



US00D918725S

(12) **United States Design Patent** (10) **Patent No.:** **US D918,725 S**
Milmore et al. (45) **Date of Patent:** **** May 11, 2021**

(54) **CONTAINER**
(71) Applicant: **Cafe Vittoria, Inc.**, Princeton, NJ (US)
(72) Inventors: **Julia Milmore**, Cornwall, NY (US);
Sonia Villiard,
Saint-Denis-de-Brompton (CA)
(73) Assignee: **CAFE VITTORIA INC.**, Princeton, NJ
(US)
(**) Term: **15 Years**
(21) Appl. No.: **29/720,227**
(22) Filed: **Jan. 10, 2020**
(51) **LOC (13) Cl.** **09-01**
(52) **U.S. Cl.**
USPC **D9/542; D9/556**
(58) **Field of Classification Search**
USPC D9/440, 443, 447, 516, 520, 523-528,
D9/530-543, 550, 551, 552, 554, 556,
D9/558, 563, 428, 573-575, 564, 522,
D9/529; D7/396.2, 507, 509, 510, 511,
D7/532, 533, 608, 631-634; D3/202;
D6/518, 523, 734
CPC B65D 1/0223; B65D 2543/00296; B65D
2543/00092; B65D 2543/00537; B65D
2501/0081; B65D 23/10; B65D 23/102;
A47J 43/27
See application file for complete search history.

(56) **References Cited**
U.S. PATENT DOCUMENTS
D303,762 S * 10/1989 Cardinal D9/542
D444,067 S * 6/2001 Goettner D9/543
D462,012 S 8/2002 Manderfield
D464,879 S 10/2002 Meeker et al.
D465,153 S 11/2002 Meeker et al.
D473,142 S 4/2003 Beaver
D476,898 S 7/2003 Schuller et al.

D480,312 S 10/2003 Mungur et al.
D480,974 S 10/2003 Blank
D483,269 S 12/2003 Walsh et al.
D505,331 S * 5/2005 Lane D9/542
D507,184 S 7/2005 Beaver et al.
D511,101 S 11/2005 Nottingham et al.
D527,271 S 8/2006 Heisner et al.
D528,919 S 9/2006 Kipperman et al.
D530,616 S 10/2006 Kipperman et al.
D542,099 S * 5/2007 George D9/531
D551,026 S * 9/2007 Morgan D9/542
D553,446 S 10/2007 Yang et al.
D556,056 S * 11/2007 Thomas D9/529
D560,440 S * 1/2008 George D9/531
D567,089 S 4/2008 Glydon et al.
D568,155 S 5/2008 Glydon et al.
(Continued)

FOREIGN PATENT DOCUMENTS

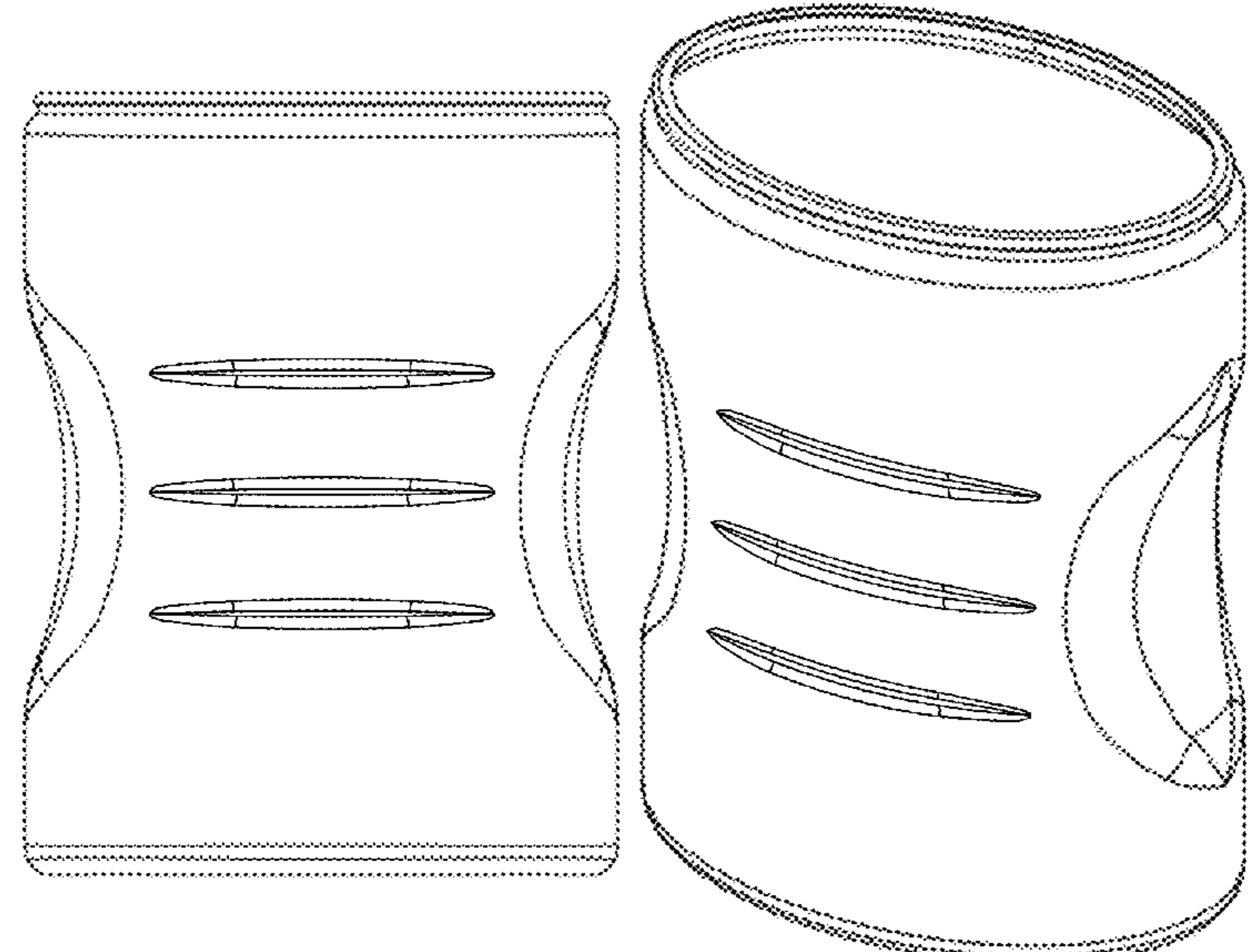
WO D045565-001 * 12/1998
Primary Examiner — Brett Miller
Assistant Examiner — Rani J Abdallah
(74) *Attorney, Agent, or Firm* — Wei & Sleman LLP

(57) **CLAIM**
The ornamental design for a container, as shown and described.

DESCRIPTION

FIG. 1 is a front view of a container showing our new design;
FIG. 2 is a back view thereof;
FIG. 3 is a right side view thereof;
FIG. 4 is a left side view thereof;
FIG. 5 is a top plan view thereof;
FIG. 6 is a bottom view thereof; and,
FIG. 7 is a front perspective view.
It is noted that any broken line illustration of environmental structure in the drawing is not part of the claimed design.

1 Claim, 4 Drawing Sheets



(56)

References Cited

U.S. PATENT DOCUMENTS

D577,259 S	9/2008	Seum et al.	
D580,764 S	11/2008	Shale	
D582,783 S *	12/2008	Little	D9/556
D586,222 S	2/2009	Little et al.	
D586,223 S	2/2009	Little et al.	
D588,008 S	3/2009	Flanagan-Kent et al.	
D591,600 S	5/2009	Dorn et al.	
D604,502 S *	11/2009	Lee	D9/542
D606,737 S *	12/2009	Lee	D9/542
D623,064 S *	9/2010	Salmon	D9/539
D623,954 S	9/2010	Hawry et al.	
D625,194 S	10/2010	Thierjung et al.	
D626,326 S *	11/2010	Verdura	D9/529
D640,926 S *	7/2011	Turchi	D9/529
D641,246 S	7/2011	Maas et al.	
D643,730 S *	8/2011	Booth	D9/541
D643,731 S *	8/2011	Booth	D9/541
D646,173 S *	10/2011	Venkataraman	D9/541
D646,577 S *	10/2011	Turchi	D9/539
D649,468 S *	11/2011	Kissinger	D9/550
D657,684 S *	4/2012	Venkataraman	D9/541
D668,509 S	10/2012	Beugelsdijk et al.	
D679,194 S	4/2013	Green	
D697,406 S	1/2014	Peacock	
D706,637 S *	6/2014	James	D9/529
D707,563 S *	6/2014	James	D9/542
D708,066 S *	7/2014	Peacock	D9/542
D710,204 S *	8/2014	James	D9/529
D716,660 S	11/2014	Quinones et al.	
D745,400 S	12/2015	Canuto	
D759,490 S *	6/2016	Cetnar	D9/542
D768,494 S	10/2016	Li	
D773,301 S	12/2016	Li	
D779,332 S	2/2017	Zuzelski et al.	
D781,153 S *	3/2017	Blake	D9/529
D788,592 S *	6/2017	Shaver	D9/542
D812,479 S	3/2018	Li	
D813,044 S	3/2018	Annetts et al.	
D814,934 S *	4/2018	Jasso Gomez	D9/543
D814,935 S *	4/2018	Ungrady	D9/542
D846,396 S	4/2019	Robling et al.	
D850,265 S	6/2019	Robling et al.	
D875,535 S *	2/2020	Schlies	D9/540
D879,617 S *	3/2020	Lohl	D9/542

* cited by examiner

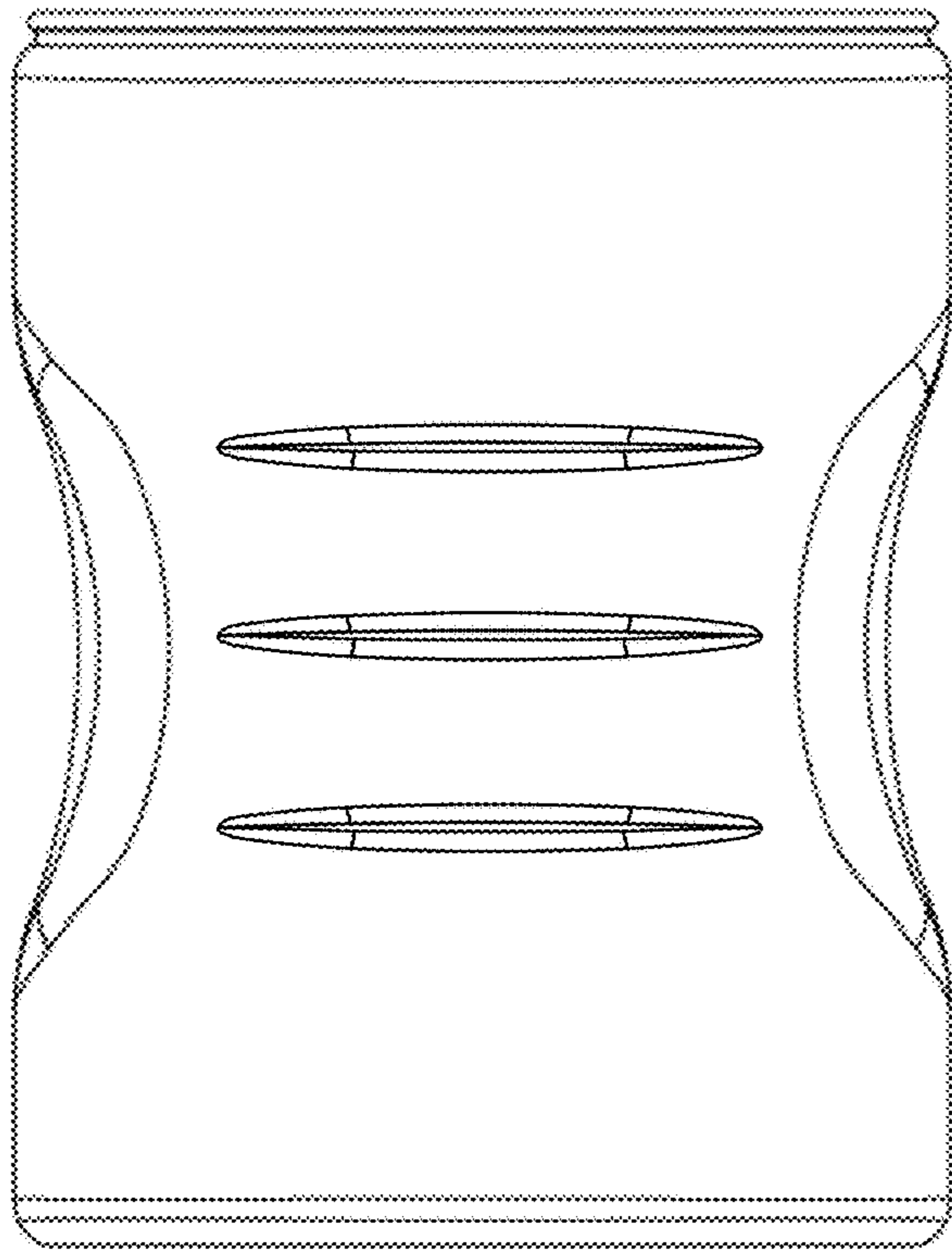


FIG. 1

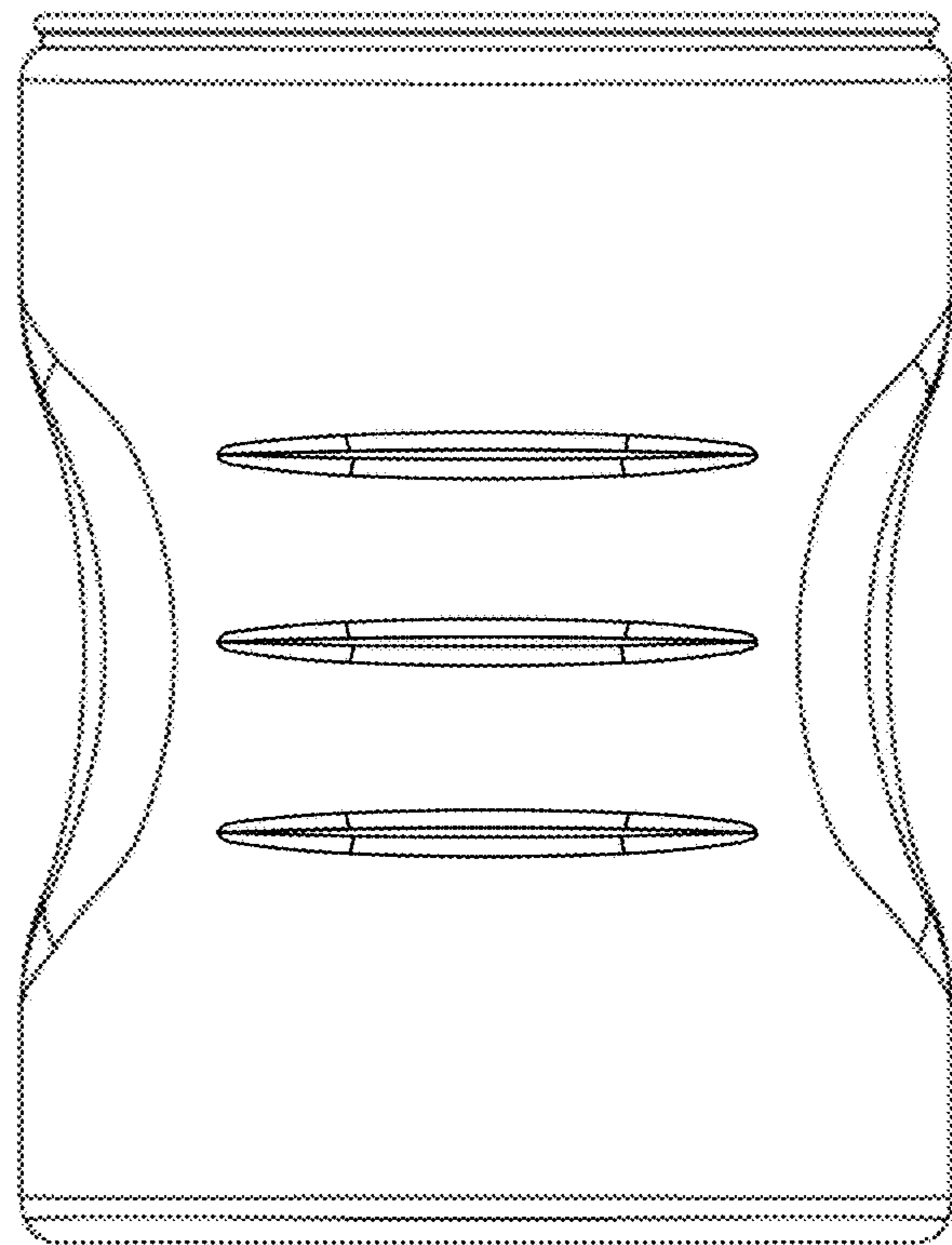


FIG. 2

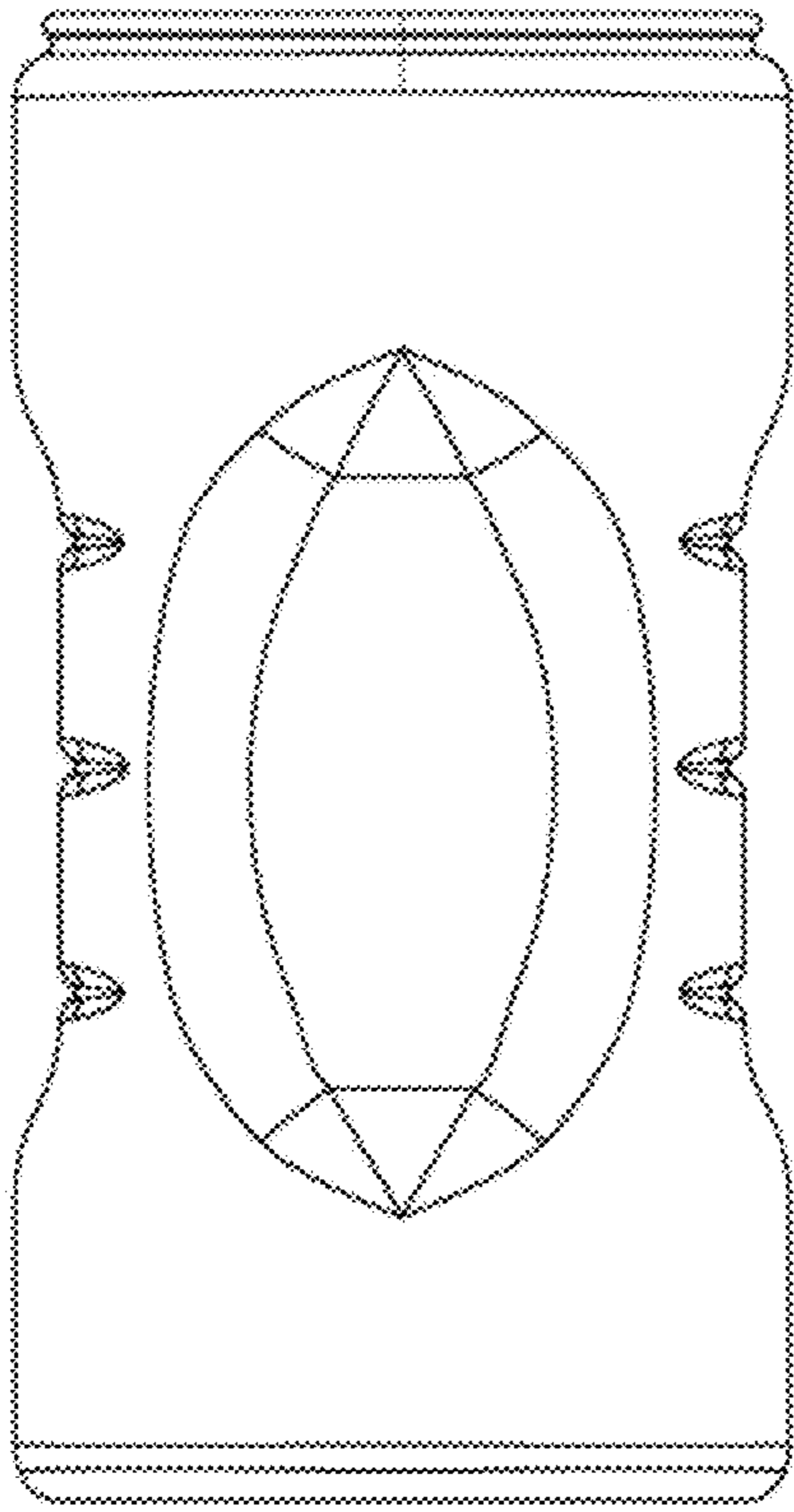


FIG. 3

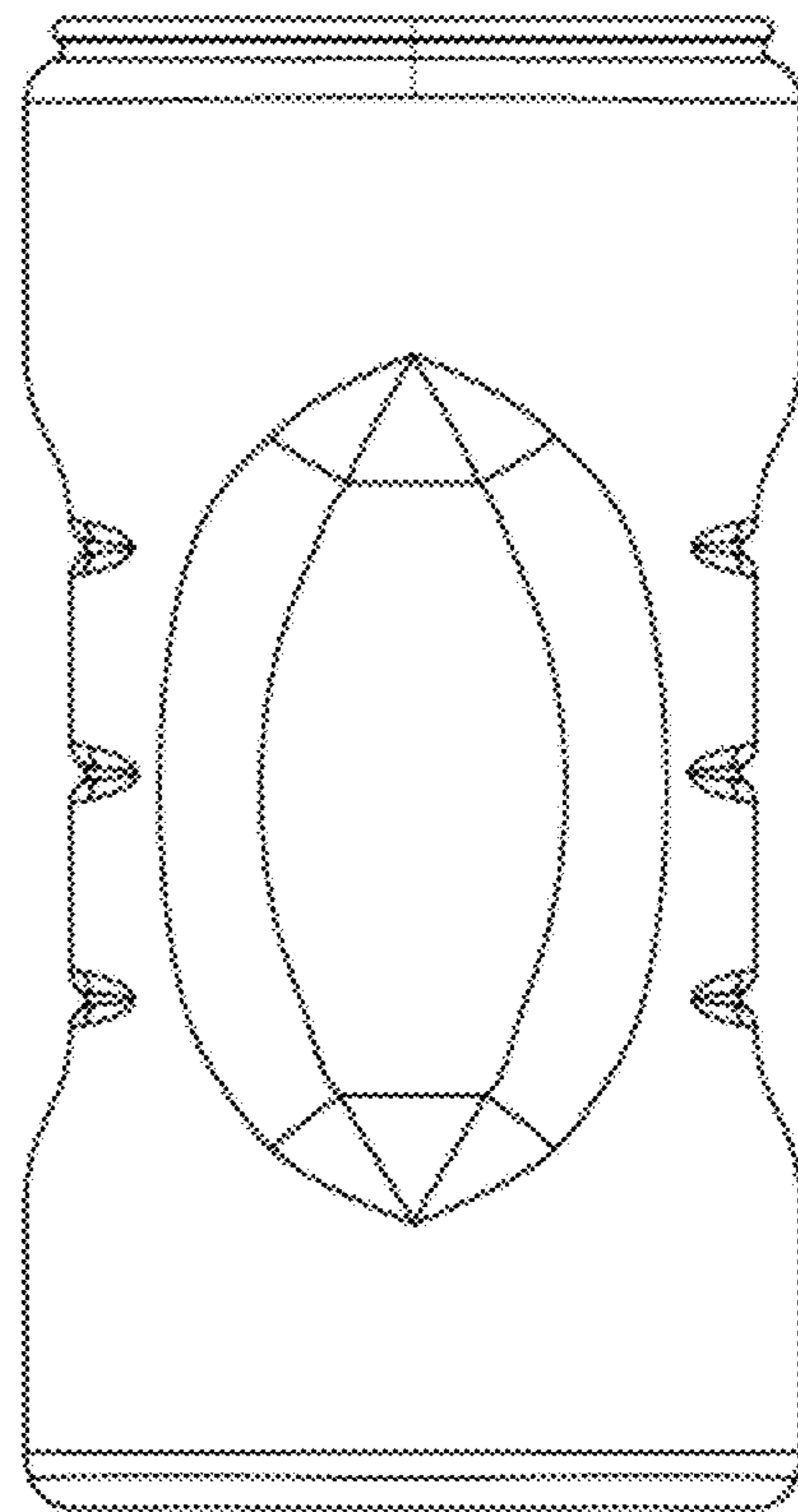


FIG. 4

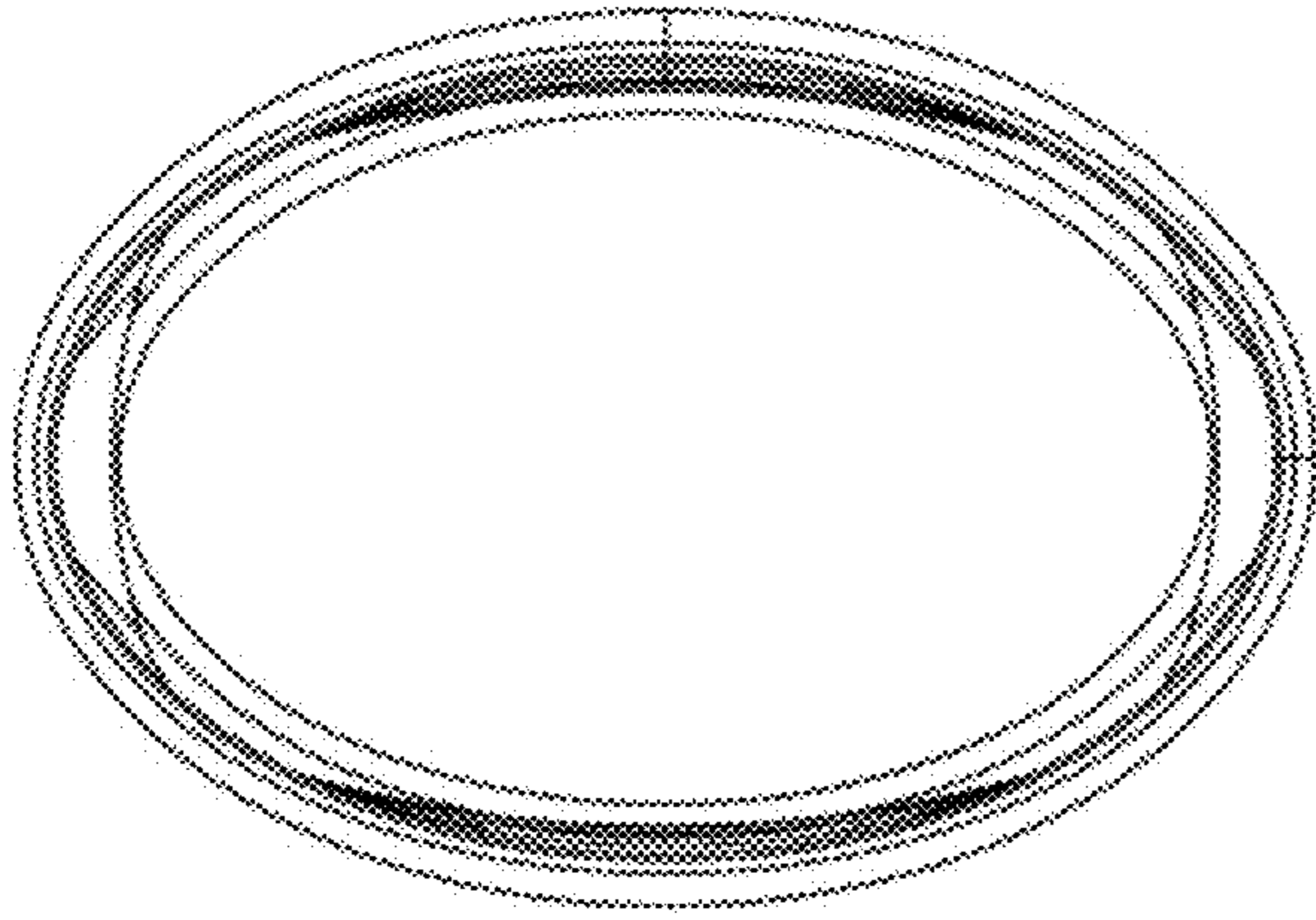


FIG. 5

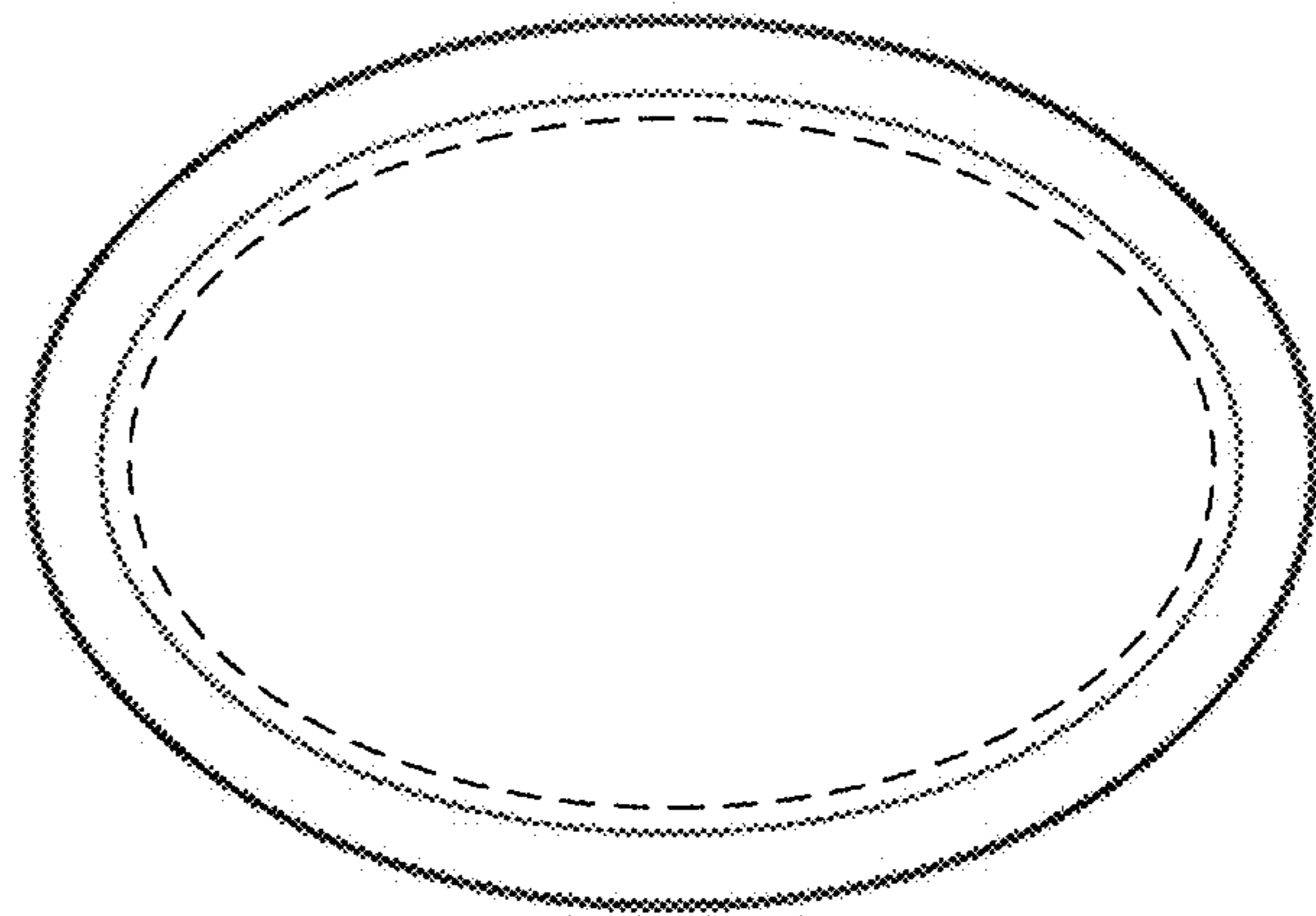


FIG. 6

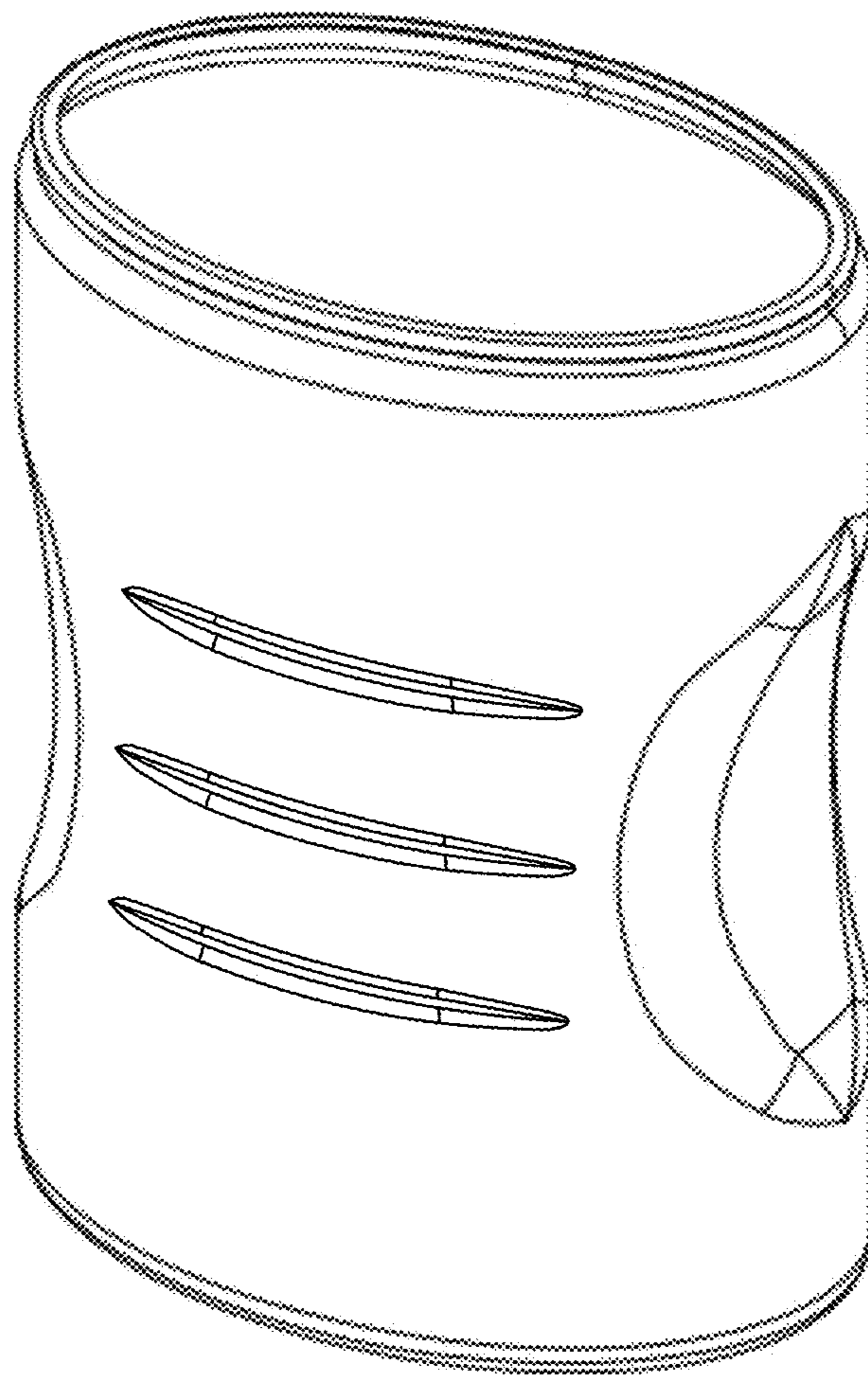


FIG. 7