



US00D918724S

(12) **United States Design Patent**
Druart

(10) **Patent No.:** **US D918,724 S**

(45) **Date of Patent:** **** May 11, 2021**

- (54) **BOTTLE**
- (71) Applicant: **Industries Lassonde Inc.**, Rougemont (CA)
- (72) Inventor: **Fabien Druart**, Duluth, GA (US)
- (73) Assignee: **Industries Lassonde Inc.**, Rougemont (CA)
- (**) Term: **15 Years**
- (21) Appl. No.: **29/684,914**

D456,272 S *	4/2002	Sadeghi	D9/560
D457,437 S *	5/2002	Sadeghi	D9/530
D458,146 S *	6/2002	Sadeghi	D9/560
D460,695 S *	7/2002	Sadeghi	D9/530
D525,141 S *	7/2006	Beard	D9/560
D526,209 S *	8/2006	Beard	D9/560
D526,210 S *	8/2006	Beard	D9/560
D526,905 S *	8/2006	Beard	D9/560
D539,158 S *	3/2007	Miller	D9/541
D539,159 S *	3/2007	Slat	D9/541
D573,031 S *	7/2008	Hestehave	D9/542
D577,593 S *	9/2008	Hestehave	D9/541
D578,007 S *	10/2008	Hestehave	D9/453
D578,399 S *	10/2008	Hestehave	D9/452
D579,338 S *	10/2008	Hestehave	D9/452

(Continued)

- (22) Filed: **Mar. 25, 2019**
- (51) **LOC (13) Cl.** **09-01**
- (52) **U.S. Cl.**
USPC **D9/542; D9/453; D9/530; D9/543**
- (58) **Field of Classification Search**
USPC D9/522, 531, 540, 516, 565, 542, 520, D9/552, 538, 557, 560, 543, 528, 556, D9/574, 541, 575, 545, 454, 559, 502, D9/532, 434, 443, 450, 453; 215/382, 215/384, 396
CPC B65D 1/0223; B65D 2501/0036; B65D 2501/0081; B65D 79/005; B65D 23/102; B65D 2501/0027; B65D 2501/0018; B65D 1/44; B65D 23/10; B65D 2501/0045

See application file for complete search history.

(56) **References Cited**

U.S. PATENT DOCUMENTS

D217,129 S *	4/1970	Beeby	D9/541
D236,587 S *	9/1975	Kretz	D9/541
D237,946 S *	12/1975	Pardo	D9/542
D352,461 S *	11/1994	Flanagan	D9/542
D380,686 S *	7/1997	Allen	D9/523
D405,695 S *	2/1999	Zelmo	D9/453
D426,464 S *	6/2000	Mohary	D9/520
D442,089 S *	5/2001	Sadeghi	D9/452
D453,473 S *	2/2002	Del Bianco	D9/453

OTHER PUBLICATIONS

House Orange Drink, Jun. 20, 2019, PapaPopote.ca, URL: <https://www.papapopote.ca/article/boisson-orange-maison-ou-melange-de-jus-oasis-collection-nature-165-175-I-du-20-au-26-juin-2019/> (Year: 2019).*

Primary Examiner — Brett Miller

Assistant Examiner — Rani J Abdallah

(74) *Attorney, Agent, or Firm* — Quarles & Brady LLP

(57) **CLAIM**

The ornamental design for a bottle, as shown and described.

DESCRIPTION

FIG. 1 is a top, front, left perspective view of a bottle showing a new design;

FIG. 2 is a front elevational view thereof which is identical to a rear elevational view thereof;

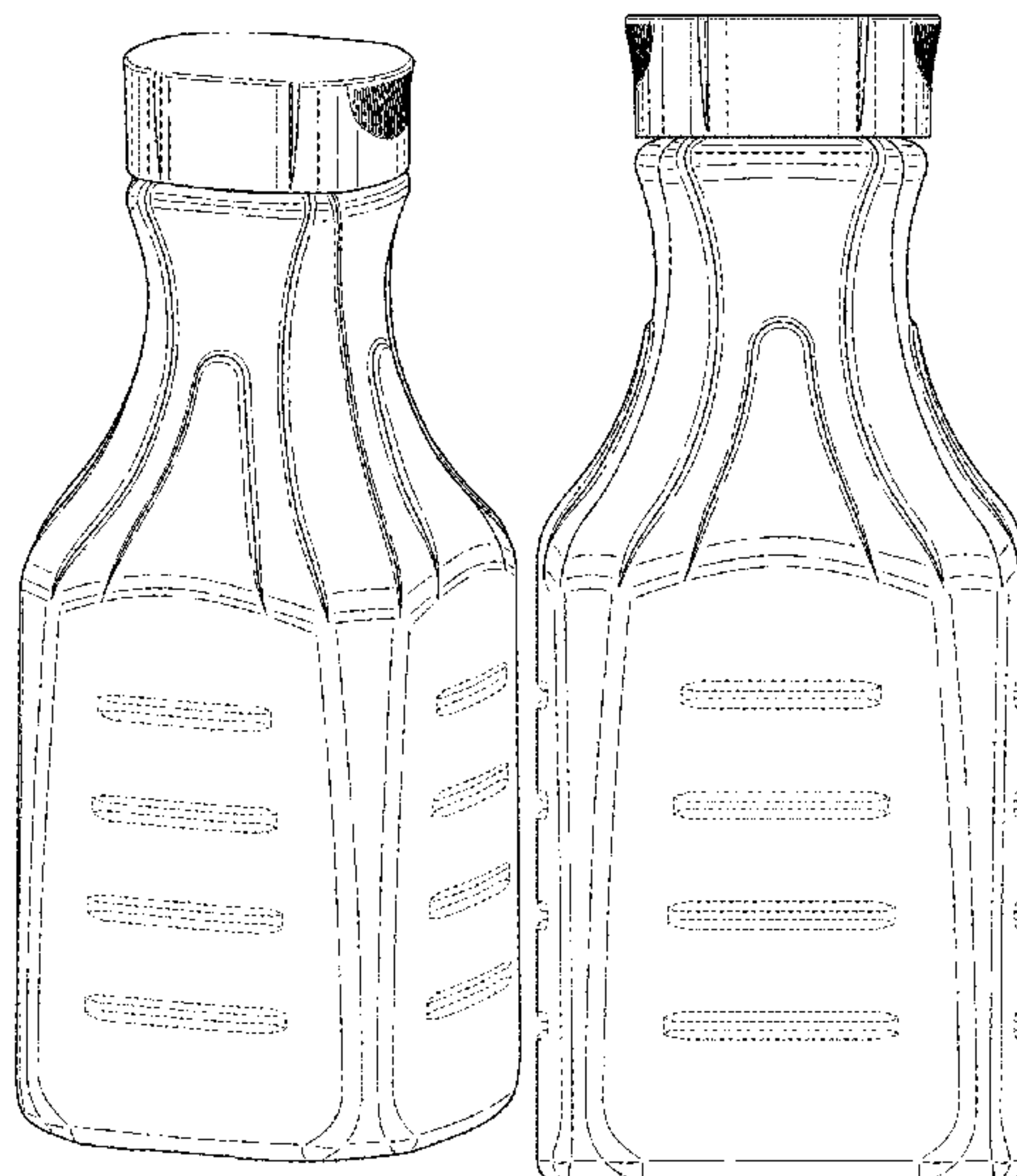
FIG. 3 is a left side elevational view thereof which is identical to a right side elevational view thereof;

FIG. 4 is a top plan view thereof; and,

FIG. 5 is a bottom plan view thereof.

The broken lines illustrate portions of the bottle that form no part of the claimed design.

1 Claim, 4 Drawing Sheets



(56)

References Cited

U.S. PATENT DOCUMENTS

D588,463	S *	3/2009	Forget	D9/542
D610,015	S *	2/2010	Yourist	D9/538
D628,483	S *	12/2010	McKinney	D9/453
D634,195	S *	3/2011	McKinney	D9/453
D634,200	S *	3/2011	Taber	D9/453
D659,006	S *	5/2012	Wiescinski	D9/542
D666,915	S *	9/2012	Wiescinski	D9/541
D666,916	S *	9/2012	Enciso	D9/541
D667,731	S *	9/2012	Enciso	D9/541
D671,415	S *	11/2012	Enciso	D9/541
D674,284	S *	1/2013	Harris	D9/520
D674,702	S *	1/2013	Harris	D9/520
D676,329	S *	2/2013	Yourist	D9/541
D680,003	S *	4/2013	Desjardins	D9/560
D691,893	S *	10/2013	Finlay	D9/658
D756,221	S *	5/2016	Koop	D9/453
D849,551	S *	5/2019	Kelley	D9/560
D850,275	S *	6/2019	Kelley	D9/574
10,723,504	B2 *	7/2020	Joshi	B65D 1/0223
2004/0104195	A1 *	6/2004	Yourist	B65D 41/0471 215/379

* cited by examiner

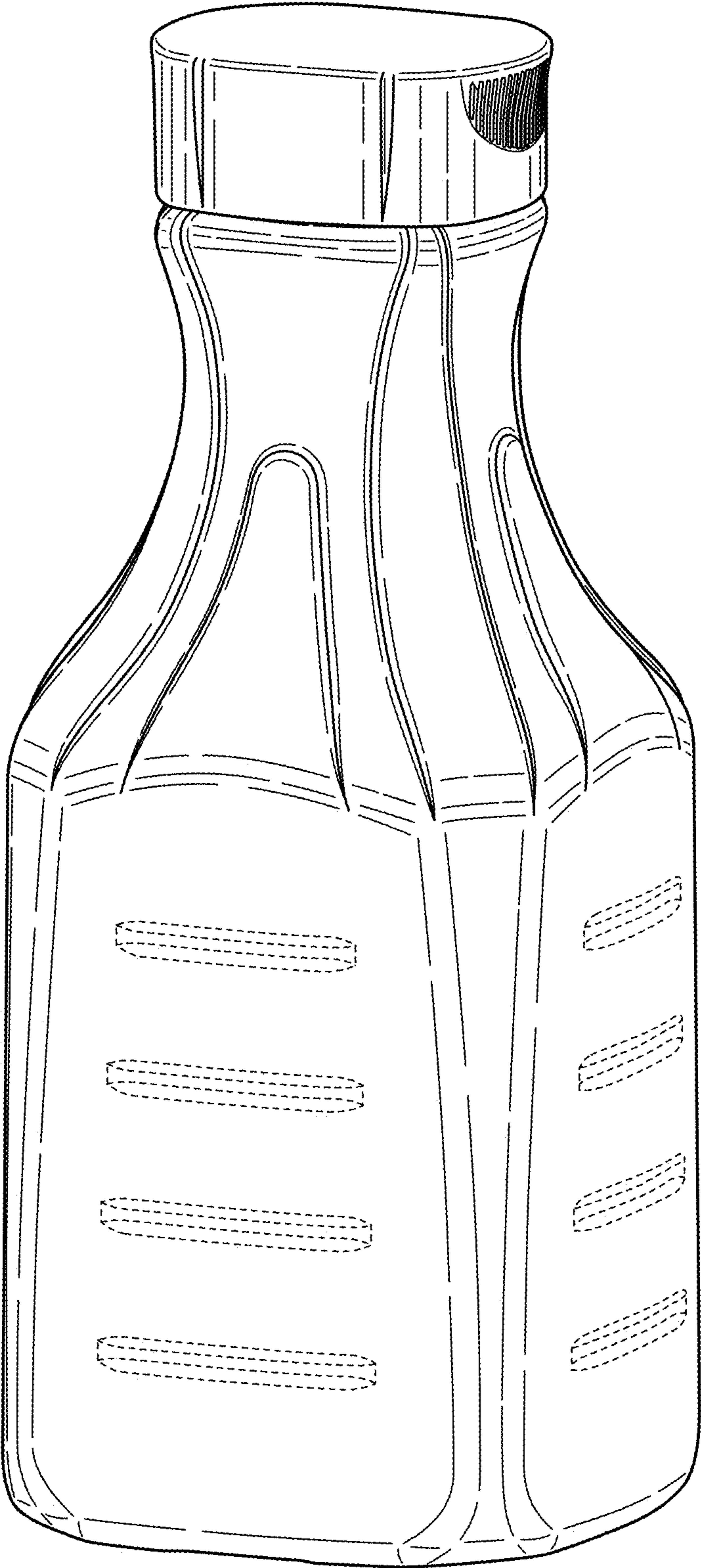


FIG. 1

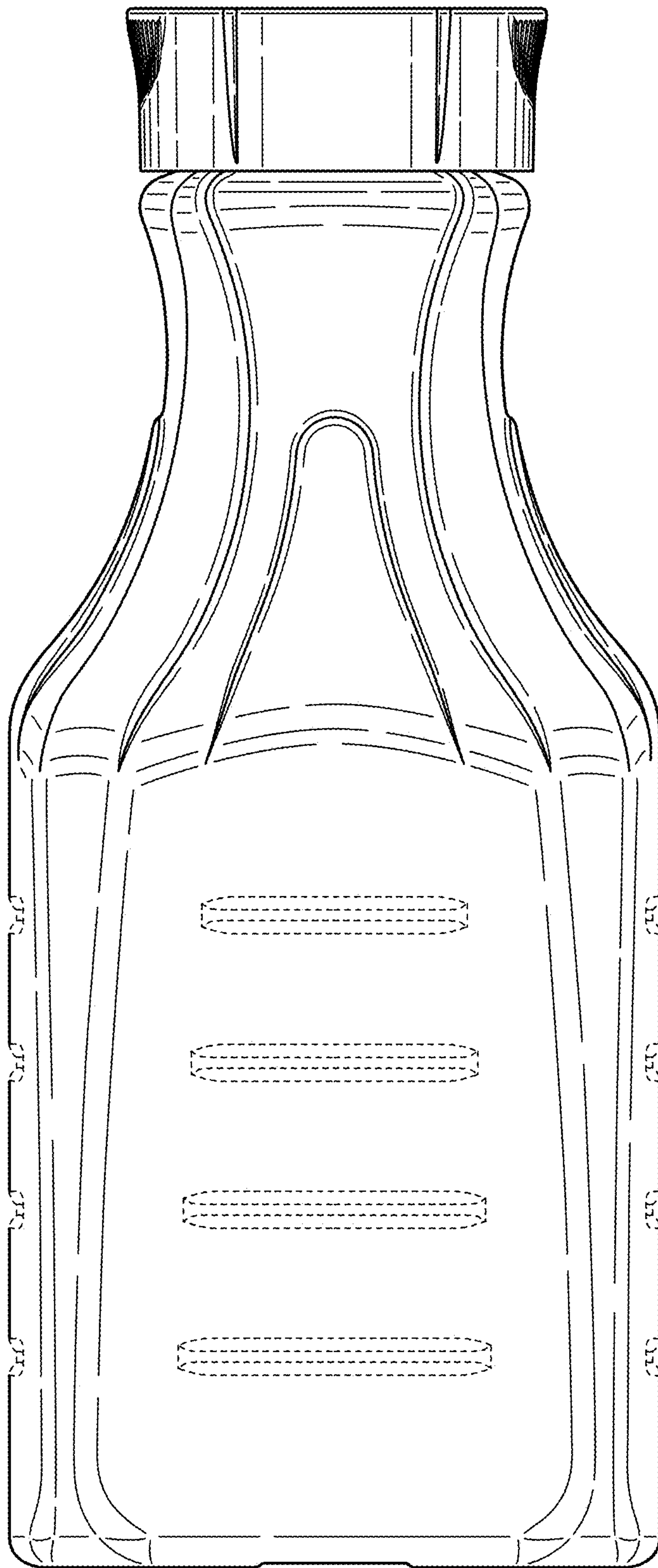


FIG. 2

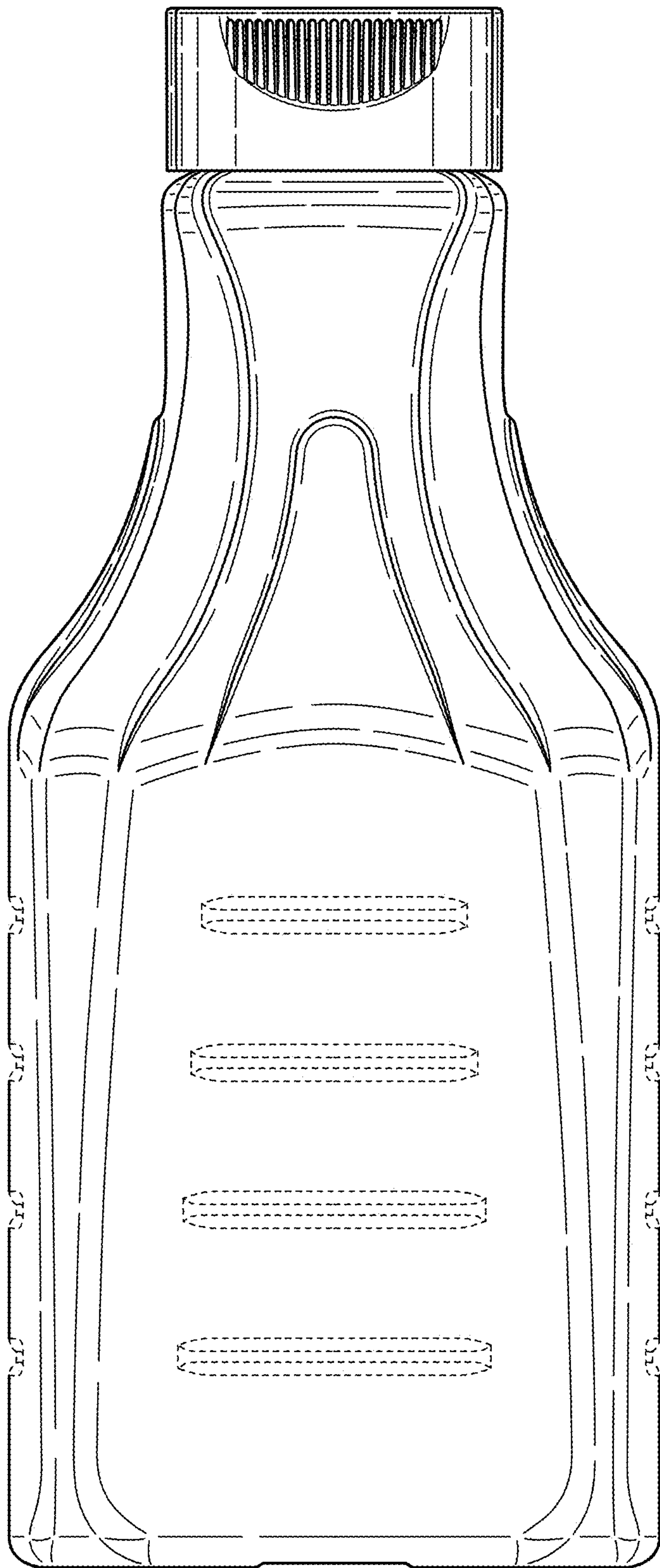


FIG. 3

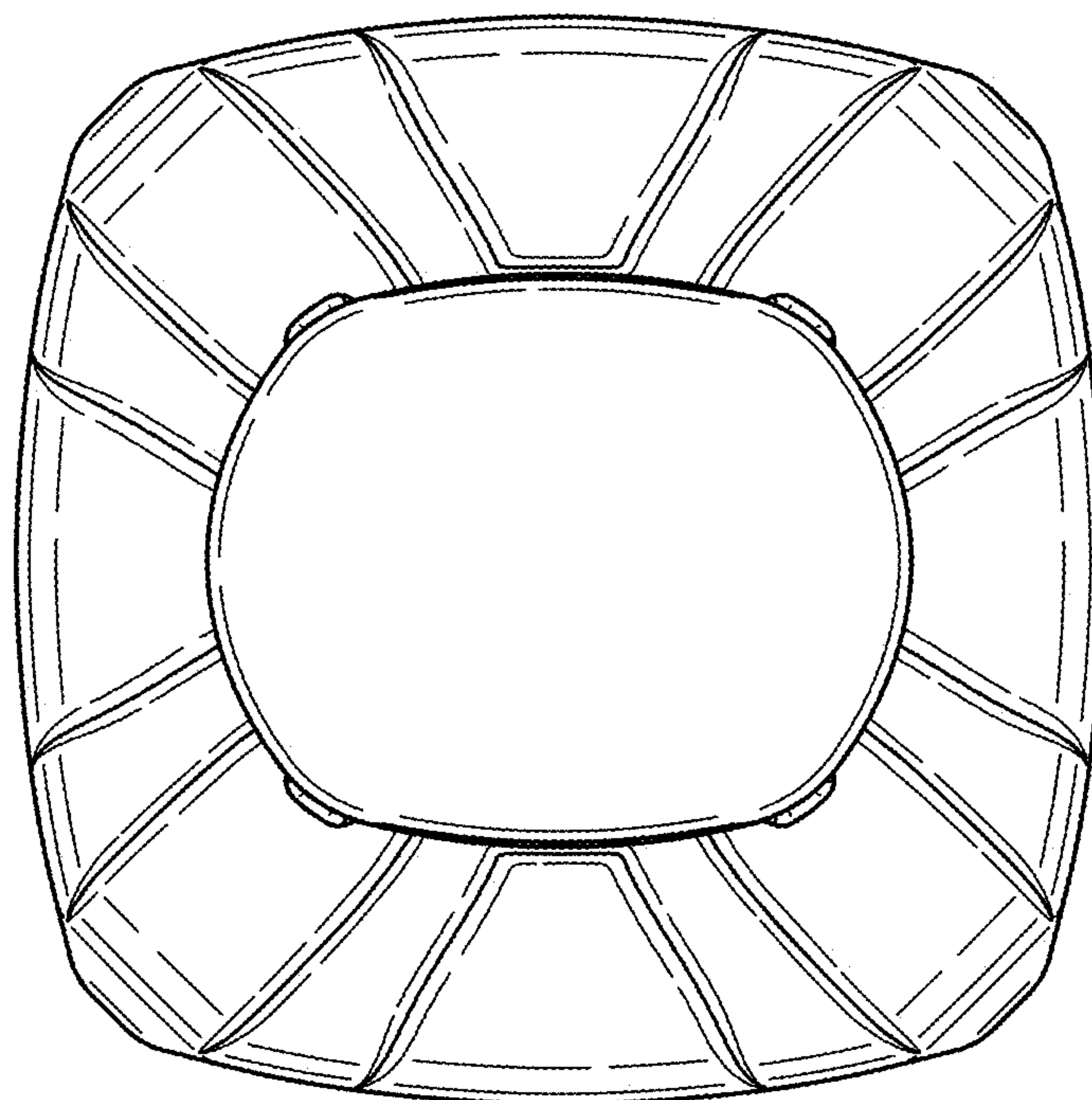


FIG. 4

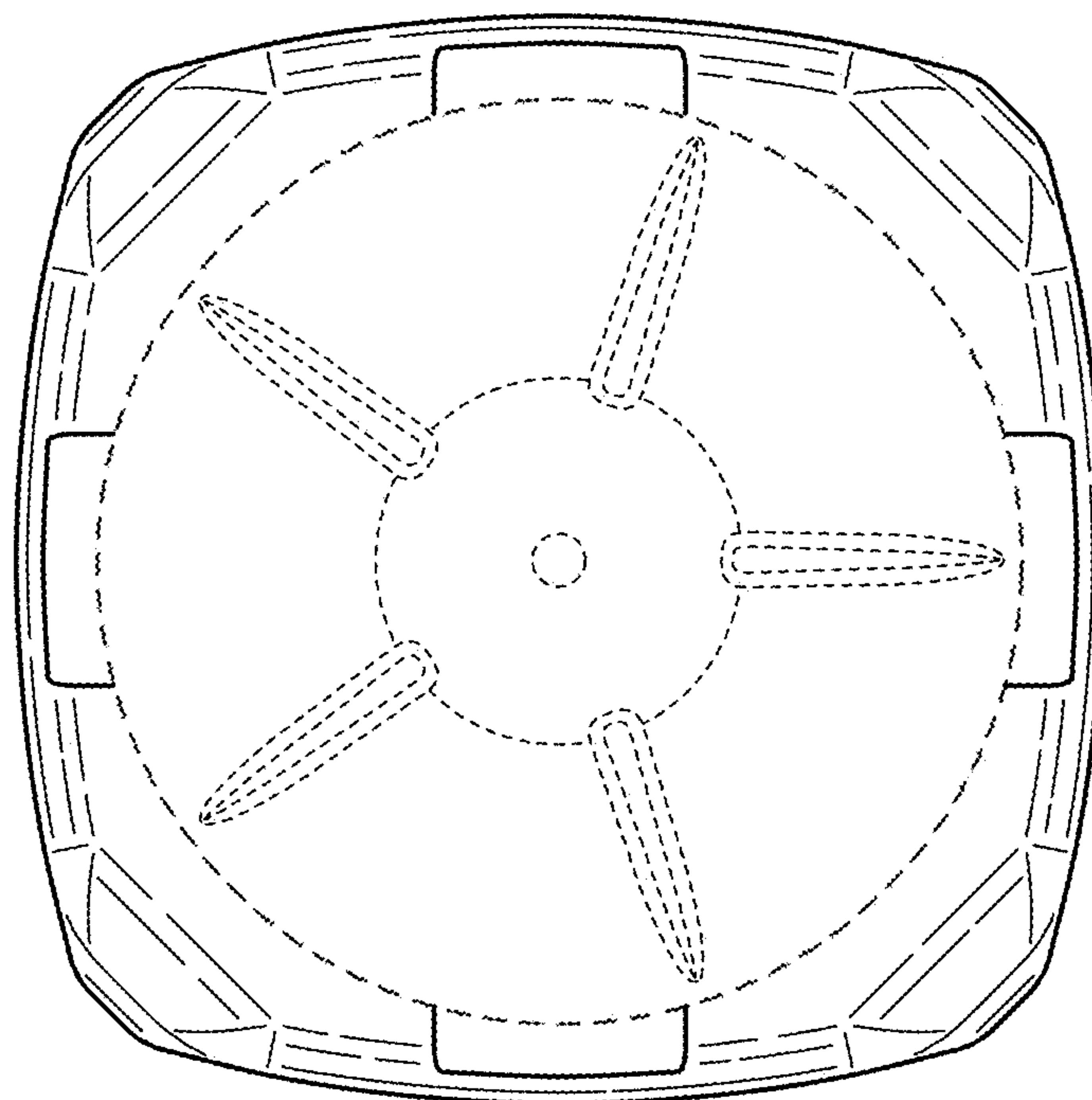


FIG. 5