



US00D918722S

(12) **United States Design Patent** (10) **Patent No.:** **US D918,722 S**
Scott (45) **Date of Patent:** **** May 11, 2021**

(54) **FLASK WITH PANTS POCKET**
(71) Applicant: **ST&T International, Inc.**, Zephyr Cove, NV (US)
(72) Inventor: **Michael Scott**, Zephyr Cove, NV (US)
(73) Assignee: **ST&T INTERNATIONAL, INC.**, Zephyr Cove, NV (US)
(**) Term: **15 Years**

D718,044 S * 11/2014 Vargo D3/202
D720,620 S * 1/2015 Gerard D9/522
D730,317 S * 5/2015 Silvera D14/207
D736,517 S * 8/2015 Lee D3/202
D746,261 S * 12/2015 Silvera D14/207
D755,631 S * 5/2016 Mather D28/91.1
D758,868 S * 6/2016 Bretschneider D9/520
D770,229 S * 11/2016 Weber D7/514
D775,530 S * 1/2017 Gayner D9/563
D786,017 S * 5/2017 Obatake D7/509
D806,379 S * 1/2018 Korfonta D3/202
D812,894 S * 3/2018 Hume D3/202

(Continued)

(21) Appl. No.: **29/691,288**
(22) Filed: **May 15, 2019**
(51) **LOC (13) Cl.** **09-01**
(52) **U.S. Cl.**
USPC **D9/522**; D3/202
(58) **Field of Classification Search**
USPC D3/201, 202; D7/509, 510, 514;
D9/516, 522, 544, 571, 631, 670
CPC A45F 3/16; A45F 3/18; A45F 2200/0583;
B65D 1/02; B65D 1/0223; B65D 43/16;
B65D 21/0231; B65D 23/102; B65D
41/04

See application file for complete search history.

(56) **References Cited**

U.S. PATENT DOCUMENTS

1,846,720 A * 2/1932 Guild B65D 39/08
222/130
D500,249 S * 12/2004 Duboeuf D9/550
D521,230 S * 5/2006 Linz D3/202
D533,185 S * 12/2006 Ishida D14/203.2
D582,789 S * 12/2008 Blinderman D9/631
D611,835 S * 3/2010 Chou Huang D9/631
D645,358 S * 9/2011 de Monclin D9/522
D653,847 S * 2/2012 Seals D3/202
D702,433 S * 4/2014 Romley D3/202
8,777,040 B2 * 7/2014 Wahl A47G 19/2266
215/237
D716,664 S * 11/2014 Canuto D9/417

OTHER PUBLICATIONS

Under Cover Flask, Flasks, Gear, sothatscool.com, published by Jenifer Castro, <https://www.sothatscool.com/2014/07/under-cover-flask.php>.*

Primary Examiner — Steven J Czyz

(74) *Attorney, Agent, or Firm* — Polsinelli PC

(57) **CLAIM**

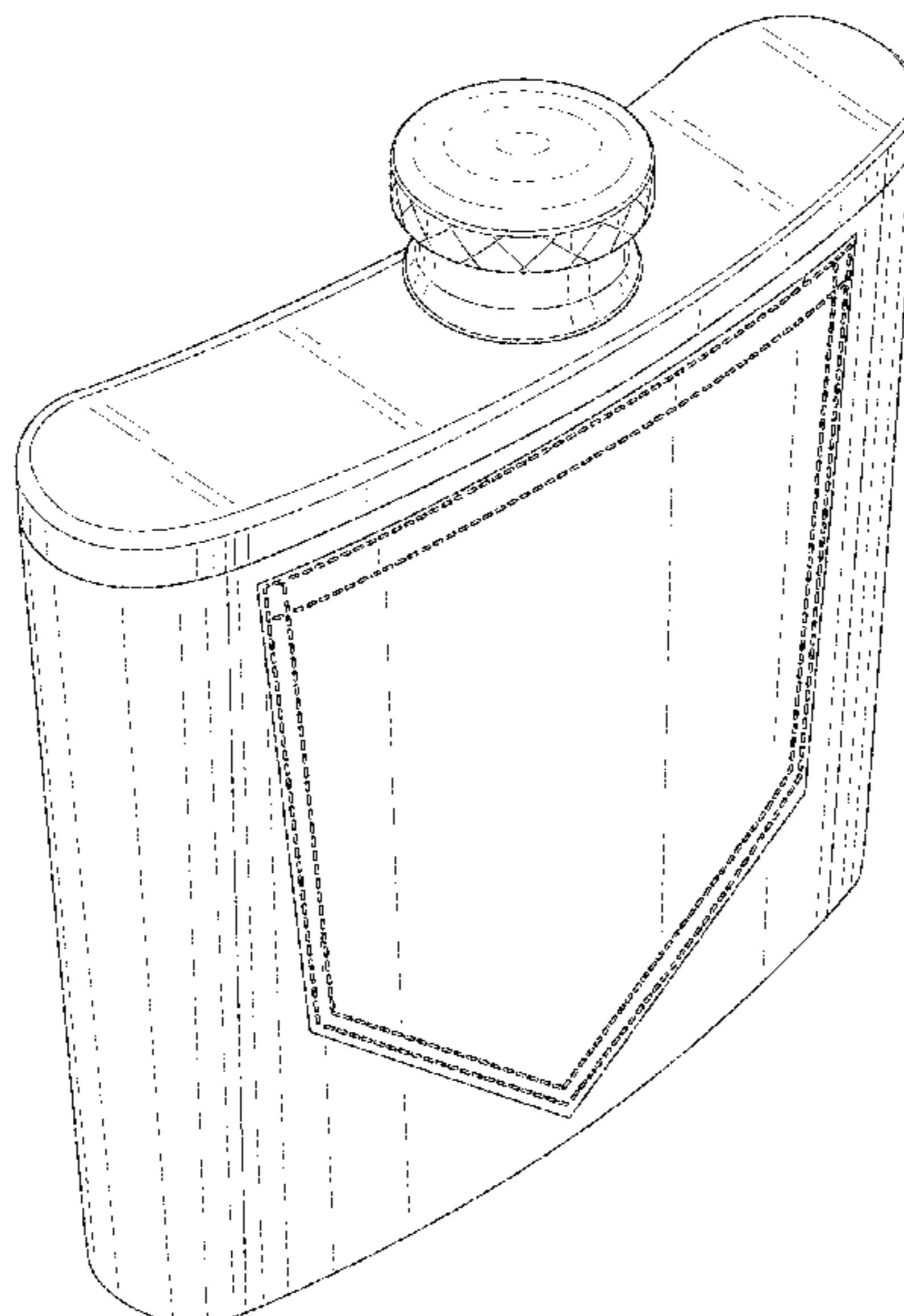
The ornamental design for a flask with pants pocket, as shown and described.

DESCRIPTION

FIG. 1 is a top perspective view of a flask with pants pocket; FIG. 2 is a front view thereof; FIG. 3 is a back view thereof; FIG. 4 is a left side view thereof; FIG. 5 is a right side view thereof; FIG. 6 is a top side view thereof; and, FIG. 7 is a bottom side view thereof.

The dashed lines show stitching in a material that surrounds the outside of the flask. The stitching defines a pattern that emulates a rear pants pocket, such as a rear jeans pocket. The dashed lines are not to be considered “broken lines” for unclaimed subject matter.

1 Claim, 7 Drawing Sheets



(56)

References Cited

U.S. PATENT DOCUMENTS

D816,983	S *	5/2018	LiCalsi	D3/202
D825,914	S *	8/2018	Dent	D3/202
D826,548	S *	8/2018	Hume	D3/202
D827,441	S *	9/2018	Jack	D9/522
D836,904	S *	1/2019	Arman	D3/202
D836,905	S *	1/2019	Kehoe	D3/202
D838,472	S *	1/2019	Gauss	D3/202
D845,777	S *	4/2019	Faillant Dumas	D9/522
D854,272	S *	7/2019	Compton	D34/2
D854,813	S *	7/2019	Urmston	D3/202
D857,374	S *	8/2019	Lane	D3/202
D876,815	S *	3/2020	Lane	D3/202
2002/0139797	A1 *	10/2002	Danze	A45F 3/16 220/4.27
2004/0020950	A1 *	2/2004	Overbay	A45F 3/18 224/148.7

* cited by examiner

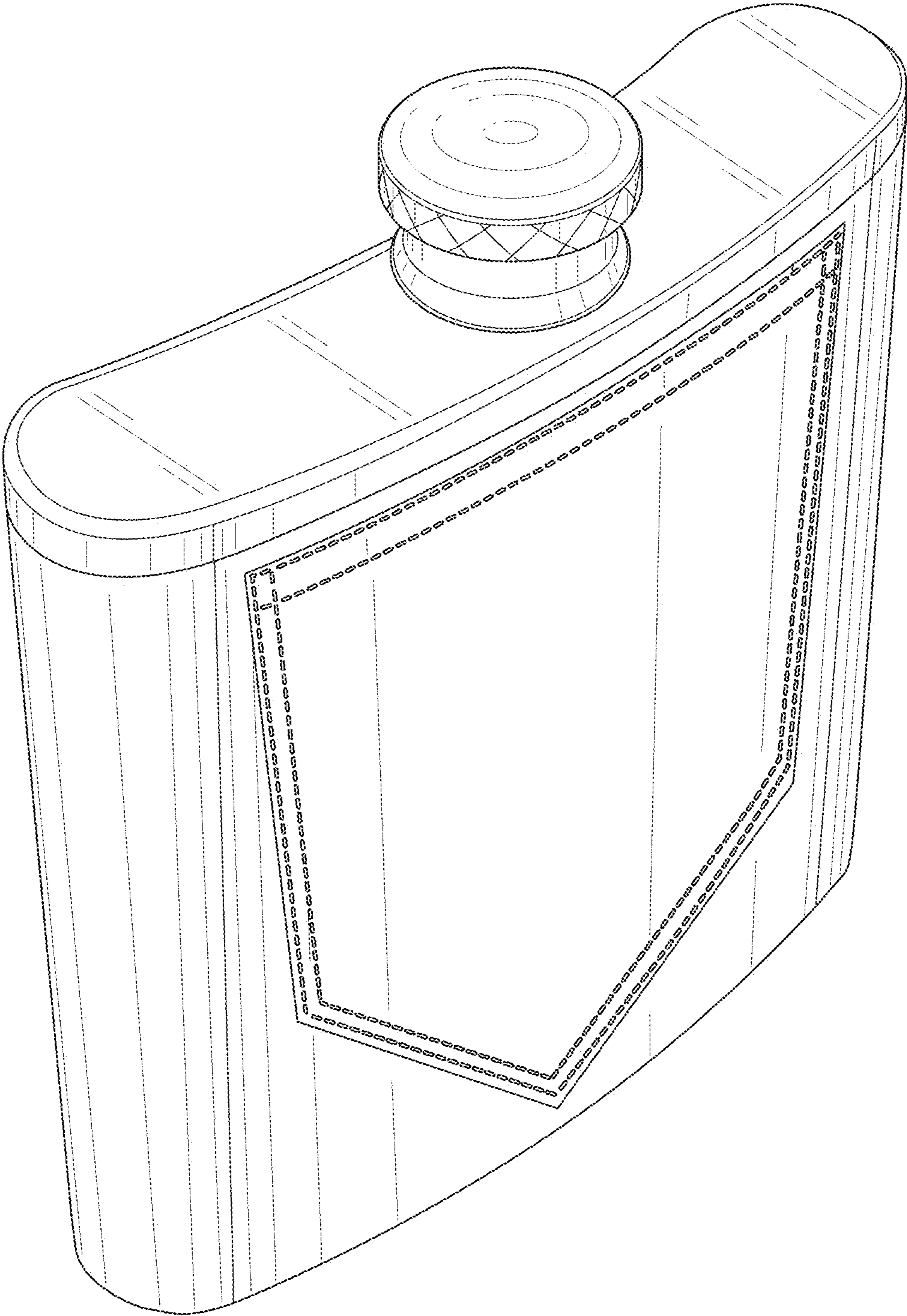


FIG. 1

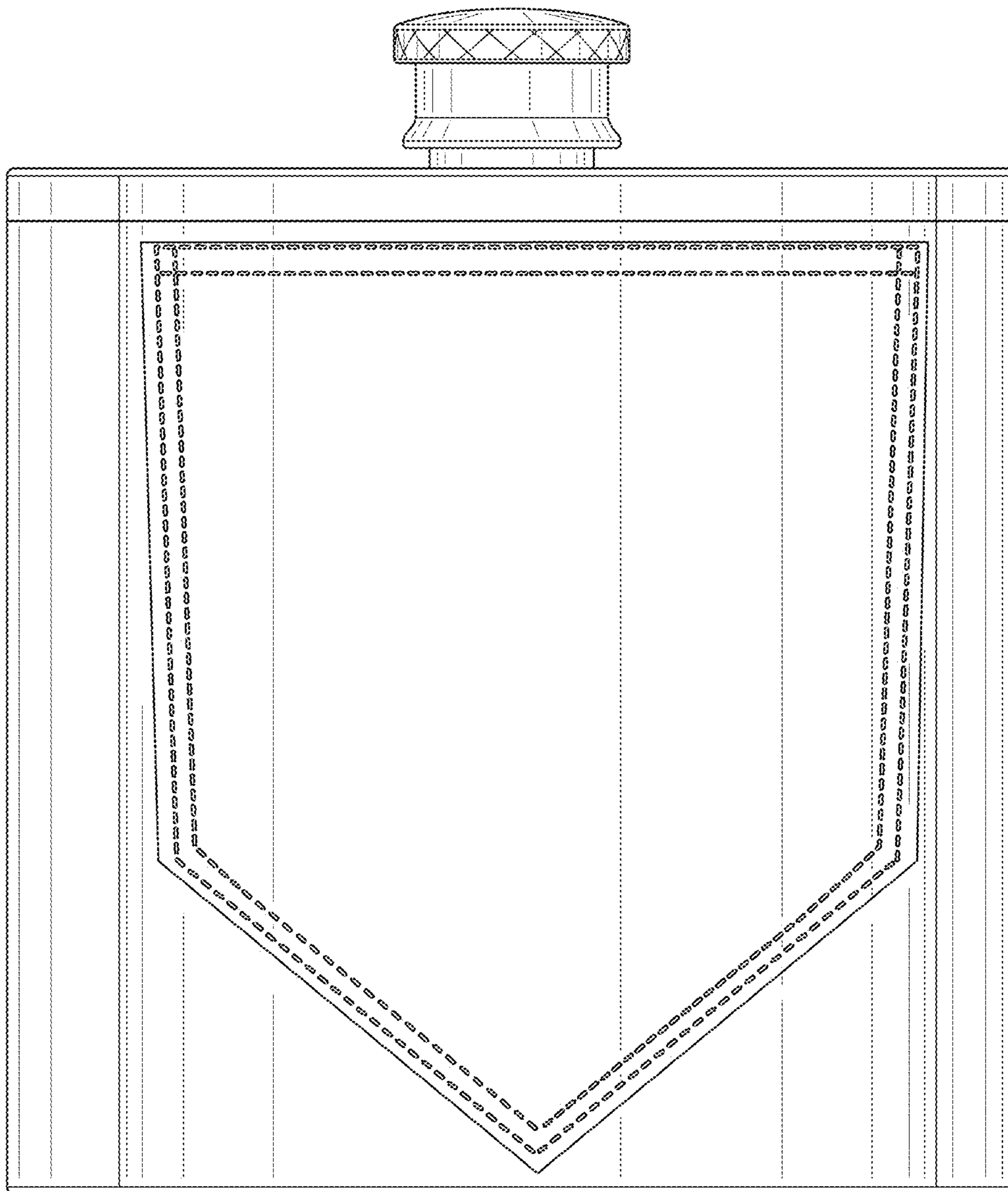


FIG. 2

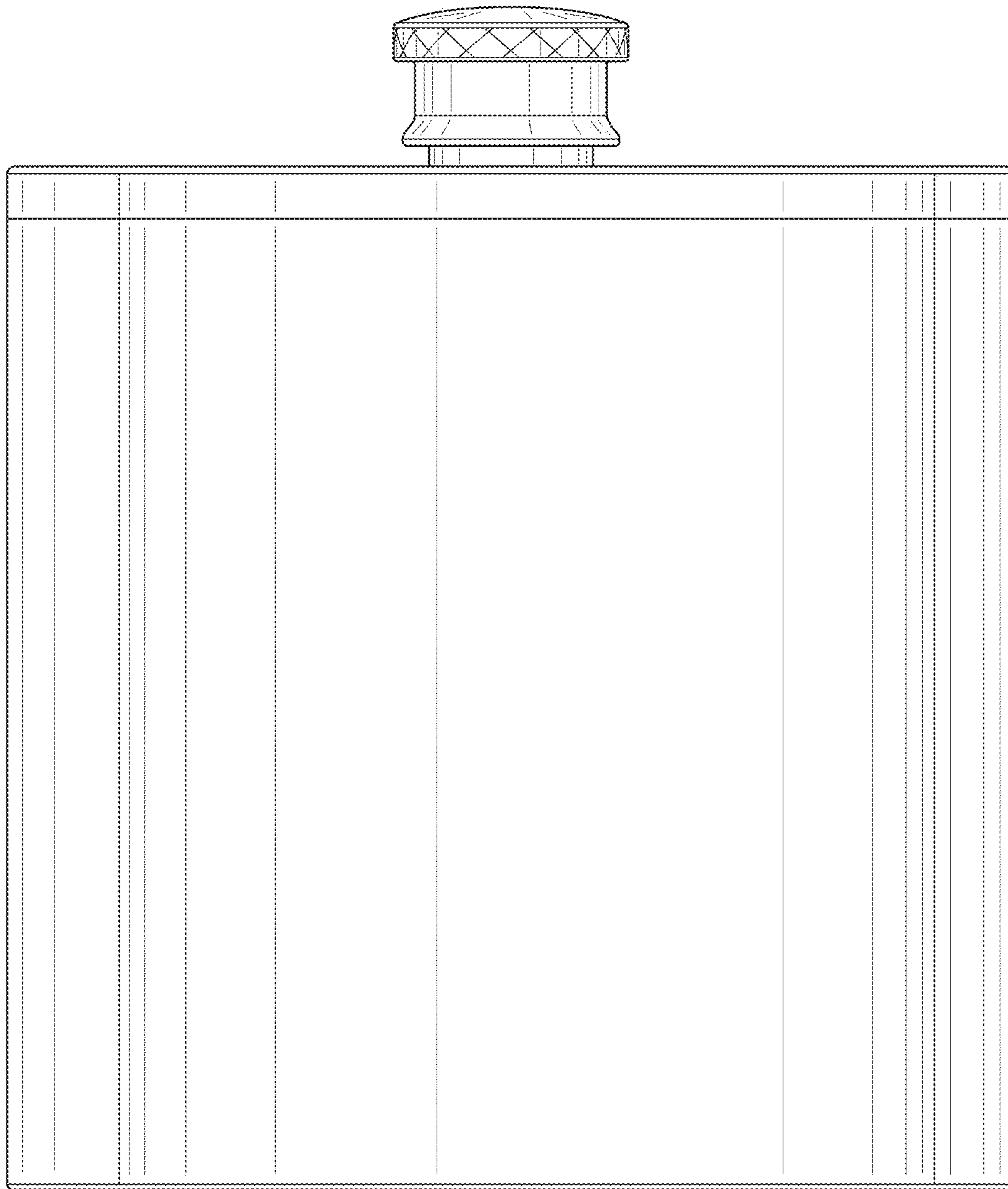


FIG. 3

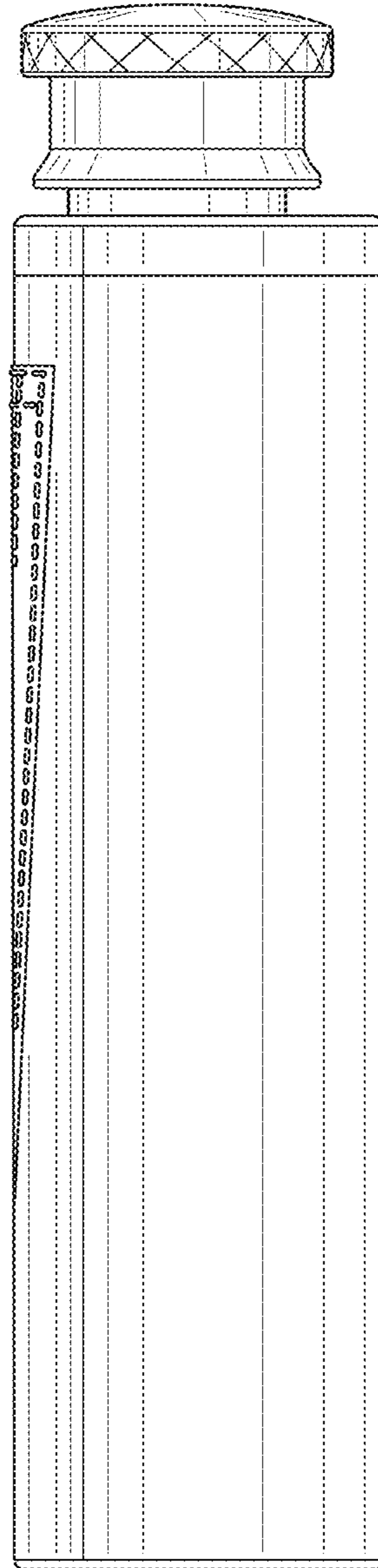


FIG. 4

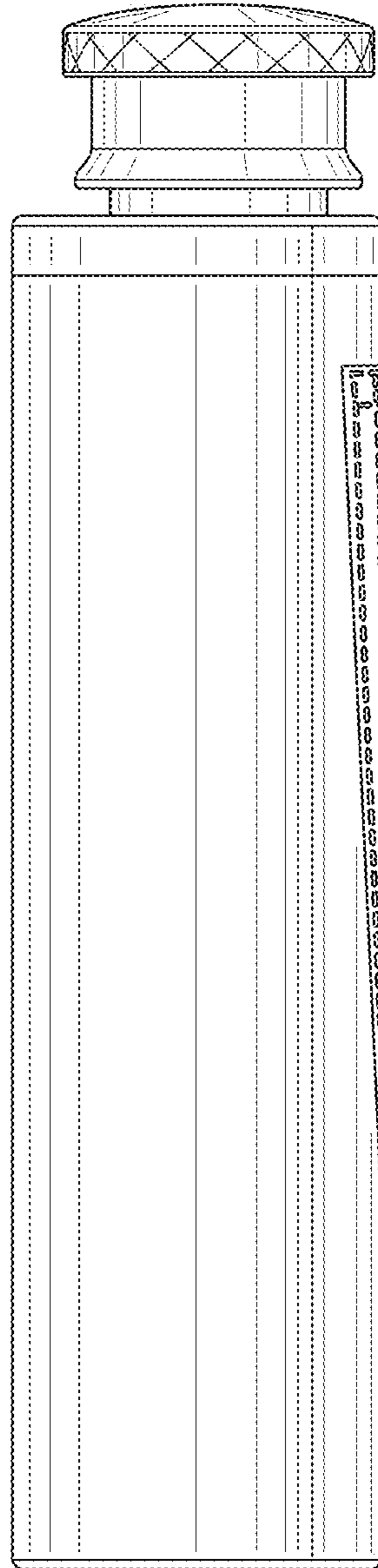


FIG. 5

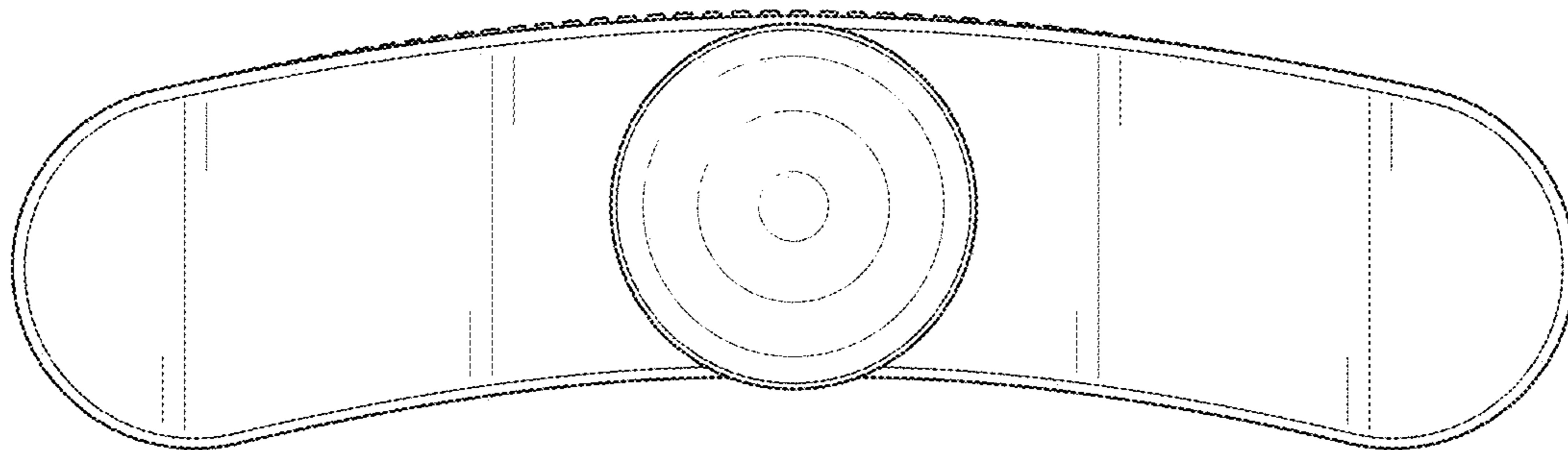


FIG. 6

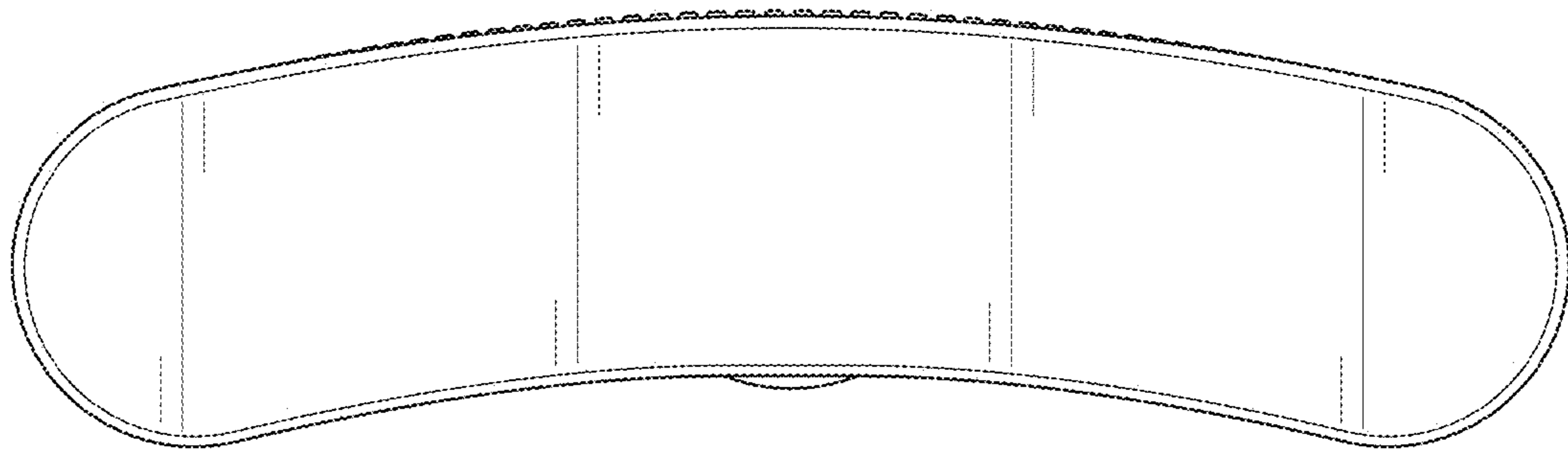


FIG. 7