



US00D918719S

(12) **United States Design Patent**
Tamarindo

(10) **Patent No.:** **US D918,719 S**

(45) **Date of Patent:** **** May 11, 2021**

- (54) **CAP**
- (71) Applicant: **GUALA PACK S.P.A.**, Castellazzo Bormida (IT)
- (72) Inventor: **Stefano Tamarindo**, Castellazzo Bormida (IT)
- (73) Assignee: **GUALA PACK S.p.A.**, Alessandria (IT)

- D627,225 S * 11/2010 Gonzalez Sanchez D9/449
- D688,946 S * 9/2013 Pirincci D9/454
- D695,613 S * 12/2013 Miranda De Araujo D9/449
- D713,723 S * 9/2014 den Boer D9/449
- D730,729 S * 6/2015 George D9/435
- D785,402 S * 5/2017 Shirley D7/392.1
- D814,235 S * 4/2018 Shirley D7/392.1
- D878,854 S * 3/2020 Lee D7/392.1
- D885,124 S * 5/2020 Yessin D7/396.2

- (**) Term: **15 Years**
- (21) Appl. No.: **35/507,900**
- (22) Filed: **Sep. 26, 2019**

- (80) **Hague Agreement Data**
- Int. Filing Date: **Sep. 26, 2019**
- Int. Reg. No.: **DM/204149**
- Int. Reg. Date: **Sep. 26, 2019**
- Int. Reg. Pub. Date: **Nov. 29, 2019**

- (30) **Foreign Application Priority Data**
- Apr. 2, 2019 (IT) 402019000000621
- (51) **LOC (13) Cl.** **09-06**
- (52) **U.S. Cl.**
- USPC **D9/446; D9/454**
- (58) **Field of Classification Search**
- USPC D7/392.1, 396.2; D9/434, 435, 440, 447, D9/449, 499, 443, 420, 437, 441, 446, D9/451, 454
- CPC A47G 21/18; A61J 7/0038; B65D 2517/0049
- See application file for complete search history.

- (56) **References Cited**
- U.S. PATENT DOCUMENTS
- D536,975 S * 2/2007 Smith D9/435
- D547,652 S * 7/2007 Kerman D9/438

OTHER PUBLICATIONS

Inside the Magic. Make Hand Washing Fun with a Magical Mickey Shaped Soap Dispenser. Mar. 19, 2020. <https://insidethemagic.net/2020/03/mickey-soap-dispenser-rwb1/> (Year: 2020).*

Shut Up and Take My Yen. Japanese Rose Shaed Soap Dispenser 223. Nov. 4, 2018. http://www.shutupandtakemyyen.com/?attachment_id=10510 (Year: 2018).*

(Continued)

Primary Examiner — Darcey E Gottschalk
 (74) *Attorney, Agent, or Firm* — Thomas | Horstemeyer, LLP

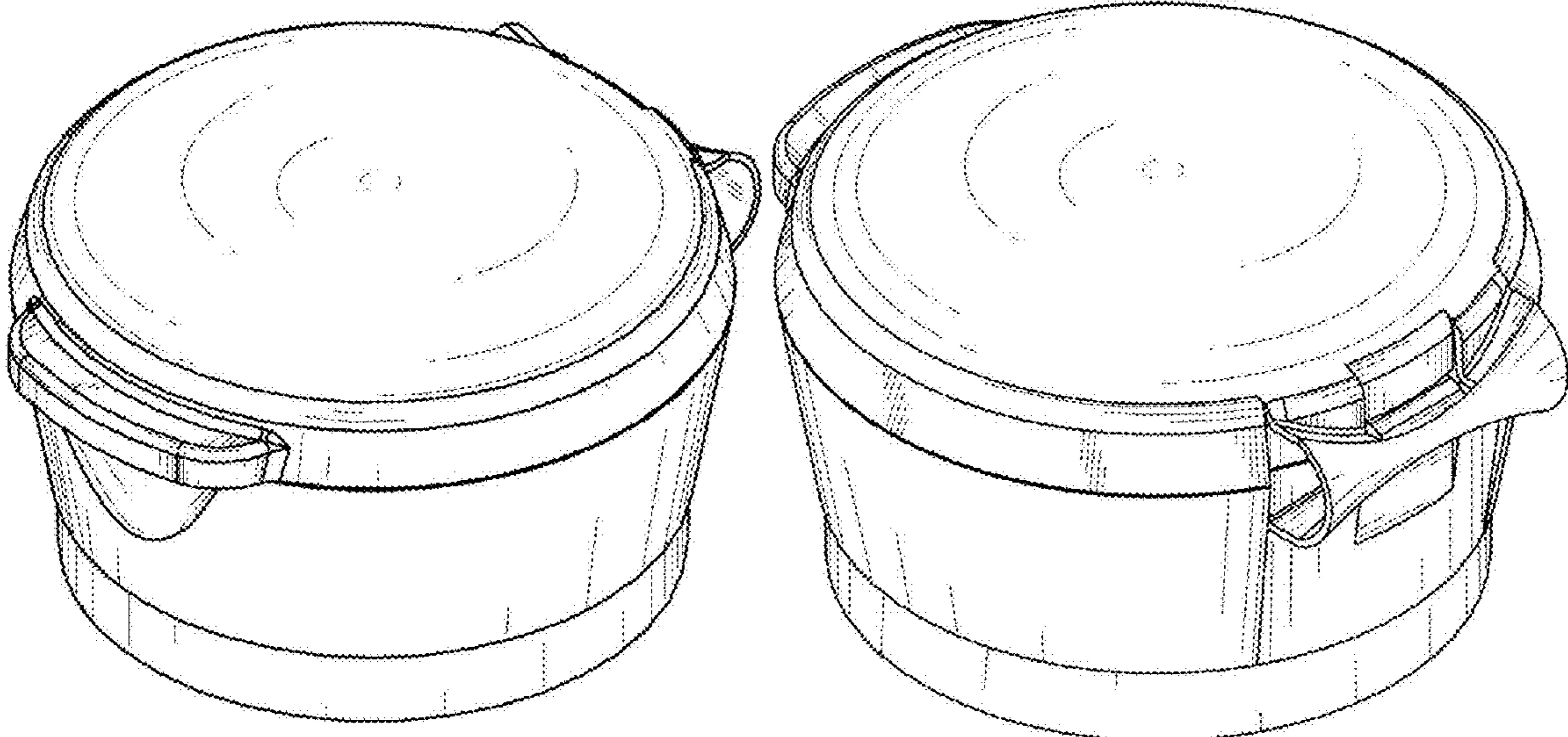
(57) **CLAIM**

The ornamental design for a cap, as shown and described.

DESCRIPTION

- 1.1 is a front perspective view of a cap, showing my new design;
- 1.2 is a rear perspective view thereof;
- 1.3 is a right-side view thereof;
- 1.4 is a left-side view thereof;
- 1.5 is a front view thereof;
- 1.6 is a rear view thereof; and
- 1.7 is a top view thereof.

1 Claim, 7 Drawing Sheets



(56)

References Cited

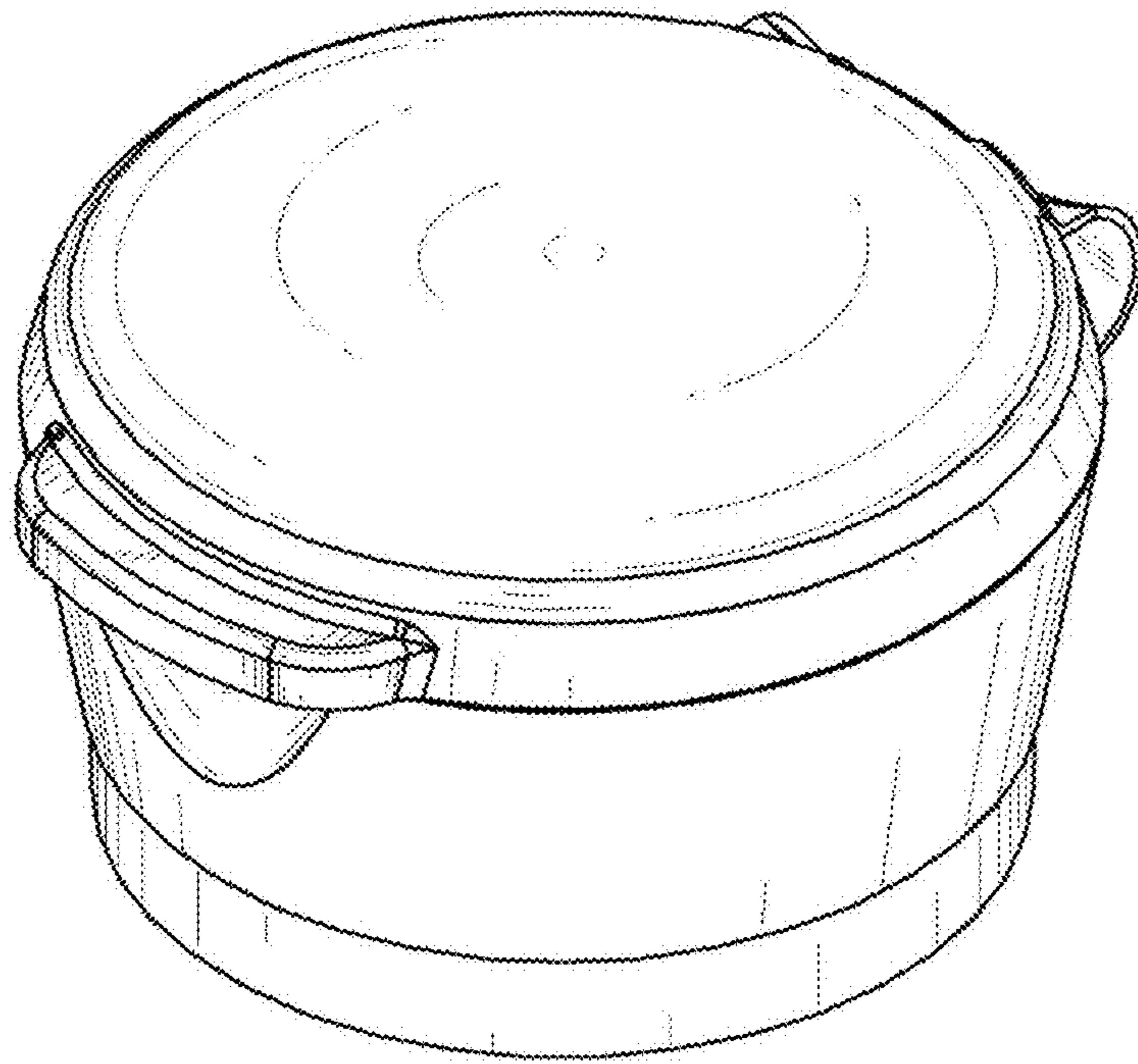
OTHER PUBLICATIONS

Amazon. Blue Star Cap For Taylor Machines—014218 (1). May 5, 2016. <https://www.amazon.com/Blue-Star-Cap-Taylor-Machines/dp/B01F7XLQ48?th=1> (Year: 2016).*

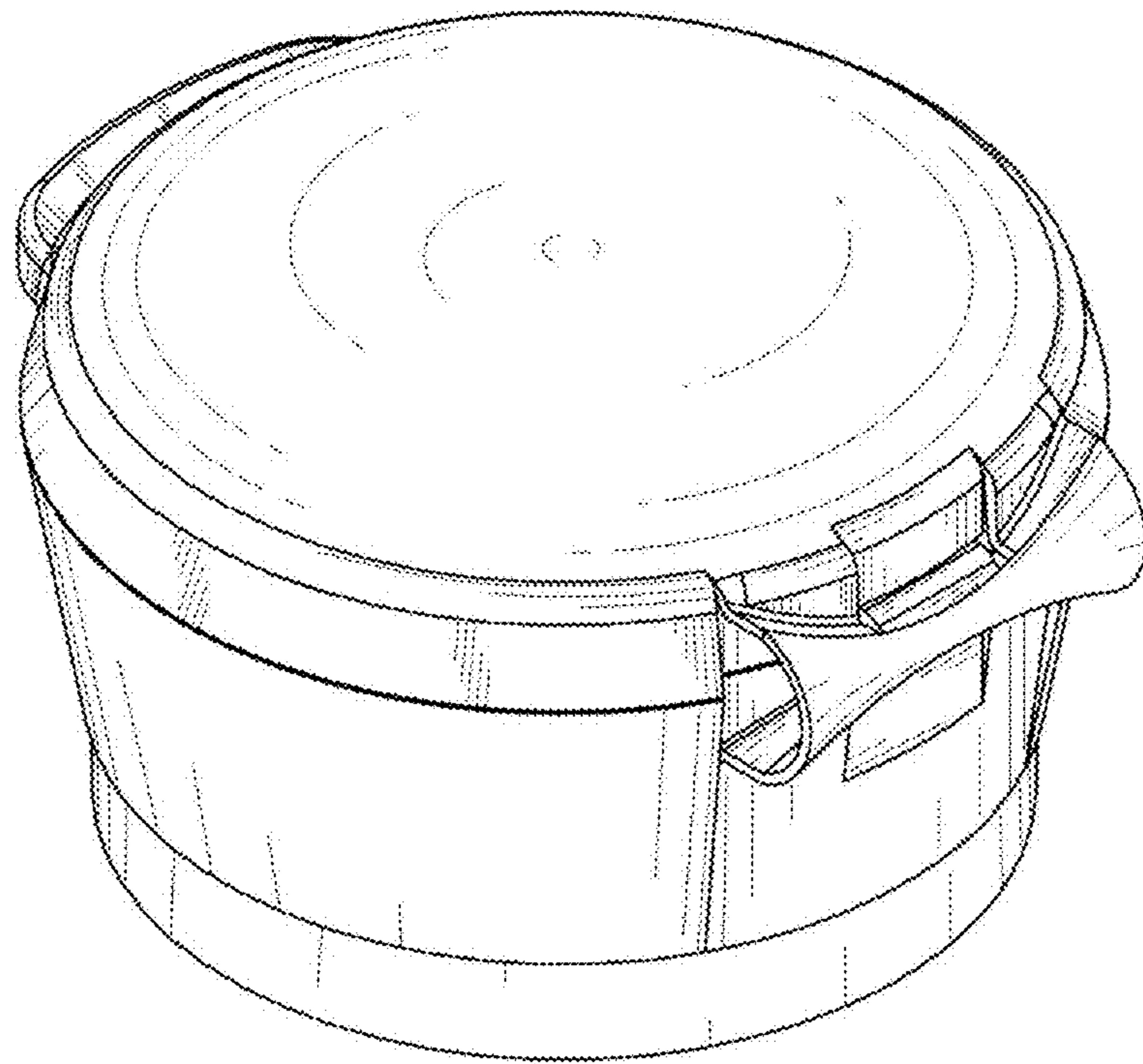
Frozen Solutions. PASMO America Machine Dispenser Shape Cap Discharge Nozzle Shape B 3ct. No date specified. <https://frozen-solutions.com/pasmo-machine-dispenser-shape-caps-3ct-shape-2/> (Year: 0).*

* cited by examiner

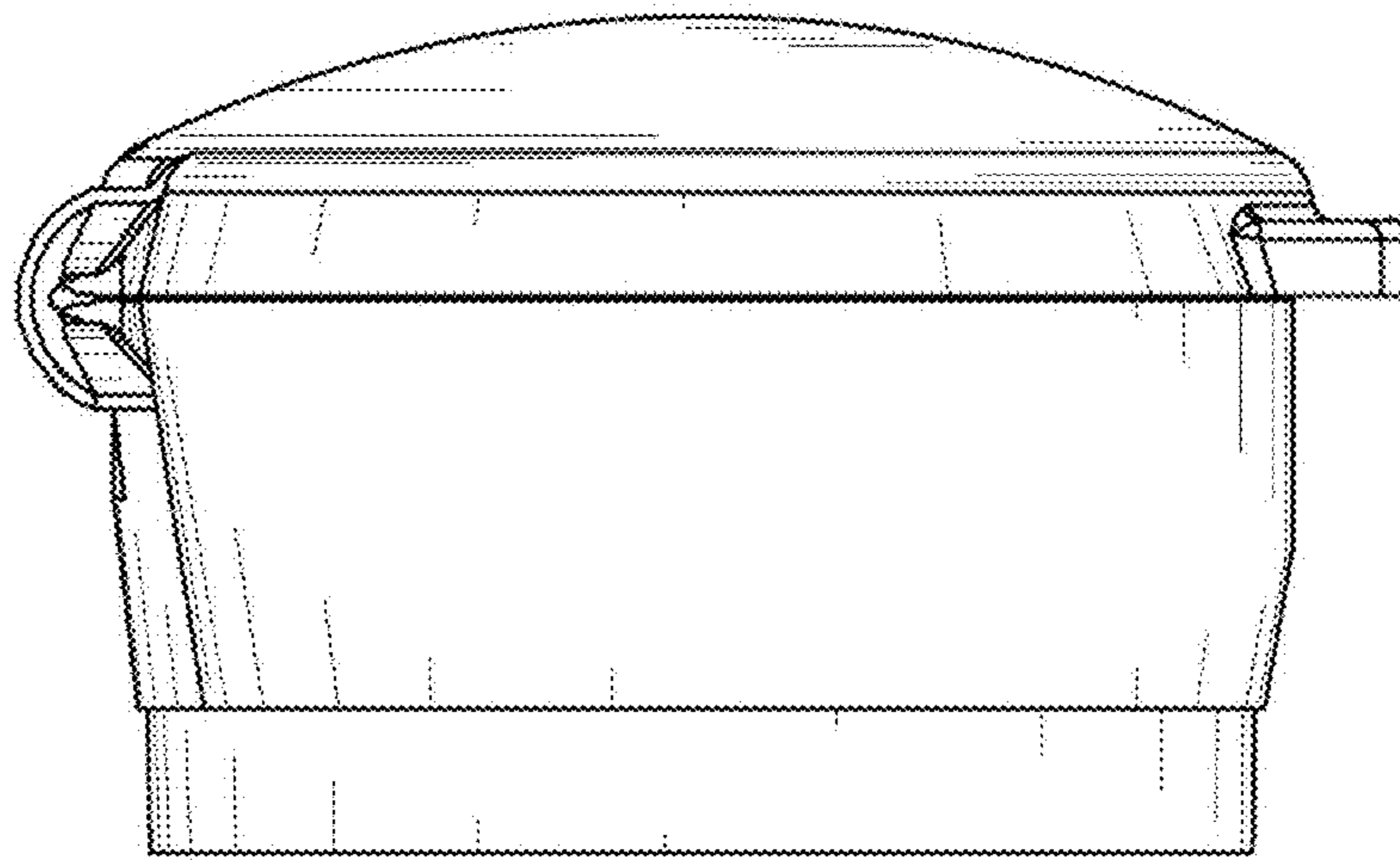
1.1



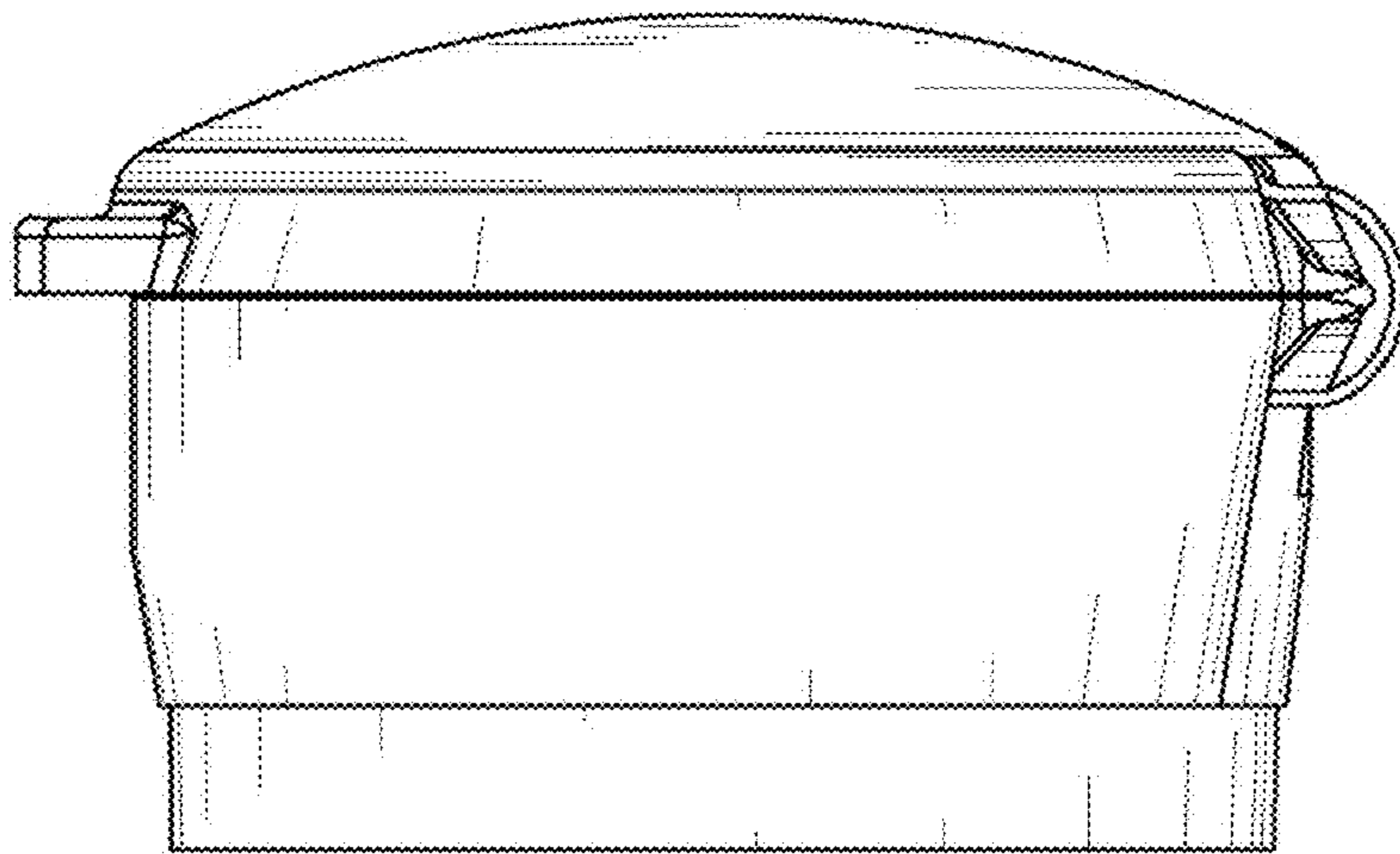
1.2



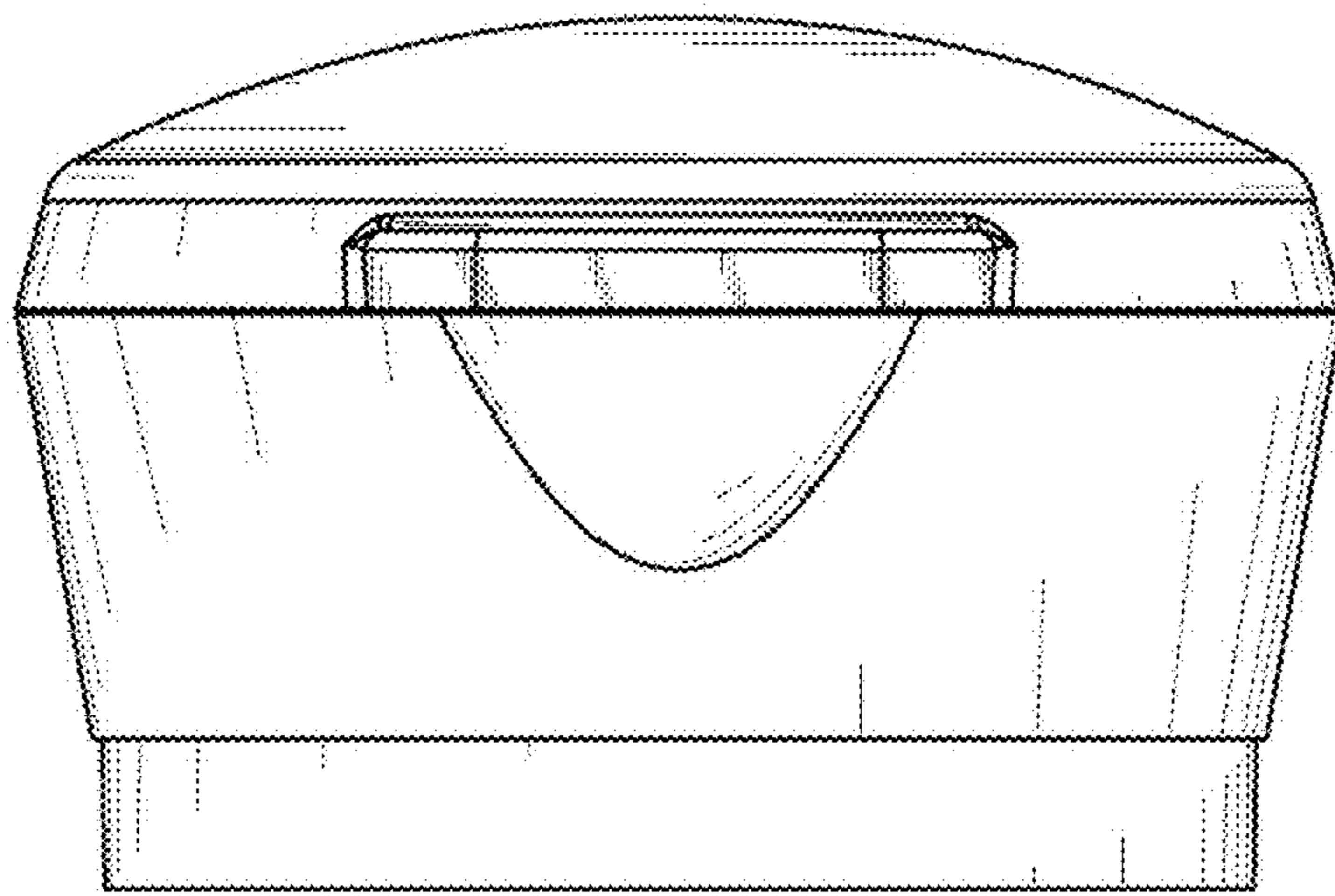
1.3



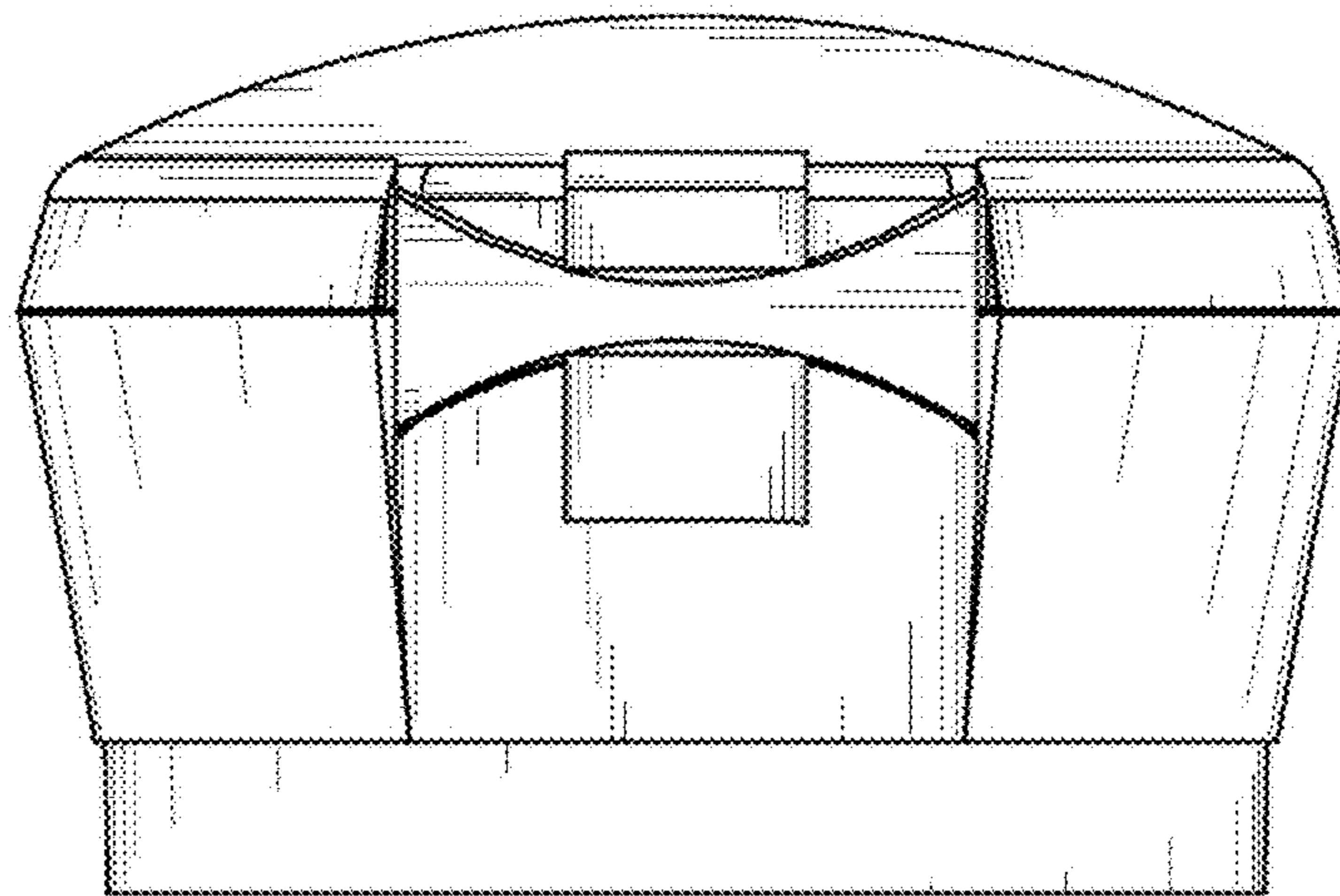
1.4



1.5



1.6



1.7

