



US00D918716S

(12) **United States Design Patent** (10) **Patent No.:** **US D918,716 S**
Caicedo et al. (45) **Date of Patent:** **** May 11, 2021**

(54) **PACKAGE**

(71) Applicant: **BUILDING MATERIALS INVESTMENT CORPORATION**, Dallas, TX (US)

(72) Inventors: **Carlos Caicedo**, Dallas, TX (US); **Natalie Cruz**, Dallas, TX (US); **Carol Monza**, Dallas, TX (US); **Michael Comiskey**, Dallas, TX (US); **David Shin**, Dallas, TX (US); **Don Miller**, Dallas, TX (US); **Carolyn Eckert**, Dallas, TX (US)

(73) Assignee: **Building Materials Investment Corporation**, Dallas, TX (US)

(**) Term: **15 Years**

(21) Appl. No.: **29/757,742**

(22) Filed: **Nov. 9, 2020**

(51) **LOC (13) Cl.** **09-03**

(52) **U.S. Cl.**
USPC **D9/432**

(58) **Field of Classification Search**
USPC D9/414–423, 430–433, 434, 456, 457, D9/711, 713, 721–722; D20/10, 22, 27, D20/40, 42
CPC ... B65D 5/00; B65D 5/02; B65D 5/18; B65D 5/20

See application file for complete search history.

(56) **References Cited**

U.S. PATENT DOCUMENTS

D329,199 S *	9/1992	Corso	D9/418
D391,481 S *	3/1998	Oxley	D9/432
D628,063 S *	11/2010	Kusumi	D9/432
D641,621 S *	7/2011	Kusumi	D9/432

(Continued)

Primary Examiner — Vy N Koenig

(74) *Attorney, Agent, or Firm* — Greenberg Traurig, LLP

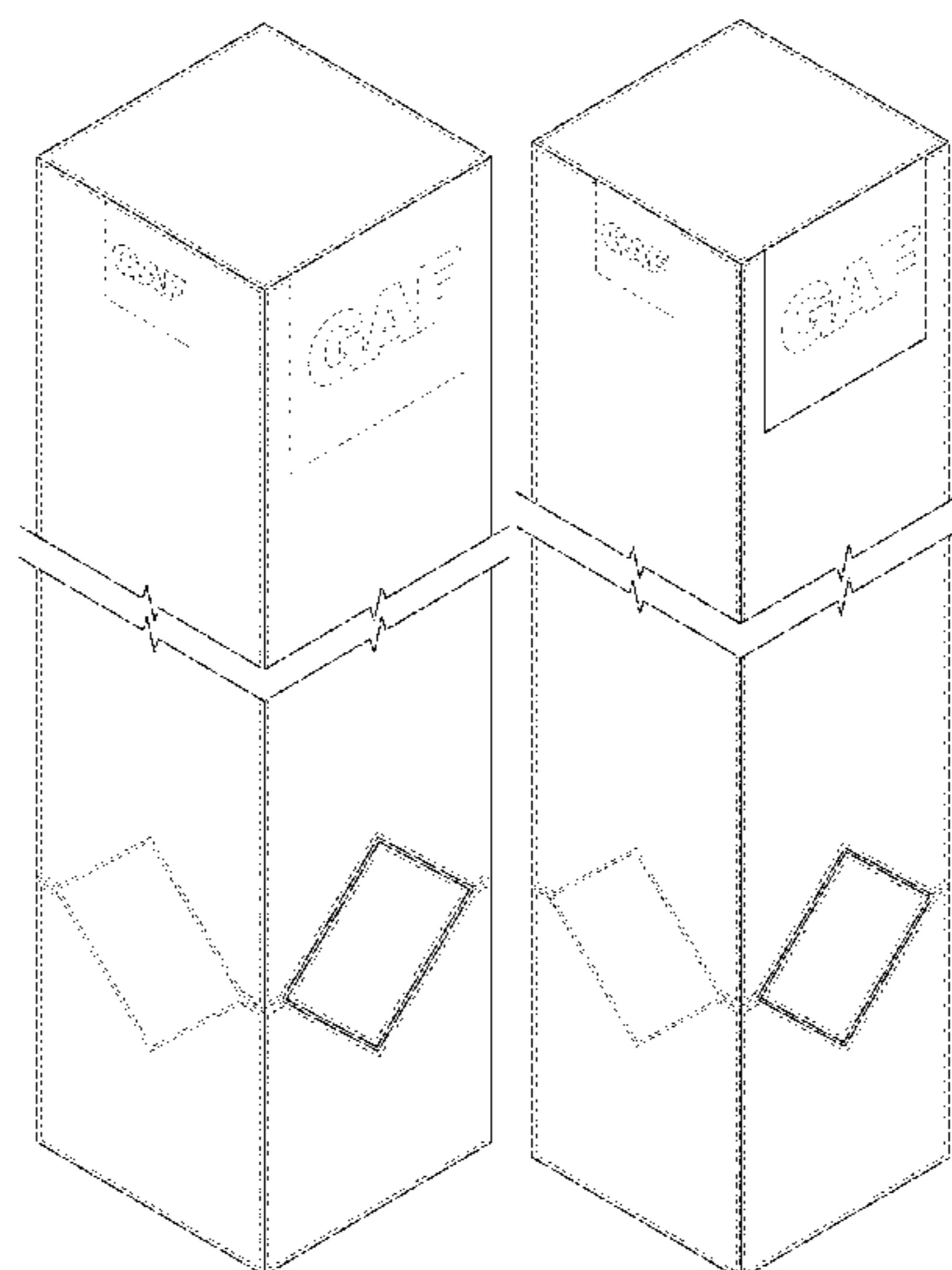
(57) **CLAIM**

The ornamental design for a package, as shown and described.

DESCRIPTION

FIG. 1 is a front perspective view of a first embodiment of a package showing our new design.
 FIG. 2 is a front view of the first embodiment of the package shown in FIG. 1.
 FIG. 3 is a back view of the first embodiment of the package shown in FIG. 1.
 FIG. 4 is a right side view of the first embodiment of the package shown in FIG. 1.
 FIG. 5 is a left side view of the first embodiment of the package shown in FIG. 1.
 FIG. 6 is a top view of the first embodiment of the package shown in FIG. 1.
 FIG. 7 is a bottom view of the first embodiment of the package shown in FIG. 1.
 FIG. 8 is a front perspective view of a second embodiment of a package showing our new design.
 FIG. 9 is a front view of the second embodiment of the package shown in FIG. 8.
 FIG. 10 is a back view of the second embodiment of the package shown in FIG. 8.
 FIG. 11 is a right side view of the second embodiment of the package shown in FIG. 8.
 FIG. 12 is a left side view of the second embodiment of the package shown in FIG. 8.
 FIG. 13 is a top view of the second embodiment of the package shown in FIG. 8; and,
 FIG. 14 is a bottom view of the second embodiment of the package shown in FIG. 8.
 The broken lines in the drawings illustrate unclaimed features forming no part of the claimed design.
 The symbolic break lines in the drawings convey that the appearance of any portion of the package between the symbolic break lines forms no part of the claimed design.

1 Claim, 12 Drawing Sheets



(56)

References Cited

U.S. PATENT DOCUMENTS

D668,141	S	*	10/2012	Collins	D9/423
D678,762	S	*	3/2013	Cooper	D9/418
D712,737	S	*	9/2014	Gotur	D9/432
D726,025	S	*	4/2015	Somers	D9/667
D745,388	S	*	12/2015	Taylor	D9/418
D772,061	S	*	11/2016	O'Dowd	D9/432
D774,400	S	*	12/2016	Miyazaki	D9/600
D781,701	S	*	3/2017	Brody	D9/432
D782,905	S	*	4/2017	Borkovetz	D9/418
D783,397	S	*	4/2017	Riffe	D9/434
D838,587	S	*	1/2019	Laliberte	D9/432
D853,839	S	*	7/2019	Baker	D9/432
D877,971	S	*	3/2020	Bowen	D27/101
D881,003	S	*	4/2020	Hendricks	D9/432
2014/0020700	A1	*	1/2014	Park	A45D 29/001 132/75
2015/0034507	A1	*	2/2015	Liu	A24F 15/01 206/256

* cited by examiner

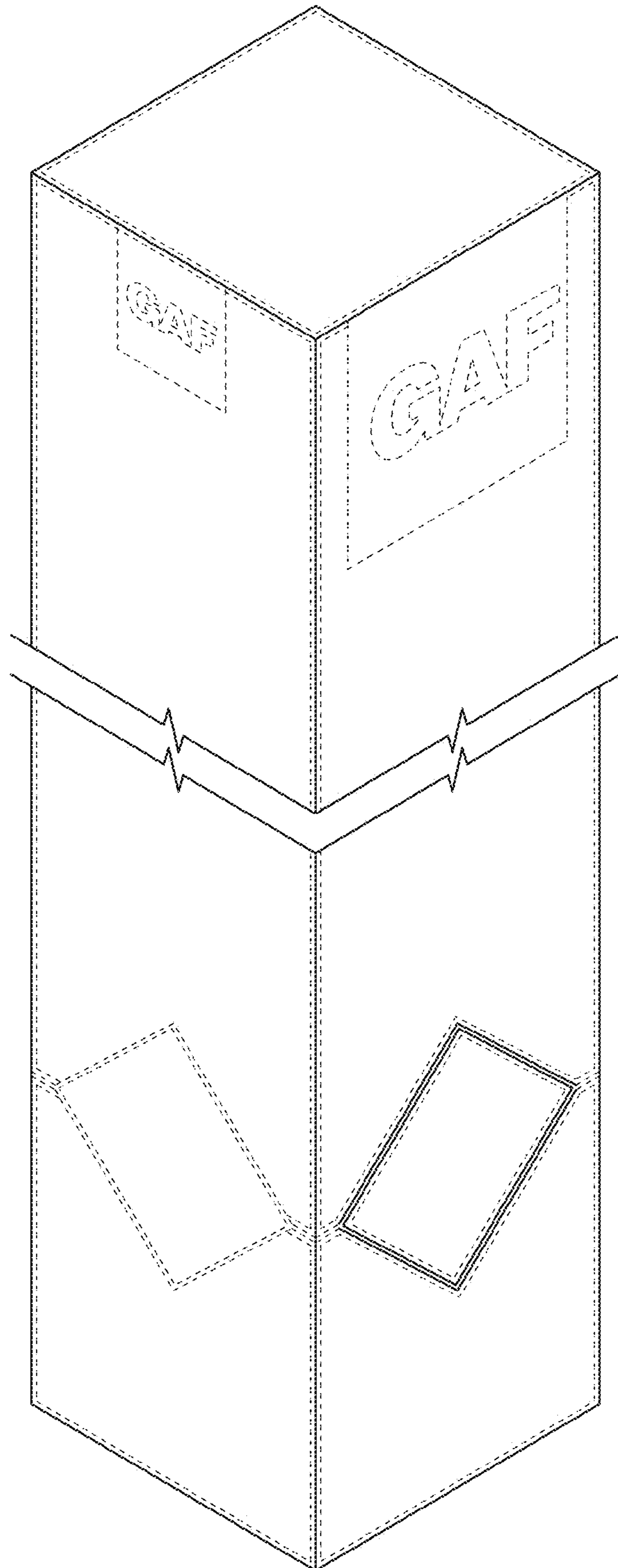


FIG. 1

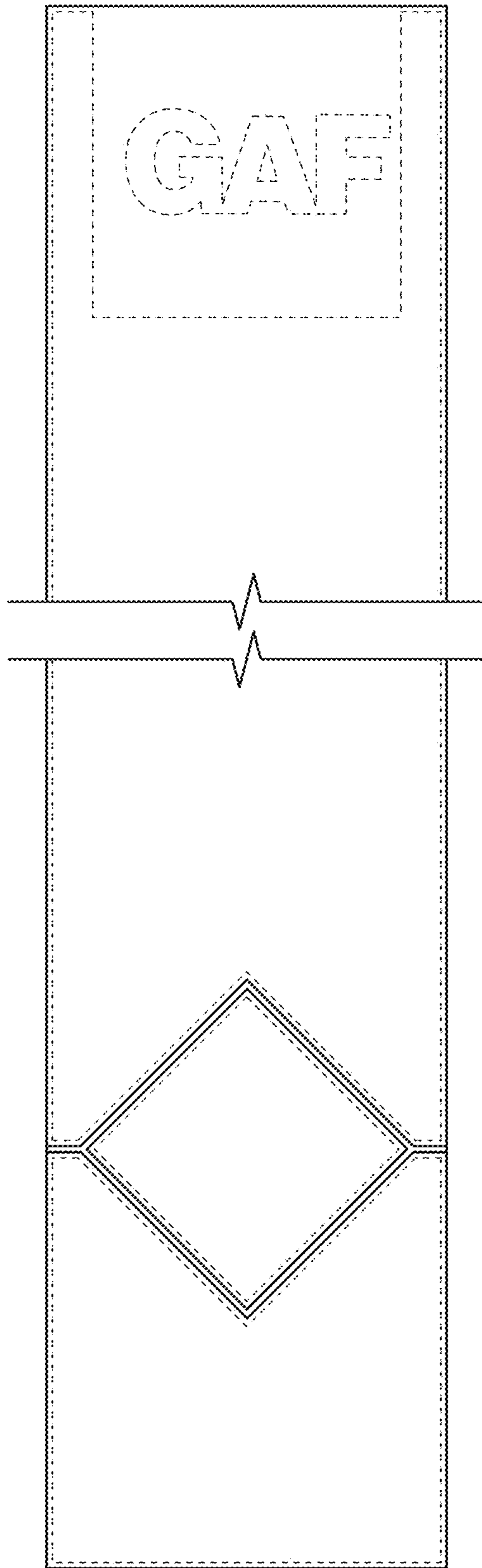


FIG. 2

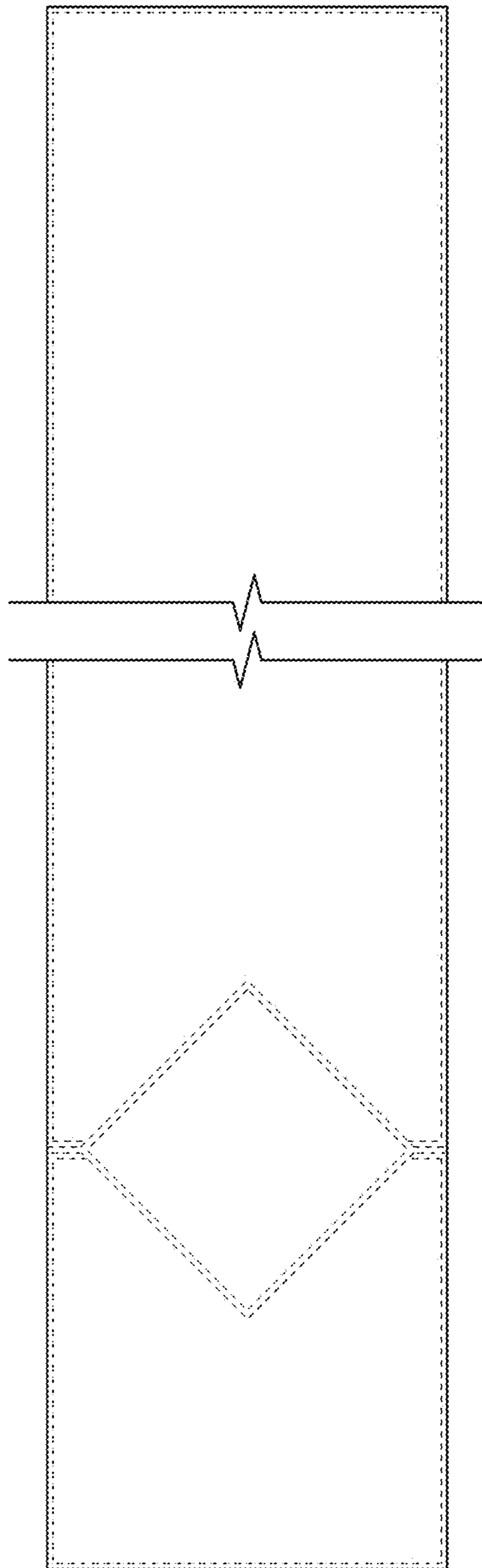


FIG. 3

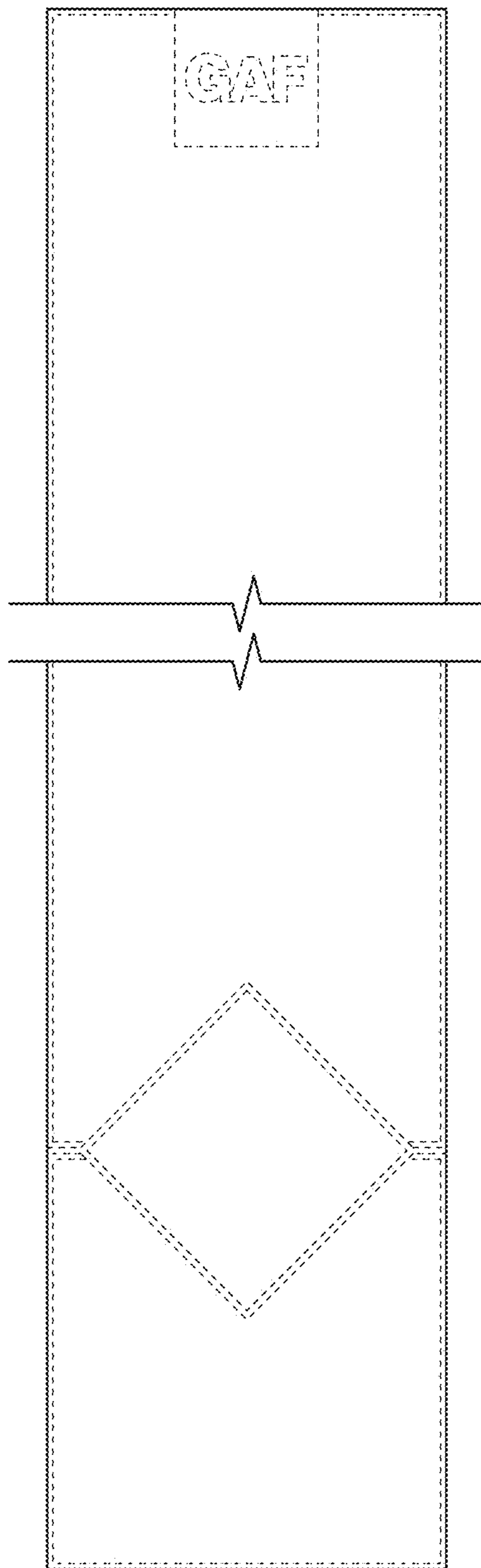


FIG. 4

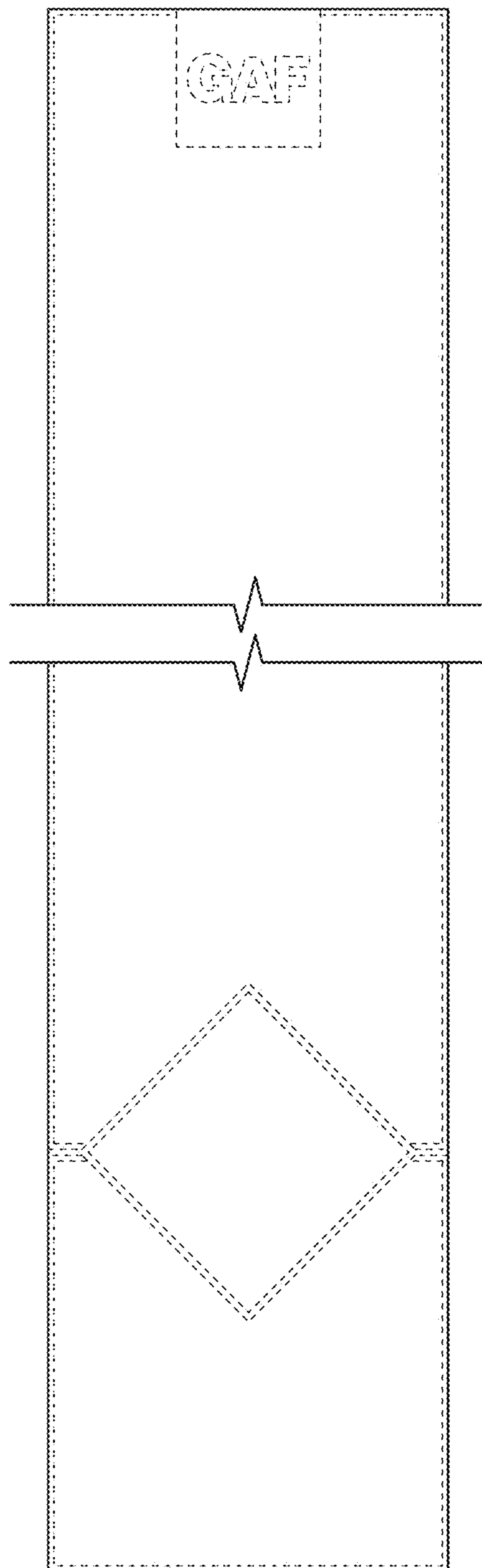


FIG. 5

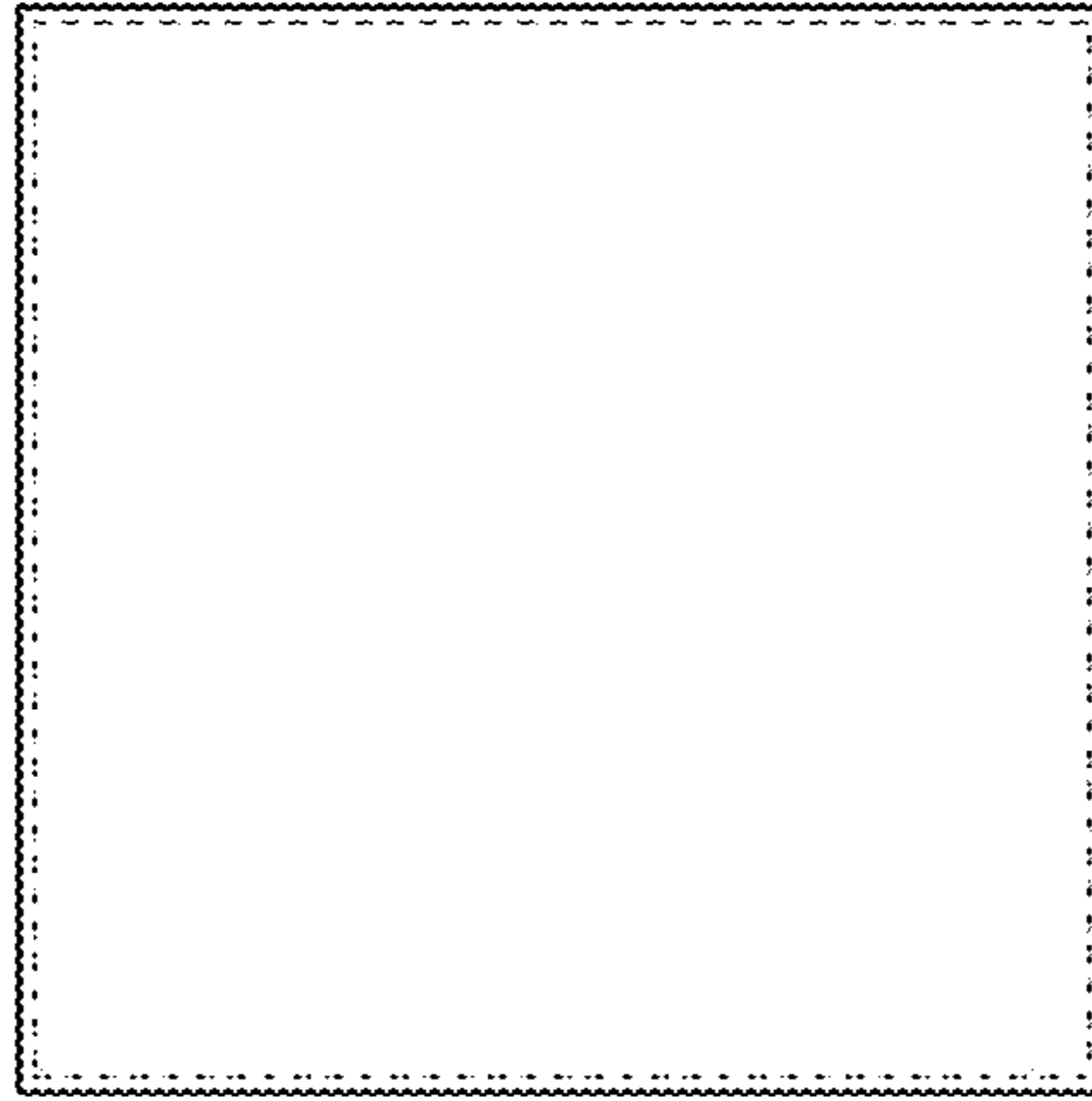


FIG. 6

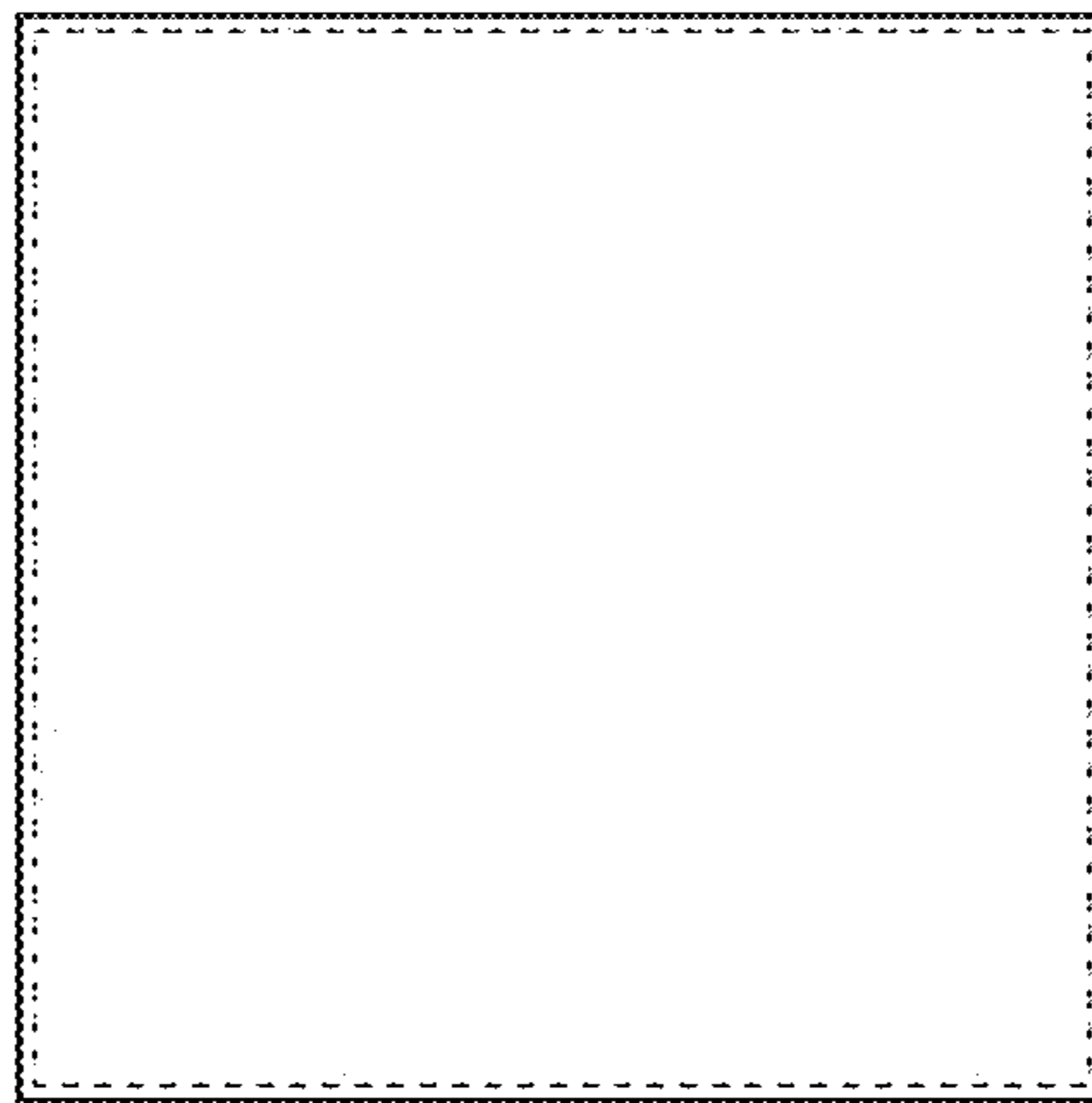


FIG. 7

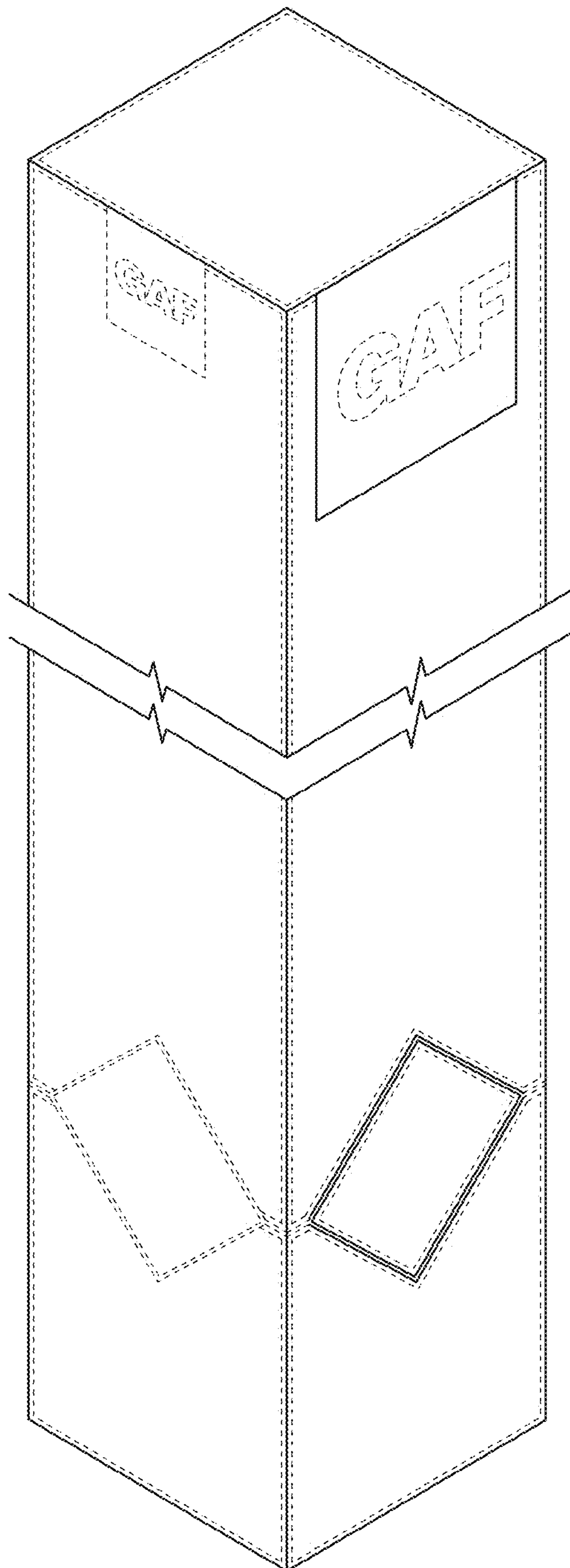


FIG. 8

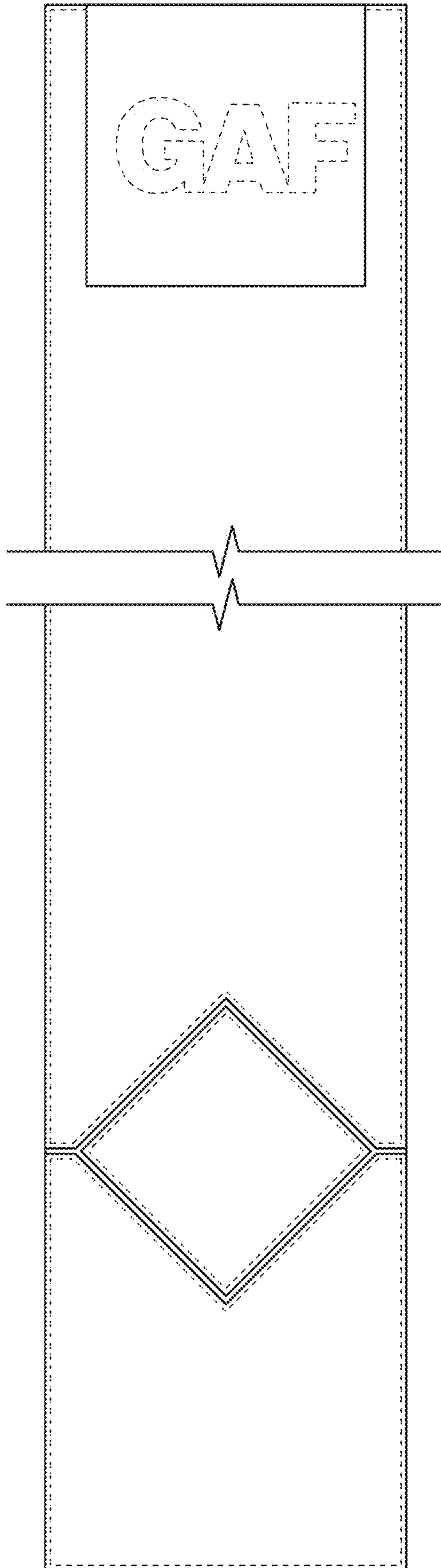


FIG. 9

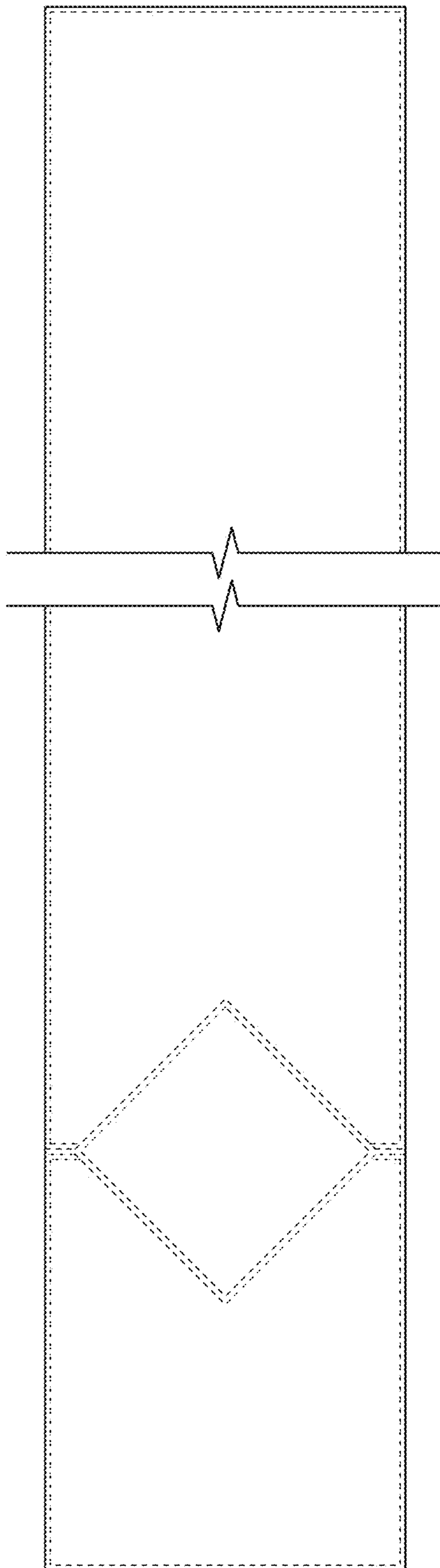


FIG. 10

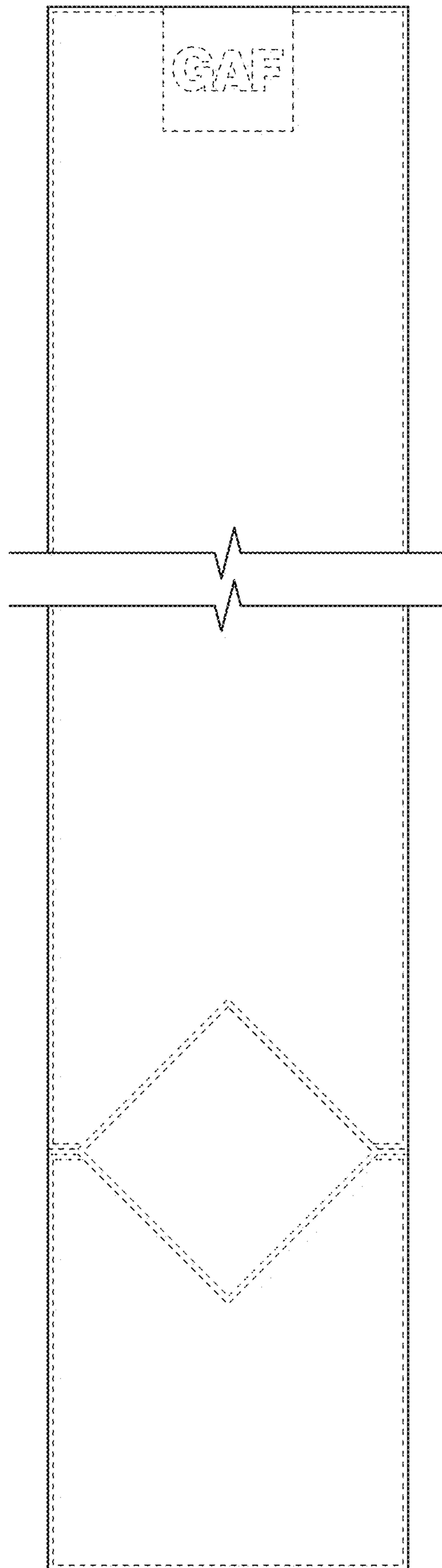


FIG. 11

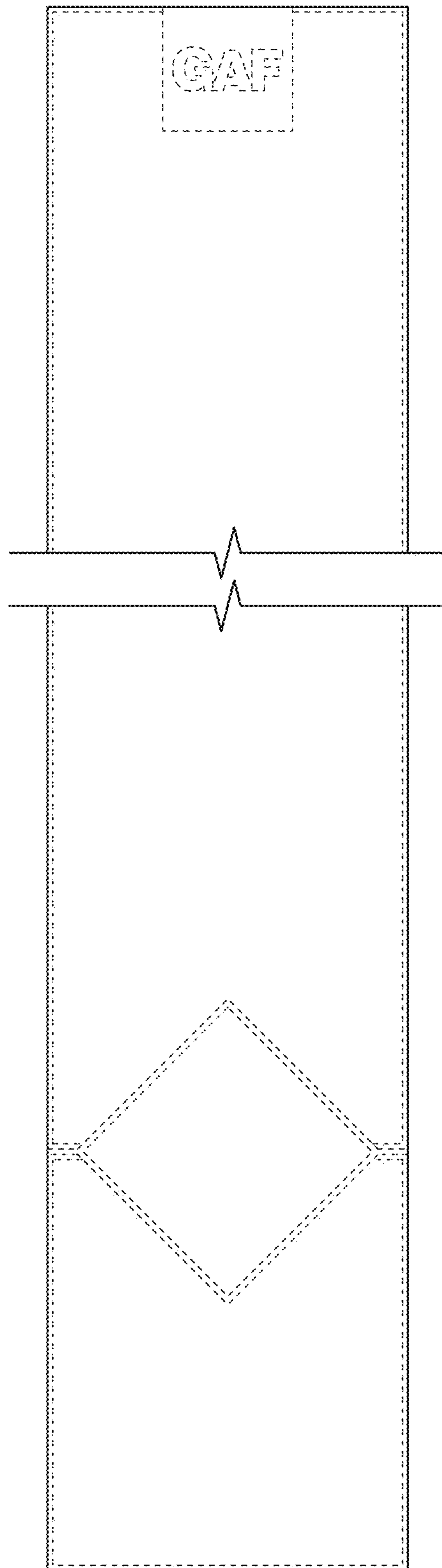


FIG. 12

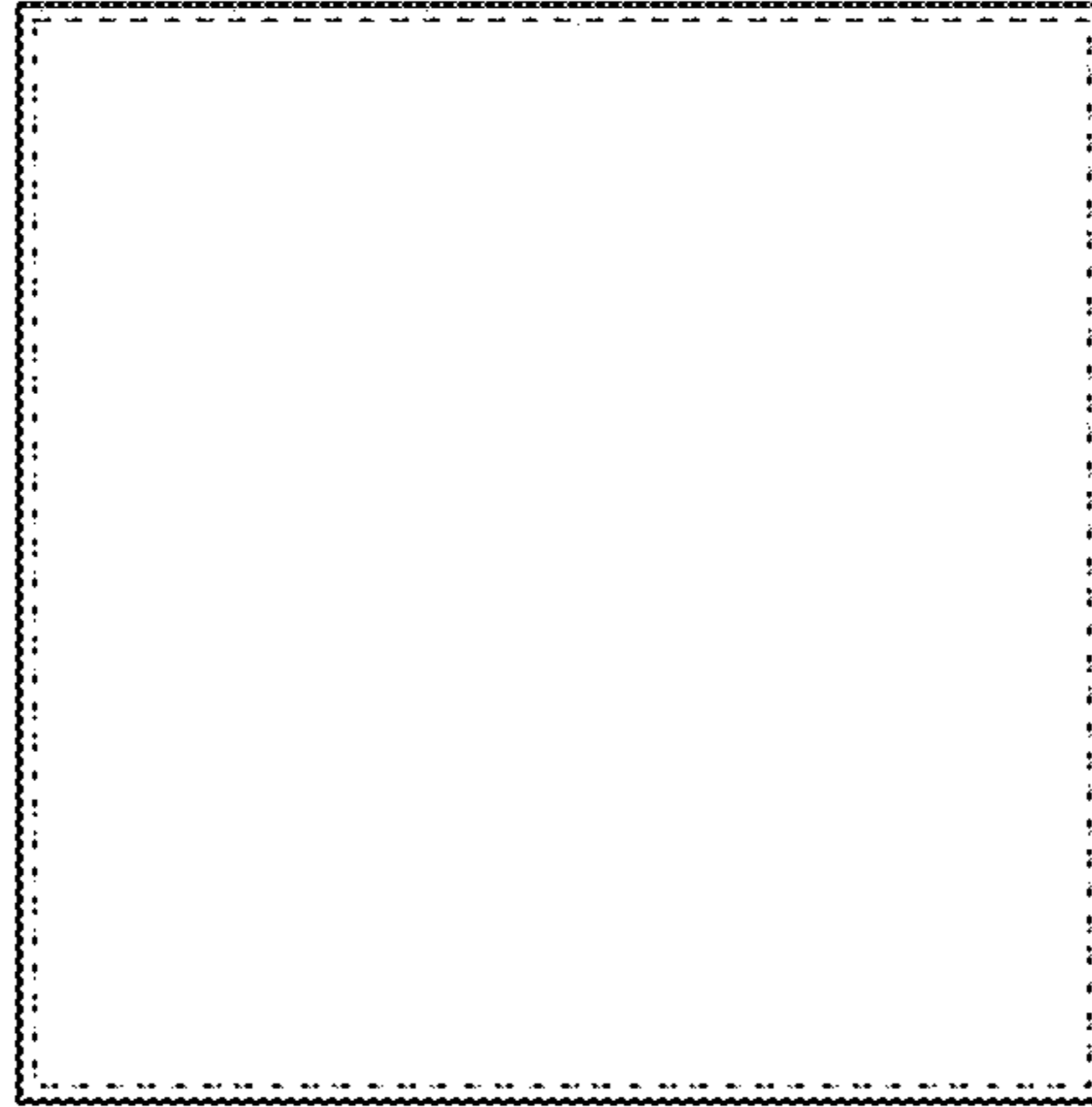


FIG. 13

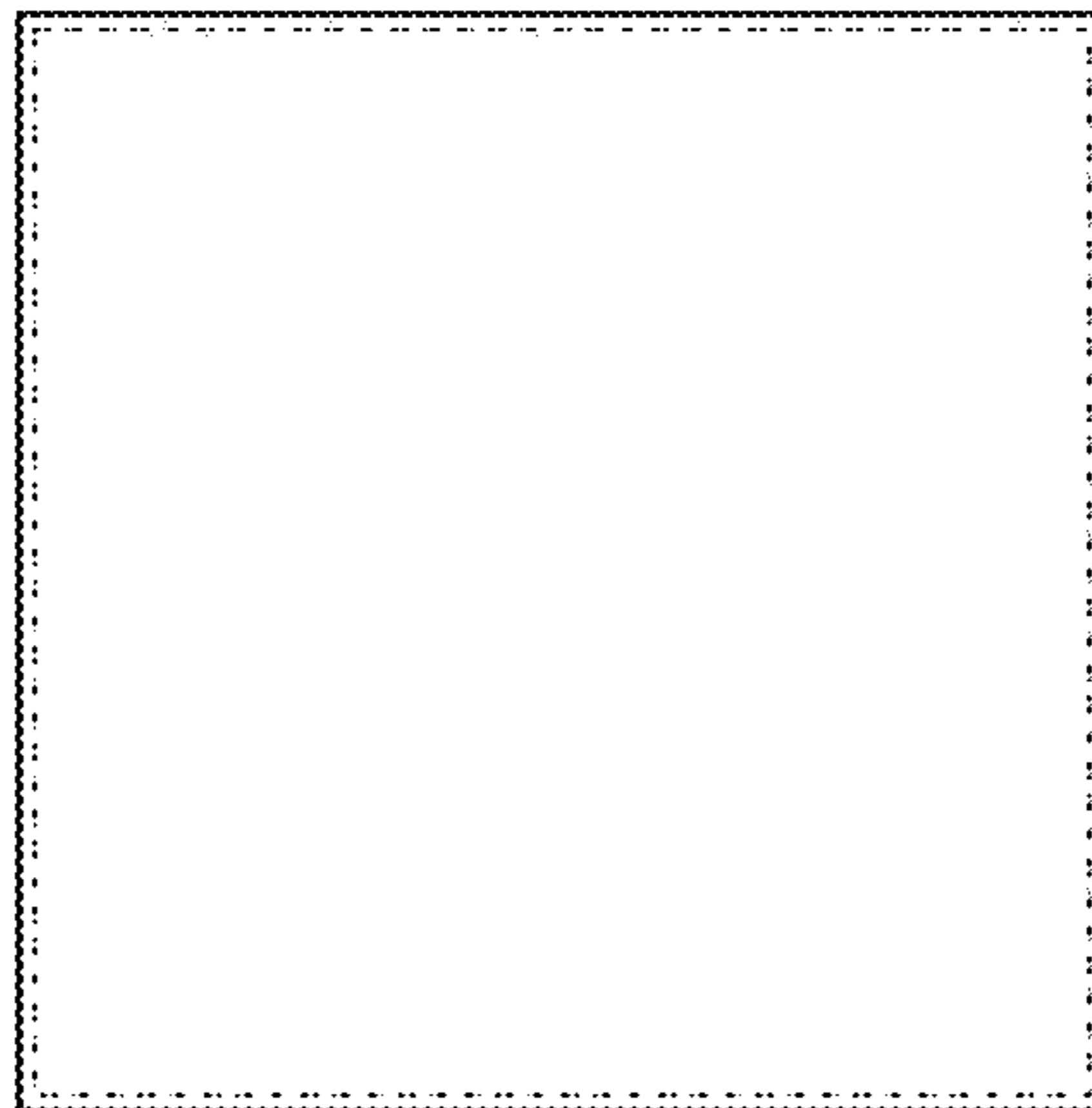


FIG. 14