



US00D918715S

(12) **United States Design Patent** (10) **Patent No.:** **US D918,715 S**
Natsume et al. (45) **Date of Patent:** **** May 11, 2021**

(54) **ACCESSORY BOX**
(71) Applicant: **Magic Leap, Inc.**, Plantation, FL (US)
(72) Inventors: **Shigeru Natsume**, Weston, FL (US);
Sarah Hoit, Fort Lauderdale, FL (US);
James William Palmer, Miami, FL (US); **Daniel Marcelo Gamez Castillejos**, Dublin, CA (US);
Christopher G. Palmer, Pleasanton, CA (US)
(73) Assignee: **Magic Leap, Inc.**, Plantation, FL (US)
(**) Term: **15 Years**

(21) Appl. No.: **29/716,305**
(22) Filed: **Dec. 9, 2019**
(51) **LOC (13) Cl.** **09-03**
(52) **U.S. Cl.**
USPC **D9/432; D9/433**
(58) **Field of Classification Search**
USPC D9/414-423, 430-433, 434, 456, 457,
D9/711, 713, 721-722; D20/10, 22, 27,
D20/40, 42
CPC ... B65D 5/00; B65D 5/02; B65D 5/18; B65D
5/20
See application file for complete search history.

(56) **References Cited**
U.S. PATENT DOCUMENTS
D112,844 S * 1/1939 Medoff D9/418
D329,199 S * 9/1992 Corso D9/418
D379,759 S * 6/1997 Mulry D9/416
D388,522 S * 12/1997 Pietrantonio D26/9
D551,968 S * 10/2007 Kleinsmith D9/418

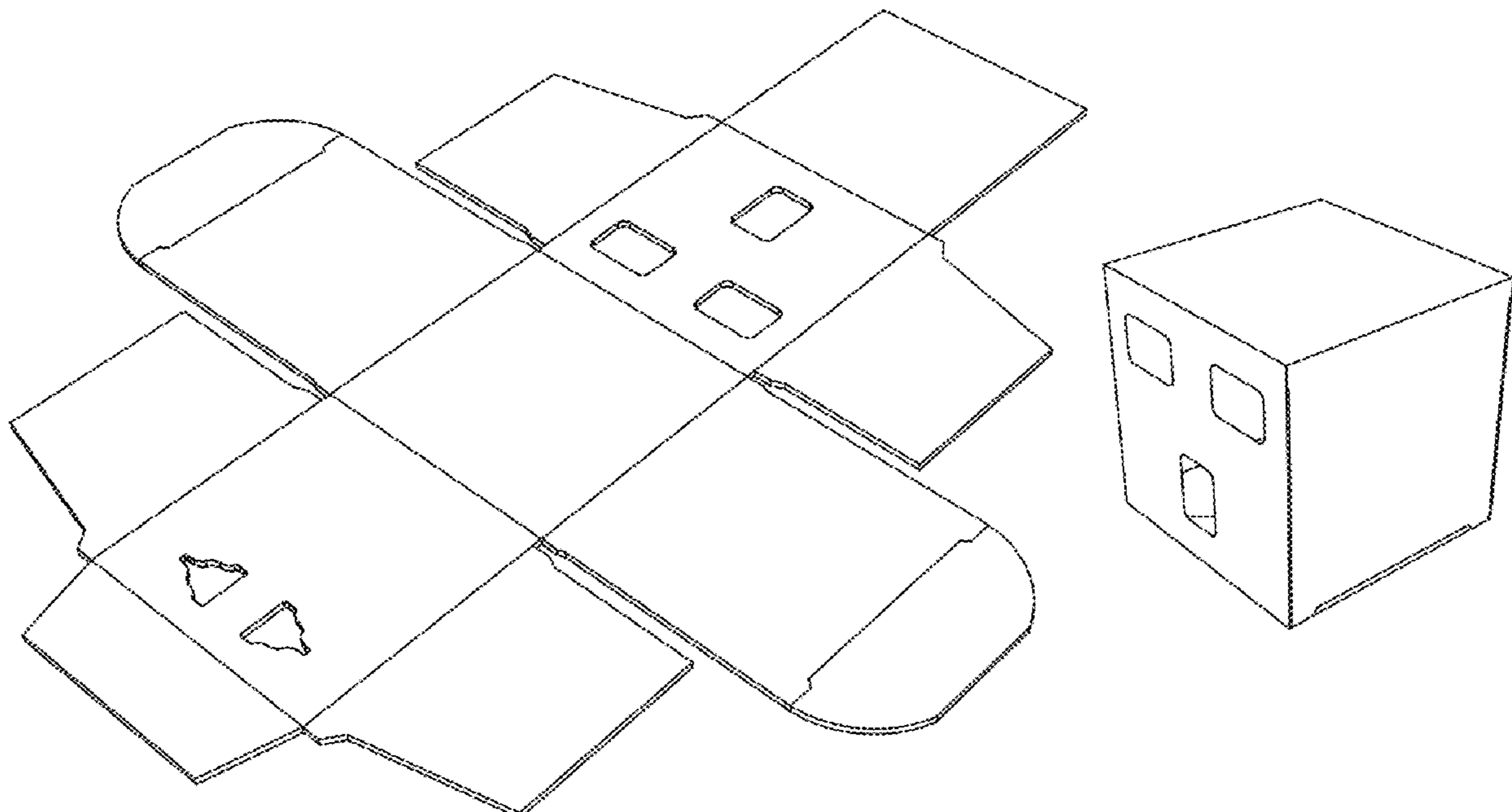
D604,603 S * 11/2009 Kohno D9/418
D655,613 S * 3/2012 De Baschmakoff D9/600
D702,565 S * 4/2014 Gale D9/734
D718,617 S * 12/2014 Taylor D9/432
D777,571 S * 1/2017 Borkovetz D9/432
D826,712 S * 8/2018 Servaire D9/432
D839,747 S * 2/2019 Lewis D9/560
2004/0094437 A1 * 5/2004 Dailey, III B65D 5/4204
206/205

* cited by examiner
Primary Examiner — Vy N Koenig
(74) *Attorney, Agent, or Firm* — Fish & Richardson P.C.

(57) **CLAIM**
The ornamental design for an accessory box, as shown and described.

DESCRIPTION
FIG. 1 is a top perspective view of an accessory box in an opened, blank configuration.
FIG. 2 is front view thereof.
FIG. 3 is a back perspective view thereof.
FIG. 4 is left side view thereof.
FIG. 5 is right side view thereof.
FIG. 6 is top view thereof.
FIG. 7 is bottom view thereof.
FIG. 8 is a bottom perspective view thereof.
FIG. 9 is a top perspective view of the accessory box in a closed configuration.
FIG. 10 is front view thereof.
FIG. 11 is a back perspective view thereof.
FIG. 12 is left side view thereof.
FIG. 13 is right side view thereof.
FIG. 14 is top view thereof.
FIG. 15 is bottom view thereof; and,
FIG. 16 is a bottom perspective view thereof.

1 Claim, 10 Drawing Sheets



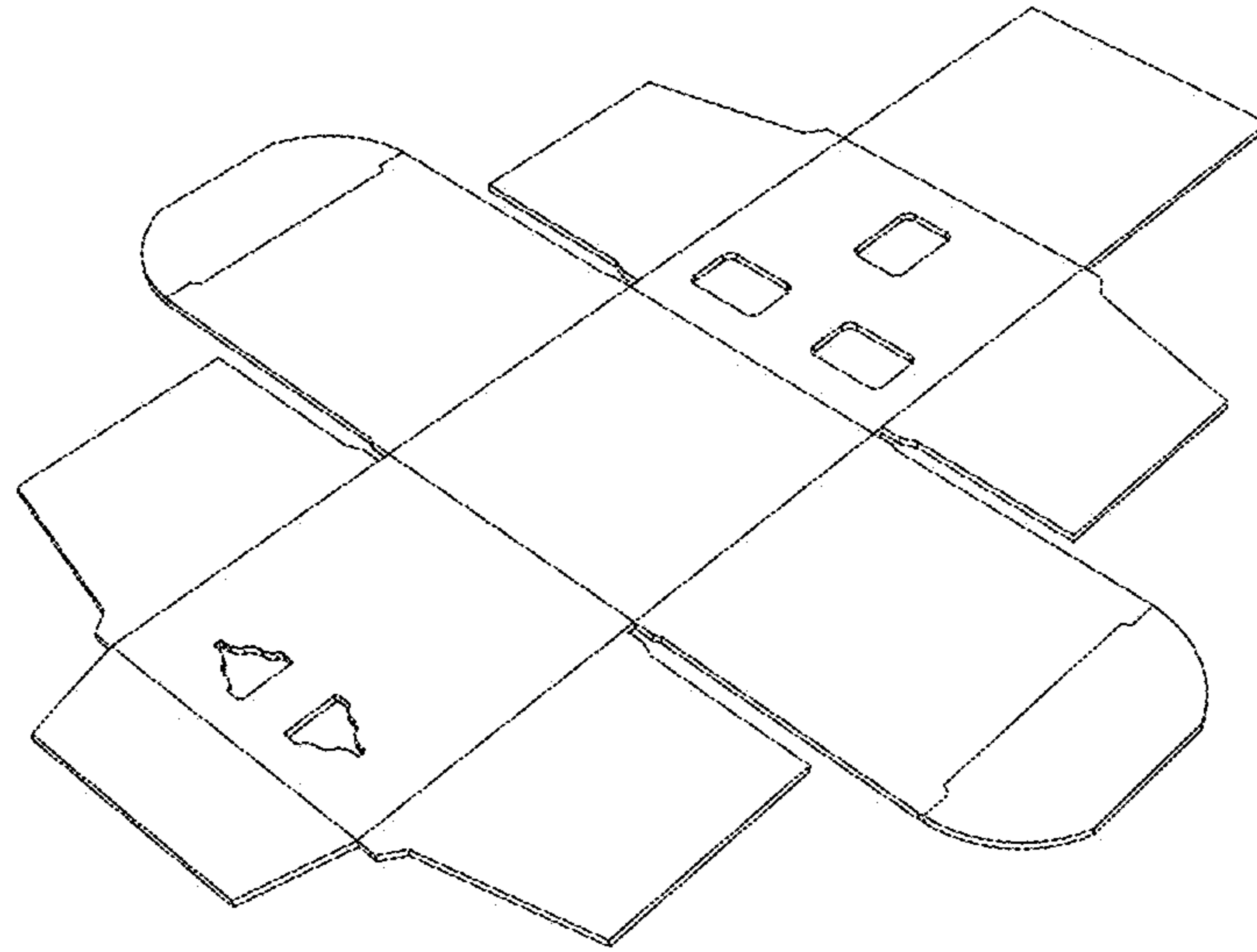


FIG. 1

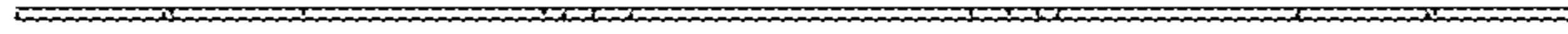


FIG. 2



FIG. 3

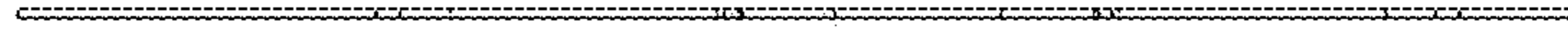


FIG. 4



FIG. 5

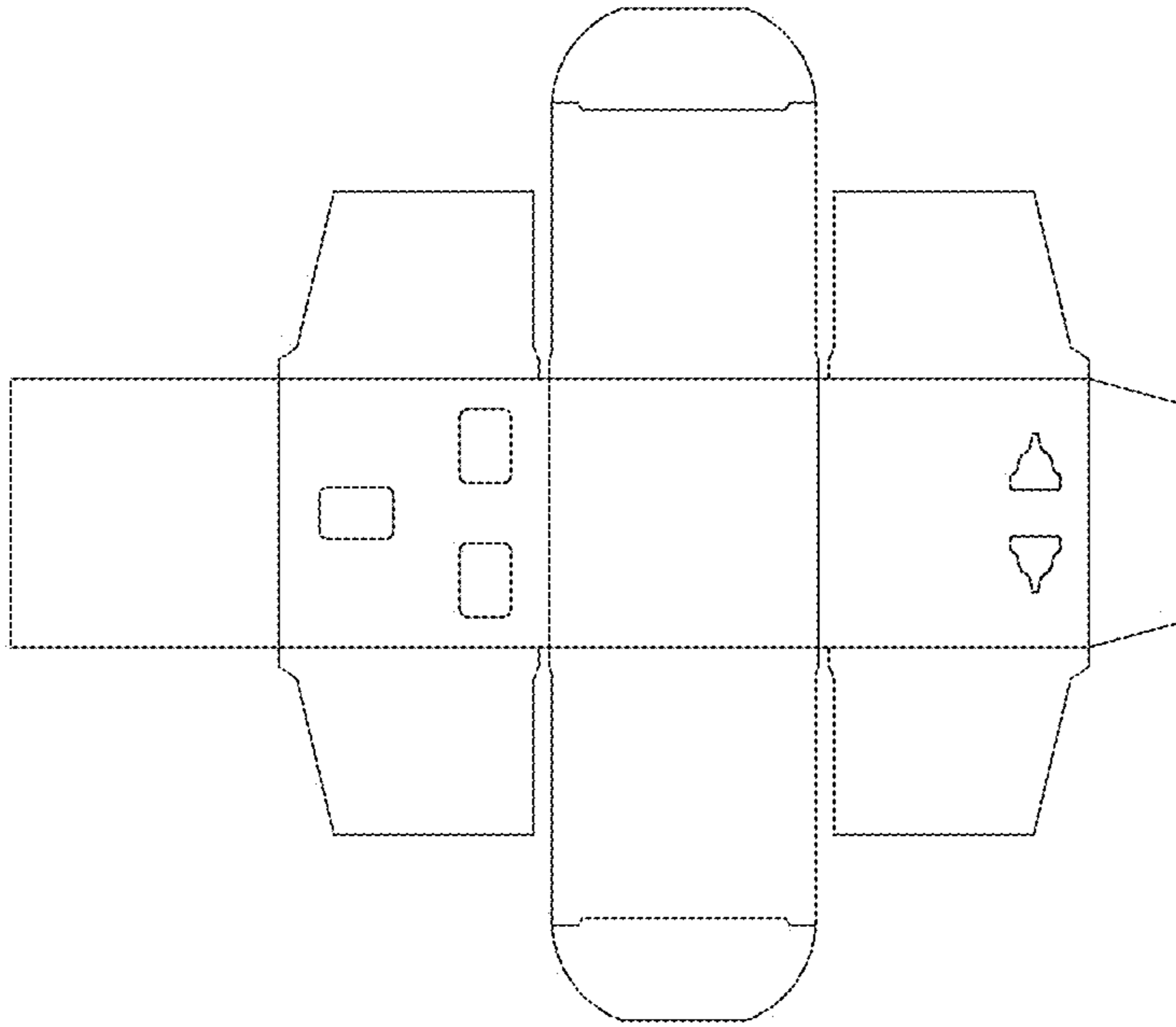


FIG. 6

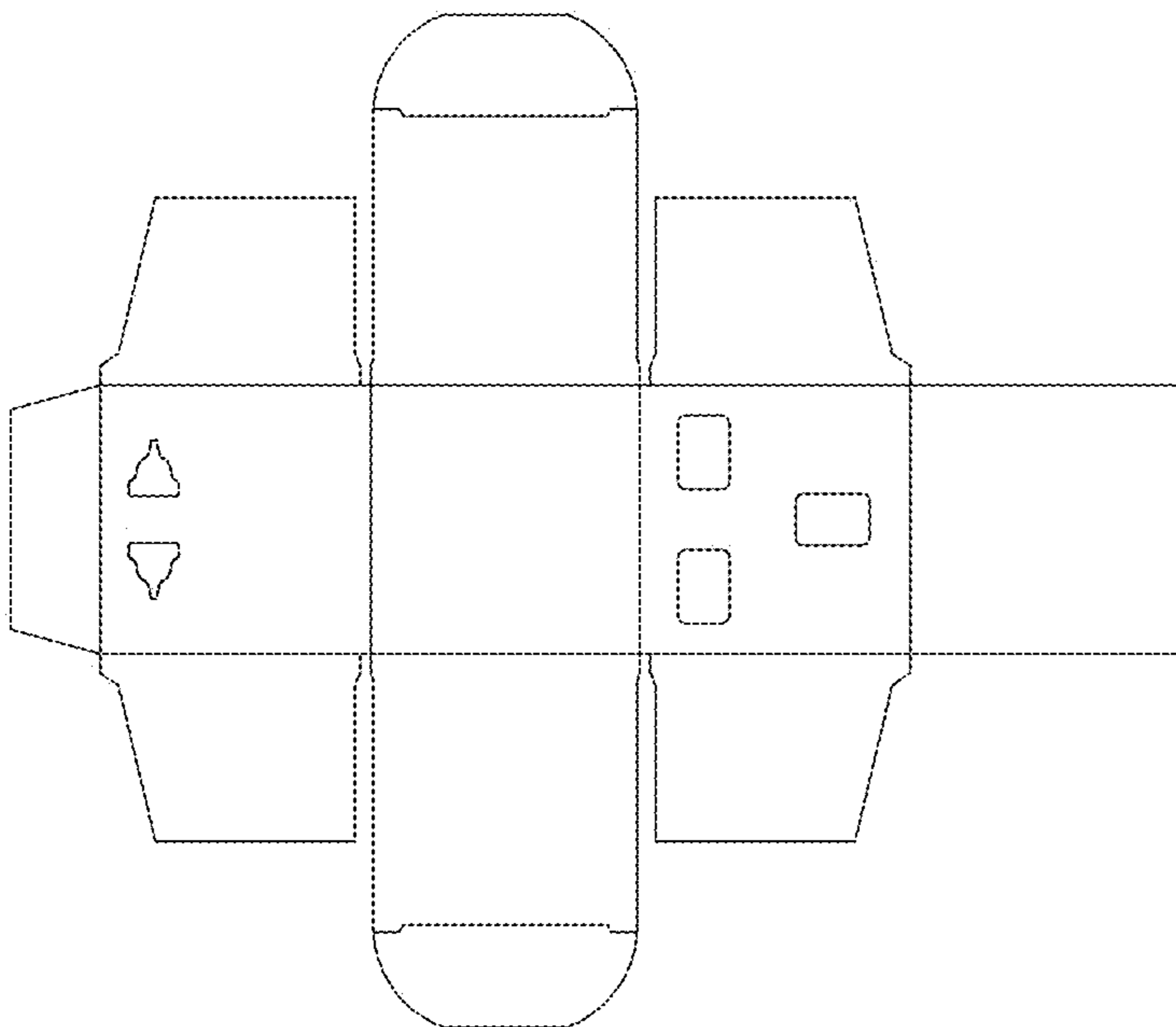


FIG. 7

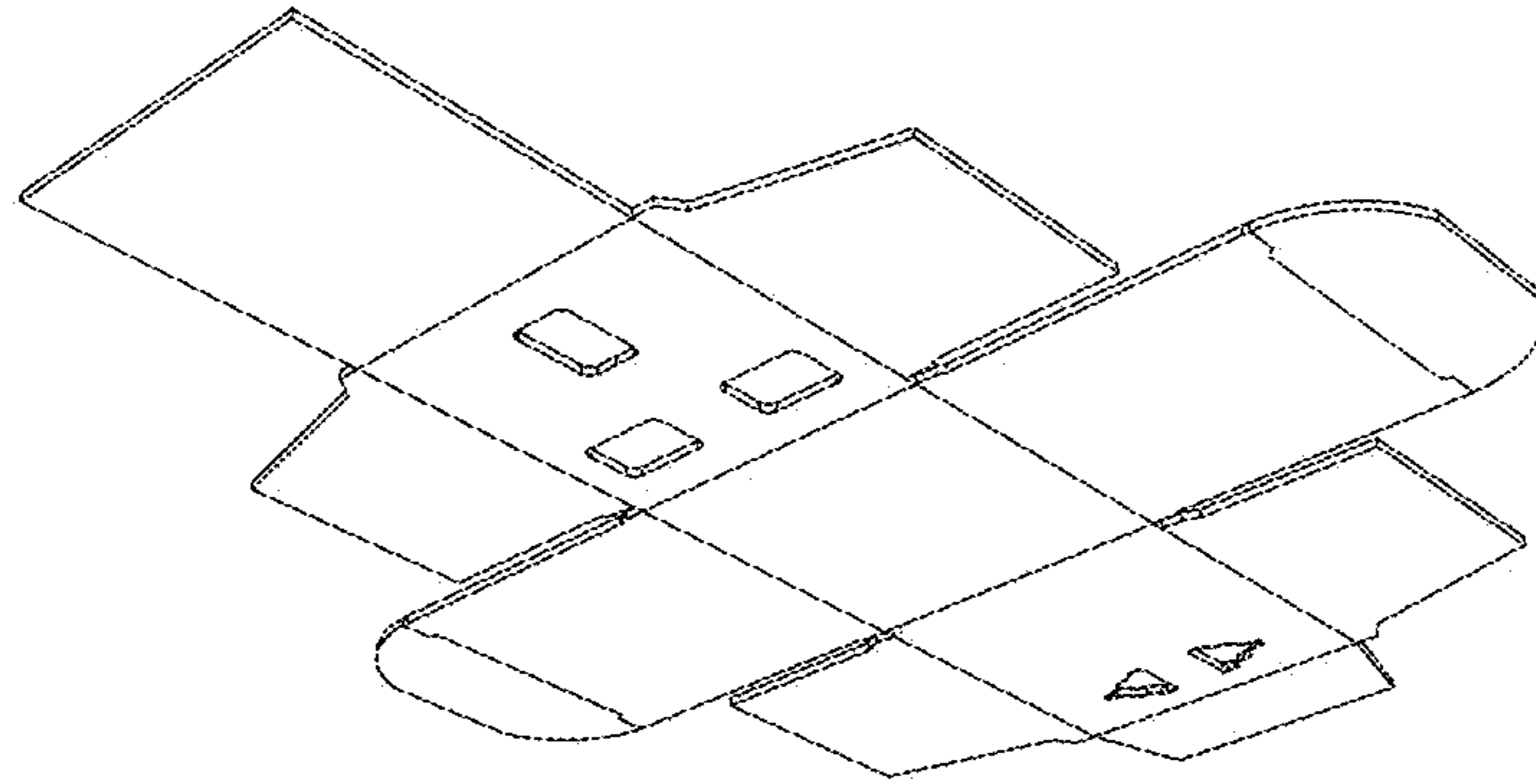


FIG. 8

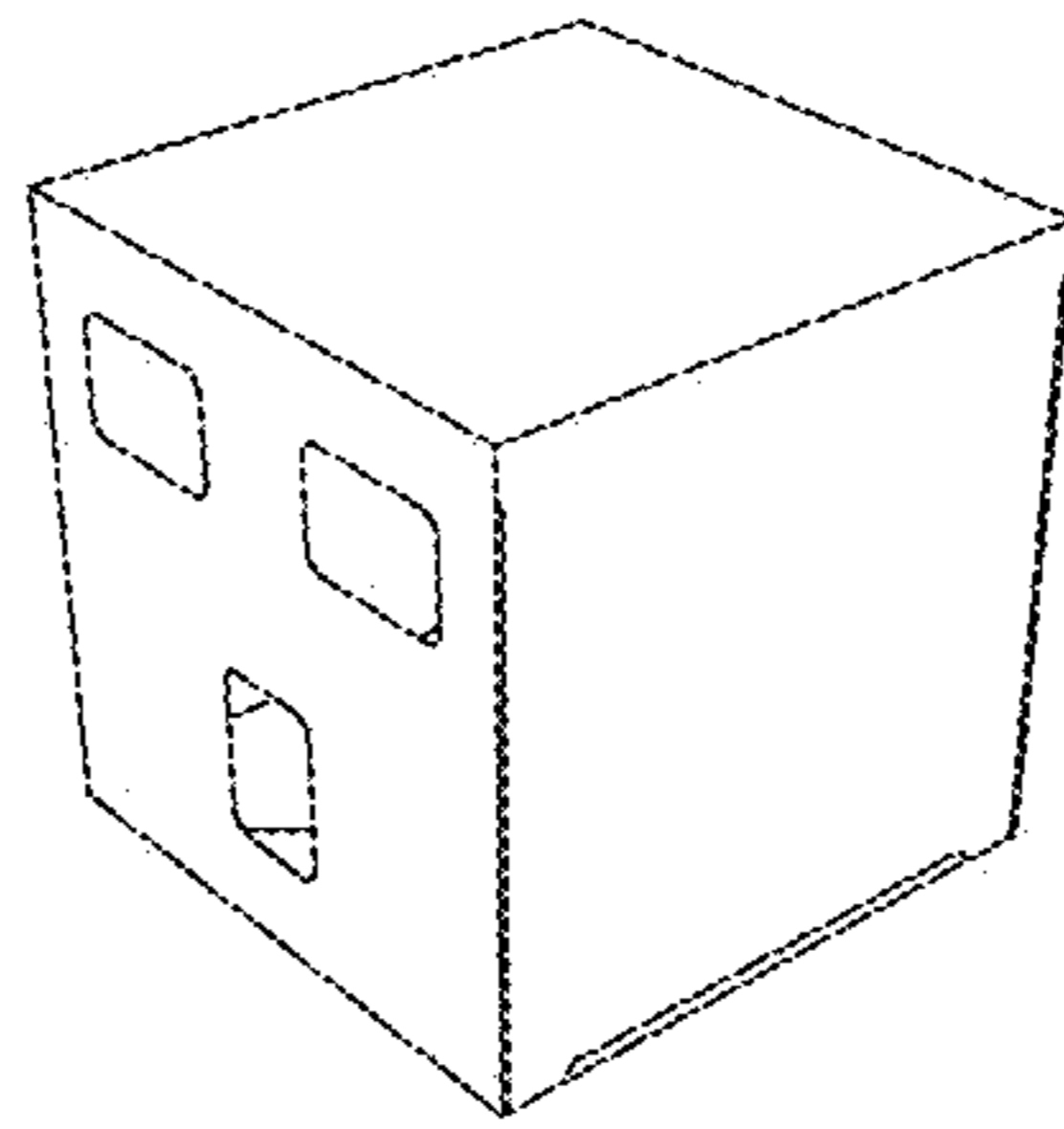


FIG. 9

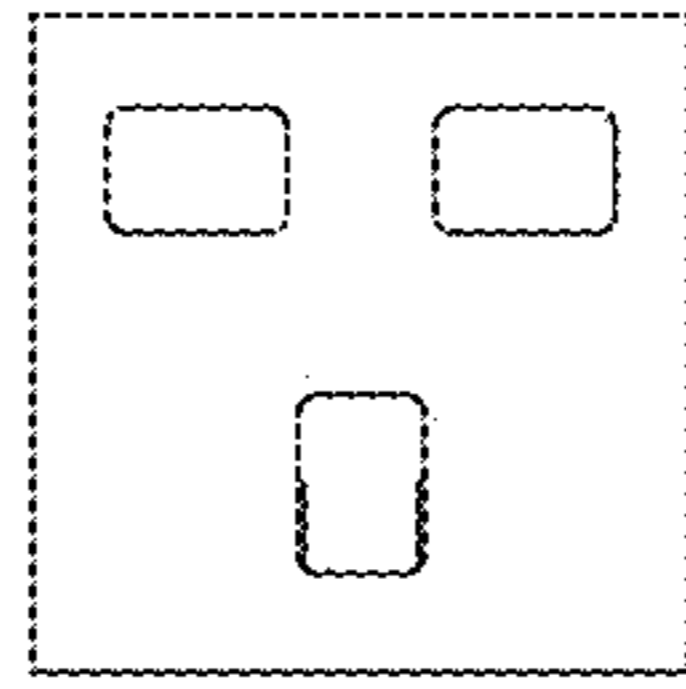


FIG. 10

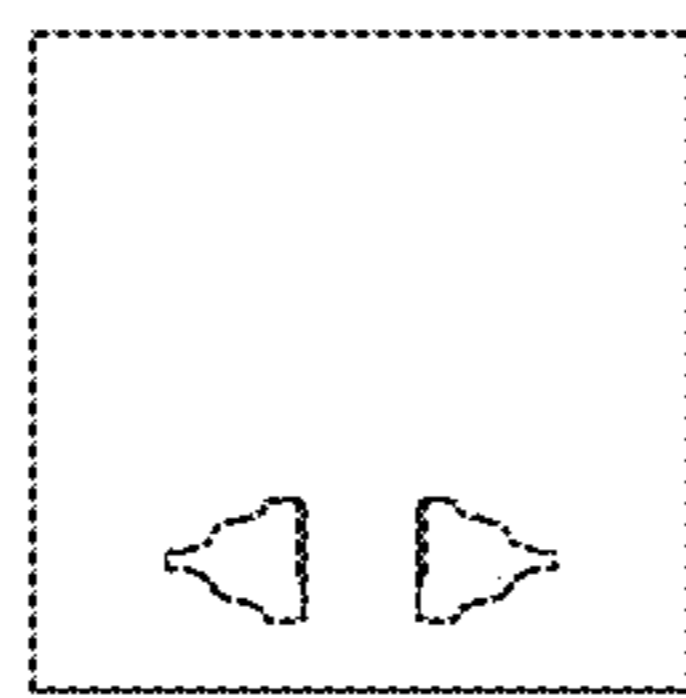


FIG. 11

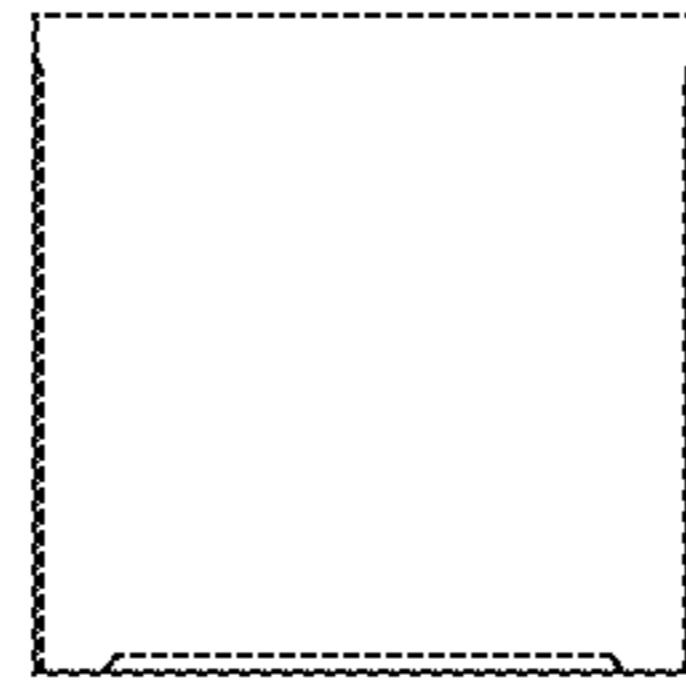


FIG. 12

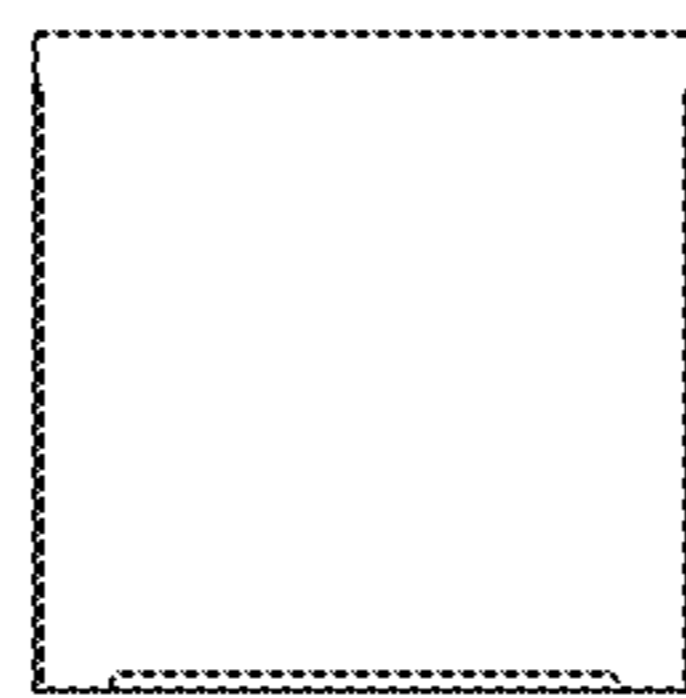


FIG. 13

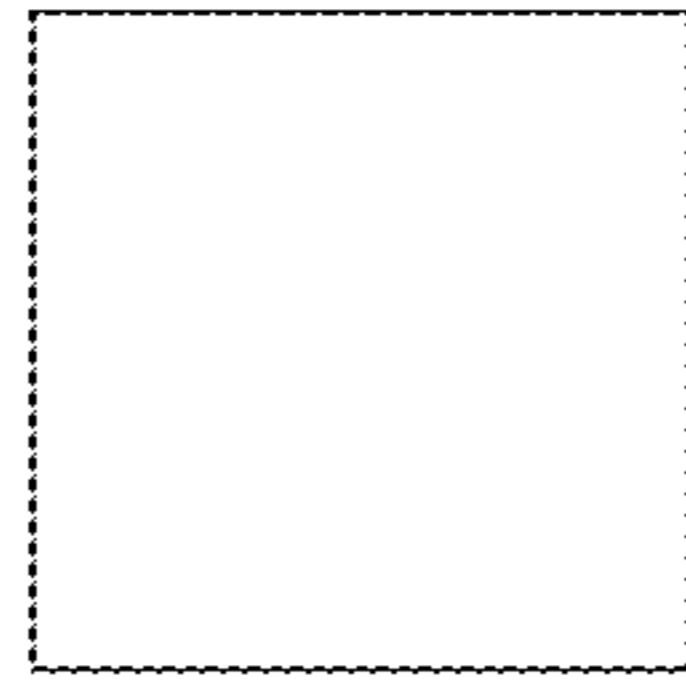


FIG. 14

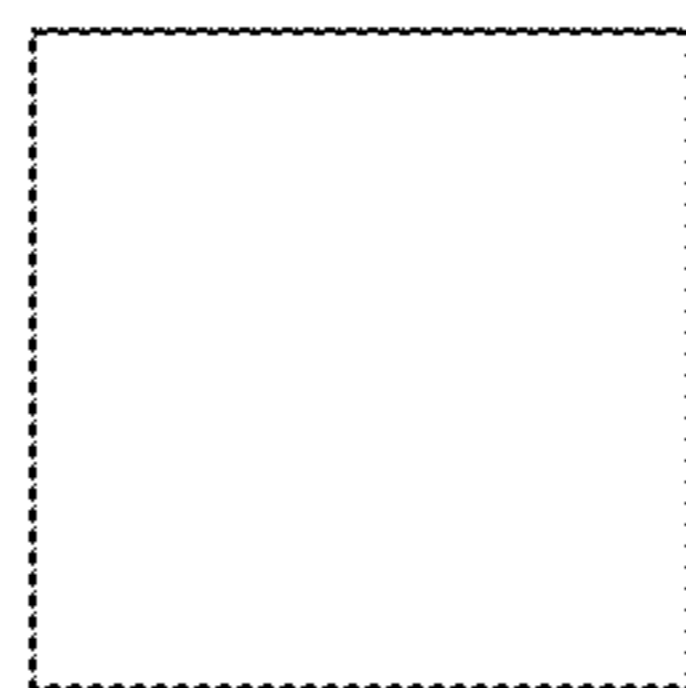


FIG. 15

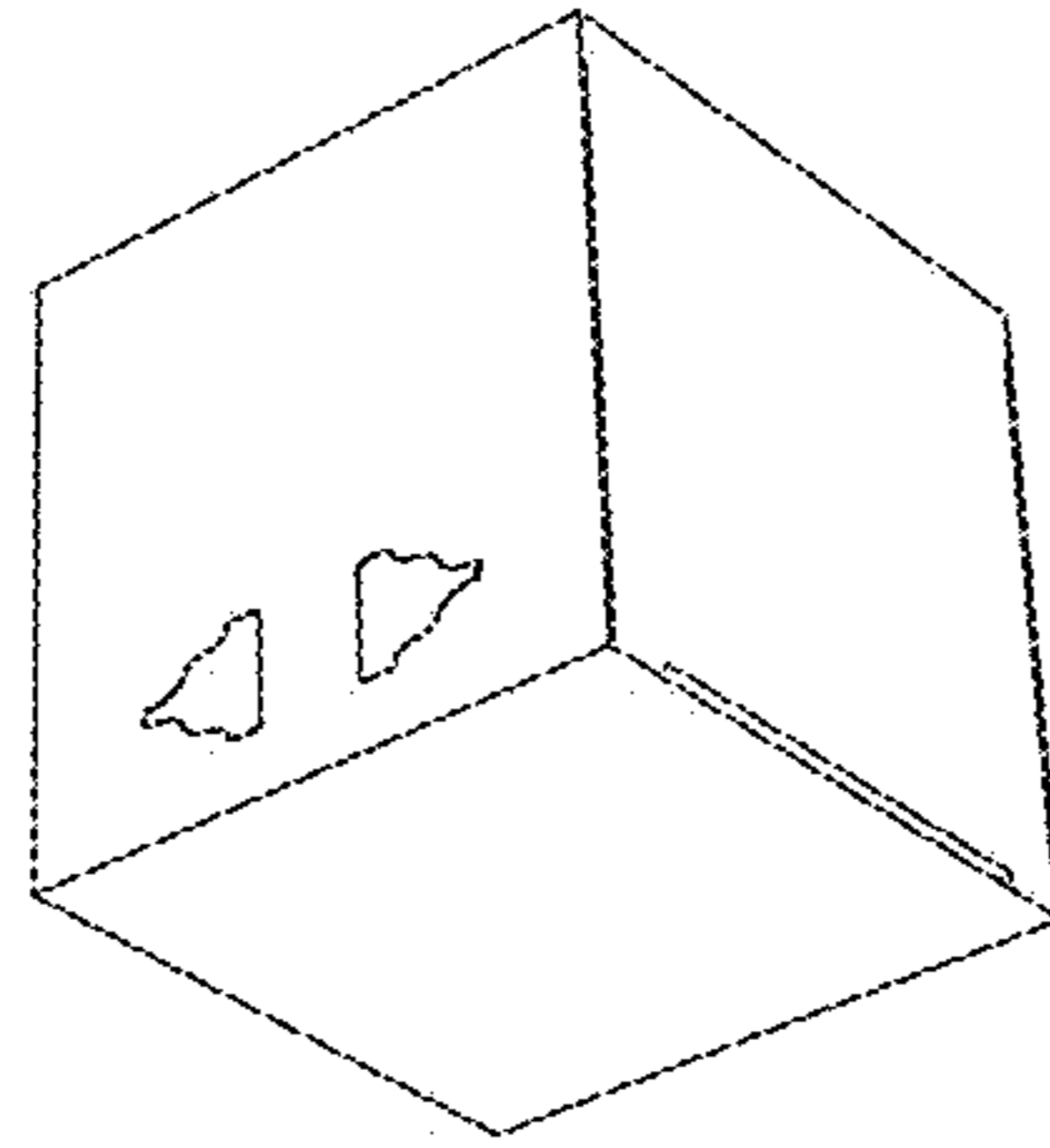


FIG. 16