



US00D918714S

(12) **United States Design Patent**
Blomberg et al.

(10) **Patent No.:** **US D918,714 S**

(45) **Date of Patent:** **** May 11, 2021**

- (54) **ACCESS-RESISTANT HOLDER**
- (71) Applicant: **POLLEN GEAR LLC**, Hermosa Beach, CA (US)
- (72) Inventors: **Shane Grant Blomberg**, Hermosa Beach, CA (US); **Edward Kilduff**, Hermosa Beach, CA (US)
- (73) Assignee: **POLLEN GEAR LLC**, Hermosa Beach, CA (US)
- (**) Term: **15 Years**
- (21) Appl. No.: **29/677,898**
- (22) Filed: **Jan. 24, 2019**

Related U.S. Application Data

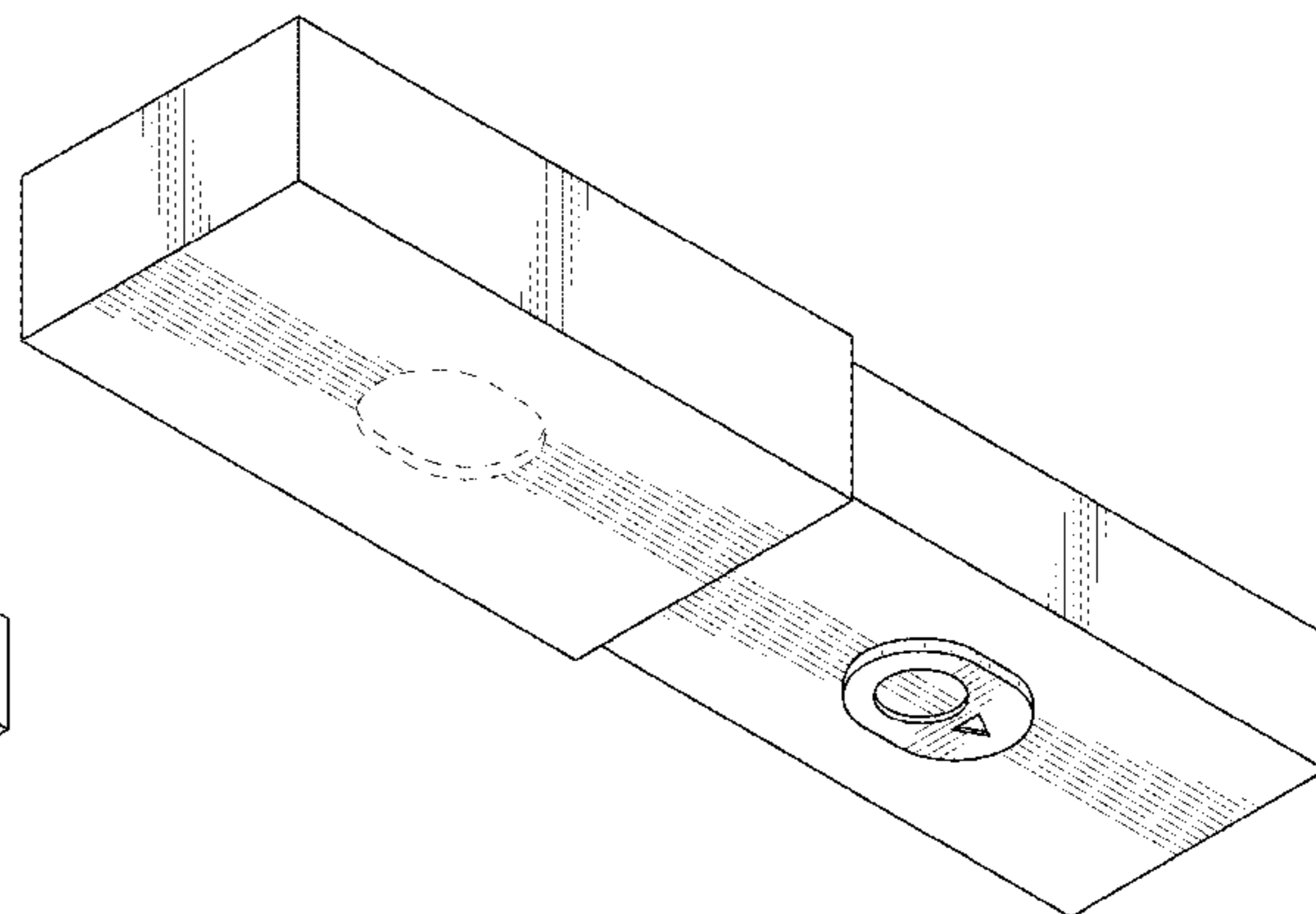
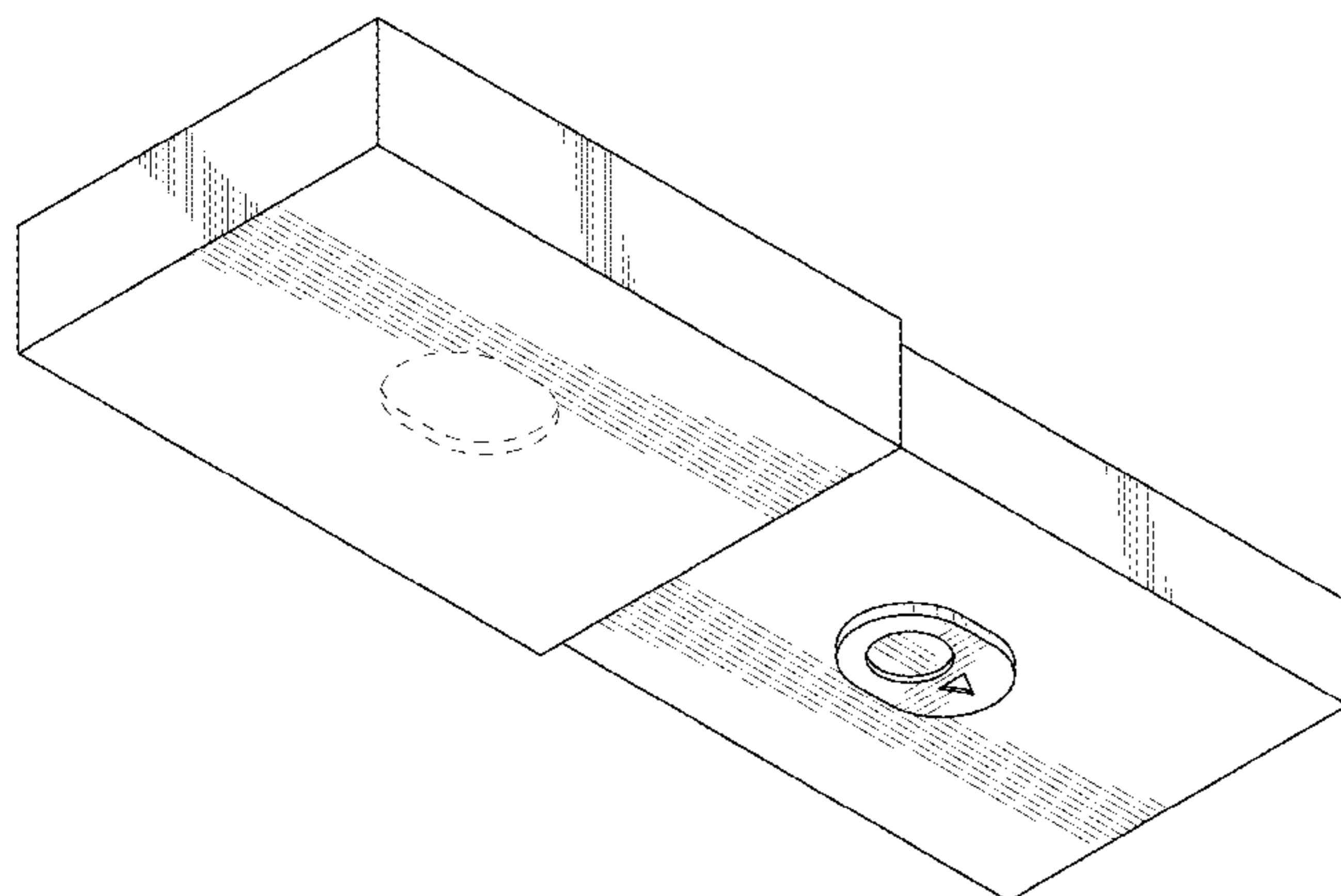
- (63) Continuation-in-part of application No. 29/670,338, filed on Nov. 15, 2018, and a continuation-in-part of application No. 29/658,099, filed on Jul. 27, 2018.
- (51) **LOC (13) Cl.** **09-03**
- (52) **U.S. Cl.**
USPC **D9/432**; D9/418
- (58) **Field of Classification Search**
USPC D9/414-423, 424-429, 430-433, 434, D9/456, 457, 711, 713, 721-722, 737, D9/756, 758, 759, 760; D20/10, 22, 27, D20/40, 42; D3/272-274, 290, 304, 305, D3/315
CPC ... B65D 5/00; B65D 5/02; B65D 5/18; B65D 5/20
See application file for complete search history.

References Cited

U.S. PATENT DOCUMENTS

- 3,888,350 A * 6/1975 Horvath B65D 43/12 206/531
- 4,113,098 A * 9/1978 Howard A61J 1/03 206/1.5
- 4,170,914 A * 10/1979 Carrier B65D 83/0864 206/38

- 4,561,544 A * 12/1985 Reeve B65D 11/12 206/1.5
- 4,844,284 A * 7/1989 Drozd B65D 50/045 220/281
- 5,080,222 A * 1/1992 McNary B65D 50/045 206/1.5
- 5,082,137 A * 1/1992 Weinstein B65D 43/20 206/1.5
- D406,921 S 3/1999 Roeder
- D430,436 S * 9/2000 Shimbo D6/515
- D439,743 S * 4/2001 DeVance D3/297
- 6,551,672 B2 4/2003 Hessok et al.
- D507,679 S 7/2005 Ashiwa et al.
- D522,866 S 6/2006 Bakic
- D552,984 S * 10/2007 Baron D9/418
- D565,952 S 4/2008 Mettler et al.
- D624,239 S 9/2010 Breidenbach et al.
- 7,798,329 B2 * 9/2010 Gelardi B65D 83/0463 206/1.5
- D626,005 S 10/2010 Duquet
- D628,089 S 11/2010 Ashiwa et al.
- D632,169 S * 2/2011 Ruth D9/418
- D668,141 S * 10/2012 Collins D9/423
- D668,534 S * 10/2012 Collins D9/423
- D668,948 S * 10/2012 LaTrobe D9/418
- D706,129 S * 6/2014 Boraczek D9/418
- D715,156 S 10/2014 Park
- 8,955,671 B1 * 2/2015 Barnett B65D 25/22 206/1.5
- 8,956,066 B2 2/2015 Young et al.
- D732,893 S 6/2015 Bronwasser et al.
- D735,946 S 8/2015 Ko
- D737,149 S 8/2015 Son
- D745,388 S * 12/2015 Taylor D9/418
- D758,191 S * 6/2016 Tu D9/414
- D795,083 S * 8/2017 Safiullin D9/756
- D799,328 S 10/2017 Puigbo
- 9,938,042 B1 * 4/2018 Aryanpanah B65D 50/04
- D827,450 S 9/2018 Loukov
- D828,113 S 9/2018 Fleischhut
- D828,164 S 9/2018 Kim
- D843,128 S * 3/2019 Pena D6/515
- D868,575 S * 12/2019 Davidson, Jr. D9/418
- D878,197 S * 3/2020 Griffin D9/432
- 2004/0099565 A1 * 5/2004 Dehlin B65D 5/38 206/536
- 2009/0152134 A1 * 6/2009 Katsis A24F 27/00 206/96
- 2009/0200307 A1 * 8/2009 Giraud B65D 50/04 220/326
- 2009/0266837 A1 * 10/2009 Gelardi B65D 50/046 221/154



2010/0012534	A1	1/2010	Hoffman	
2010/0038278	A1*	2/2010	Gattefosse	B65D 50/046 206/531
2017/0137167	A1*	5/2017	Warner	A61J 1/03
2018/0022534	A1*	1/2018	McCormick	B65D 83/0805 206/278
2019/0201285	A1*	7/2019	Warden	A61J 1/03

OTHER PUBLICATIONS

Button Box Pollen Gear, [online] Retrieved Mar. 11, 20 from URL: <https://pollengear.com/button-box-packaging/>.*

10 formati 3 colori di Lusso nero kraft paper box scorrevole, di cartone cassetto box, CD manica Nero casella di scorrimento gift box Personalizzata . [online] Retrieved Mar. 11, 2020 from URL: <https://it.aliexpress.com/item/32796887026.html>.*

* cited by examiner

Primary Examiner — Vy N Koenig
(74) *Attorney, Agent, or Firm* — RMCK Law Group PLC

(57) **CLAIM**

The ornamental design for an access-resistant holder, as shown and described.

DESCRIPTION

FIG. 1 is a top perspective view of an access-resistant holder in an open condition in accordance with a first embodiment of our new design.

FIG. 2 is a bottom perspective view of the access-resistant holder of FIG. 1.

FIG. 3 is a top view of the access-resistant holder of FIG. 1.

FIG. 4 is a first side view of the access-resistant holder of FIG. 1.

FIG. 5 is a second side view of the access-resistant holder of FIG. 1.

FIG. 6 is a bottom view of the access-resistant holder of FIG. 1.

FIG. 7 is a third side view of the access-resistant holder of FIG. 1.

FIG. 8 is a fourth side view of the access-resistant holder of FIG. 1.

FIG. 9 is a top perspective view of an access-resistant holder in a closed condition in accordance with the first embodiment of our new design.

FIG. 10 is a bottom perspective view of the access-resistant holder of FIG. 9.

FIG. 11 is a top view of the access-resistant holder of FIG. 9.

FIG. 12 is a first side view of the access-resistant holder of FIG. 9.

FIG. 13 is a bottom view of the access-resistant holder of FIG. 9.

FIG. 14 is a second side view of the access-resistant holder of FIG. 9.

FIG. 15 is a third side view of the access-resistant holder of FIG. 9.

FIG. 16 is a fourth side view of the access-resistant holder of FIG. 9.

FIG. 17 is a top perspective view of an access-resistant holder in an open condition in accordance with a second embodiment of our new design.

FIG. 18 is a bottom perspective view of the access-resistant holder of FIG. 17.

FIG. 19 is a top view of the access-resistant holder of FIG. 17.

FIG. 20 is a first side view of the access-resistant holder of FIG. 17.

FIG. 21 is a second side view of the access-resistant holder of FIG. 17.

FIG. 22 is a bottom view of the access-resistant holder of FIG. 17.

FIG. 23 is a third side view of the access-resistant holder of FIG. 17.

FIG. 24 is a fourth side view of the access-resistant holder of FIG. 17.

FIG. 25 is a top perspective view of an access-resistant holder in a closed condition in accordance with the second embodiment of our new design.

FIG. 26 is a bottom perspective view of the access-resistant holder of FIG. 25.

FIG. 27 is a top view of the access-resistant holder of FIG. 25.

FIG. 28 is a first side view of the access-resistant holder of FIG. 25.

FIG. 29 is a bottom view of the access-resistant holder of FIG. 25.

FIG. 30 is a second side view of the access-resistant holder of FIG. 25.

FIG. 31 is a third side view of the access-resistant holder of FIG. 25.

FIG. 32 is a fourth side view of the access-resistant holder of FIG. 25.

FIG. 33 is a top perspective view of an access-resistant holder in an open condition in accordance with a third embodiment of our new design.

FIG. 34 is a bottom perspective view of the access-resistant holder of FIG. 33.

FIG. 35 is a top view of the access-resistant holder of FIG. 33.

FIG. 36 is a first side view of the access-resistant holder of FIG. 33.

FIG. 37 is a second side view of the access-resistant holder of FIG. 33.

FIG. 38 is a bottom view of the access-resistant holder of FIG. 33.

FIG. 39 is a third side view of the access-resistant holder of FIG. 33.

FIG. 40 is a fourth side view of the access-resistant holder of FIG. 33.

FIG. 41 is a top perspective view of an access-resistant holder in a closed condition in accordance with the third embodiment of our new design.

FIG. 42 is a bottom perspective view of the access-resistant holder of FIG. 41.

FIG. 43 is a top view of the access-resistant holder of FIG. 41.

FIG. 44 is a first side view of the access-resistant holder of FIG. 41.

FIG. 45 is a bottom view of the access-resistant holder of FIG. 41.

FIG. 46 is a second side view of the access-resistant holder of FIG. 41.

FIG. 47 is a third side view of the access-resistant holder of FIG. 41.

FIG. 48 is a fourth side view of the access-resistant holder of FIG. 41.

FIG. 49 is a top perspective view of an access-resistant holder in an open condition in accordance with a fourth embodiment of our new design.

FIG. 50 is a bottom perspective view of the access-resistant holder of FIG. 49.

FIG. 51 is a top view of the access-resistant holder of FIG. 49.

FIG. 52 is a first side view of the access-resistant holder of FIG. 49.

FIG. 53 is a second side view of the access-resistant holder of FIG. 49.

FIG. 54 is a bottom view of the access-resistant holder of FIG. 49.

FIG. 55 is a third side view of the access-resistant holder of FIG. 49.

FIG. 56 is a fourth side view of the access-resistant holder of FIG. 49.

FIG. 57 is a top perspective view of an access-resistant holder in a closed condition in accordance with the fourth embodiment of our new design.

FIG. 58 is a bottom perspective view of the access-resistant holder of FIG. 57.

FIG. 59 is a top view of the access-resistant holder of FIG. 57.

FIG. 60 is a first side view of the access-resistant holder of FIG. 57.

FIG. 61 is a bottom view of the access-resistant holder of FIG. 57.

FIG. 62 is a second side view of the access-resistant holder of FIG. 57.

FIG. 63 is a third side view of the access-resistant holder of FIG. 57.

FIG. 64 is a fourth side view of the access-resistant holder of FIG. 57.

FIG. 65 is a top perspective view of an access-resistant holder in an open condition in accordance with a fifth embodiment of our new design.

FIG. 66 is a bottom perspective view of the access-resistant holder of FIG. 65.

FIG. 67 is a top view of the access-resistant holder of FIG. 65.

FIG. 68 is a first side view of the access-resistant holder of FIG. 65.

FIG. 69 is a second side view of the access-resistant holder of FIG. 65.

FIG. 70 is a bottom view of the access-resistant holder of FIG. 65.

FIG. 71 is a third side view of the access-resistant holder of FIG. 65.

FIG. 72 is a fourth side view of the access-resistant holder of FIG. 65.

FIG. 73 is a top perspective view of an access-resistant holder in a closed condition in accordance with the fifth embodiment of our new design.

FIG. 74 is a bottom perspective view of the access-resistant holder of FIG. 73.

FIG. 75 is a top view of the access-resistant holder of FIG. 73.

FIG. 76 is a first side view of the access-resistant holder of FIG. 73.

FIG. 77 is a bottom view of the access-resistant holder of FIG. 73.

FIG. 78 is a second side view of the access-resistant holder of FIG. 73.

FIG. 79 is a third side view of the access-resistant holder of FIG. 73.

FIG. 80 is a fourth side view of the access-resistant holder of FIG. 73.

FIG. 81 is a top perspective view of an access-resistant holder in an open condition in accordance with a sixth embodiment of our new design.

FIG. 82 is a bottom perspective view of the access-resistant holder of FIG. 81.

FIG. 83 is a top view of the access-resistant holder of FIG. 81.

FIG. 84 is a first side view of the access-resistant holder of FIG. 81.

FIG. 85 is a second side view of the access-resistant holder of FIG. 81.

FIG. 86 is a bottom view of the access-resistant holder of FIG. 81.

FIG. 87 is a third side view of the access-resistant holder of FIG. 81.

FIG. 88 is a fourth side view of the access-resistant holder of FIG. 81.

FIG. 89 is a top perspective view of an access-resistant holder in a closed condition in accordance with the sixth embodiment of our new design.

FIG. 90 is a bottom perspective view of the access-resistant holder of FIG. 89.

FIG. 91 is a top view of the access-resistant holder of FIG. 89.

FIG. 92 is a first side view of the access-resistant holder of FIG. 89.

FIG. 93 is a bottom view of the access-resistant holder of FIG. 89.

FIG. 94 is a second side view of the access-resistant holder of FIG. 89.

FIG. 95 is a third side view of the access-resistant holder of FIG. 89.

FIG. 96 is a fourth side view of the access-resistant holder of FIG. 89.

FIG. 97 is a top perspective view of an access-resistant holder in an open condition in accordance with a seventh embodiment of our new design.

FIG. 98 is a bottom perspective view of the access-resistant holder of FIG. 97.

FIG. 99 is a top view of the access-resistant holder of FIG. 97.

FIG. 100 is a first side view of the access-resistant holder of FIG. 97.

FIG. 101 is a second side view of the access-resistant holder of FIG. 97.

FIG. 102 is a bottom view of the access-resistant holder of FIG. 97.

FIG. 103 is a third side view of the access-resistant holder of FIG. 97.

FIG. 104 is a fourth side view of the access-resistant holder of FIG. 97.

FIG. 105 is a top perspective view of an access-resistant holder in a closed condition in accordance with the seventh embodiment of our new design.

FIG. 106 is a bottom perspective view of the access-resistant holder of FIG. 105.

FIG. 107 is a top view of the access-resistant holder of FIG. 105.

FIG. 108 is a first side view of the access-resistant holder of FIG. 105.

FIG. 109 is a bottom view of the access-resistant holder of FIG. 105.

FIG. 110 is a second side view of the access-resistant holder of FIG. 105.

FIG. 111 is a third side view of the access-resistant holder of FIG. 105.

FIG. 112 is a fourth side view of the access-resistant holder of FIG. 105.

FIG. 113 is a top perspective view of an access-resistant holder in an open condition in accordance with an eighth embodiment of our new design.

FIG. 114 is a bottom perspective view of the access-resistant holder of FIG. 113.

FIG. 115 is a top view of the access-resistant holder of FIG. 113.

FIG. 116 is a first side view of the access-resistant holder of FIG. 113.

FIG. 117 is a second side view of the access-resistant holder of FIG. 113.

FIG. 118 is a bottom view of the access-resistant holder of FIG. 113.

FIG. 119 is a third side view of the access-resistant holder of FIG. 113.

FIG. 120 is a fourth side view of the access-resistant holder of FIG. 113.

FIG. 121 is a top perspective view of an access-resistant holder in a closed condition in accordance with the eighth embodiment of our new design.

FIG. 122 is a bottom perspective view of the access-resistant holder of FIG. 121.

FIG. 123 is a top view of the access-resistant holder of FIG. 121.

FIG. 124 is a first side view of the access-resistant holder of FIG. 121.

FIG. 125 is a bottom view of the access-resistant holder of FIG. 121.

FIG. 126 is a second side view of the access-resistant holder of FIG. 121.

FIG. 127 is a third side view of the access-resistant holder of FIG. 121.

FIG. 128 is a fourth side view of the access-resistant holder of FIG. 121.

FIG. 129 is a top perspective view of an access-resistant holder in an open condition in accordance with a ninth embodiment of our new design.

FIG. 130 is a bottom perspective view of the access-resistant holder of FIG. 129.

FIG. 131 is a top view of the access-resistant holder of FIG. 129.

FIG. 132 is a first side view of the access-resistant holder of FIG. 129.

FIG. 133 is a second side view of the access-resistant holder of FIG. 129.

FIG. 134 is a bottom view of the access-resistant holder of FIG. 129.

FIG. 135 is a third side view of the access-resistant holder of FIG. 129.

FIG. 136 is a fourth side view of the access-resistant holder of FIG. 129.

FIG. 137 is a top perspective view of an access-resistant holder in a closed condition in accordance with the ninth embodiment of our new design.

FIG. 138 is a bottom perspective view of the access-resistant holder of FIG. 137.

FIG. 139 is a top view of the access-resistant holder of FIG. 137.

FIG. 140 is a first side view of the access-resistant holder of FIG. 137.

FIG. 141 is a bottom view of the access-resistant holder of FIG. 137.

FIG. 142 is a second side view of the access-resistant holder of FIG. 137.

FIG. 143 is a third side view of the access-resistant holder of FIG. 137.

FIG. 144 is a fourth side view of the access-resistant holder of FIG. 137.

FIG. 145 is a top perspective view of an access-resistant holder in an open condition in accordance with a tenth embodiment of our new design.

FIG. 146 is a bottom perspective view of the access-resistant holder of FIG. 145.

FIG. 147 is a top view of the access-resistant holder of FIG. 145.

FIG. 148 is a first side view of the access-resistant holder of FIG. 145.

FIG. 149 is a second side view of the access-resistant holder of FIG. 145.

FIG. 150 is a bottom view of the access-resistant holder of FIG. 145.

FIG. 151 is a third side view of the access-resistant holder of FIG. 145.

FIG. 152 is a fourth side view of the access-resistant holder of FIG. 145.

FIG. 153 is a top perspective view of an access-resistant holder in a closed condition in accordance with the tenth embodiment of our new design.

FIG. 154 is a bottom perspective view of the access-resistant holder of FIG. 153.

FIG. 155 is a top view of the access-resistant holder of FIG. 153.

FIG. 156 is a first side view of the access-resistant holder of FIG. 153.

FIG. 157 is a bottom view of the access-resistant holder of FIG. 153.

FIG. 158 is a second side view of the access-resistant holder of FIG. 153.

FIG. 159 is a third side view of the access-resistant holder of FIG. 153.

FIG. 160 is a fourth side view of the access-resistant holder of FIG. 153.

FIG. 161 is a top perspective view of an access-resistant holder in an open condition in accordance with an eleventh embodiment of our new design.

FIG. 162 is a bottom perspective view of the access-resistant holder of FIG. 161.

FIG. 163 is a top view of the access-resistant holder of FIG. 161.

FIG. 164 is a first side view of the access-resistant holder of FIG. 161.

FIG. 165 is a second side view of the access-resistant holder of FIG. 161.

FIG. 166 is a bottom view of the access-resistant holder of FIG. 161.

FIG. 167 is a third side view of the access-resistant holder of FIG. 161.

FIG. 168 is a fourth side view of the access-resistant holder of FIG. 161.

FIG. 169 is a top perspective view of an access-resistant holder in a closed condition in accordance with the eleventh embodiment of our new design.

FIG. 170 is a bottom perspective view of the access-resistant holder of FIG. 169.

FIG. 171 is a top view of the access-resistant holder of FIG. 169.

FIG. 172 is a first side view of the access-resistant holder of FIG. 169.

FIG. 173 is a bottom view of the access-resistant holder of FIG. 169.

FIG. 174 is a second side view of the access-resistant holder of FIG. 169.

FIG. 175 is a third side view of the access-resistant holder of FIG. 169.

FIG. 176 is a fourth side view of the access-resistant holder of FIG. 169.

FIG. 177 is a top perspective view of an access-resistant holder in an open condition in accordance with a twelfth embodiment of our new design.

FIG. 178 is a bottom perspective view of the access-resistant holder of FIG. 177.

FIG. 179 is a top view of the access-resistant holder of FIG. 177.

FIG. 180 is a first side view of the access-resistant holder of FIG. 177.

FIG. 181 is a second side view of the access-resistant holder of FIG. 177.

FIG. 182 is a bottom view of the access-resistant holder of FIG. 177.

FIG. 183 is a third side view of the access-resistant holder of FIG. 177.

FIG. 184 is a fourth side view of the access-resistant holder of FIG. 177.

FIG. 185 is a top perspective view of an access-resistant holder in a closed condition in accordance with the twelfth embodiment of our new design.

FIG. 186 is a bottom perspective view of the access-resistant holder of FIG. 185.

FIG. 187 is a top view of the access-resistant holder of FIG. 185.

FIG. 188 is a first side view of the access-resistant holder of FIG. 185.

FIG. 189 is a bottom view of the access-resistant holder of FIG. 185.

FIG. 190 is a second side view of the access-resistant holder of FIG. 185.

FIG. 191 is a third side view of the access-resistant holder of FIG. 185; and,

FIG. 192 is a fourth side view of the access-resistant holder of FIG. 185.

Any portion of the access-resistant holder shown in broken lines is for the purpose of illustrating environment structure and forms no part of the claimed design.

1 Claim, 60 Drawing Sheets

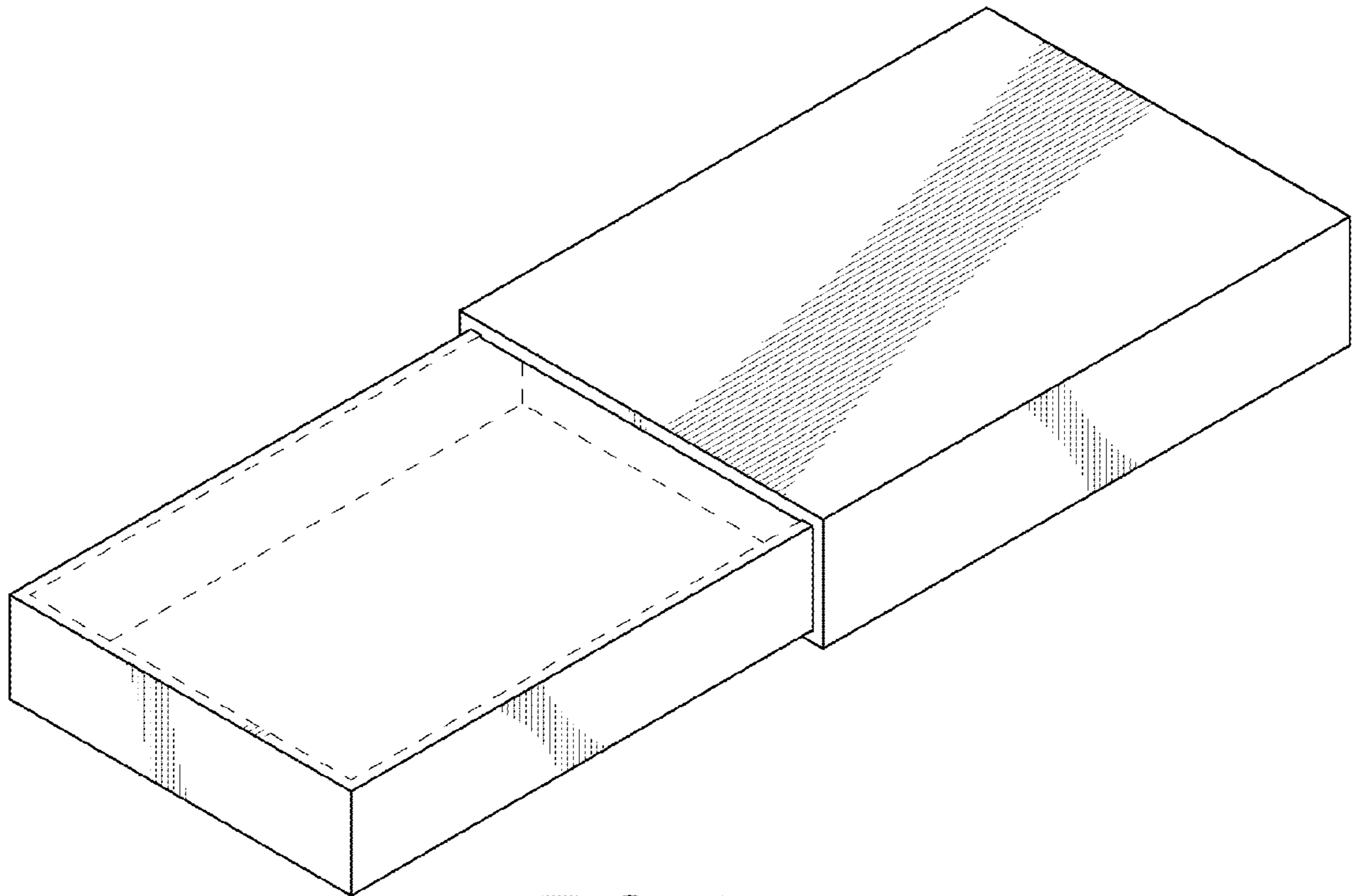


FIG. 1

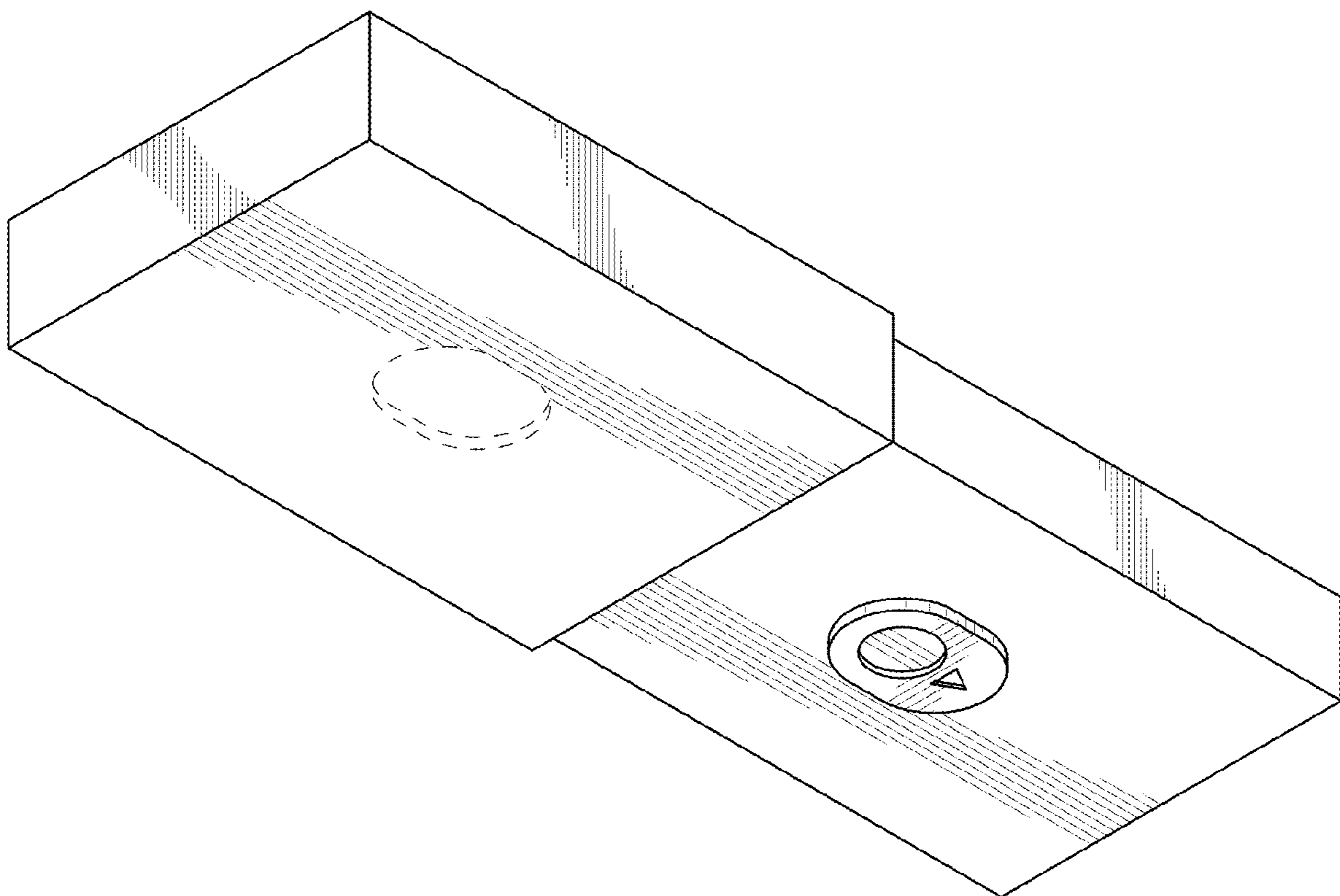


FIG. 2

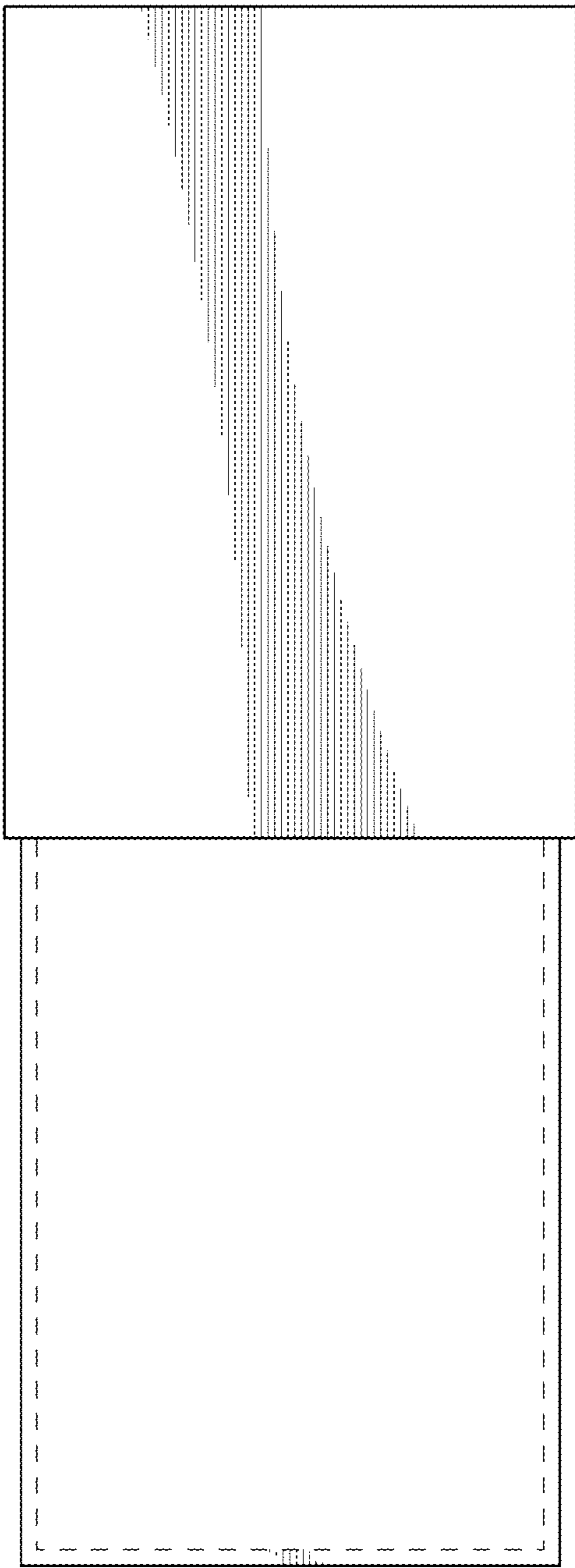


FIG. 3

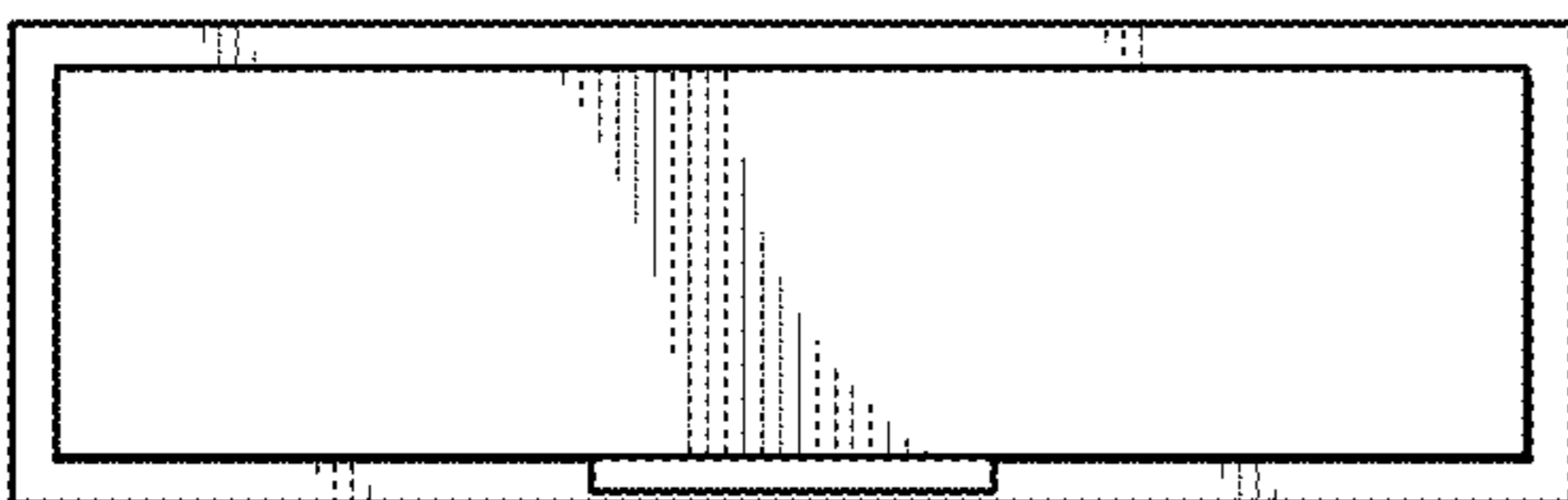


FIG. 4

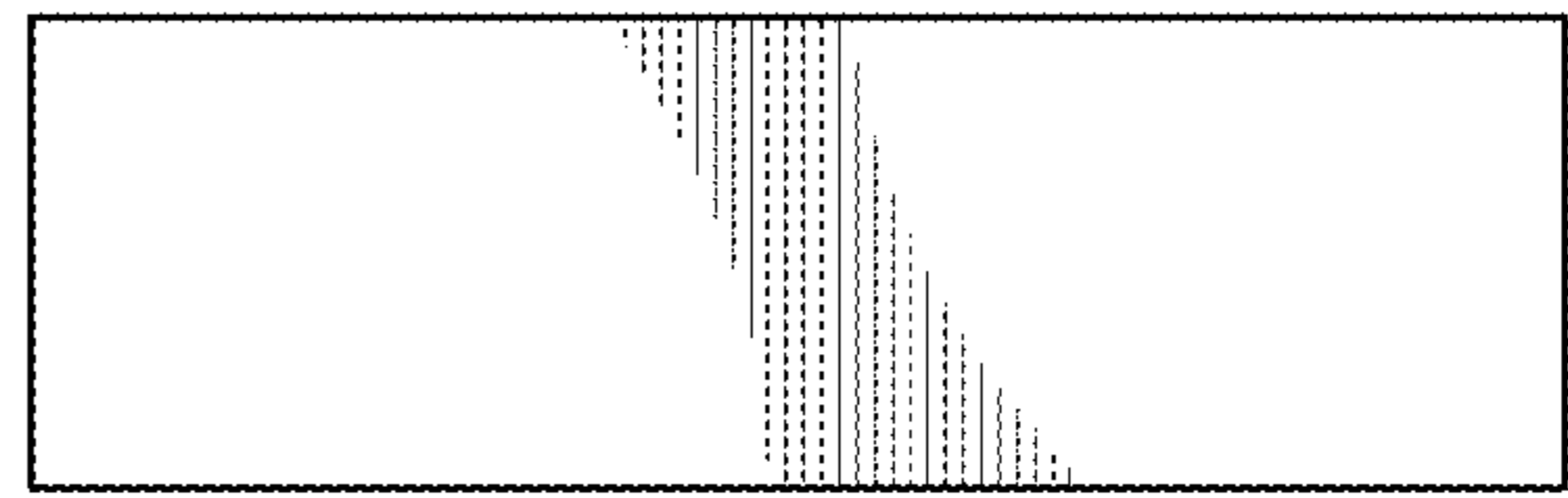


FIG. 5

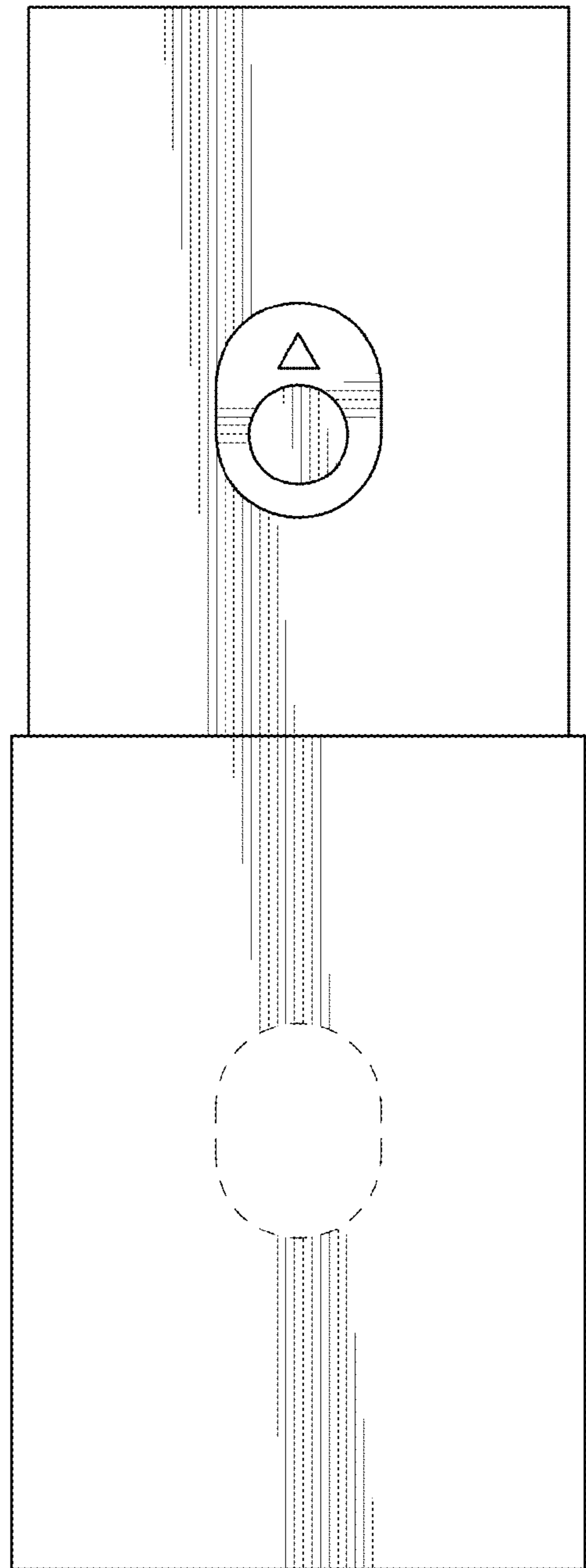


FIG. 6

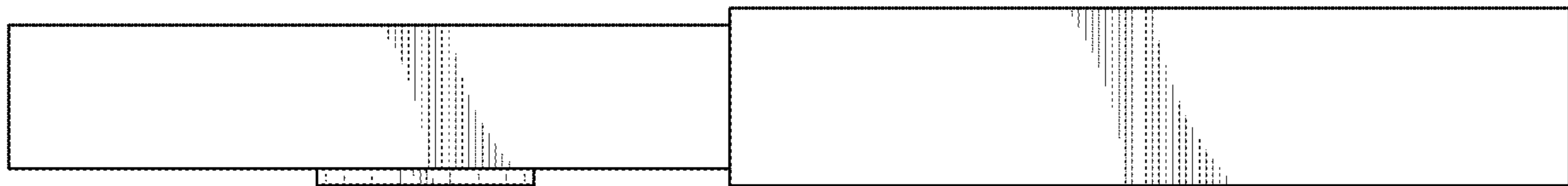


FIG. 7

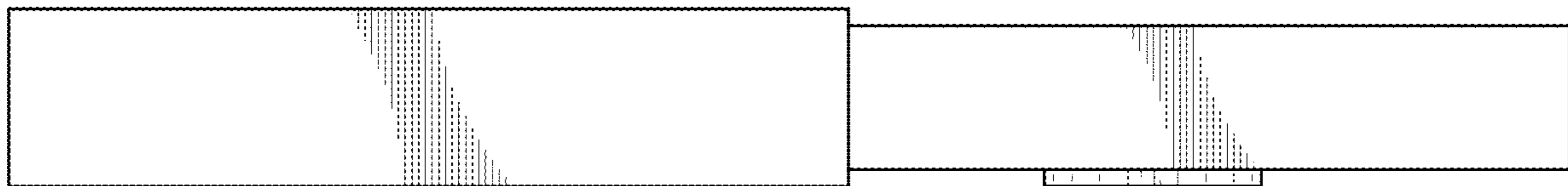


FIG. 8

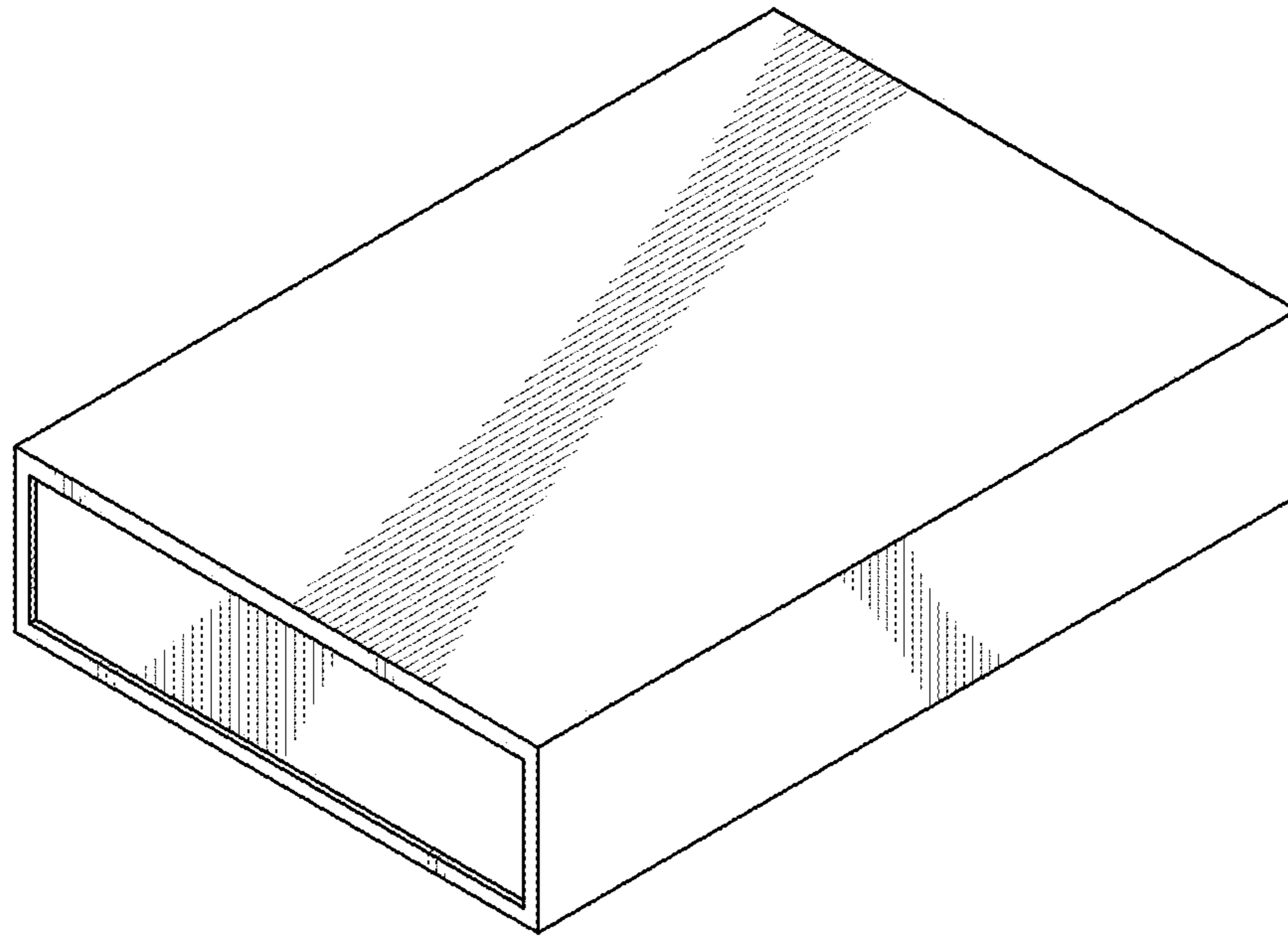


FIG. 9

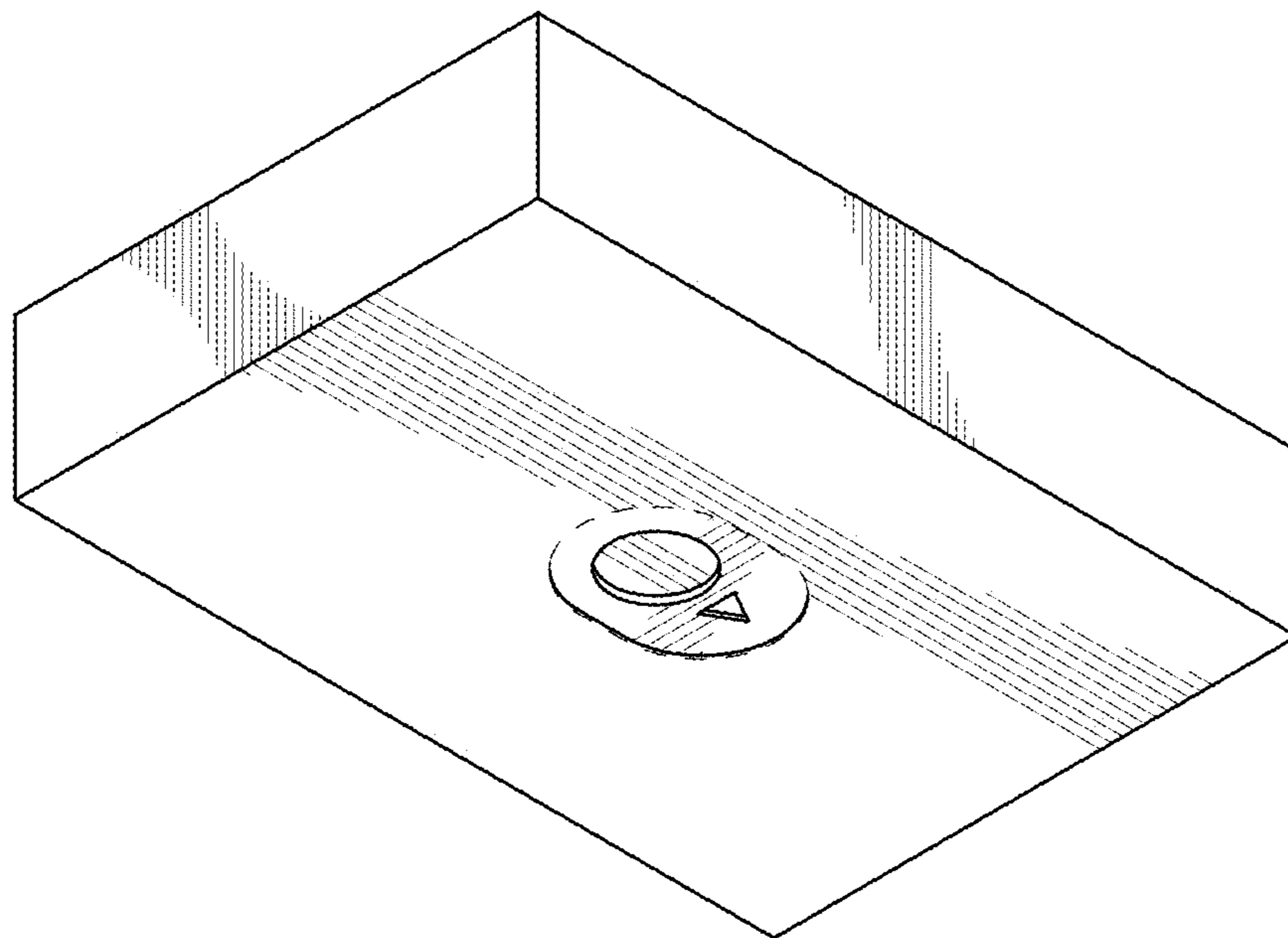


FIG. 10

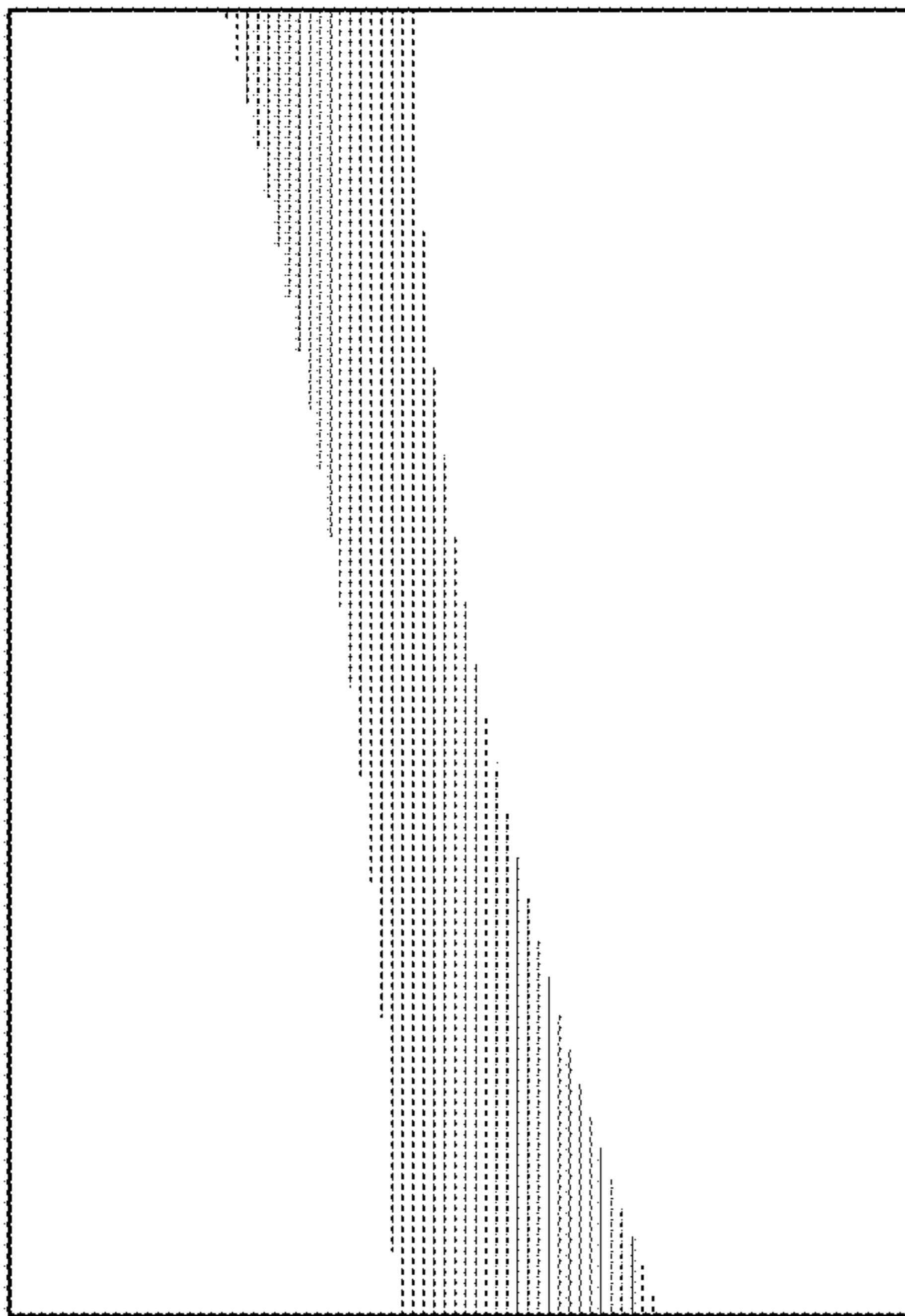


FIG. 11

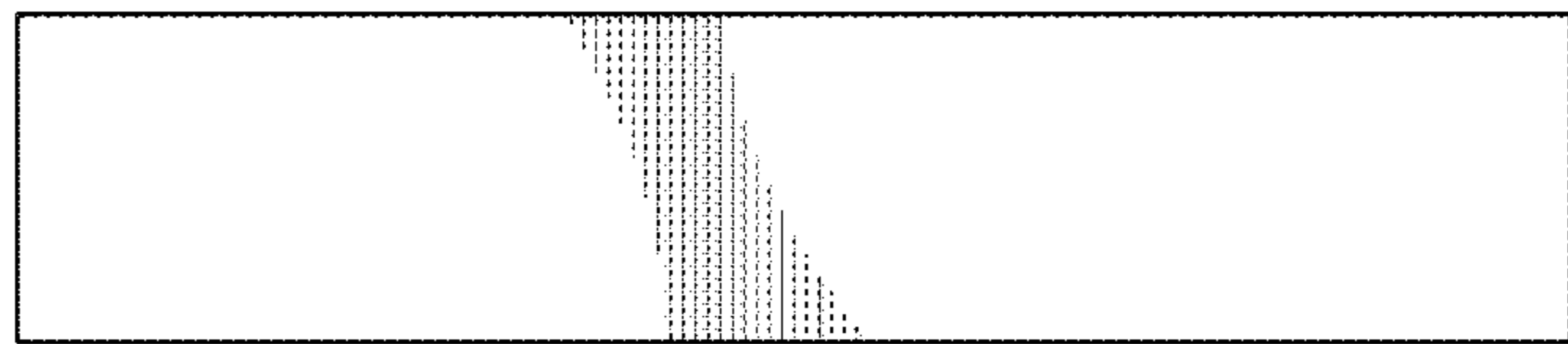


FIG. 14

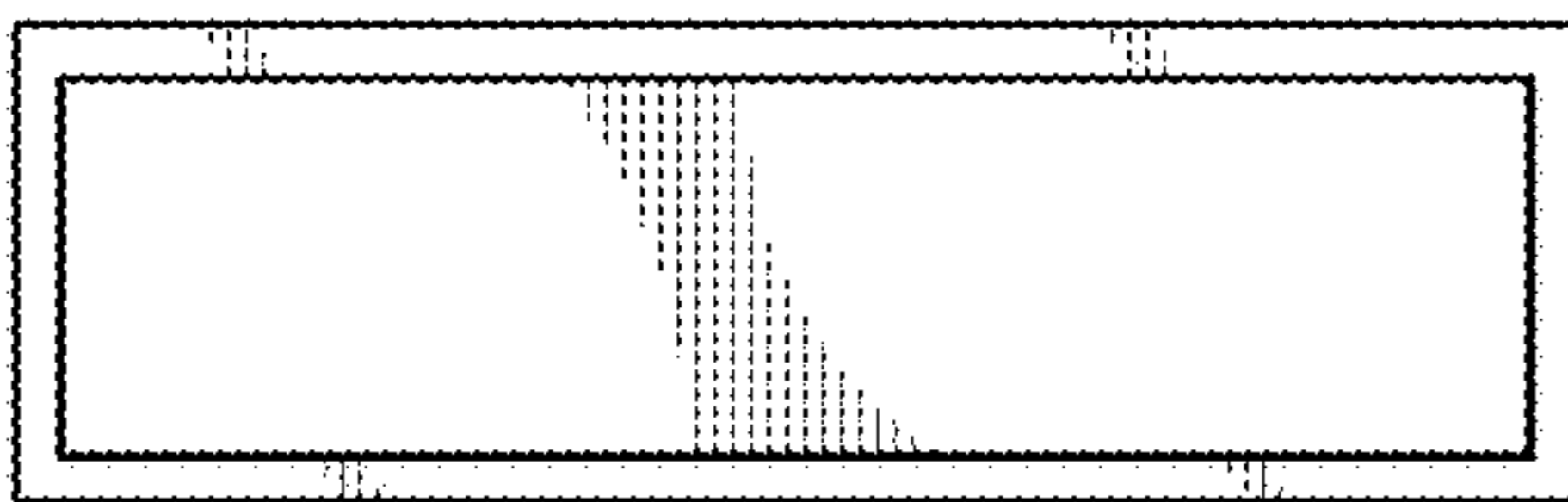


FIG. 12

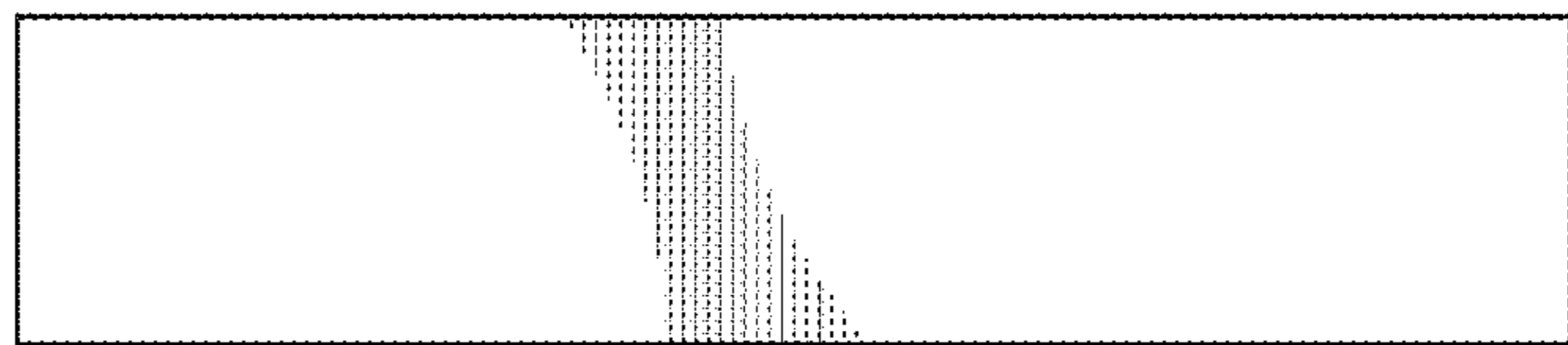


FIG. 15

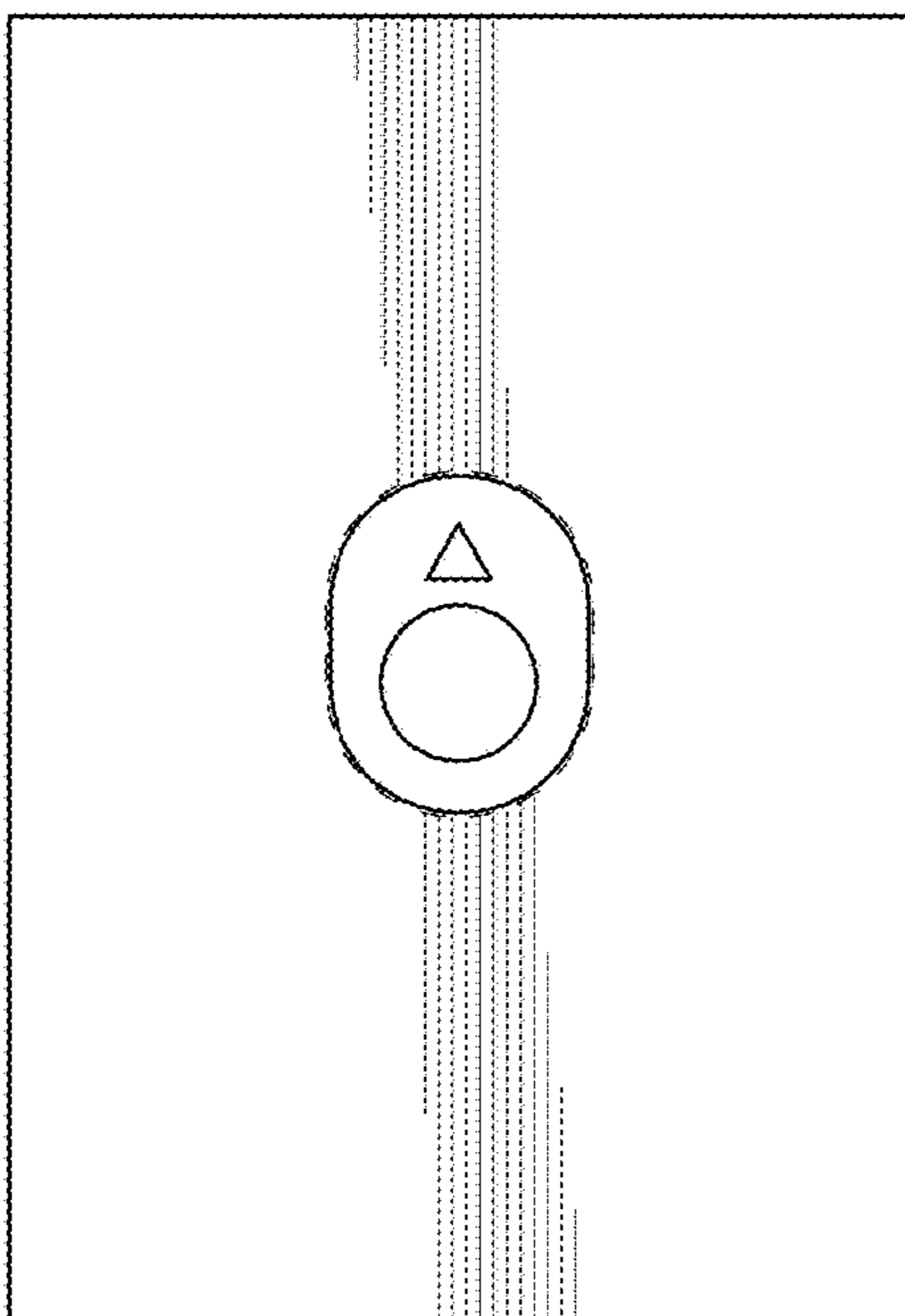


FIG. 13

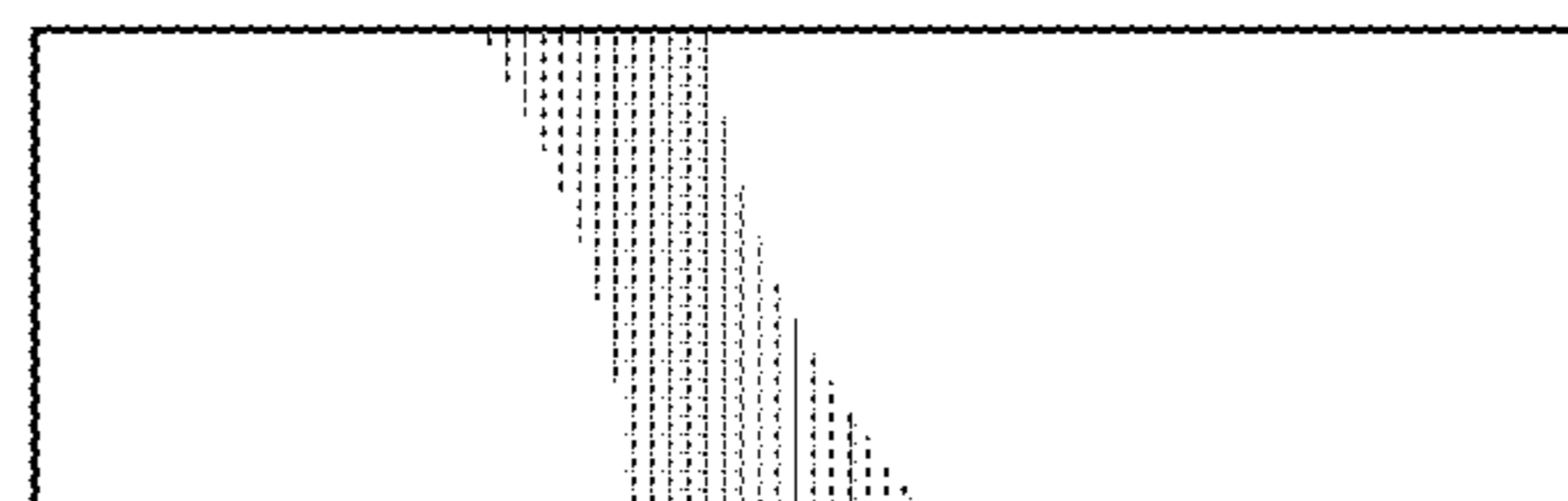


FIG. 16

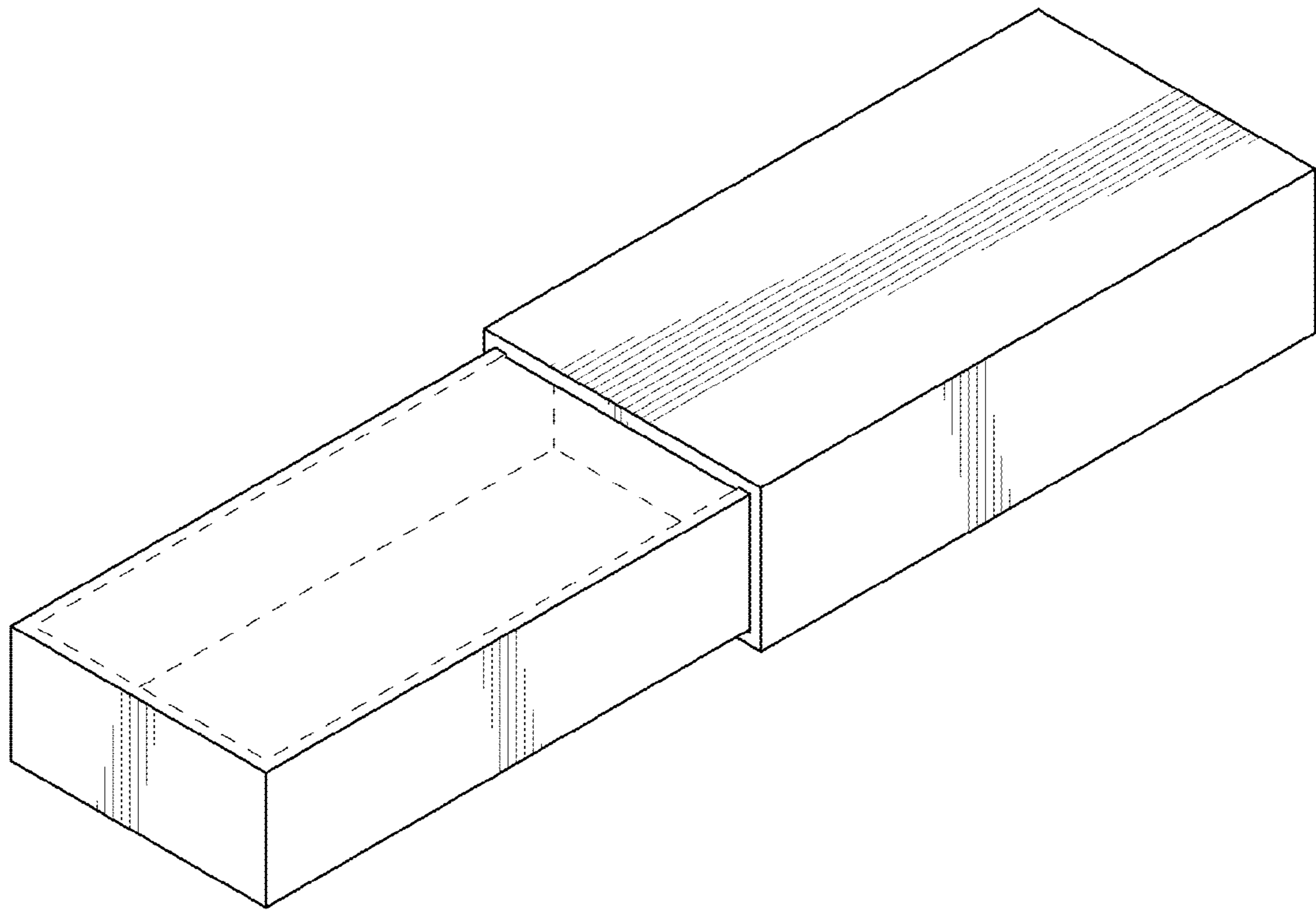


FIG. 17

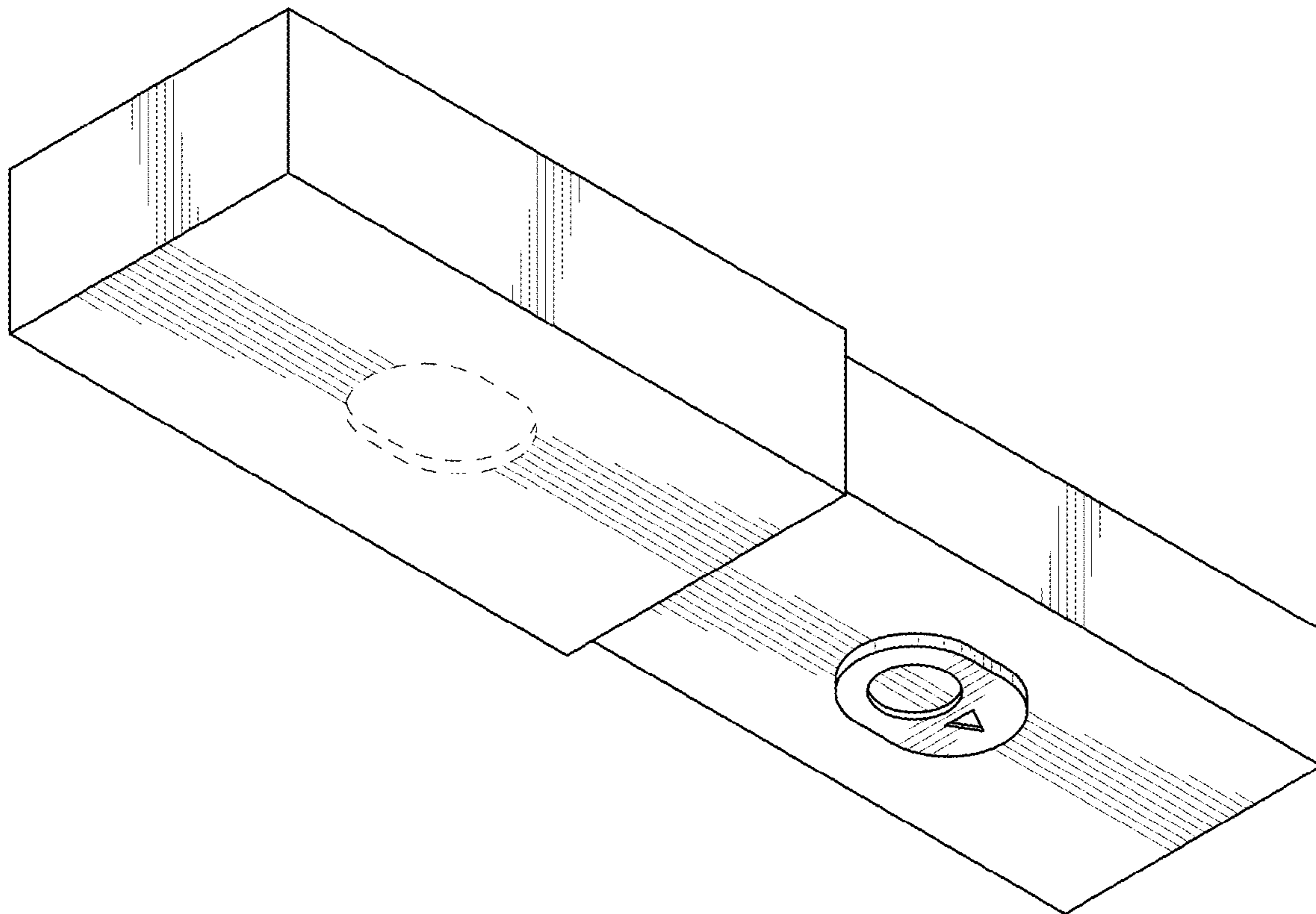


FIG. 18

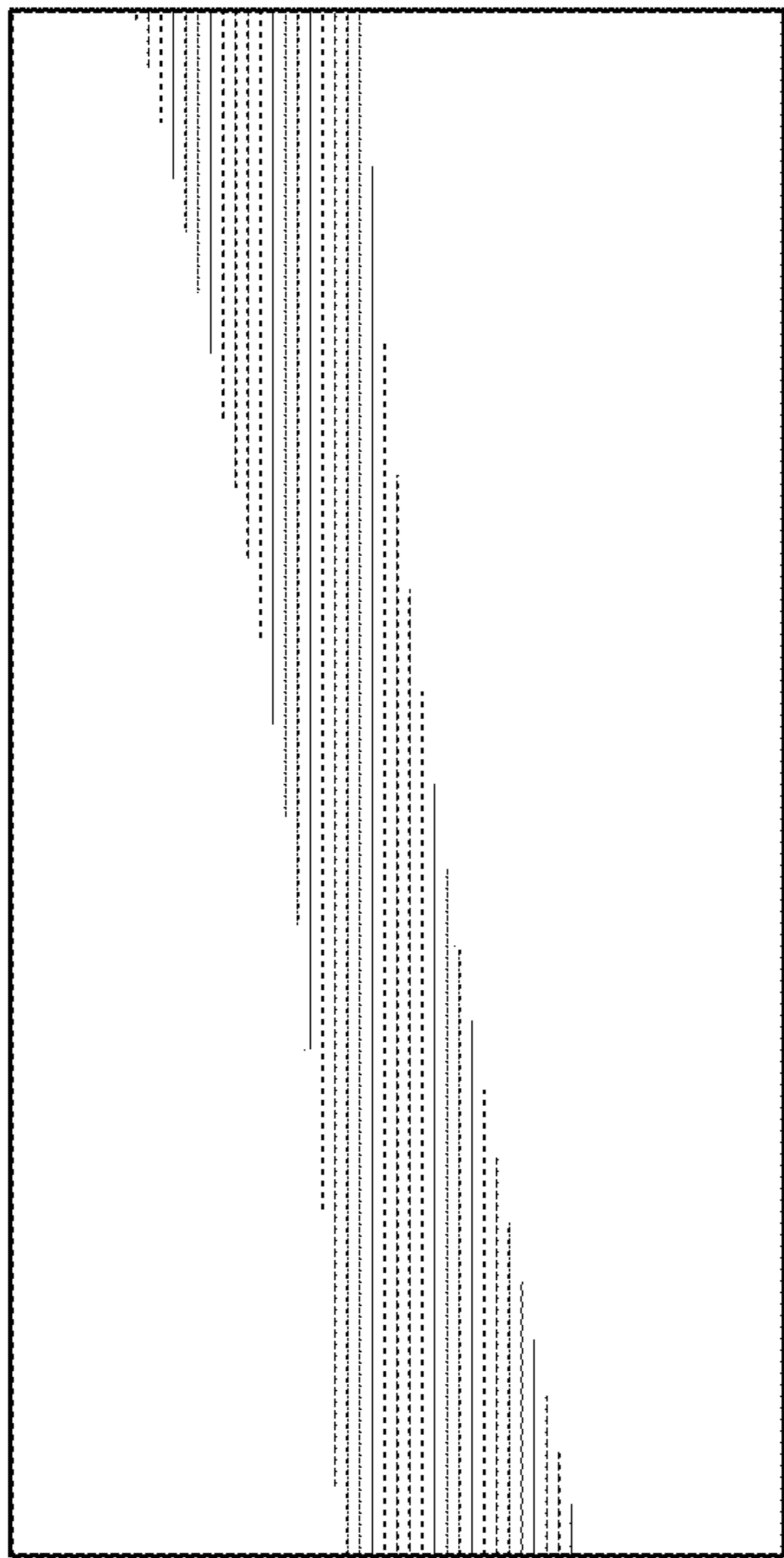


FIG. 19

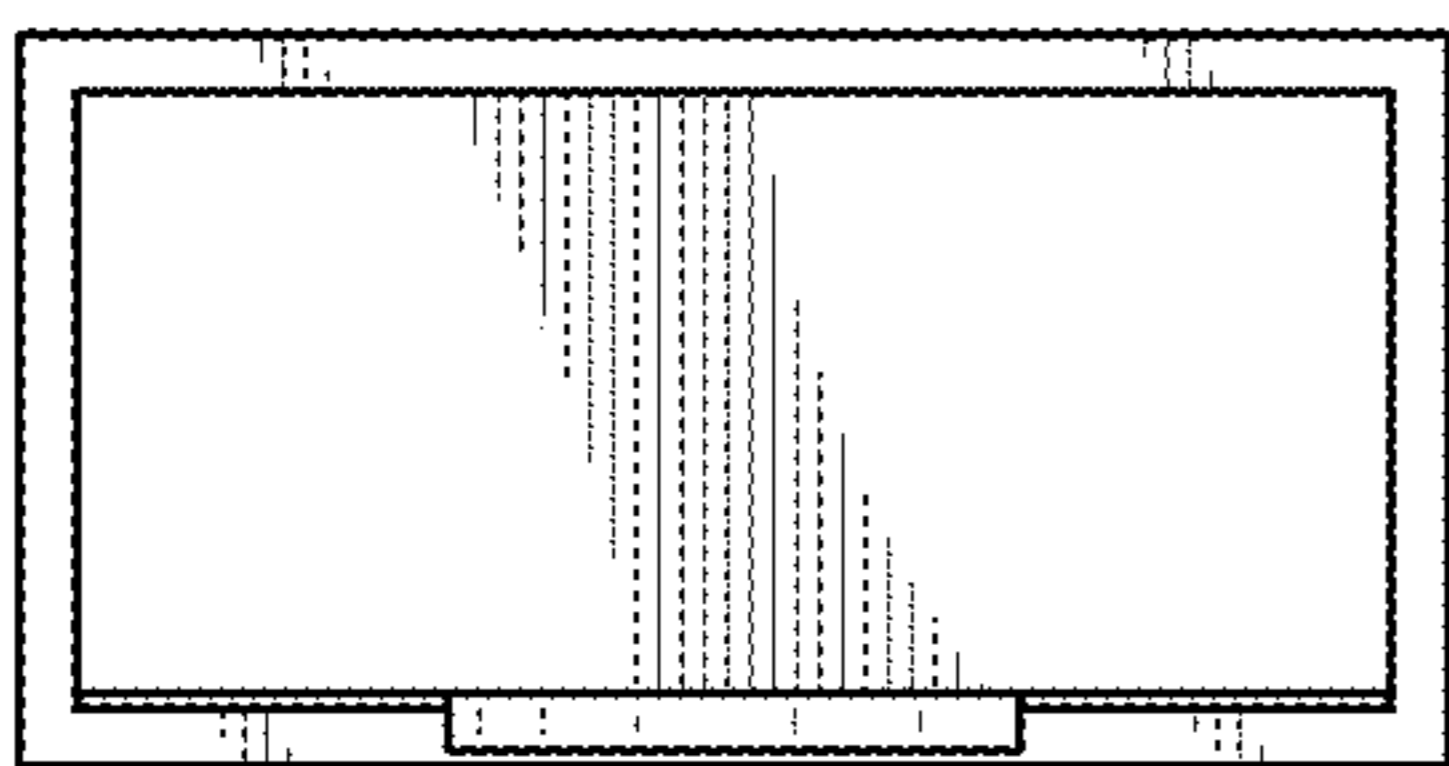


FIG. 20

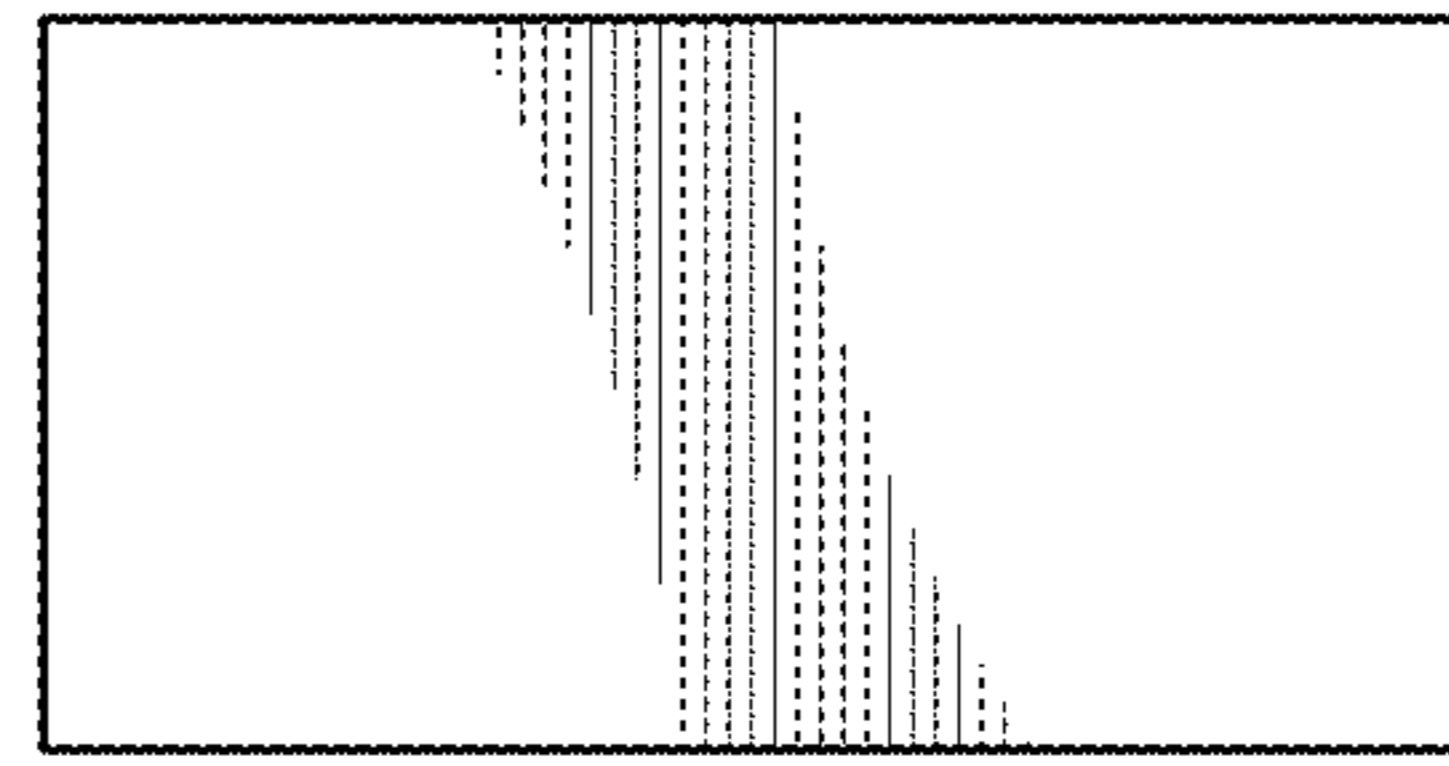


FIG. 21

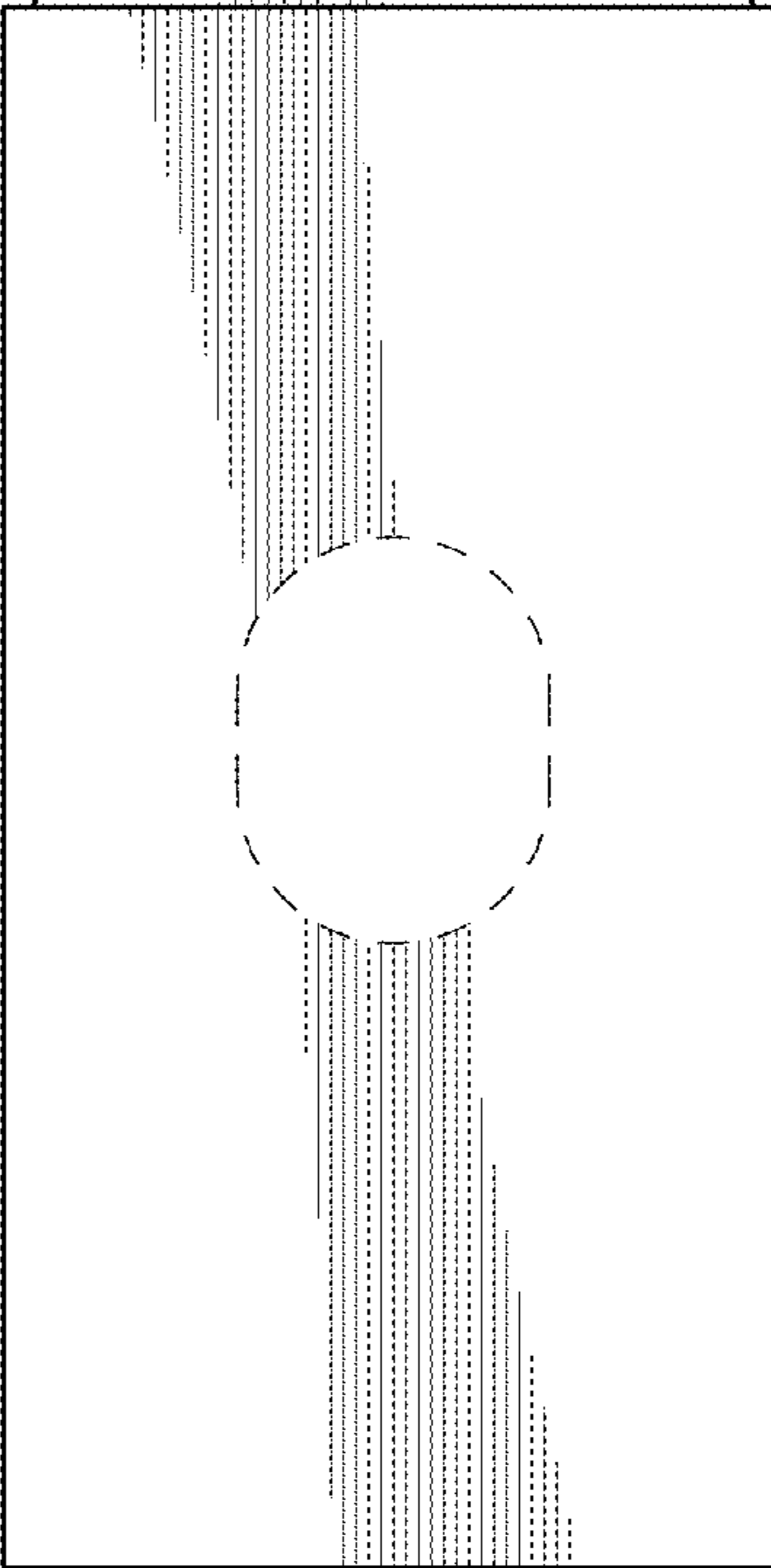
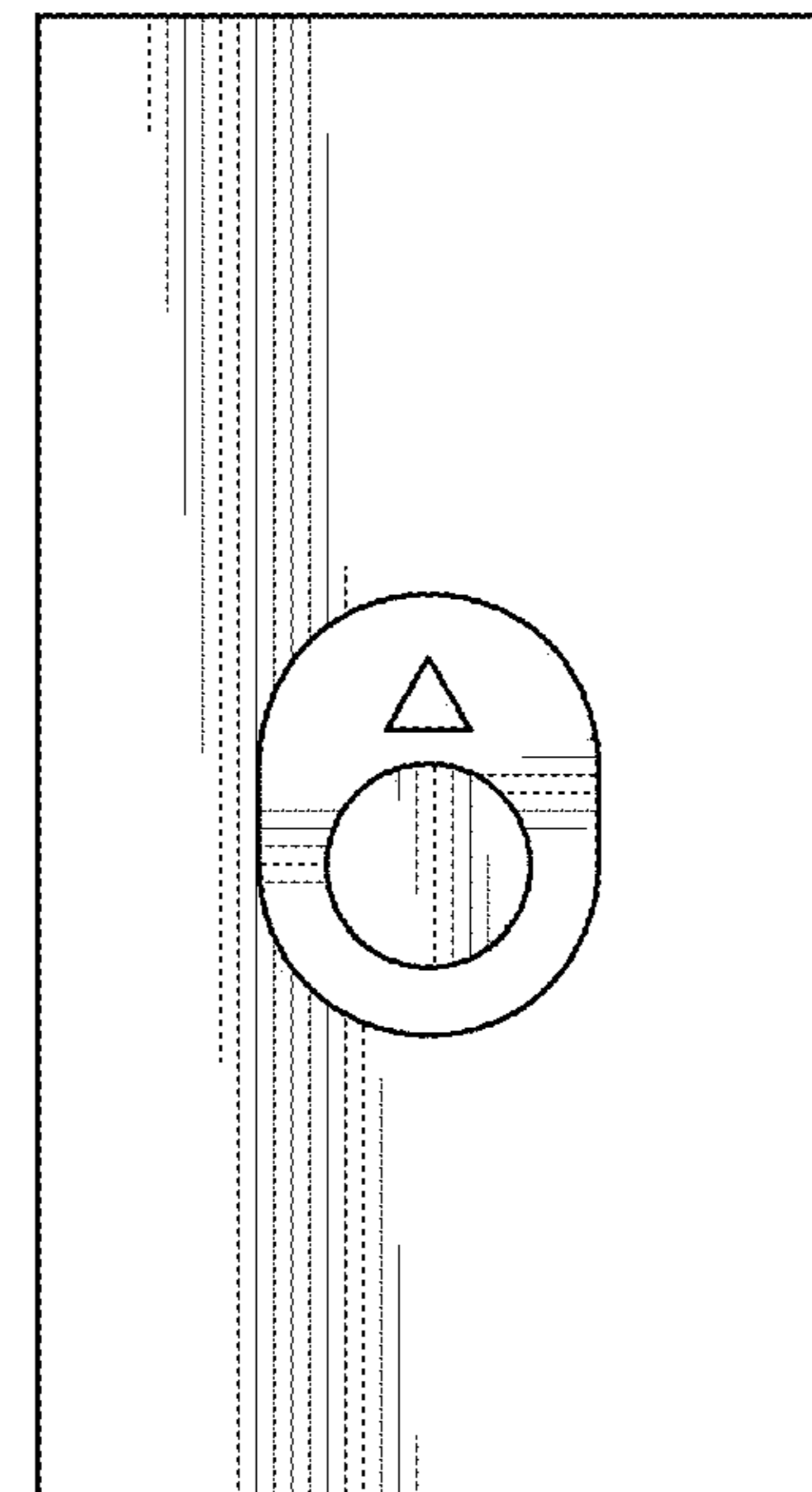


FIG. 22

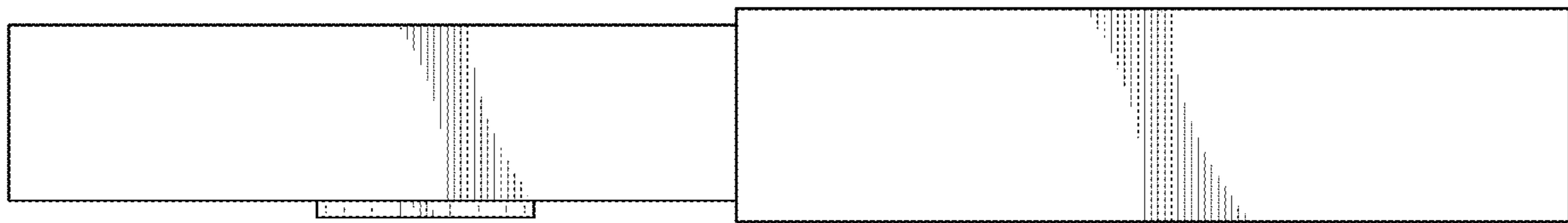


FIG. 23

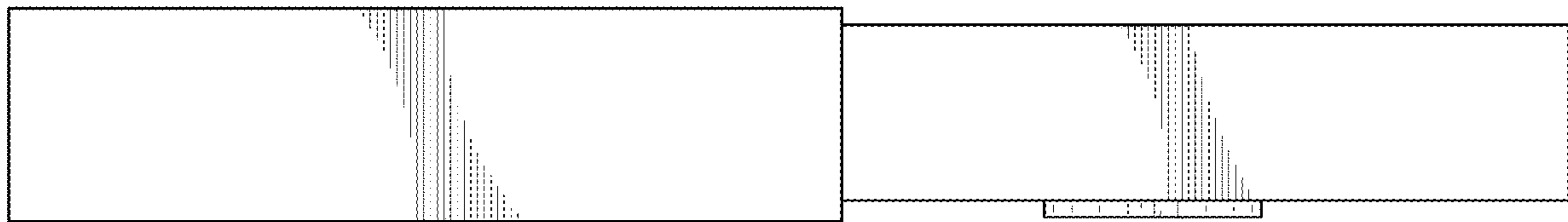


FIG. 24

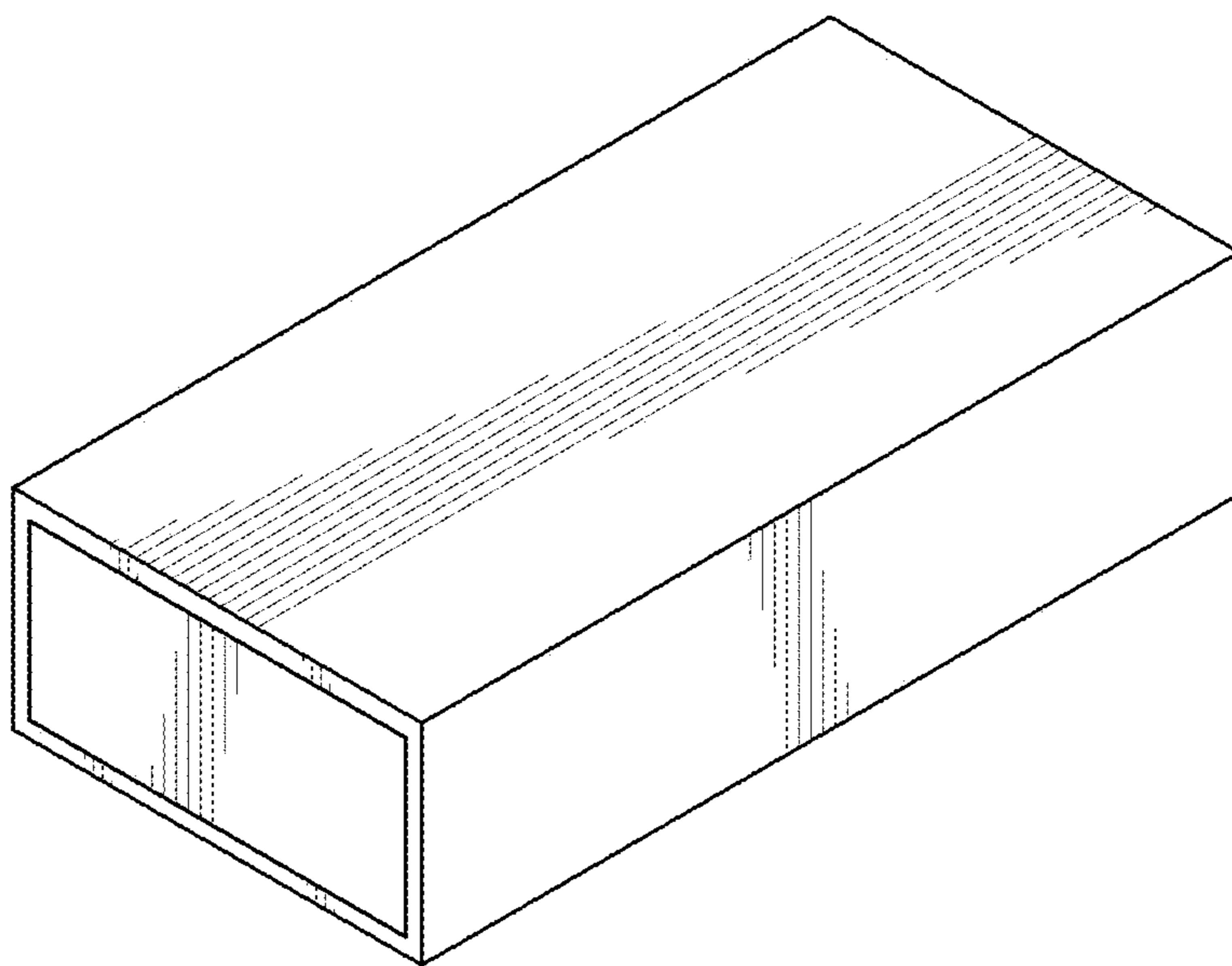


FIG. 25

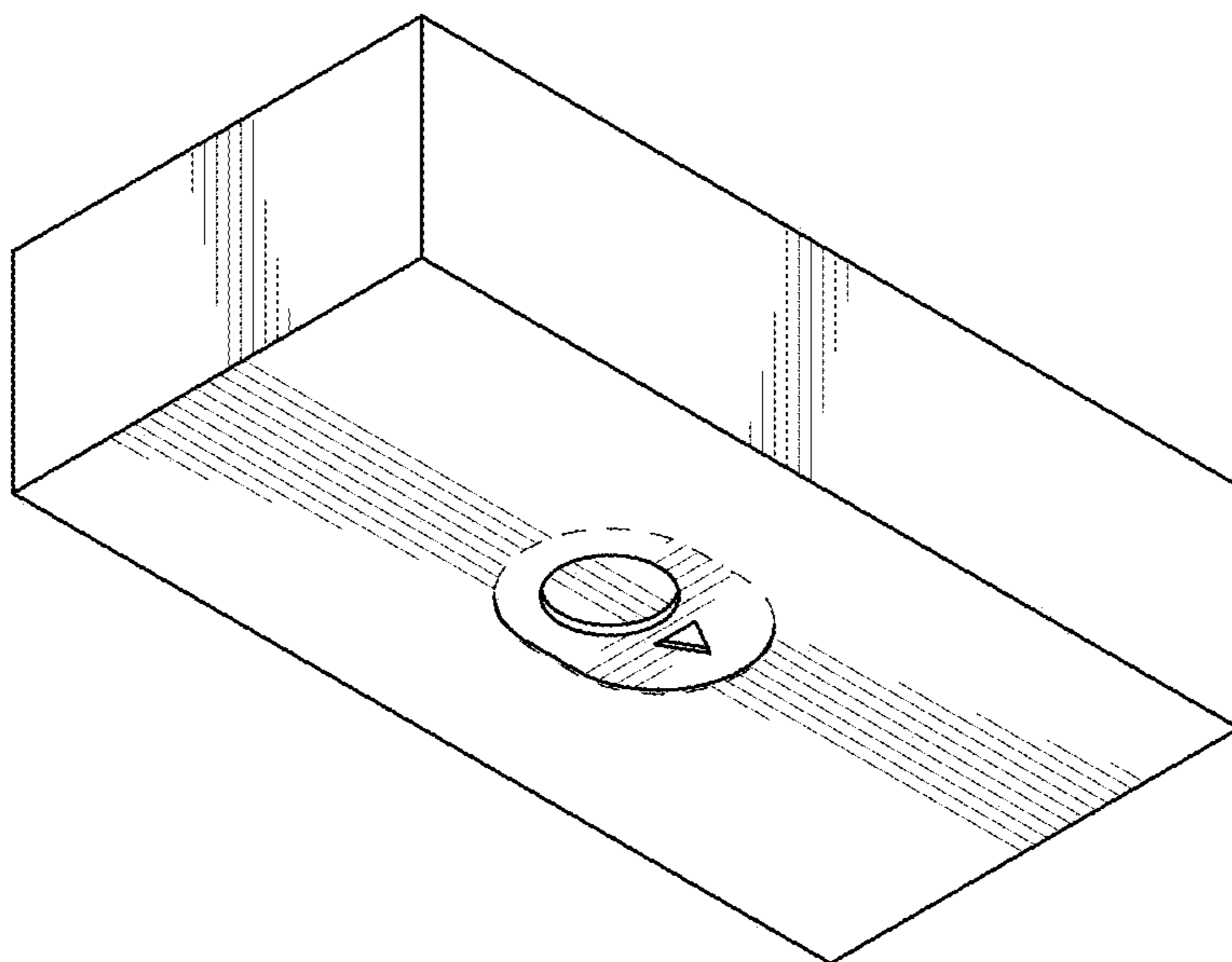


FIG. 26

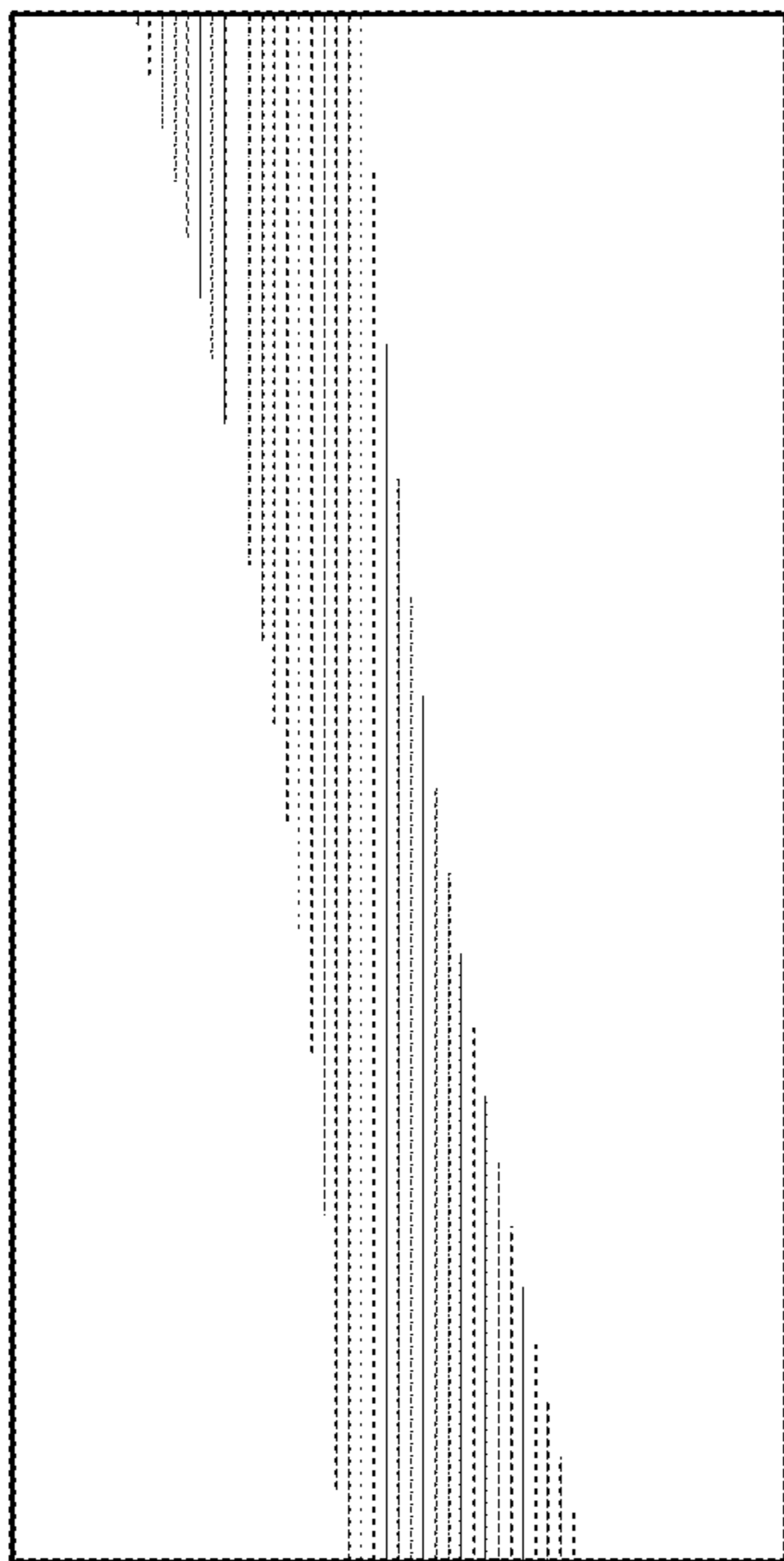


FIG. 27

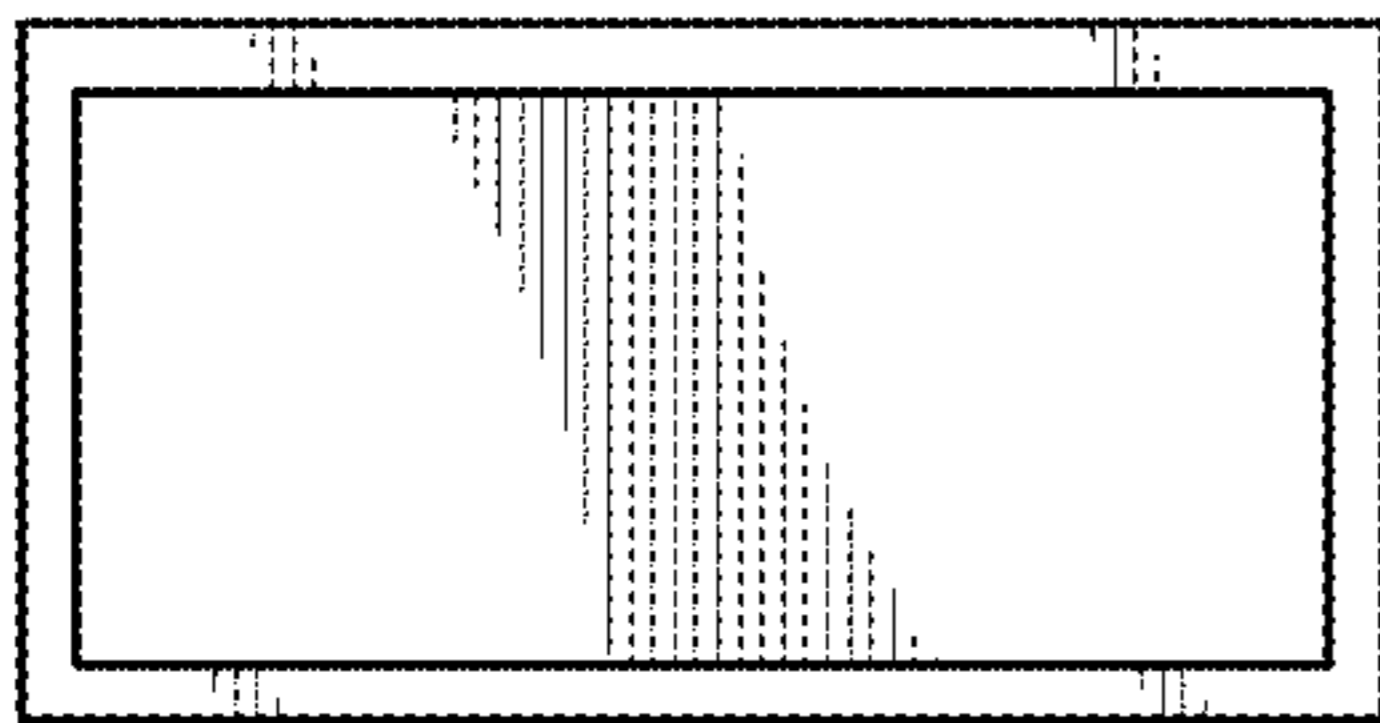


FIG. 28

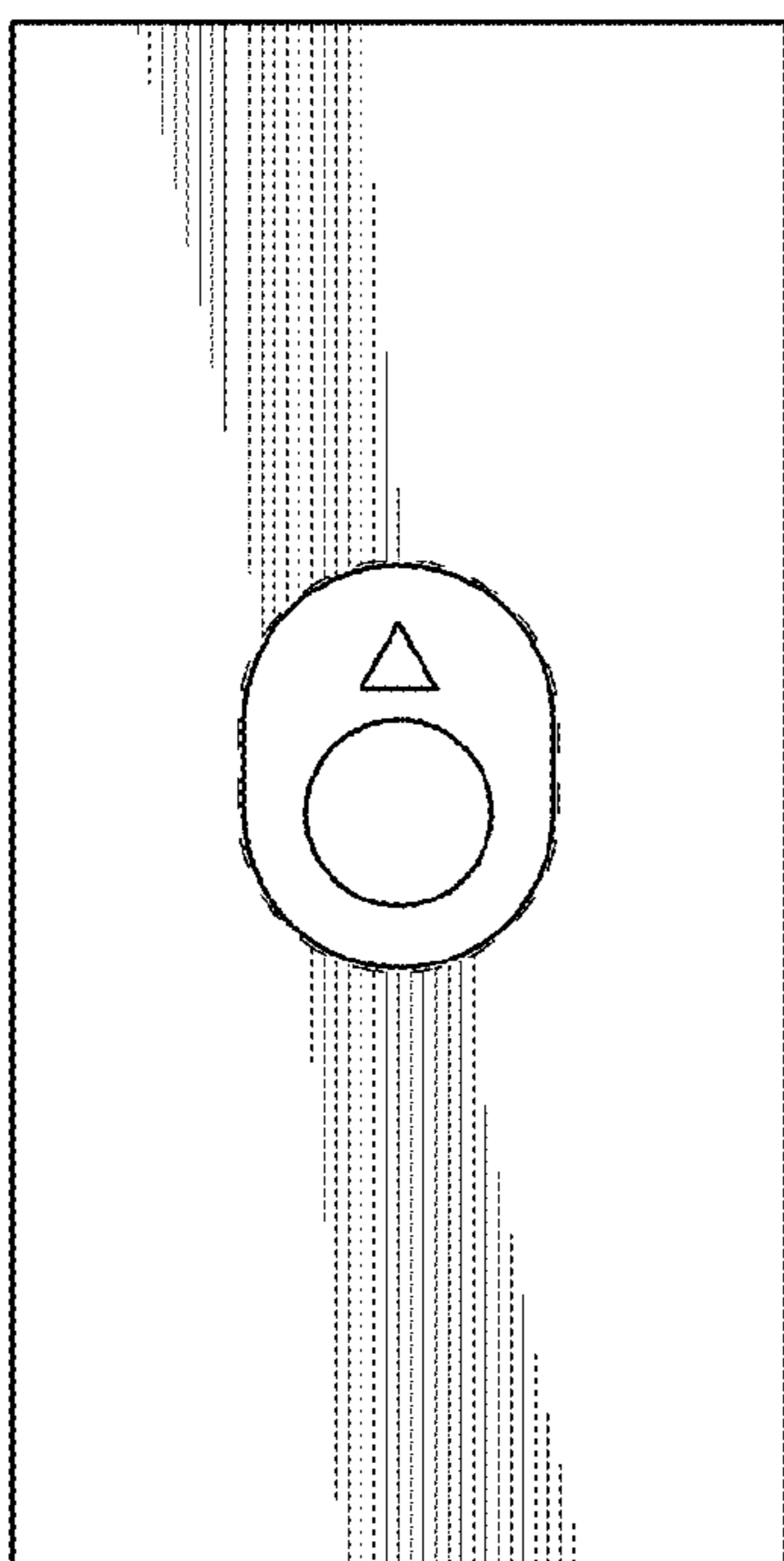


FIG. 29

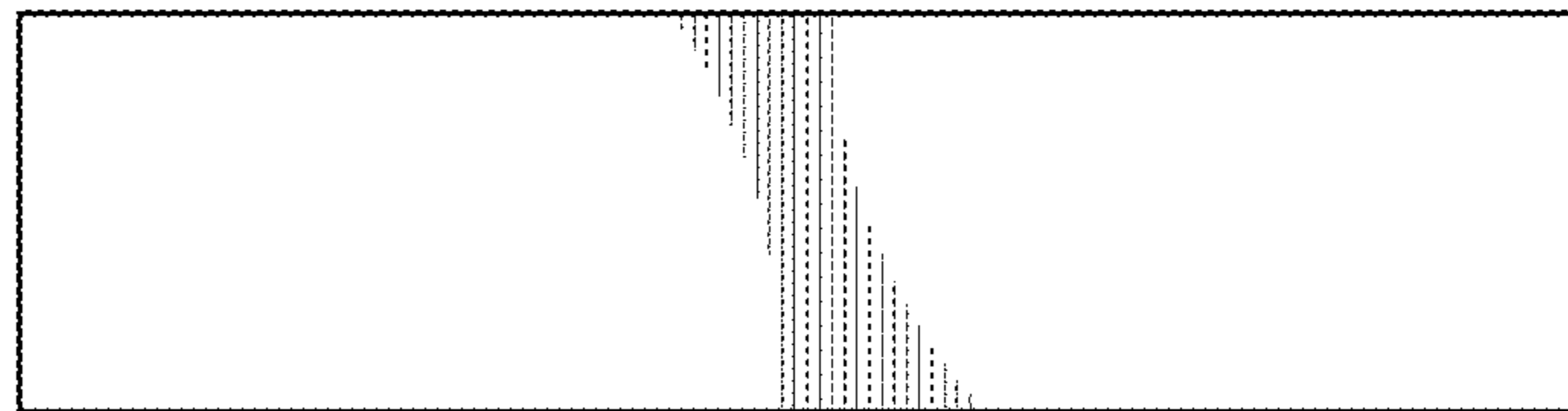


FIG. 30

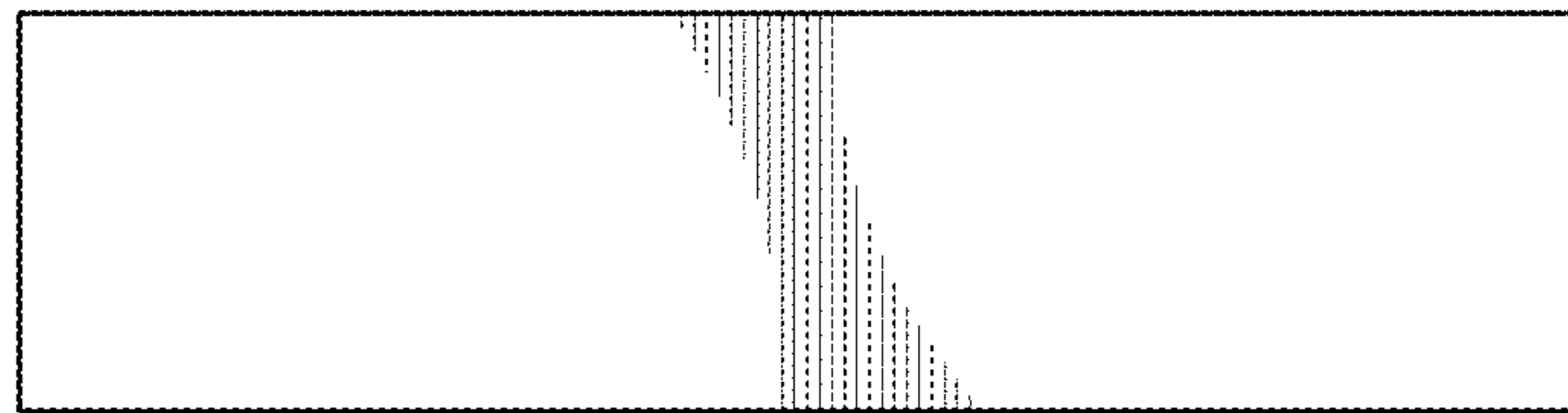


FIG. 31

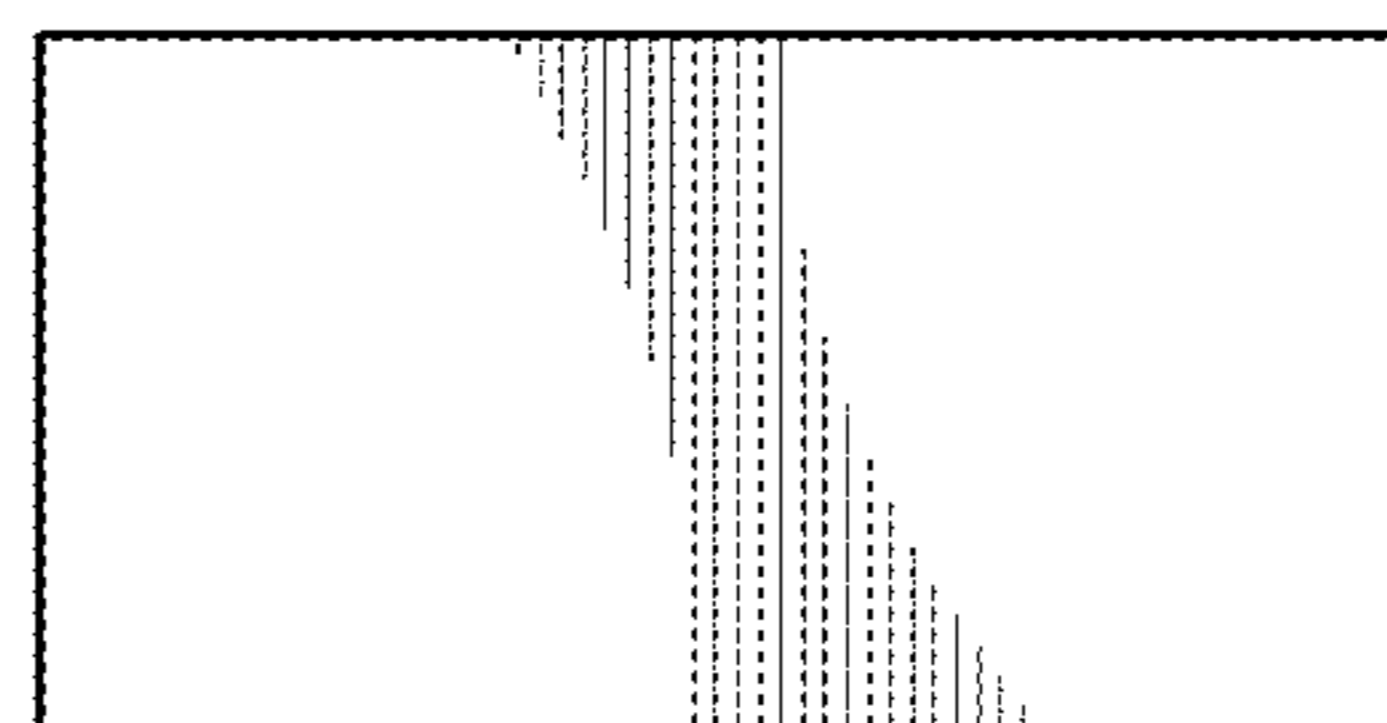


FIG. 32

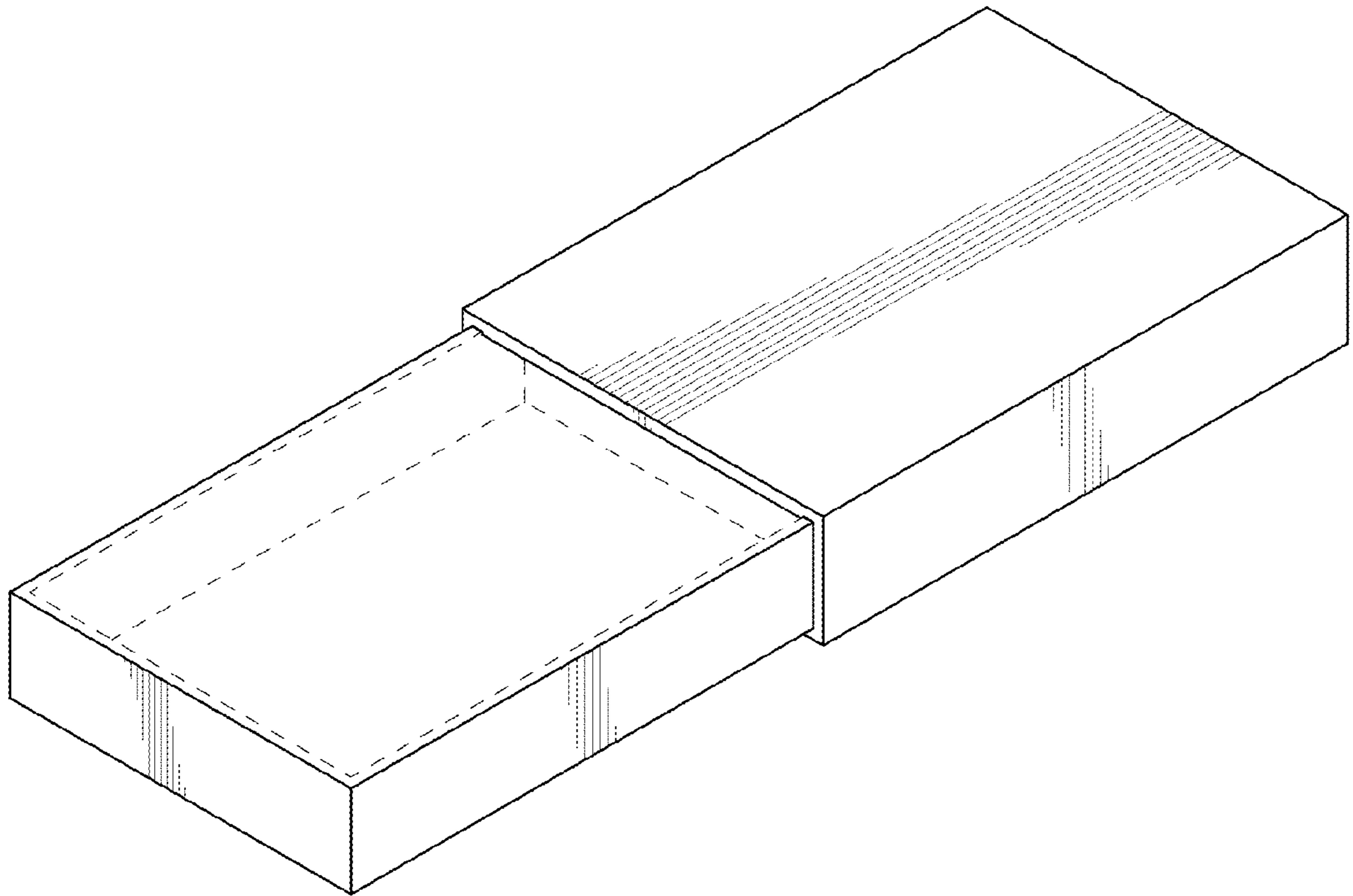


FIG. 33

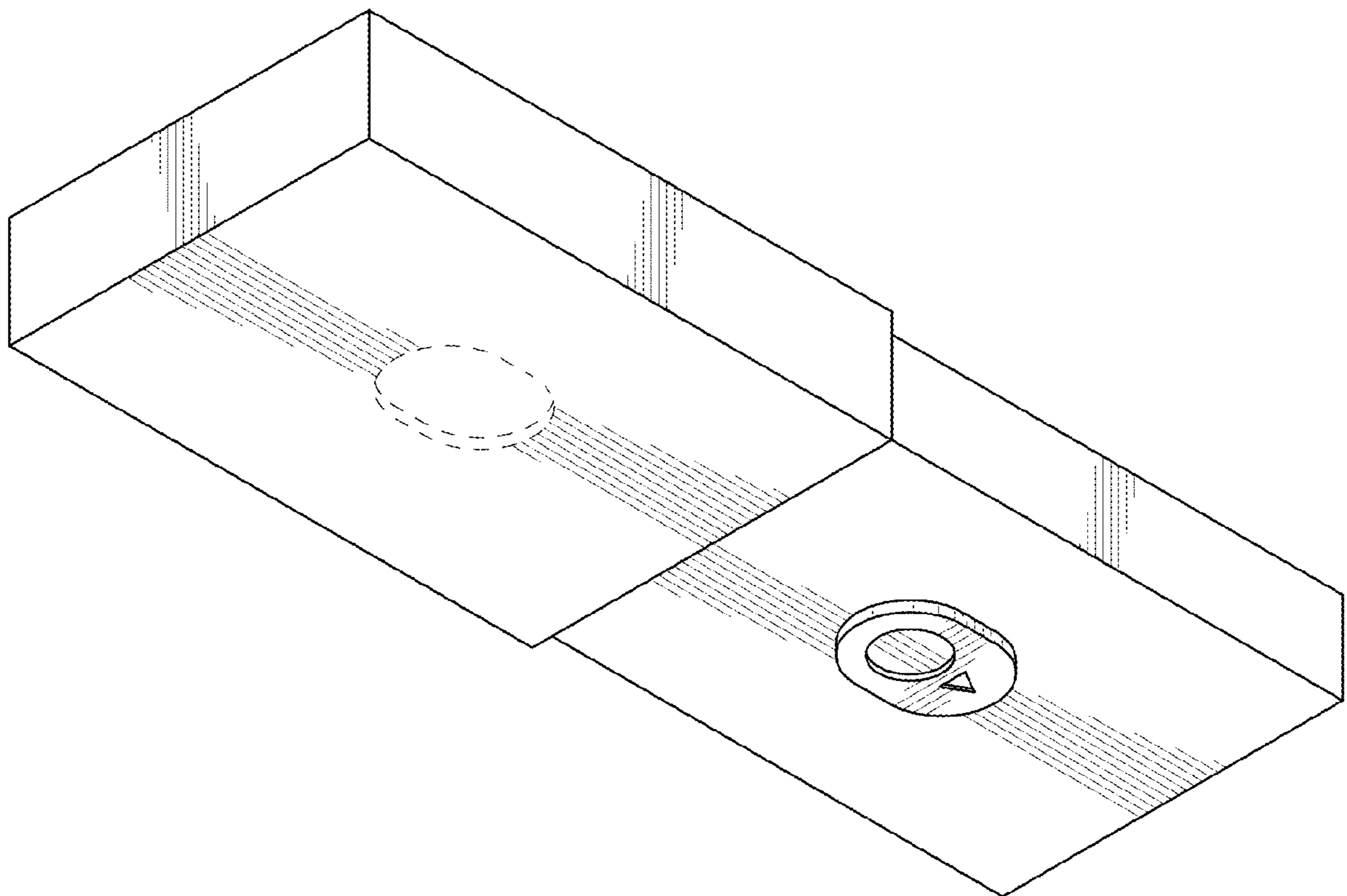


FIG. 34

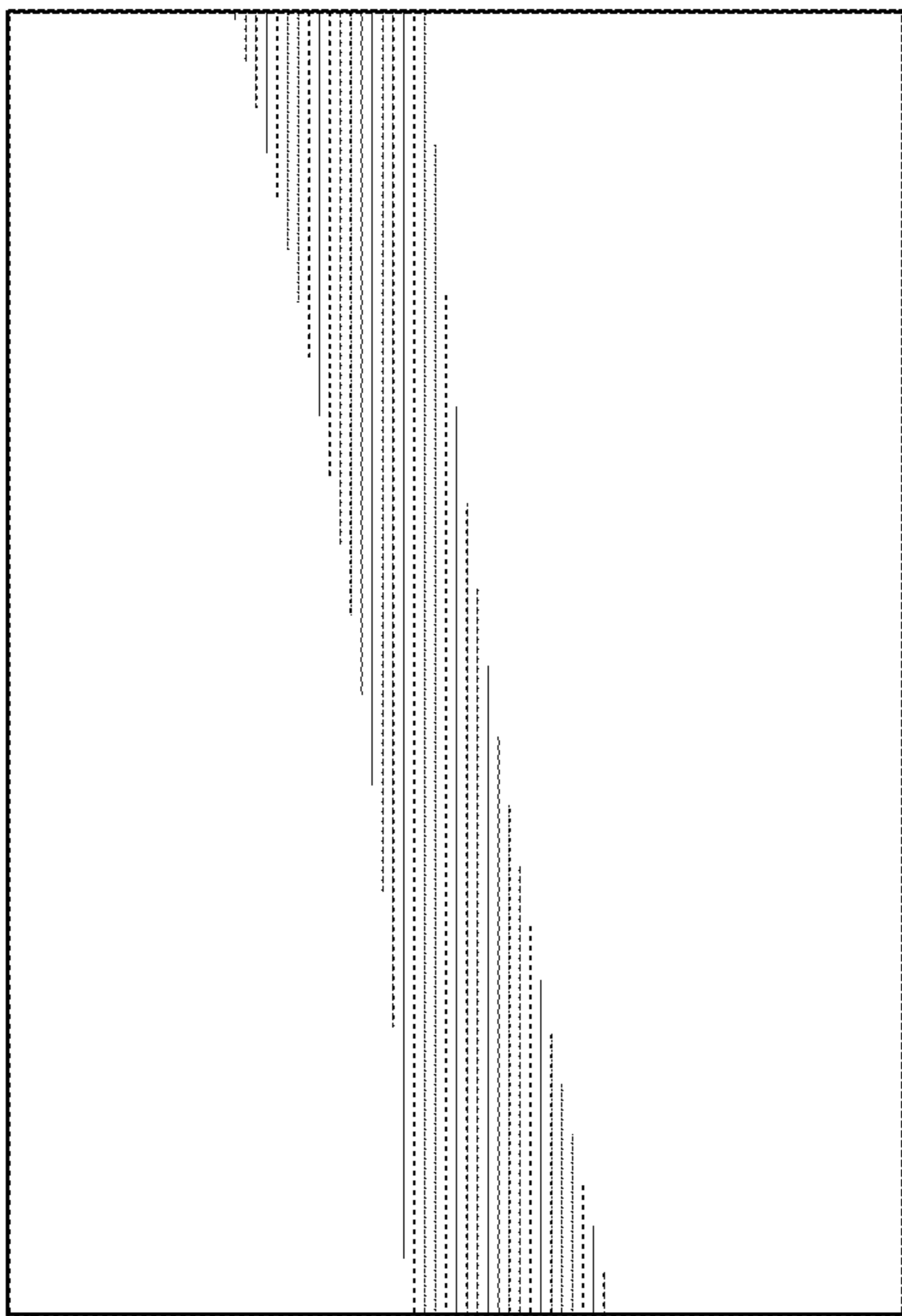


FIG. 35

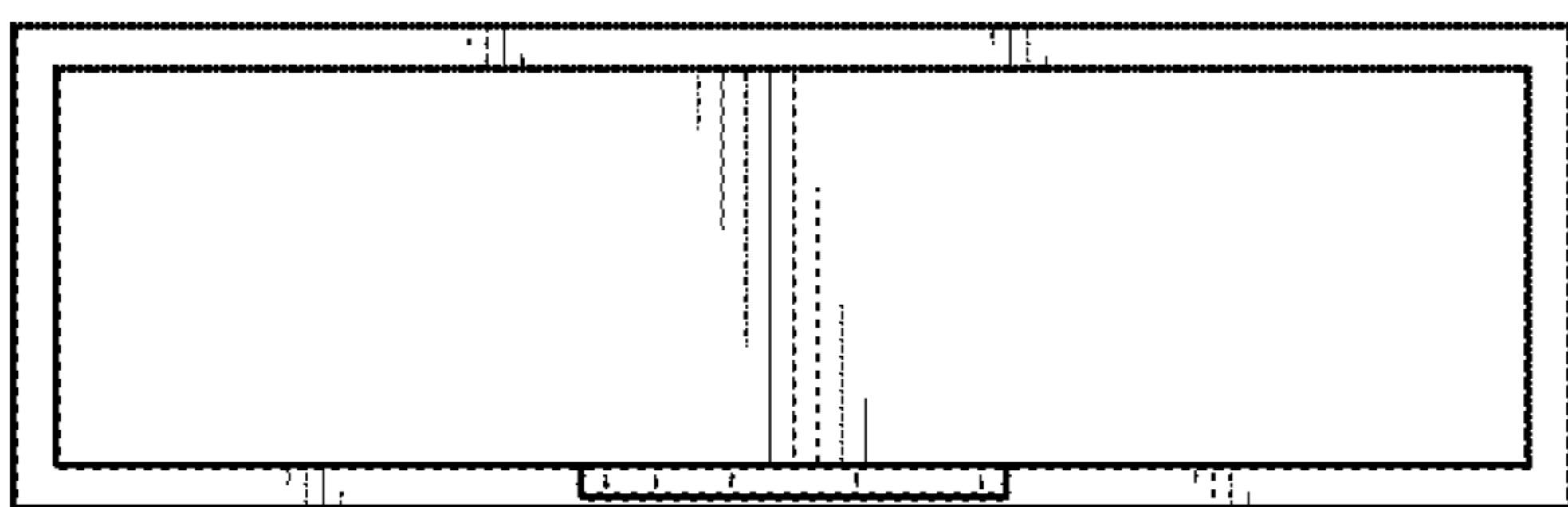


FIG. 36

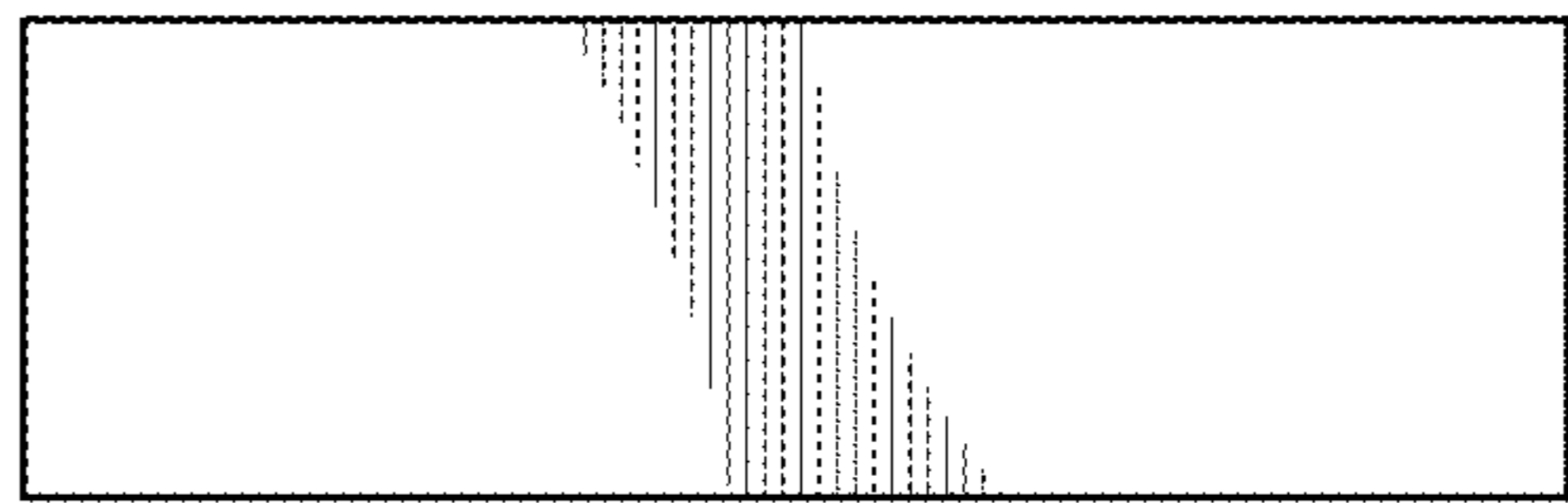


FIG. 37

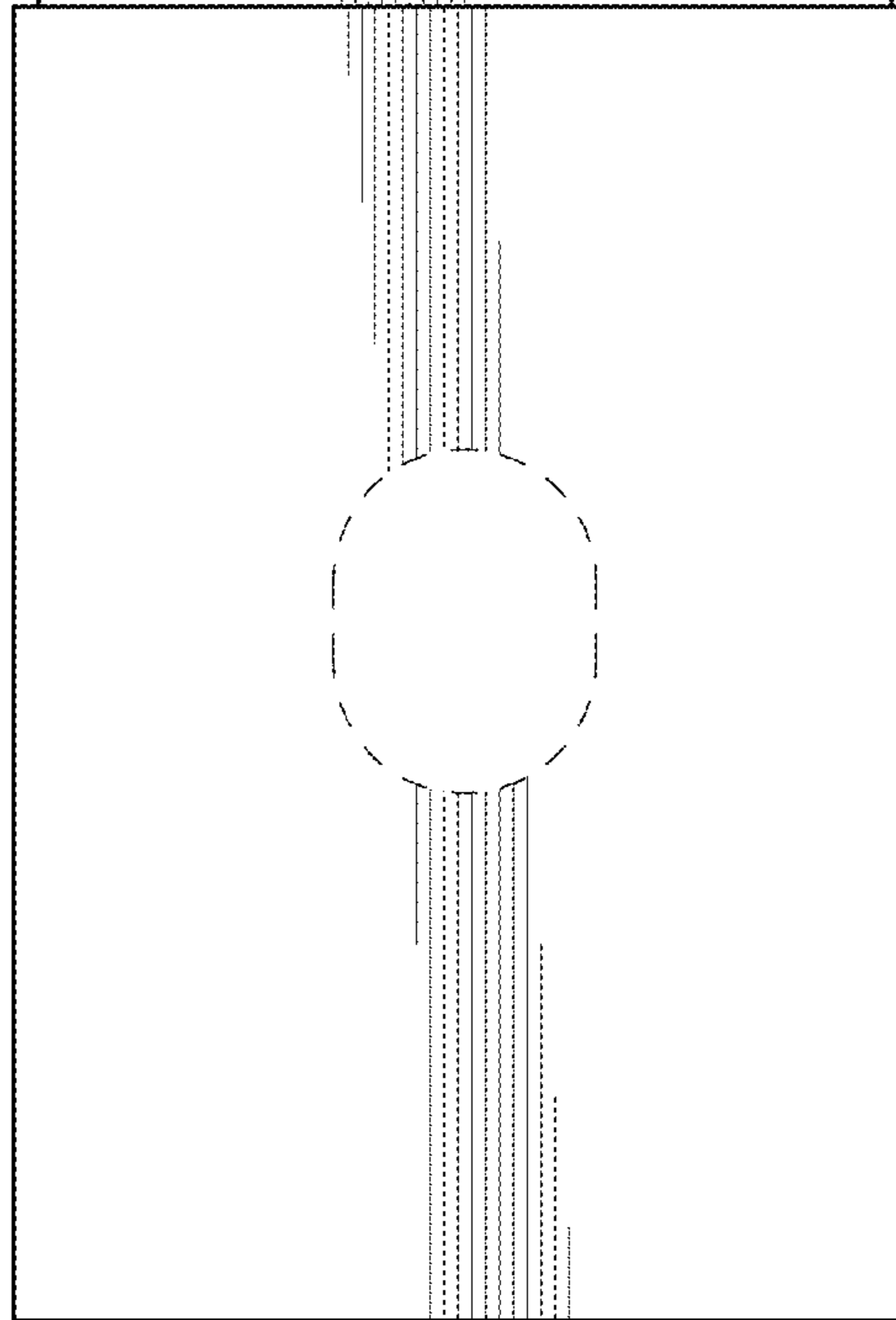
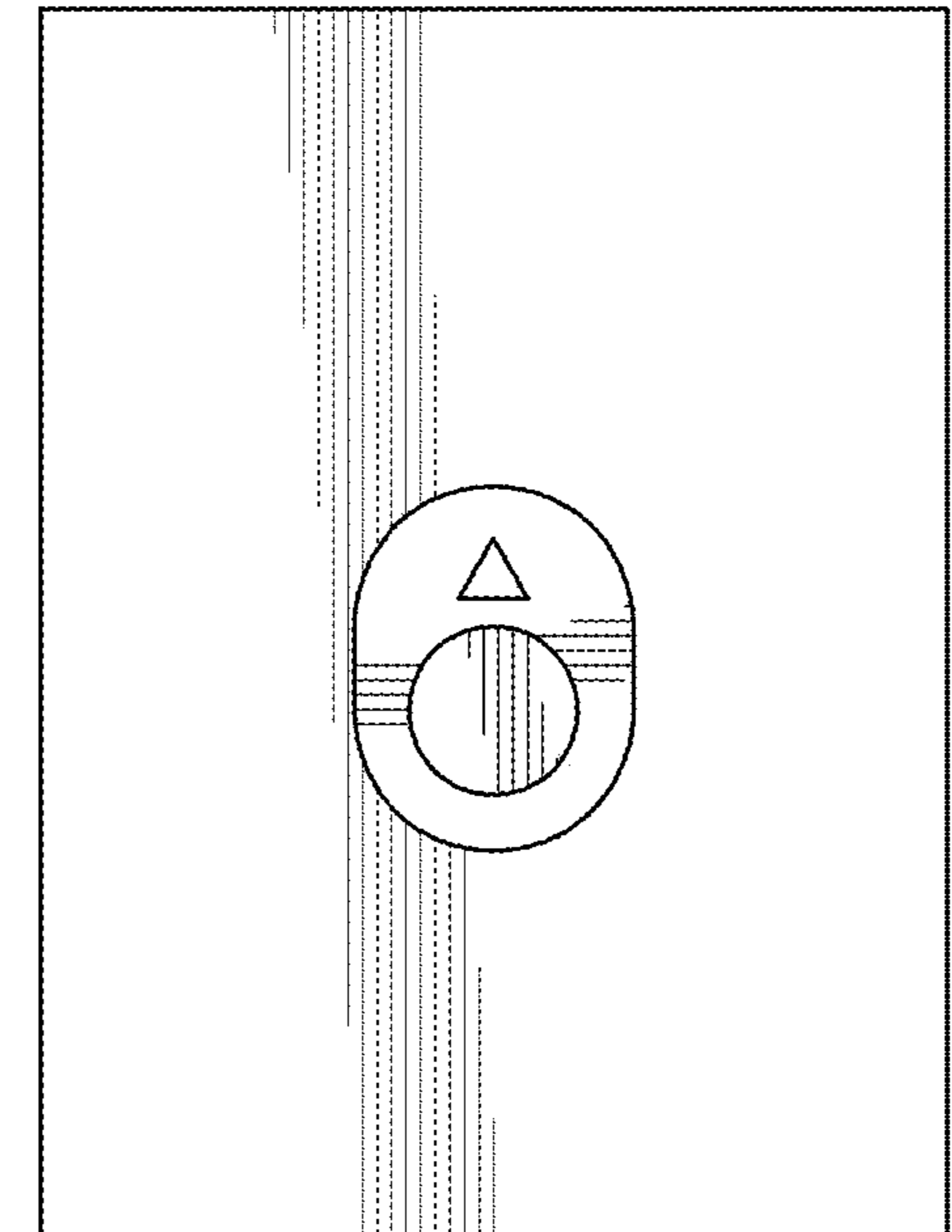


FIG. 38

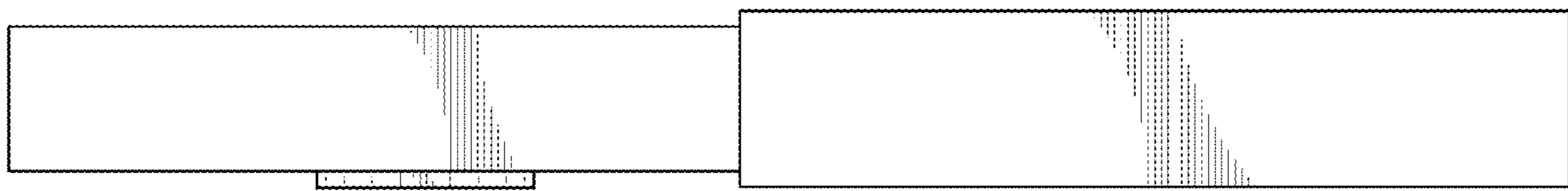


FIG. 39

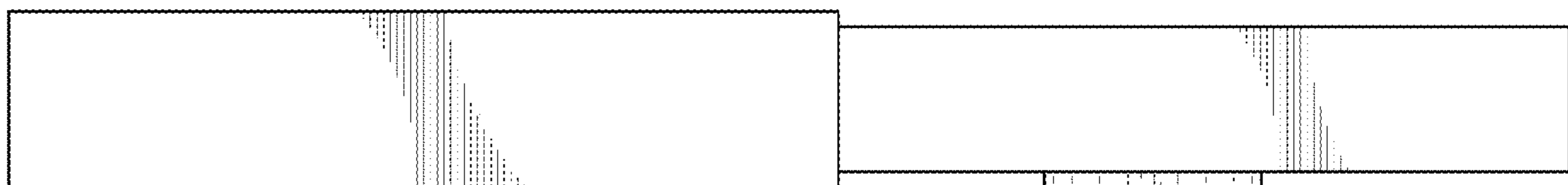


FIG. 40

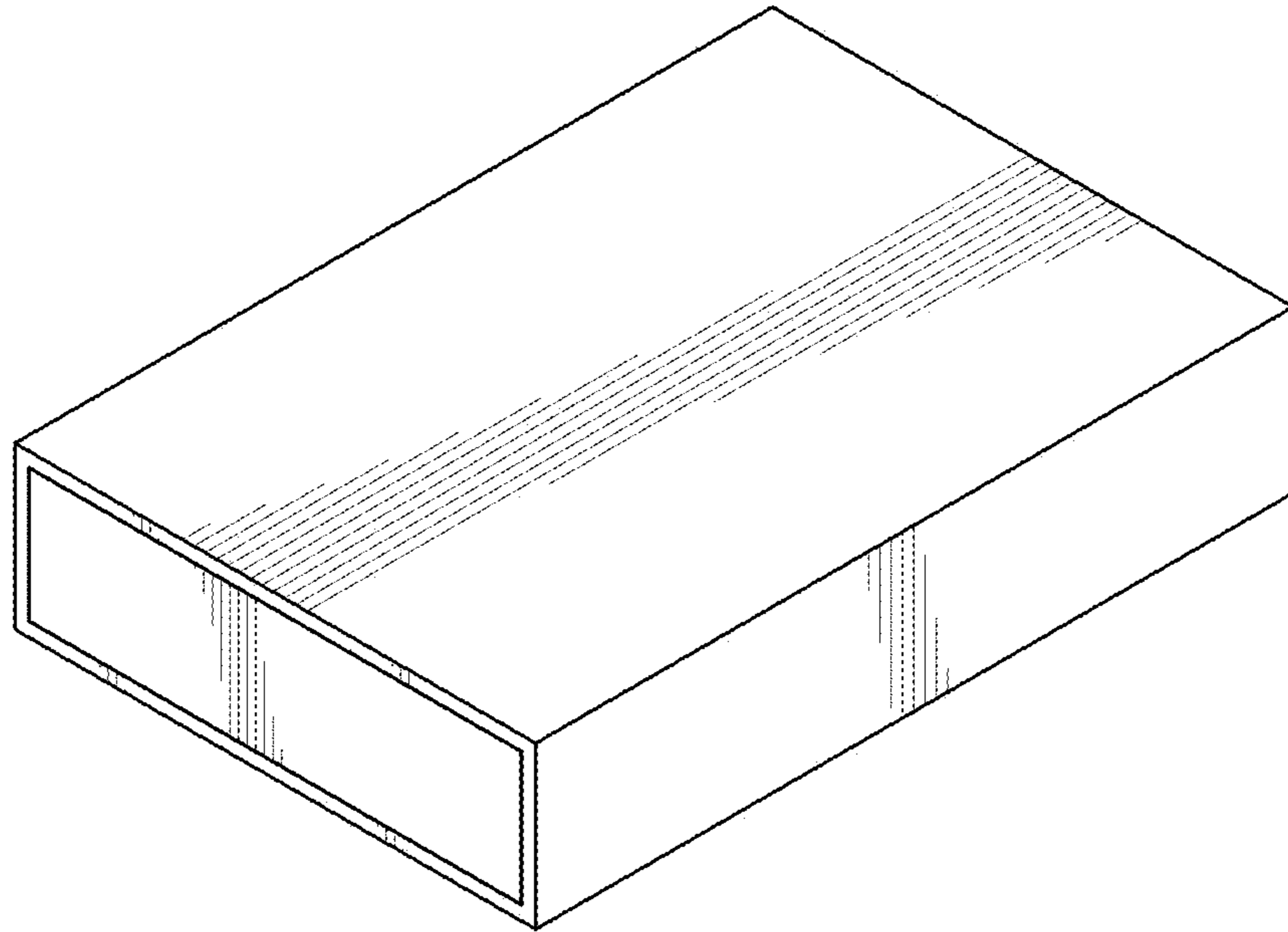


FIG. 41

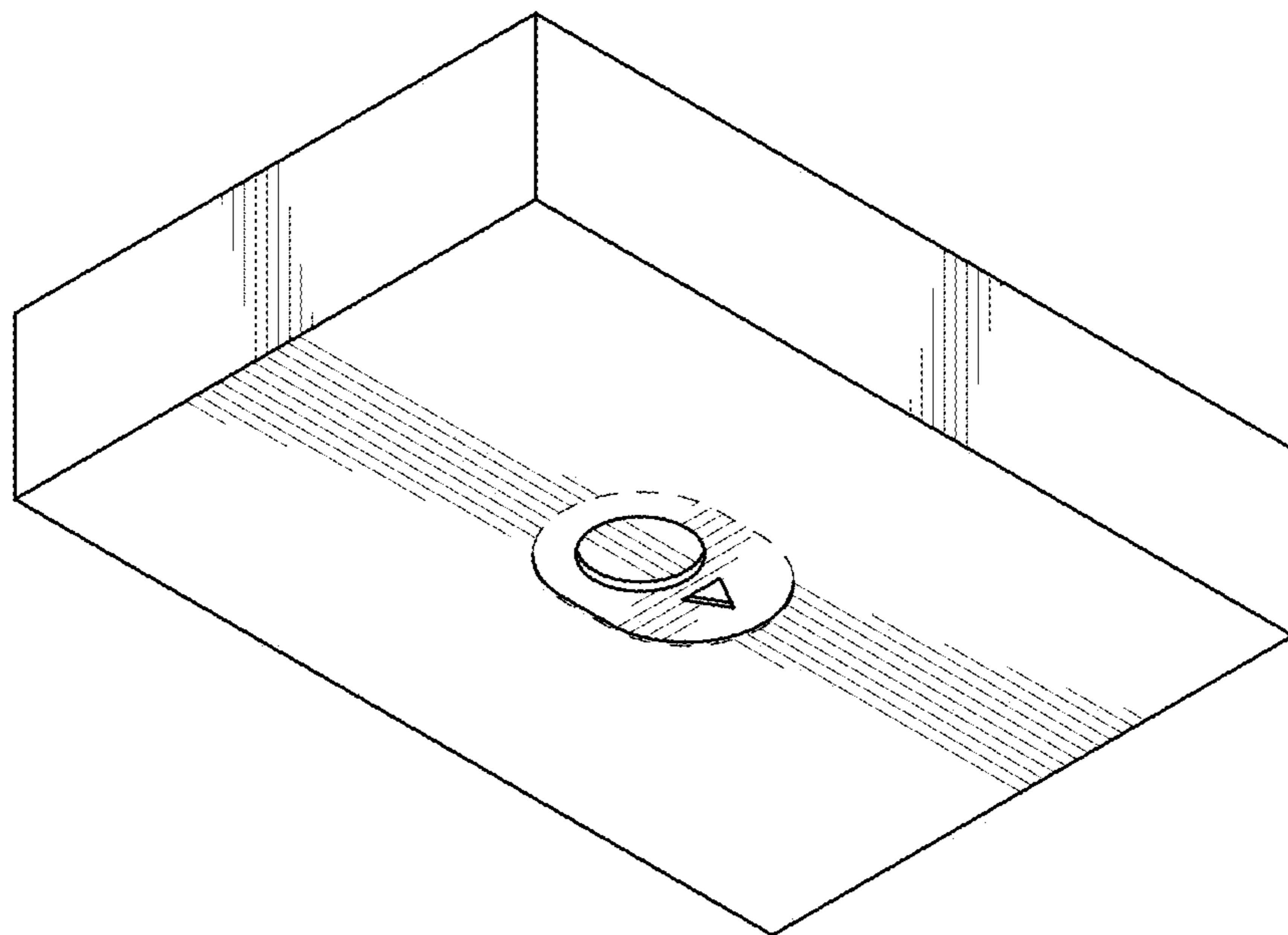


FIG. 42

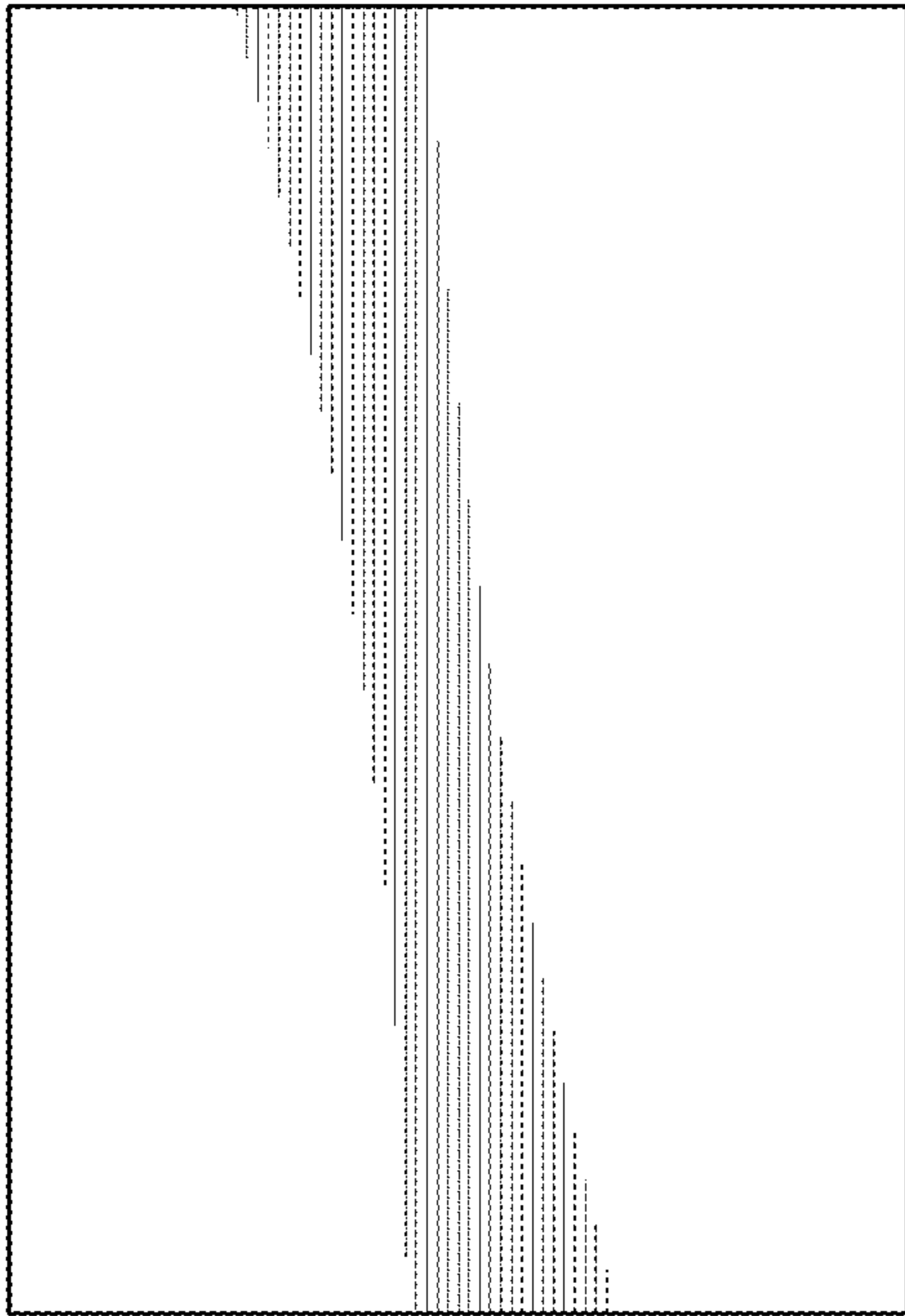


FIG. 43

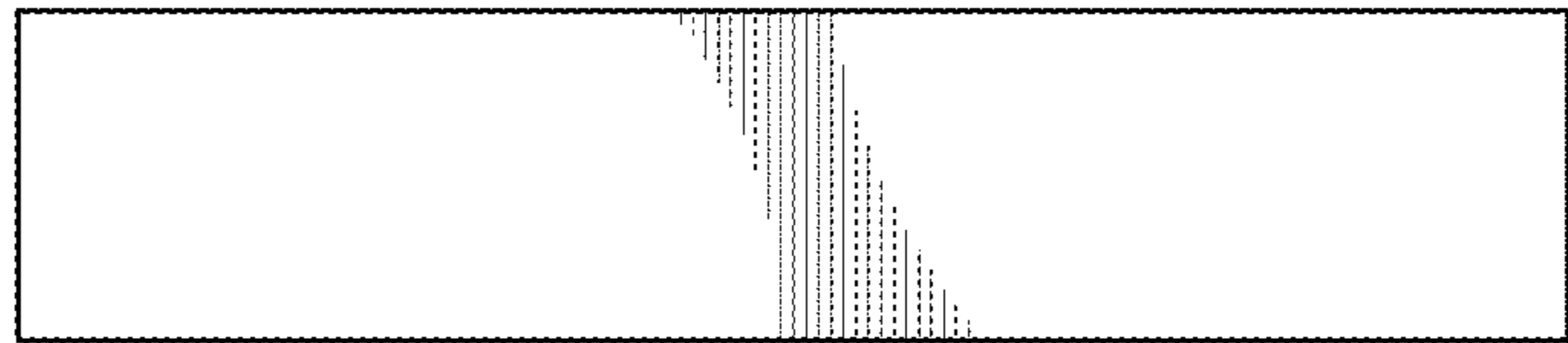


FIG. 46

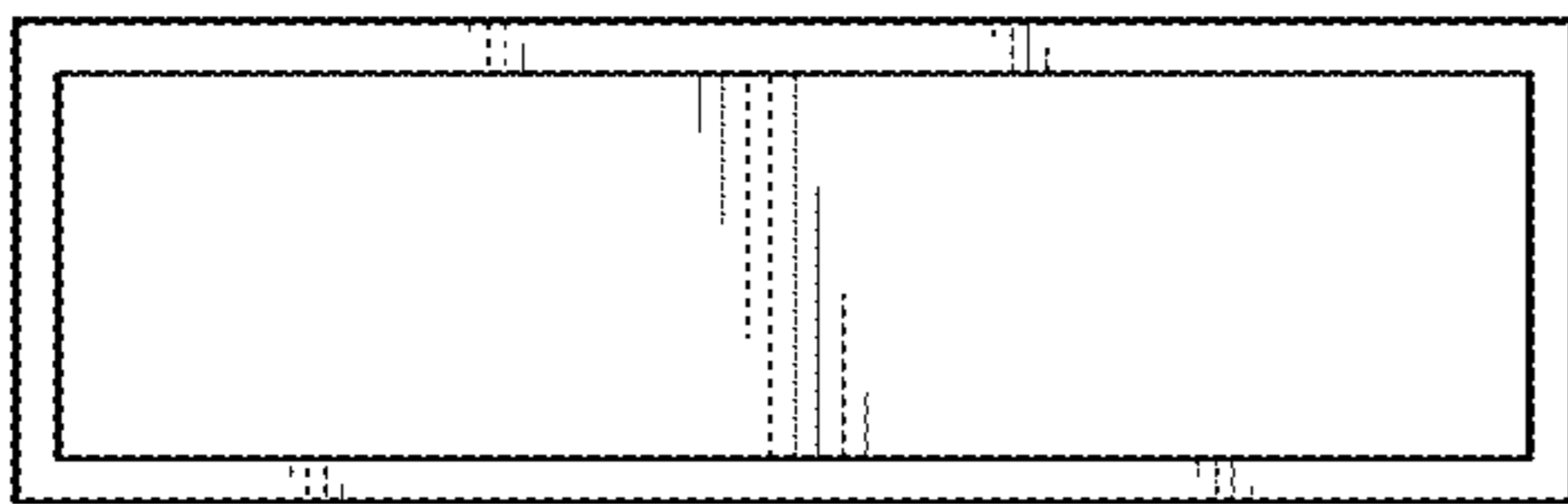


FIG. 44

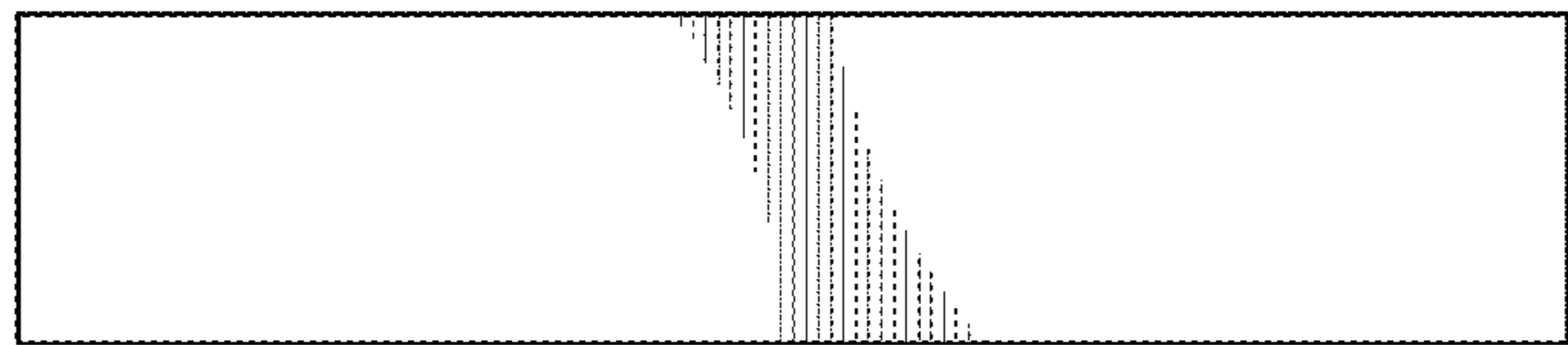


FIG. 47

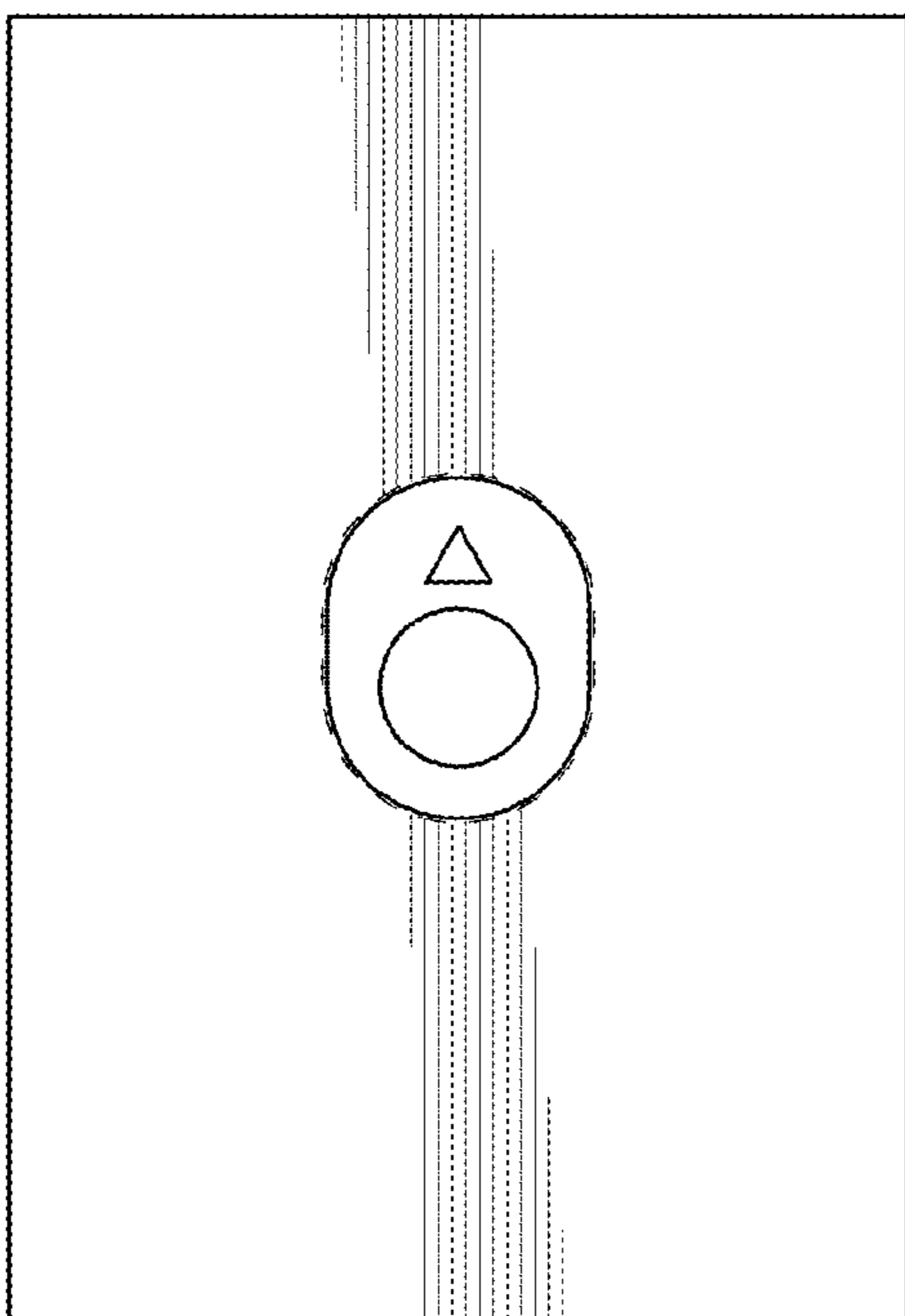


FIG. 45

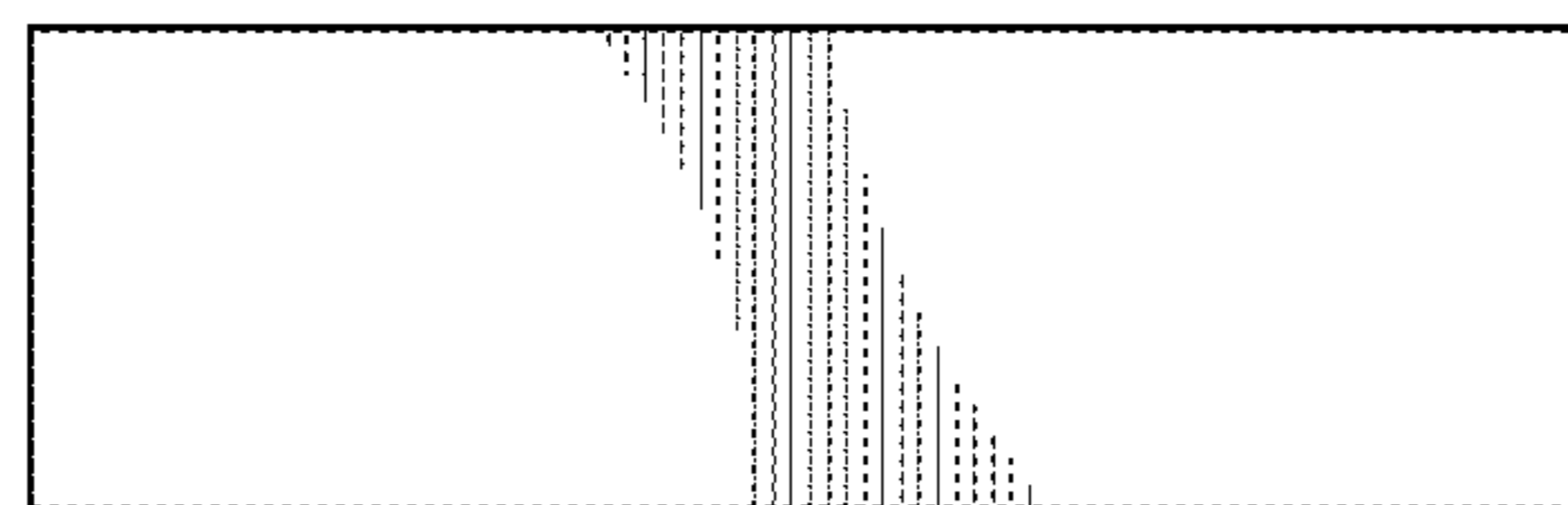


FIG. 48

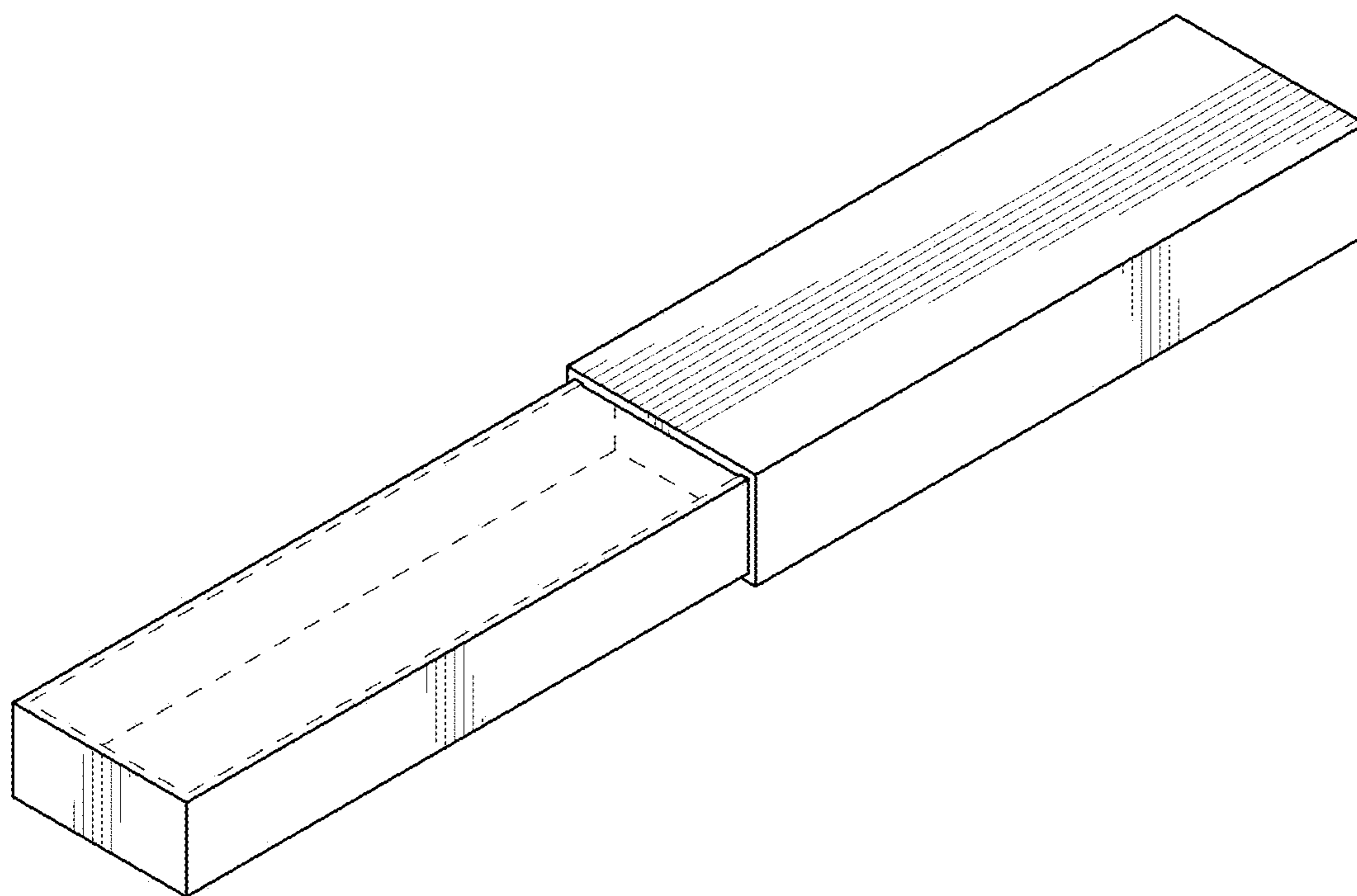


FIG. 49

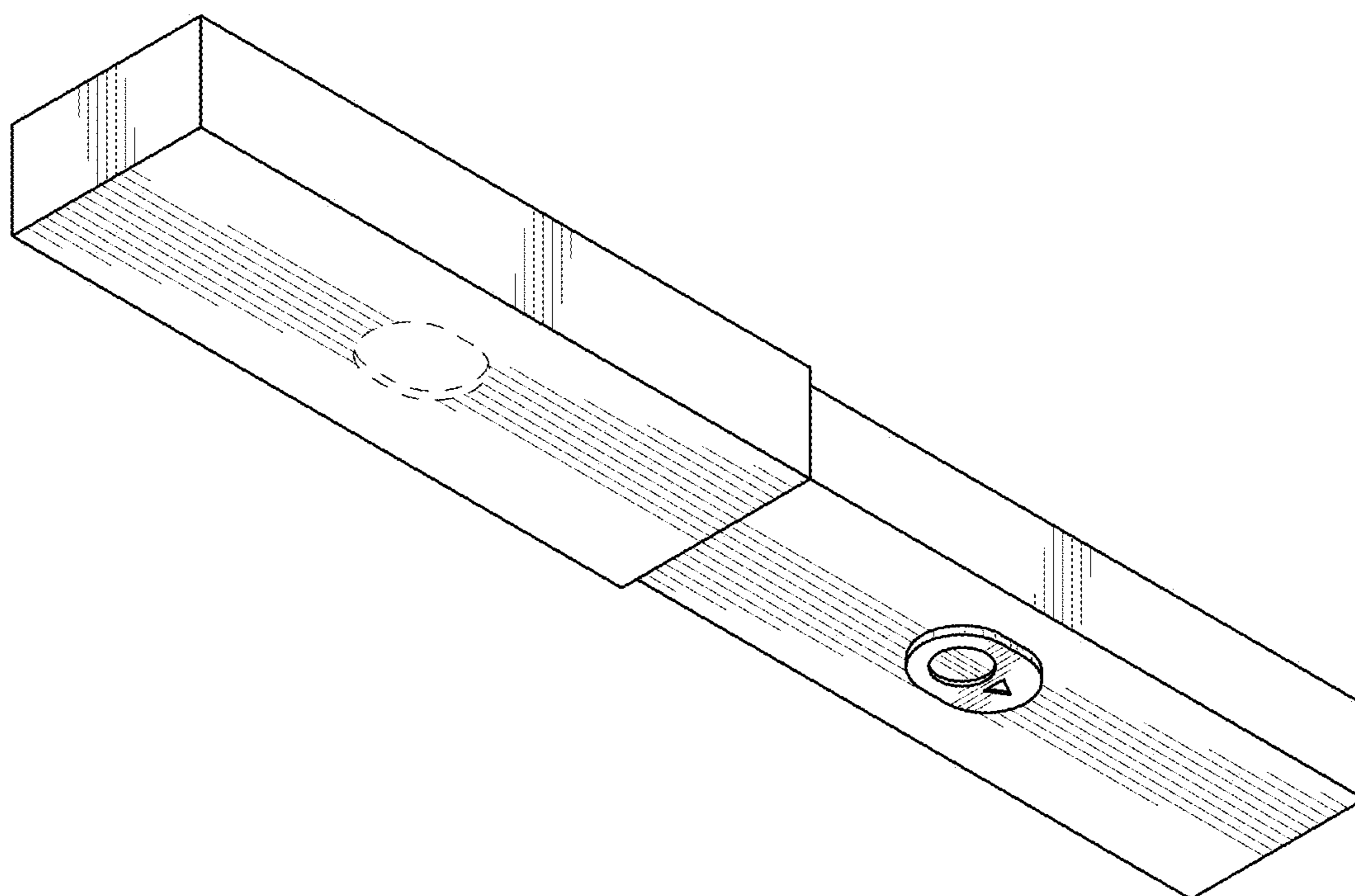


FIG. 50

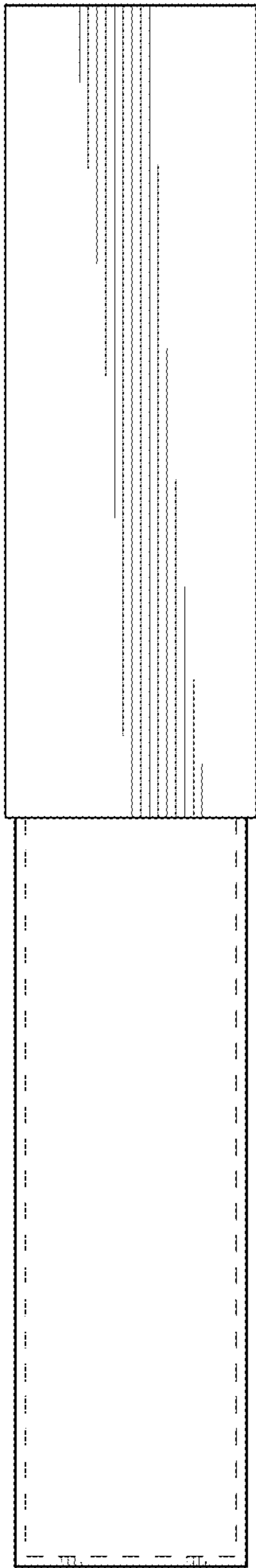


FIG. 51

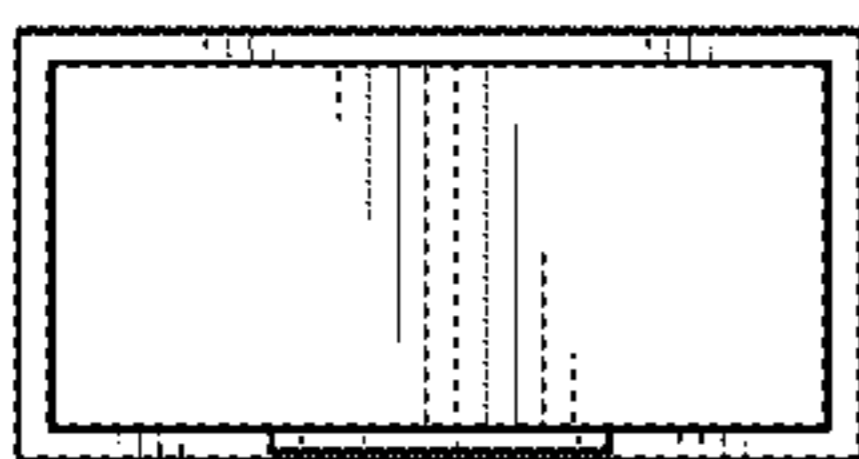


FIG. 52

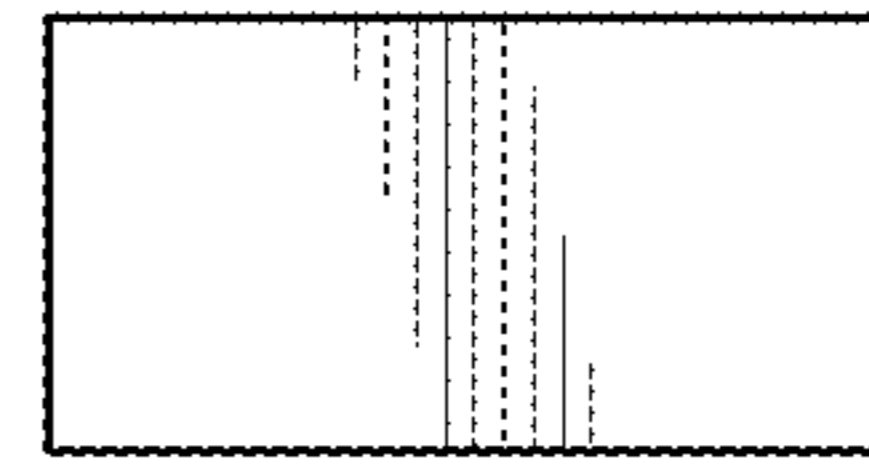


FIG. 53

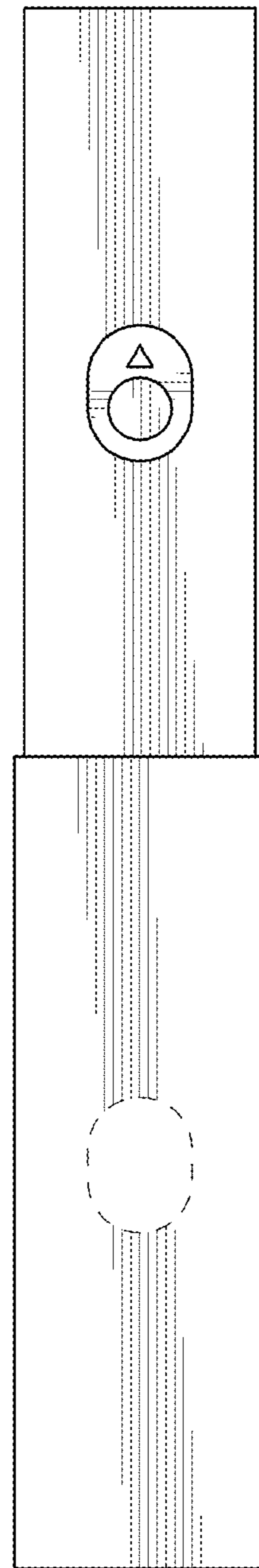


FIG. 54

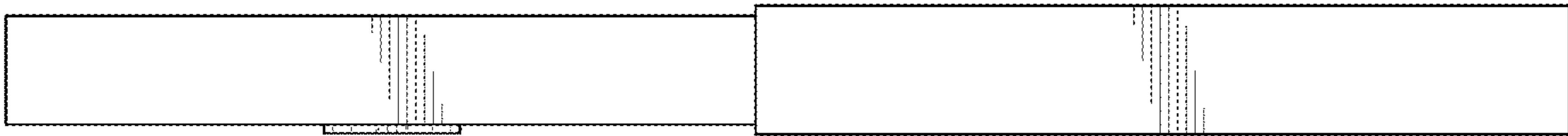


FIG. 55

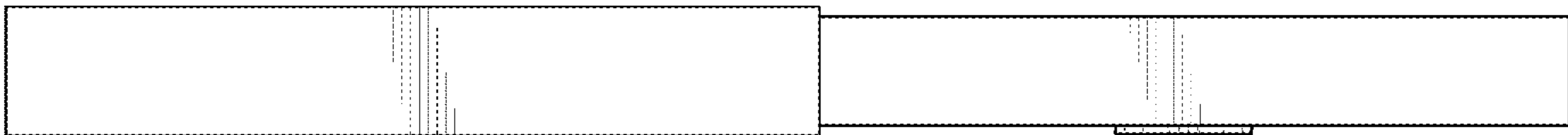


FIG. 56

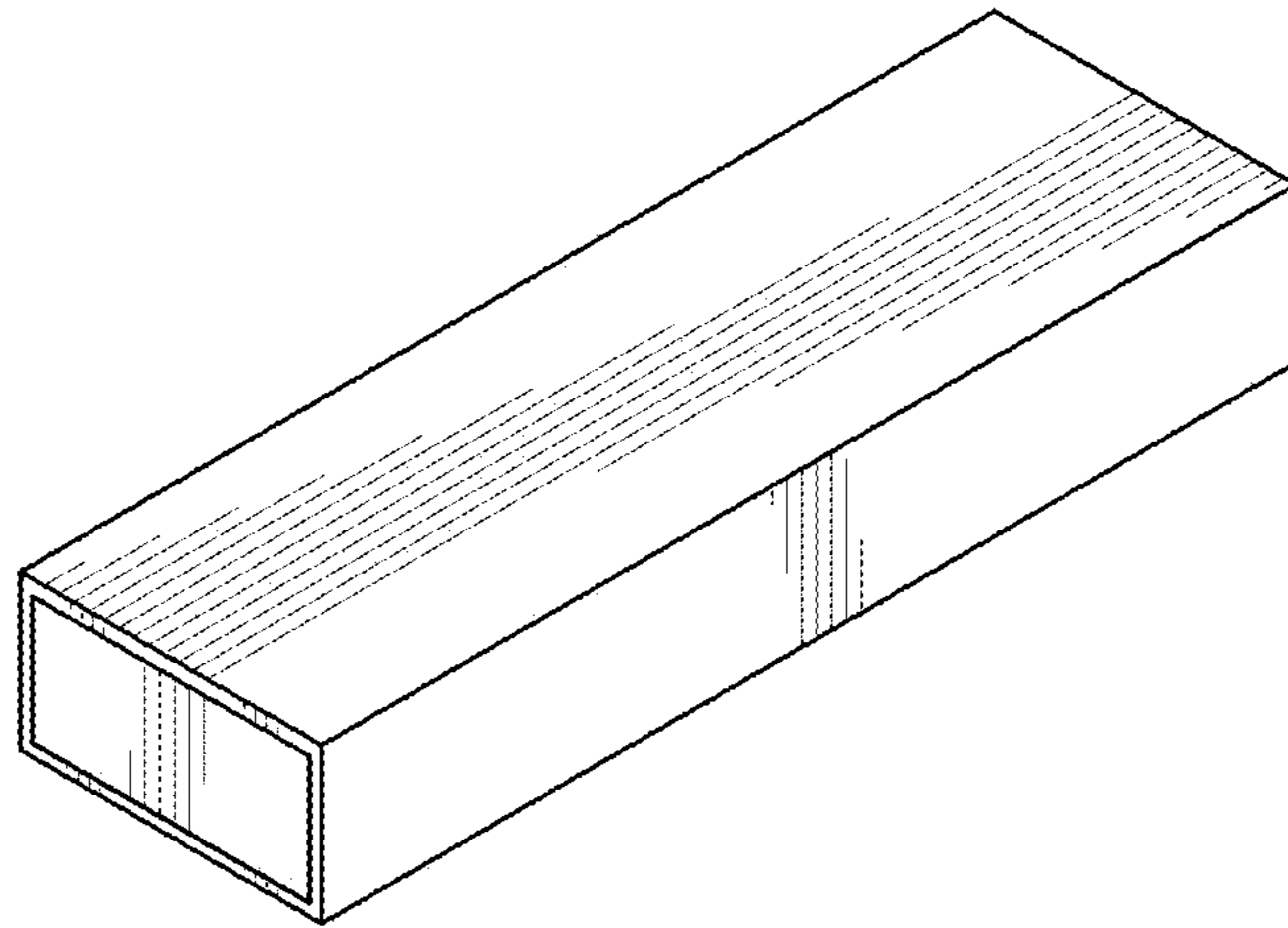


FIG. 57

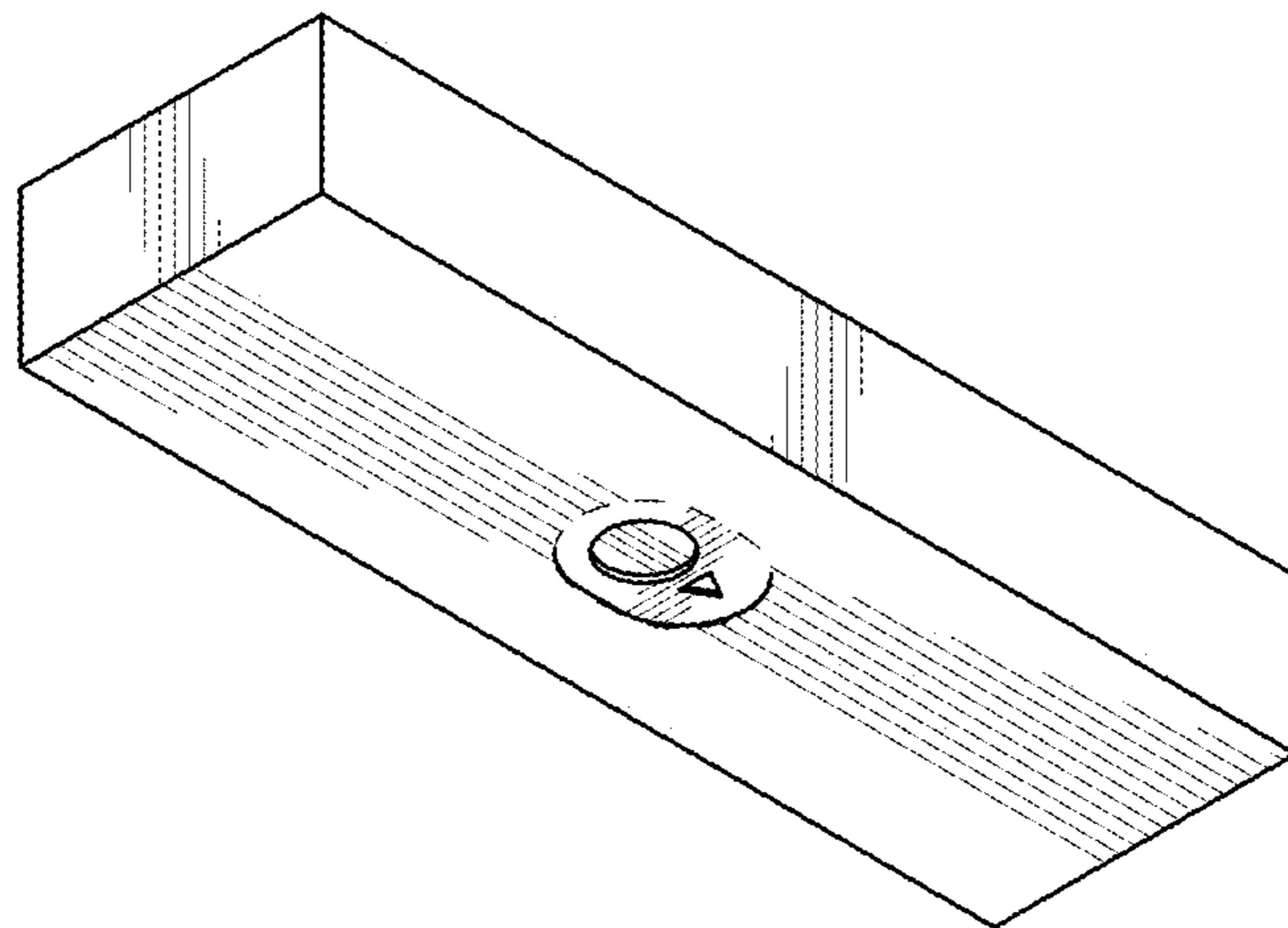


FIG. 58

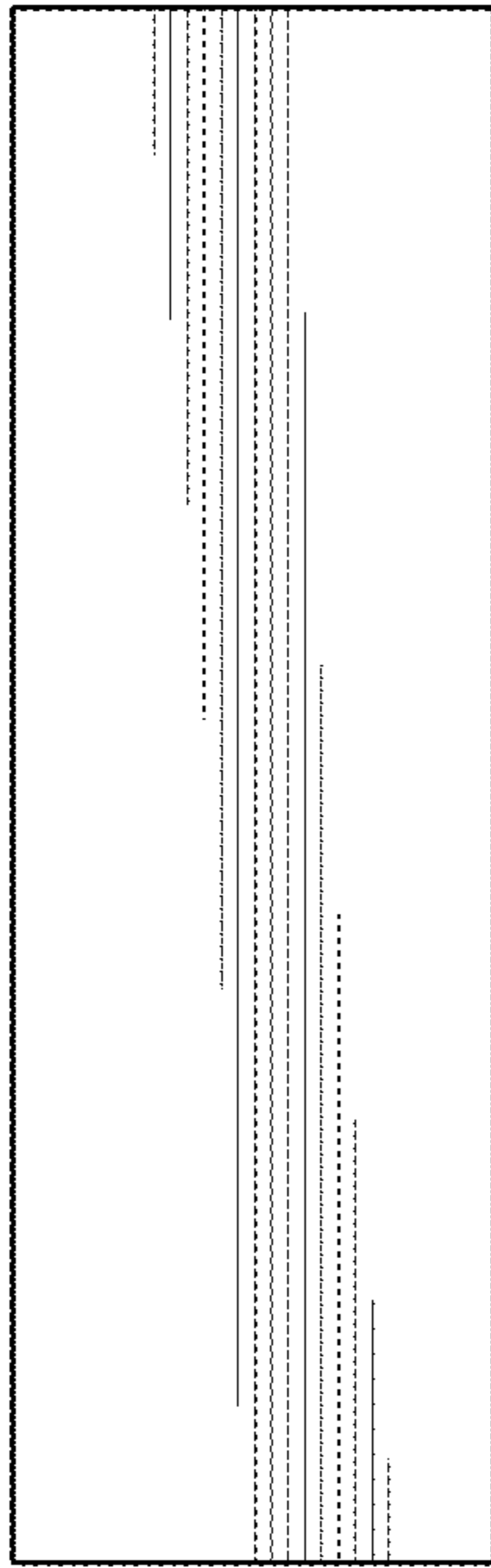


FIG. 59

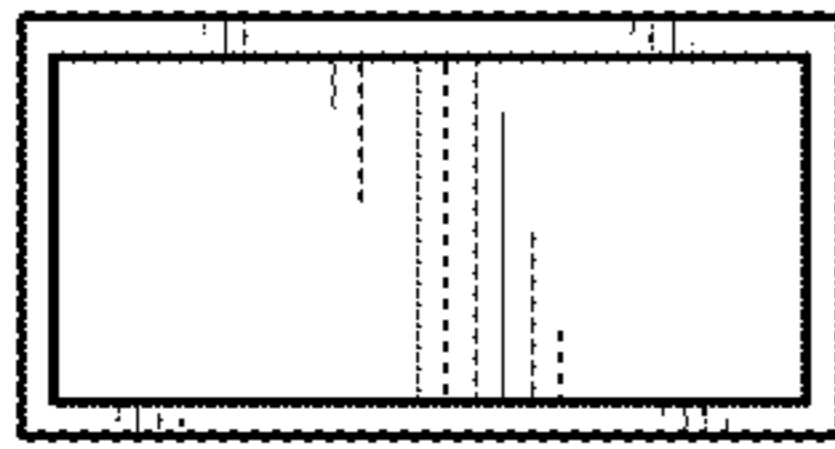


FIG. 60

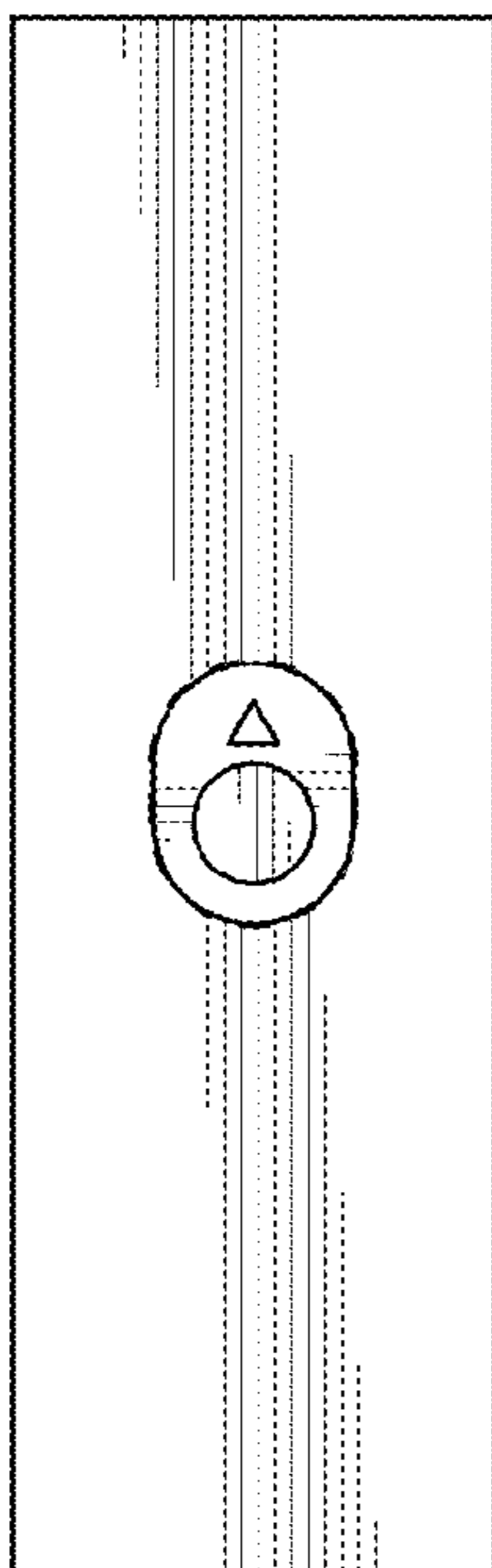


FIG. 61

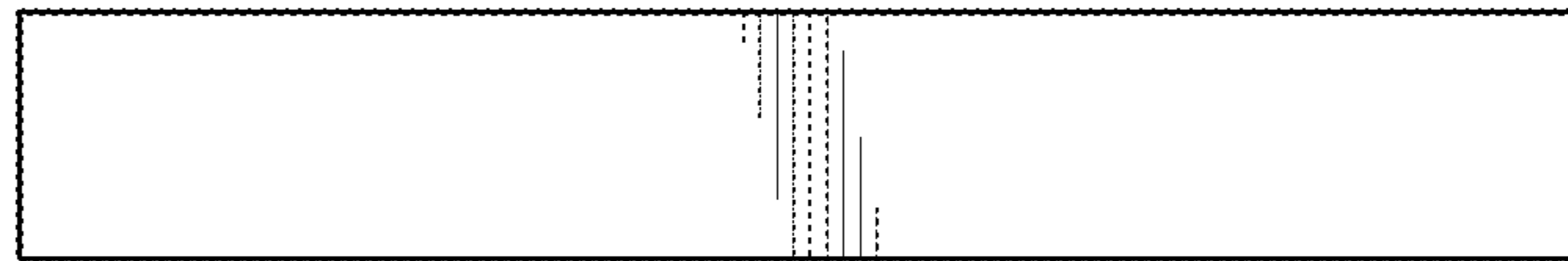


FIG. 62

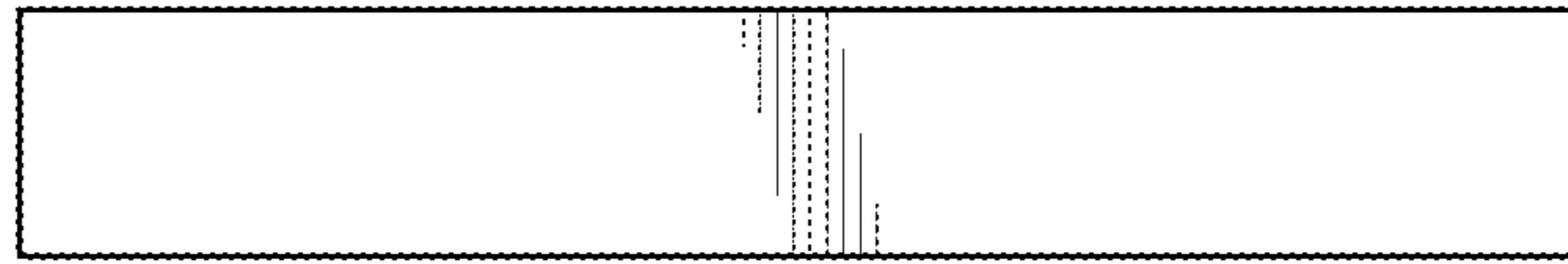


FIG. 63

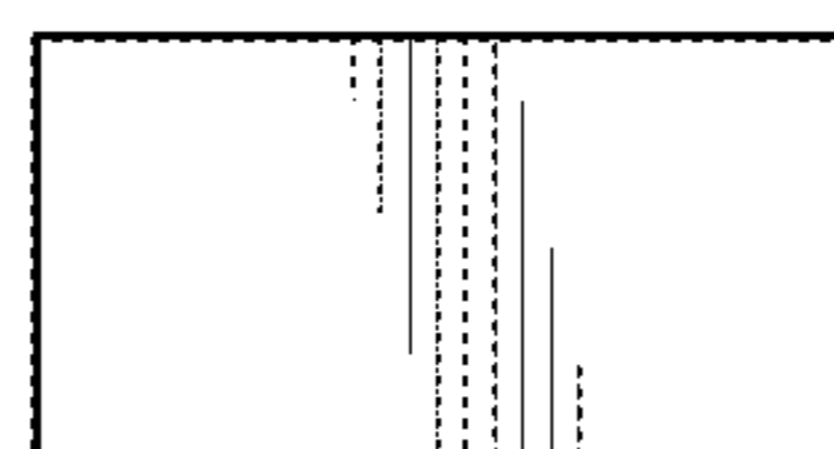


FIG. 64

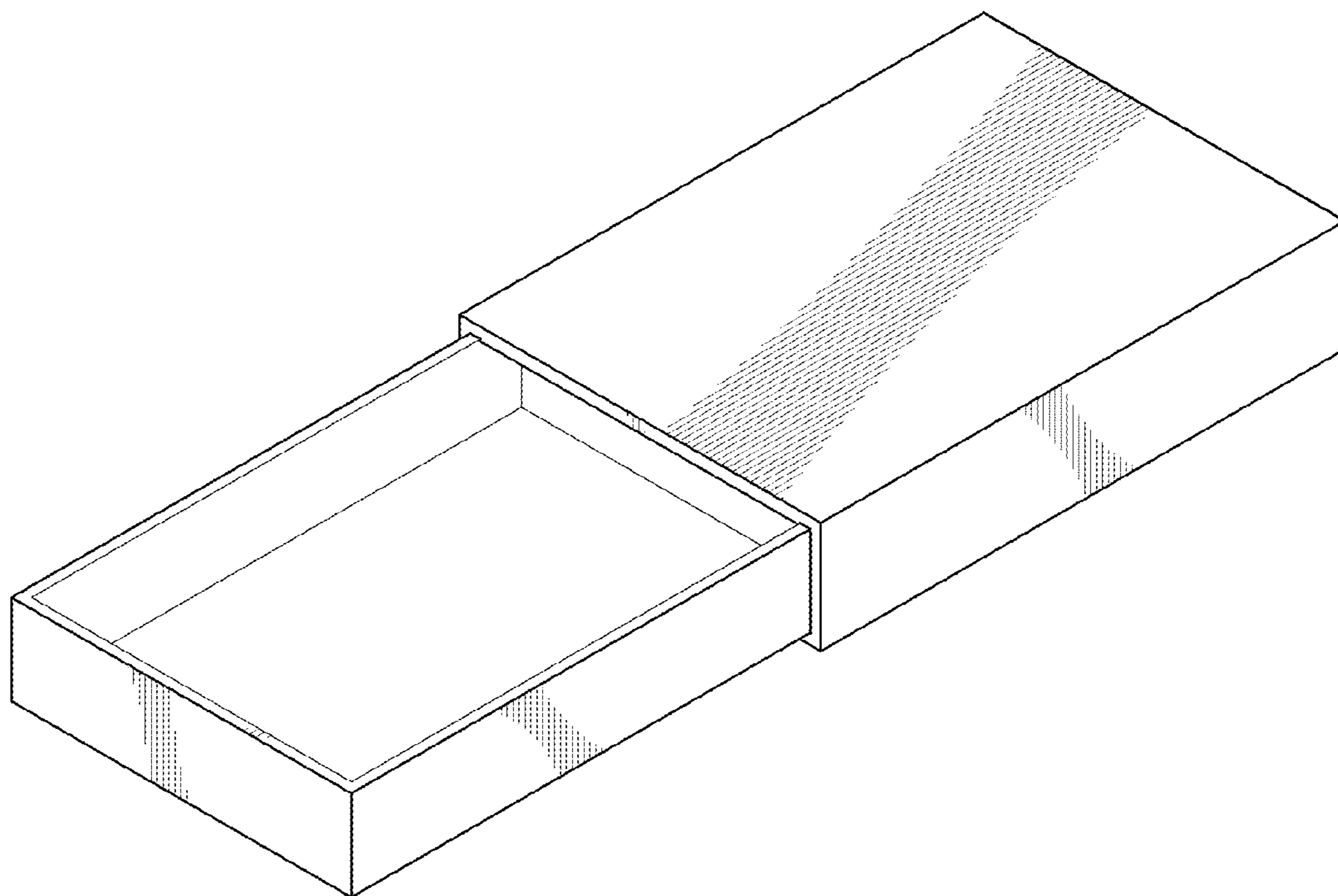


FIG. 65

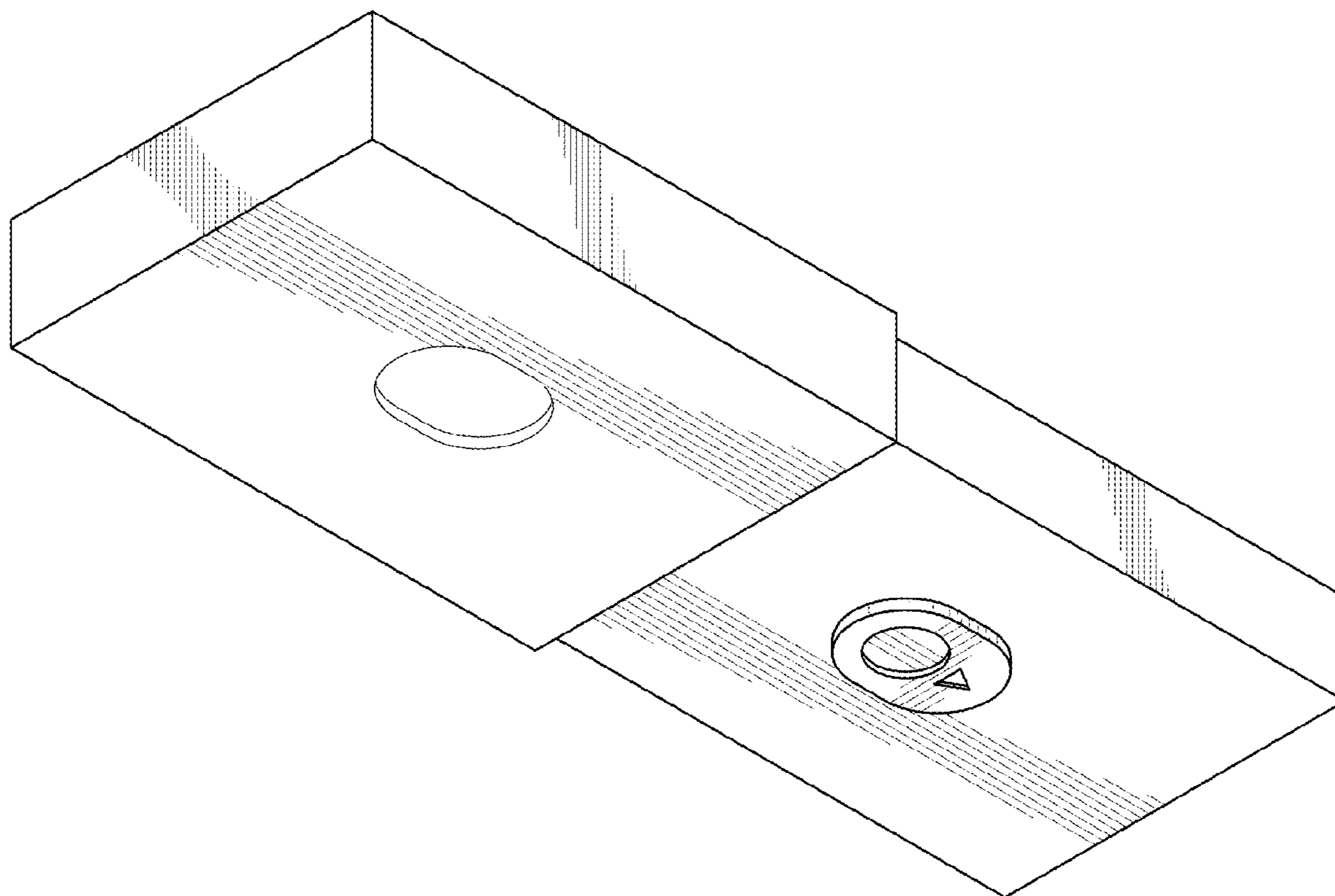


FIG. 66

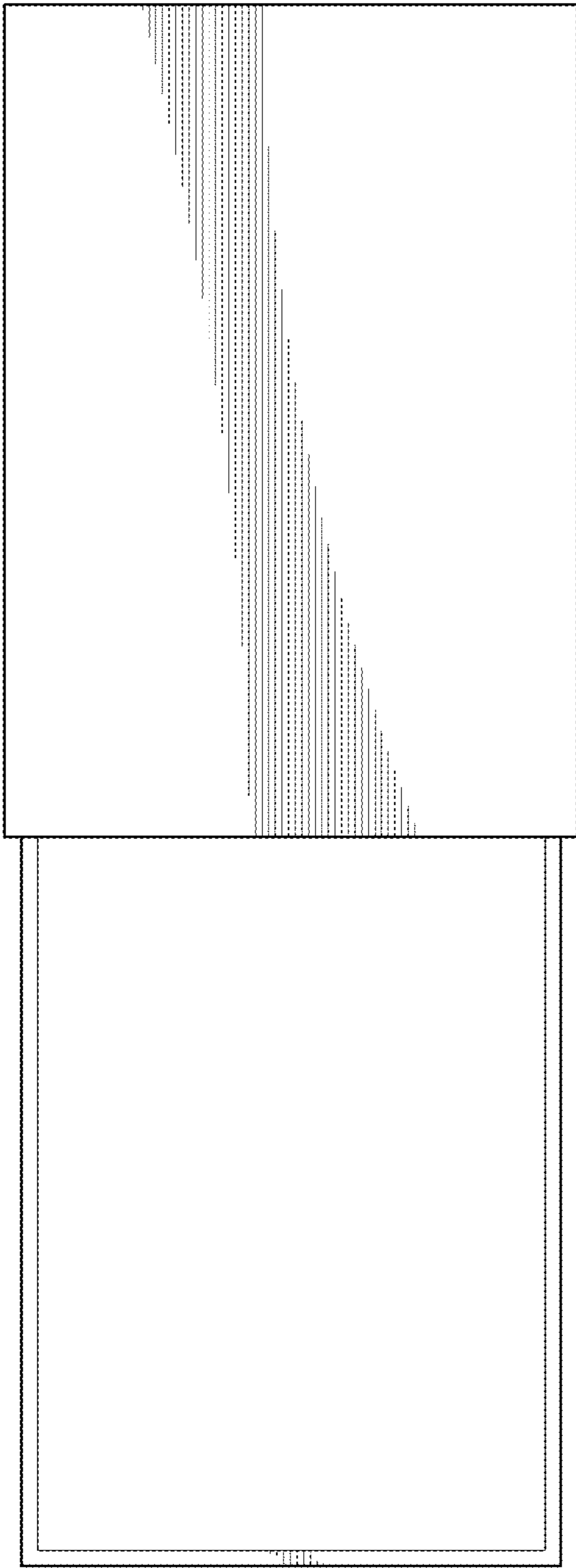


FIG. 67

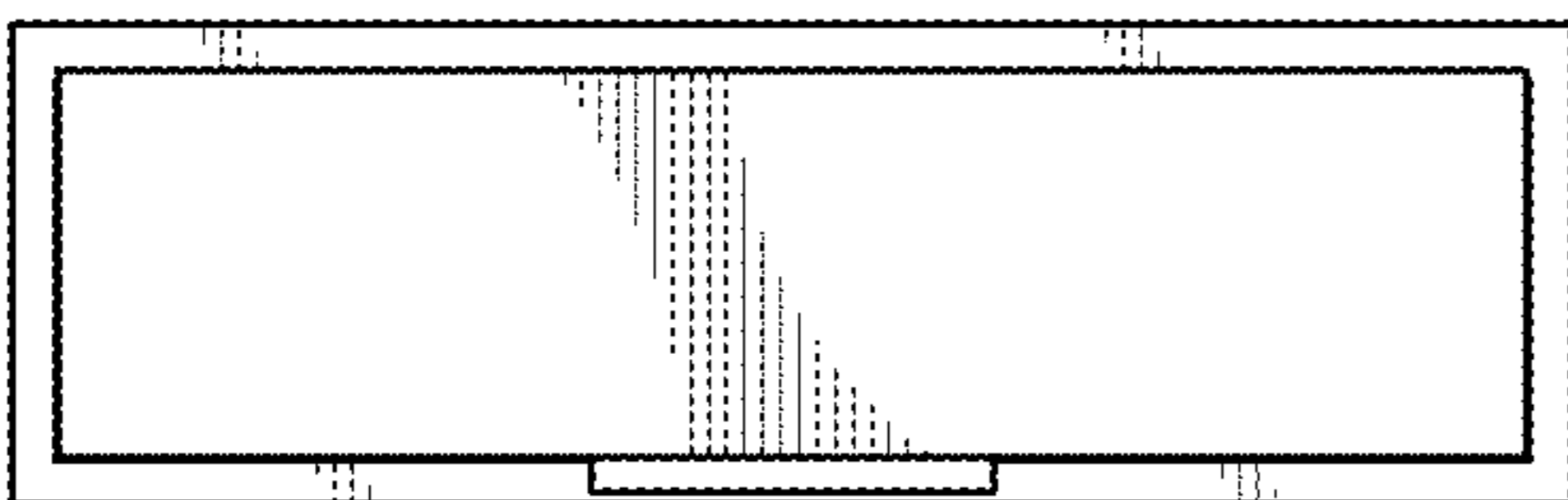


FIG. 68

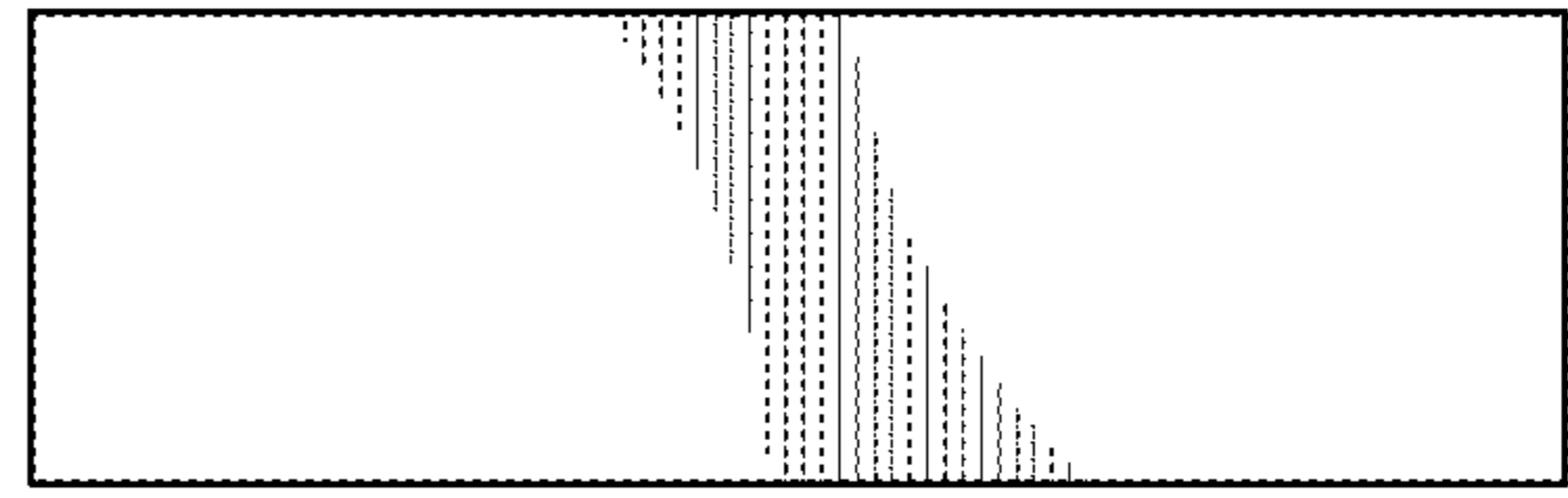


FIG. 69

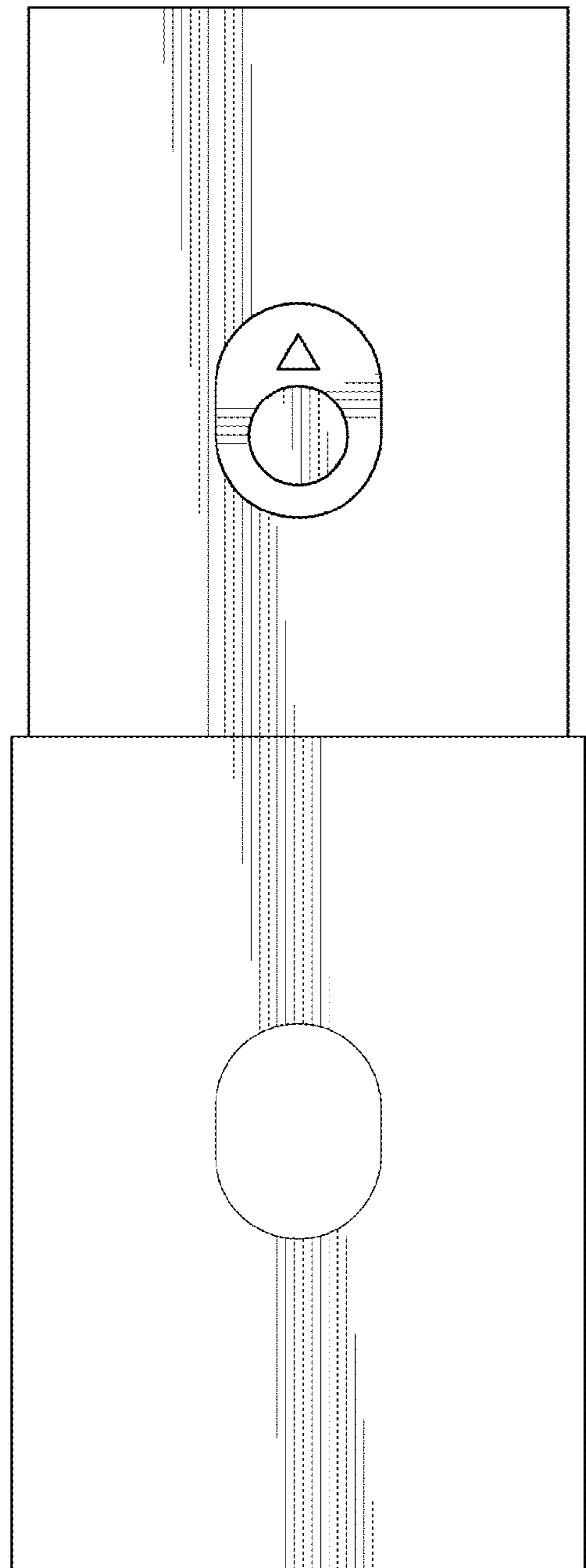


FIG. 70

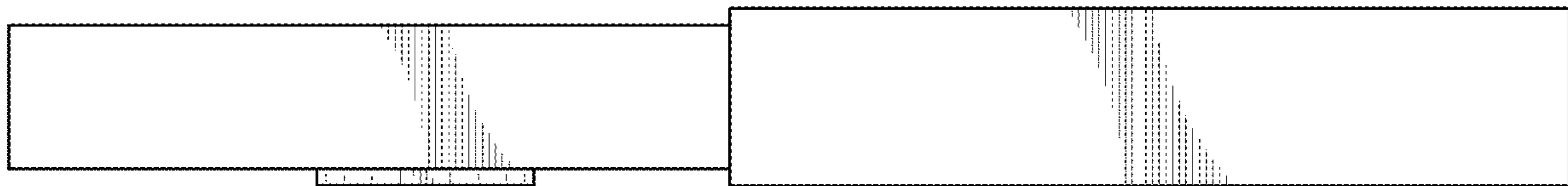


FIG. 71

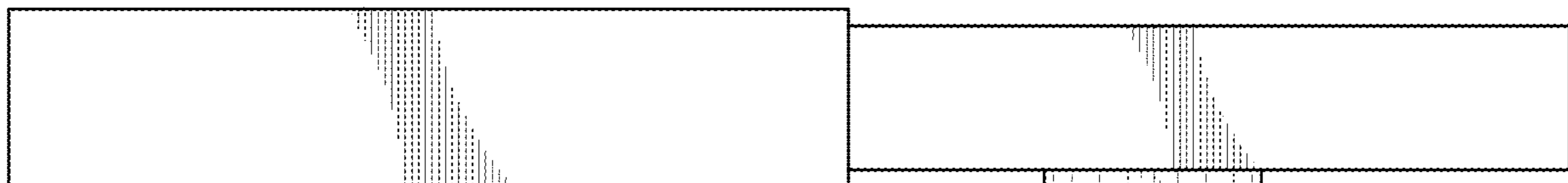


FIG. 72

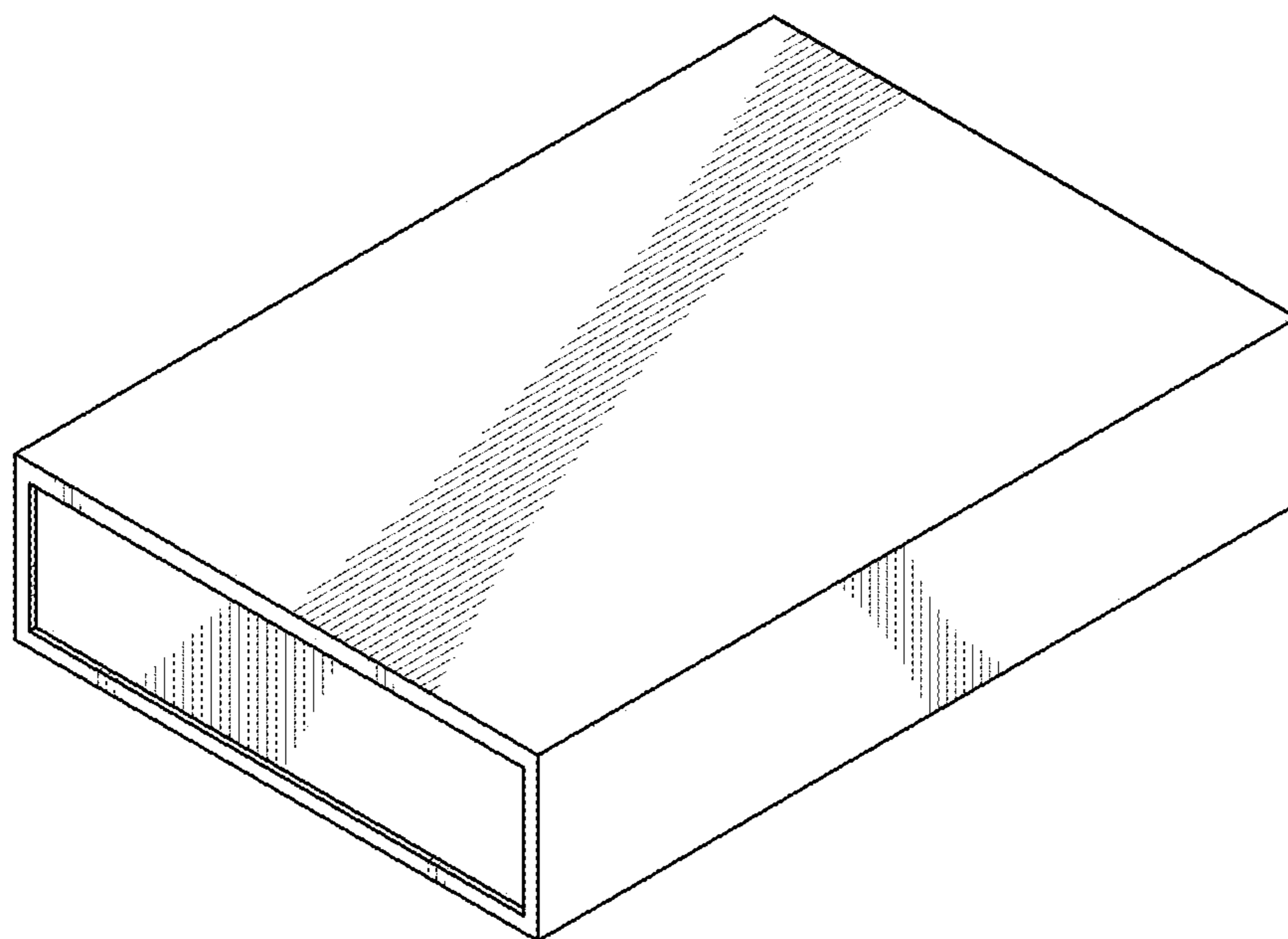


FIG. 73

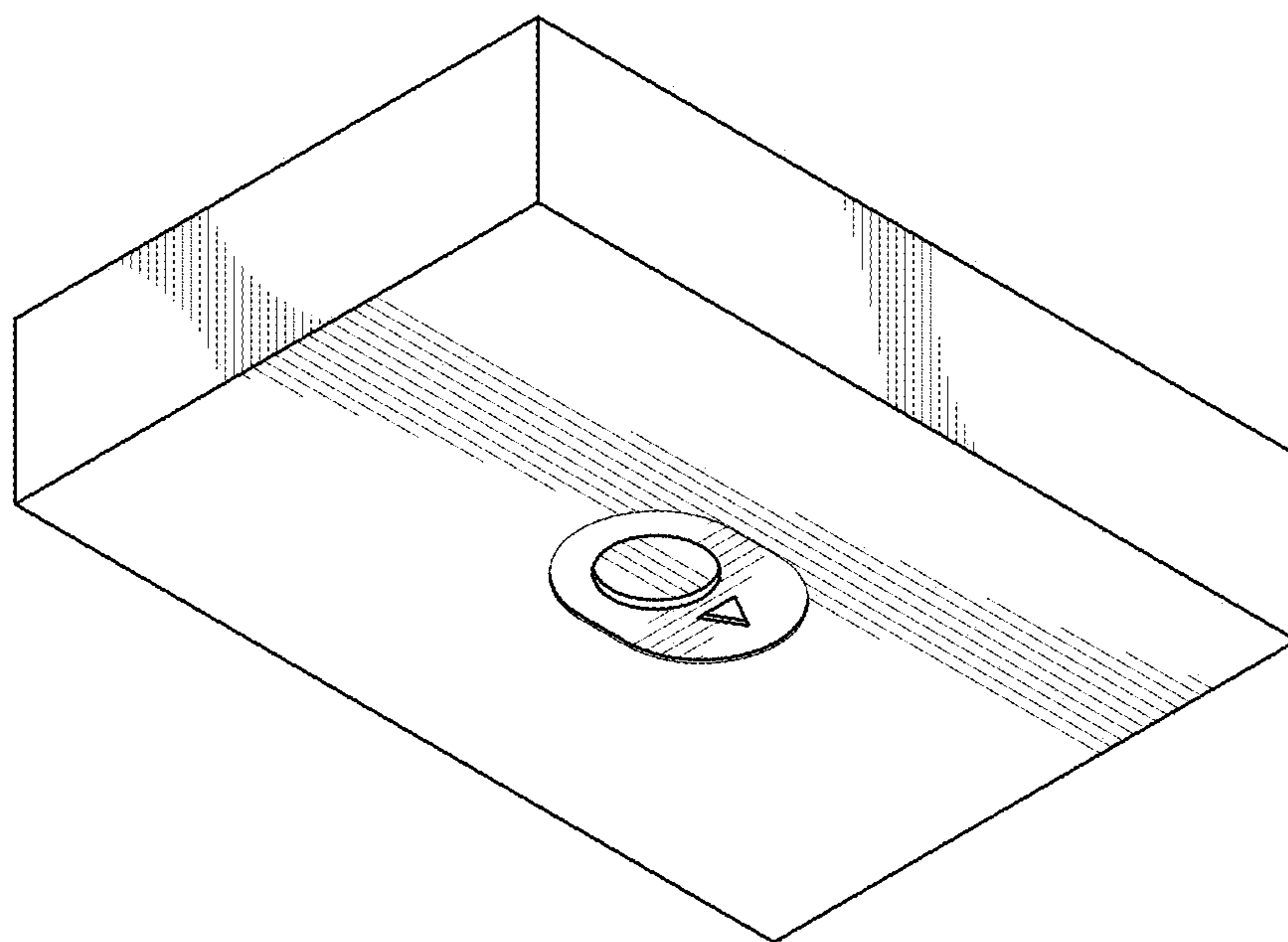


FIG. 74

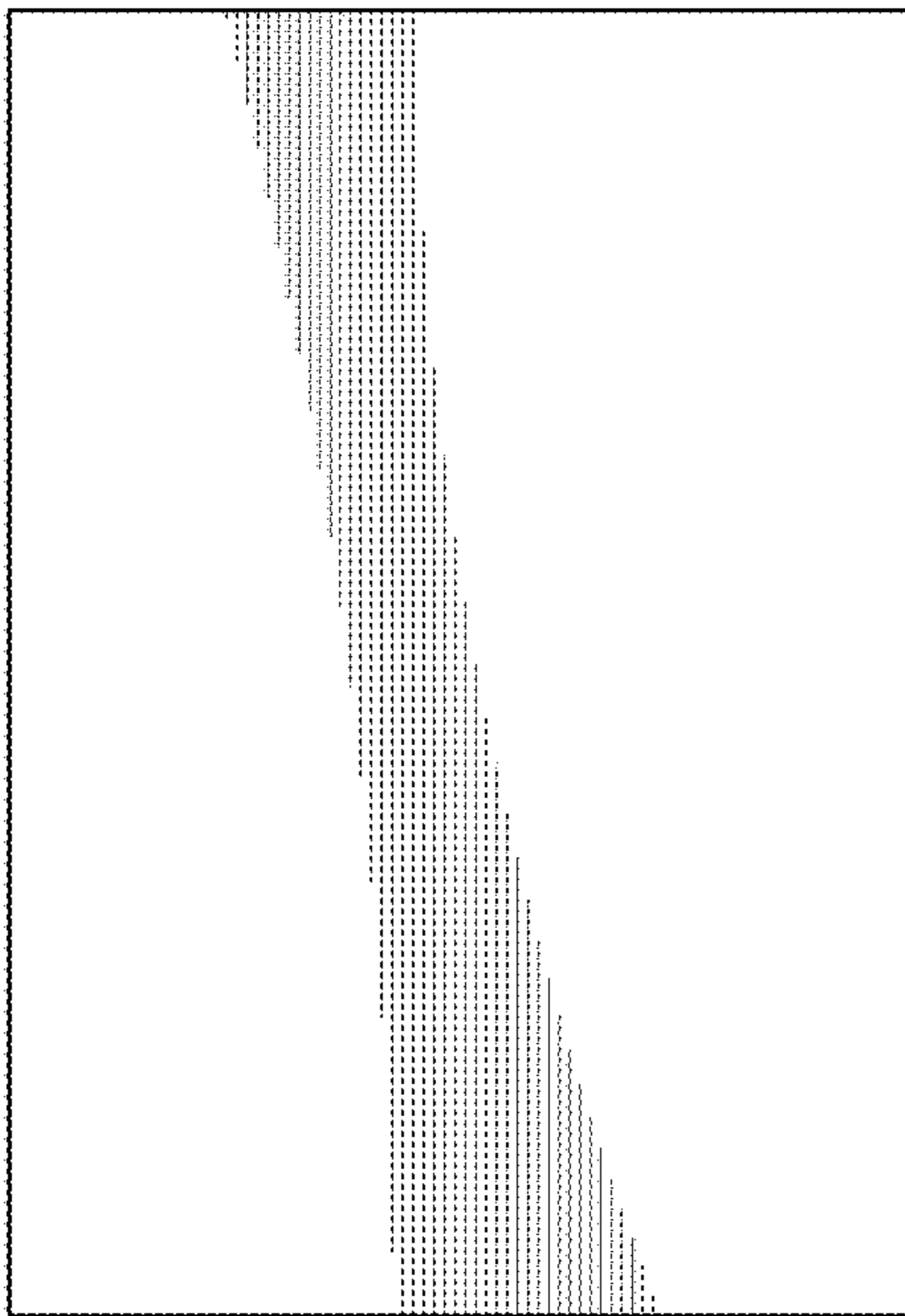


FIG. 75

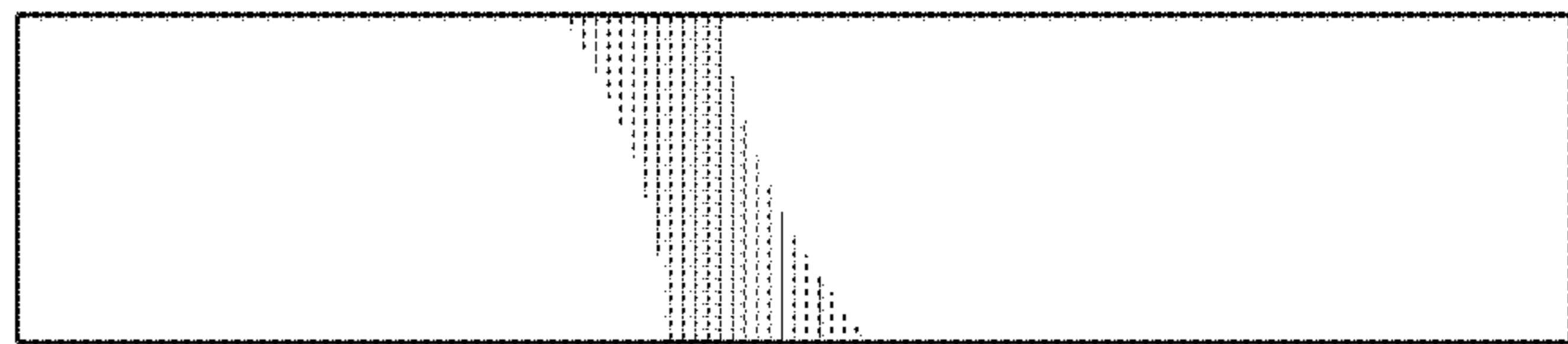


FIG. 78

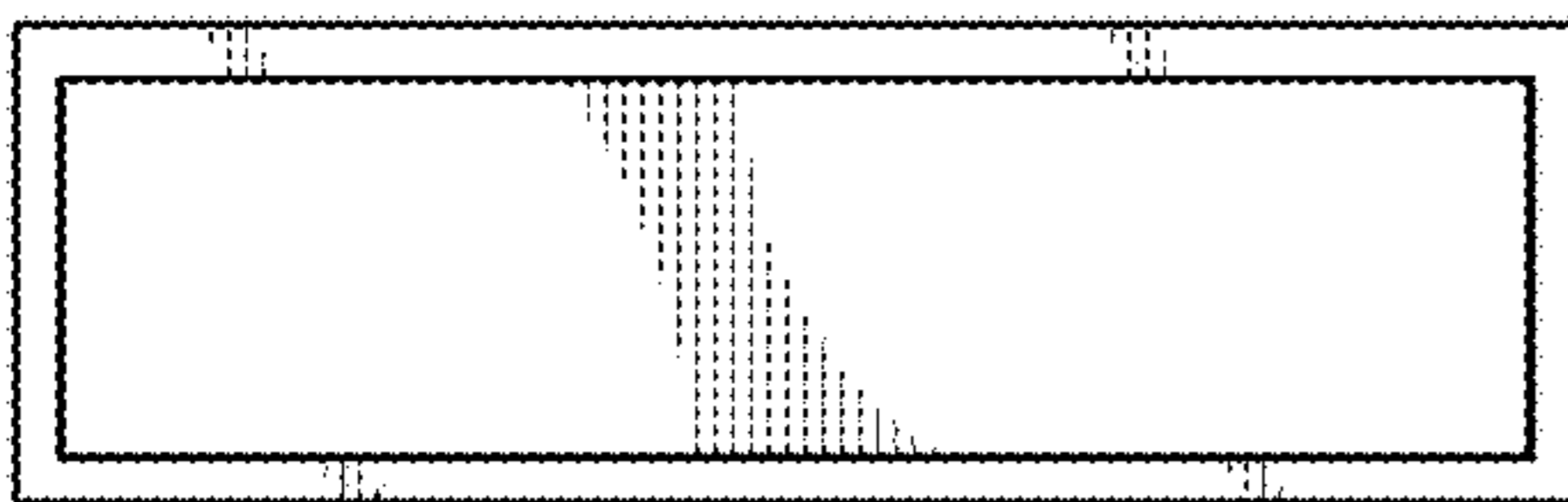


FIG. 76

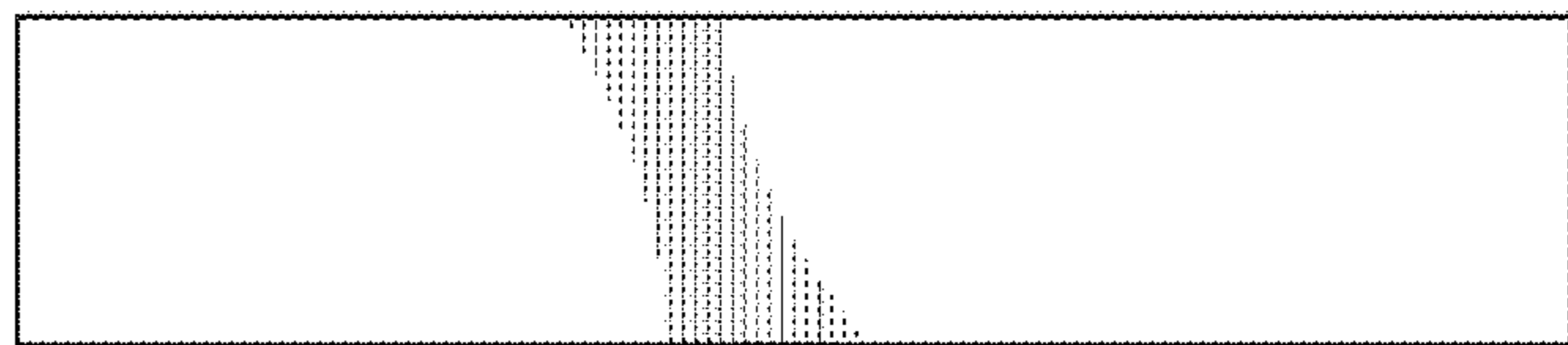


FIG. 79

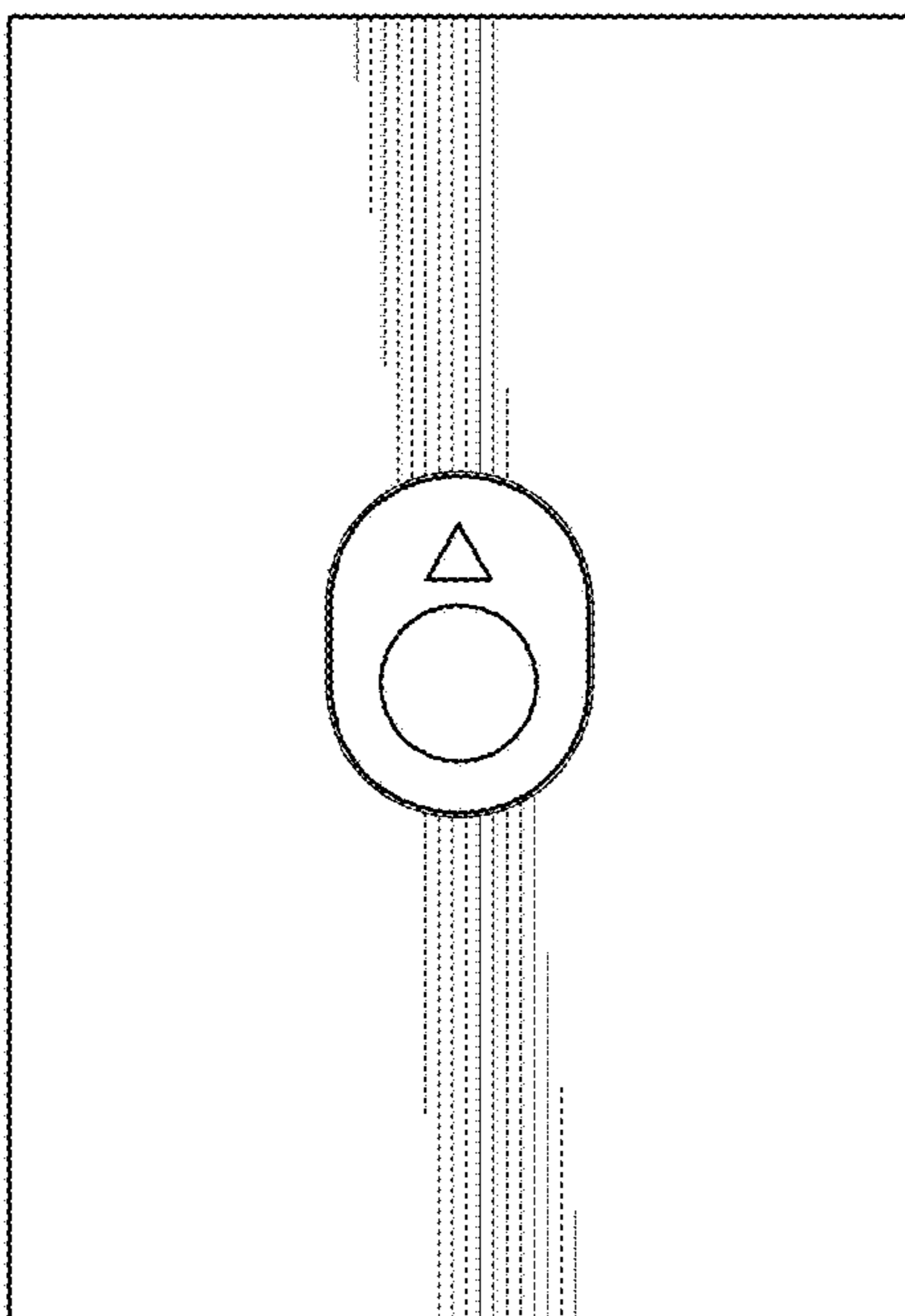


FIG. 77

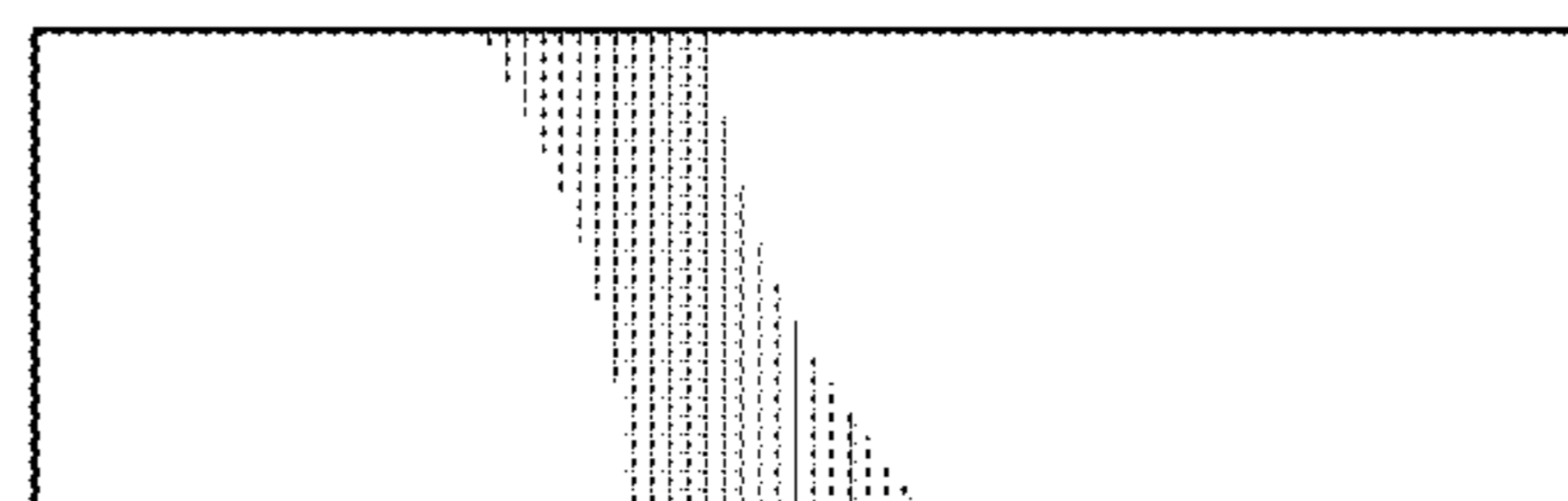


FIG. 80

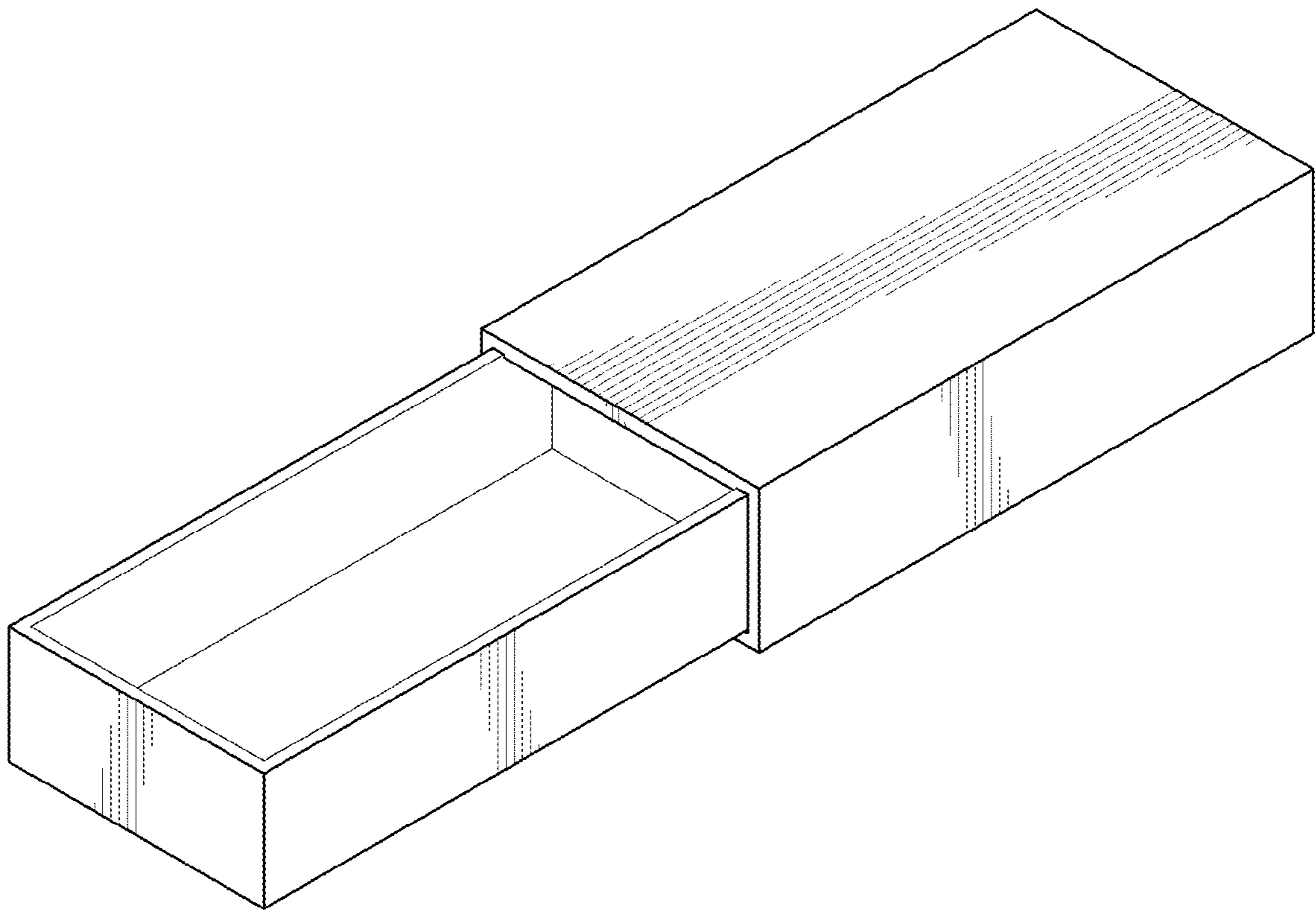


FIG. 81

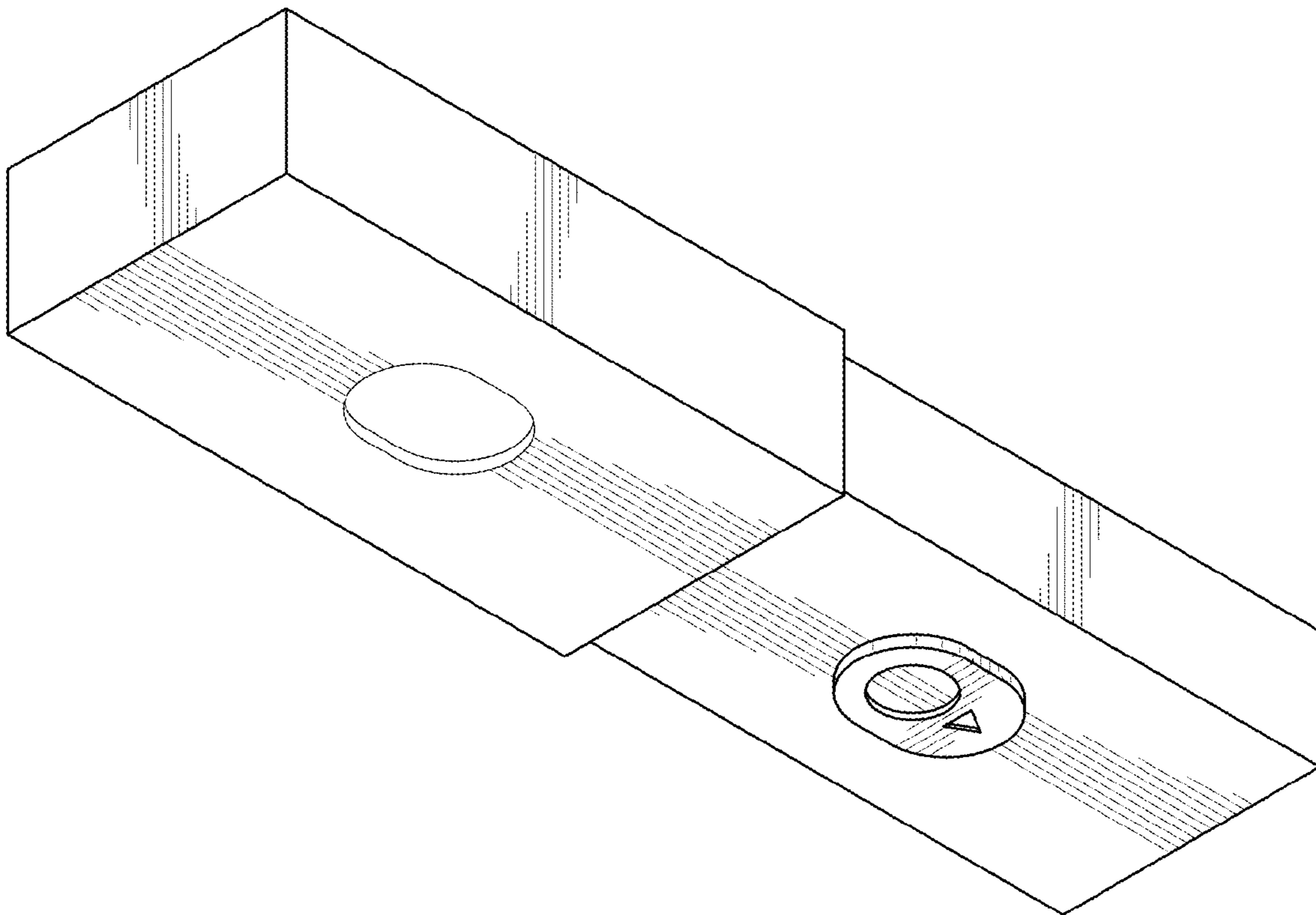


FIG. 82

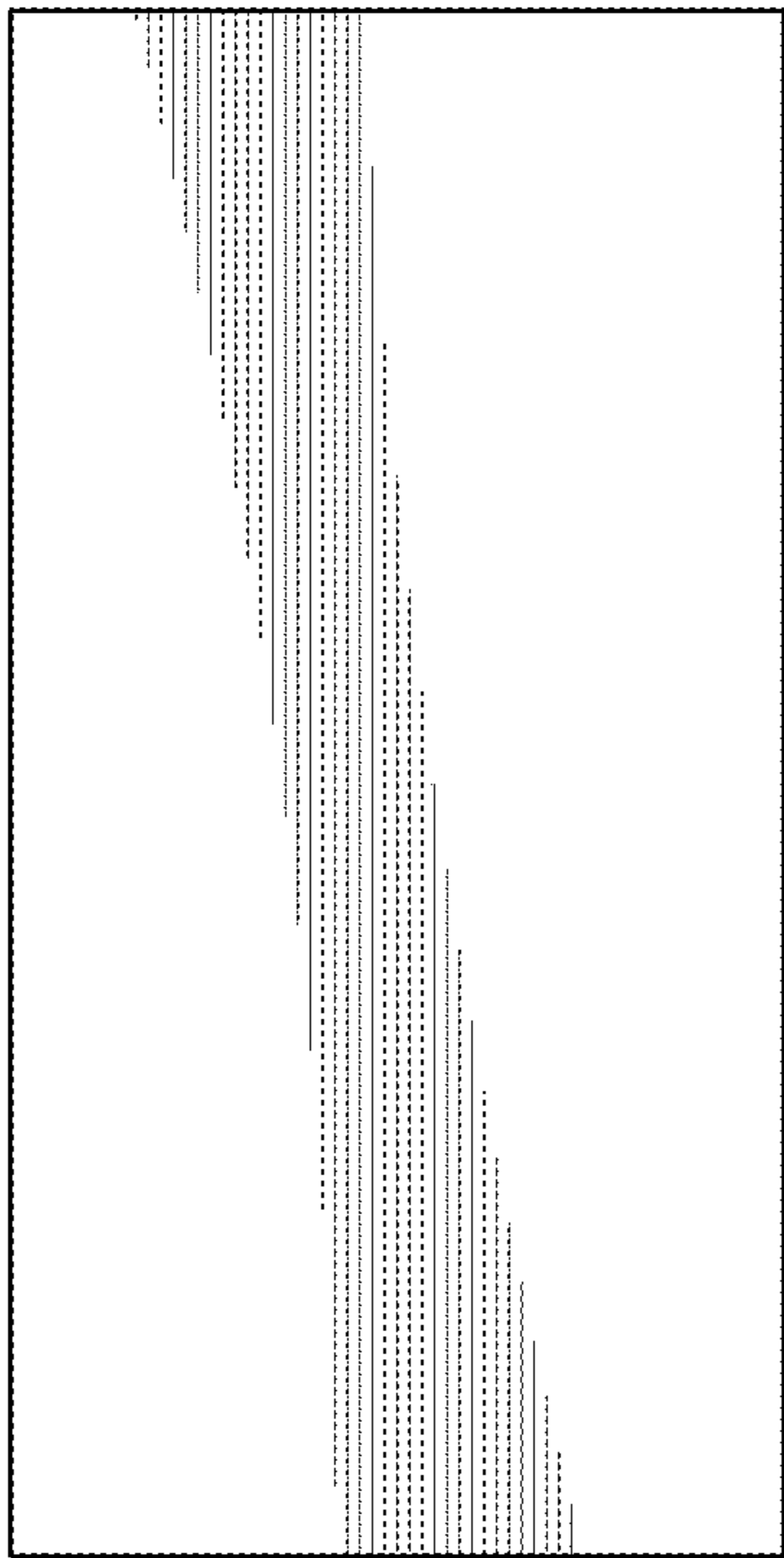


FIG. 83

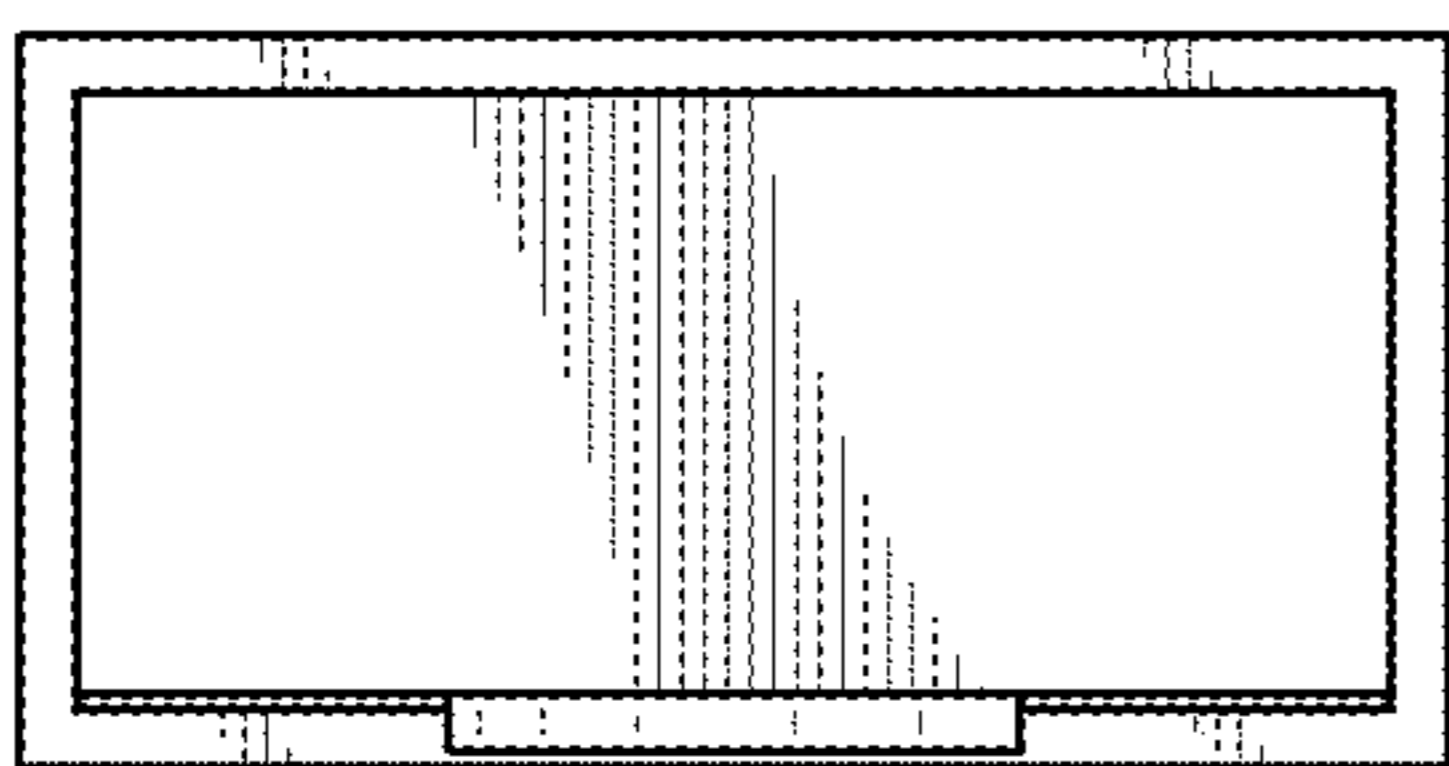


FIG. 84

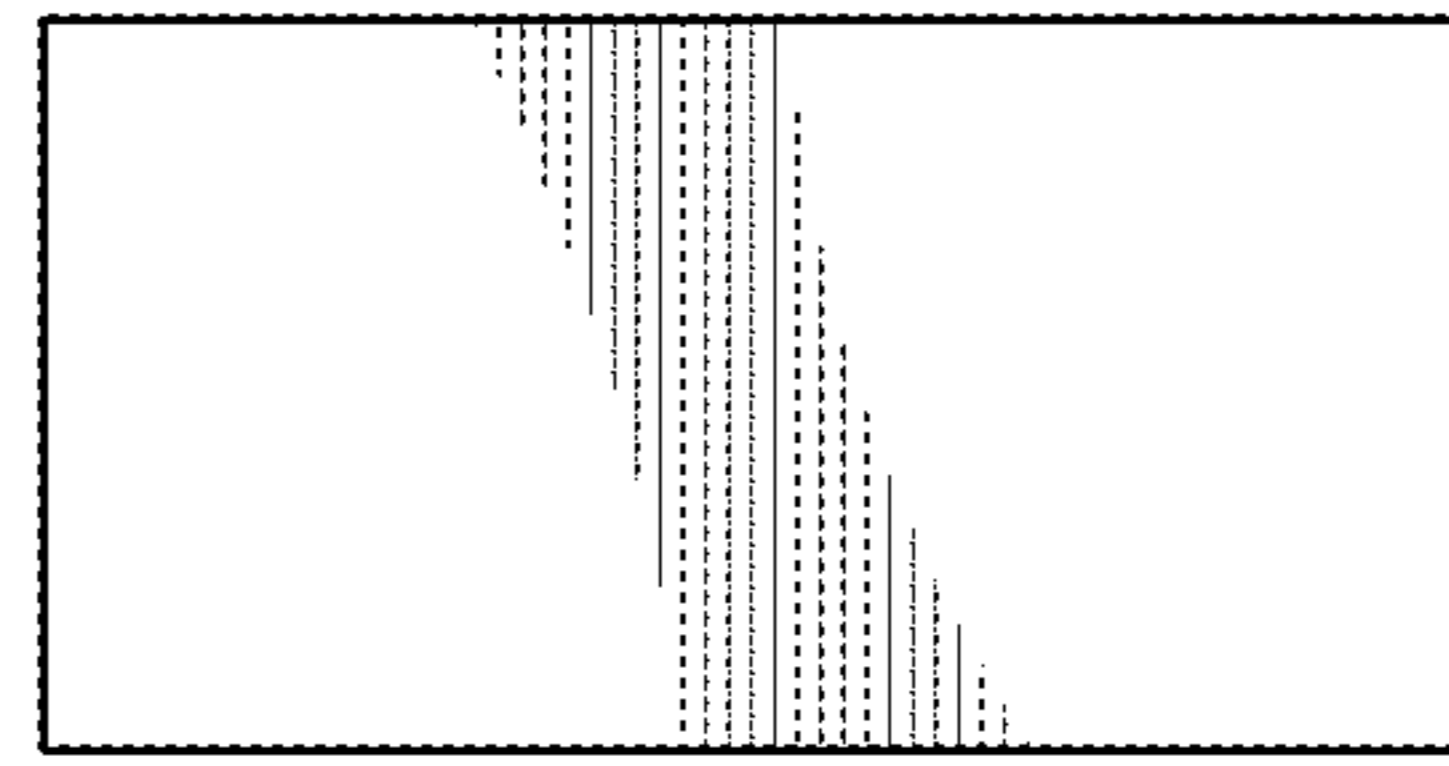


FIG. 85

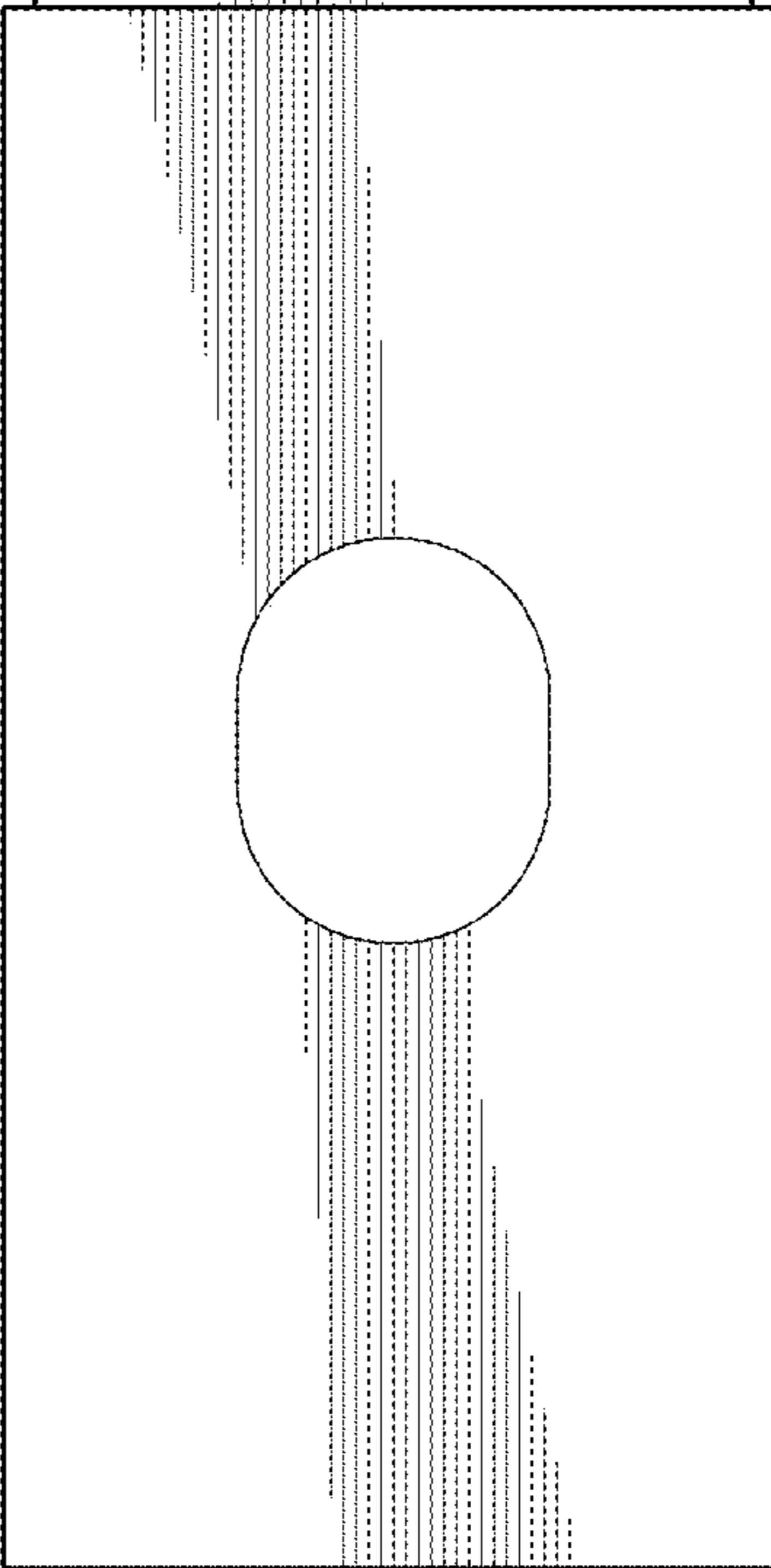
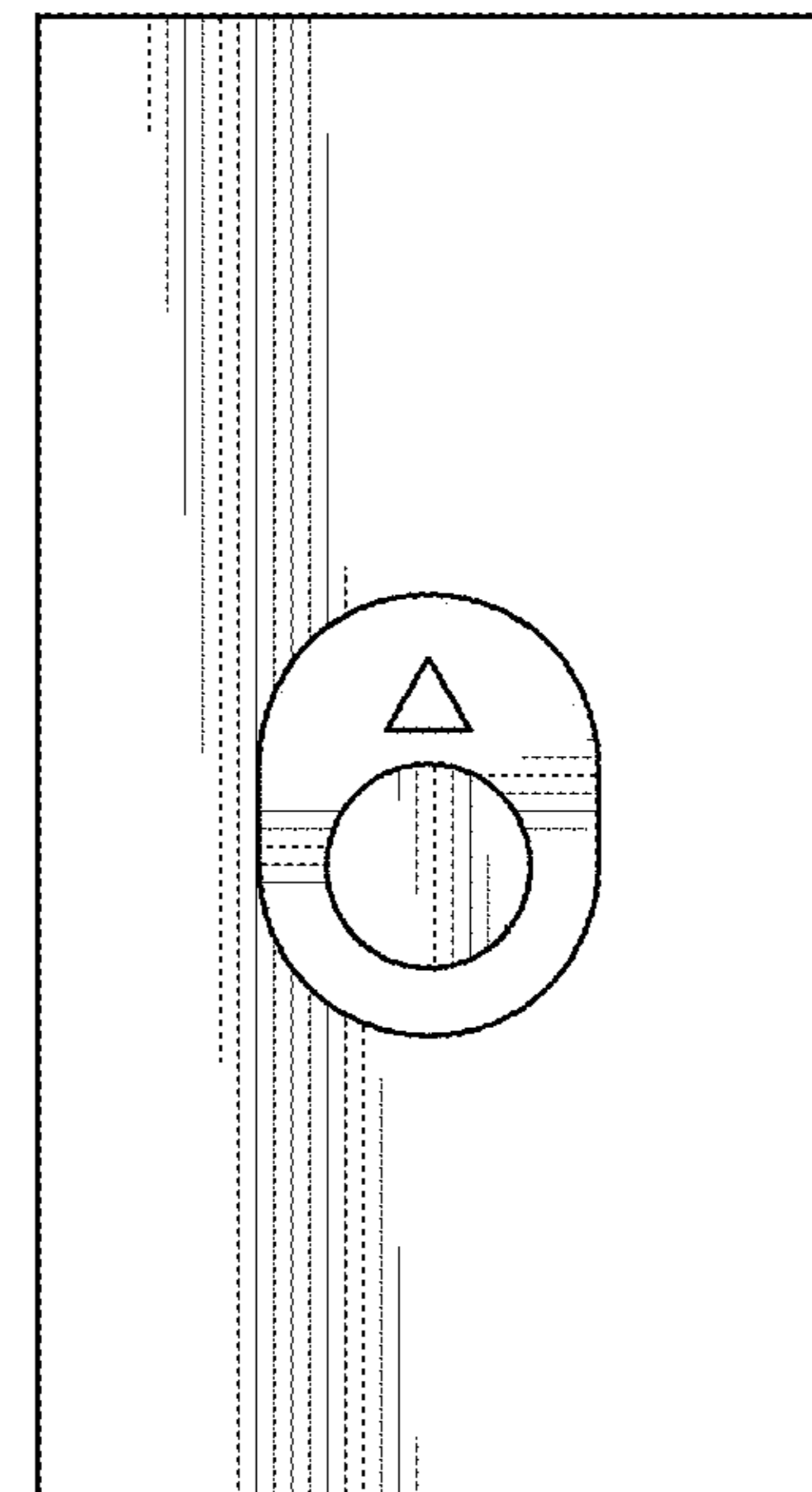


FIG. 86

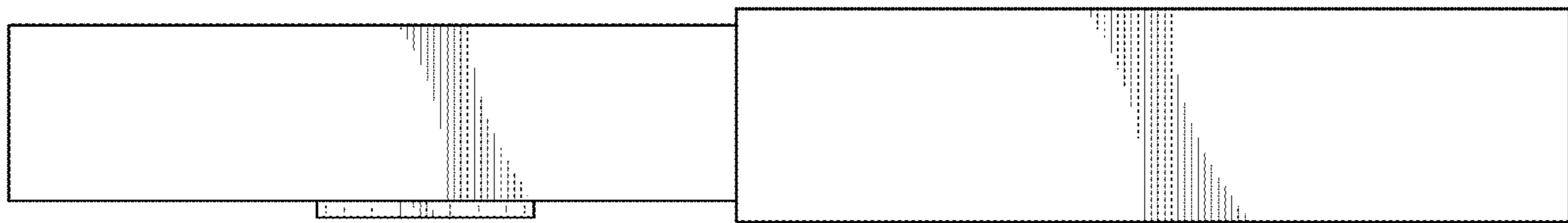


FIG. 87

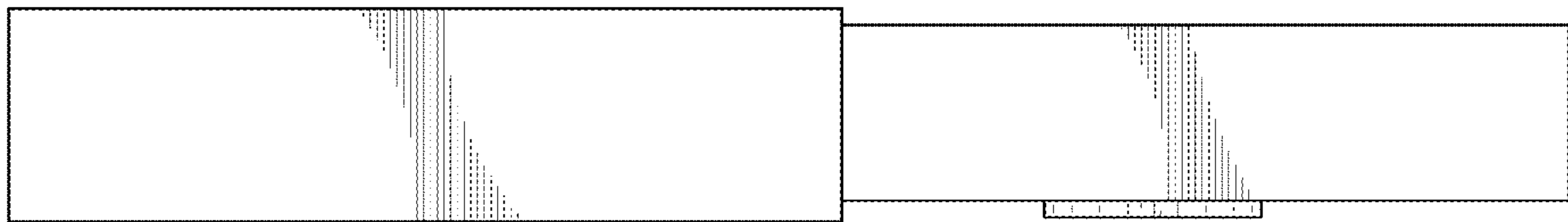


FIG. 88

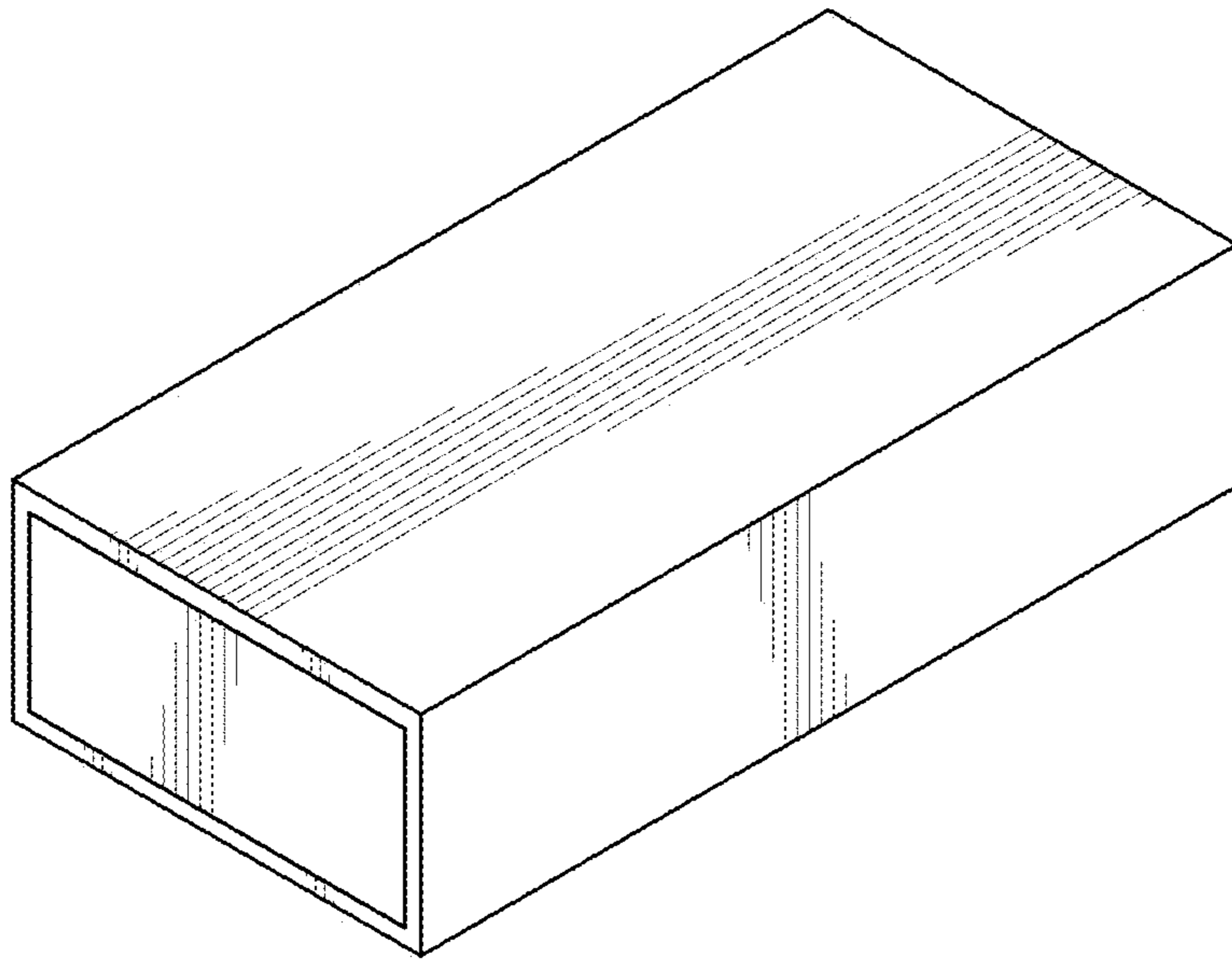


FIG. 89

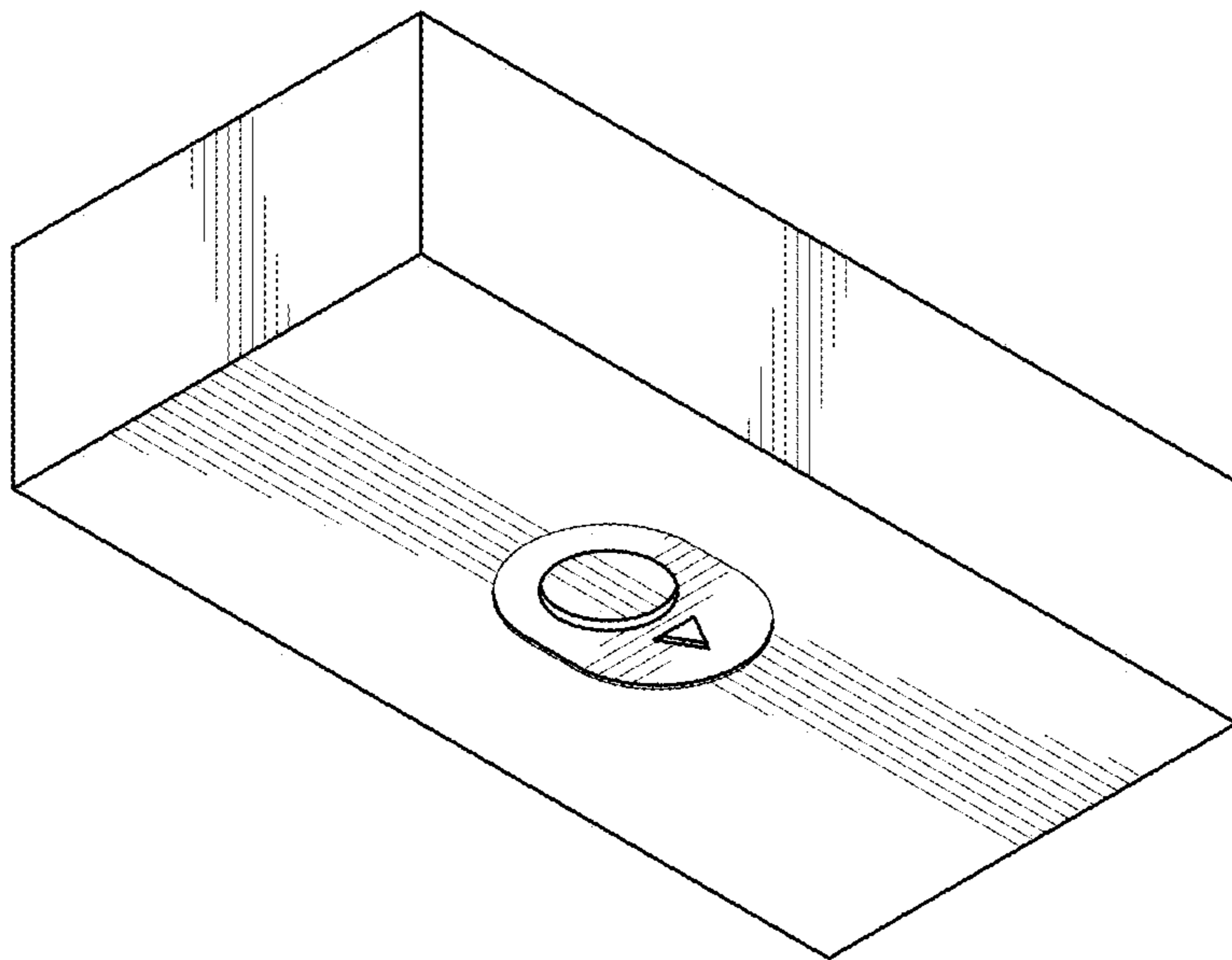


FIG. 90

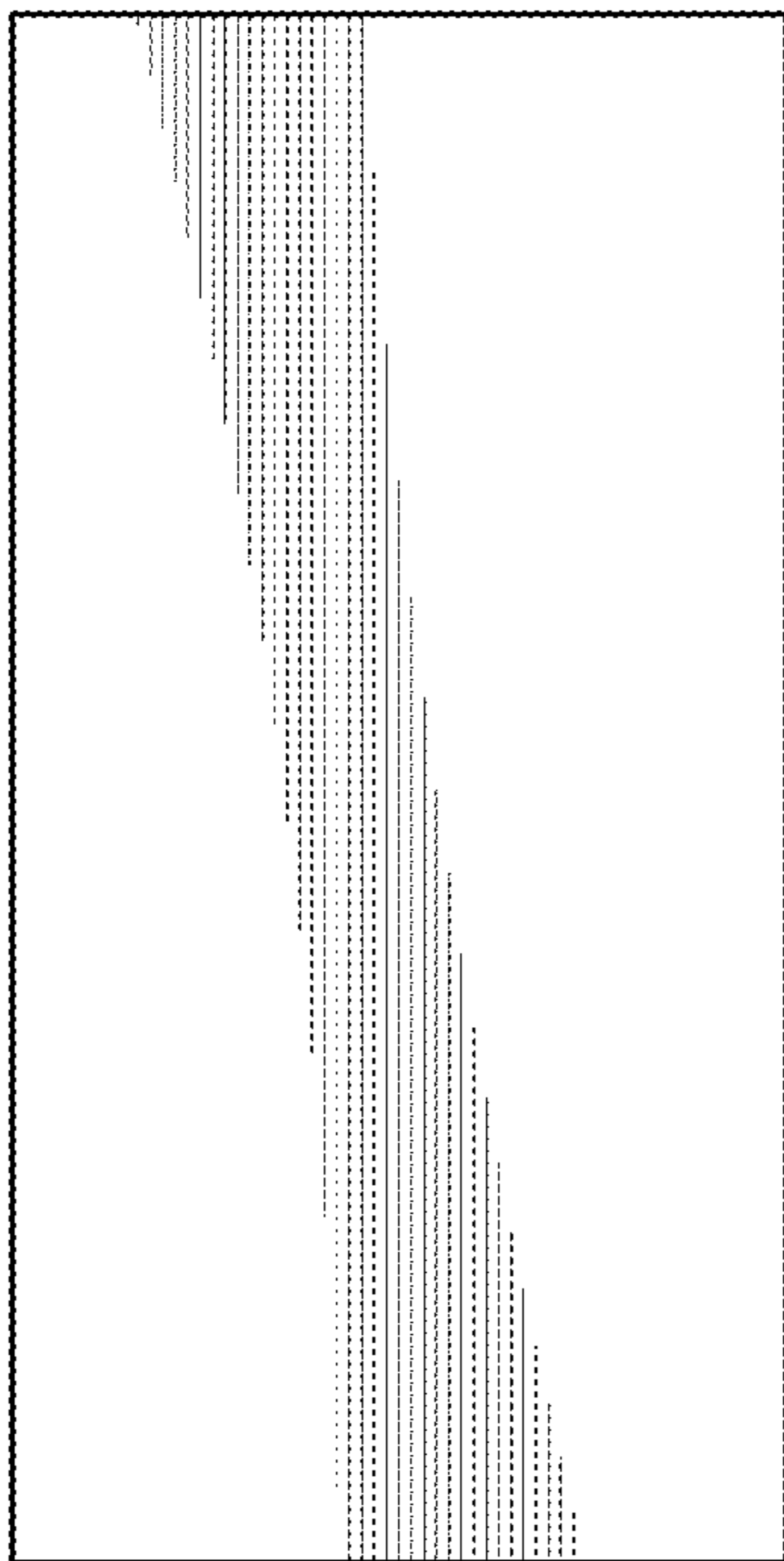


FIG. 91

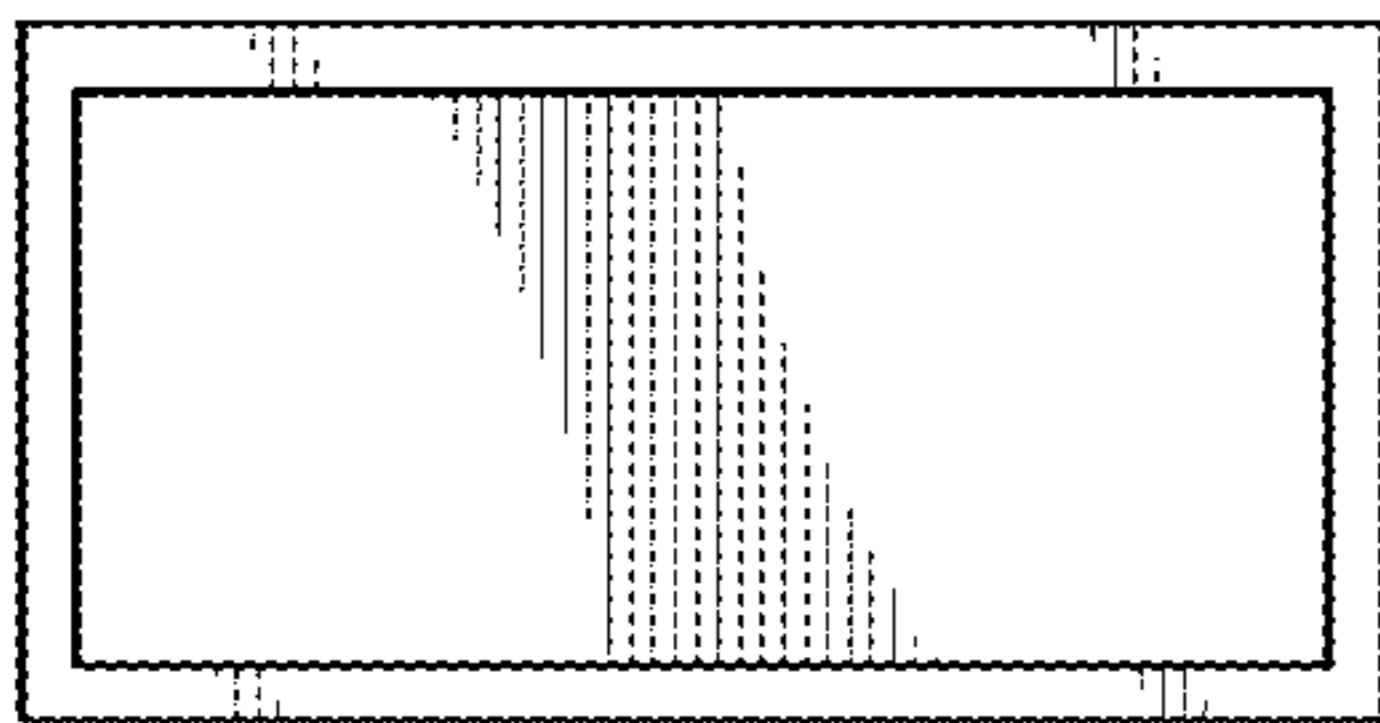


FIG. 92

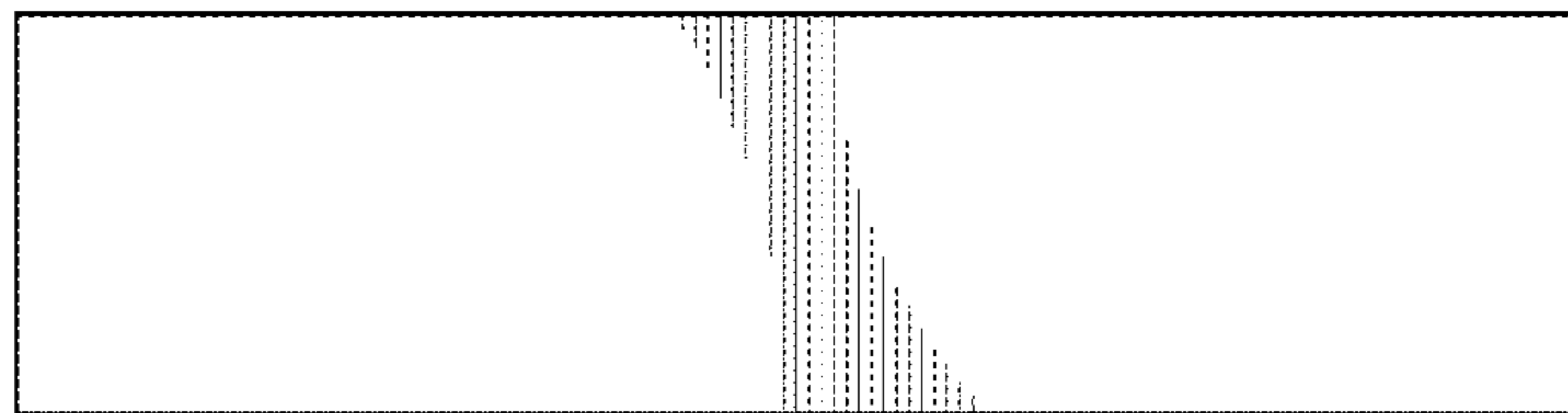


FIG. 94

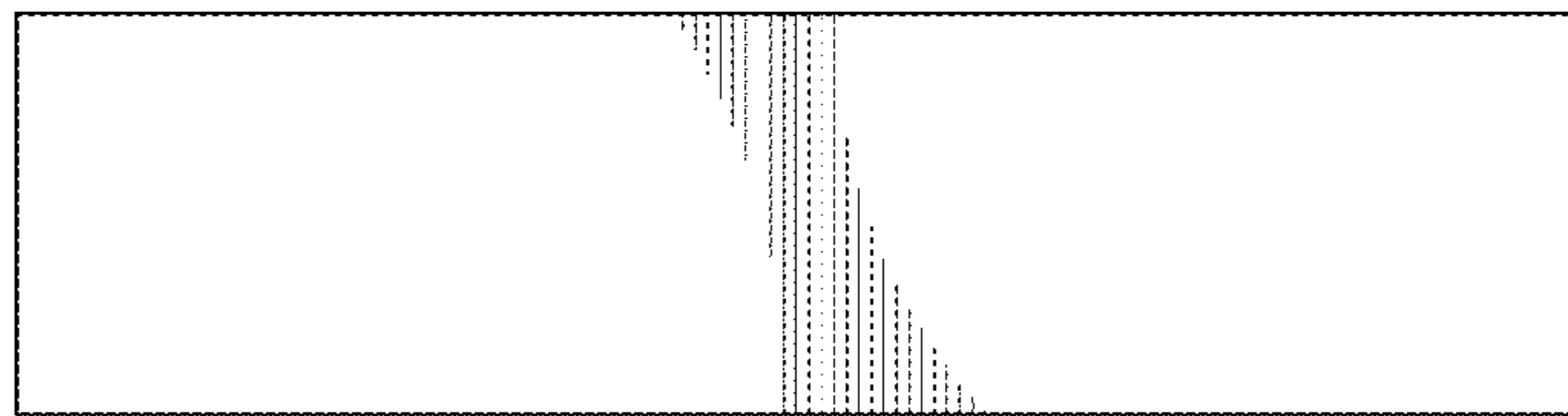


FIG. 95

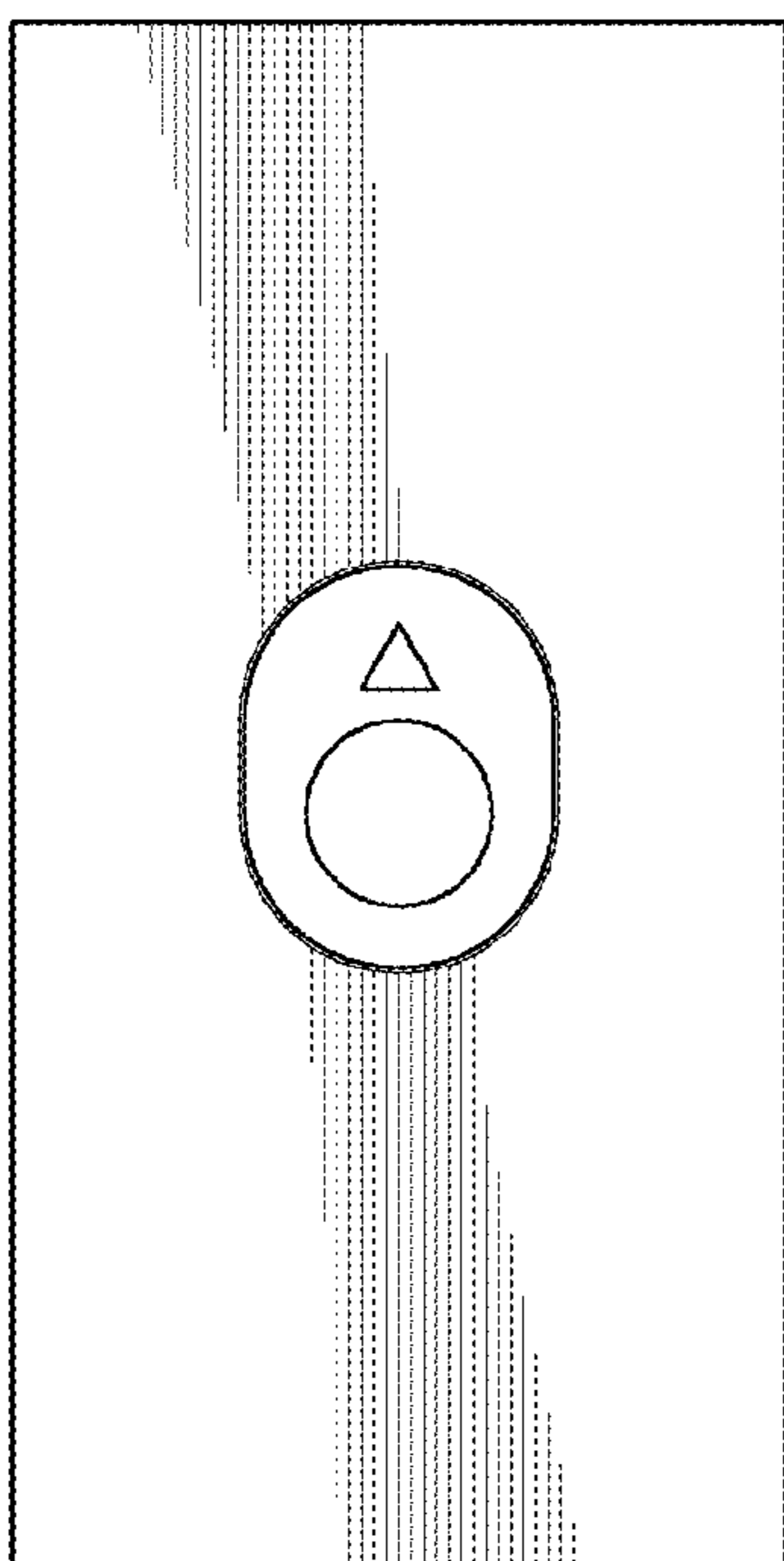


FIG. 93

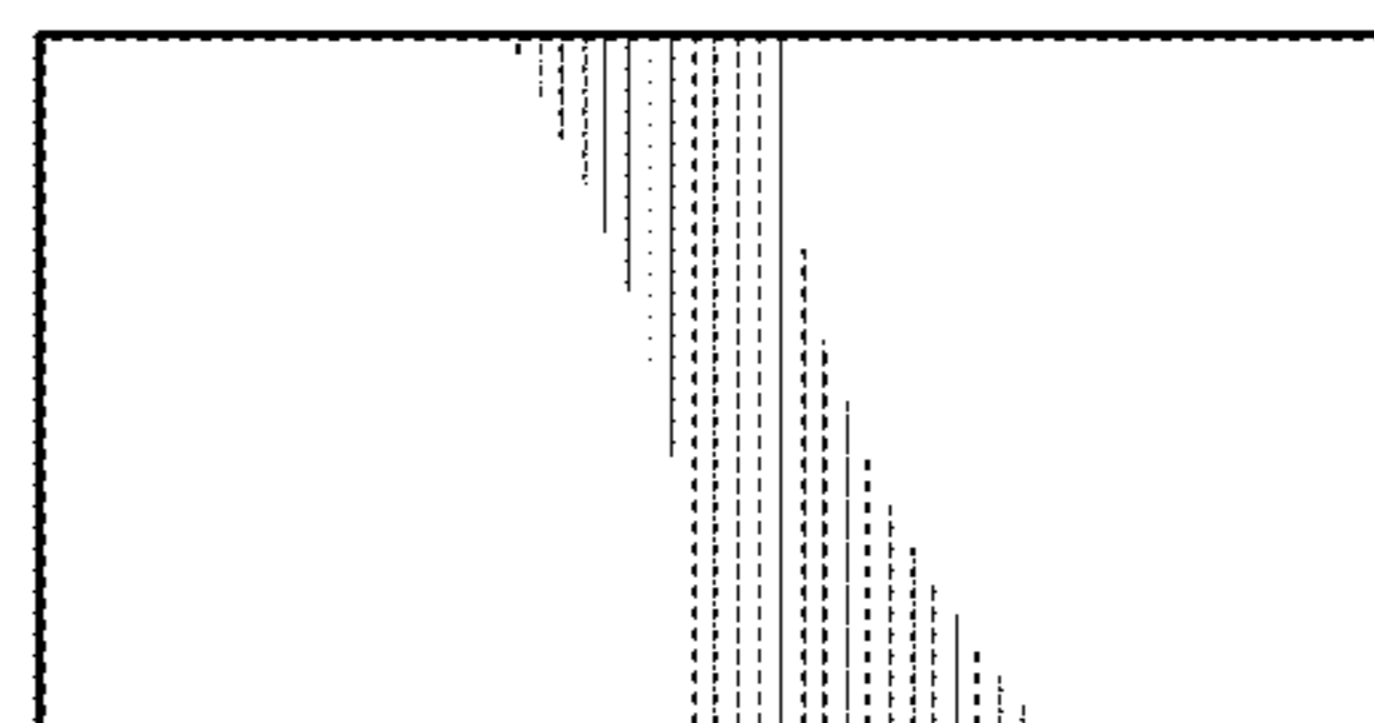


FIG. 96

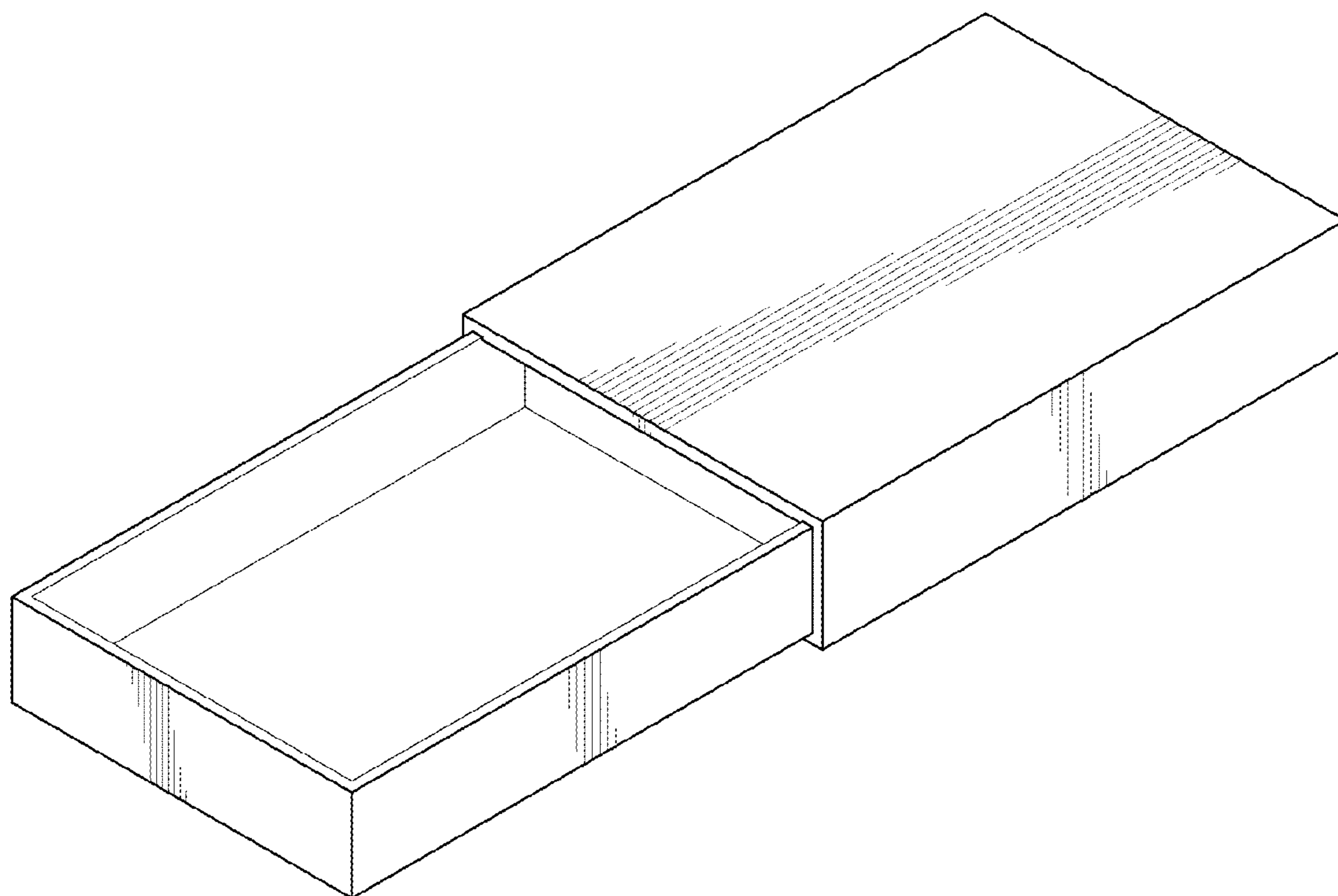


FIG. 97

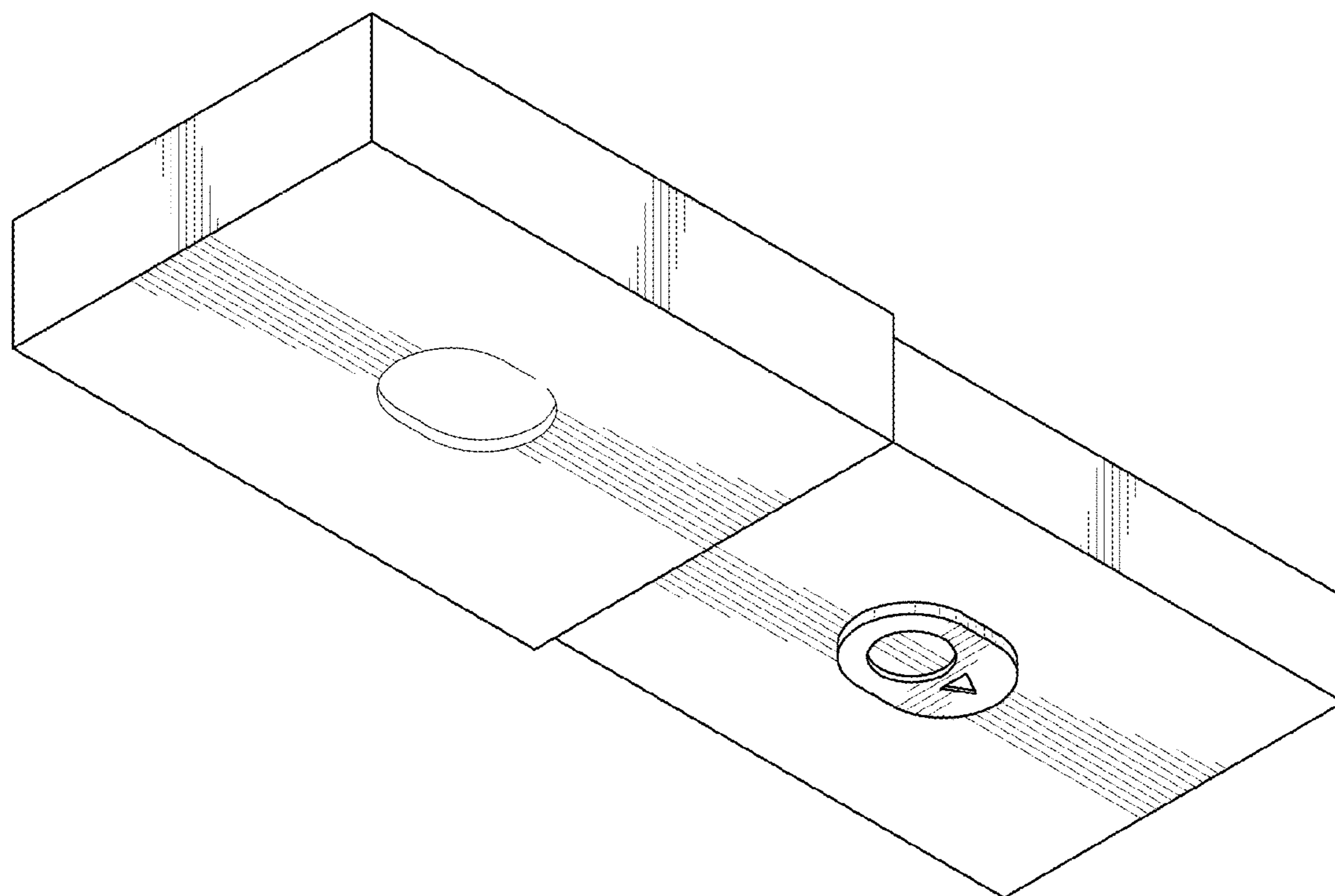


FIG. 98

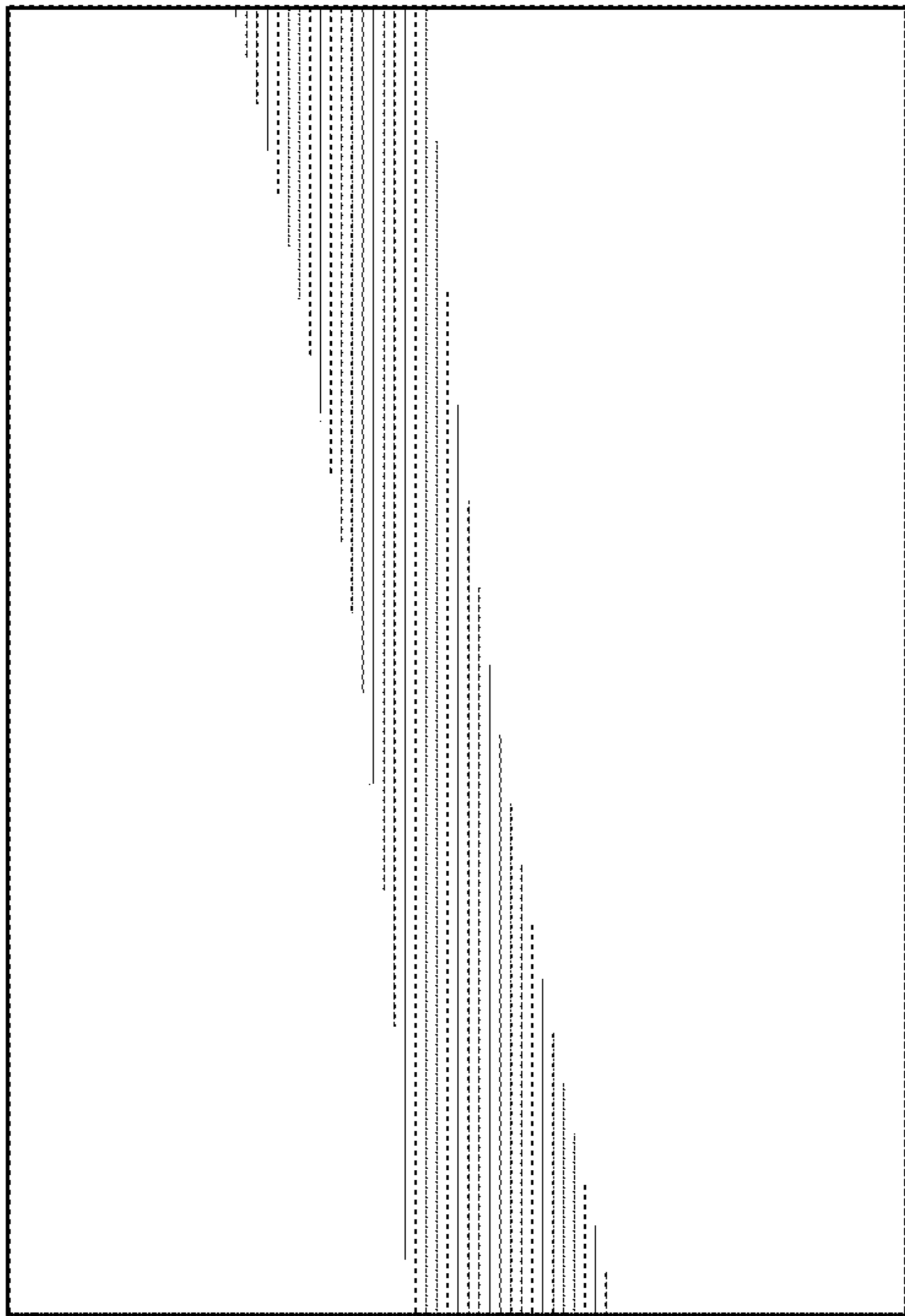


FIG. 99

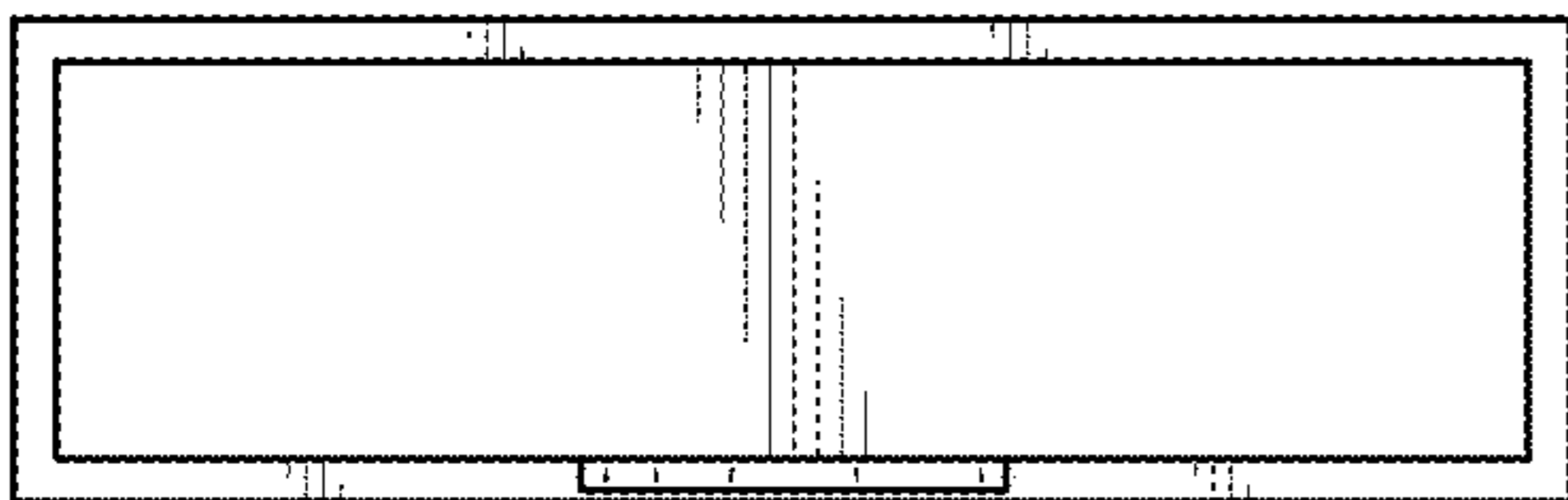


FIG. 100

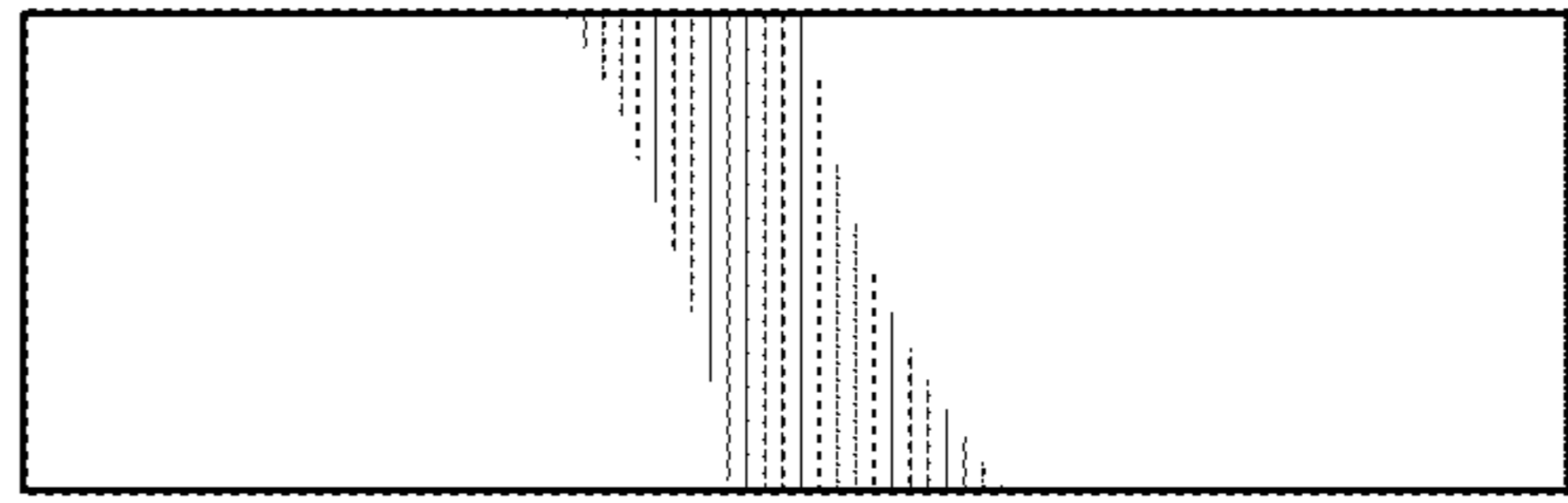


FIG. 101

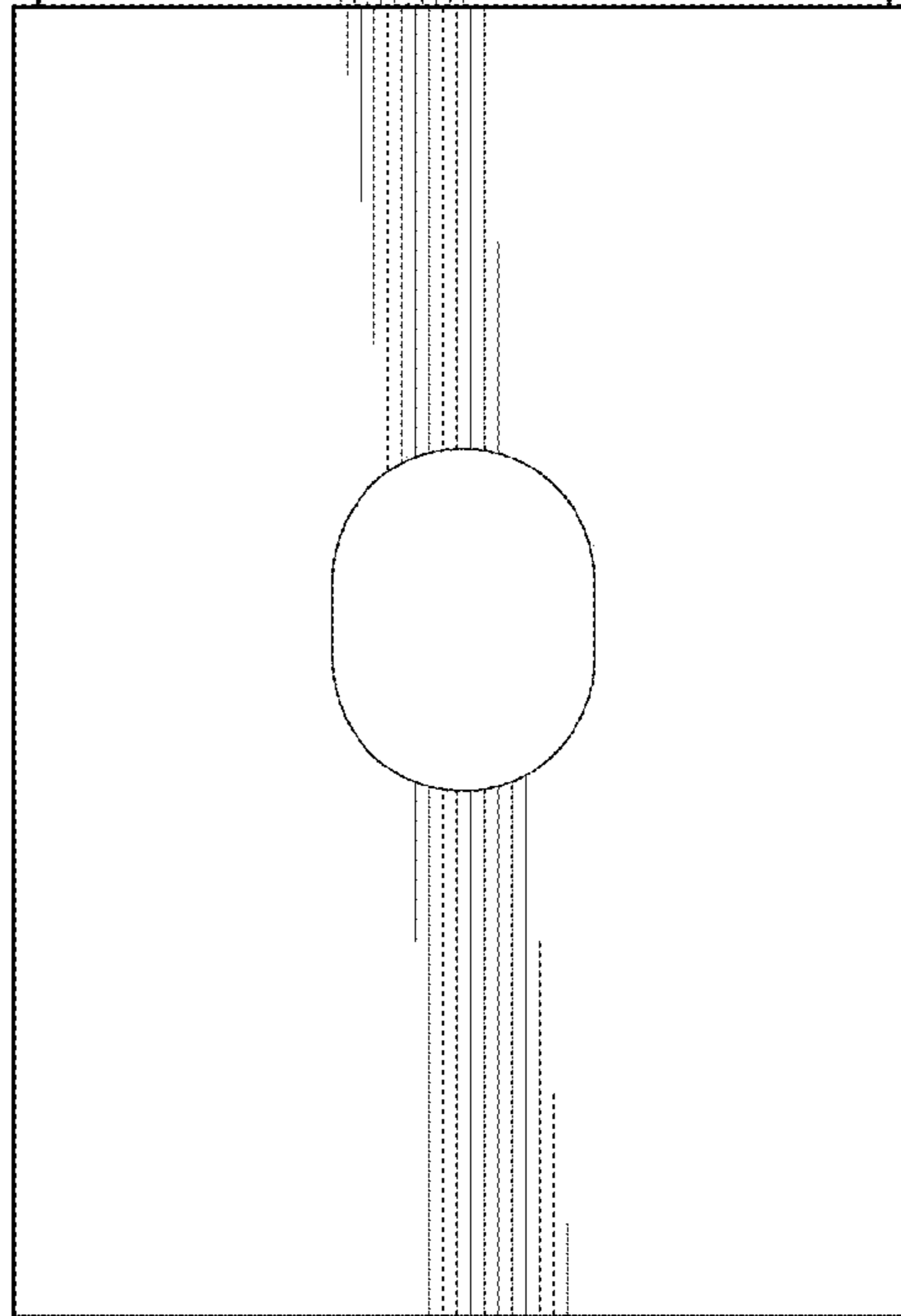
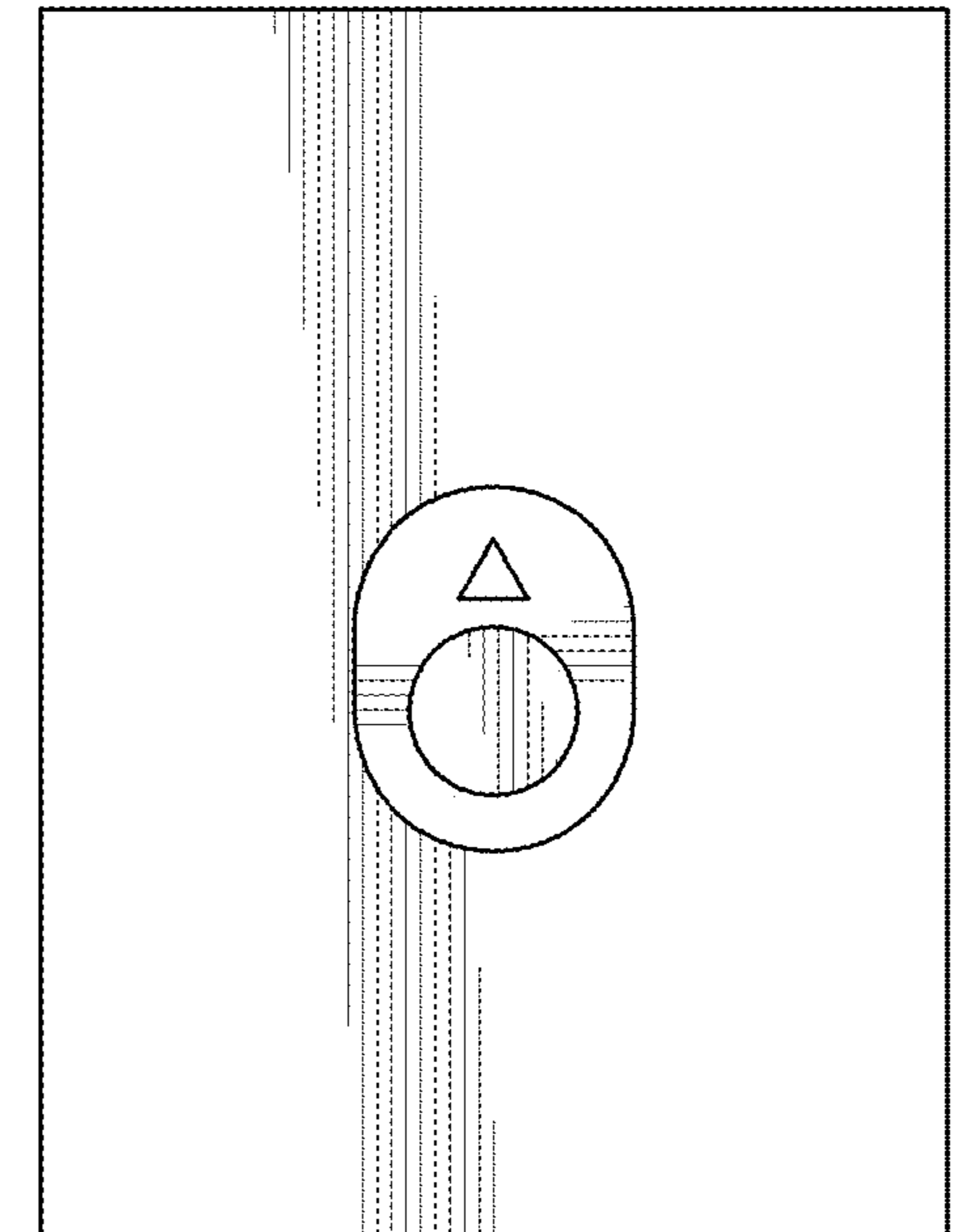


FIG. 102

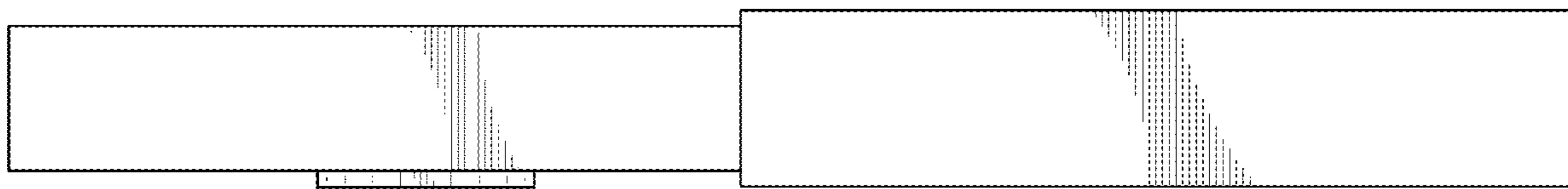


FIG. 103

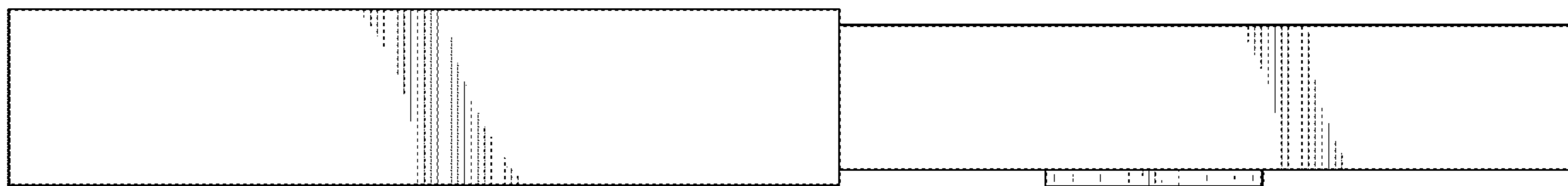


FIG. 104

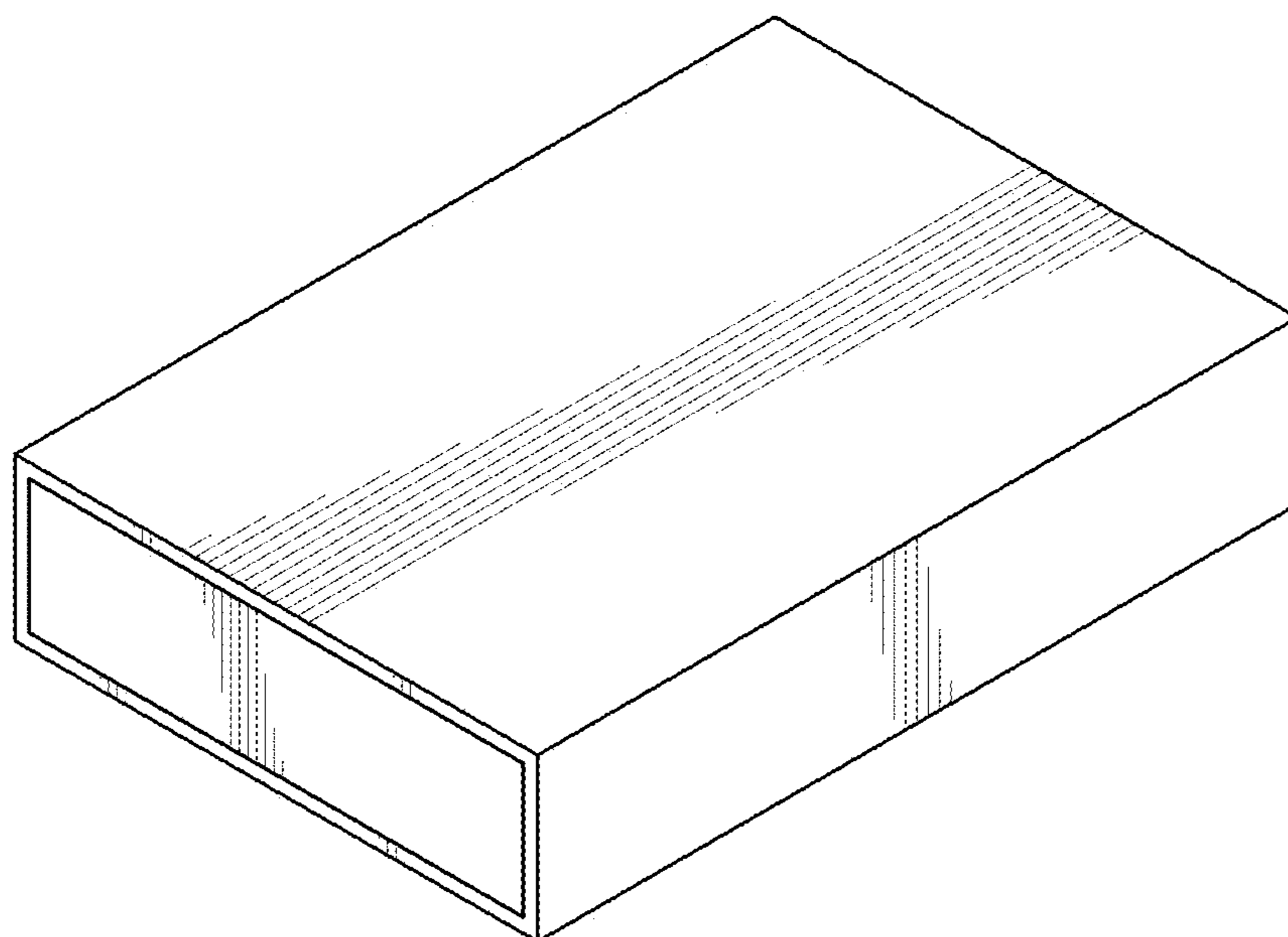


FIG. 105

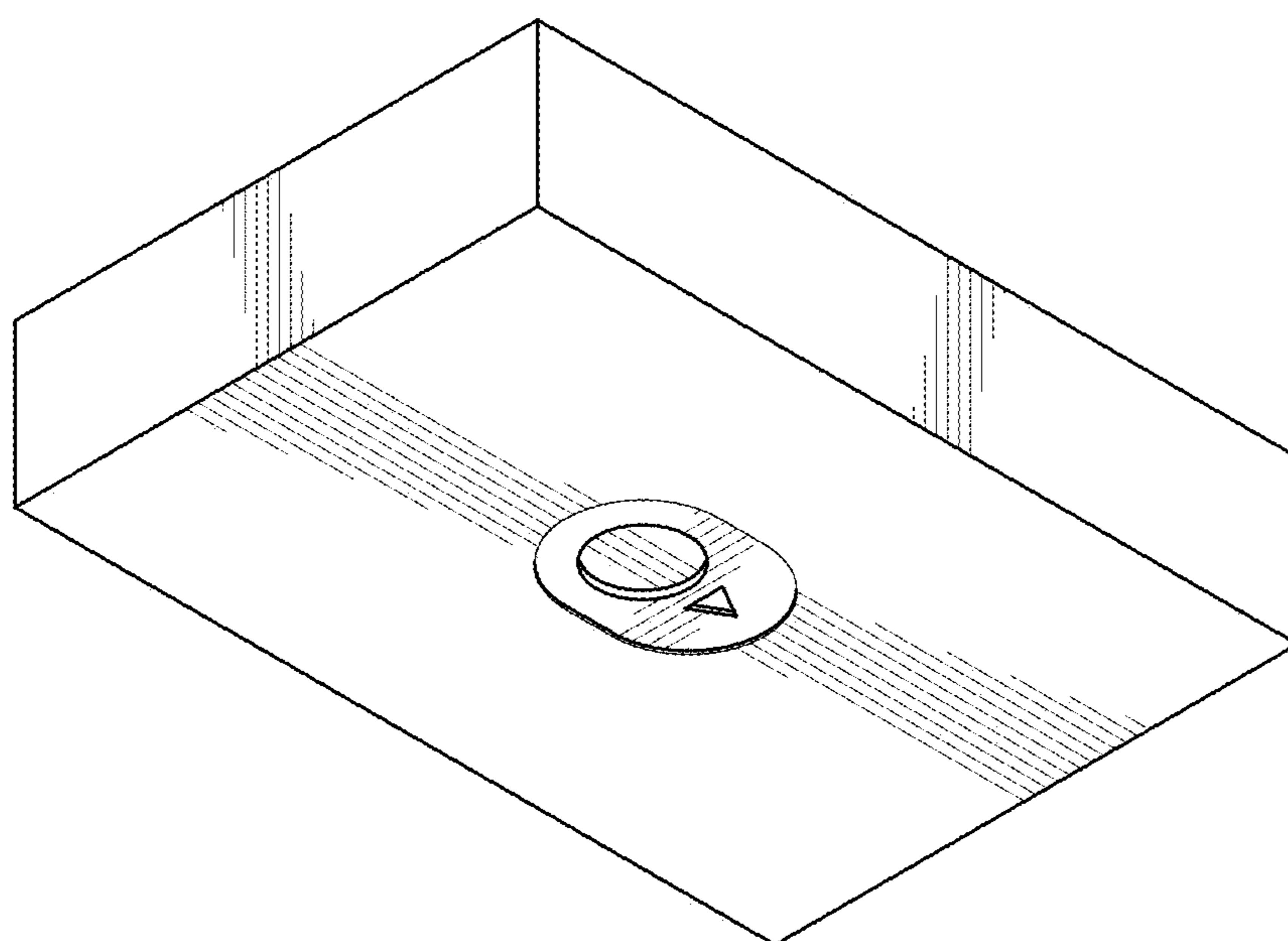


FIG. 106



FIG. 107

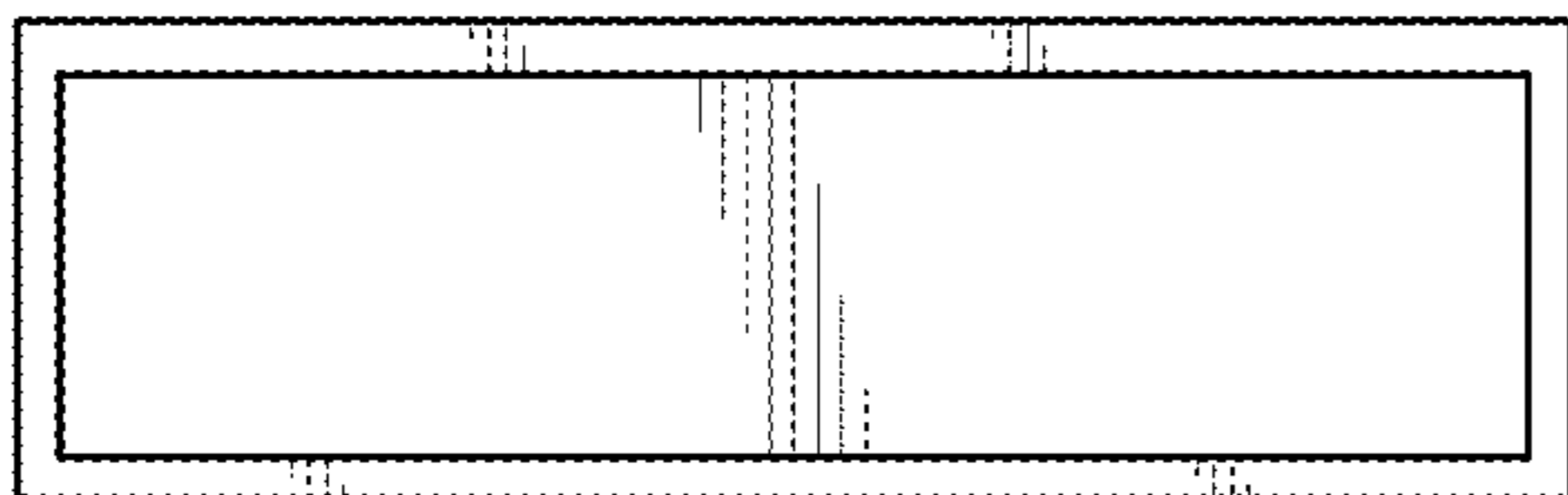


FIG. 108

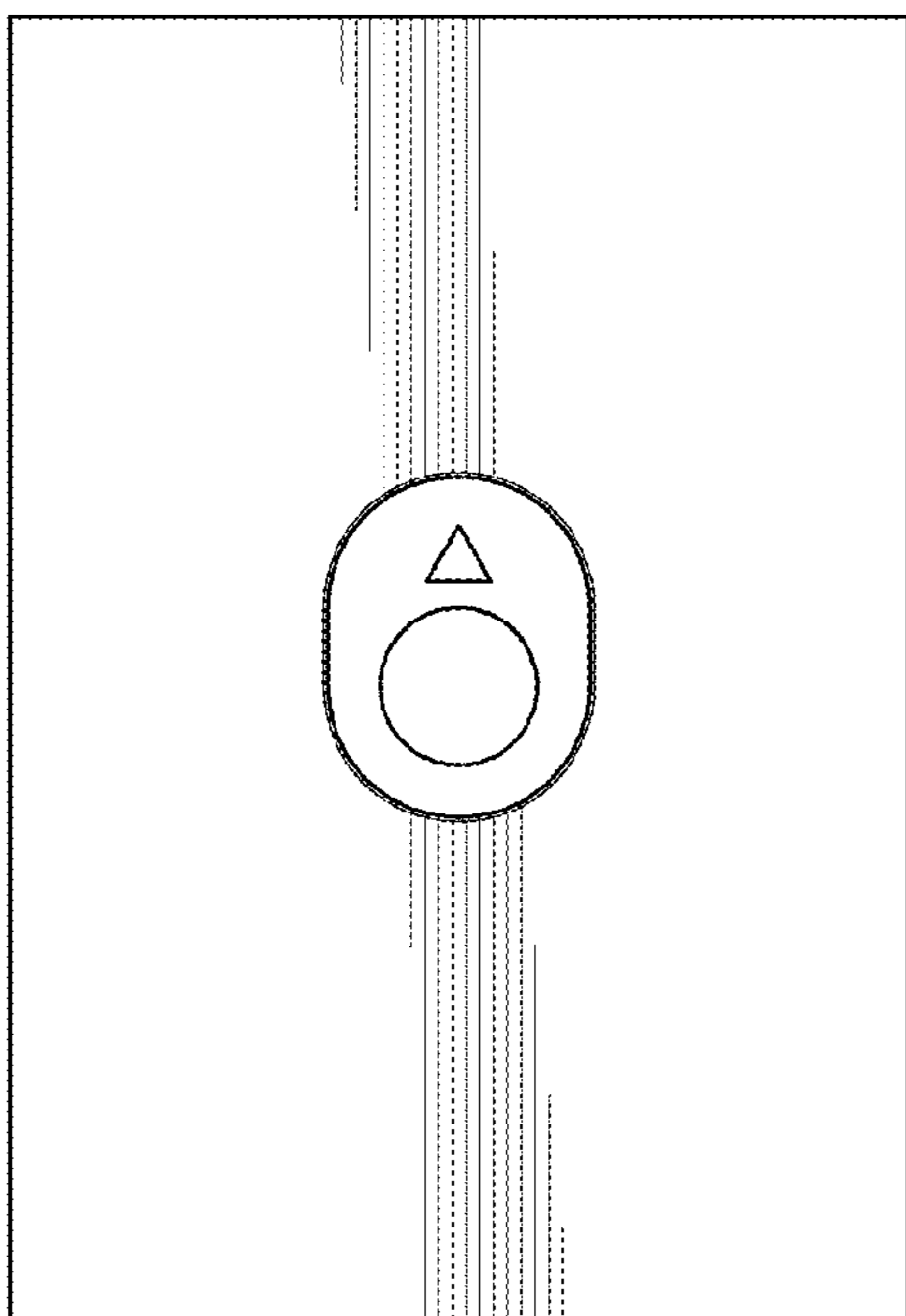


FIG. 109

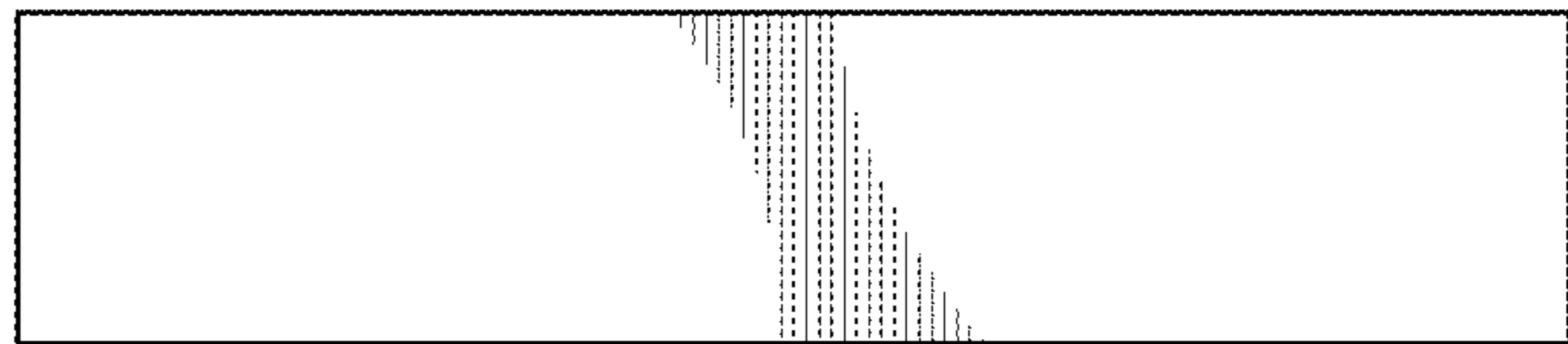


FIG. 110

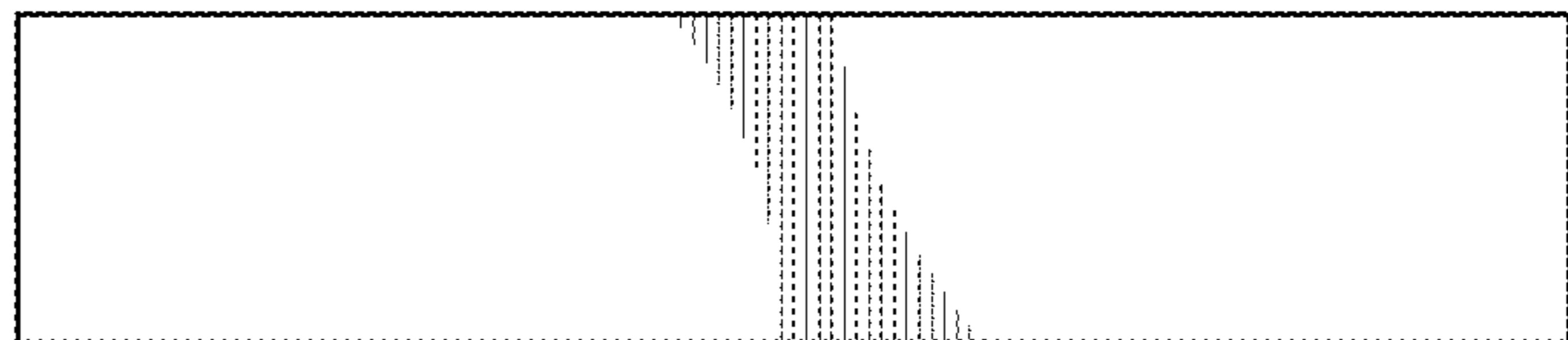


FIG. 111

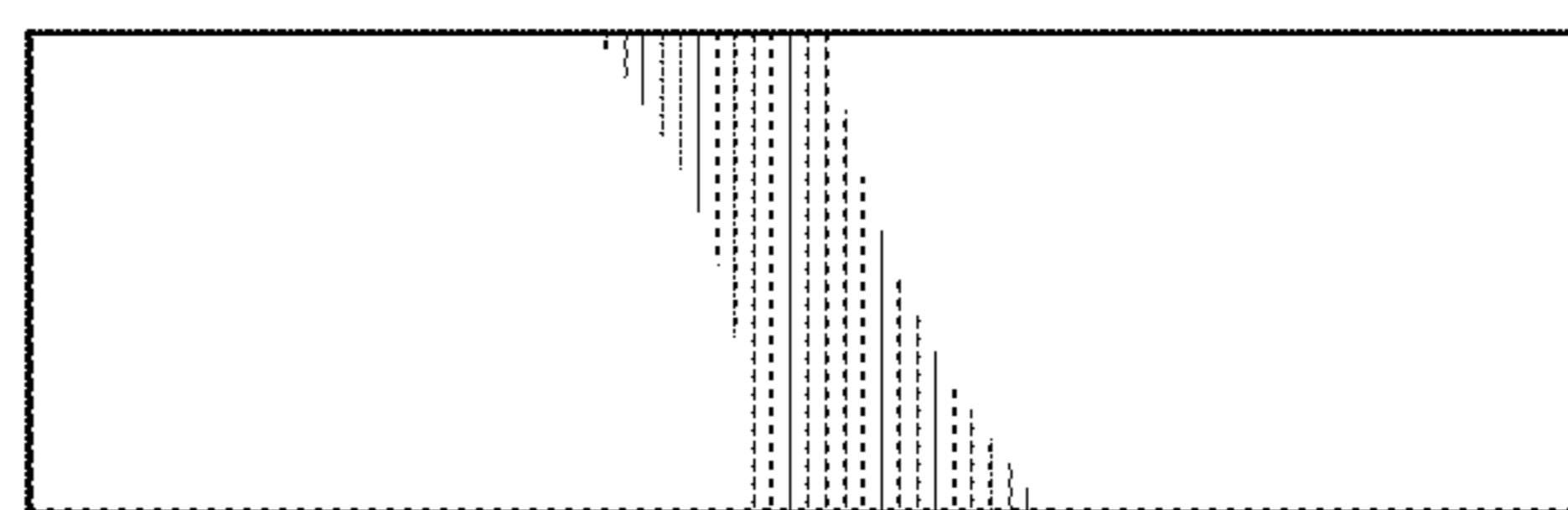


FIG. 112

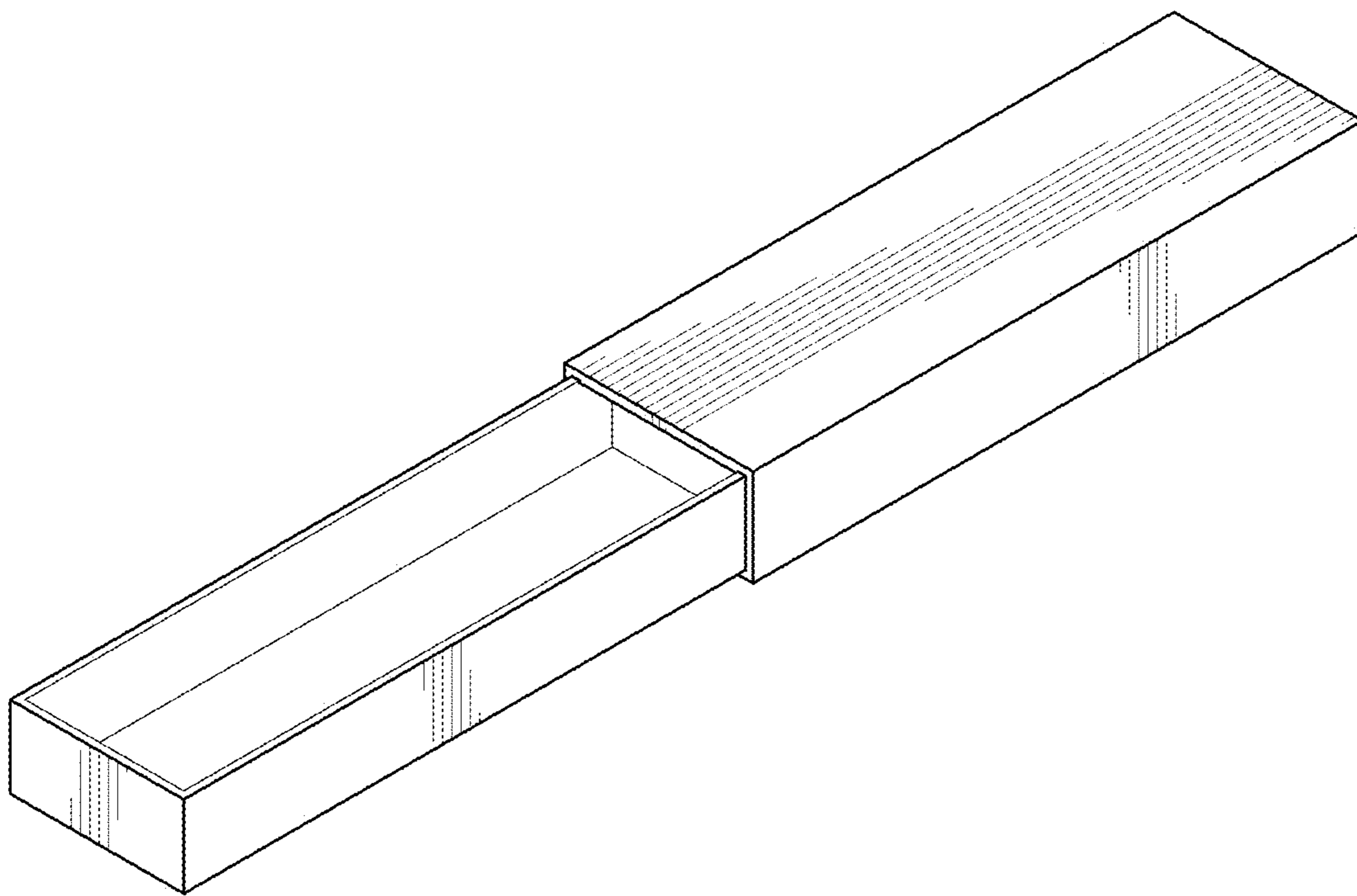


FIG. 113

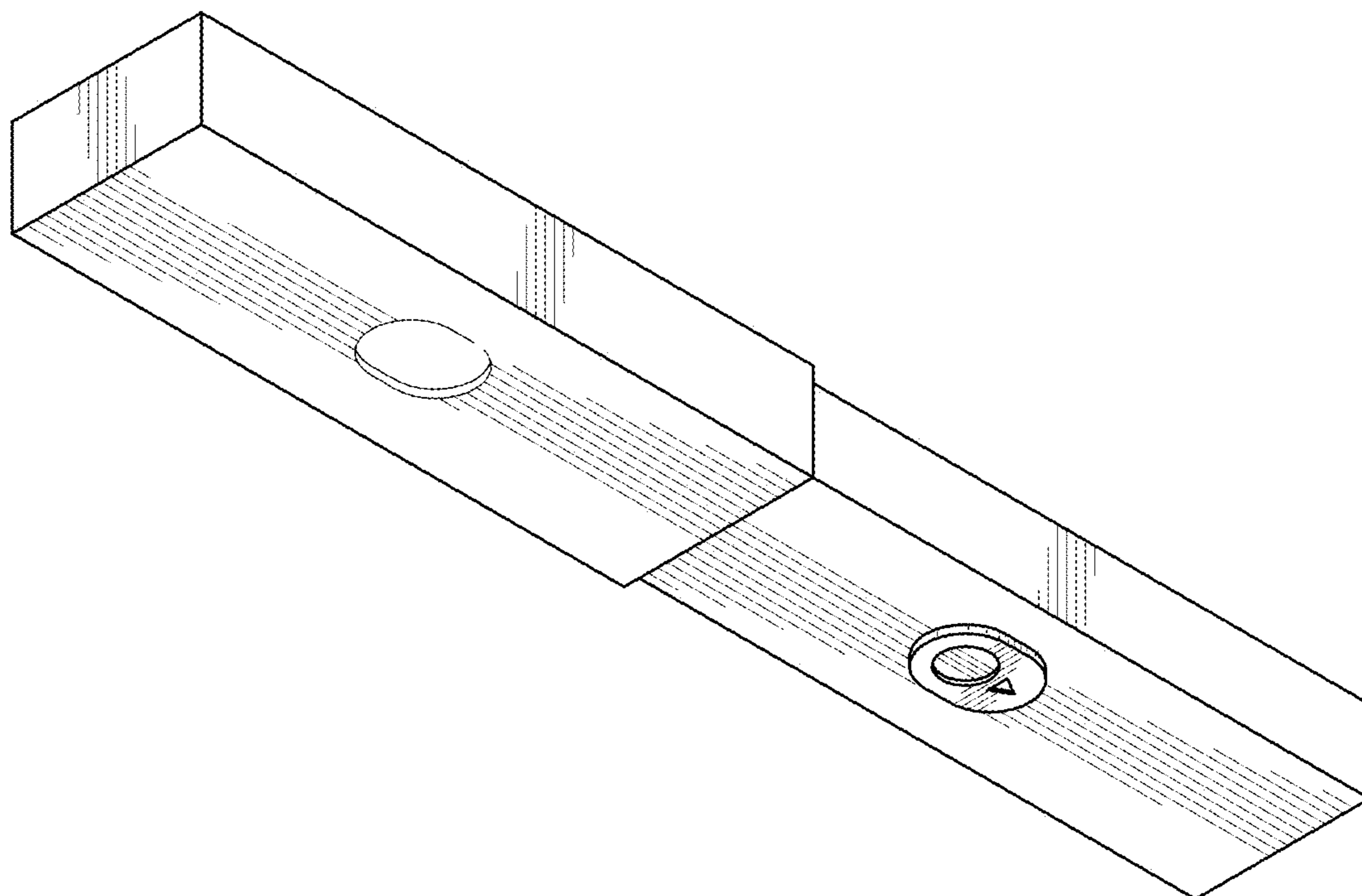


FIG. 114

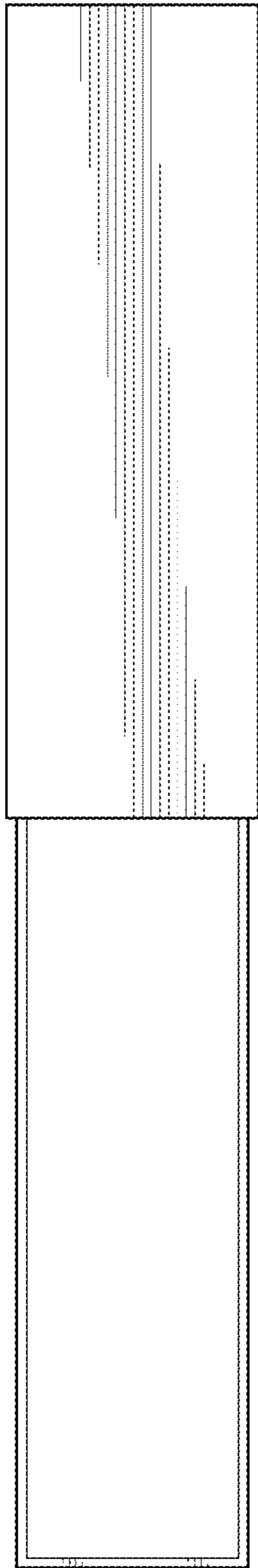


FIG. 115

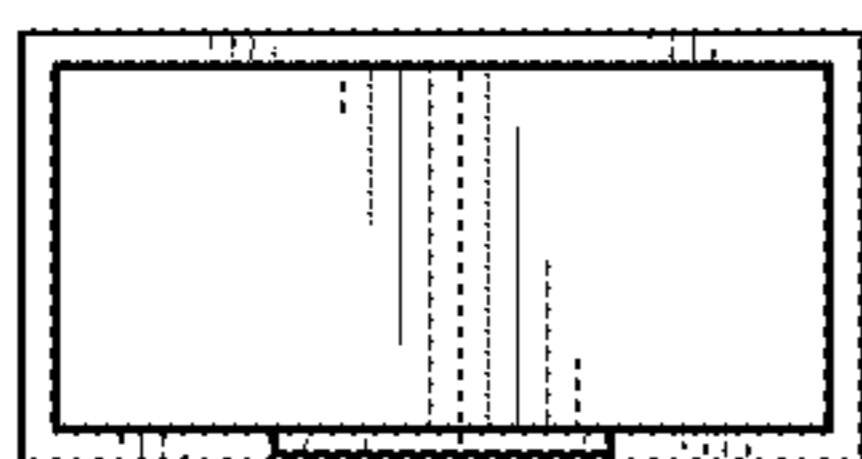


FIG. 116

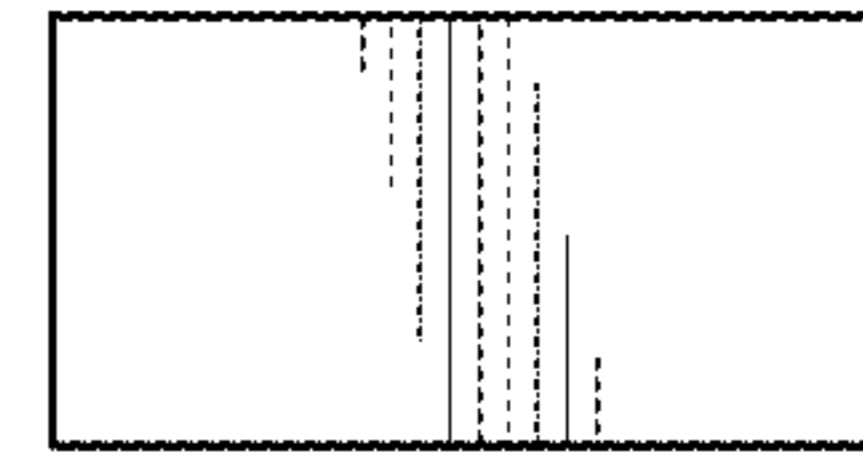


FIG. 117

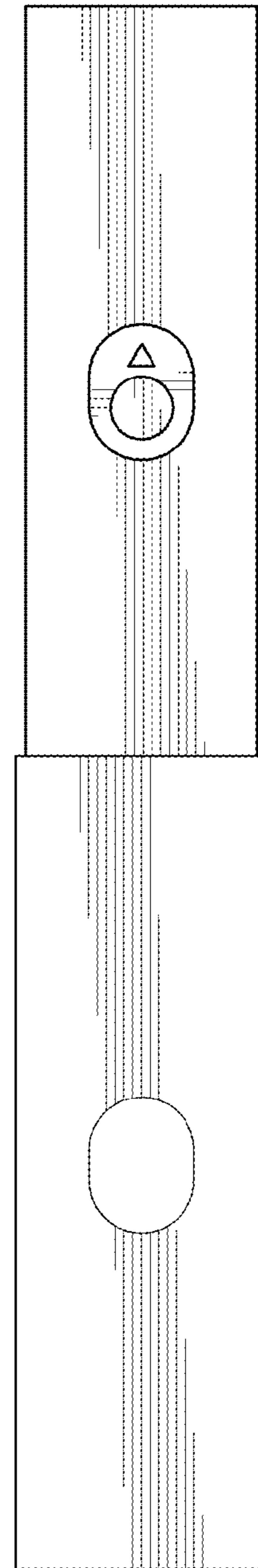


FIG. 118

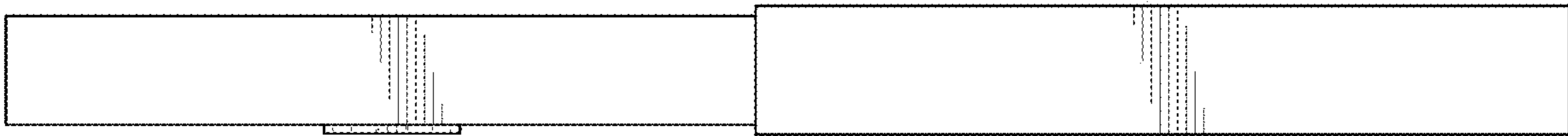


FIG. 119

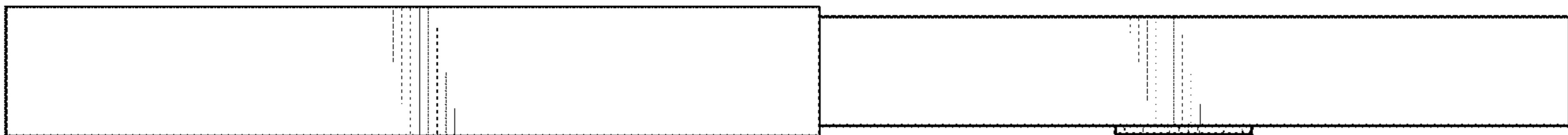


FIG. 120

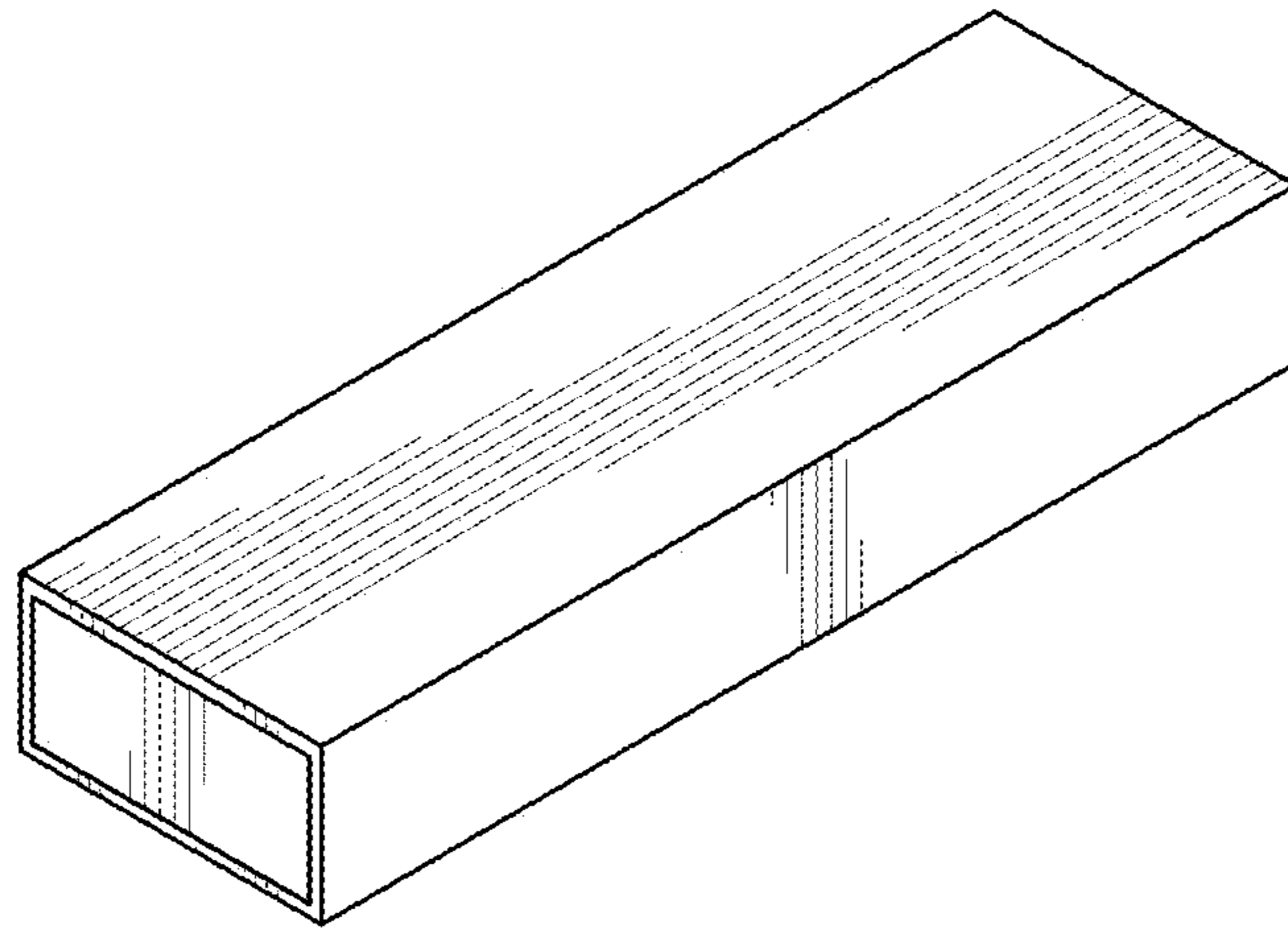


FIG. 121

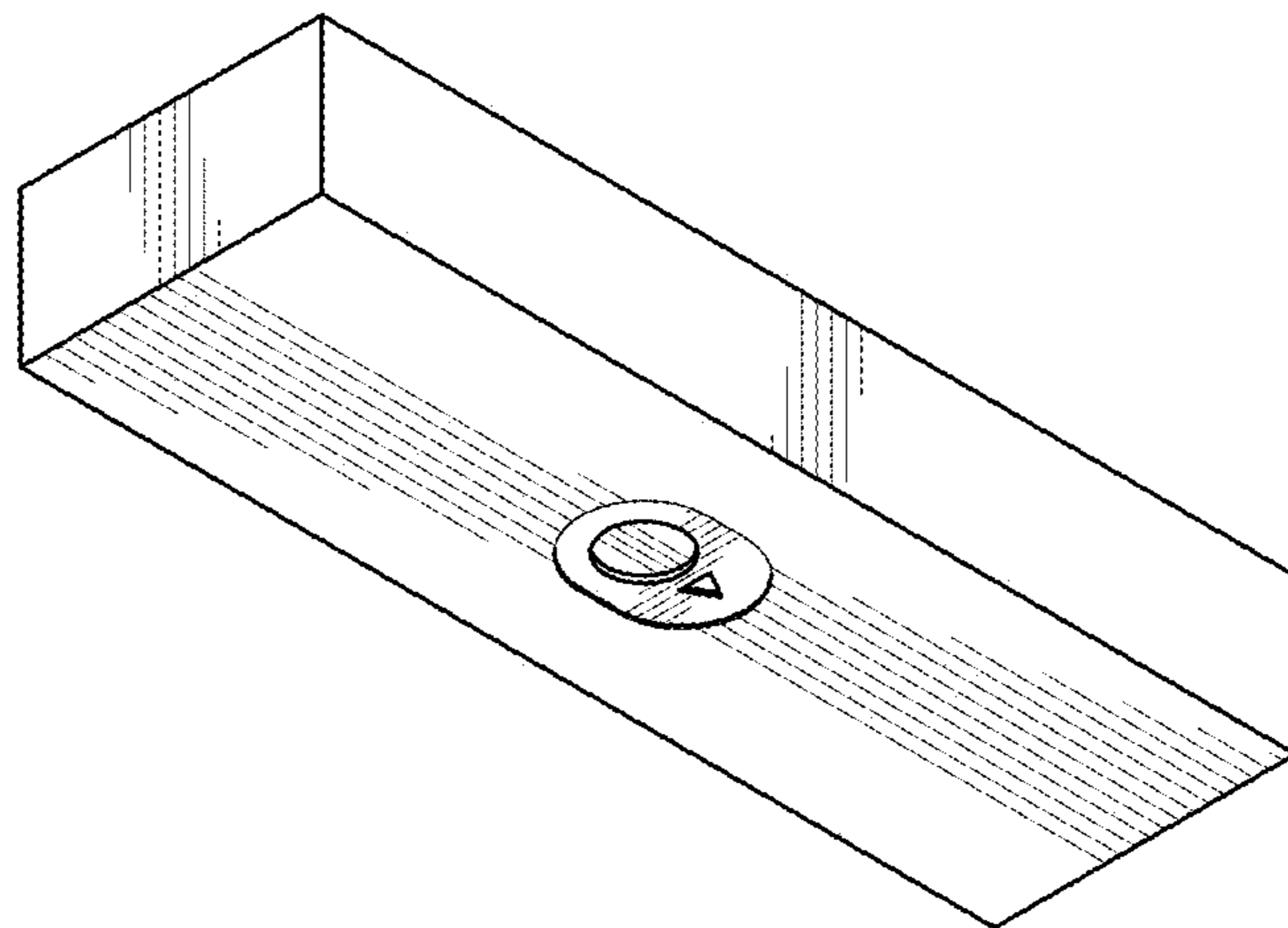


FIG. 122

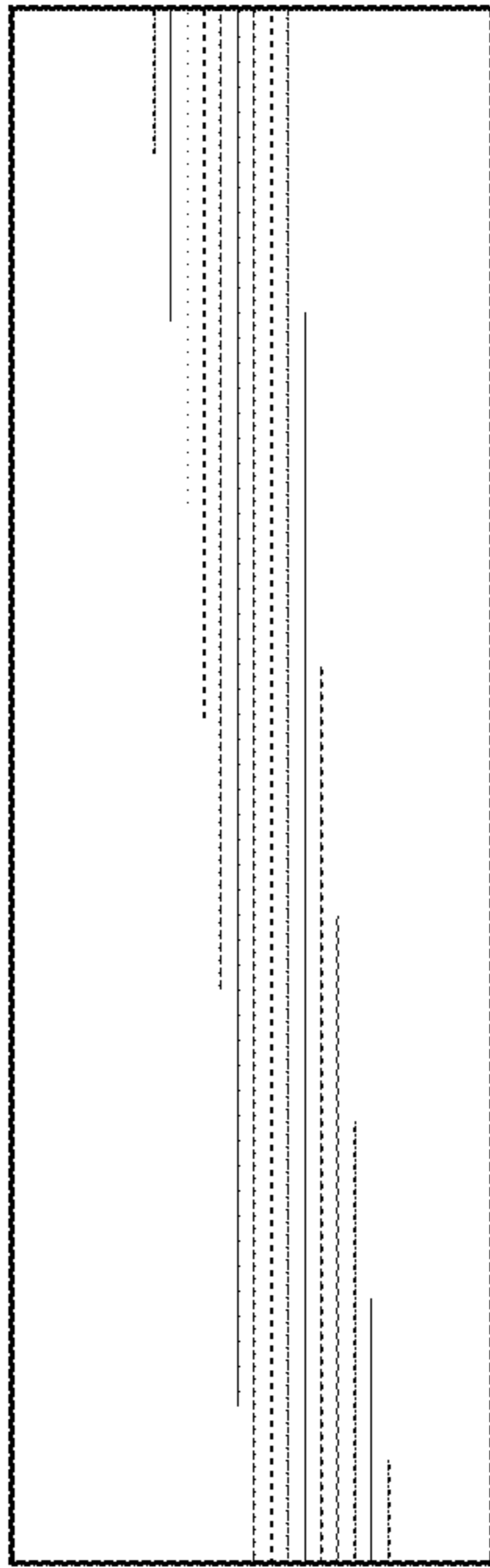


FIG. 123

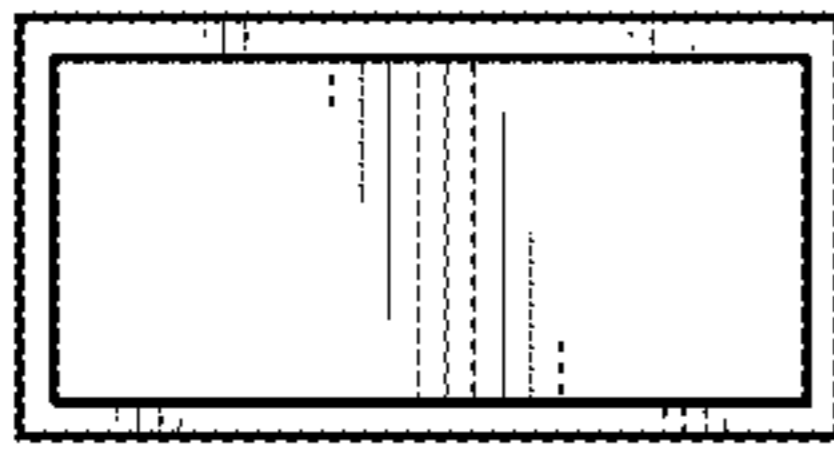


FIG. 124

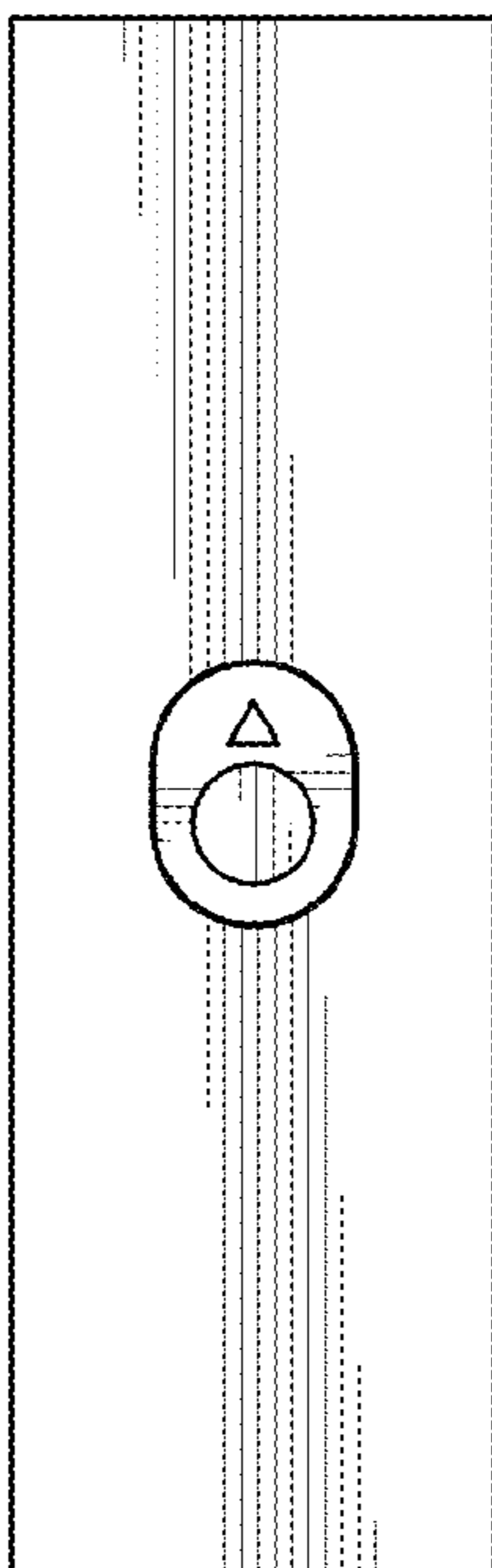


FIG. 125

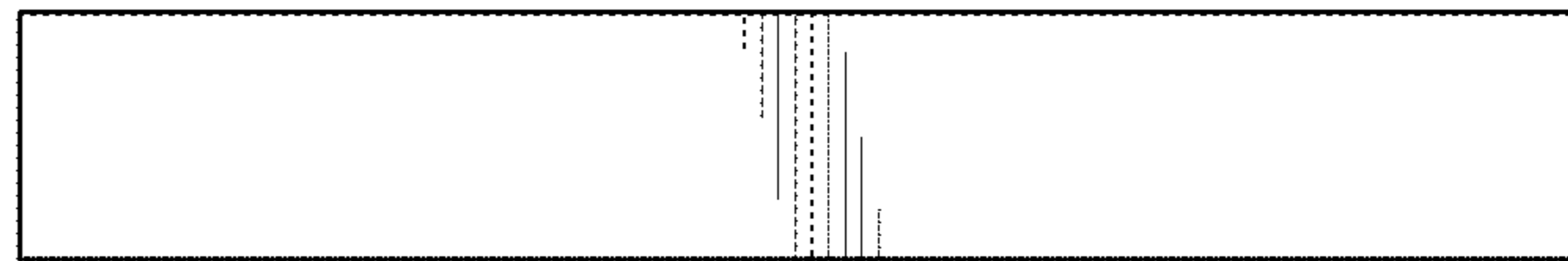


FIG. 126

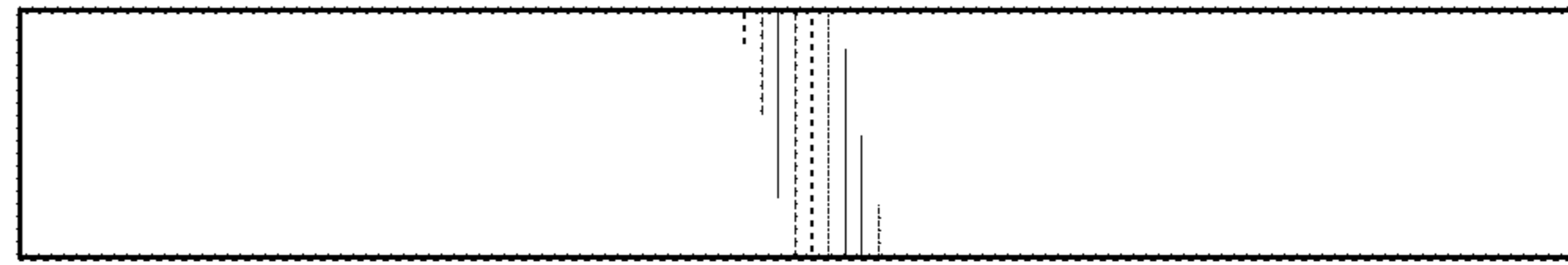


FIG. 127

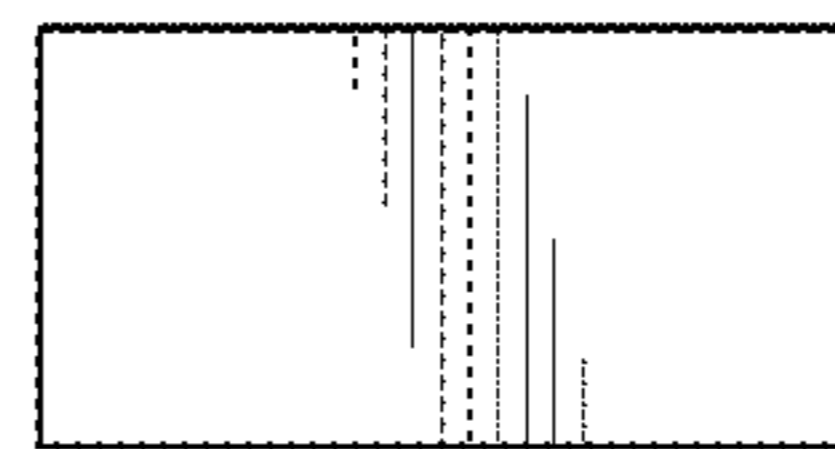


FIG. 128

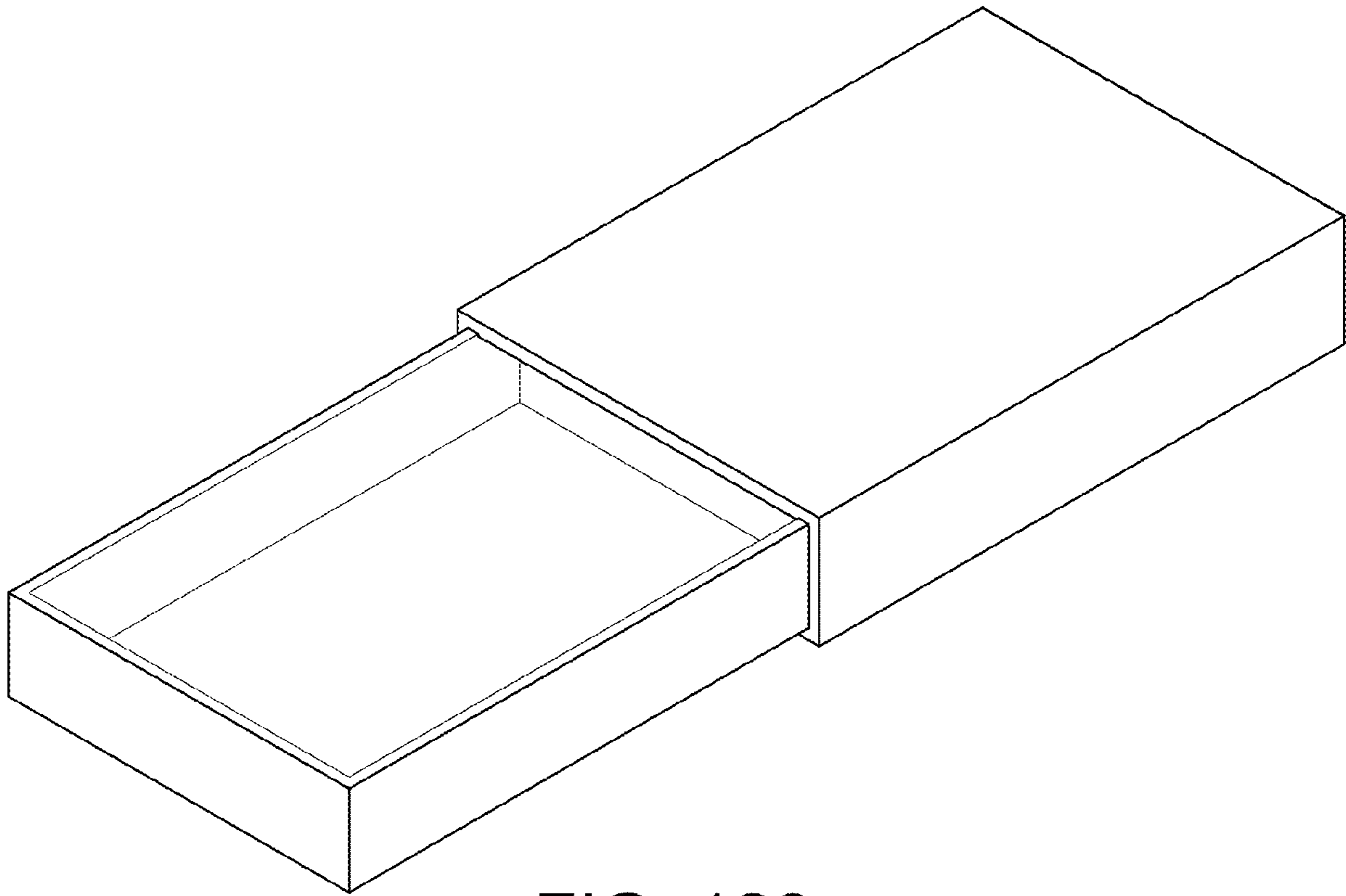


FIG. 129

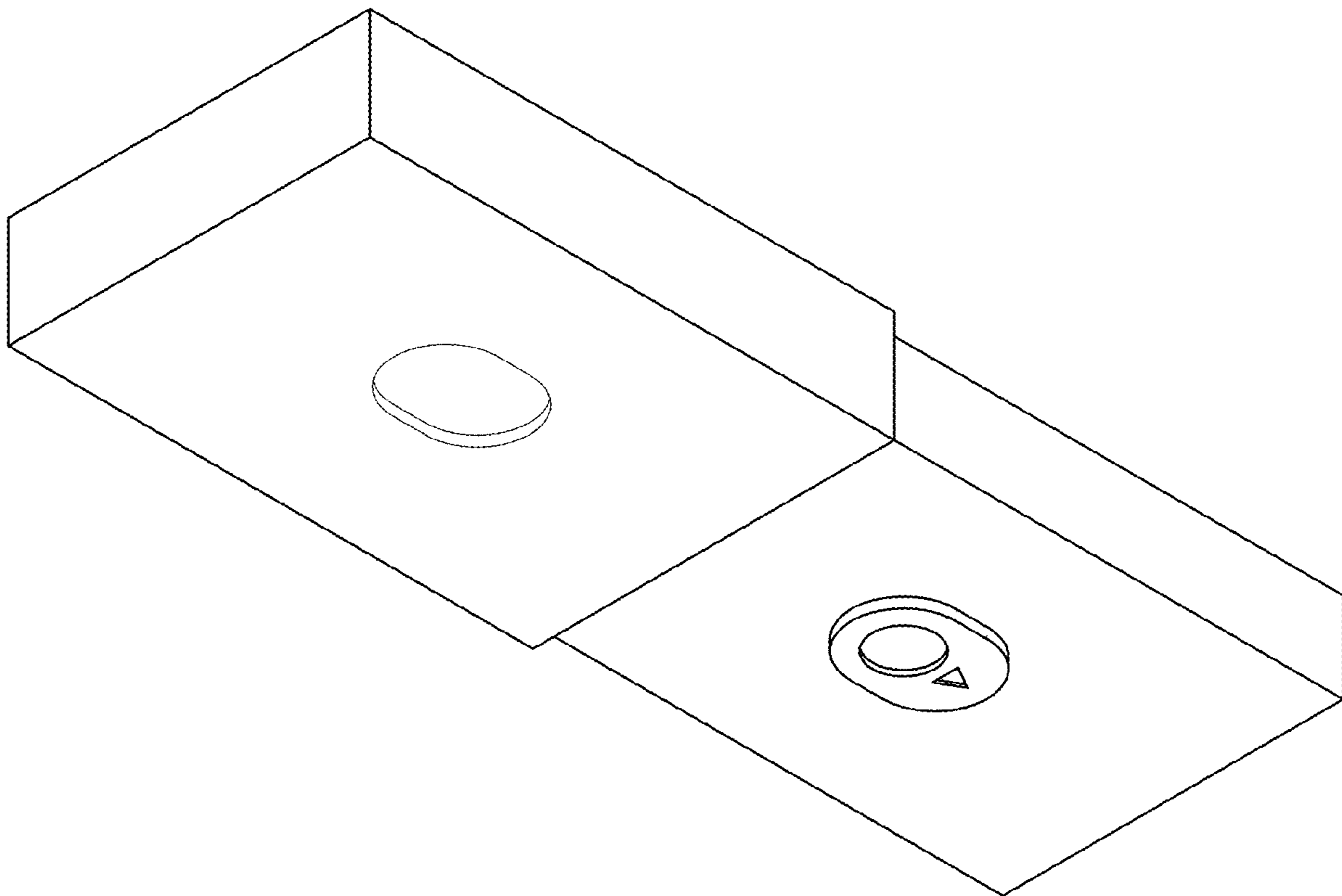


FIG. 130

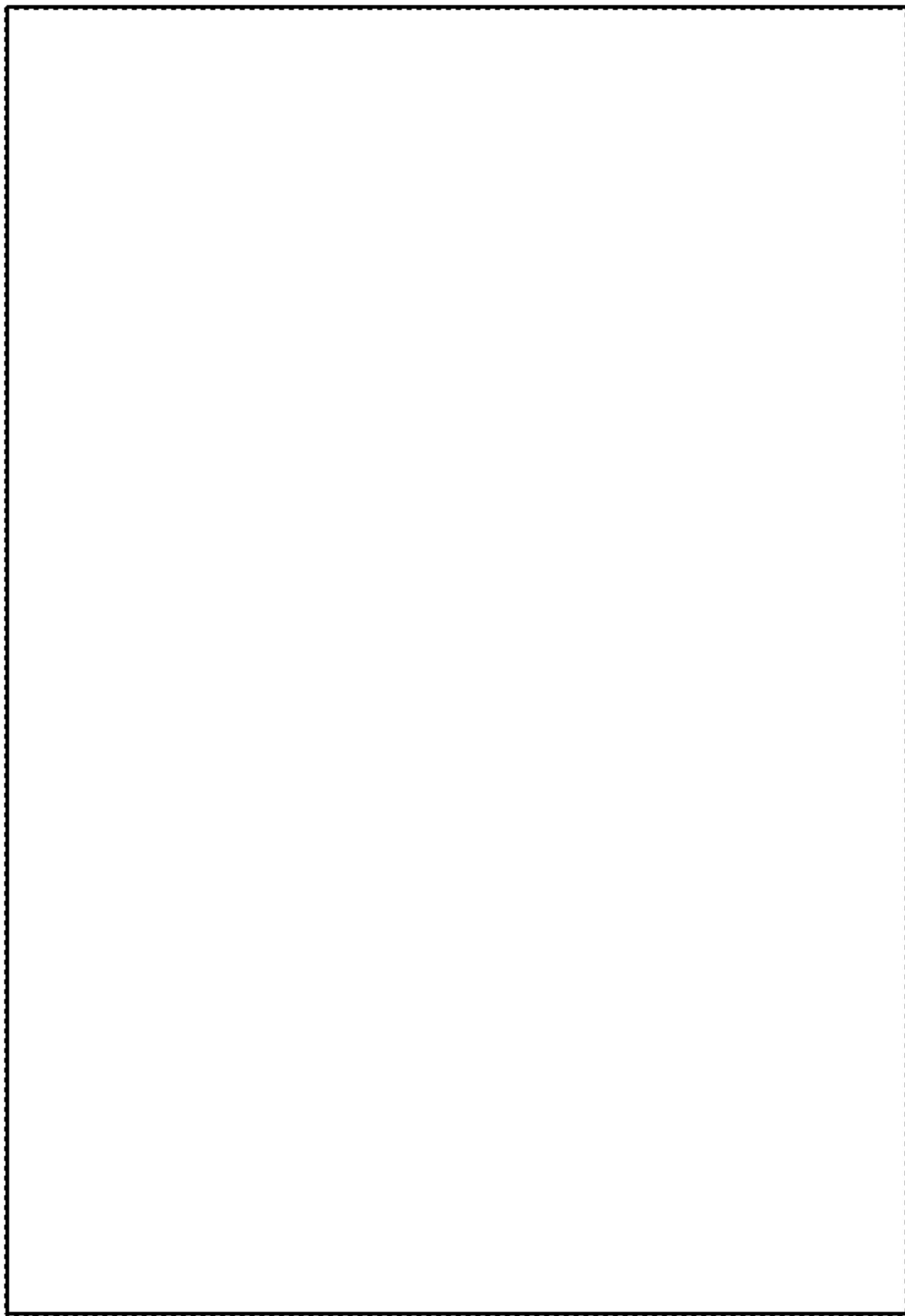


FIG. 131

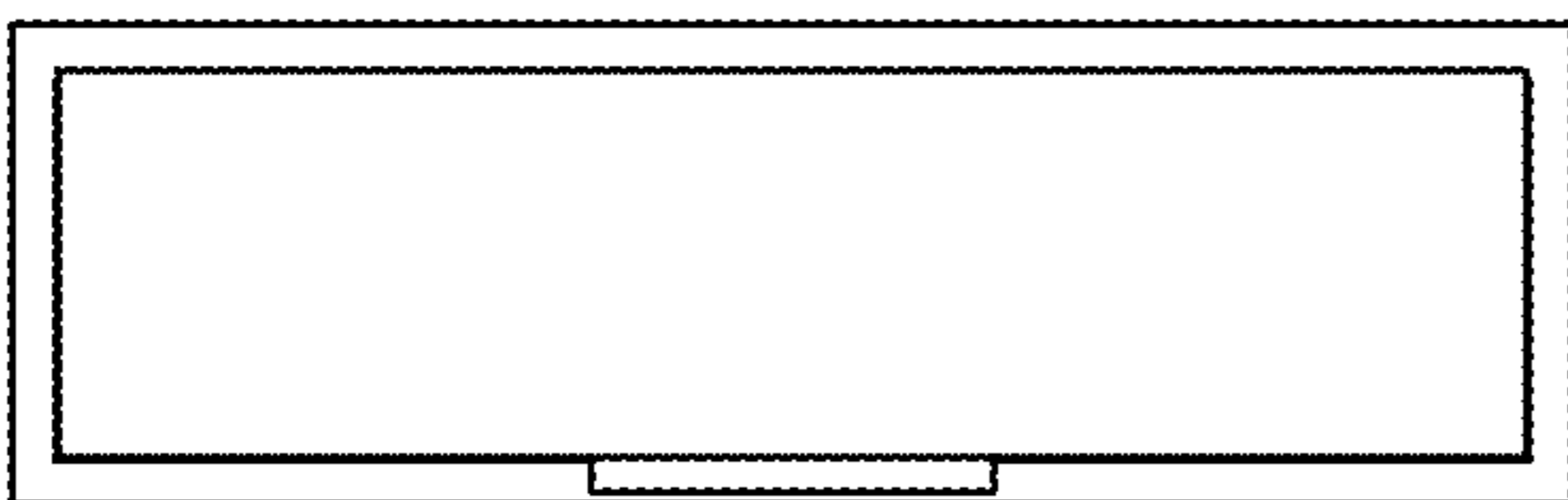


FIG. 132



FIG. 133

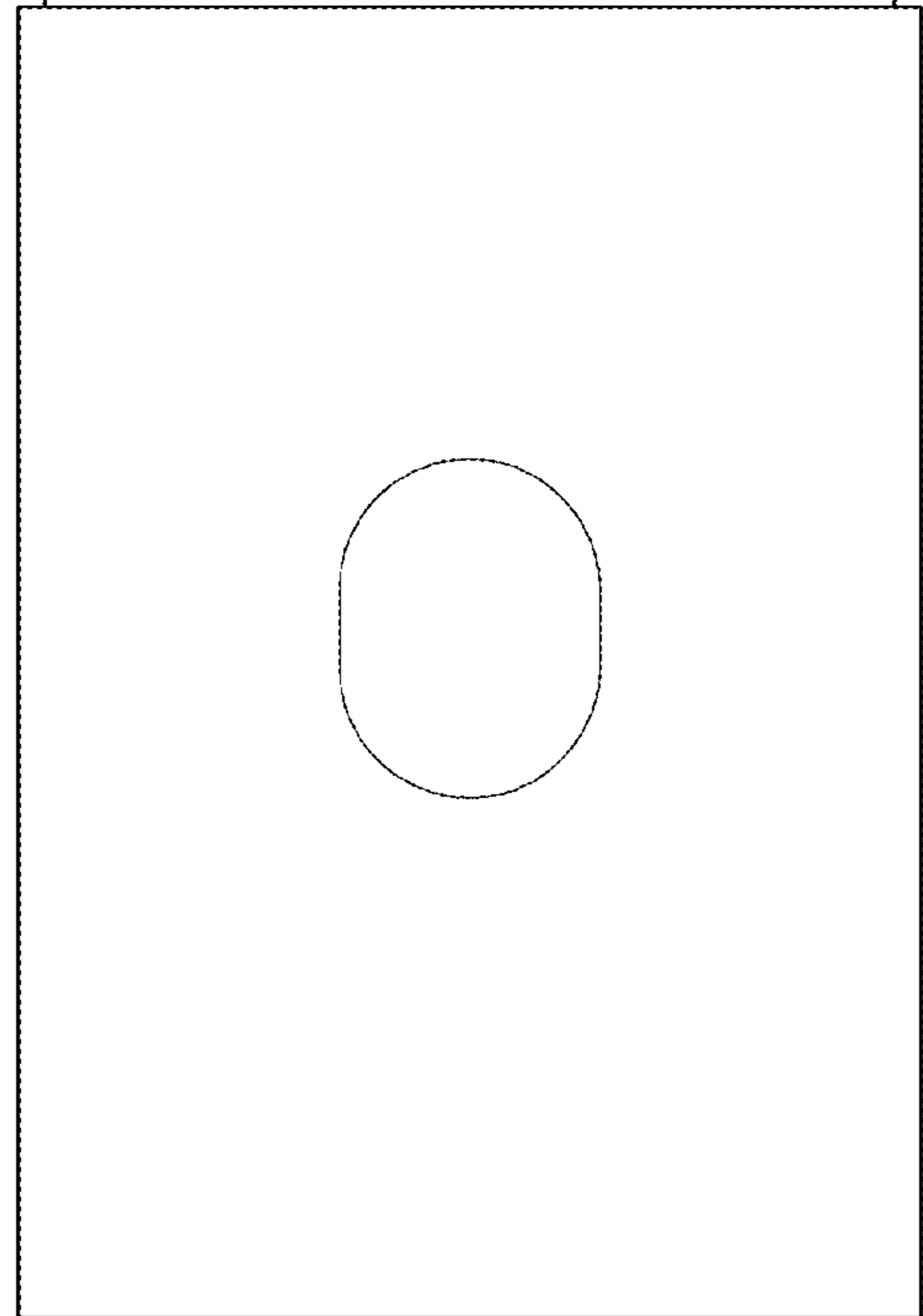
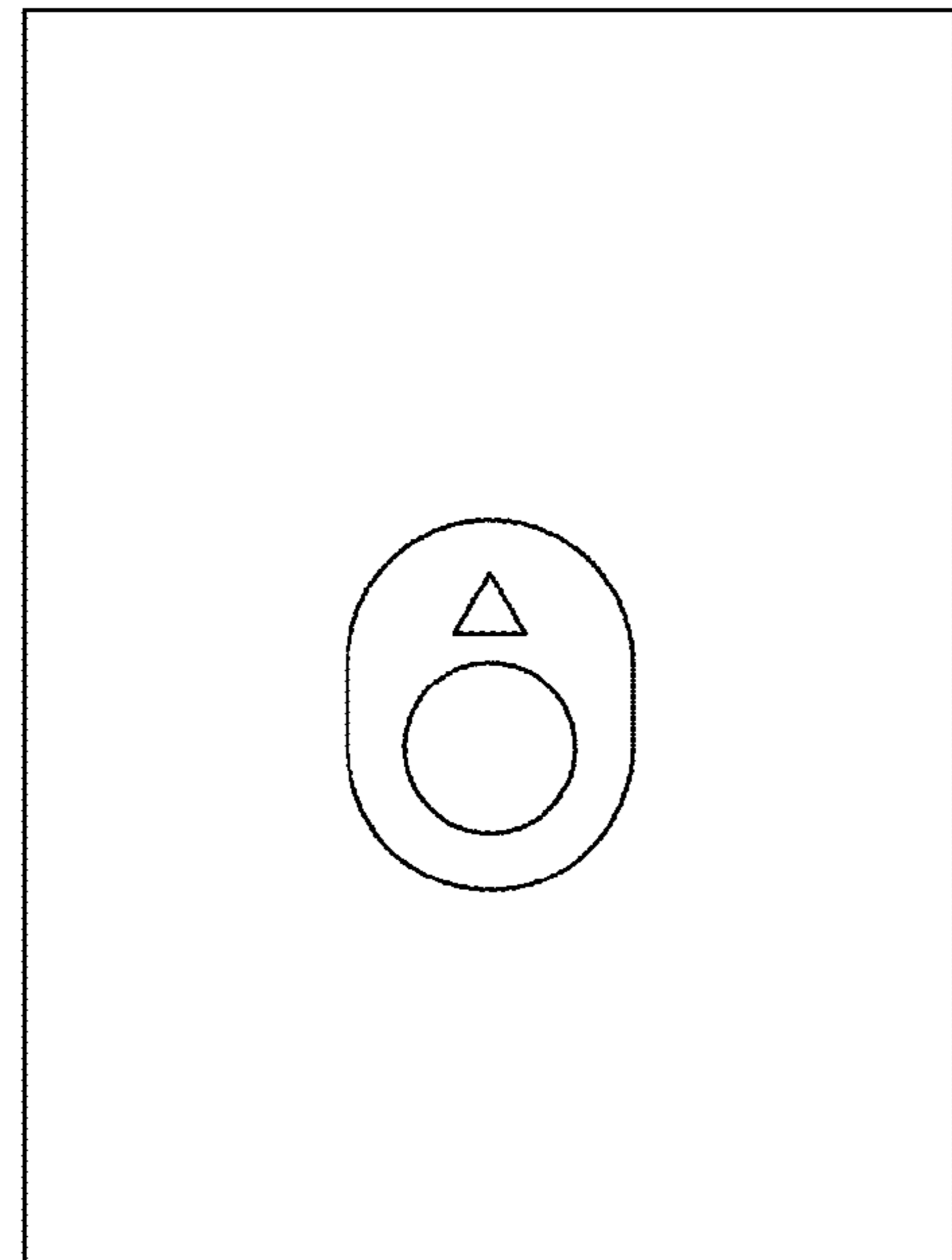


FIG. 134

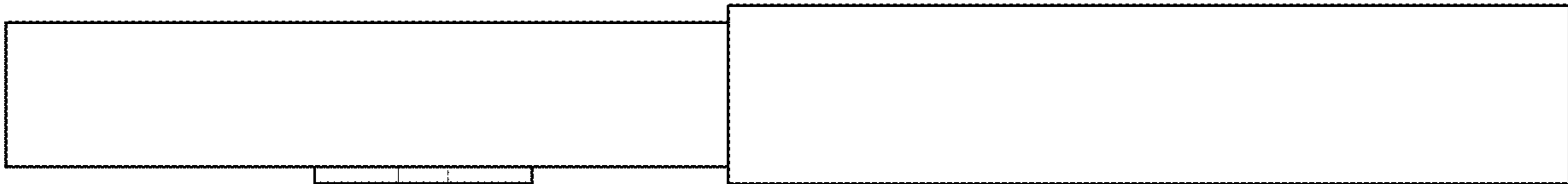


FIG. 135

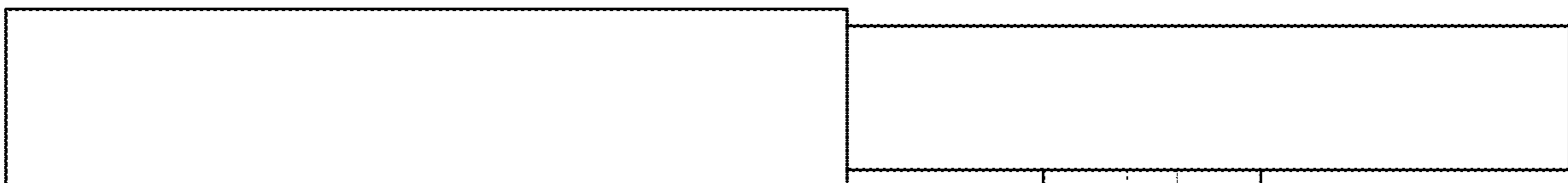


FIG. 136

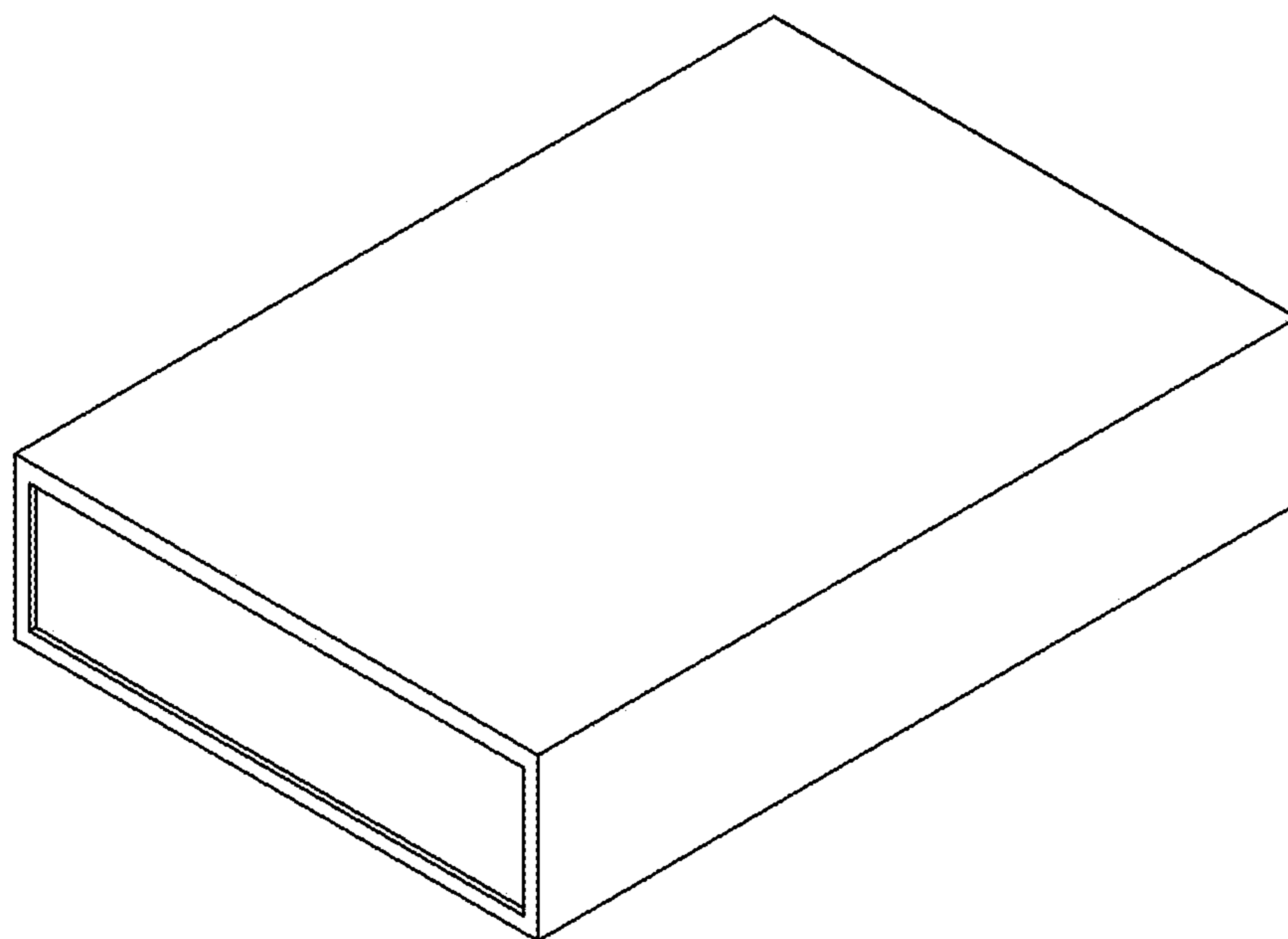


FIG. 137

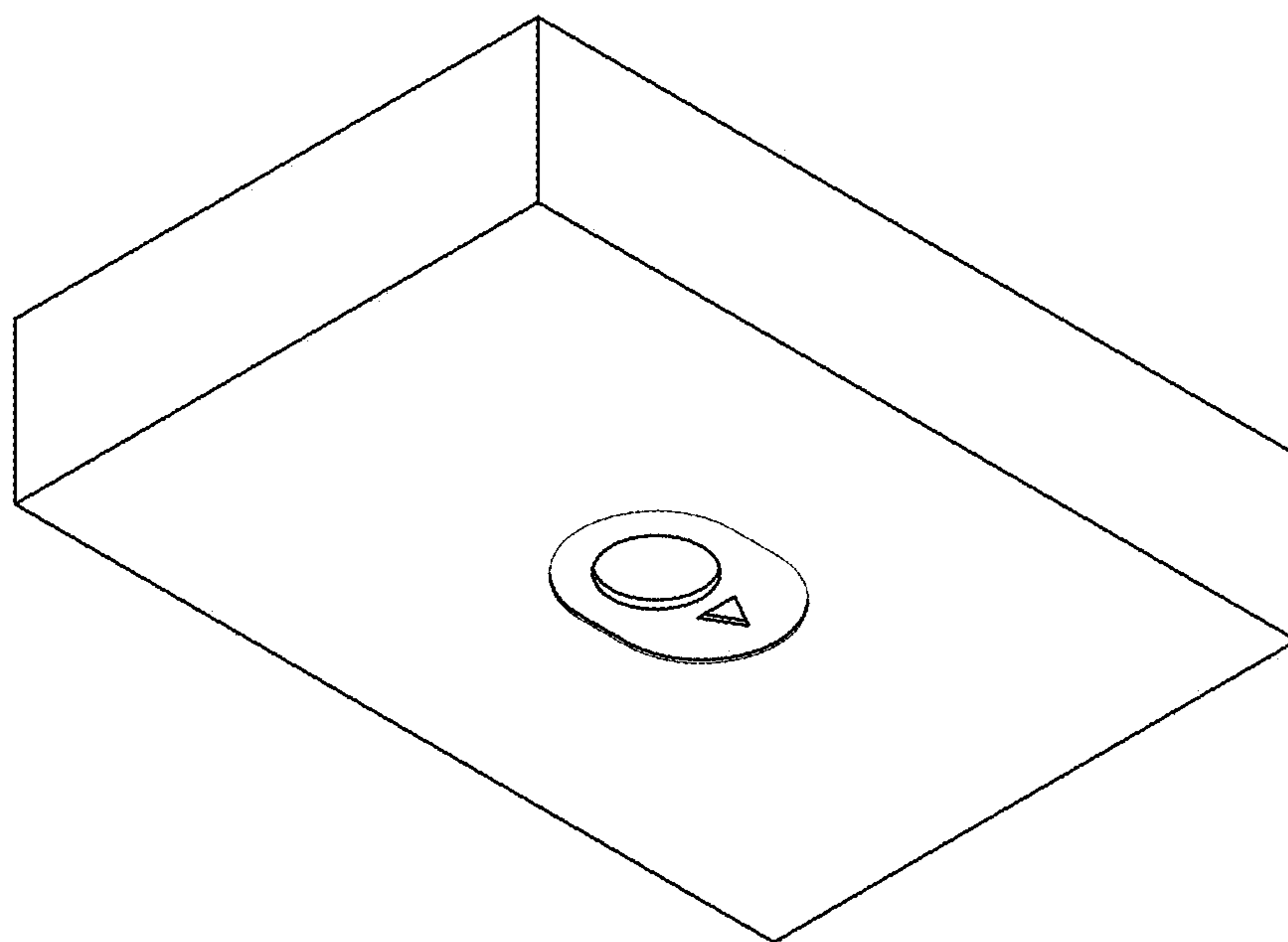


FIG. 138

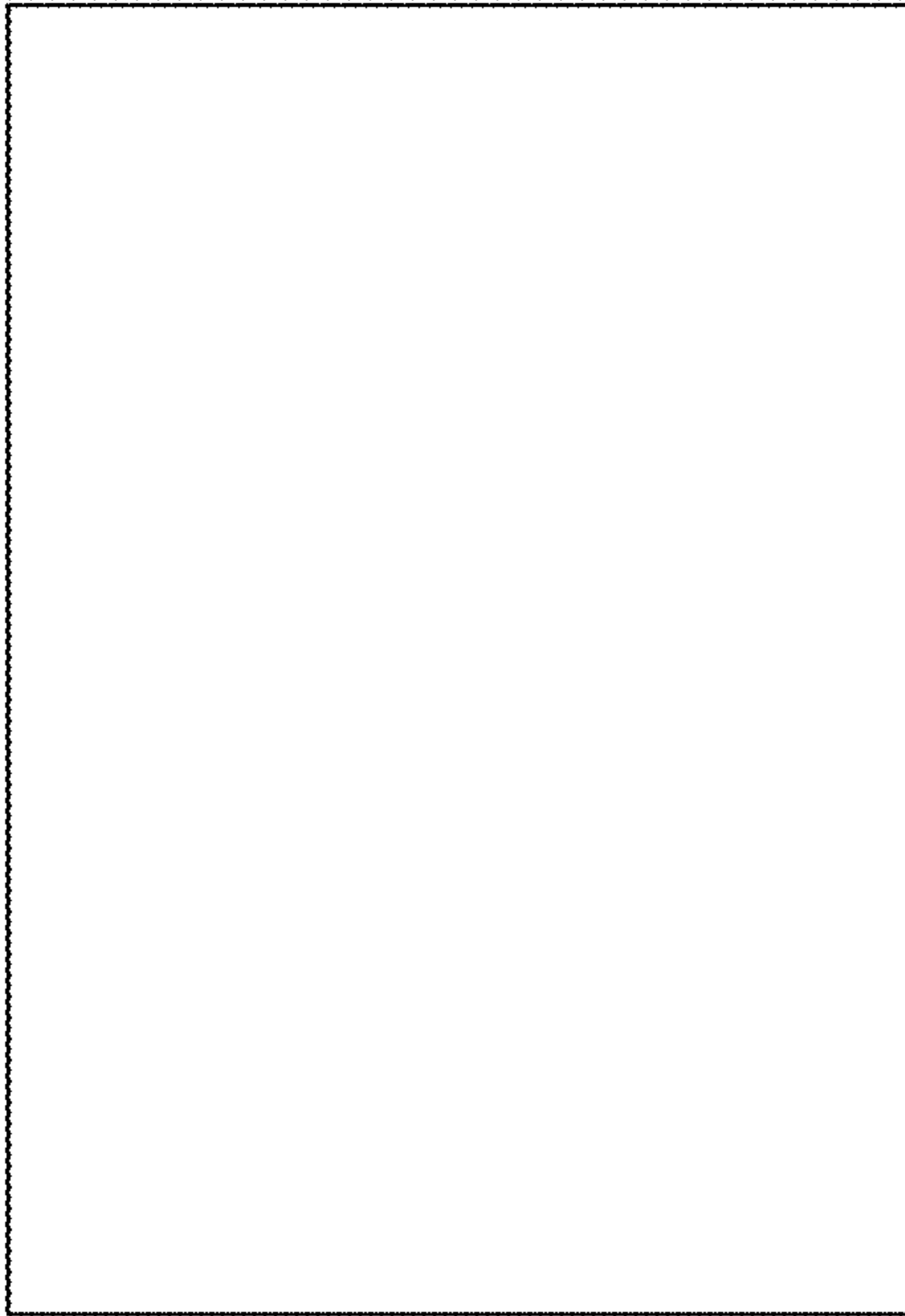


FIG. 139



FIG. 142

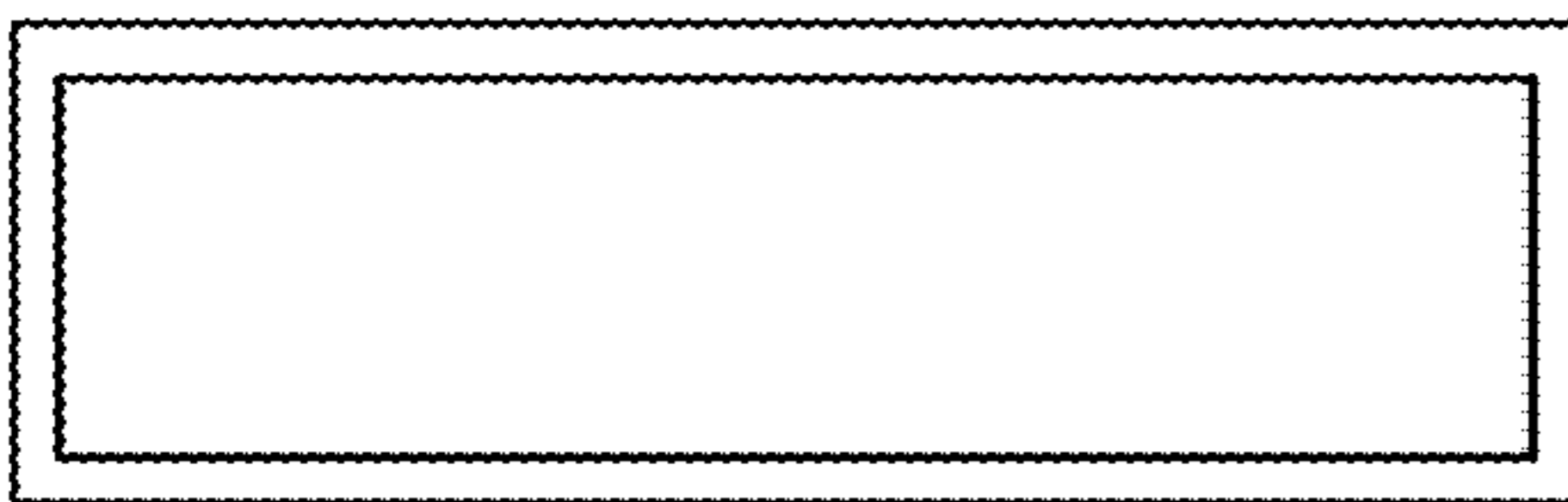


FIG. 140



FIG. 143

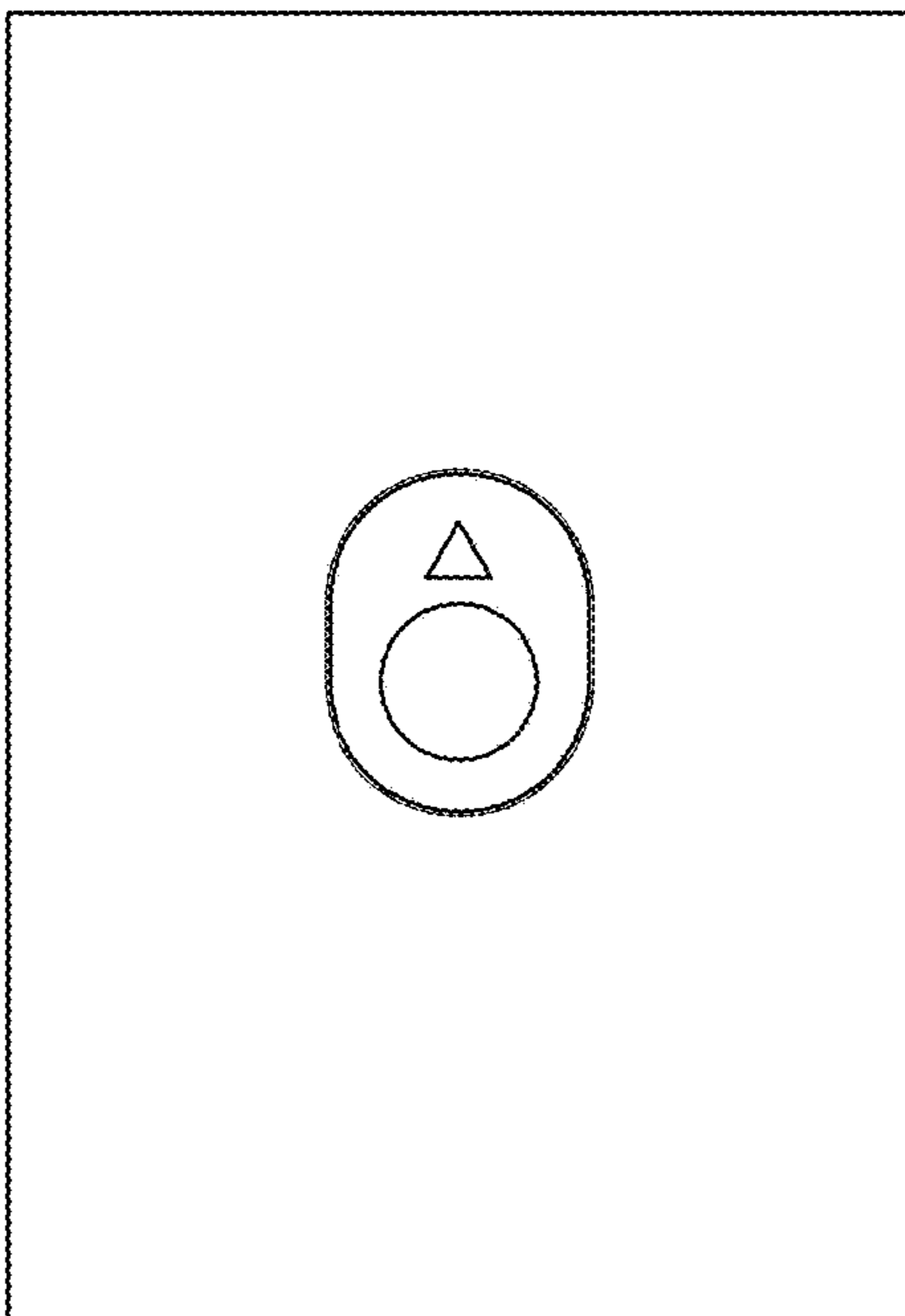


FIG. 141

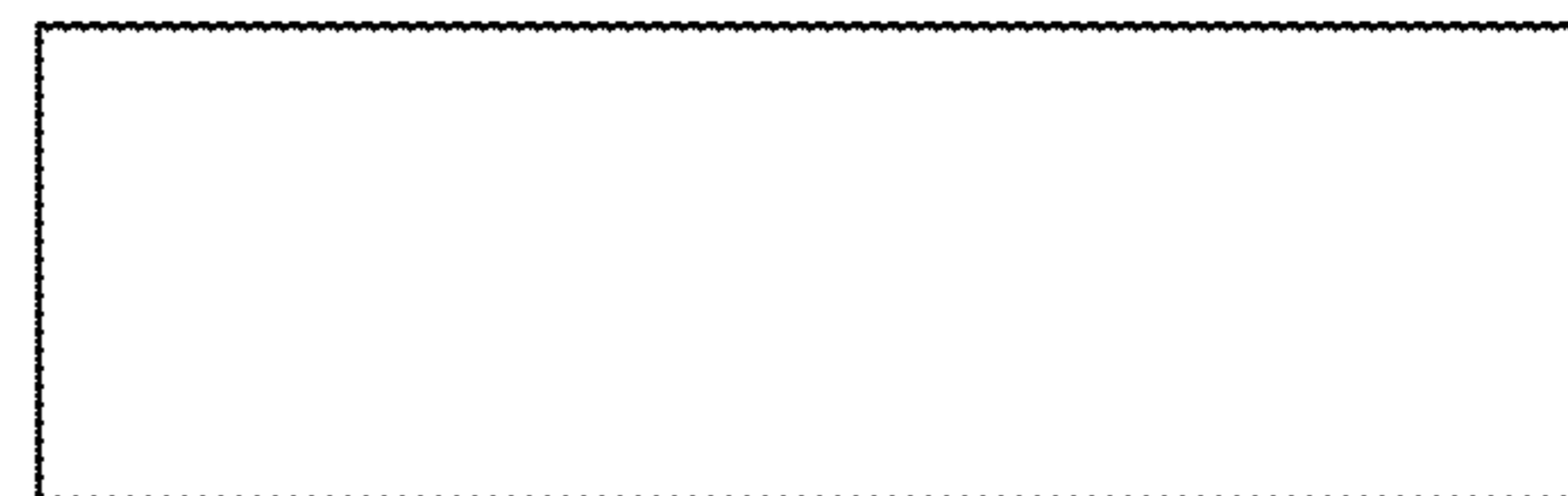


FIG. 144

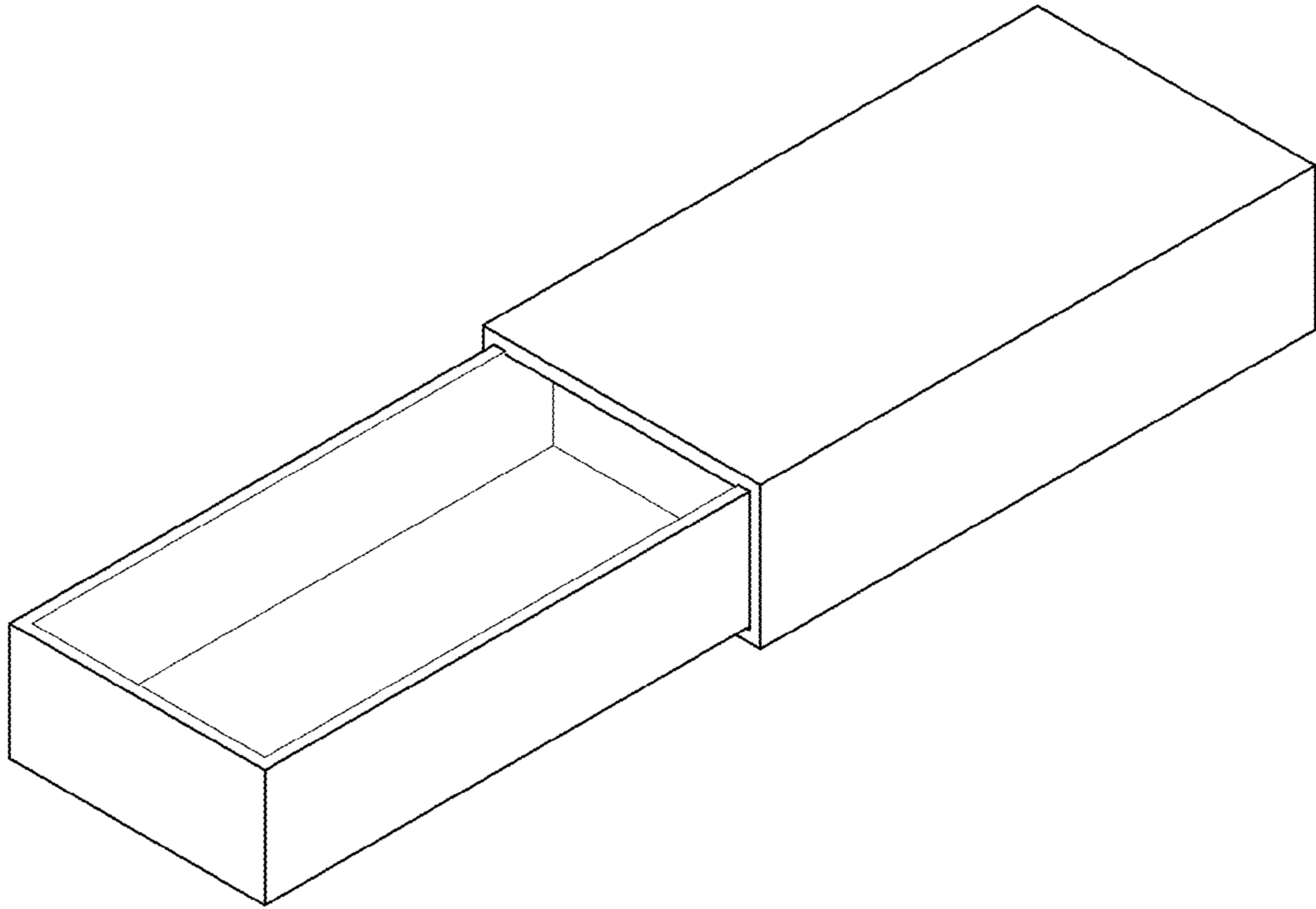


FIG. 145

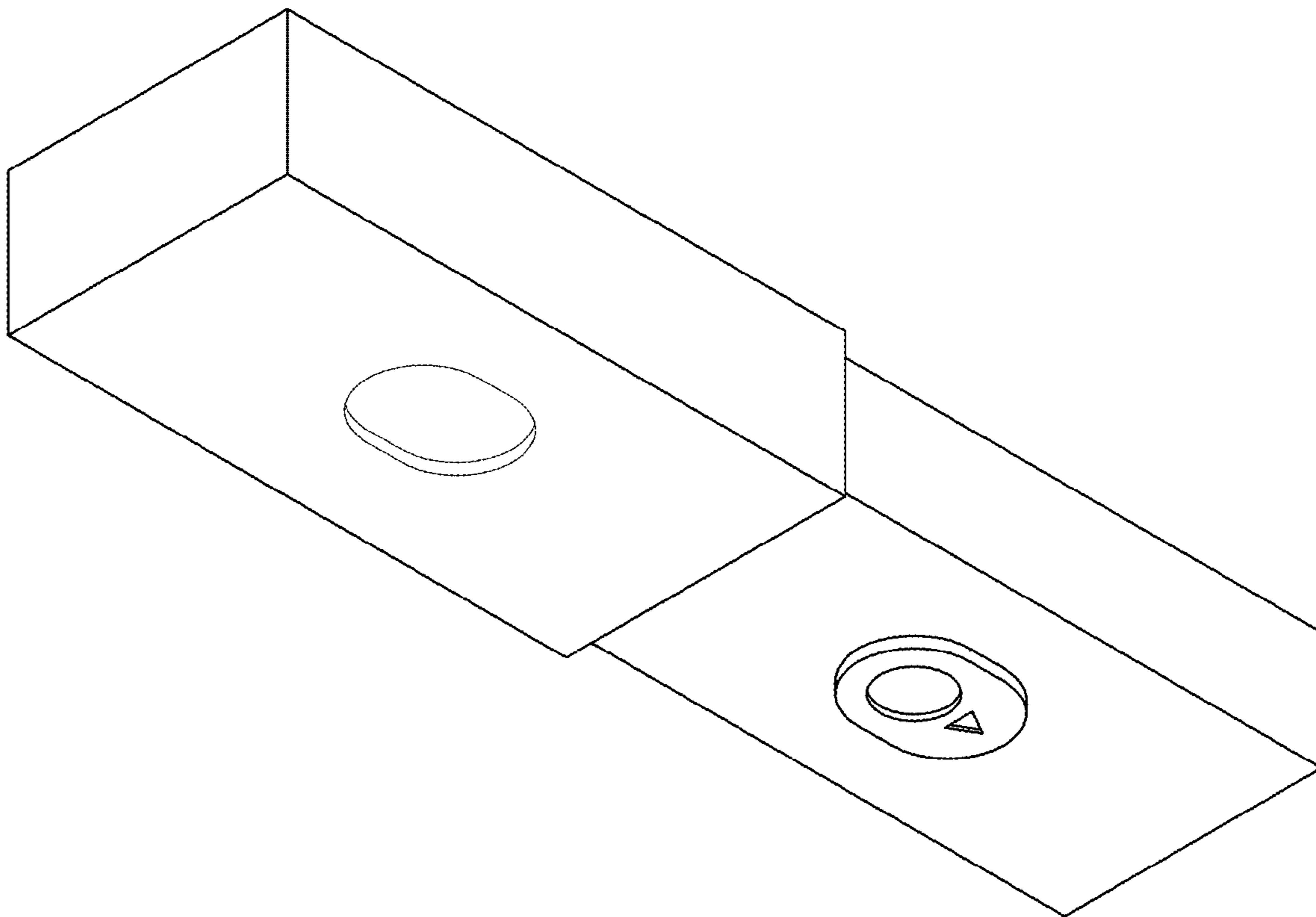


FIG. 146

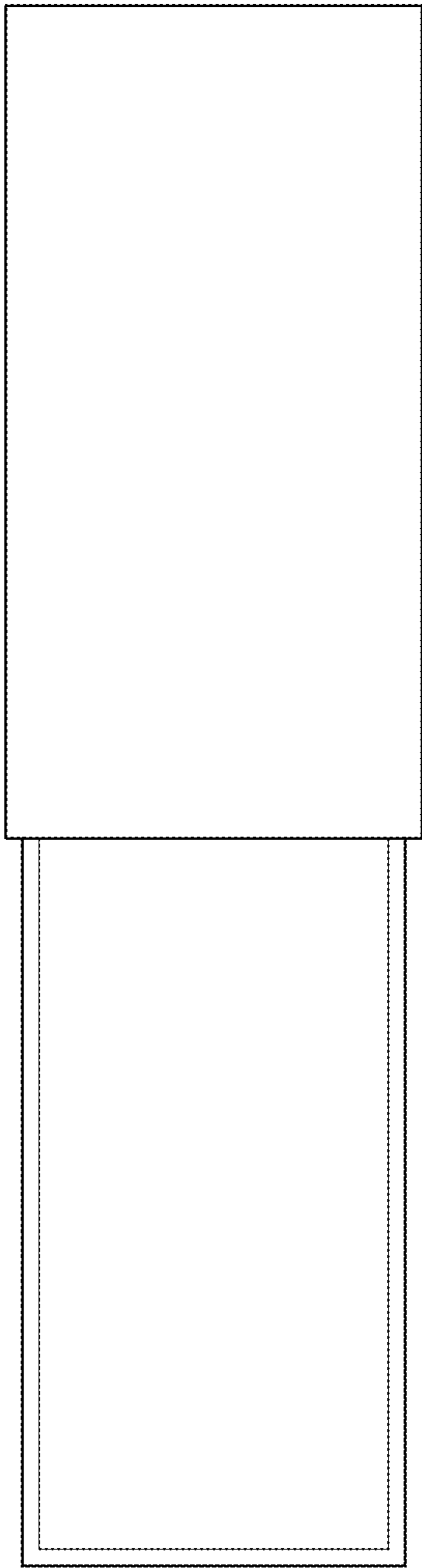


FIG. 147



FIG. 148



FIG. 149

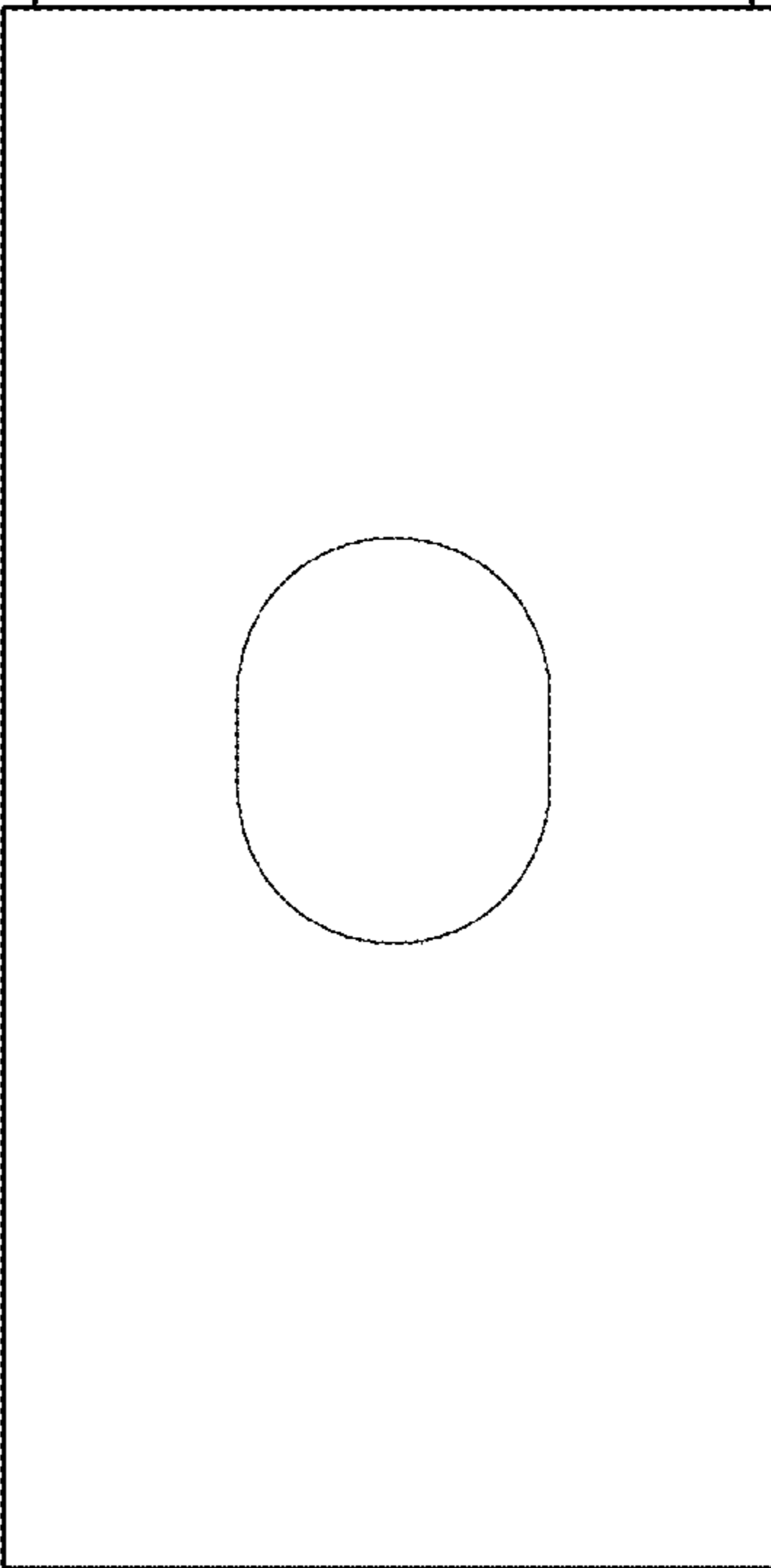
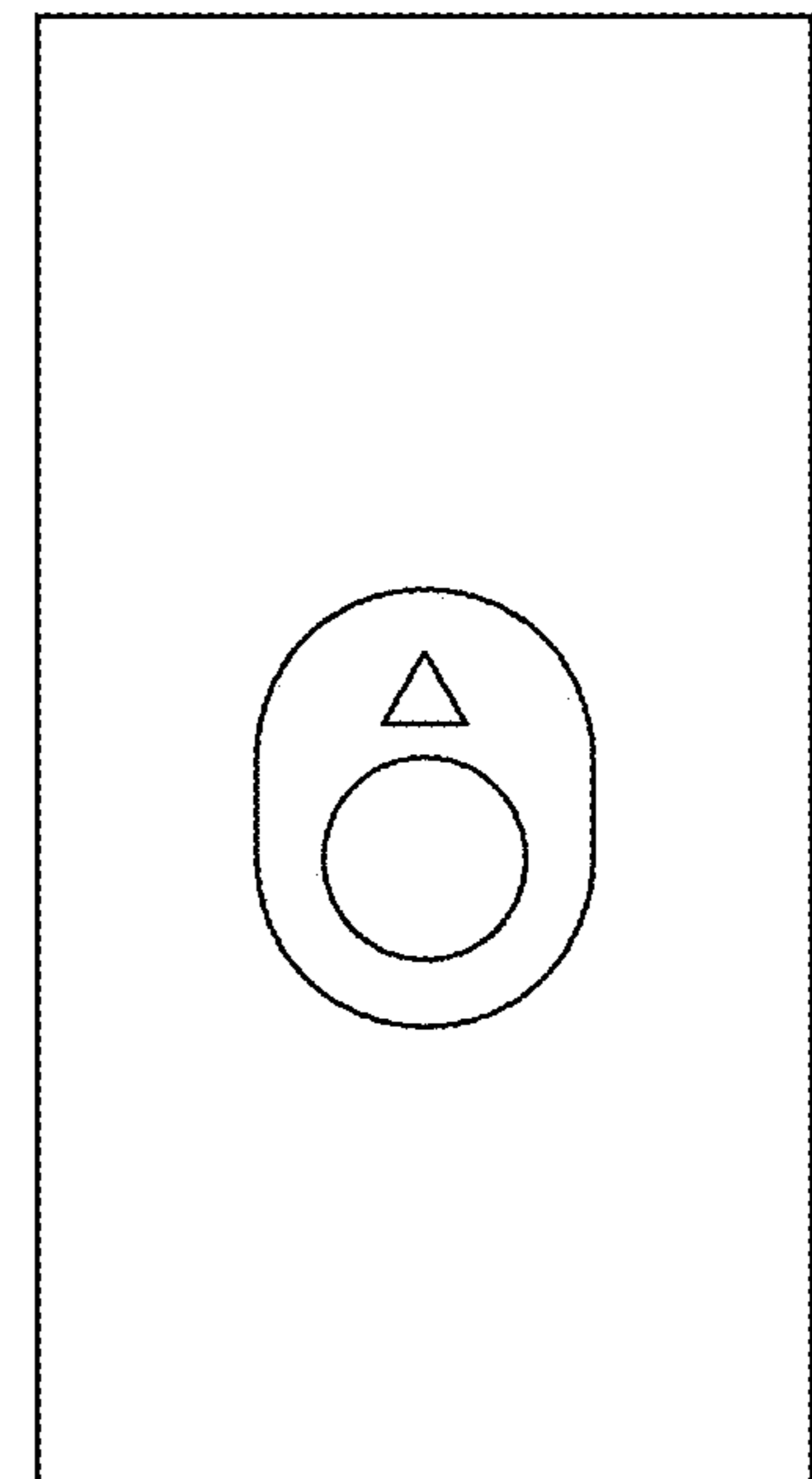


FIG. 150

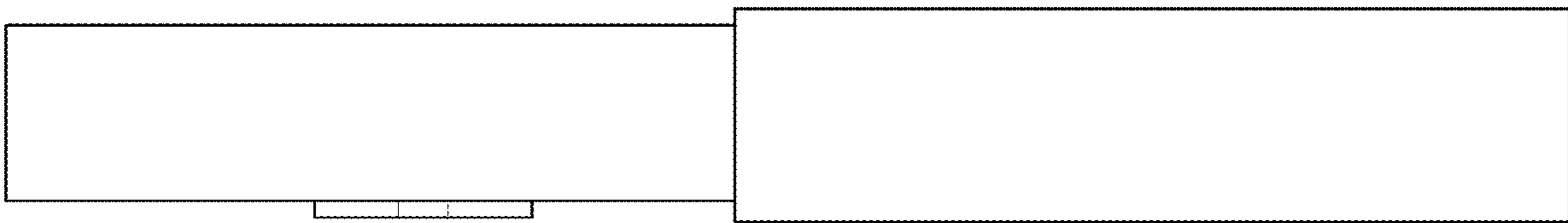


FIG. 151

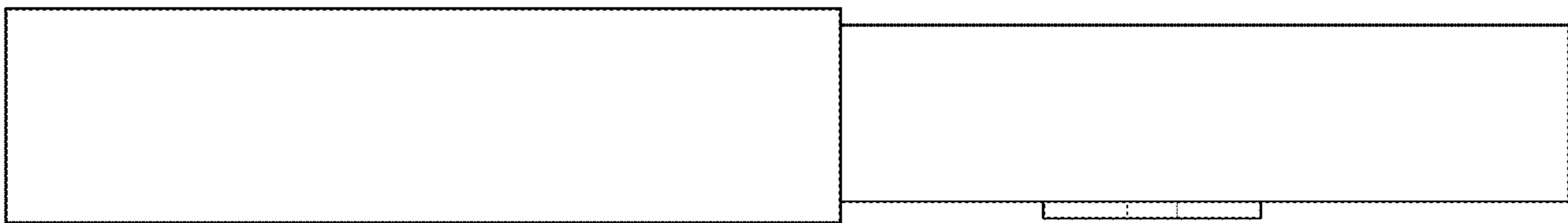


FIG. 152

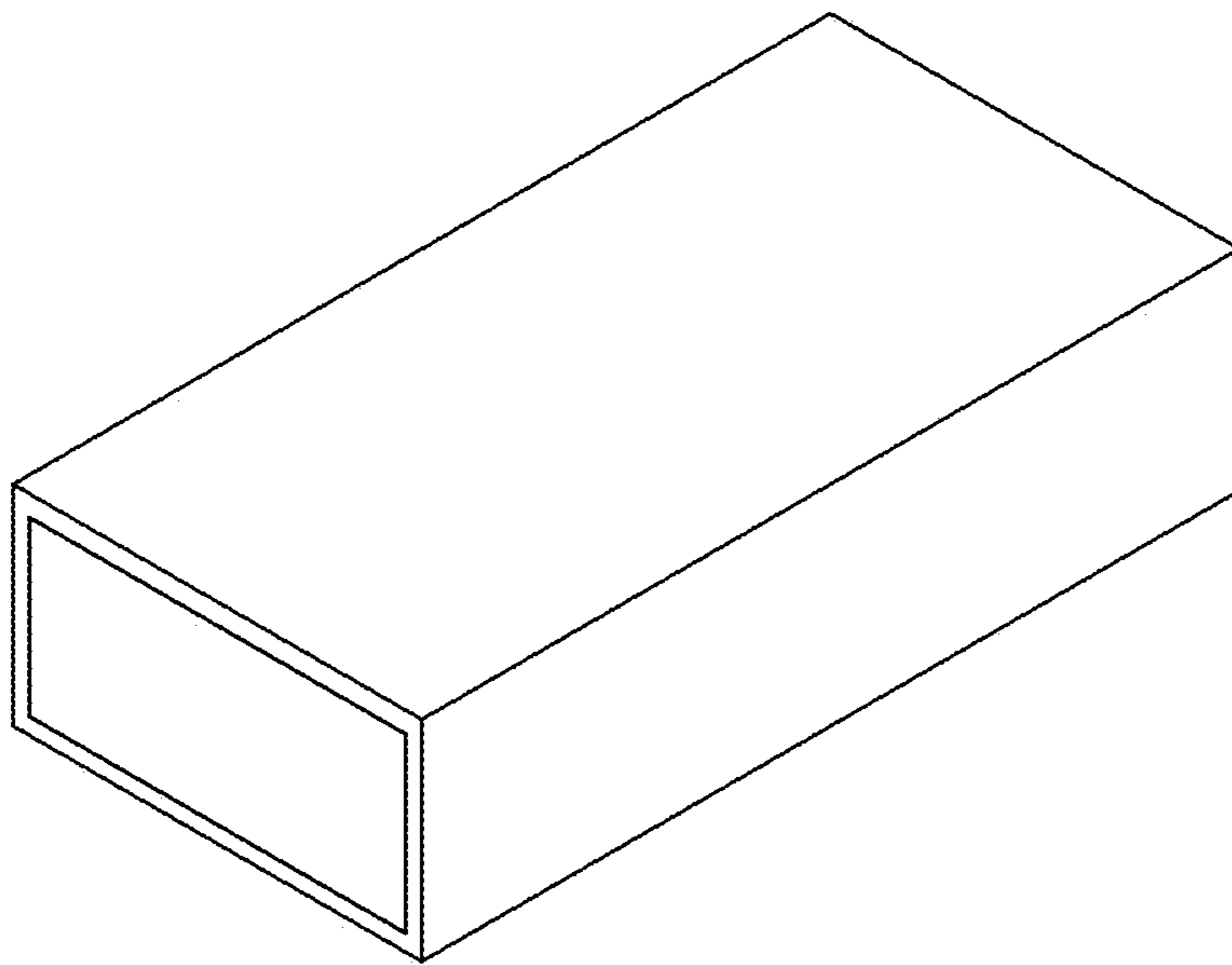


FIG. 153

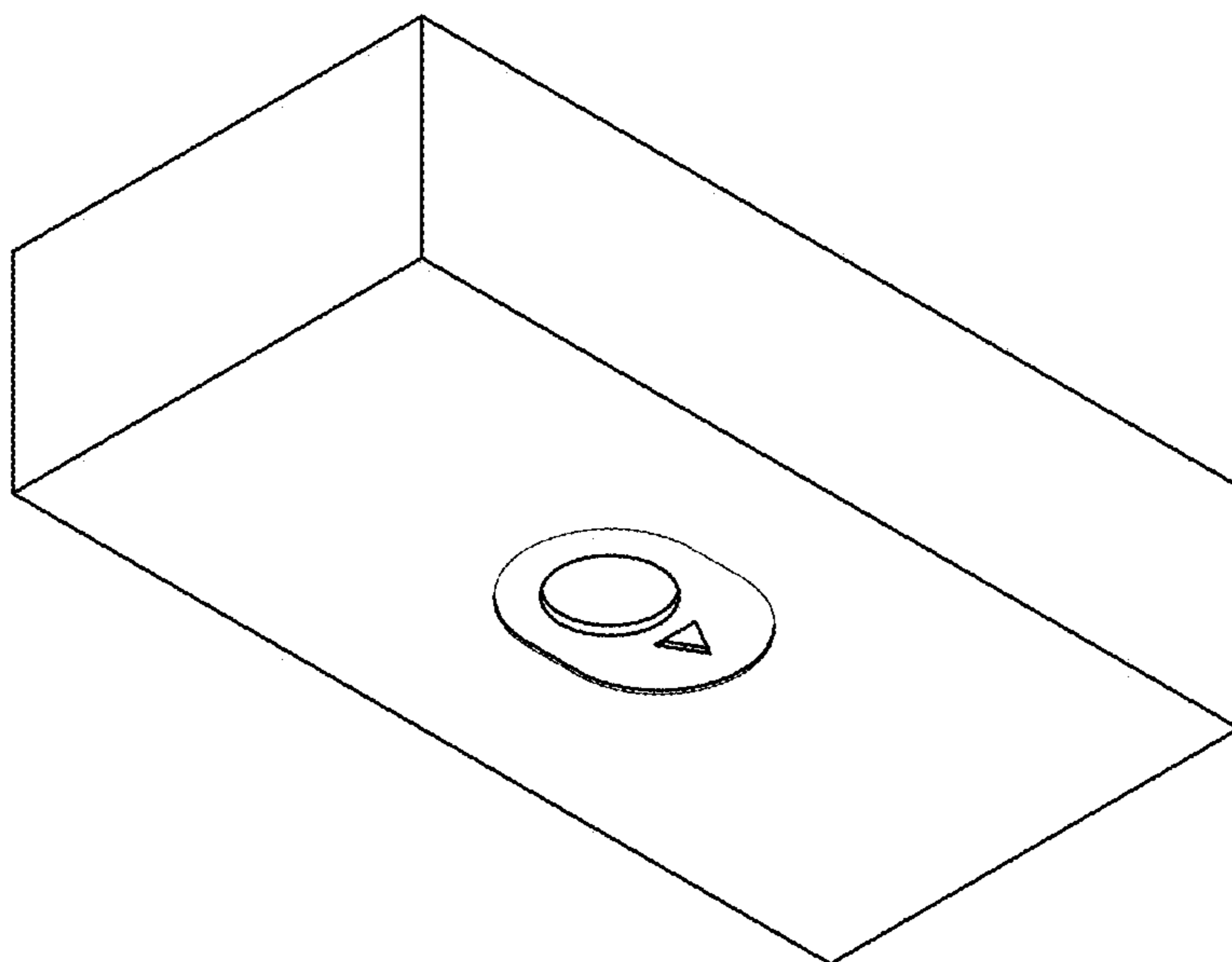


FIG. 154

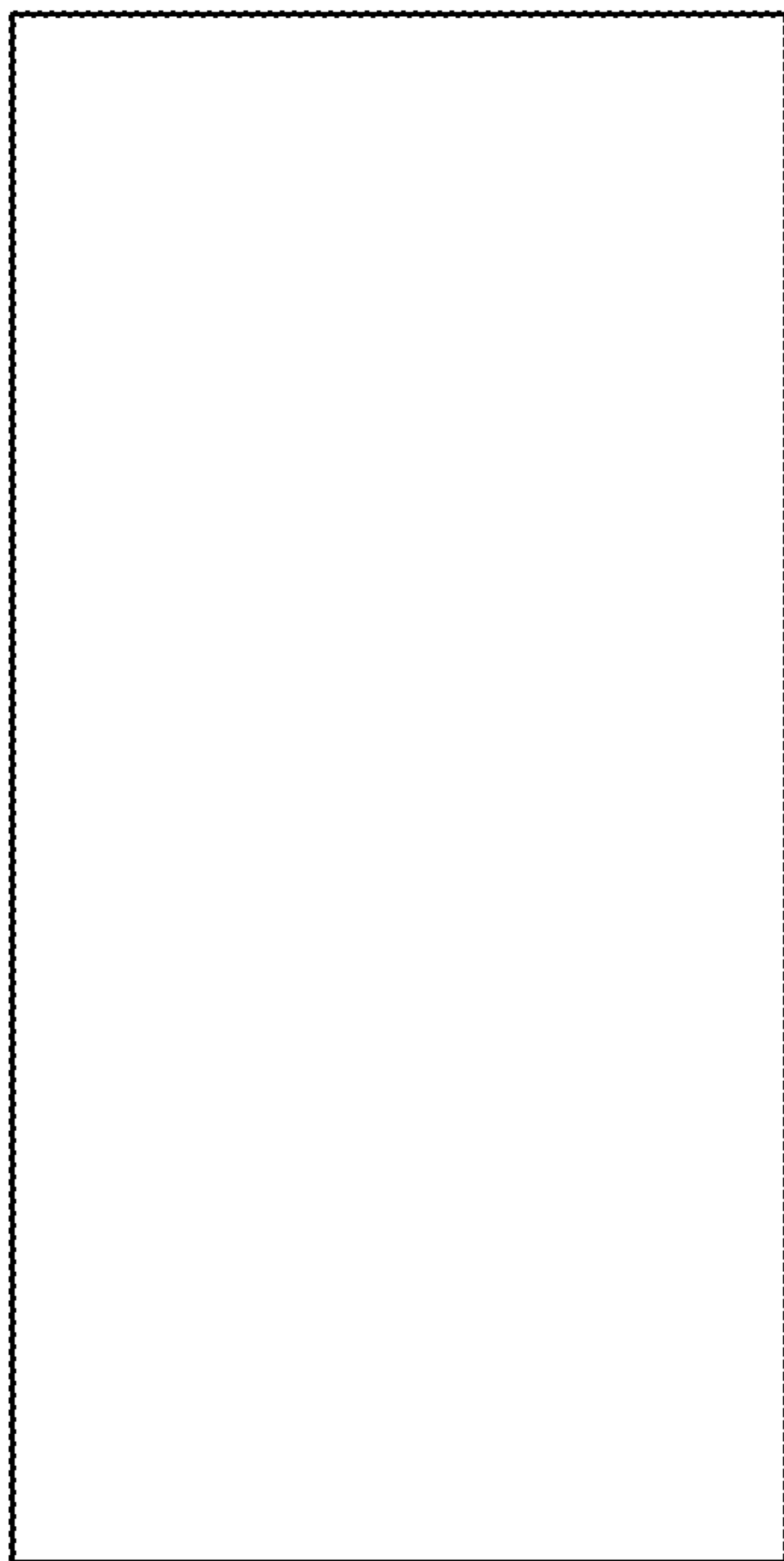


FIG. 155

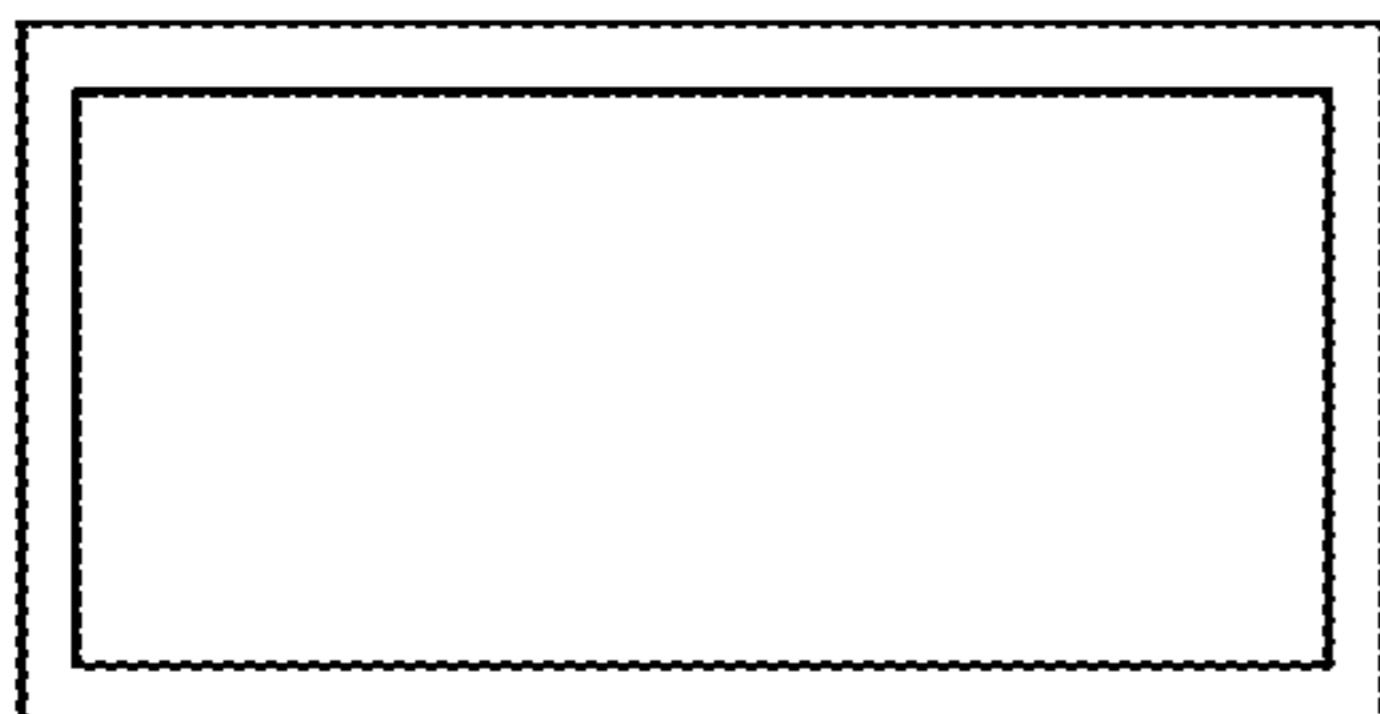


FIG. 156

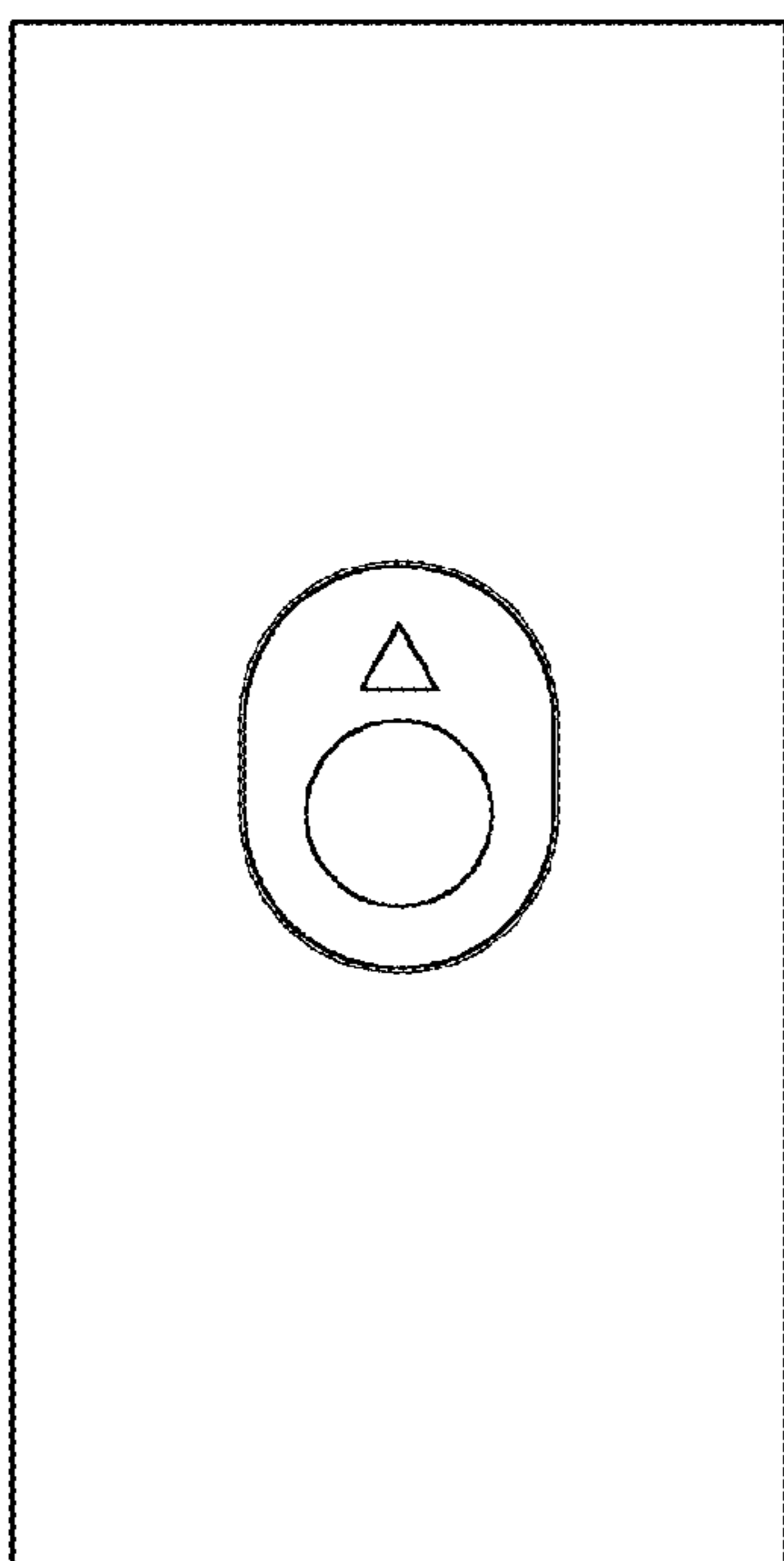


FIG. 157



FIG. 158



FIG. 159



FIG. 160

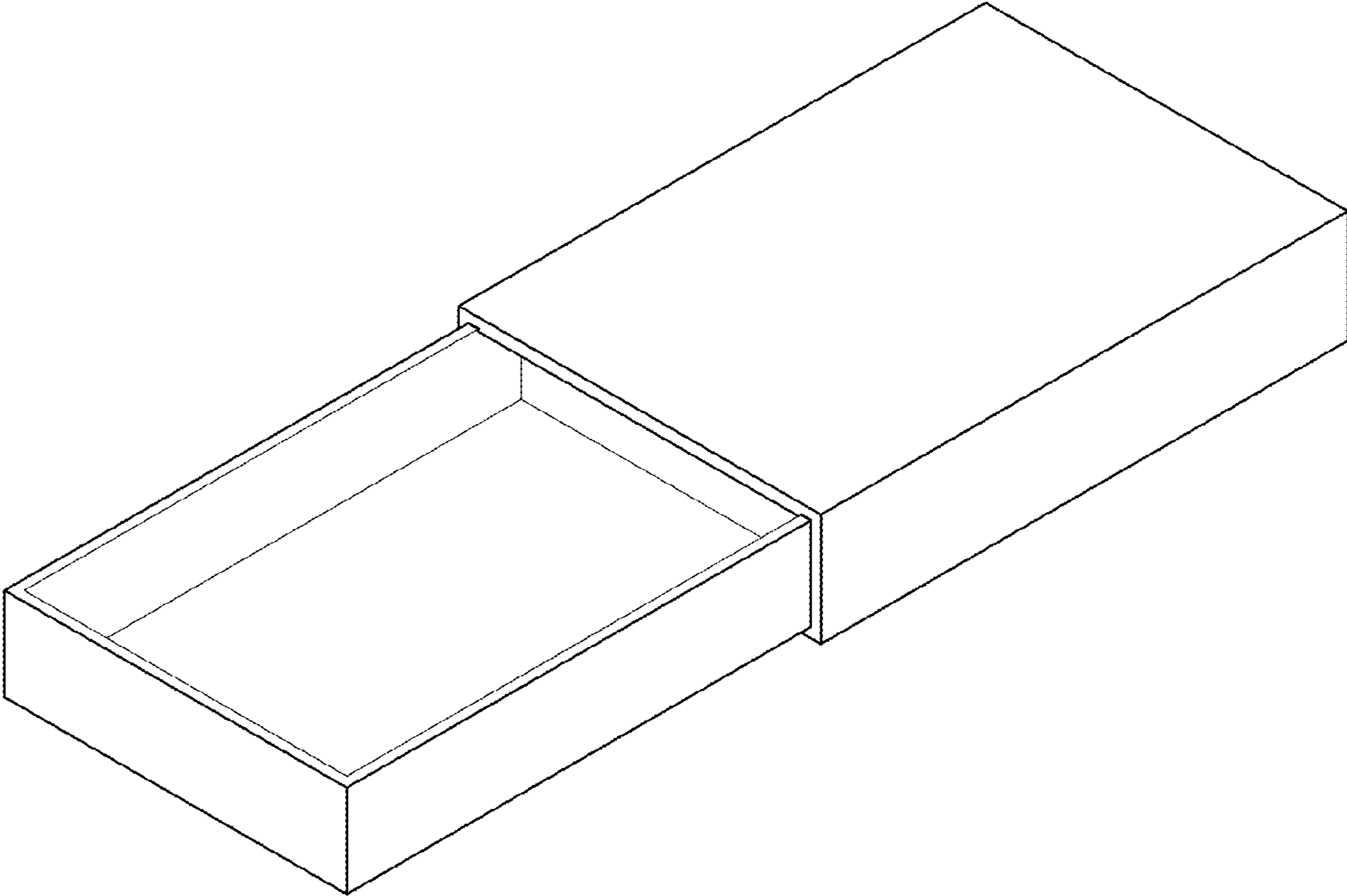


FIG. 161

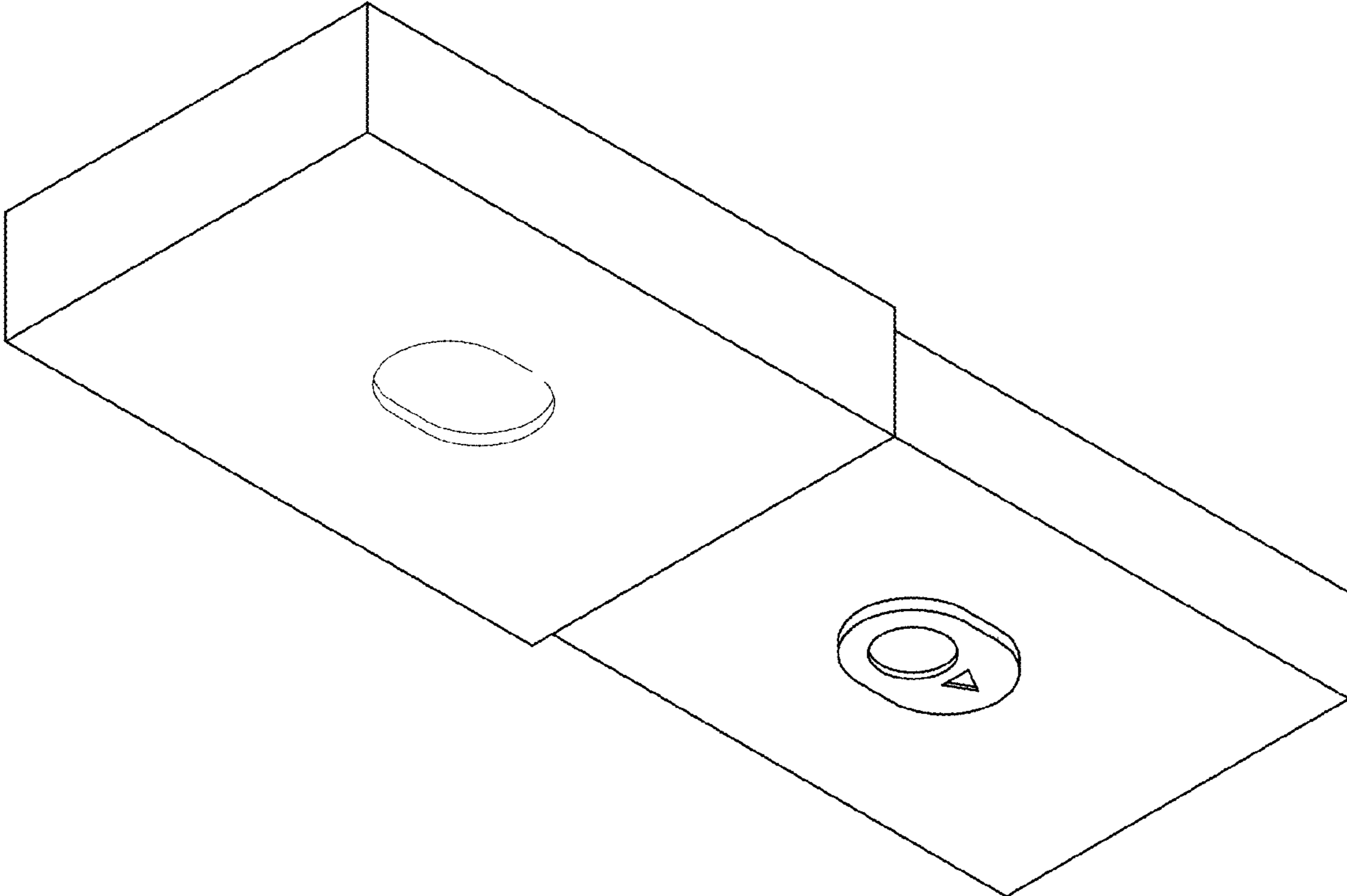


FIG. 162

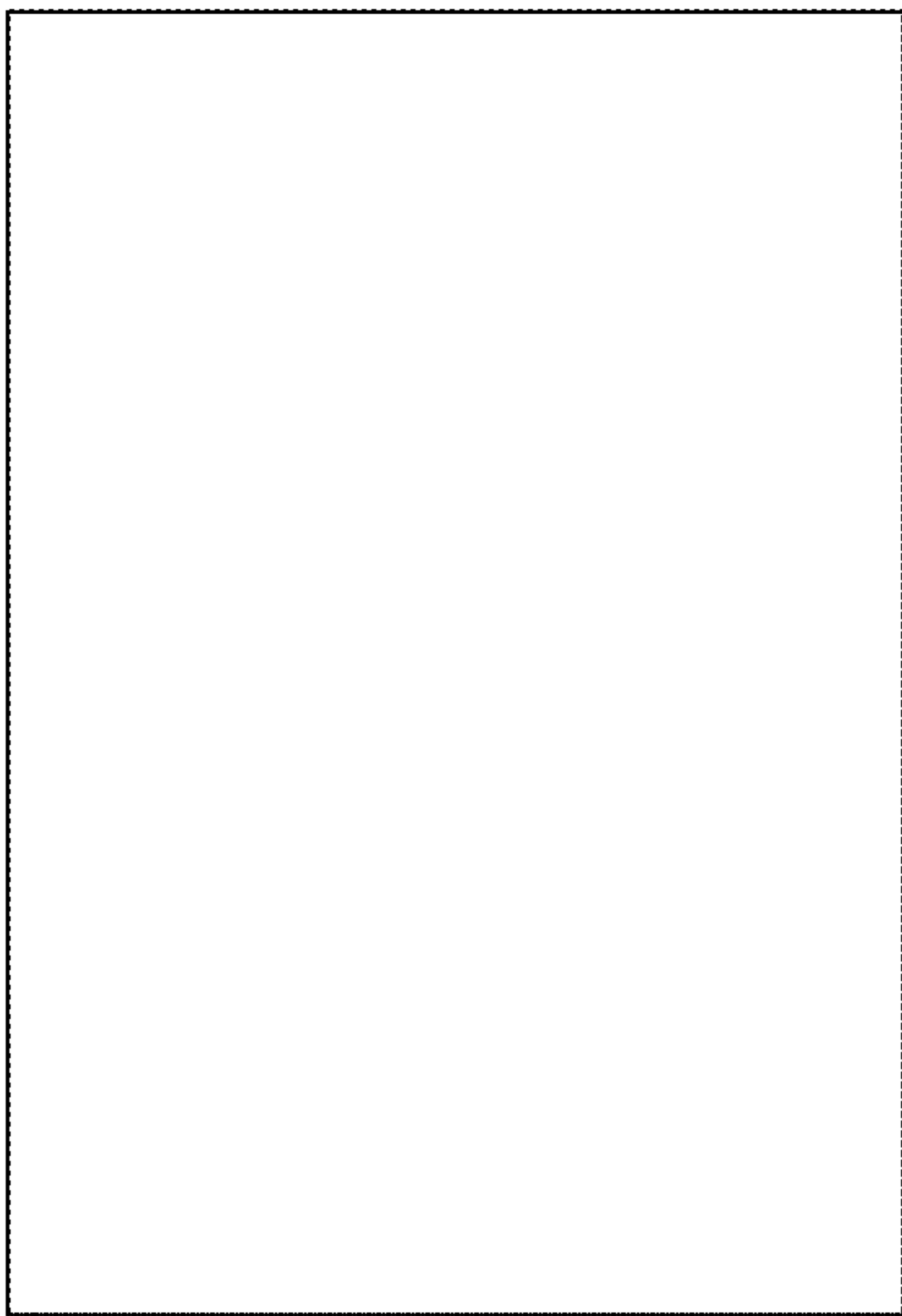


FIG. 163

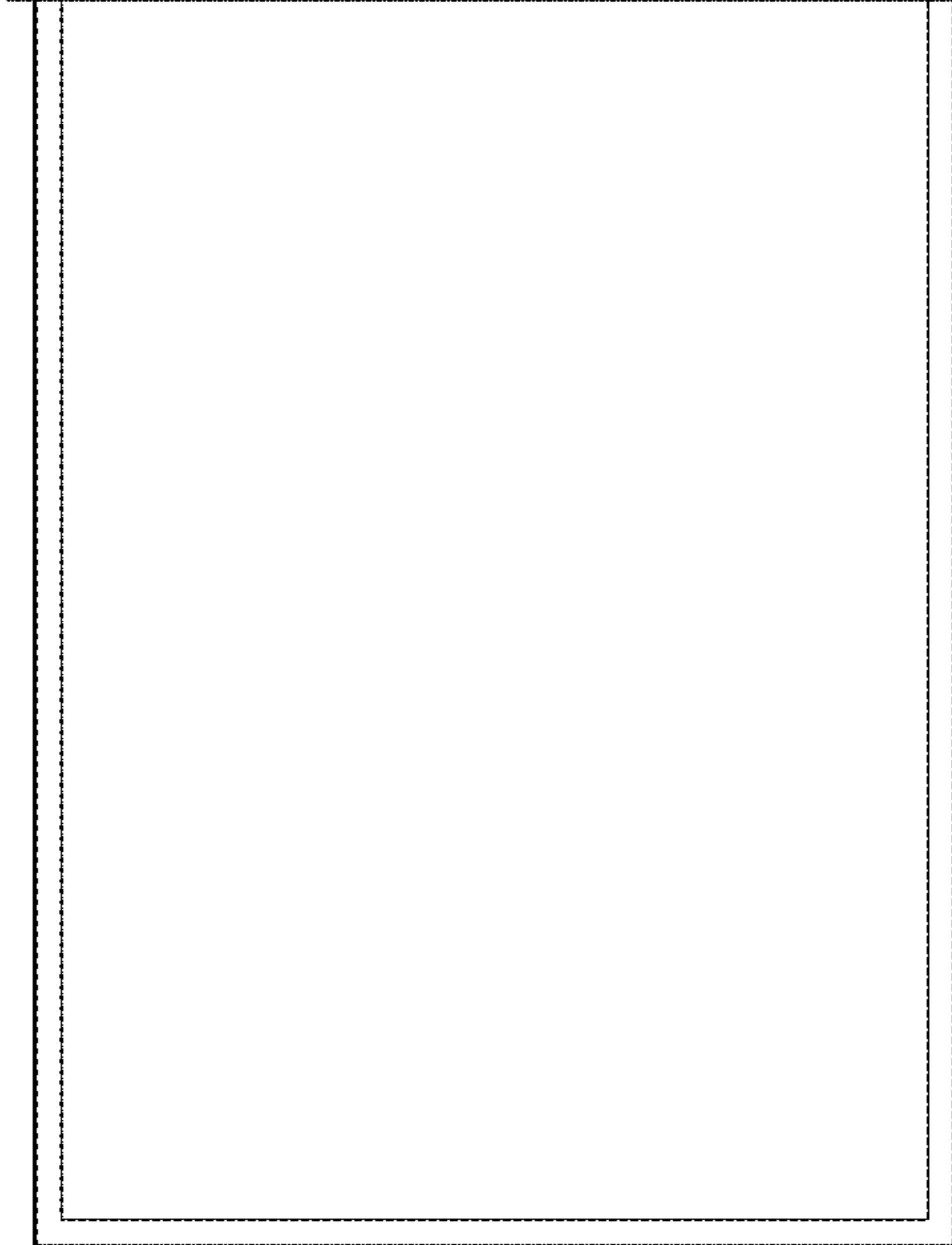


FIG. 164

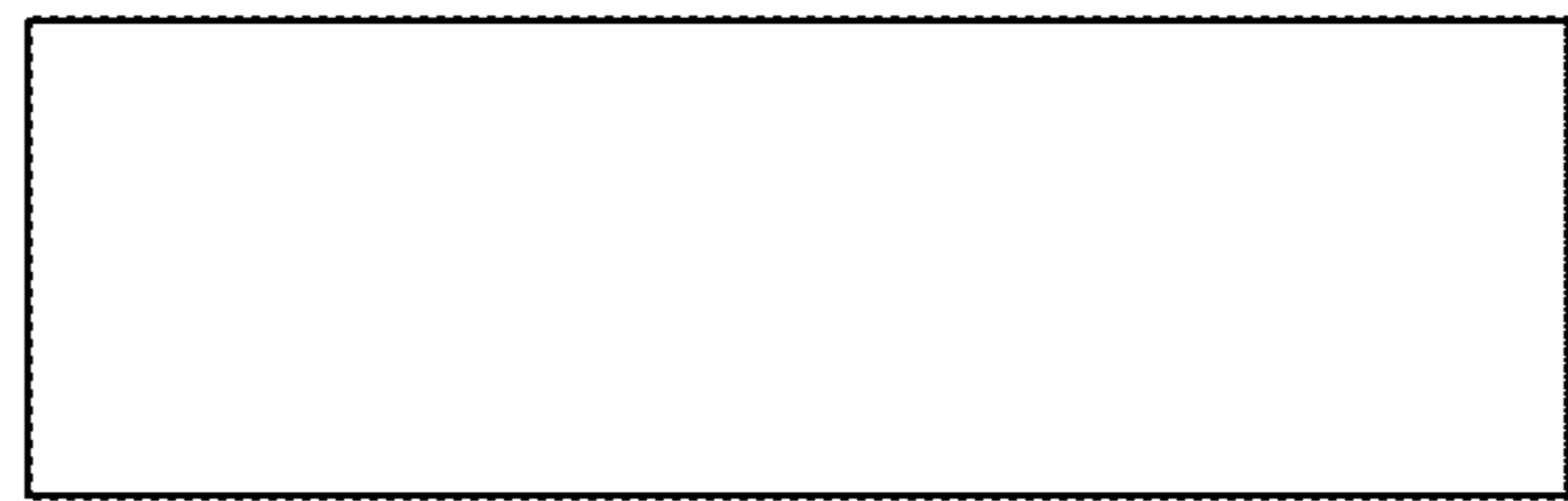
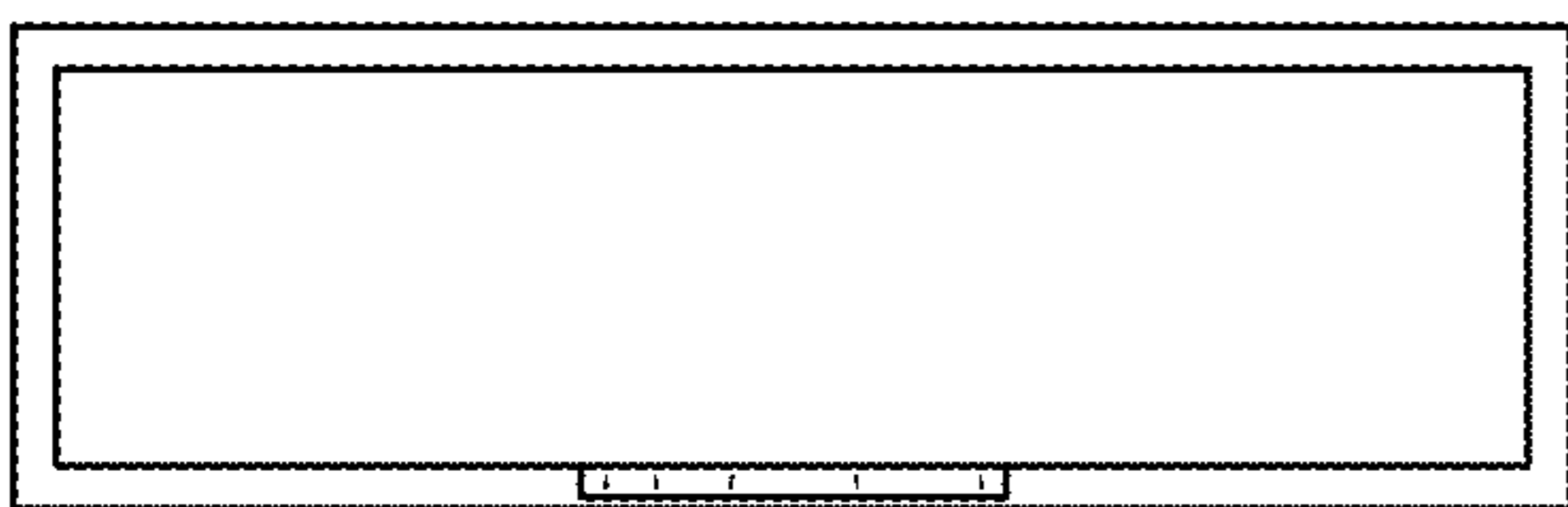


FIG. 165

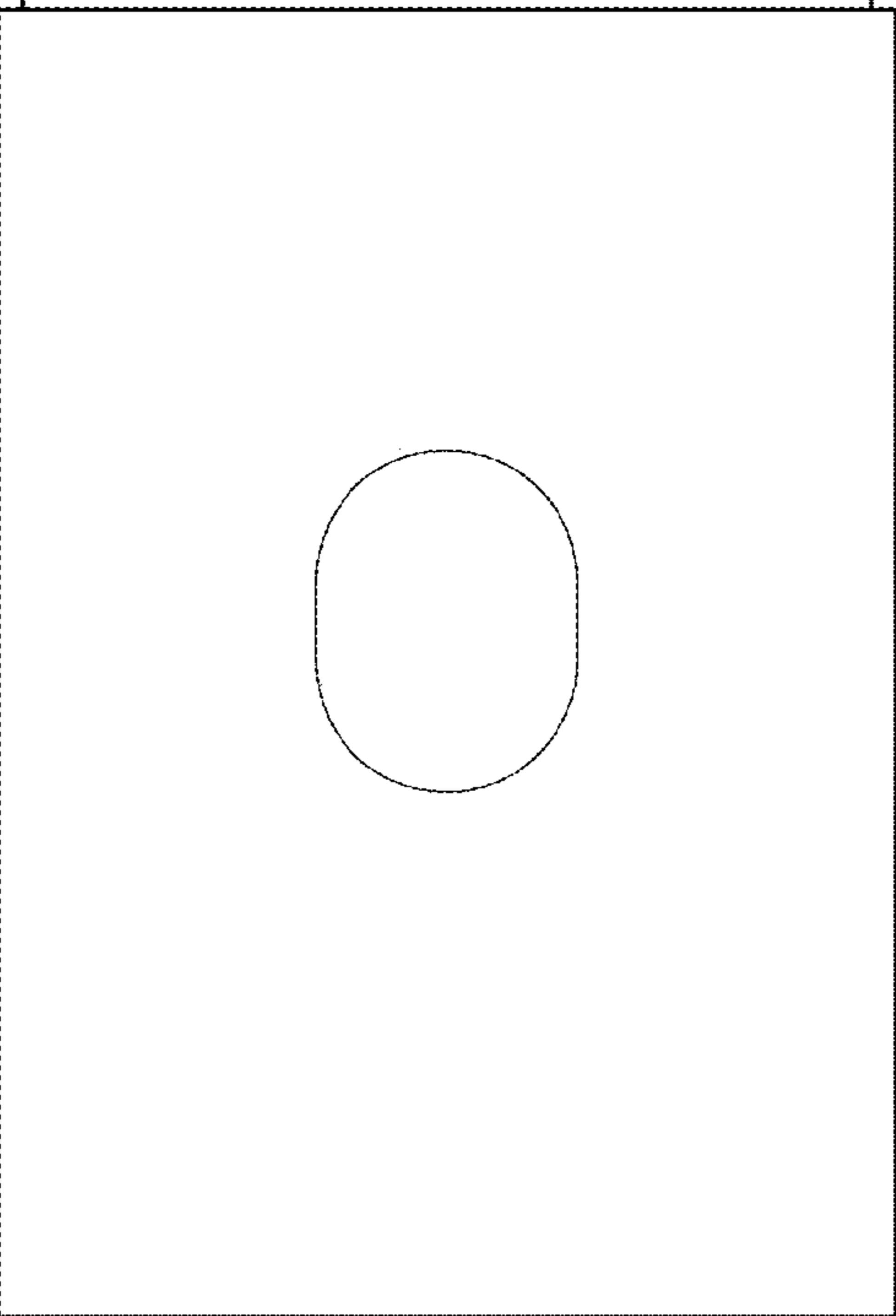
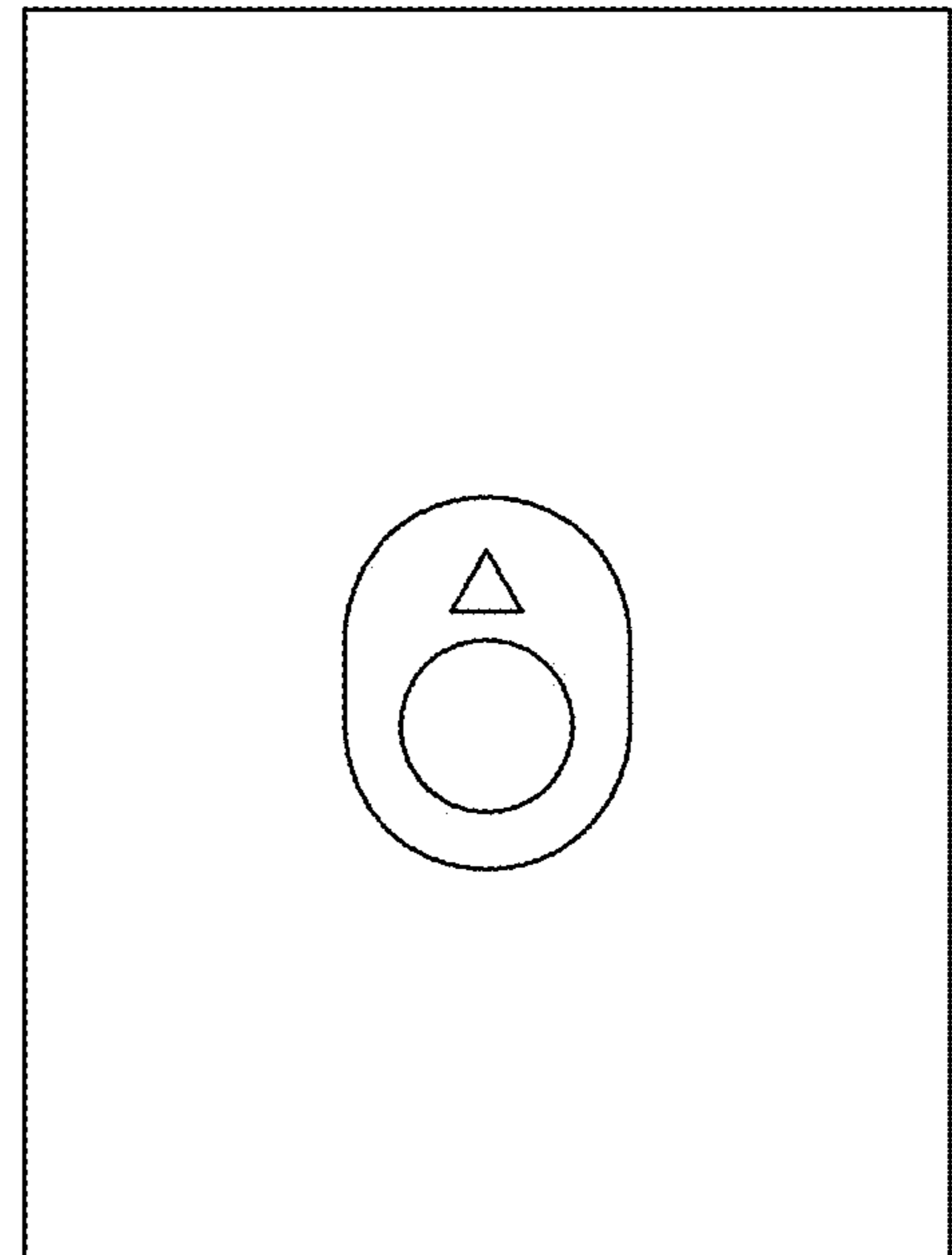


FIG. 166

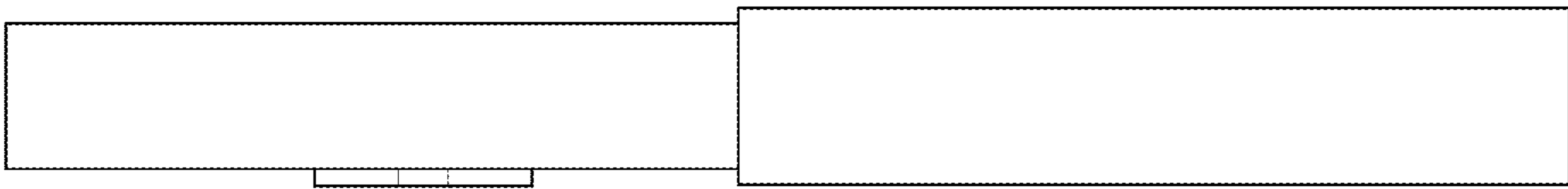


FIG. 167

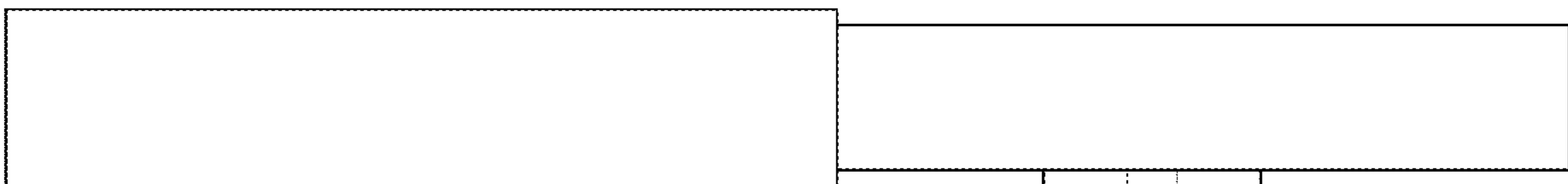


FIG. 168

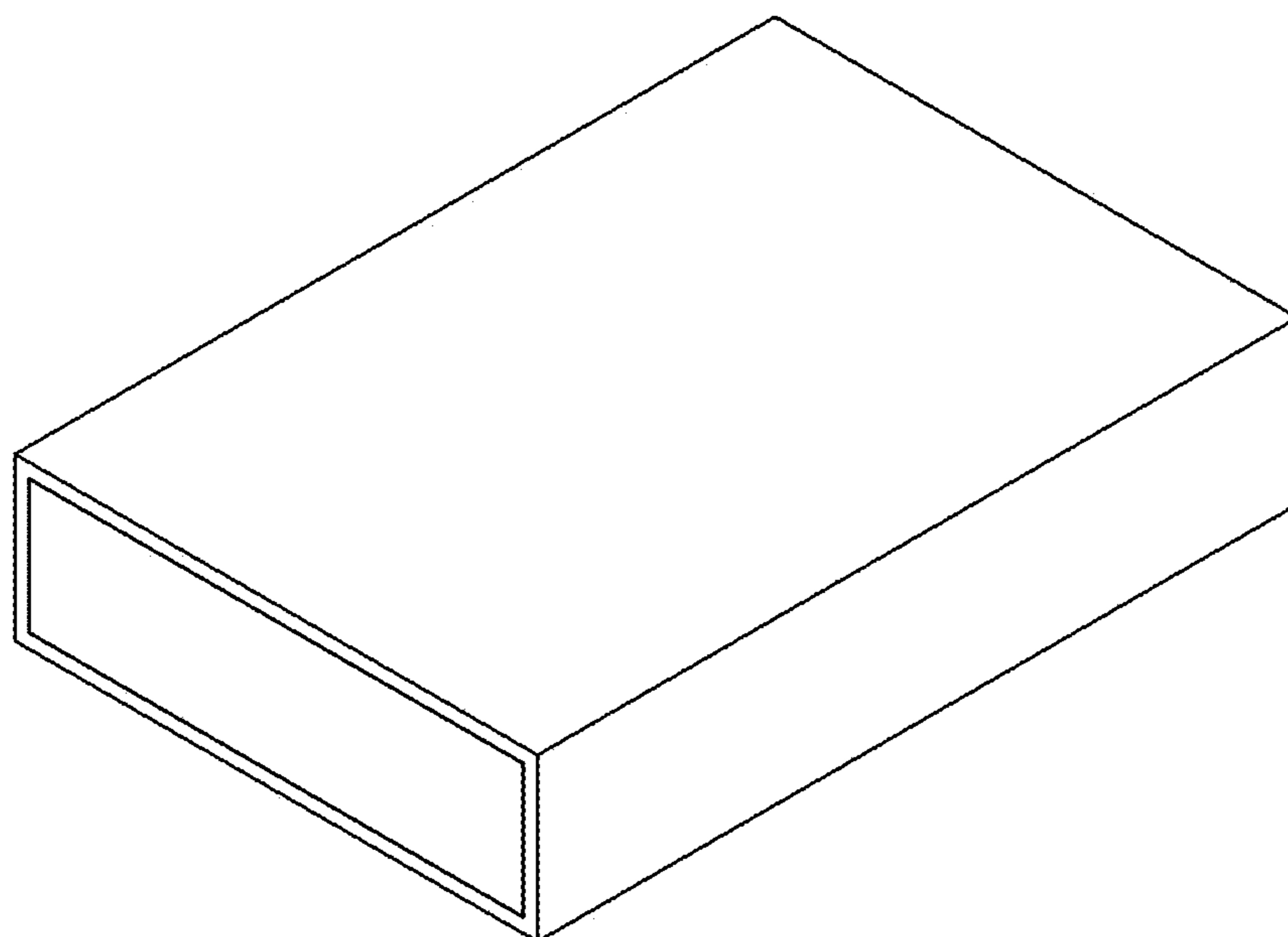


FIG. 169

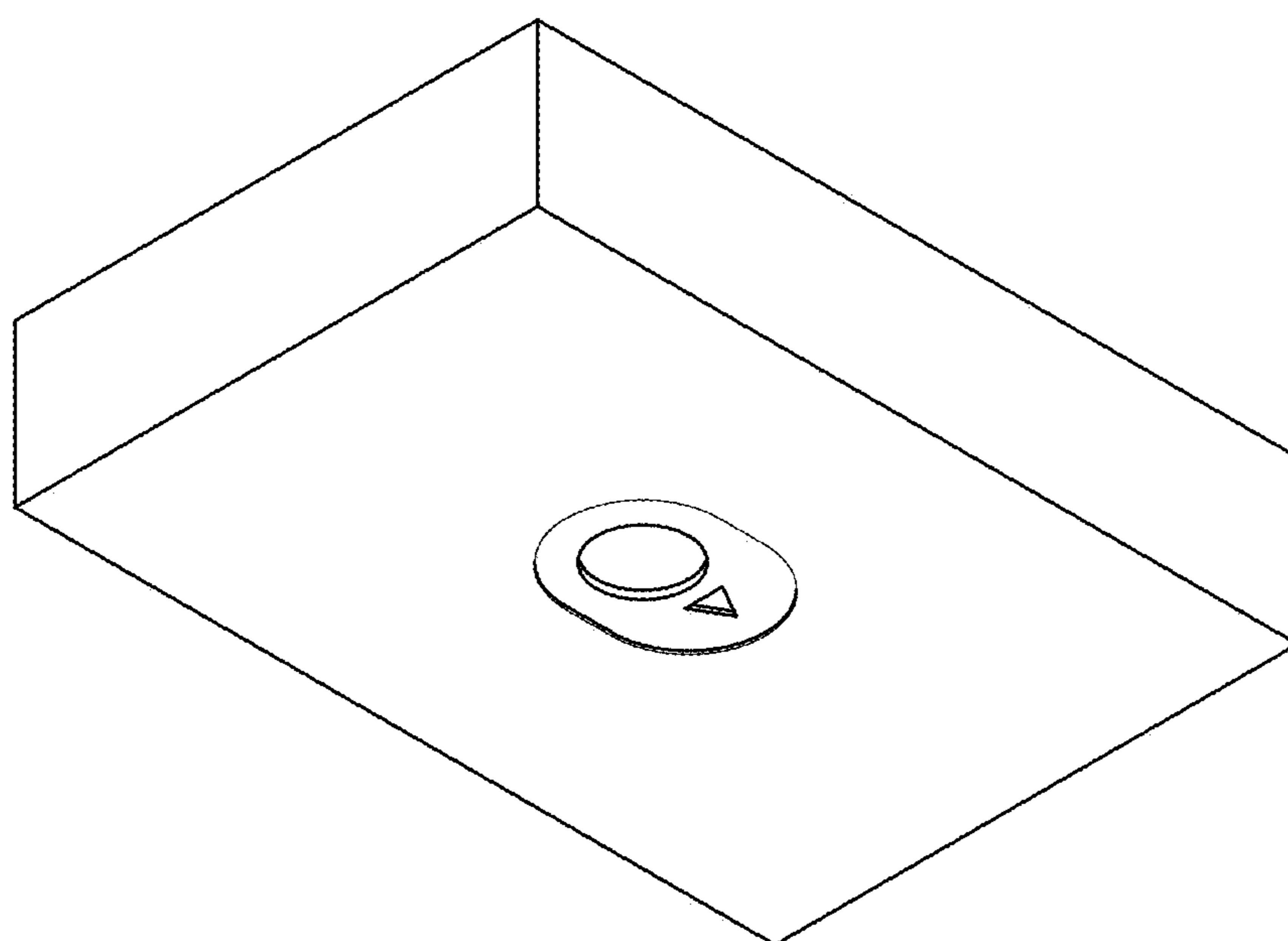


FIG. 170

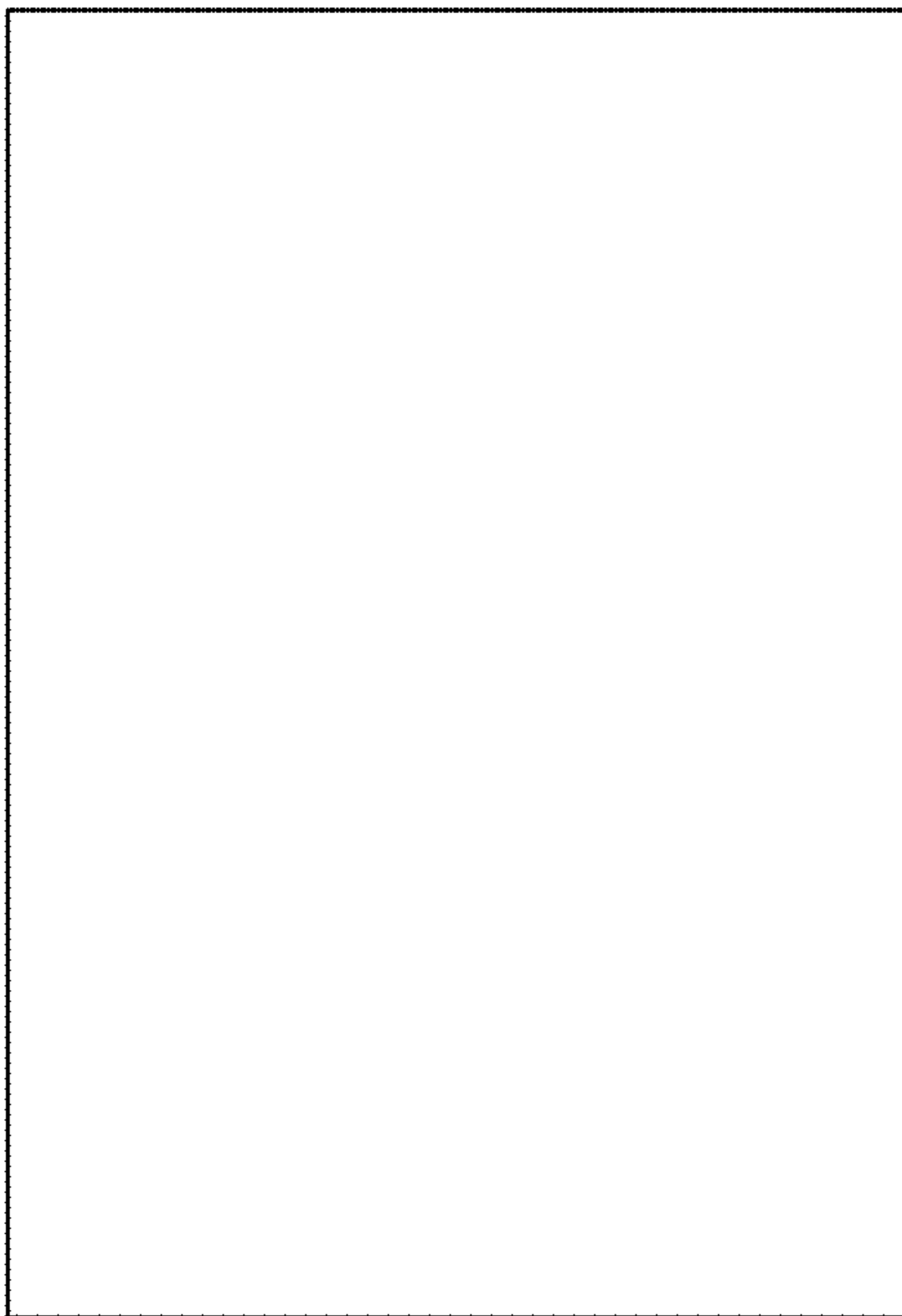


FIG. 171

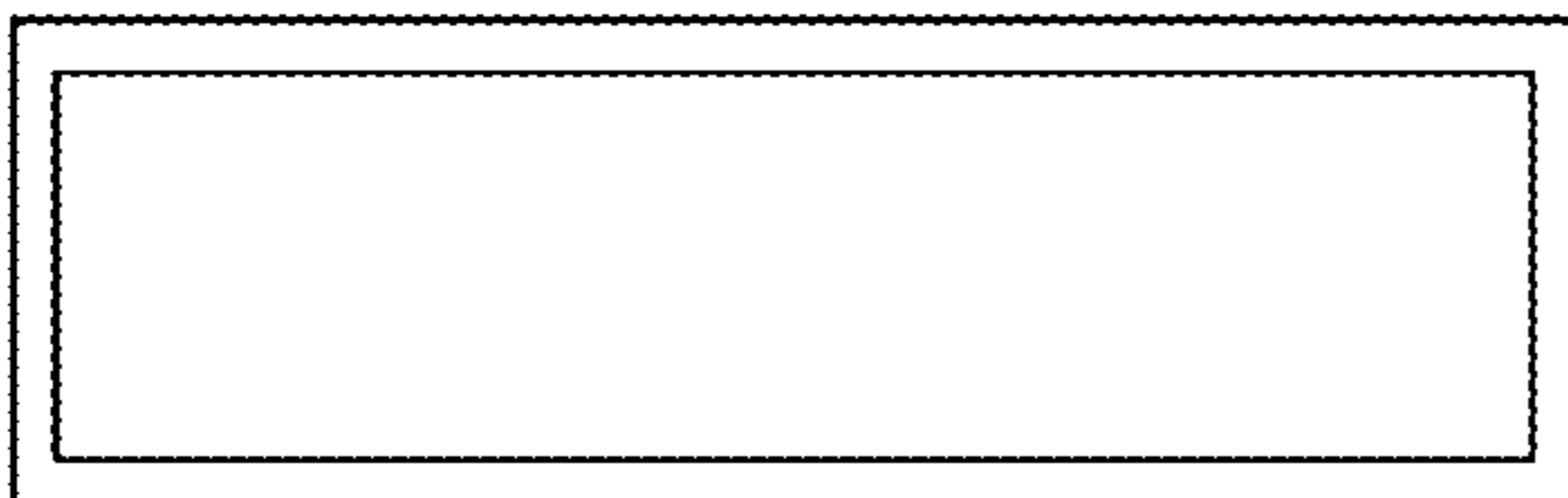


FIG. 172

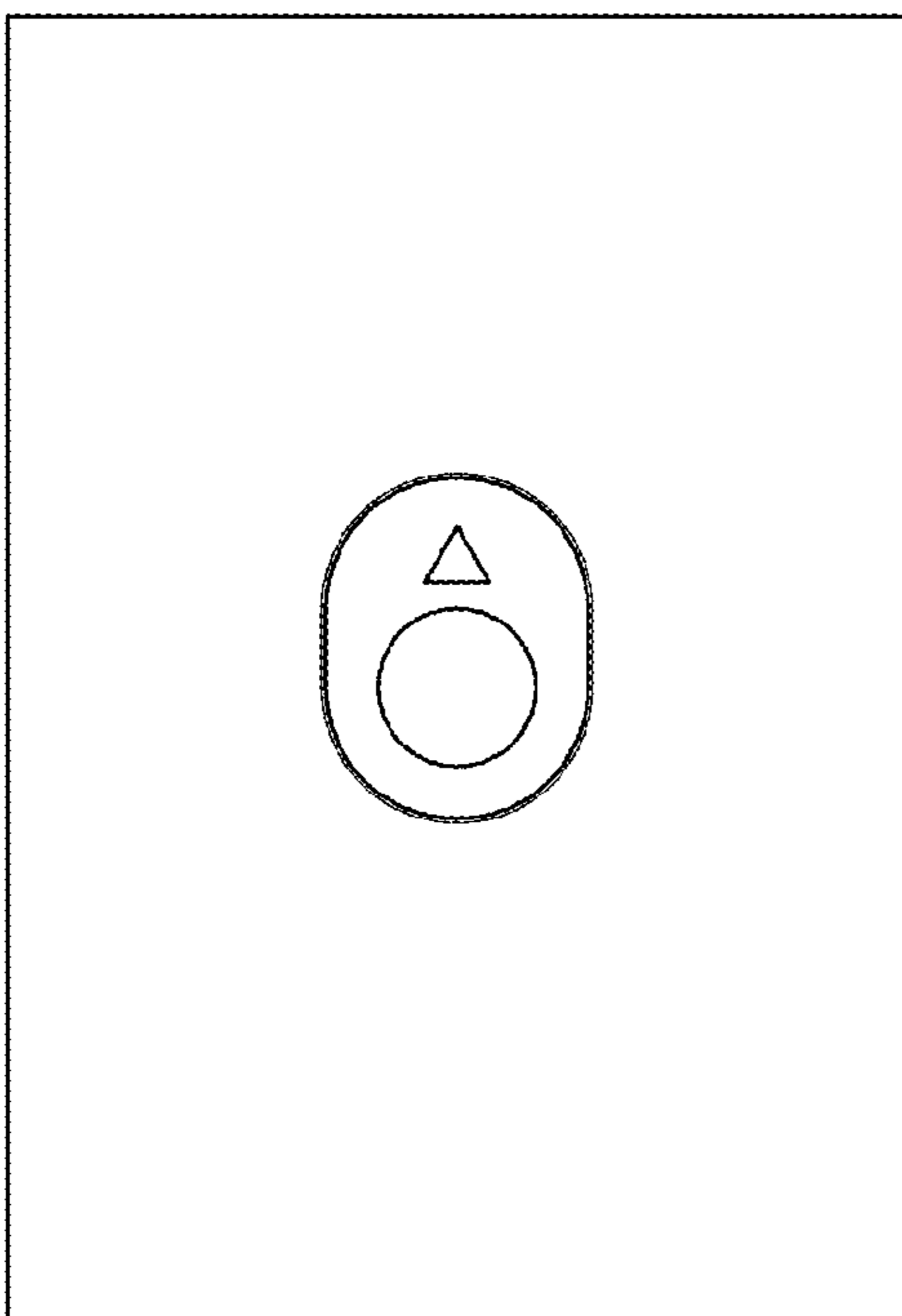


FIG. 173



FIG. 174

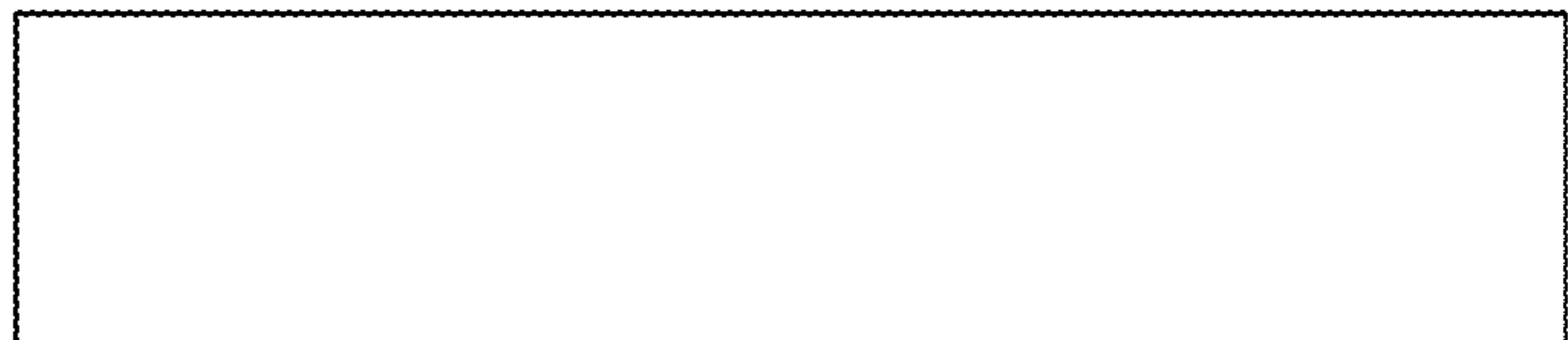


FIG. 175



FIG. 176

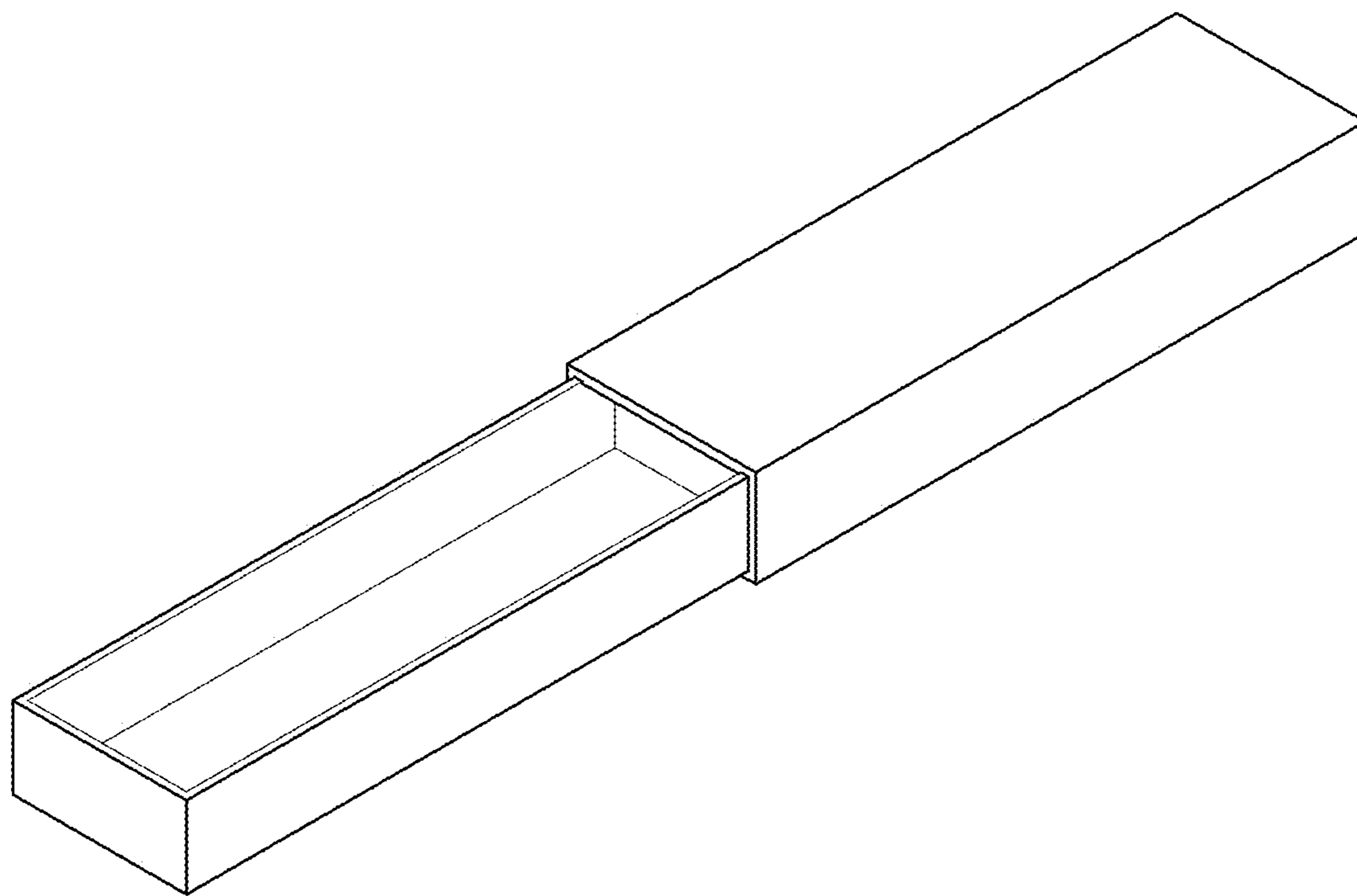


FIG. 177

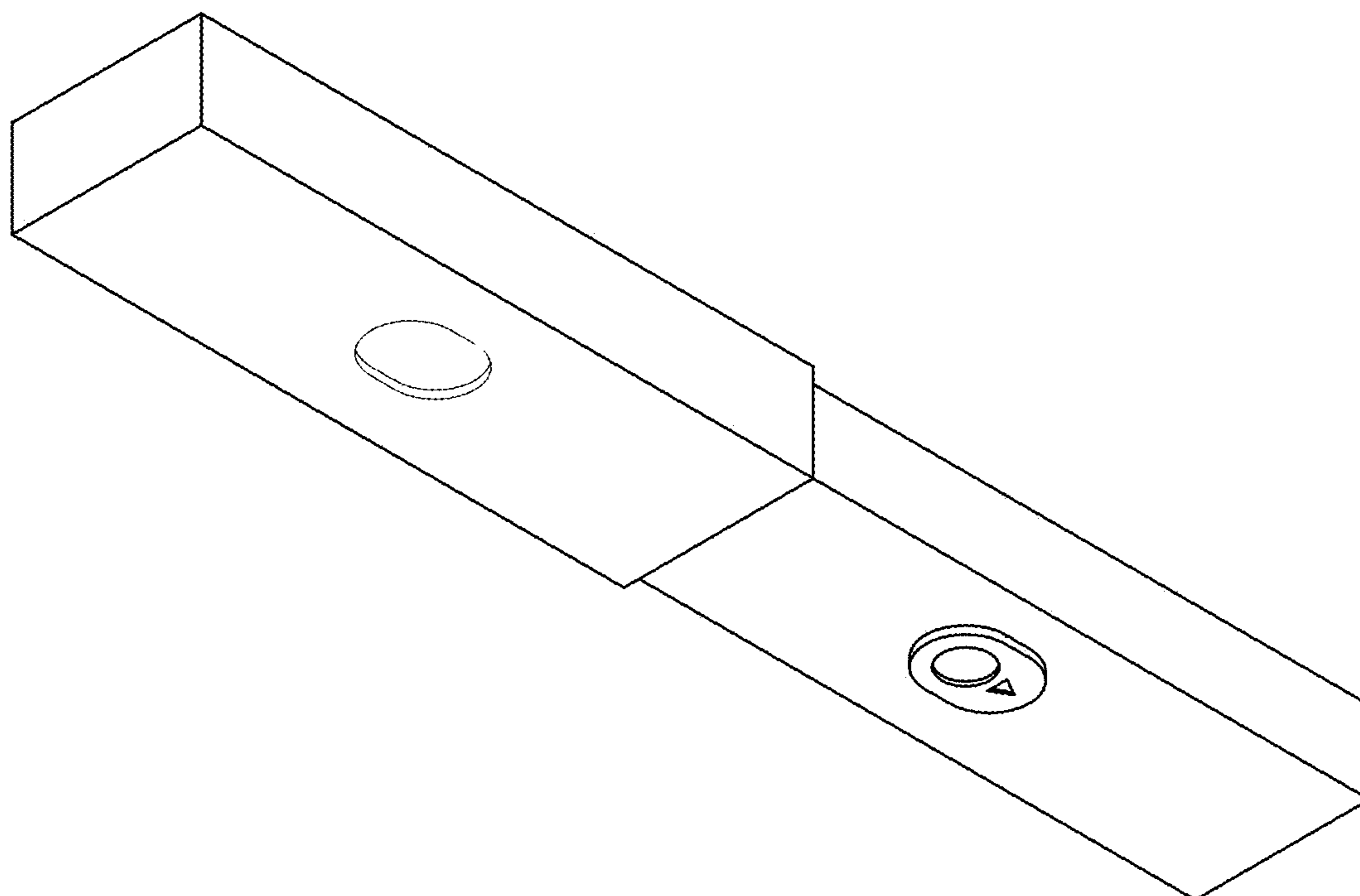


FIG. 178

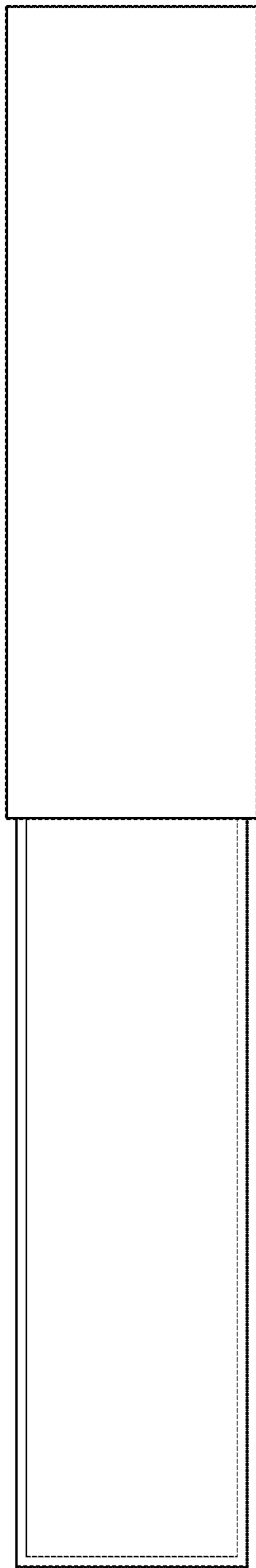


FIG. 179

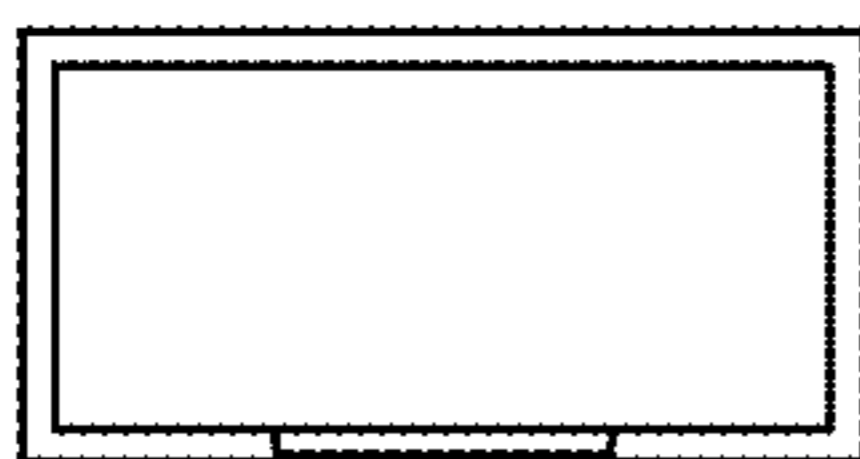


FIG. 180



FIG. 181

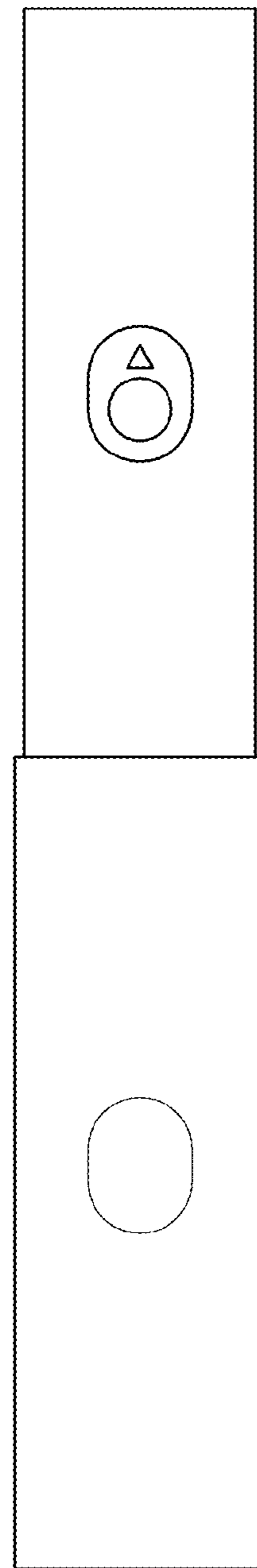


FIG. 182

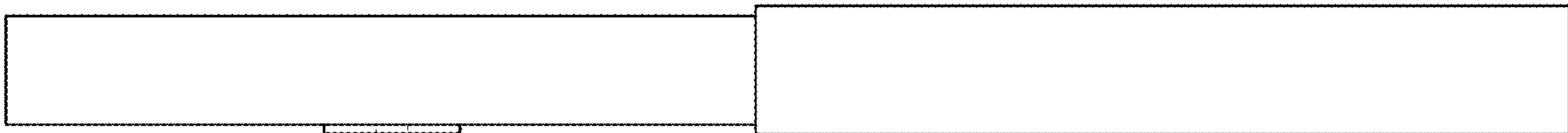


FIG. 183

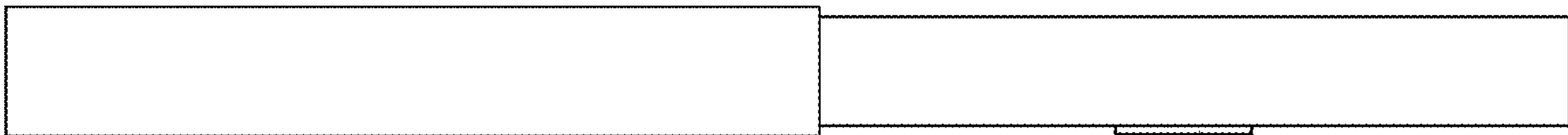


FIG. 184

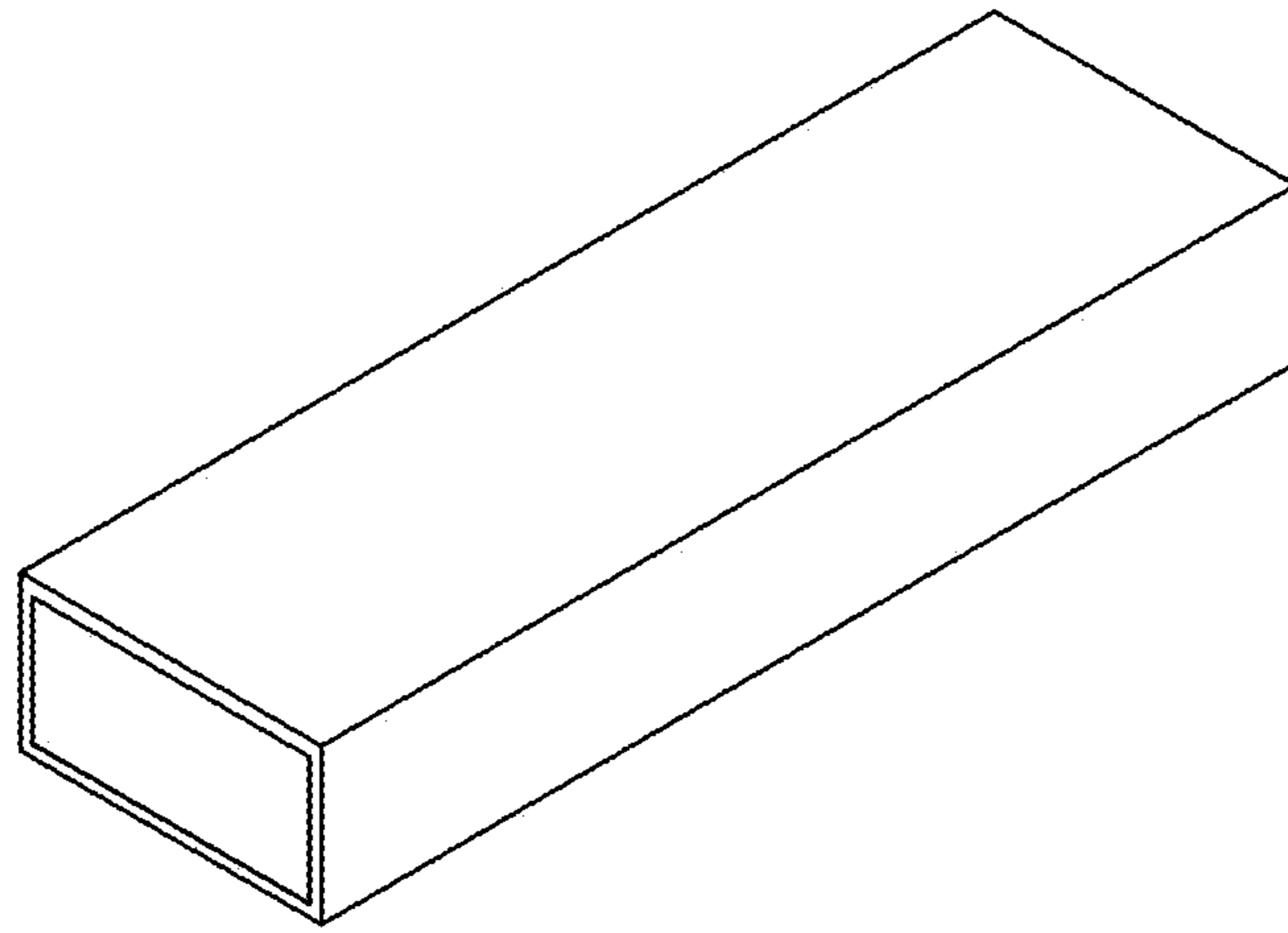


FIG. 185

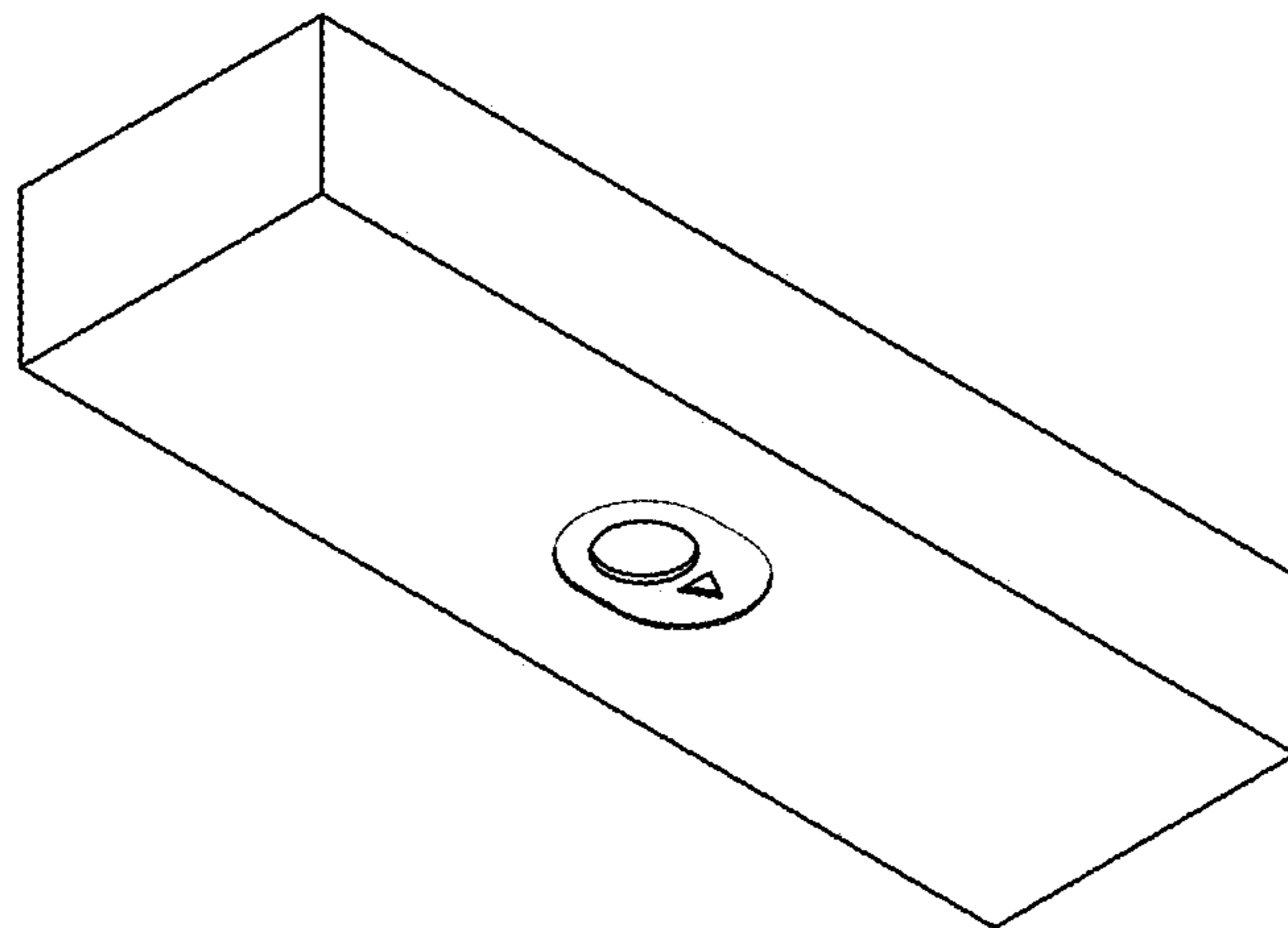


FIG. 186

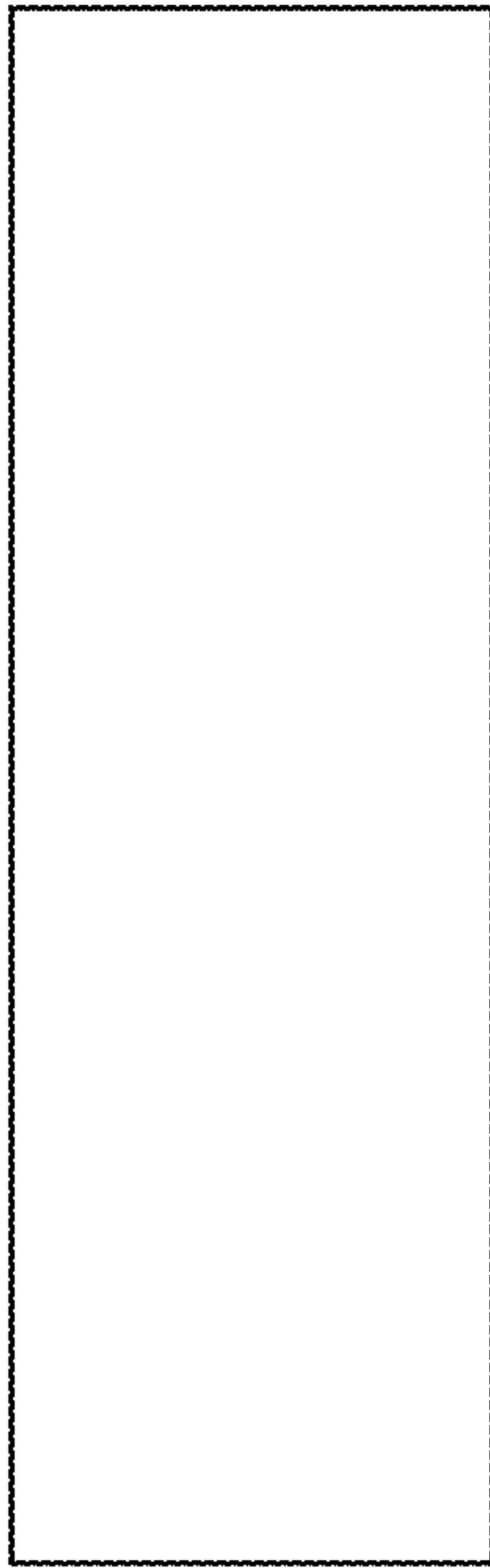


FIG. 187



FIG. 188

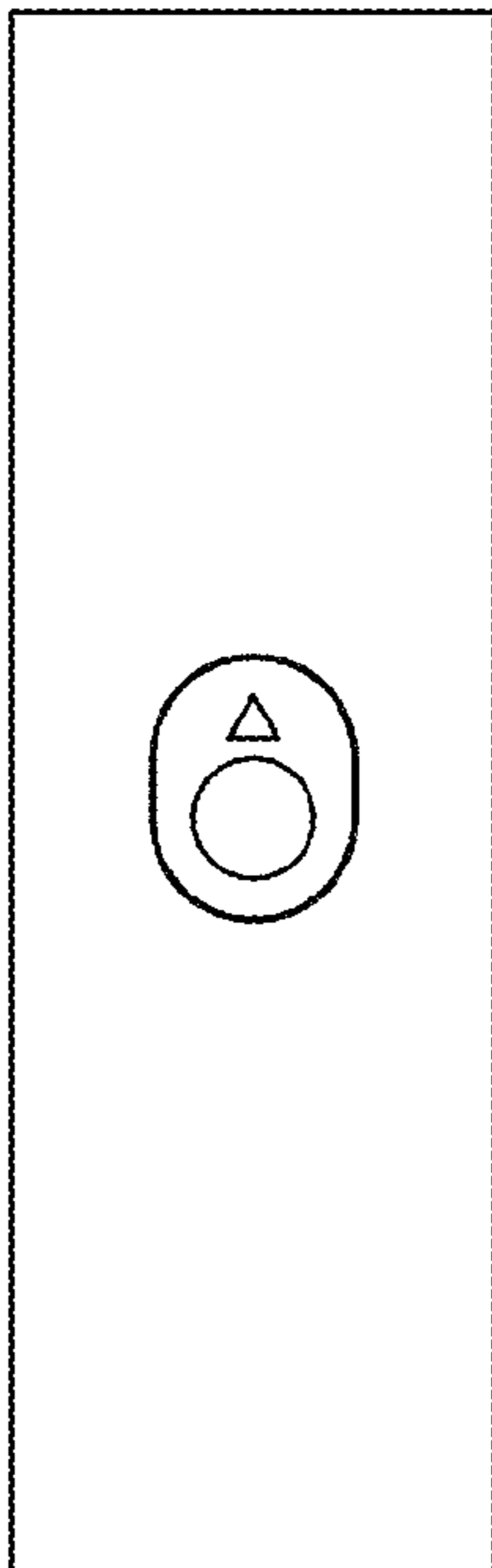


FIG. 189



FIG. 190



FIG. 191

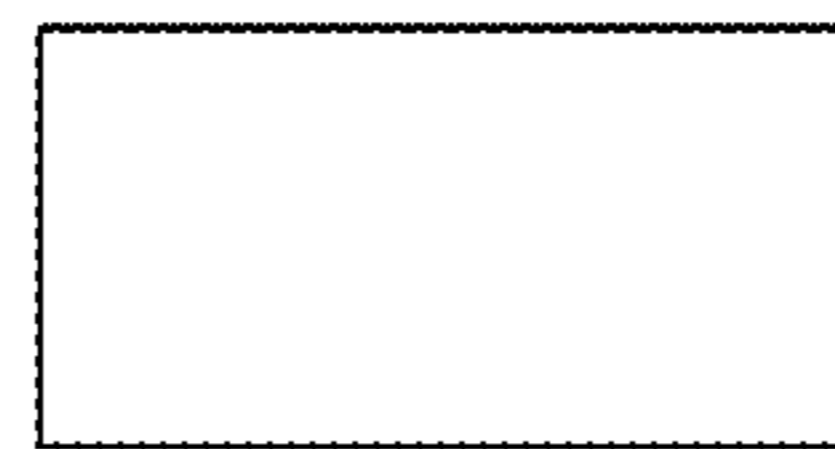


FIG. 192