



US00D918712S

(12) **United States Design Patent**
Bontrager et al.

(10) **Patent No.:** **US D918,712 S**

(45) **Date of Patent:** **** May 11, 2021**

(54) **FOOD CONTAINER**

(71) Applicant: **Zume, Inc.**, Camarillo, CA (US)

(72) Inventors: **Rick Bontrager**, Ventura, CA (US);
Casper Chiang, Danville, CA (US);
Jacob Patrick Flaherty, Scottsdale, AZ
(US); **Randall Strange**, Manteca, CA
(US)

(73) Assignee: **Zume, Inc.**, Camarillo, CA (US)

(**) Term: **15 Years**

(21) Appl. No.: **29/679,891**

(22) Filed: **Feb. 11, 2019**

(51) **LOC (13) Cl.** **09-03**

(52) **U.S. Cl.**
USPC **D9/428**

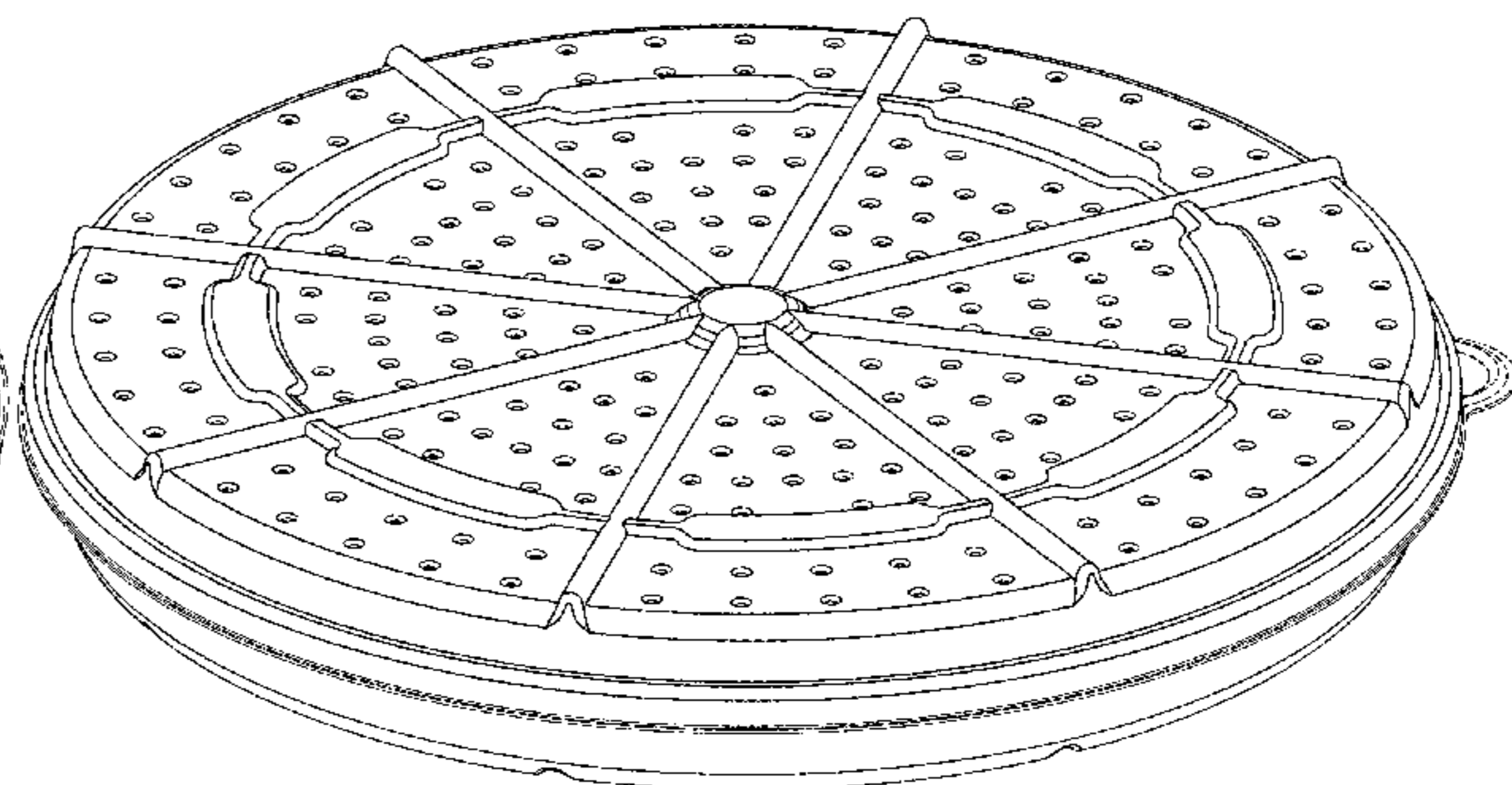
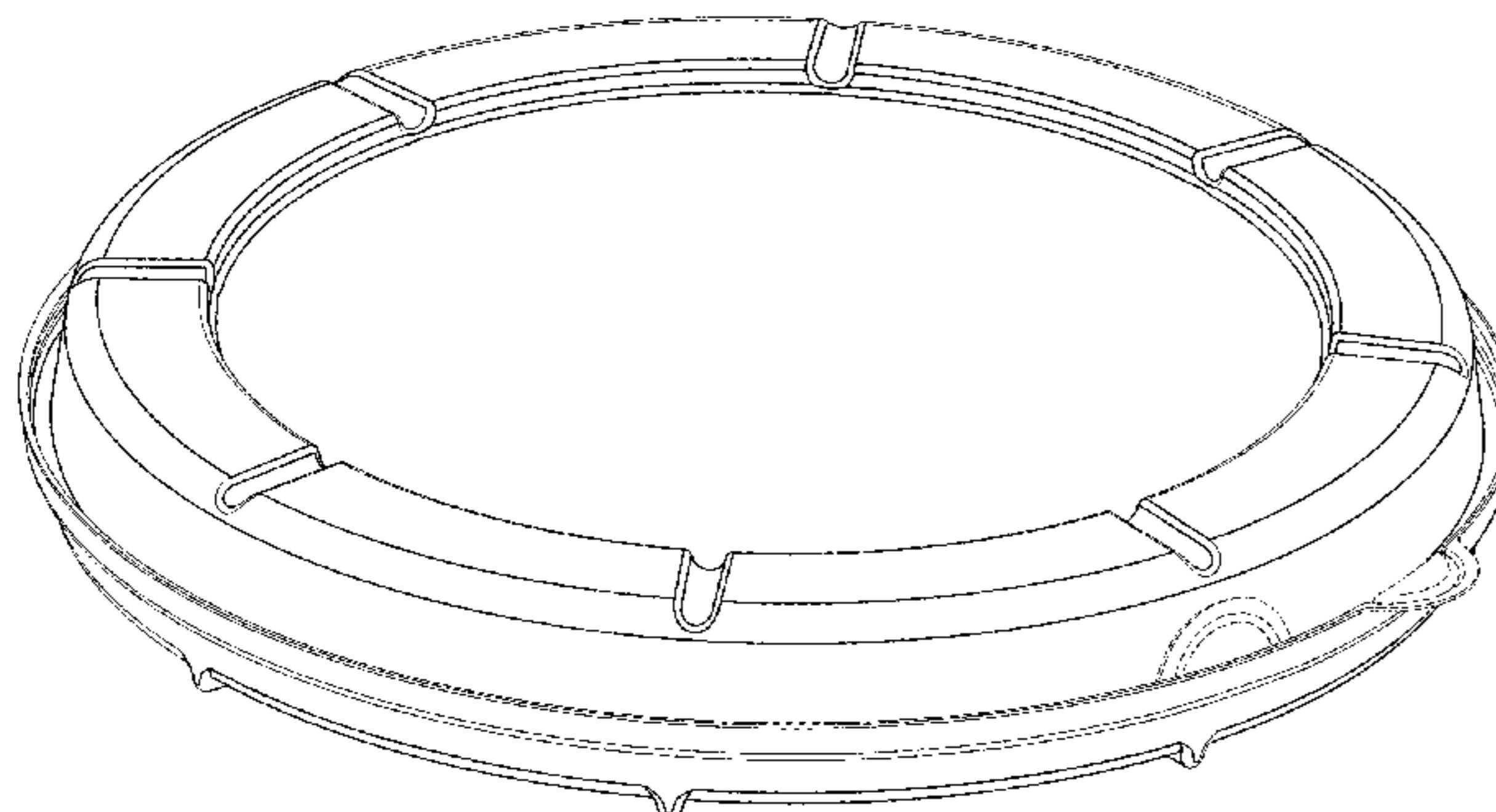
(58) **Field of Classification Search**
USPC D7/400, 601, 608; D9/416, 417, 420,
D9/425-429, 430, 432, 761; 206/499,
206/501, 502, 821; 220/625, 656, 669,
220/670, 674; 229/123.1, 123.2, 125.33,
229/125.35, 400-407, 915, 939
CPC . B65D 1/26; B65D 1/40; B65D 5/243; B65D
81/3453; B65D 2581/34; B65D
2581/3404; B65D 2581/3456
See application file for complete search history.

(56) **References Cited**

U.S. PATENT DOCUMENTS

- 132,808 A * 11/1872 Currier A47G 23/03
248/346.11
- 1,236,360 A 8/1917 Rice
- 1,587,288 A 6/1926 Dooly
- D171,866 S 6/1929 Smythe
- 2,301,510 A 11/1942 Bolen
- 3,132,423 A 5/1964 De Lano
- 3,155,303 A 11/1964 Fenkel
- 3,268,198 A 8/1966 Swett
- 3,392,468 A 7/1968 Wolf
- D215,766 S 10/1969 Dusek
- 3,664,256 A 5/1972 Peirce

- D223,854 S 6/1972 Swett
- 3,929,564 A 12/1975 Reifers
- 3,954,178 A 5/1976 Mason, Jr.
- 3,985,991 A 10/1976 Levinson
- D242,108 S 11/1976 Dart
- D243,912 S 4/1977 Daenen
- D244,065 S 4/1977 Daenen
- D245,384 S 8/1977 Ashton
- 4,061,241 A 12/1977 Retelny
- 4,120,398 A 10/1978 Braddon
- 4,127,189 A 11/1978 Shumrack et al.
- D252,008 S 6/1979 Jeambey
- 4,197,940 A 4/1980 DeRossett
- 4,360,118 A 11/1982 Stern
- 4,373,633 A 2/1983 Lutz, Sr.
- 4,373,636 A 2/1983 Hoffman
- 4,498,586 A 2/1985 Vitale
- 4,632,836 A 12/1986 Abbott et al.
- 4,656,068 A 4/1987 Raines
- 4,816,646 A 3/1989 Solomon et al.
- 4,886,179 A 12/1989 Volk
- D306,118 S 2/1990 Guerrero
- D307,243 S 4/1990 Baker
- 4,919,477 A 4/1990 Bingham et al.
- 5,101,997 A 4/1992 Bagwell et al.
- D333,754 S 3/1993 Conti
- 5,215,775 A 6/1993 Hoffman, Jr.
- 5,271,518 A 12/1993 Webb
- 5,273,174 A 12/1993 Fisher
- D348,219 S 6/1994 Goldberg
- D350,046 S 8/1994 Zimmerman
- 5,377,860 A 1/1995 Littlejohn et al.
- 5,411,140 A 5/1995 Byer
- 5,423,477 A 6/1995 Valdman et al.
- D361,594 S 8/1995 Salis
- D363,219 S * 10/1995 Borsboom D9/428
- 5,472,139 A 12/1995 Valdman et al.
- 5,518,133 A 5/1996 Hayes et al.
- D371,511 S 7/1996 Giarracca
- D373,704 S 9/1996 Doxey
- D375,261 S * 11/1996 Fiori D9/428
- 5,732,610 A 3/1998 Halladay et al.
- D393,801 S 4/1998 Hayes et al.
- D394,005 S 5/1998 Marijnissen
- D395,599 S 6/1998 Wyslotsky
- D398,846 S 9/1998 Wyslotsky
- D398,847 S 9/1998 Wyslotsky et al.
- D398,848 S 9/1998 Wyslotsky
- D400,394 S 11/1998 Banach et al.
- 5,873,294 A 2/1999 Scuito
- 5,878,904 A 3/1999 Schweigert
- D415,652 S 10/1999 Loew
- 5,997,924 A 12/1999 Olander, Jr. et al.



US D918,712 S

D433,334 S	11/2000	Hayes et al.		9,387,786 B2	7/2016	Weiner et al.	
D438,466 S	3/2001	Fletcher et al.		9,446,889 B2	9/2016	Lopes et al.	
D440,490 S	4/2001	Lizzio		D769,051 S	10/2016	Lee	
6,257,434 B1	7/2001	Lizzio		D769,057 S	10/2016	Lee	
D473,791 S	4/2003	Loris		D769,058 S	10/2016	Lee	
6,568,586 B1	5/2003	Van Esley et al.		9,504,340 B2	11/2016	Starr	
6,601,758 B2	8/2003	Lizzio		D774,900 S	12/2016	Longoni et al.	
6,627,862 B1	9/2003	Pedersen		9,522,761 B2	12/2016	Baker et al.	
D482,283 S	11/2003	Wichmann et al.		D775,500 S	1/2017	Hogeback	
D484,412 S	12/2003	Willis		D795,069 S	8/2017	Haddad	
D484,749 S	1/2004	Garraway		D795,070 S	8/2017	Haddad	
D502,050 S	2/2005	Munson et al.		9,730,555 B1	8/2017	Lee	
6,858,243 B2	2/2005	Blanchet et al.		D801,176 S	10/2017	Lynd et al.	
6,886,704 B2	5/2005	Hayes		9,815,191 B2	11/2017	Oleynik	
6,902,057 B2 *	6/2005	Duffy	A61M 25/002	D804,322 S	12/2017	Fox et al.	
			206/364	D804,962 S	12/2017	Fox et al.	
D507,078 S	7/2005	Greenfiled		D806,575 S	1/2018	Collins et al.	
6,957,111 B2	10/2005	Zhu et al.		D811,214 S	2/2018	Wu	
D511,096 S	11/2005	Demaggio		D827,452 S	9/2018	Collins et al.	
D524,662 S	7/2006	Fager		D828,161 S	9/2018	Collins et al.	
D532,689 S	11/2006	Rotta		D829,512 S	10/2018	Masanek, Jr.	
D535,143 S	1/2007	Kortleven		D833,204 S	11/2018	Lee	
D546,128 S	7/2007	Carlson		10,213,048 B2	2/2019	Lee	
D547,602 S	7/2007	Yamasaki		D843,207 S	3/2019	Das et al.	
D549,050 S	8/2007	Spencer et al.		D859,936 S	9/2019	Buck	
D553,819 S *	10/2007	Brothers	D30/129	D861,422 S	10/2019	Collins	
D556,567 S	12/2007	Templeton		D866,249 S	11/2019	Chiang	
D562,135 S	2/2008	Studee		D872,599 S	1/2020	Krueger	
D563,785 S	3/2008	Maki et al.		D884,486 S	5/2020	Chiang	
D573,466 S	7/2008	White et al.		10,654,640 B2	5/2020	Chiang	
D575,112 S *	8/2008	Since	D7/552.2	2002/0037378 A1	3/2002	Littlejohn	
7,505,929 B2	3/2009	Angert et al.		2002/0040862 A1	4/2002	Lizzio	
D598,714 S	8/2009	Aagaard		2002/0048624 A1	4/2002	Blanchet et al.	
7,678,036 B1	3/2010	Malitas et al.		2002/0148845 A1	10/2002	Zettle et al.	
D618,562 S	6/2010	Bizzell		2003/0037681 A1	2/2003	Zhu et al.	
D620,765 S	8/2010	Sudia		2005/0109653 A1	5/2005	Wnek et al.	
D620,766 S	8/2010	Sudia		2005/0189350 A1	9/2005	Hayes et al.	
D621,650 S	8/2010	DeLeo		2005/0193901 A1	9/2005	Buehler	
7,778,773 B2	8/2010	Yaqub et al.		2006/0175223 A1	8/2006	Casanovas	
D623,061 S *	9/2010	Wong	D9/454	2006/0213916 A1	9/2006	Brown et al.	
D632,957 S *	2/2011	Kirsch	D9/428	2006/0226669 A1	10/2006	Tong et al.	
7,884,306 B2	2/2011	Leach		2007/0241110 A1	10/2007	Belleggia	
7,900,793 B2	3/2011	Hanson et al.		2007/0295631 A1	12/2007	Lin	
7,942,268 B2 *	5/2011	Manca	B65D 51/1611	2008/0023459 A1	1/2008	Leach	
			206/551	2008/0128313 A1	6/2008	Anderson	
D641,233 S	7/2011	Pugh		2008/0275643 A1	11/2008	Yaqub et al.	
7,984,667 B2	7/2011	Freudinger		2009/0048890 A1	2/2009	Burgh	
D644,118 S *	8/2011	Giles	D9/667	2009/0057381 A1	3/2009	Gokhale	
D645,711 S	9/2011	Sudia		2010/0065562 A1	3/2010	Vovan	
D653,906 S	2/2012	Bull		2010/0122930 A1	5/2010	Manca	
D653,907 S	2/2012	Backaert et al.		2010/0170899 A1	7/2010	Mithal et al.	
8,343,560 B2	1/2013	Blythe et al.		2010/0200591 A1	8/2010	Myerscough	
8,430,262 B2	4/2013	Corbett et al.		2011/0036846 A1	2/2011	Corbett et al.	
D684,046 S	6/2013	Meyer		2011/0086141 A1	4/2011	Strilich et al.	
D684,462 S	6/2013	Hite		2011/0220652 A1	9/2011	Corbett et al.	
8,549,432 B2	10/2013	Warner		2012/0006842 A1	1/2012	Overgaag	
8,561,823 B1	10/2013	Krupa		2012/0024859 A1	2/2012	Longoni	
D696,066 S	12/2013	Parikh		2012/0024897 A1	2/2012	Corbett et al.	
D699,106 S	2/2014	Glaser		2012/0031901 A1	2/2012	Dudson et al.	
D701,567 S	3/2014	Abdullah		2012/0175367 A1	7/2012	Lopes et al.	
8,663,419 B2	3/2014	Corbett et al.		2012/0234717 A1 *	9/2012	Kirkland	B65D 1/36
8,807,377 B2	8/2014	Corbett et al.					206/488
D714,101 S *	9/2014	Gartz	B65D 85/36				
			D7/610	2012/0298673 A1	11/2012	Chen	
8,858,858 B2	10/2014	Middleton et al.		2013/0313257 A1	11/2013	Gartz et al.	
D720,227 S	12/2014	Corbett et al.		2014/0370167 A1	12/2014	Garden	
D722,814 S *	2/2015	Heiberg	D7/391	2015/0068945 A1	3/2015	Baker et al.	
8,991,635 B2	3/2015	Myerscough		2015/0068946 A1	3/2015	Baker et al.	
9,005,348 B2	4/2015	Ott		2015/0109653 A1	4/2015	Greer et al.	
9,010,621 B2	4/2015	Baker et al.		2015/0290795 A1	10/2015	Oleynik	
9,073,666 B2	7/2015	Petlak et al.		2015/0343933 A1	12/2015	Weiner et al.	
9,114,916 B2	8/2015	Knipe		2016/0162833 A1	6/2016	Garden	
9,126,717 B2	9/2015	Myerscough		2016/0214778 A1	7/2016	Goodsell et al.	
9,126,719 B2	9/2015	Corbett et al.		2017/0275077 A1	9/2017	Chiang et al.	
D747,221 S	1/2016	Changpan		2018/0022523 A1	1/2018	Noferi	
D748,329 S	1/2016	Bagai et al.		2018/0071939 A1	3/2018	Garden et al.	
D749,906 S	2/2016	Lee		2018/0105344 A1	4/2018	Chiang	
9,292,889 B2	3/2016	Garden		2018/0121037 A1	5/2018	Wajda et al.	
D761,103 S	7/2016	Lebon					

2018/0215523 A1 8/2018 Chiang
 2019/0009968 A1 1/2019 Chiang
 2019/0300263 A1 10/2019 Chiang

FOREIGN PATENT DOCUMENTS

AU	1977025870	6/1976
AU	2018211256	8/2018
CN	301396948 S	12/2010
EP	0989067	3/2000
EP	2230184	9/2010
EP	2243723	10/2010
EP	3006370	7/2018
JP	07-002285 U	1/1995
JP	2002-347944	12/2002
JP	5244344	7/2013
KR	20-0360448	8/2004
KR	10-2009-0098949	9/2009
KR	10-2015-0121771	10/2015
KR	30-0990068	1/2019
WO	2012/005683	1/2012
WO	2015/006649	1/2015

OTHER PUBLICATIONS

U.S. Appl. No. 15/465,228, Office Action dated Feb. 26, 2020, 27 pages.
 U.S. Appl. No. 15/936,069, Notice of Allowance dated Mar. 4, 2020, 5 pages.
 U.S. Appl. No. 16/029,047, Notice of Allowance dated Mar. 11, 2020, 2 pages.
 U.S. Appl. No. 29/558,874, Ex Parte Quayle Action mailed Feb. 27, 2020, 11 pages.
 U.S. Appl. No. 29/656,406, Notice of Allowance dated Mar. 25, 2020, 2 pages.
 U.S. Appl. No. 29/700,713, Notice of Allowance dated Apr. 8, 2020, 8 pages.
 U.S. Appl. No. 29/558,872, Notice of Allowance dated Mar. 27, 2020, 7 pages.
 U.S. Appl. No. 29/698,689, Notice of Allowance dated Apr. 6, 2020, 5 pages.
 U.S. Appl. No. 15/845,916, Office Action dated Apr. 13, 2020, 22 pages.
 U.S. Appl. No. 16/029,047, Notice of Allowance dated Apr. 3, 2020, 2 pages.
 U.S. Appl. No. 29/558,874 Notice of Allowance dated Jun. 2, 2020, 7 pages.
 U.S. Appl. No. 15/936,069, Notice of Allowance dated May 7, 2020, 2 pages.
 PCT International Preliminary Report on Patentability in Application PCT/US2018/040749, dated Jan. 16, 2020, 20 pages.
 U.S. Appl. No. 16/029,047, Notice of Allowance dated Jan. 13, 2020, 7 pages.
 U.S. Appl. No. 29/558,872, Ex-Parte Quayle Action mailed Nov. 18, 2019, 10 pages.
 Casper W. Chang et al., "Container for Transport and Storage of Food Products," U.S. Appl. No. 62/311,787, filed Mar. 22, 2016, 50 pages.
 Core77 "Notable Packaging Award: Core77 Design Awards 2017, Zume Pizza 'Pizza Pod'" May 14, 2017, <https://web.archive.org/web/20170614144555/http://designawards.core77.com/Packaging/62804/Zume-Pizza-Pod>, downloaded on Mar. 26, 2018, 4 pages.
 Divya, "Sealed Air and Kuraray to Invest in Capacity at Simpsonville Facility to Produce Plant-Based Food Packaging", Mar. 22, 2019, located online on May 8, 2019 at: [https://packaging360.in/news/sealed-air-invests-in-to-simpsonville-facility-to-produce-pla . . .](https://packaging360.in/news/sealed-air-invests-in-to-simpsonville-facility-to-produce-pla...), 7 pages.
 DuPont, "Compostable "Pizza Pod" (Zume Pizza, USA)—Diamond Finalist Award," May 22, 2017, downloaded from <http://www.dupont.com/industries/packaging-and-printing/media/press-kits/2017-packaging-awards/mc-image-detail/compostable-pizza-pod.html> on Apr. 20, 2018, 1 page.
 Entis et al., "This Robot-Made Pizza Is Baked in the Van on the Way to Your Door," Sep. 29, 2016, downloaded from <http://fortune.com/>

2016/09/29/this-robot-made-pizza-is-baked-in-the-van-on-the-way-to-your-front-door/ on Apr. 20, 2018, 1 page.
 Farkya, "Compostable Pizza Pod," Nov. 14, 2016, downloaded from <http://www.packagingconnections.com/news/compostable-pizzapod.htm> on Apr. 20, 2018, 7 pages.
 Garden, "Systems and Methods of Preparing Food Products," Notice of Allowance, dated Jan. 7, 2016, for U.S. Appl. No. 13/920,998, 9 pages.
 Garden, "Systems and Methods of Preparing Food Products," U.S. Appl. No. 15/040,866, filed Feb. 10, 2016, 71 pages.
 Garden, "Systems and Methods of Preparing Food Products," Advisory Action, dated Aug. 27, 2015, for U.S. Appl. No. 13/920,998, 3 pages.
 Garden, "Systems and Methods of Preparing Food Products," Advisory Action, dated Jul. 29, 2015, for U.S. Appl. No. 13/920,998, 3 pages.
 Garden, "Systems and Methods of Preparing Food Products," Amendment, filed Apr. 2, 2015, for U.S. Appl. No. 13/920,998, 23 pages.
 Garden, "Systems and Methods of Preparing Food Products," Amendment, filed Aug. 10, 2015, for U.S. Appl. No. 13/920,998, 29 pages.
 Garden, "Systems and Methods of Preparing Food Products," Amendment, filed Jul. 22, 2015, for U.S. Appl. No. 13/920,998, 29 pages.
 Garden, "Systems and Methods of Preparing Food Products," Amendment, filed Sep. 25, 2015, for U.S. Appl. No. 13/920,998, 29 pages.
 Garden, "Systems and Methods of Preparing Food Products," Office Action, dated Mar. 16, 2015, for U.S. Appl. No. 13/920,998, 28 pages.
 Garden, "Systems and Methods of Preparing Food Products," Office Action, dated May 27, 2015, for U.S. Appl. No. 13/920,998, 31 pages.
 Gardner, "Systems and Methods of Preparing Food Products," Response to Restriction Requirement, filed Oct. 24, 2014, for U.S. Appl. No. 13/920,998, 3 pages.
 Gardner, "Systems and Methods of Preparing Food Products," Restriction Requirement, dated Sep. 10, 2014, for U.S. Appl. No. 13/920,998, 5 pages.
 Molina, "Yes, Apple really did patent its own pizza box," May 17, 2017, downloaded from <https://www.usatoday.com/story/tech/talkingtech/2017/05/17/apple-patented-its-own-pizza-box/327267001/> on Apr. 20, 2018, 2 pages.
 Notice of Allowance dated Feb. 13, 2019 issued in U.S. Appl. No. 29/558,874, 10 pages.
 Notice of Allowance, dated Jul. 24, 2018, for U.S. Appl. No. 29/618,670, Collins et al., "Food Container," 2 pages.
 Notice of Allowance, dated Jun. 6, 2018, for U.S. Appl. No. 29/618,670, Collins et al., "Food Container," 2 pages.
 Notice of Allowance, dated May 31, 2018, for U.S. Appl. No. 29/574,805, Collins et al., "Food Container Cover," 2 pages.
 Notice of Allowance, dated Apr. 25, 2018, for U.S. Appl. No. 29/618,670, Collins et al., "Food Container" 7 pages.
 Notice of Allowance, dated May 9, 2018, for U.S. Appl. No. 29/574,805, Collins et al., "Food Container and Cover", 10 pages.
 Office Action dated Aug. 28, 2018 issued in U.S. Appl. No. 15/845,916, 24 pages.
 Office Action dated Aug. 30, 2018 issued in U.S. Appl. No. 15/936,069, 14 pages.
 Office Action dated Dec. 20, 2018 issued in U.S. Appl. No. 15/465,228, 27 pages.
 PCT International Search Report and Written Opinion in International Application PCT/US2018/040730, dated Nov. 14, 2018, 22 pages.
 PCT International Search Report and Written Opinion of the International Searching Authority, dated Jun. 26, 2017, for International Application No. PCT/US2017/023408, 17 pages.
 PCT International Search Report, dated Oct. 22, 2014, for International Application No. PCT/US2014/042879, 3 pages.
 PCT Search Report and Written Opinion dated Nov. 16, 2018 issued in International Patent Application No. PCT/US2018/040749, 24 pages.

PCT Written Opinion of the International Searching Authority, dated Oct. 22, 2014, for International Application No. PCT/US2014/042879, 8 pages.

PW Staff, "Humanitarian initiative wins top DuPont Award," Jul. 5, 2017, downloaded from <https://www.packworld.com/article/trendsand-issues/global/humanitarian-initiative-wins-top-dupont-award> on Apr. 20, 2018, 12 pages.

Robinson, "This robot-made pizza in Silicon Valley should terrify Domino's and Pizza Hut," Sep. 29, 2016, downloaded from <https://sg.finance.yahoo.com/news/robot-made-pizza-silicon-valley-16400825.html?guccounter=1> on Apr. 20, 2018, 12 pages.

U.S. Appl. No. 15/465,228, Amendment and Response filed Apr. 18, 2019, 16 pages.

U.S. Appl. No. 15/845,916, Amendment and Response filed Dec. 28, 2018, 17 pages.

U.S. Appl. No. 15/845,916, Office Action dated Apr. 8, 2019, 25 pages.

U.S. Appl. No. 15/936,069, Amendment and Response filed Nov. 28, 2018, 14 pages.

U.S. Appl. No. 15/936,069, Office Action dated Mar. 14, 2019, 17 pages.

U.S. Appl. No. 29/558,872, Amendment and Response filed Feb. 1, 2019, 23 pages.

U.S. Appl. No. 29/558,872, Office Action dated Nov. 1, 2018, 15 pages.

U.S. Appl. No. 29/558,872, Response to Restriction Requirement filed Aug. 16, 2018, 7 pages.

U.S. Appl. No. 29/558,872, Restriction Requirement dated May 17, 2018, 12 pages.

U.S. Appl. No. 29/558,873, Ex Parte Quayle Action mailed Sep. 6, 2018, 9 pages.

U.S. Appl. No. 29/558,873, Notice of Allowance dated Feb. 8, 2019, 9 pages.

U.S. Appl. No. 29/558,873, Response filed Nov. 6, 2018, 18 pages.

U.S. Appl. No. 29/558,873, Response to Restriction Requirement filed Jul. 17, 2018, 16 pages.

U.S. Appl. No. 29/558,873, Restriction Requirement dated May 17, 2018, 9 pages.

U.S. Appl. No. 29/558,874, Ex Parte Quayle Action mailed Sep. 6, 2018, 10 pages.

U.S. Appl. No. 29/558,874, Notice of Allowance dated Feb. 13, 2019, 10 pages.

U.S. Appl. No. 29/558,874, Restriction Requirement dated Apr. 27, 2018, 10 pages.

U.S. Appl. No. 29/574,802, Amendment and Response filed Aug. 3, 2017, 7 pages.

U.S. Appl. No. 29/574,802, Notice of Allowance dated Aug. 25, 2017, 5 pages.

U.S. Appl. No. 29/574,802, Office Action dated Jun. 1, 2017, 9 pages.

U.S. Appl. No. 29/574,805, Notice of Allowance dated Jul. 23, 2018, 2 pages.

U.S. Appl. No. 29/574,808, Amendment and Response filed Dec. 21, 2018, 15 pages.

U.S. Appl. No. 29/574,808, Office Action dated Sep. 21, 2018, 11 pages.

U.S. Appl. No. 29/574,808, Response to Restriction Requirement filed Aug. 1, 2018, 1 page.

U.S. Appl. No. 29/574,808, Restriction Requirement dated Jun. 1, 2018, 9 pages.

Wiener, "Food Movers: The Secret Evolution of the Pizza Box," Feb. 2016, downloaded from <https://www.foodandcity.org/evolution-pizza-box/> on Apr. 20, 2018, 14 pages.

World Centric website, "New PizzaRound from World Centric: The Pizza Box Comes Full Circle", Petaluma, CA, USA, published Mar. 15, 2018, 2 pages, located online on May 2, 2019 at: <http://www.worldcentric.org/node/442>.

Zume Pizza Homepage: Announced 2015 [Online]. Site Visited [Apr. 20, 2018]. Available from Internet URL: <https://zumepizza.com/>, 7 pages.

European Search Report in Application 17770987.0, dated Feb. 12, 2019, 8 pages.

U.S. Appl. No. 29/558,872, Notice of Allowance dated May 10, 2019, 9 pages.

U.S. Appl. No. 29/574,808, Notice of Allowance dated May 13, 2019, 5 pages.

Kelley, Mary K., "Caffeine Fix: The Design of Coffee Cup Lids", from Mary Kate's Experience with Human Factors, found online at: <https://sites.tufts.edu/mkelleyhfintro/2018/04/12/caffeine-fix-the-design-of-coffee-cup-lids/>, Apr. 12, 2018, 8 pages.

U.S. Appl. No. 29/656,406, Notice of Allowance dated Jan. 23, 2020, 10 pages.

U.S. Appl. No. 29/698,689, Office Action dated Oct. 24, 2019, 12 pages.

U.S. Appl. No. 29/656,406, Notice of Allowance dated Jun. 20, 2019, 12 pages.

U.S. Appl. No. 29/574,808, Notice of Allowance dated Jun. 10, 2019, 10 pages.

U.S. Appl. No. 29/558,872, Notice of Allowance dated Jun. 26, 2019, 14 pages.

U.S. Appl. No. 29/558,873, Notice of Allowance dated Jun. 26, 2019, 11 pages.

U.S. Appl. No. 29/656,406, Notice of Allowance dated Aug. 6, 2019, 2 pages.

U.S. Appl. No. 15/845,916, Office Action dated Aug. 14, 2019, 23 pages.

U.S. Appl. No. 15/936,069, Office Action dated Aug. 14, 2019, 16 pages.

U.S. Appl. No. 15/465,228, Office Action dated Jul. 18, 2019, 26 pages.

U.S. Appl. No. 16/029,047, Office Action dated Aug. 7, 2019, 6 pages.

PCT International Search Report and Written Opinion in International Application PCT/US2020/013580, dated Jun. 26, 2020, 20 pages.

PCT International Search Report and Written Opinion in International Application PCT/US2020/013569, dated Jun. 26, 2020, 21 pages.

* cited by examiner

Primary Examiner — Janice Patyk

(57) **CLAIM**

The ornamental design for a food container, as shown and described.

DESCRIPTION

FIG. 1 is a top perspective view of a food container, showing our new design.

FIG. 2 is a bottom perspective view thereof.

FIG. 3 is a top plan view thereof.

FIG. 4 is a front view thereof.

FIG. 5 is a right side view thereof.

FIG. 6 is a left side view thereof.

FIG. 7 is a rear view thereof.

FIG. 8 is a bottom plan view thereof.

FIG. 9 is a top perspective view thereof, shown without a base for ease of illustration.

FIG. 10 is a bottom perspective view thereof, shown without the base for ease of illustration.

FIG. 11 is a top plan view thereof, shown without the base for ease of illustration.

FIG. 12 is a front view thereof, shown without the base for ease of illustration.

FIG. 13 is a right side view thereof, shown without the base for ease of illustration.

FIG. 14 is a left side view thereof, shown without the base for ease of illustration.

FIG. 15 is a rear view thereof, shown without the base for ease of illustration.

FIG. 16 is a bottom plan view thereof, shown without the base for ease of illustration.

FIG. 17 is a top perspective view thereof, shown without a lid for ease of illustration.

FIG. 18 is a bottom perspective view thereof, shown without the lid for ease of illustration.

FIG. 19 is a top plan view thereof, shown without the lid for ease of illustration.

FIG. 20 is a front view thereof, shown without the lid for ease of illustration.

FIG. 21 is a right side view thereof, shown without the lid for ease of illustration.

FIG. 22 is a left side view thereof, shown without the lid for ease of illustration.

FIG. 23 is a rear view thereof, shown without the lid for ease of illustration; and,

FIG. 24 is a bottom plan view thereof, shown without the lid for ease of illustration.

The broken lines in the figures illustrate the portions of the design that form no part of the claimed design.

1 Claim, 18 Drawing Sheets

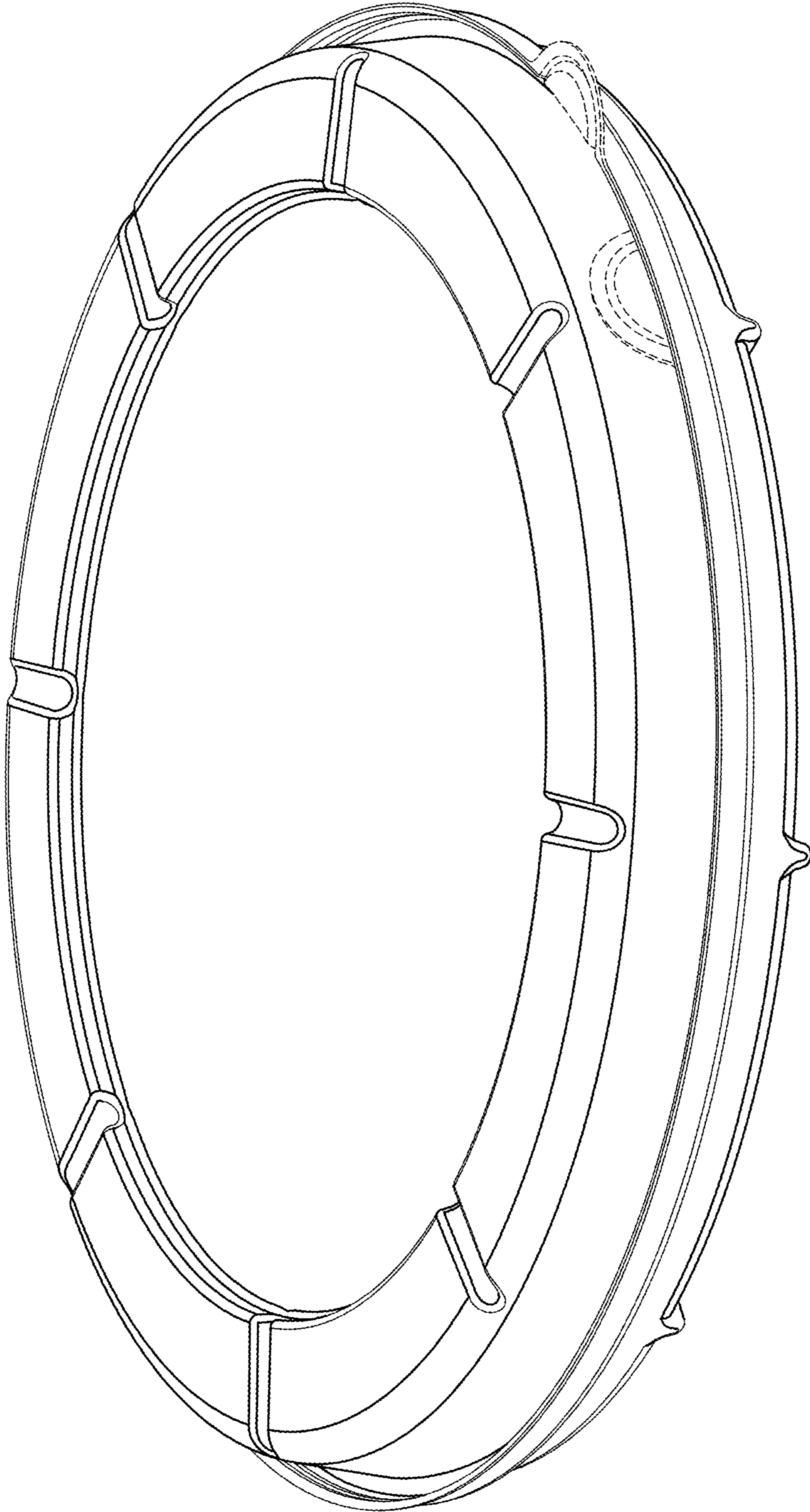


FIG.1

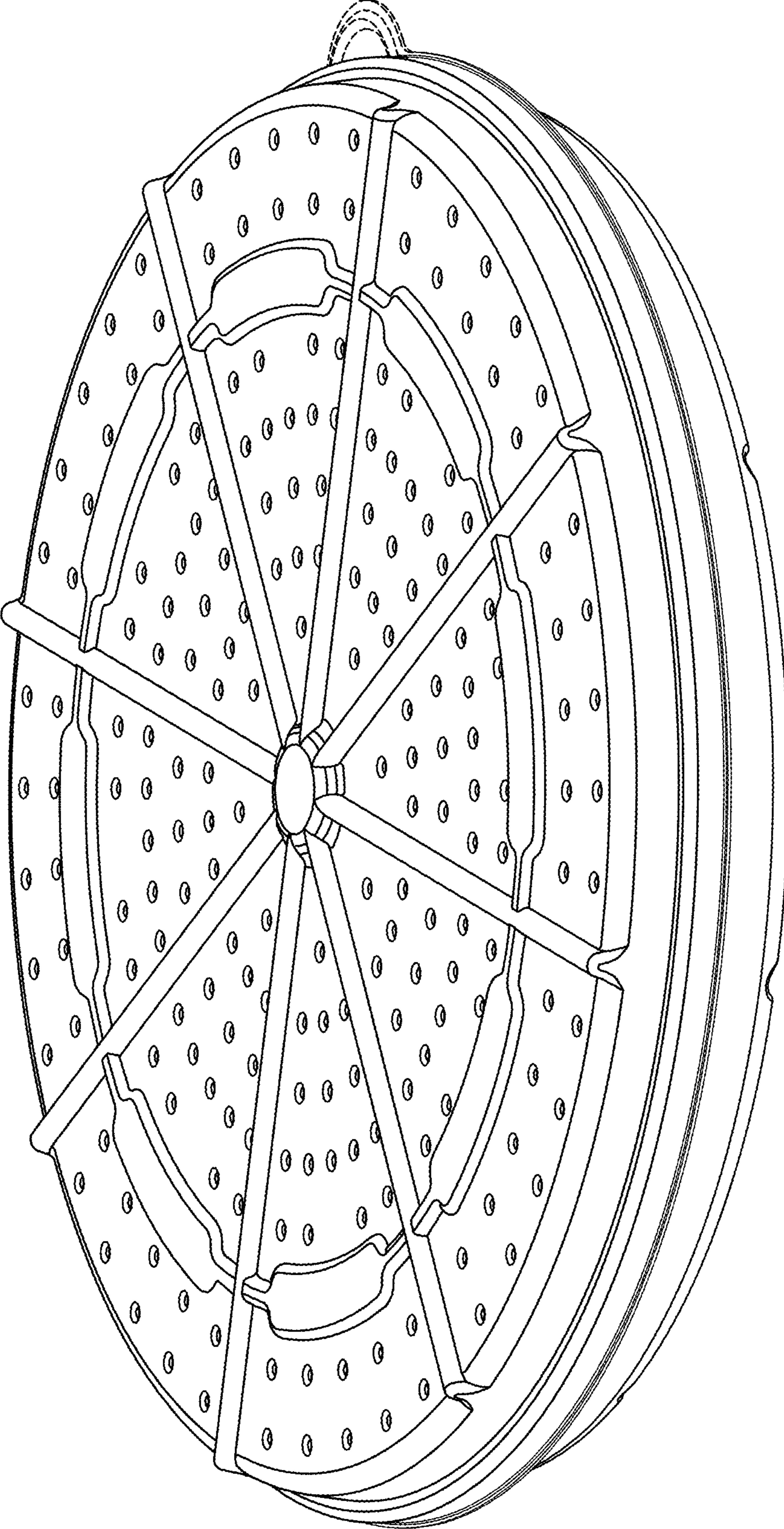


FIG.2

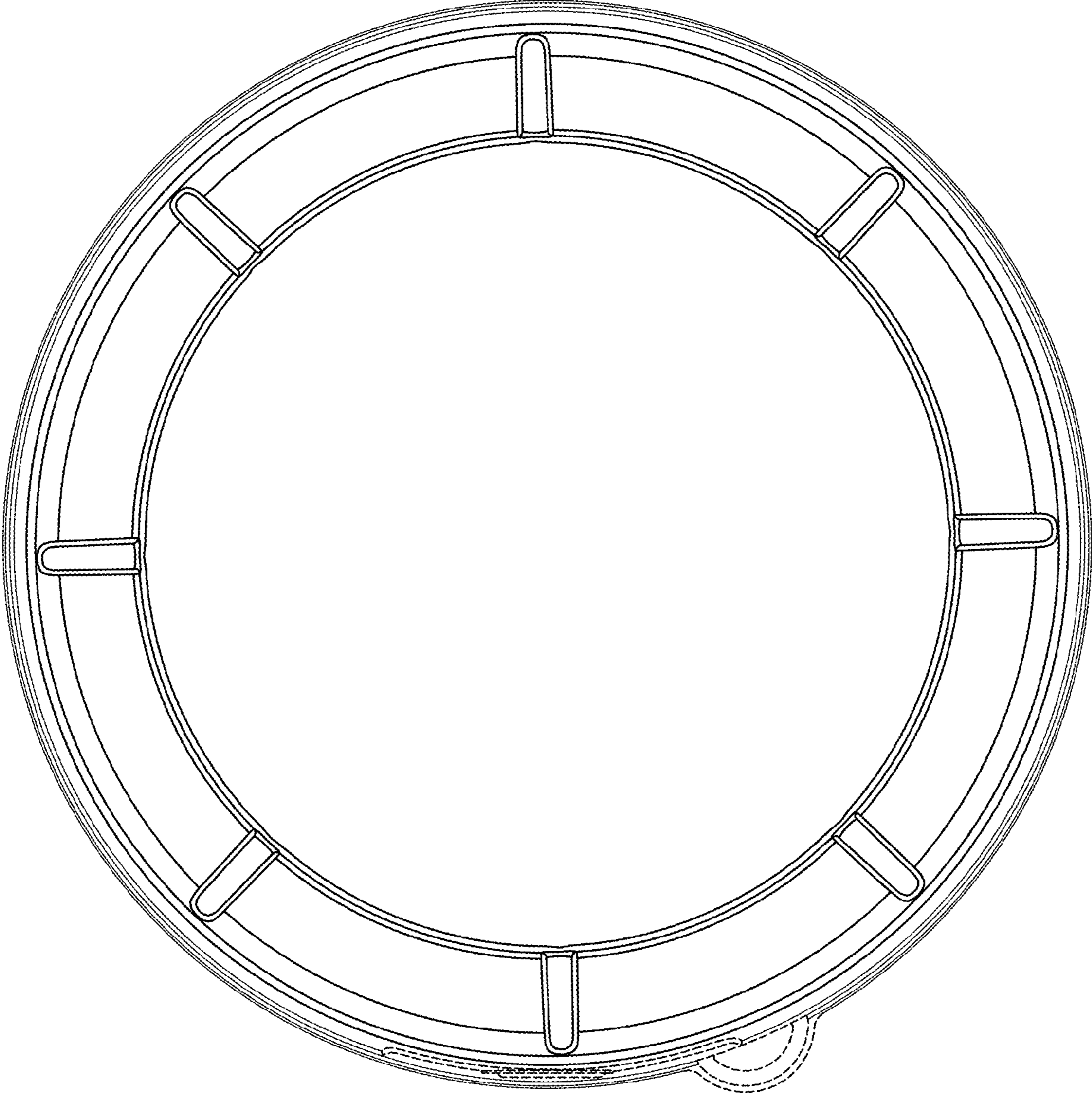


FIG.3

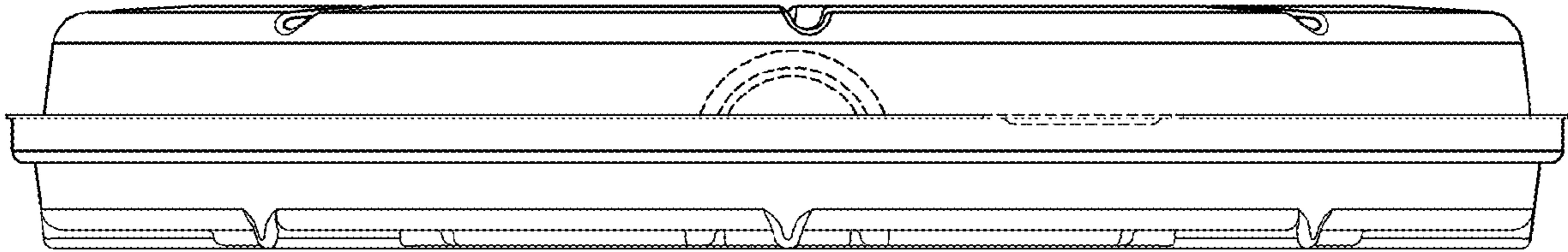


FIG. 4

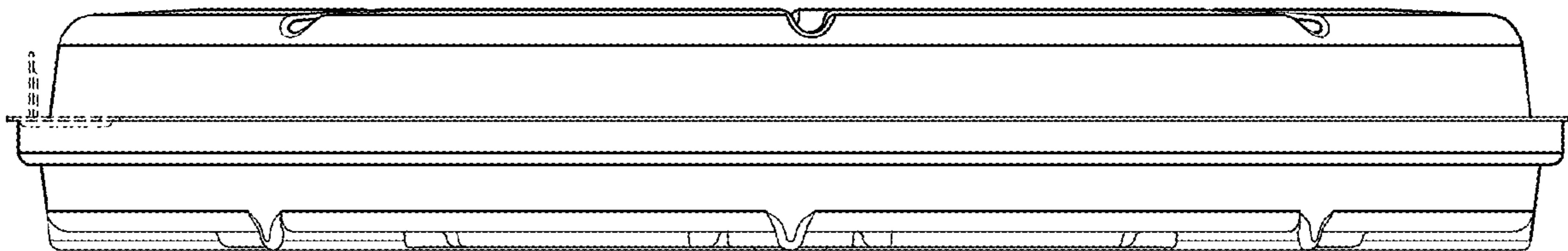


FIG. 5

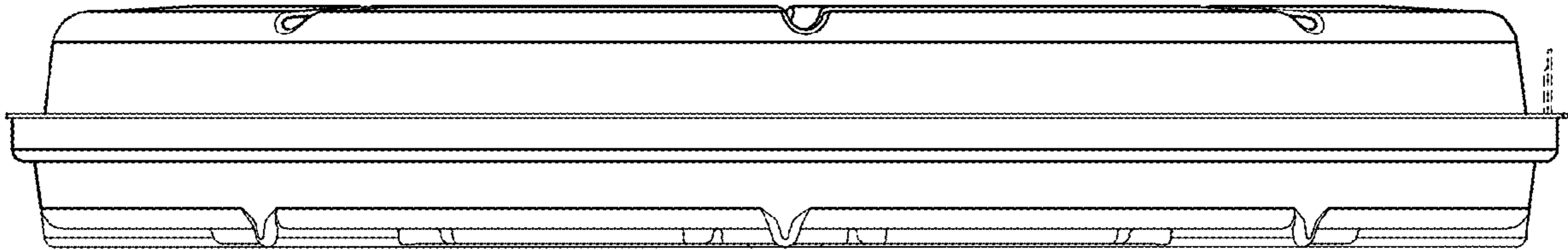


FIG. 6

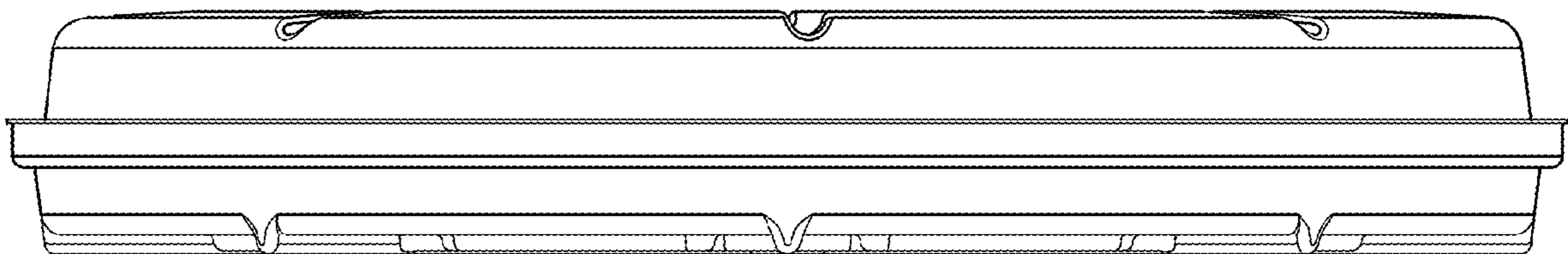


FIG. 7

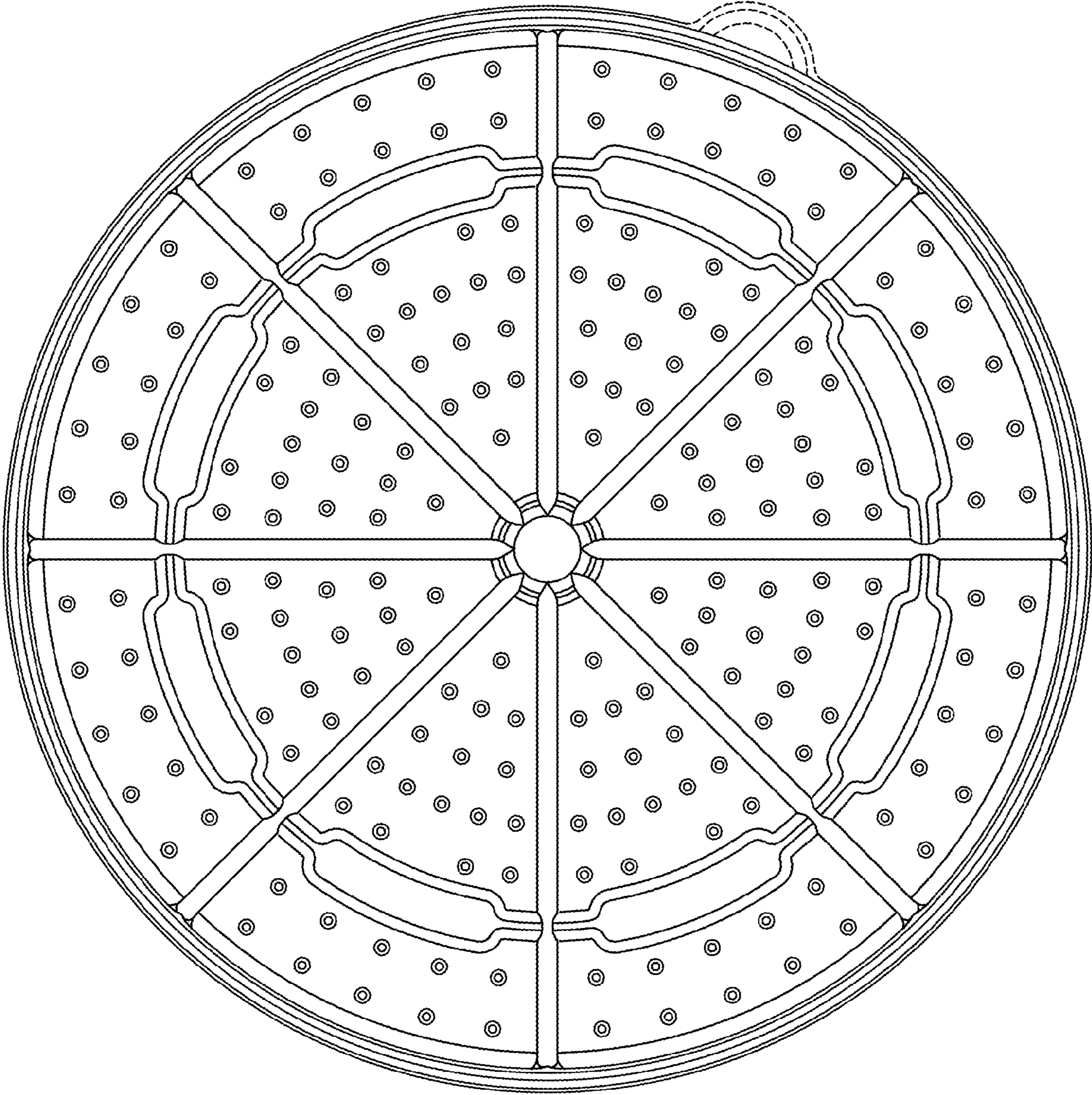


FIG.8

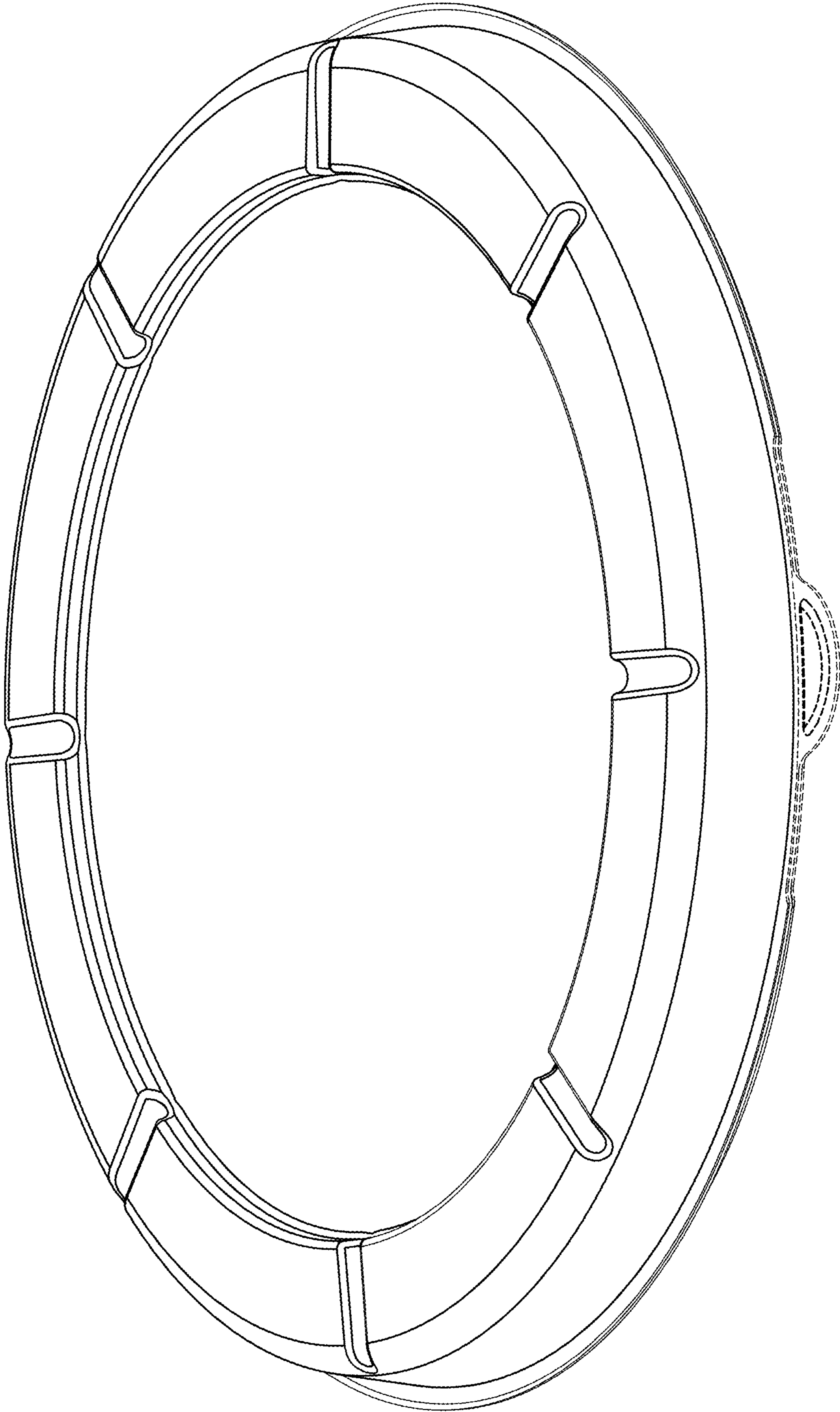


FIG.9

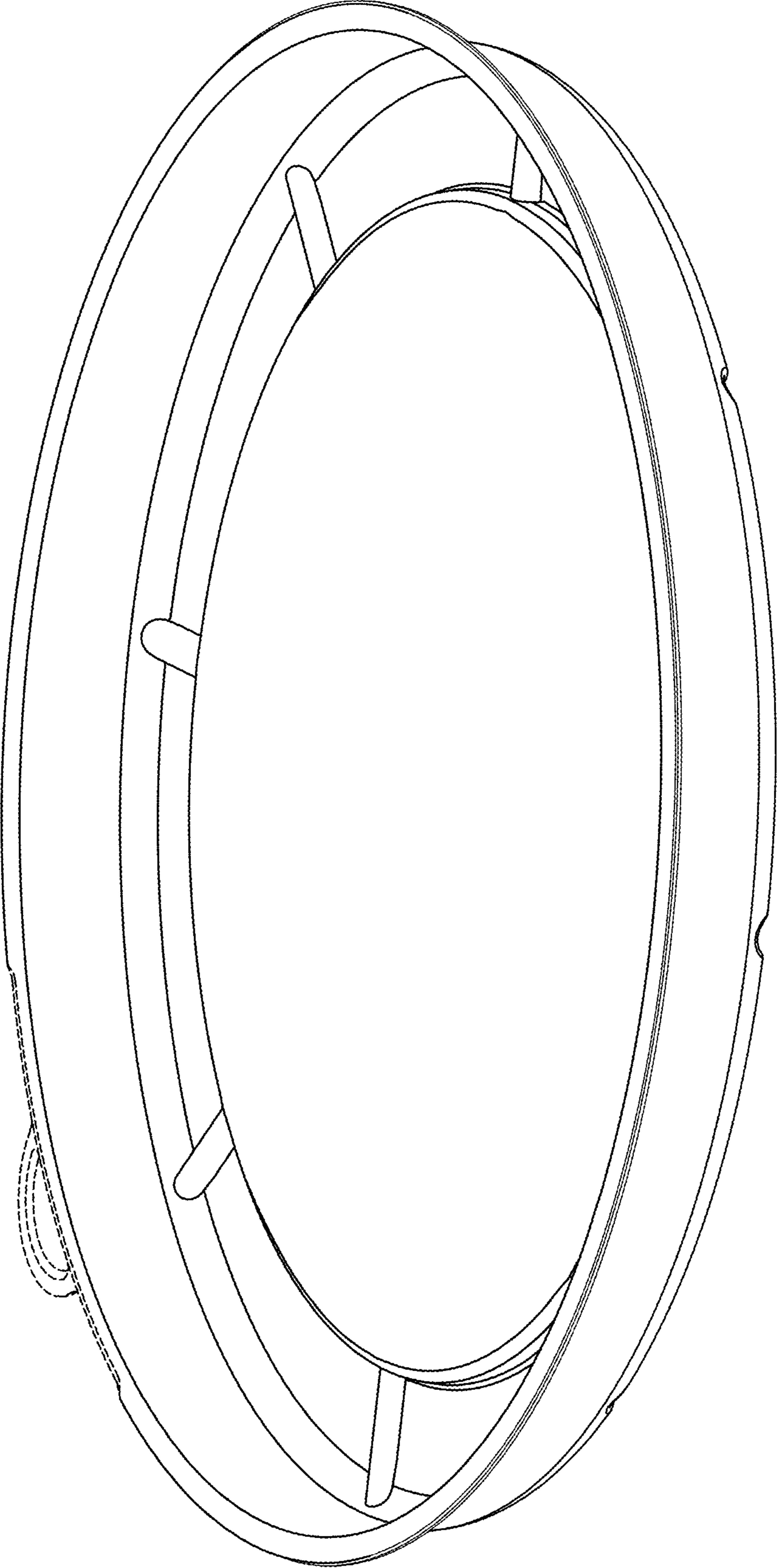


FIG.10

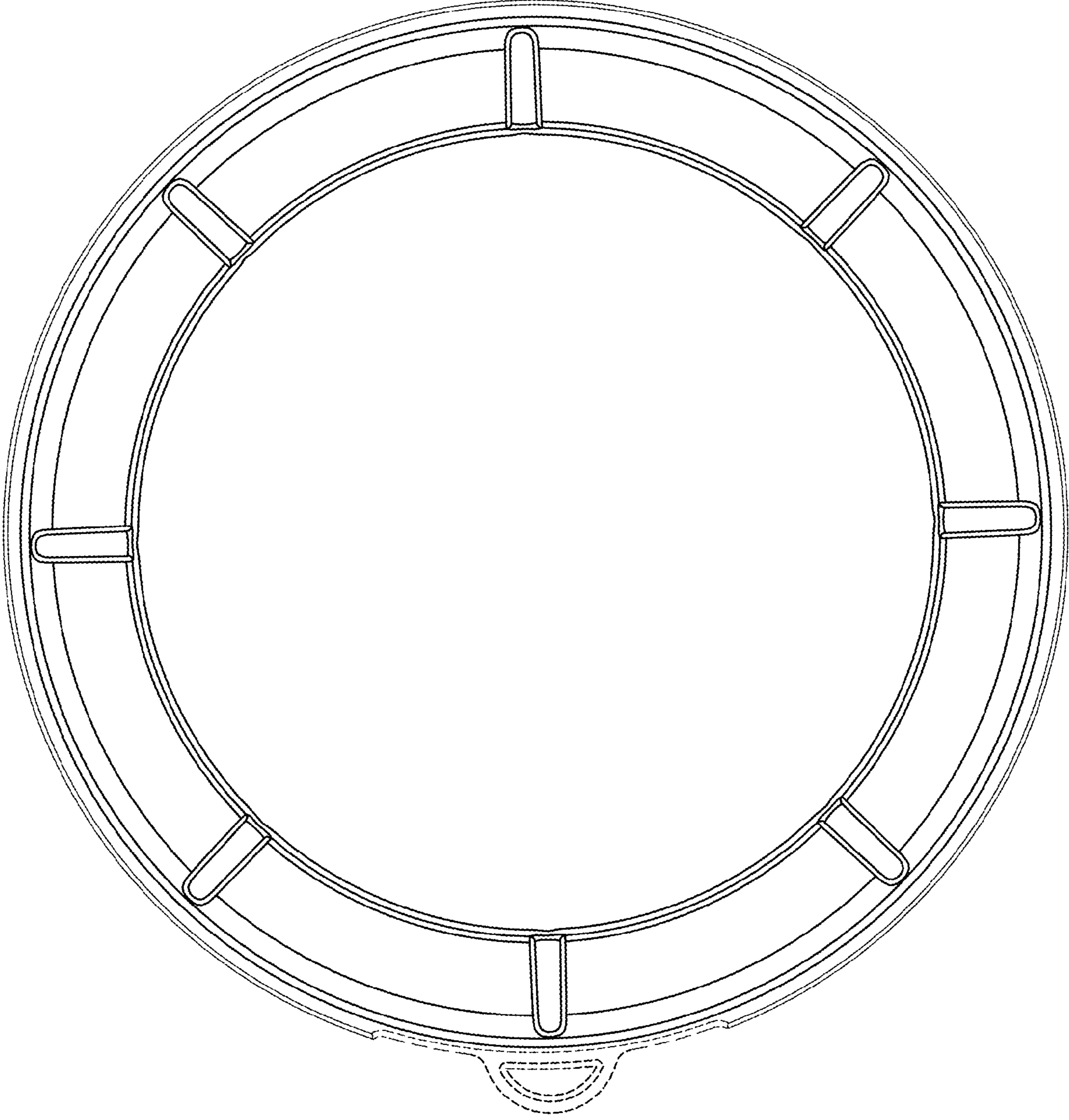


FIG. 11

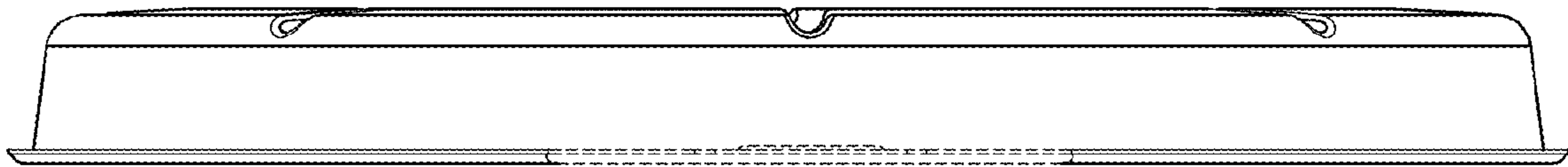


FIG. 12

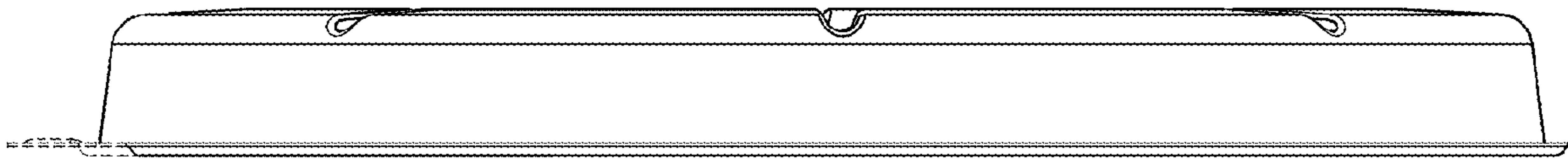


FIG. 13

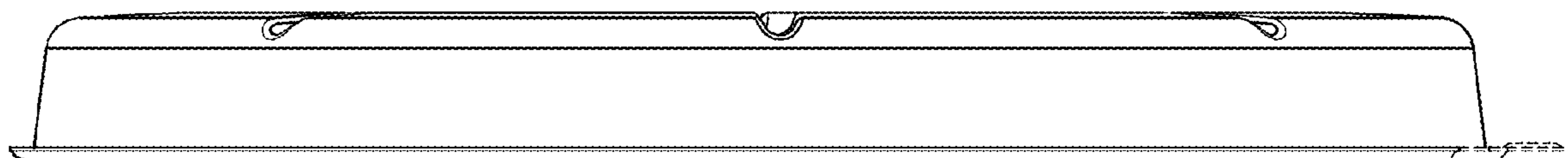


FIG. 14

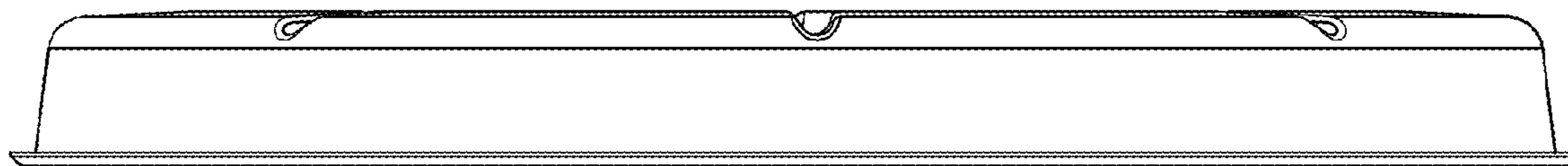


FIG. 15

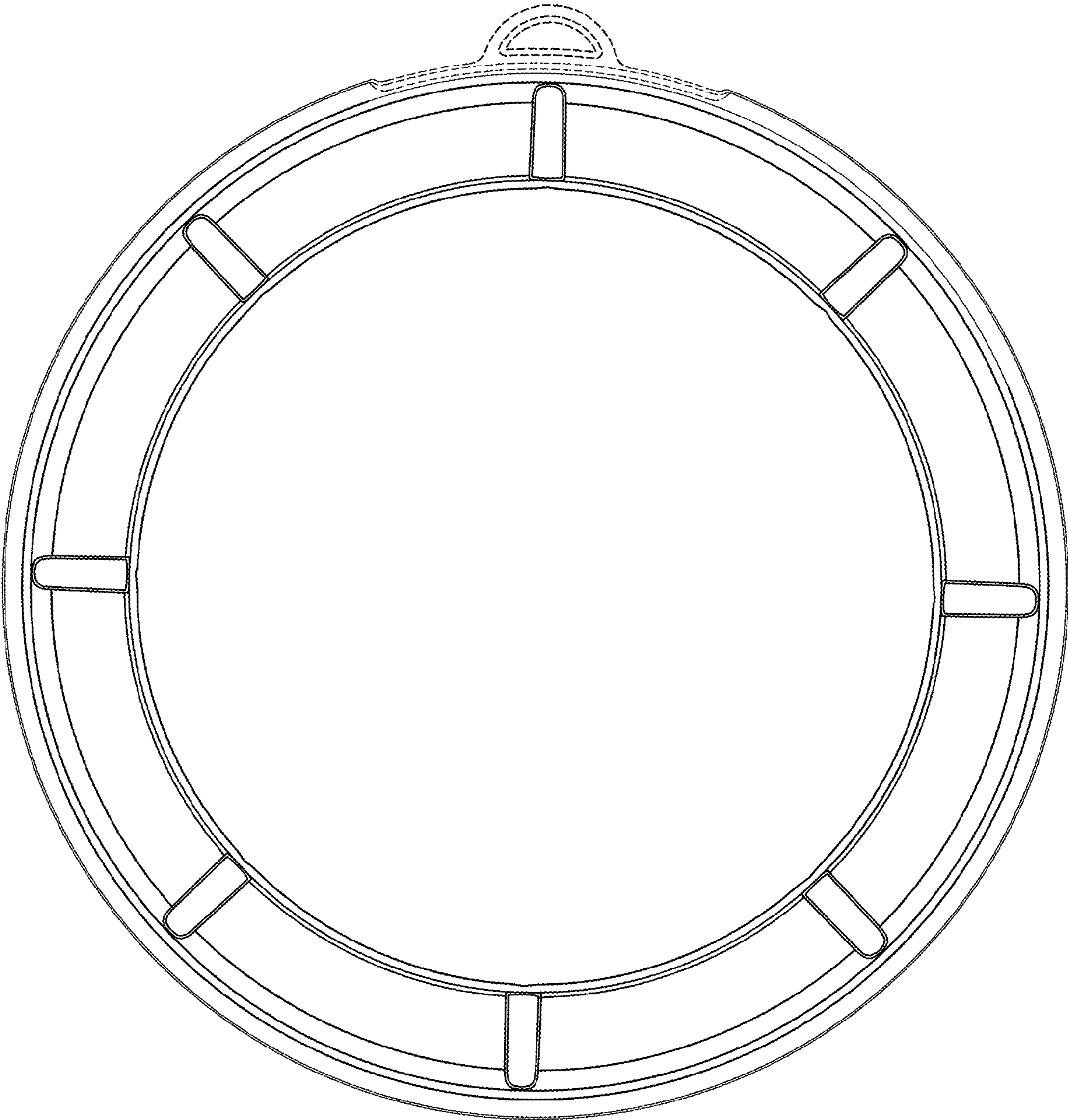


FIG. 16

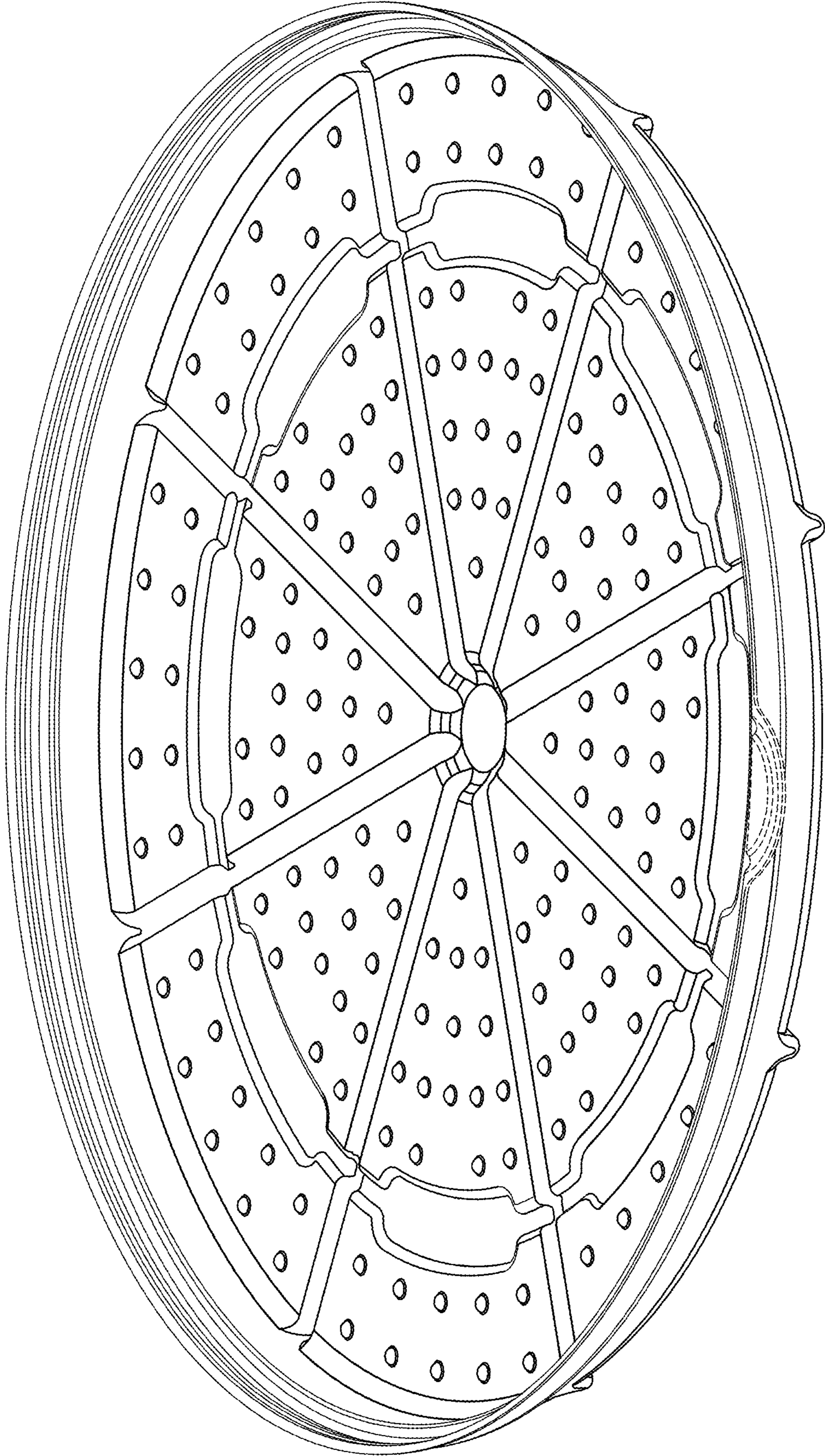


FIG.17

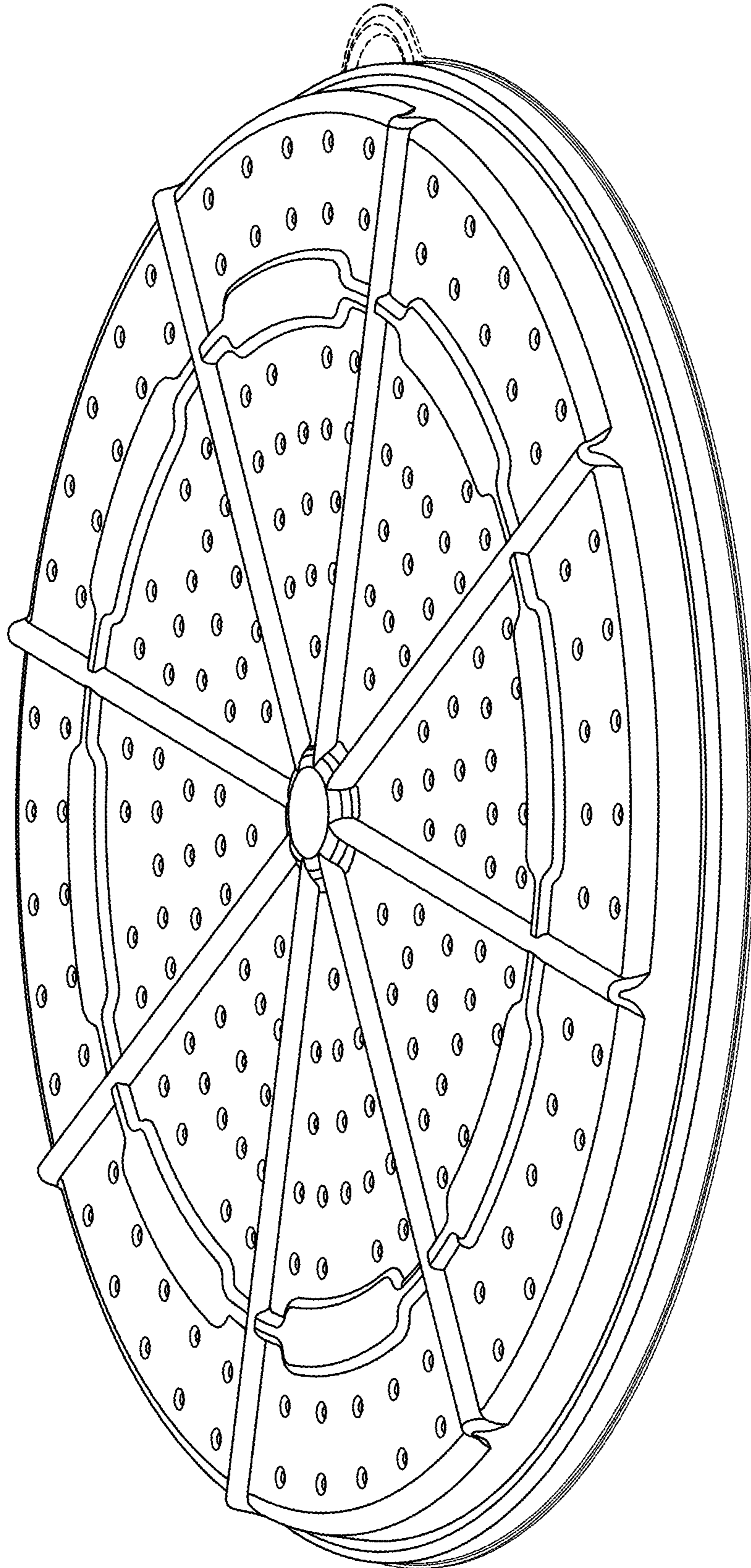


FIG. 18

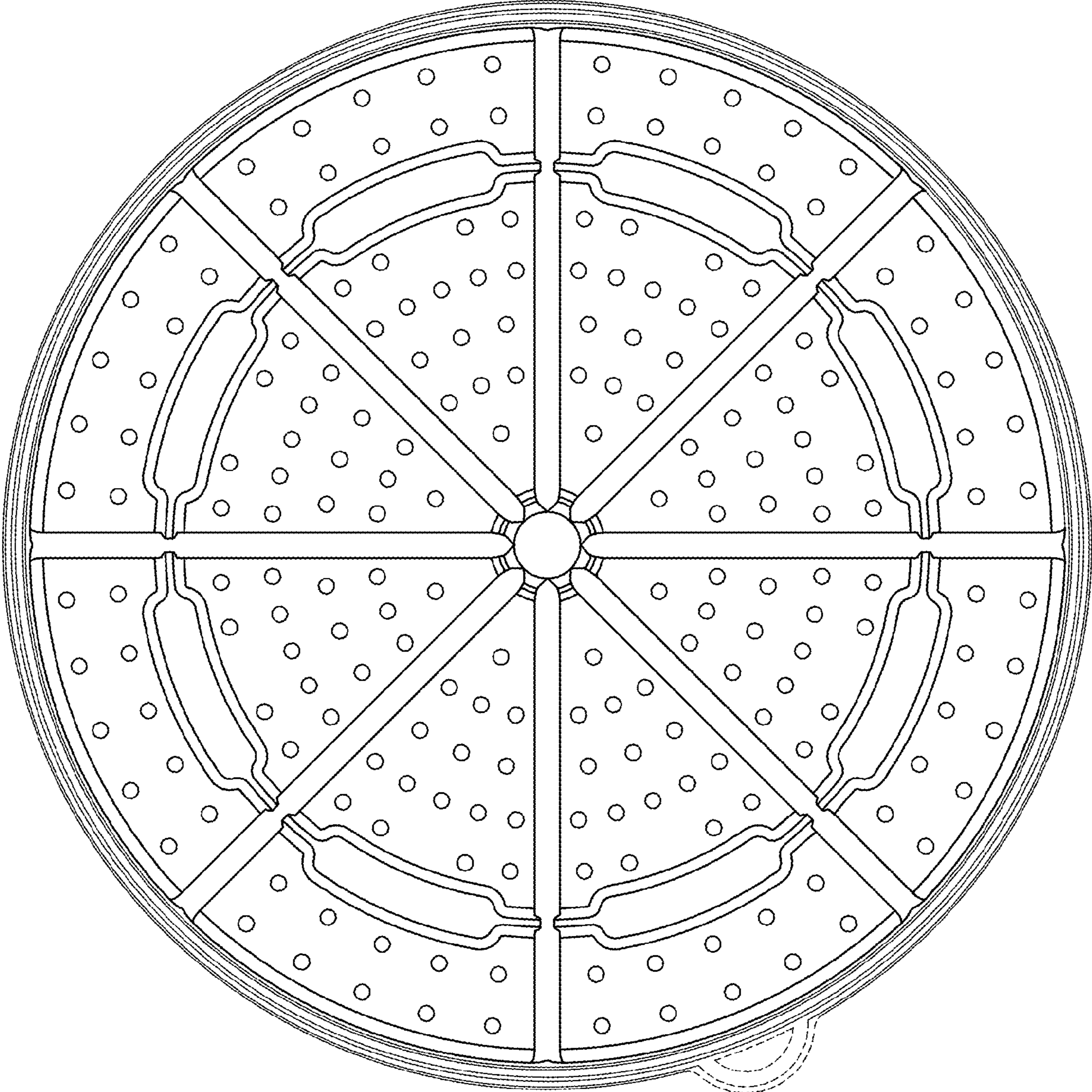


FIG. 19

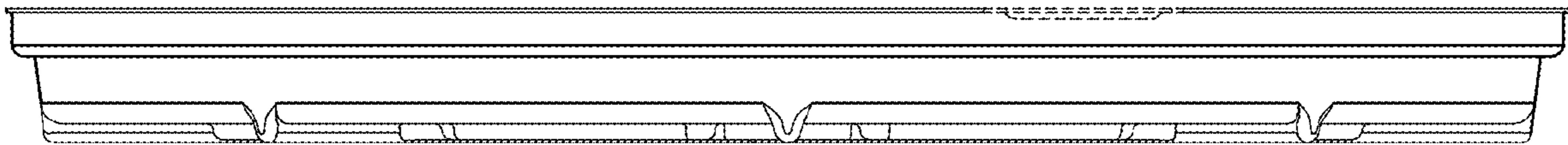


FIG.20

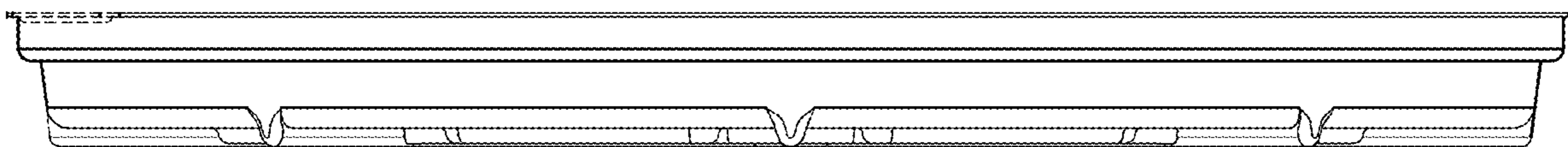


FIG.21

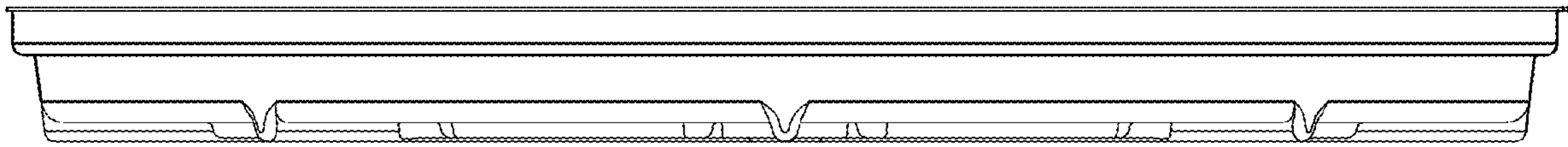


FIG. 22

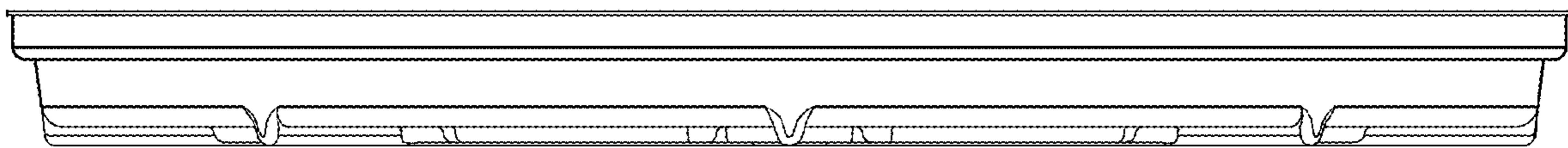


FIG. 23

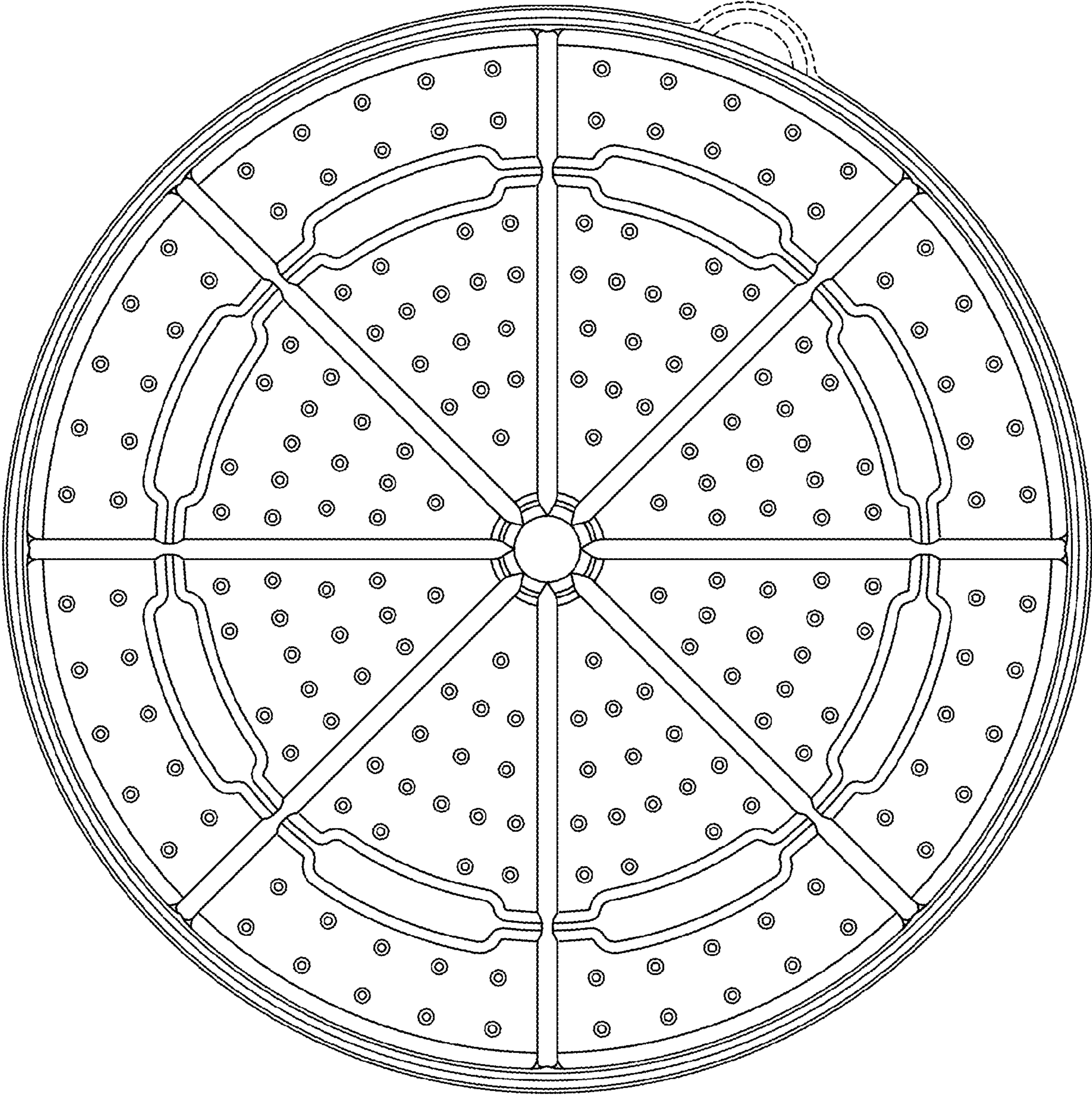


FIG.24