



US00D918711S

(12) **United States Design Patent**
Noyori

(10) **Patent No.:** **US D918,711 S**

(45) **Date of Patent:** **** May 11, 2021**

- (54) **PACKAGING CONTAINER**
- (71) Applicant: **mitsubishi pencil company, LIMITED**, Tokyo (JP)
- (72) Inventor: **Tappei Noyori**, Tokyo (JP)
- (73) Assignee: **mitsubishi pencil company, LIMITED**, Tokyo (JP)
- (**) Term: **15 Years**
- (21) Appl. No.: **29/680,956**
- (22) Filed: **Feb. 21, 2019**

- D107,251 S * 11/1937 Noren D9/759
- 2,332,721 A * 10/1943 Holm B65D 5/5206
206/45.27
- 2,716,485 A * 8/1955 Hecker B65D 5/5206
206/45.25
- 3,310,165 A * 3/1967 Reiner B65D 5/5206
206/45.25
- D274,693 S * 7/1984 Cruz D9/425
- D317,849 S * 7/1991 Adams D7/698
- D324,881 S * 3/1992 Hasegawa D19/85
- 5,248,030 A * 9/1993 Tarozzi A45C 11/24
206/1.7
- D400,435 S * 11/1998 Appelbaum D9/415
- 5,996,778 A * 12/1999 Shih A45C 11/34
206/214

(Continued)

- (30) **Foreign Application Priority Data**
- Aug. 22, 2018 (JP) 2018-018273
- (51) **LOC (13) Cl.** **09-03**
- (52) **U.S. Cl.**
- USPC **D9/420**
- (58) **Field of Classification Search**
- USPC D9/420, 707, 756, 755, 423-425, 759,
D9/722, 761, 415; D6/706; D7/698;
D23/393; D19/85, 105; D3/294, 206;
D24/110.6; D32/57; D11/155
- CPC E03C 1/186; B65B 55/00; B60W 10/06;
A61M 5/002; A45C 11/24; A45C 11/34;
B65D 5/5206
- See application file for complete search history.

Primary Examiner — Rhea Shields
(74) *Attorney, Agent, or Firm* — Andrew F. Young, Esq.;
Nolte Lackenbach Siegel

(57) **CLAIM**

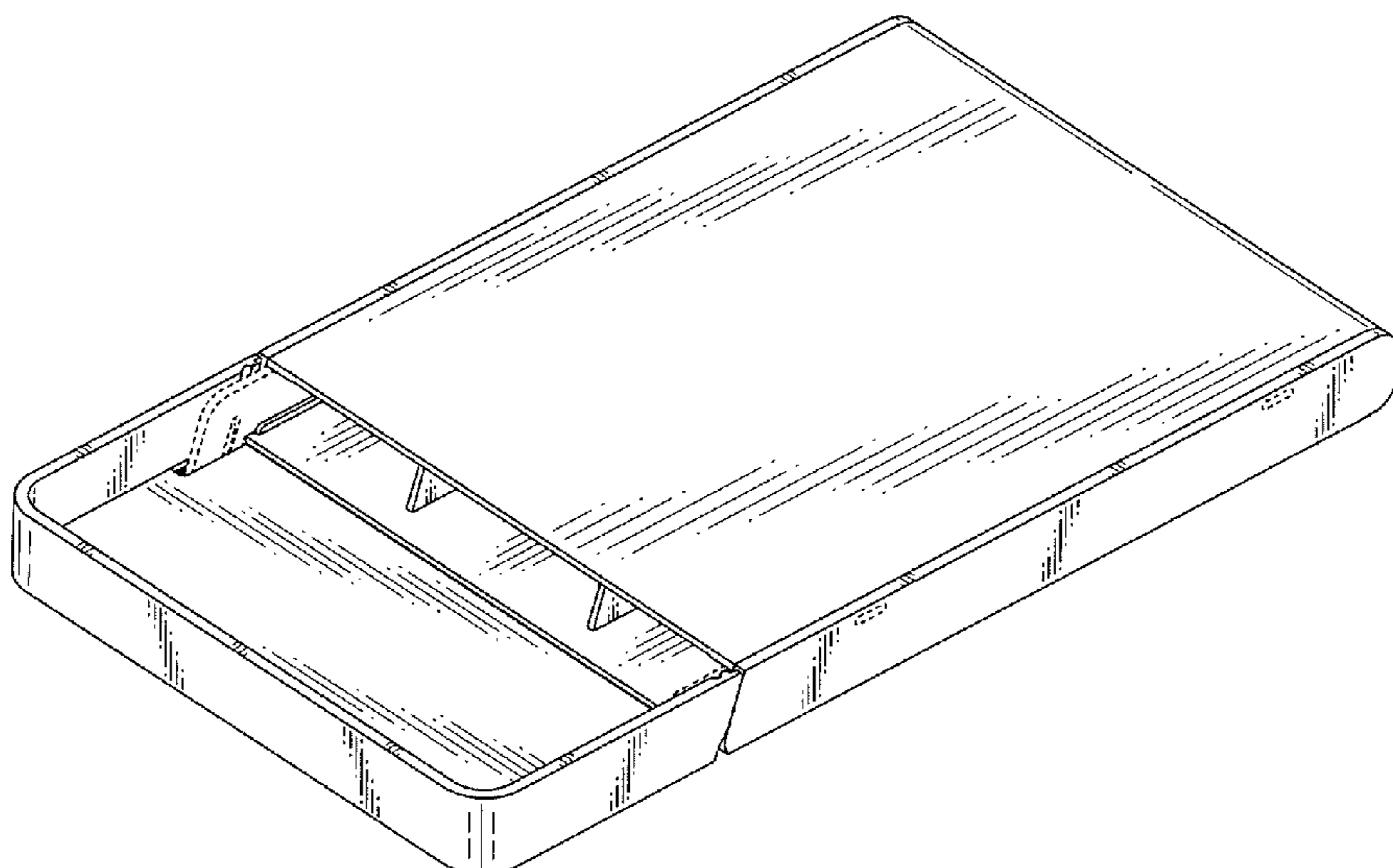
The ornamental design for a packaging container, as shown and described.

DESCRIPTION

FIG. 1 is a front top perspective view of a packaging container showing my new design.
FIG. 2 is a rear perspective view thereof;
FIG. 3 is a front elevational view thereof;
FIG. 4 is a rear elevational view thereof;
FIG. 5 is a right side elevational view thereof; the left side elevational view being a mirror image thereof;
FIG. 6 is a top plan view thereof,
FIG. 7 is a bottom plan view thereof; and,
FIG. 8 is a front perspective view in an open position.
The broken lines in FIGS. 1 to 5, and FIGS. 7 and 8 are included for the purpose of illustrating portions of the article and form no part of the claimed design. No claim is made to portions that are not shown.

- (56) **References Cited**
- U.S. PATENT DOCUMENTS
- 1,591,412 A * 7/1926 Biesel B65D 5/5206
211/69.9
- 1,879,029 A * 9/1932 Baumgard B65D 5/5206
206/45.21
- 1,939,824 A * 12/1933 Mix B65D 5/5206
206/45.23
- 1,987,804 A * 1/1935 Saulsbury B65D 5/5206
206/758

1 Claim, 5 Drawing Sheets



(56)

References Cited

U.S. PATENT DOCUMENTS

D510,262	S *	10/2005	Isono	D9/423
D587,130	S *	2/2009	Schiffman	D9/707
D654,162	S *	2/2012	Sykes	D23/393
D695,520	S *	12/2013	Edwards	D3/294
D734,146	S *	7/2015	Fischer	D9/424
D735,055	S *	7/2015	Fisher	D9/722
D773,871	S *	12/2016	Porisky	D6/706
D820,080	S *	6/2018	Kase	D9/420
D830,824	S *	10/2018	Safdie	D9/432
D848,730	S *	5/2019	Copier	D3/206
D881,988	S *	4/2020	Fu	D19/105
D882,758	S *	4/2020	Eitzman	D24/110.6
D891,274	S *	7/2020	Abdelnour	D9/761
D891,981	S *	8/2020	Riesterer	D11/155
D895,220	S *	9/2020	Eilmus	E03C 1/186
					D32/57
D899,772	S *	10/2020	Kauffman	D3/294
2008/0000794	A1 *	1/2008	Aldridge	B60W 10/06
					206/467
2014/0353177	A1 *	12/2014	Senate	B65B 55/00
					206/6.1
2018/0140767	A1 *	5/2018	Fontecchio	A61M 5/002

* cited by examiner

FIG. 1

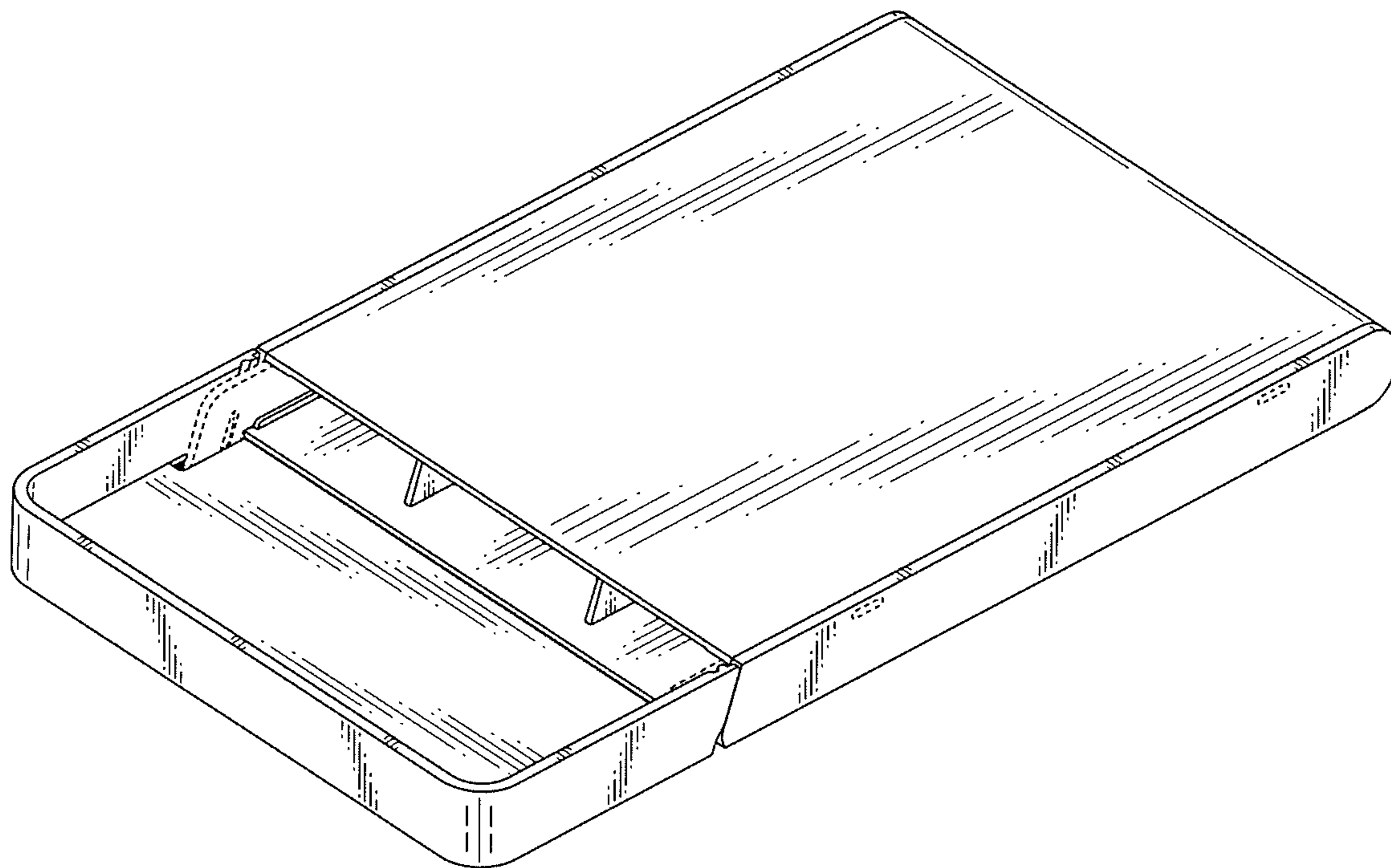


FIG. 2

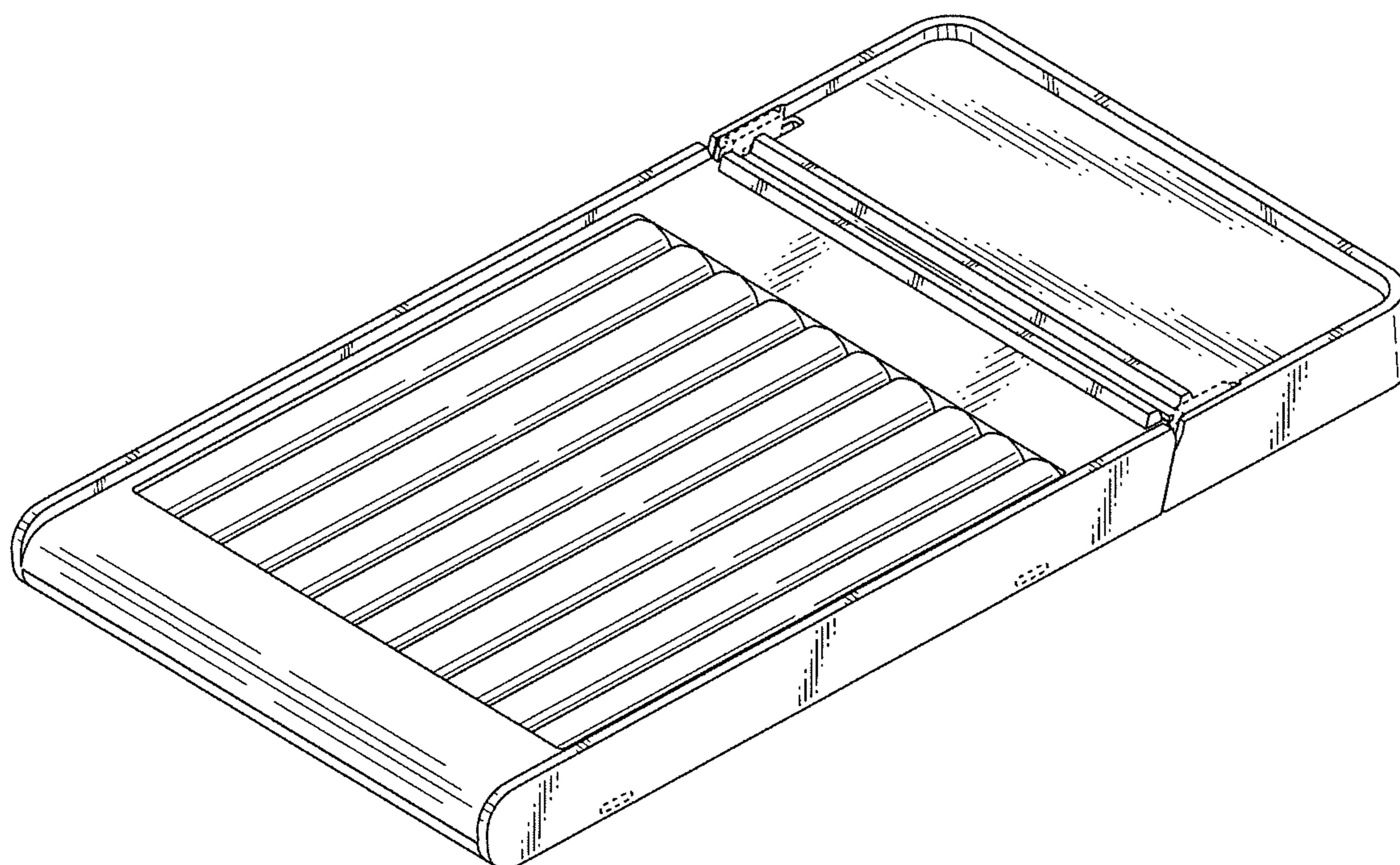


FIG. 3

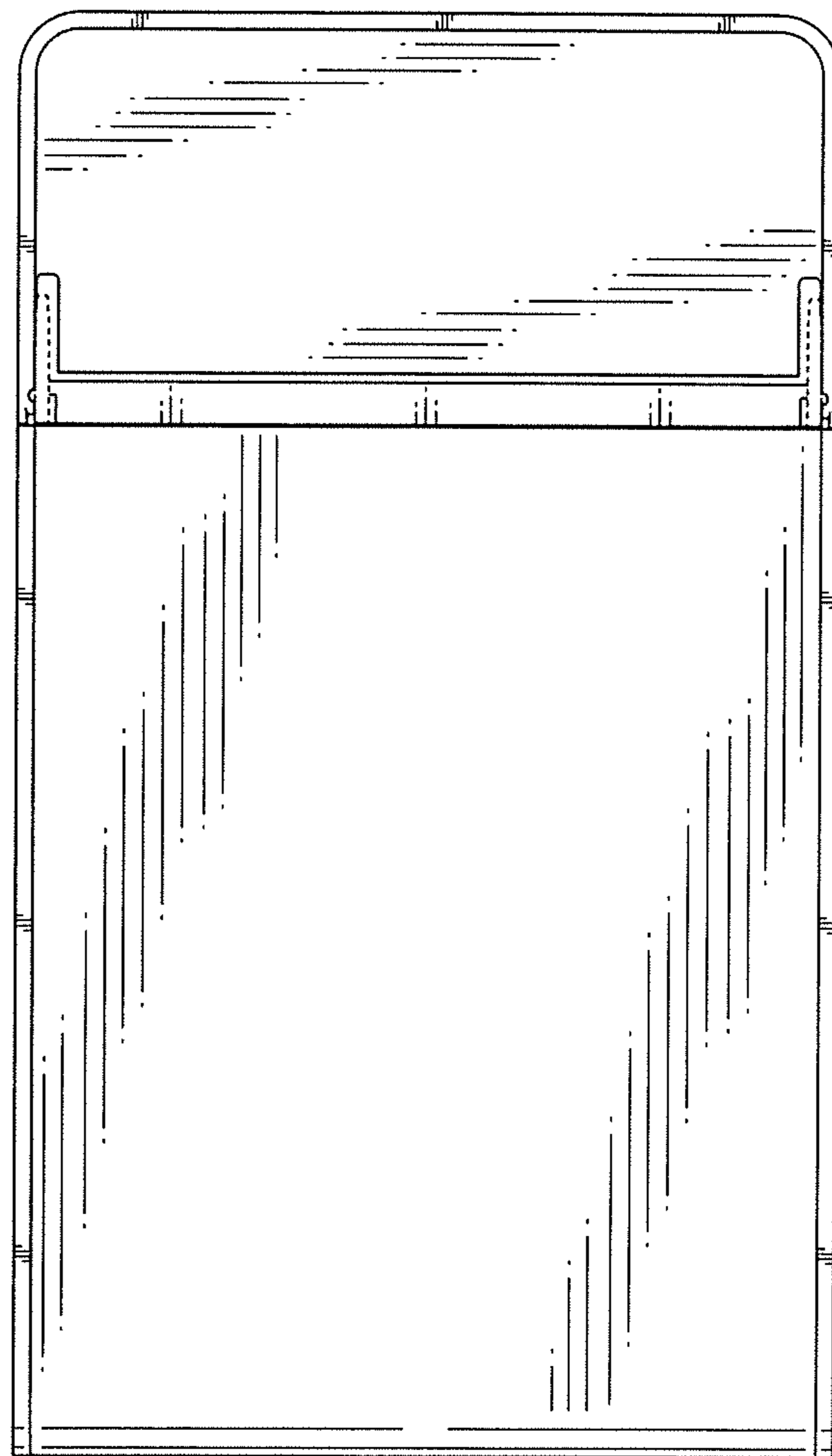


FIG. 4

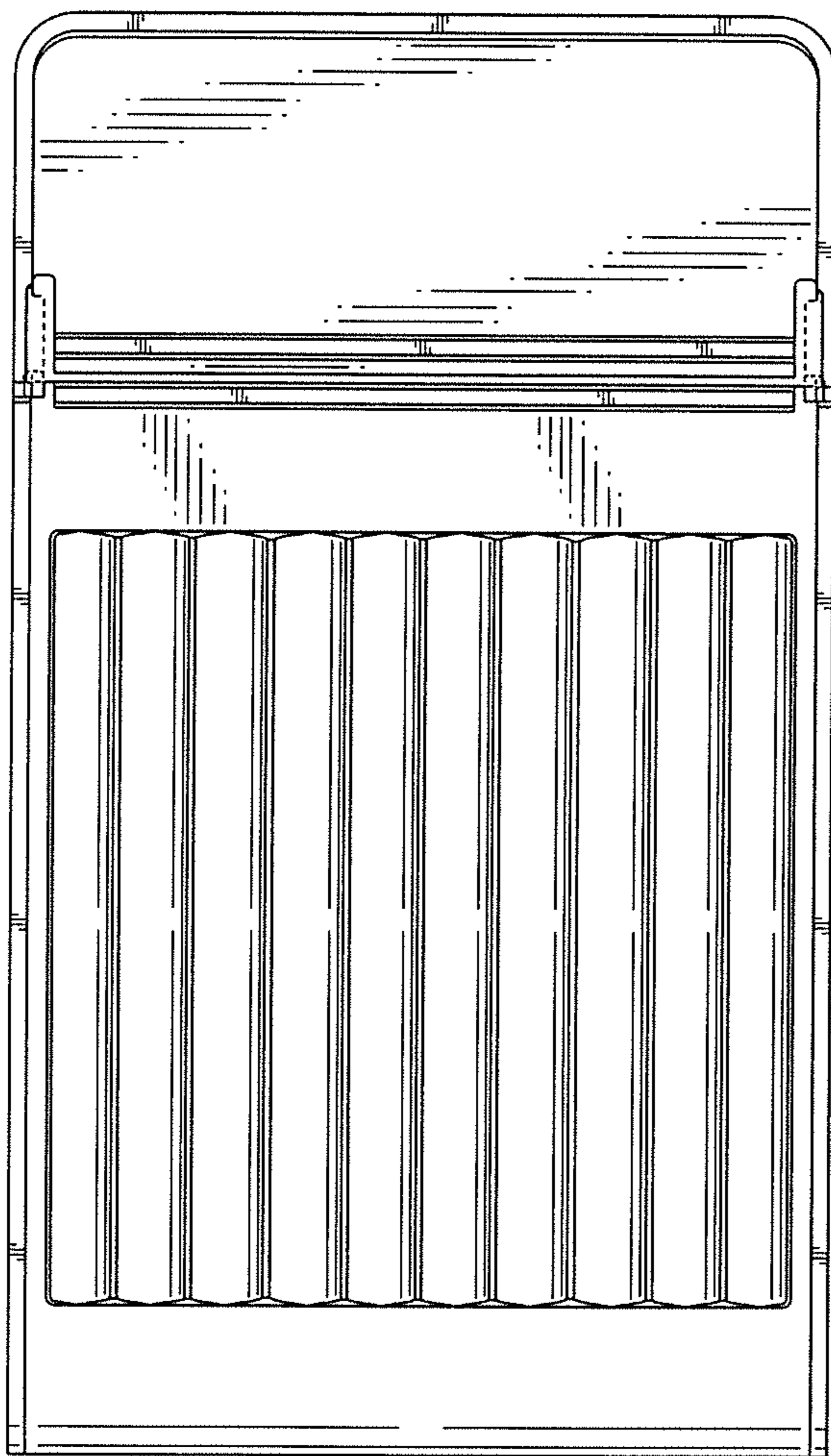


FIG. 5

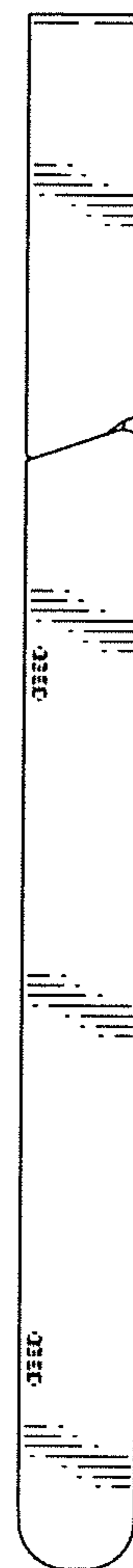


FIG. 6



FIG. 7

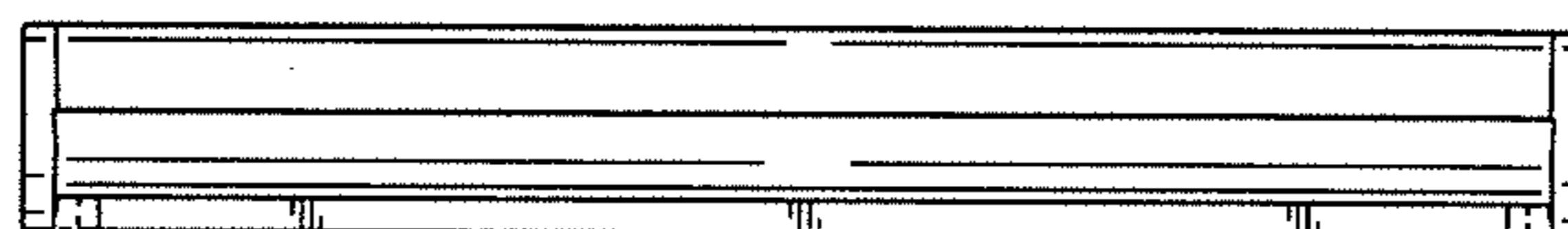


FIG. 8

