



US00D918710S

(12) **United States Design Patent** (10) **Patent No.:** **US D918,710 S**  
**Hampton et al.** (45) **Date of Patent:** **\*\* May 11, 2021**

(54) **BLISTER PACKAGE**

(71) Applicant: **Braun GmbH**, Kronberg (DE)

(72) Inventors: **Joshua Hampton**, Frankfurt (DE);  
**Martin Marotti**, Carmel, IN (US)

(73) Assignee: **Braun GmbH**, Kronberg (DE)

(\*\*) Term: **15 Years**

(21) Appl. No.: **29/761,105**

(22) Filed: **Dec. 7, 2020**

**Related U.S. Application Data**

(62) Division of application No. 29/684,178, filed on Mar. 19, 2019, now Pat. No. Des. 907,476.

(30) **Foreign Application Priority Data**

Sep. 19, 2018 (WO) ..... 8958701

(51) **LOC (13) Cl.** ..... **09-03**

(52) **U.S. Cl.**  
USPC ..... **D9/415**

(58) **Field of Classification Search**

USPC ..... D9/415, 418, 424, 732  
CPC .... B65D 75/327; B65D 75/36; B65D 75/366;  
B65D 75/367; B65D 75/32; B65D  
2575/3245; B65D 75/326; B65D  
2575/366; B65D 2585/88; B65D 75/322;  
B65D

(Continued)

(56) **References Cited**

**U.S. PATENT DOCUMENTS**

3,288,278 A \* 11/1966 Rich ..... B65D 77/02  
426/106  
3,367,491 A \* 2/1968 Dunham ..... B65D 75/366  
206/468

(Continued)

*Primary Examiner* — Lauren R Calve

(74) *Attorney, Agent, or Firm* — Vladimir Vitenberg

(57) **CLAIM**

The ornamental design for a blister package, as shown and described.

**DESCRIPTION**

FIG. 1 is a perspective view of a first embodiment of a blister package;

FIG. 2 is a front view thereof;

FIG. 3 is a right-side view thereof;

FIG. 4 is a rear view thereof;

FIG. 5 is a left-side view thereof;

FIG. 6 is a top plan view thereof; and

FIG. 7 is a bottom view thereof.

FIG. 8 is a perspective view of a second embodiment of a blister package;

FIG. 9 is a front view thereof;

FIG. 10 is a right-side view thereof;

FIG. 11 is a rear view thereof;

FIG. 12 is a left-side view thereof;

FIG. 13 is a top plan view thereof; and

FIG. 14 is a bottom view thereof.

FIG. 15 is a perspective view of a third embodiment of a blister package;

FIG. 16 is a front view thereof;

FIG. 17 is a right-side view thereof;

FIG. 18 is a rear view thereof;

FIG. 19 is a left-side view thereof;

FIG. 20 is a top plan view thereof; and

FIG. 21 is a bottom view thereof.

FIG. 22 is a perspective view of a fourth embodiment of a blister package;

FIG. 23 is a front view thereof;

FIG. 24 is a right-side view thereof;

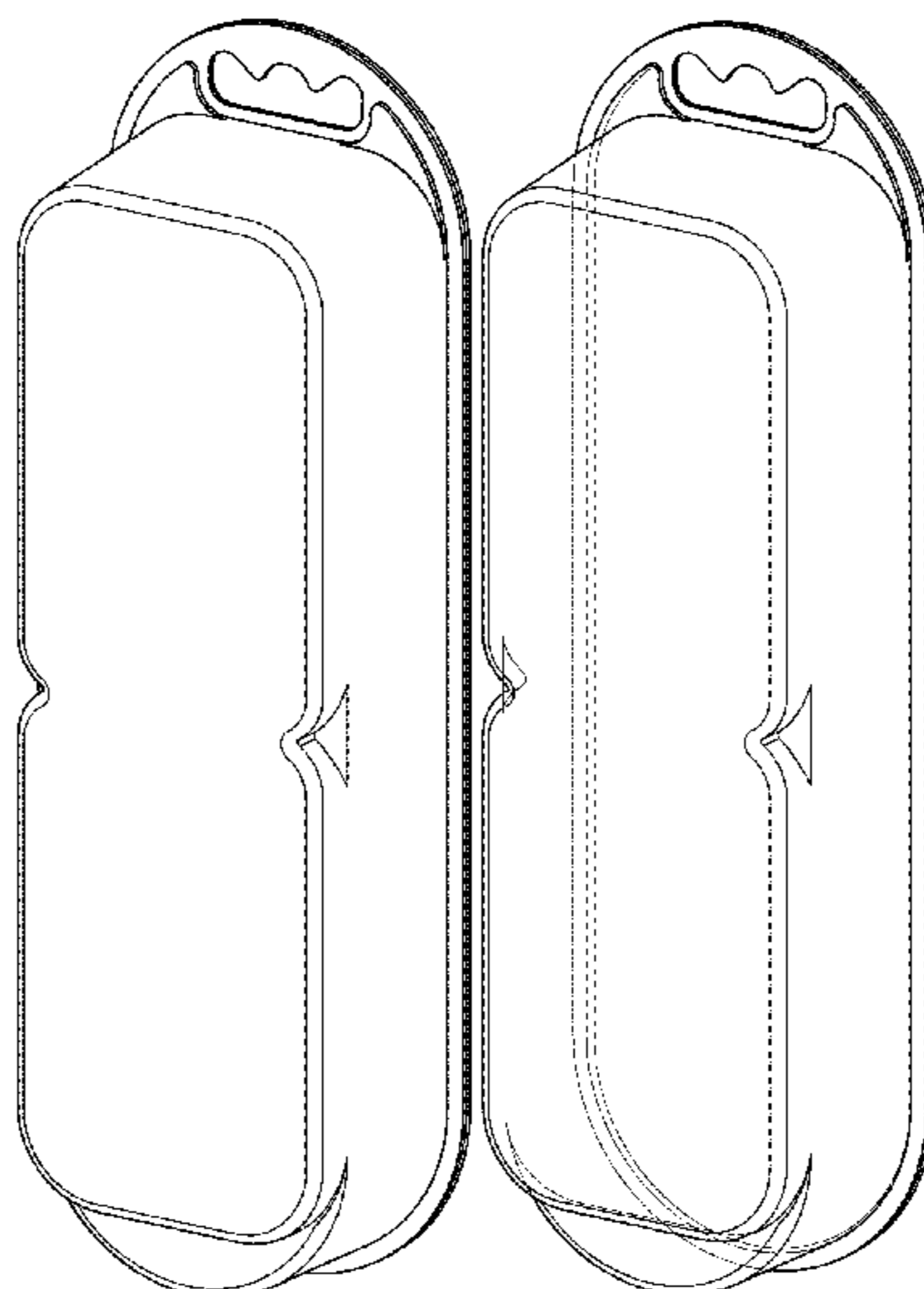
FIG. 25 is a rear view thereof;

FIG. 26 is a left-side view thereof;

FIG. 27 is a top plan view thereof; and,

FIG. 28 is a bottom view thereof.

**1 Claim, 8 Drawing Sheets**



(58) **Field of Classification Search**

CPC .. 77/2032; B65D 5/4204; B65D 75/22; B65D  
77/0413; B65D 5/4208; B65D 77/02;  
B65D 25/22; B65D 75/5833; B65D  
85/00; B65D 2543/00194; B65D 2301/20;  
B65D 2575/3218; B65D 73/0007; B65D  
73/0042

See application file for complete search history.

(56) **References Cited**

U.S. PATENT DOCUMENTS

4,106,621 A \* 8/1978 Sorenson ..... A61M 5/002  
206/365  
D305,000 S \* 12/1989 Hernandez ..... D9/415  
D305,408 S \* 1/1990 LaJoie ..... D9/415  
D308,485 S \* 6/1990 Yeske ..... D9/415  
D329,600 S \* 9/1992 LaJoie ..... D9/415  
D338,619 S \* 8/1993 Mylander ..... D9/415  
D503,334 S \* 3/2005 Keating ..... D9/415  
D611,805 S \* 3/2010 Barniquel ..... D9/415  
D711,735 S \* 8/2014 Atkinson ..... D9/415  
D739,551 S \* 9/2015 Castaing ..... D24/222  
9,701,449 B2 \* 7/2017 Jacobus ..... B65D 43/12  
D858,268 S \* 9/2019 Chen ..... D9/414  
2017/0166377 A1 \* 6/2017 Kaplan ..... B65D 75/366  
2017/0238694 A1 \* 8/2017 Moskovich ..... B65D 25/205

\* cited by examiner

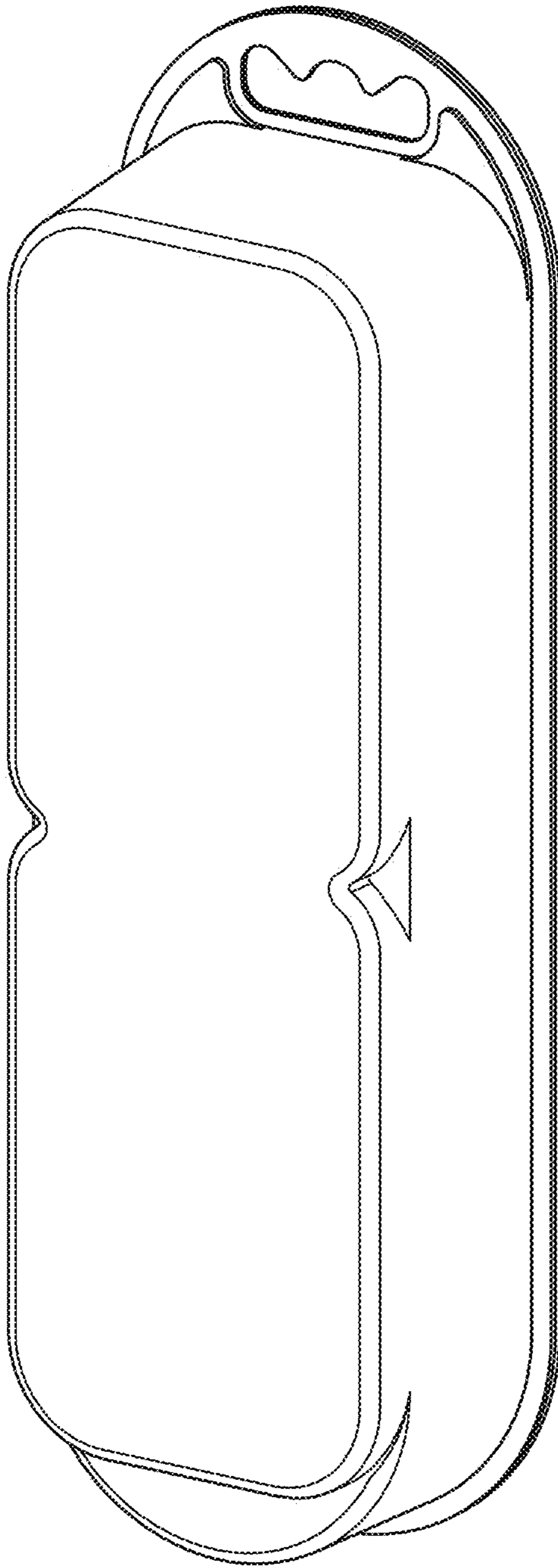


FIG. 1

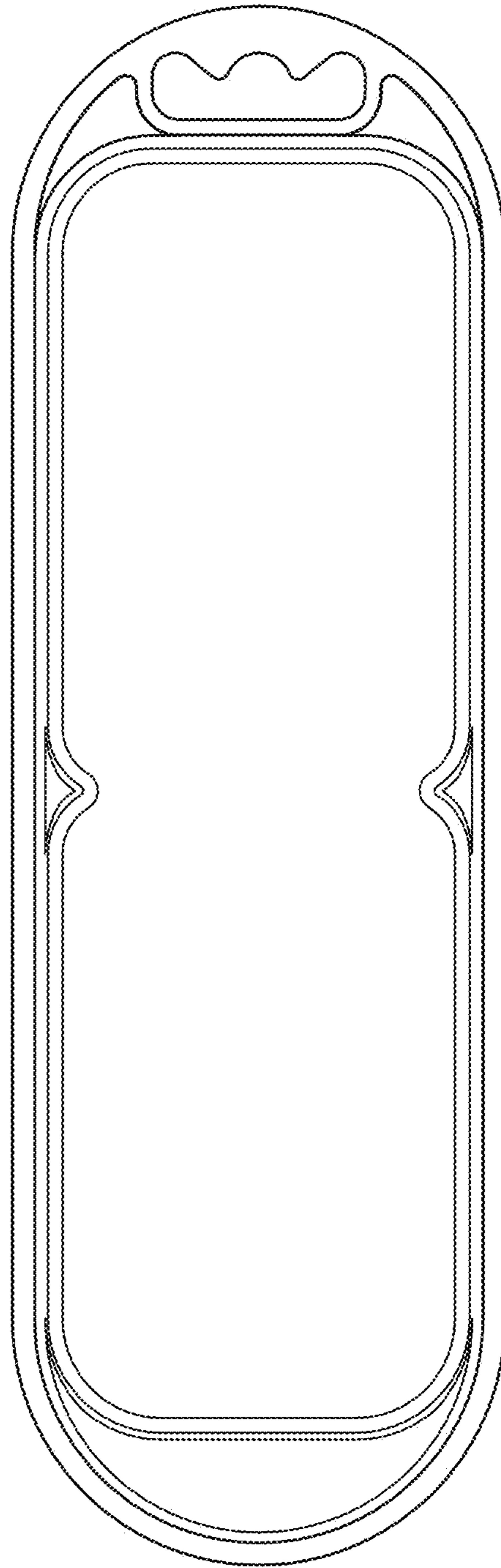


FIG. 2

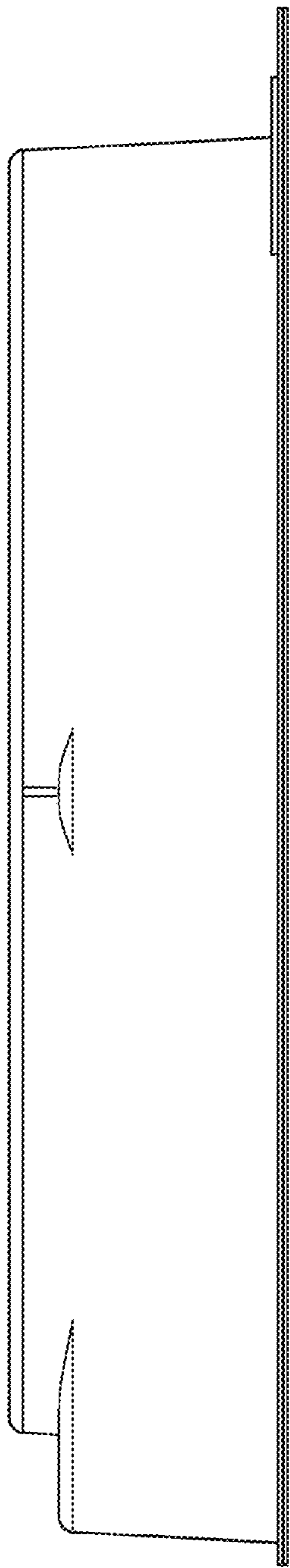


FIG. 3

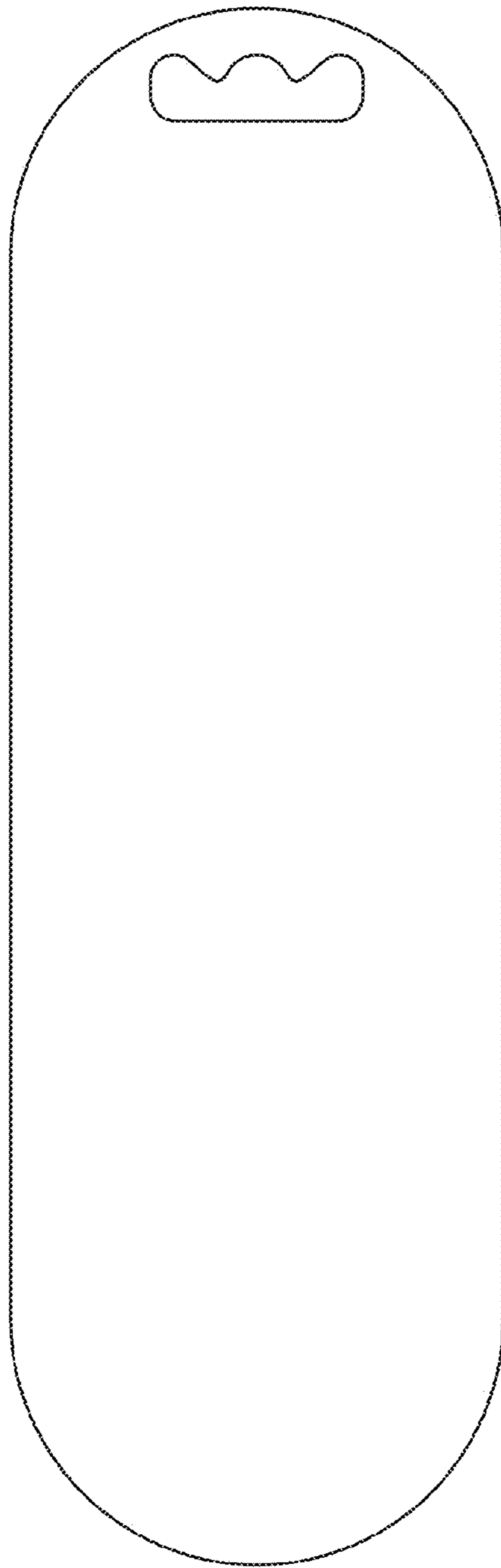


FIG. 4

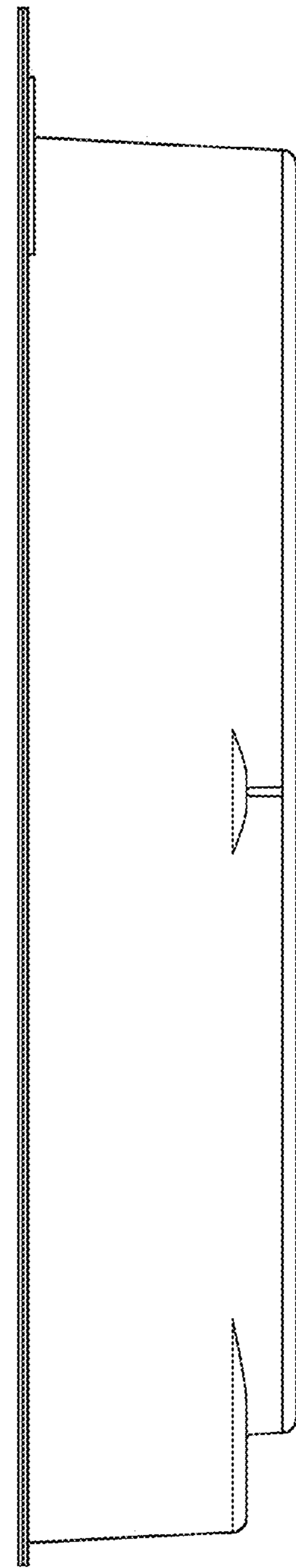


FIG. 5

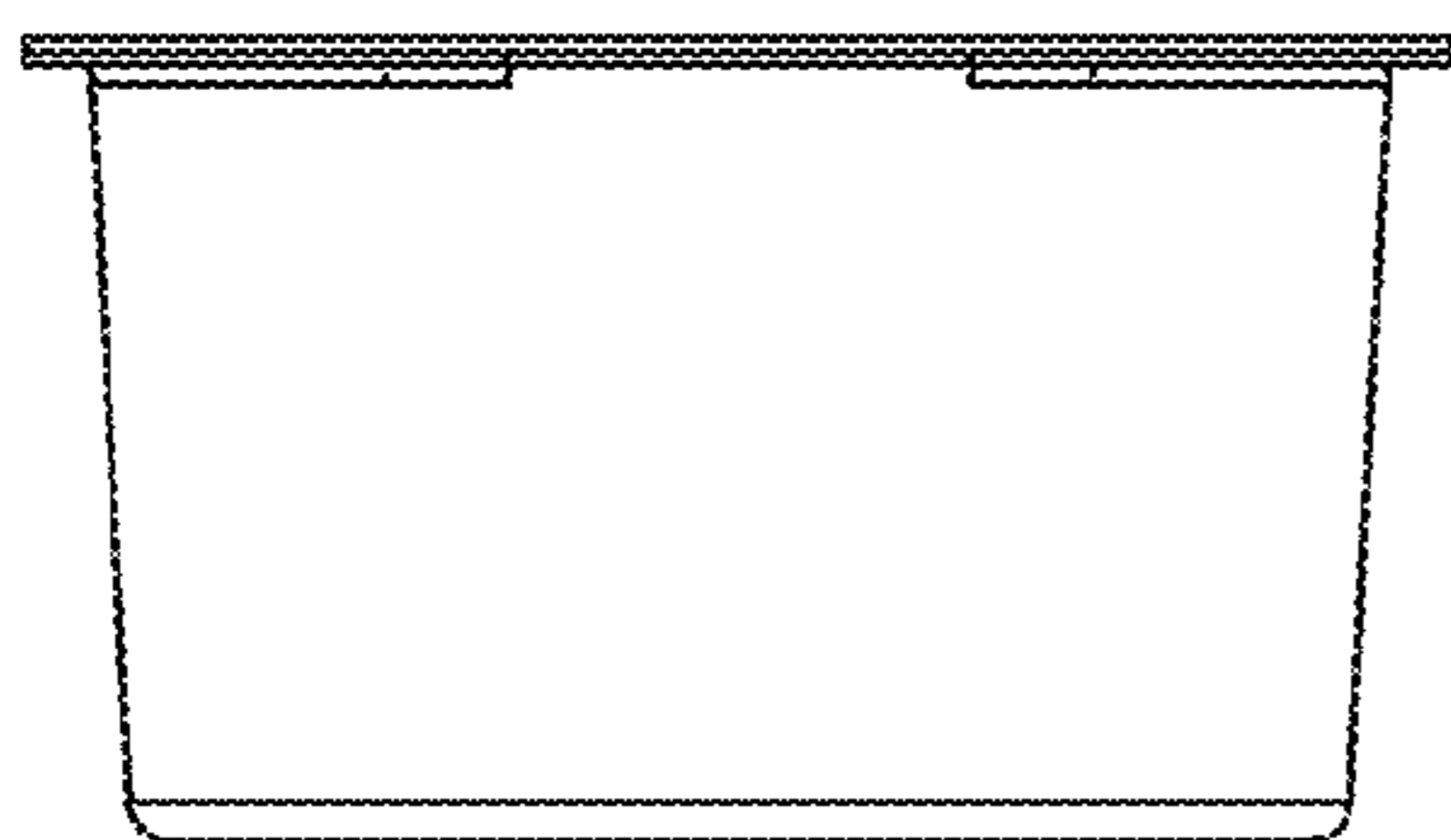


FIG. 6

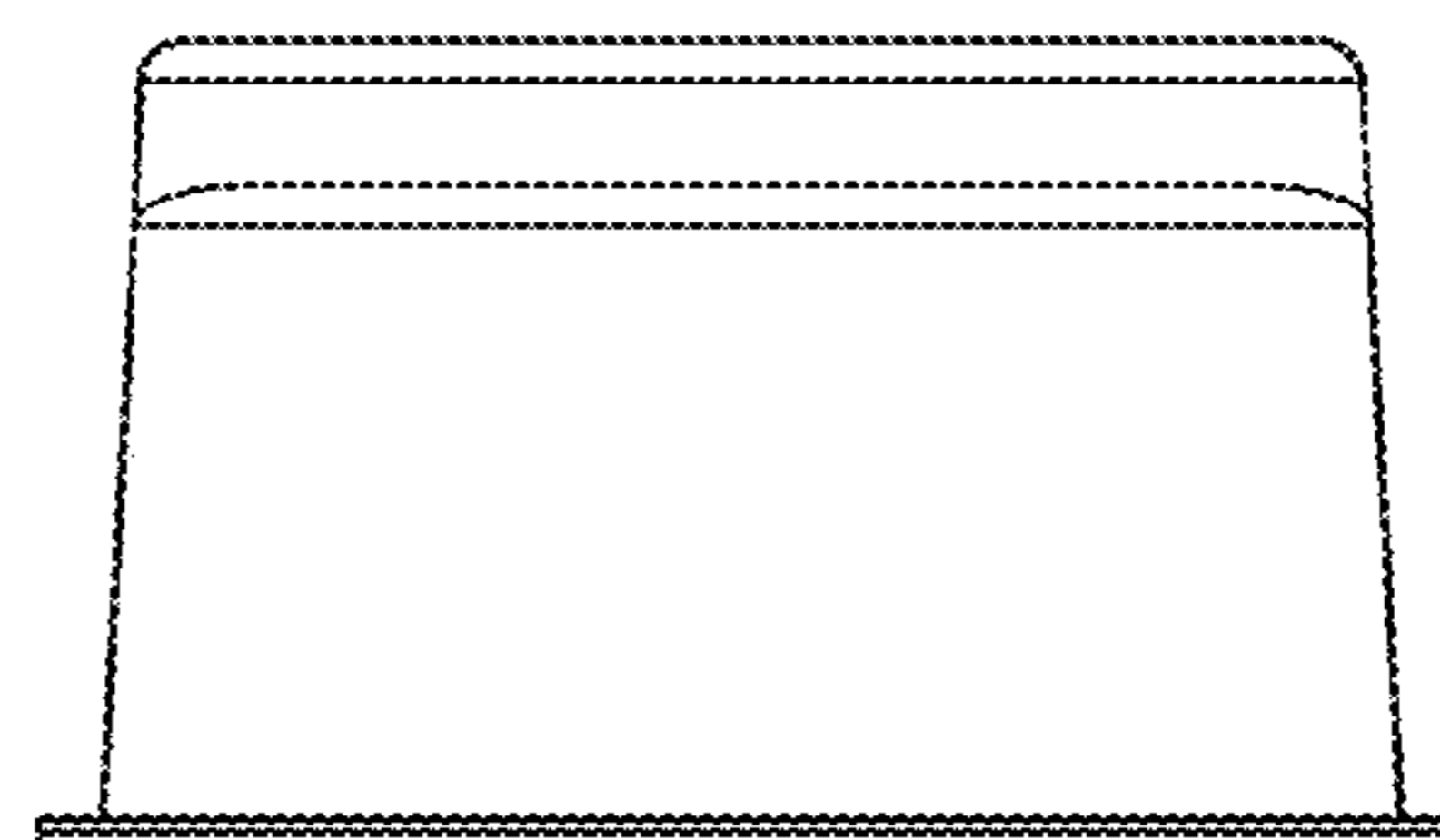


FIG. 7



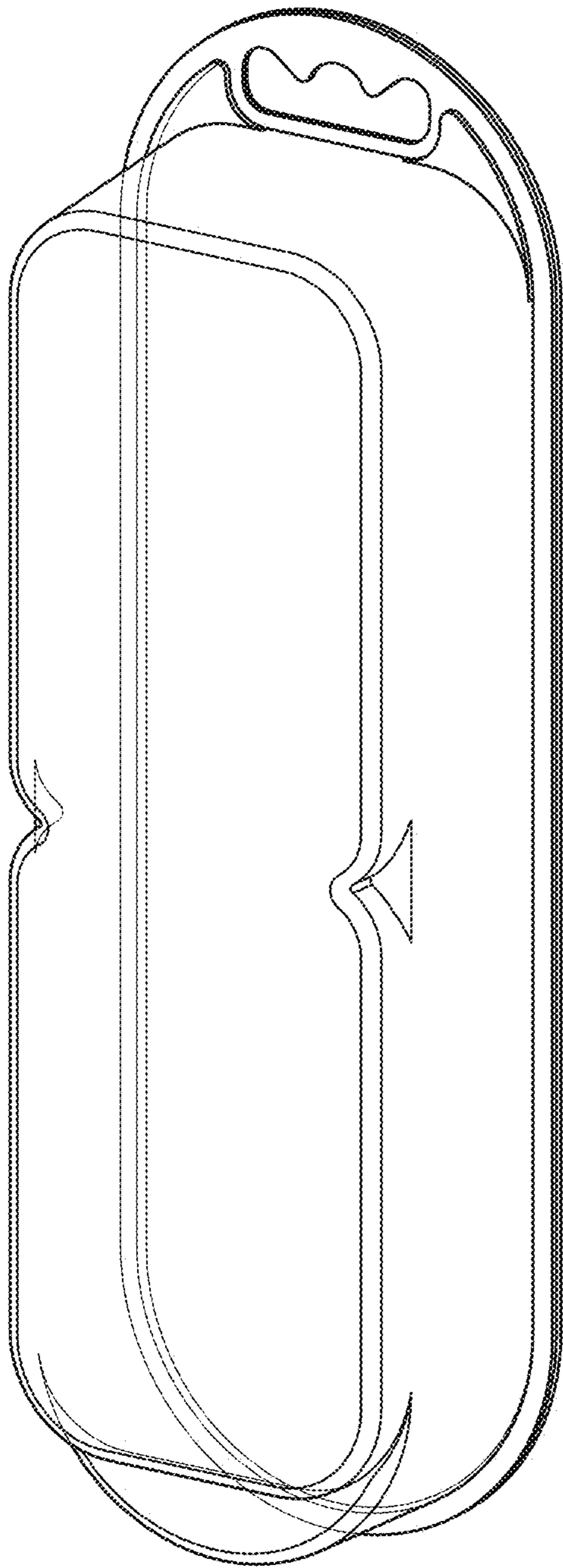


FIG. 8

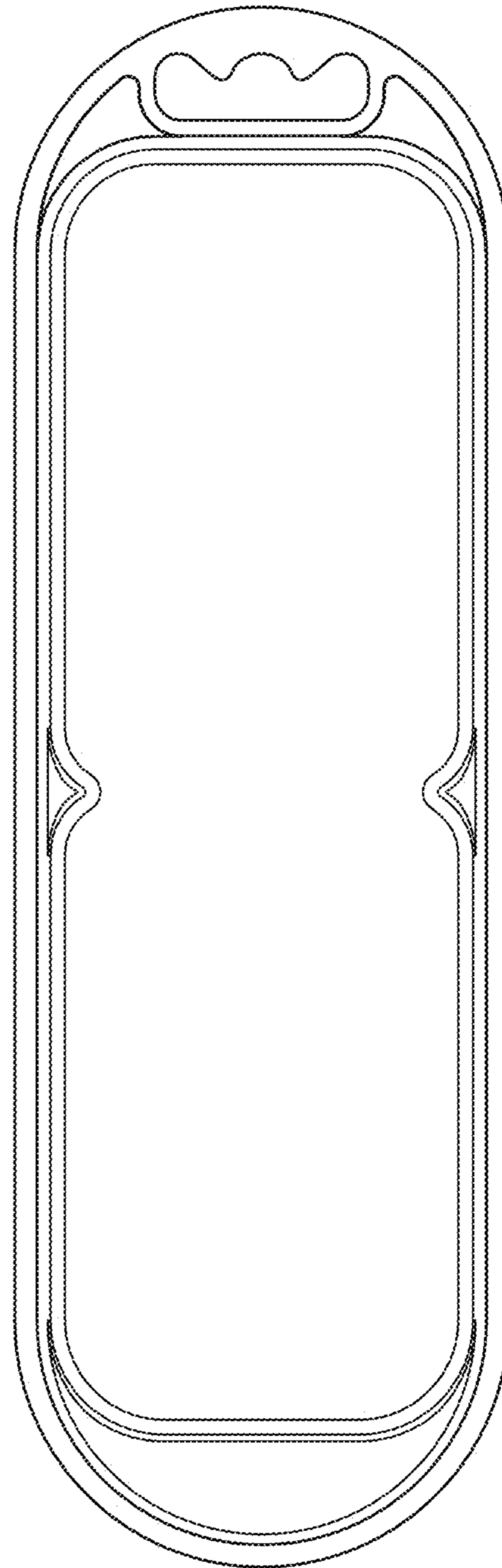


FIG. 9

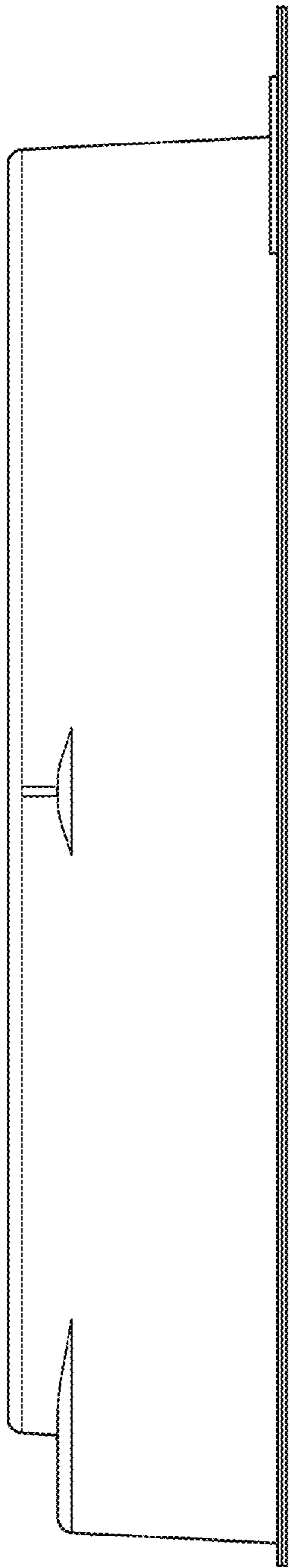


FIG. 10

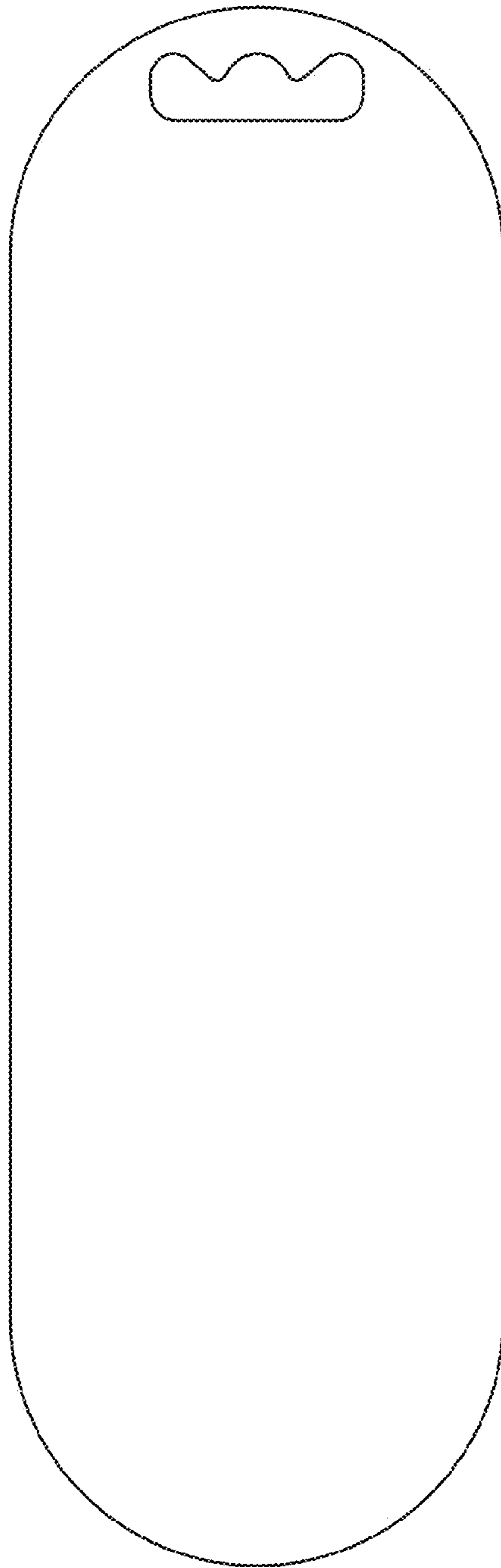


FIG. 11

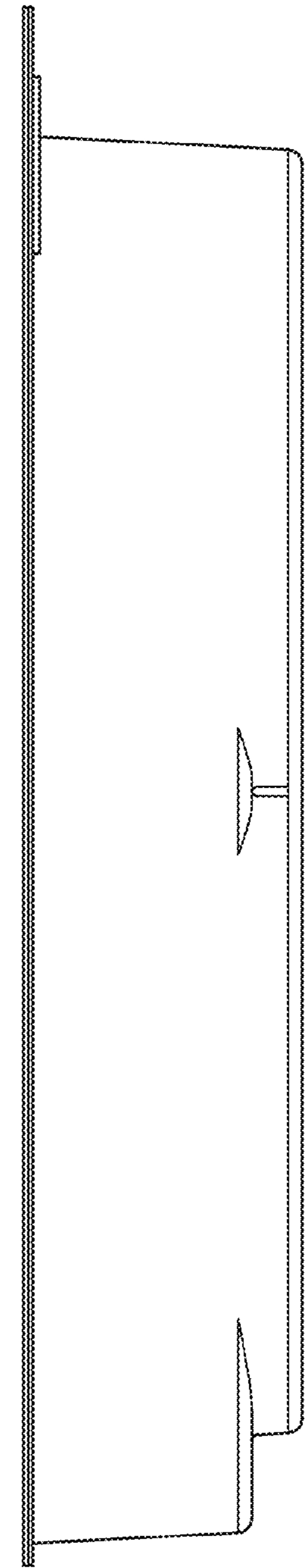


FIG. 12

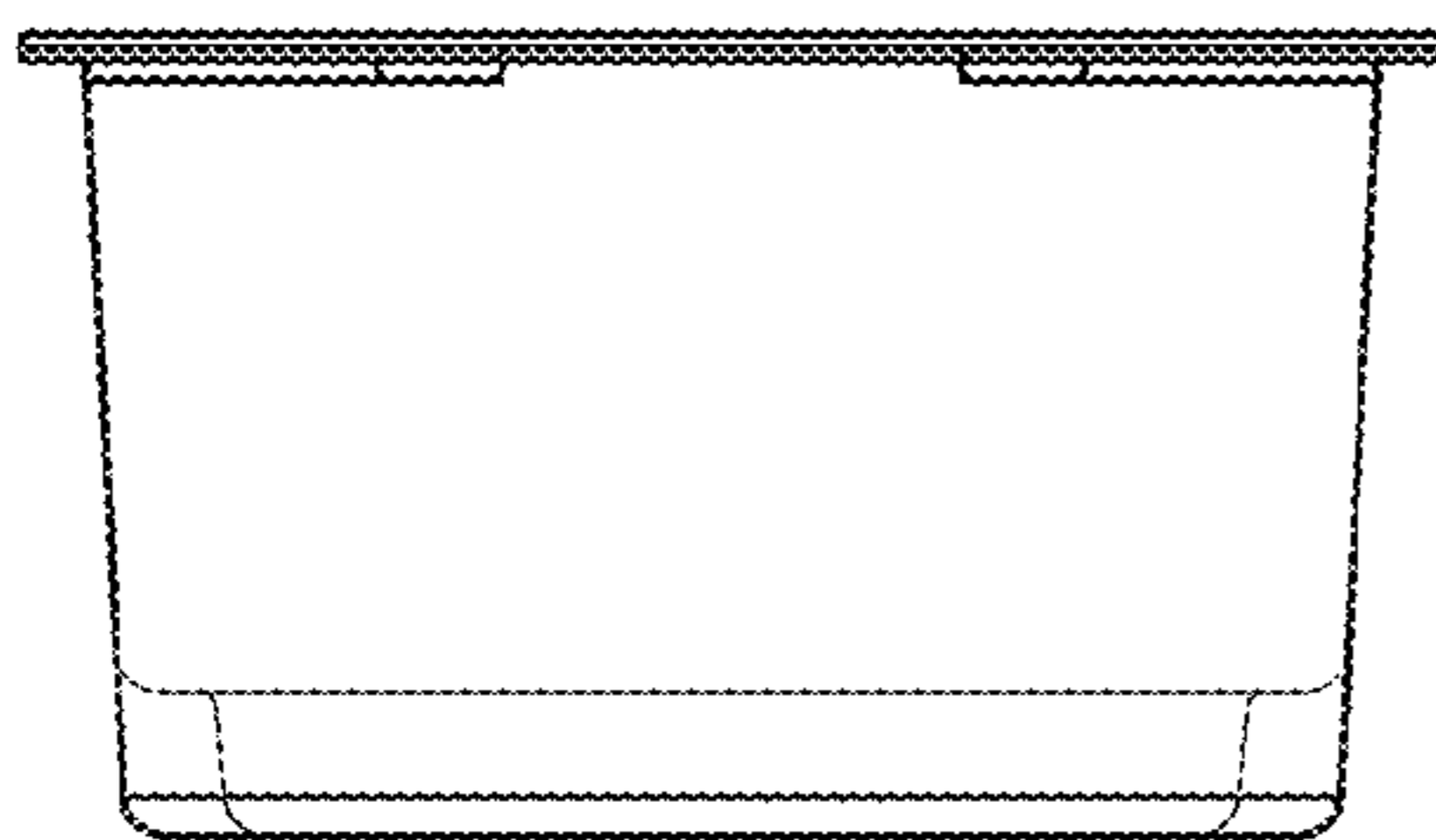


FIG. 13

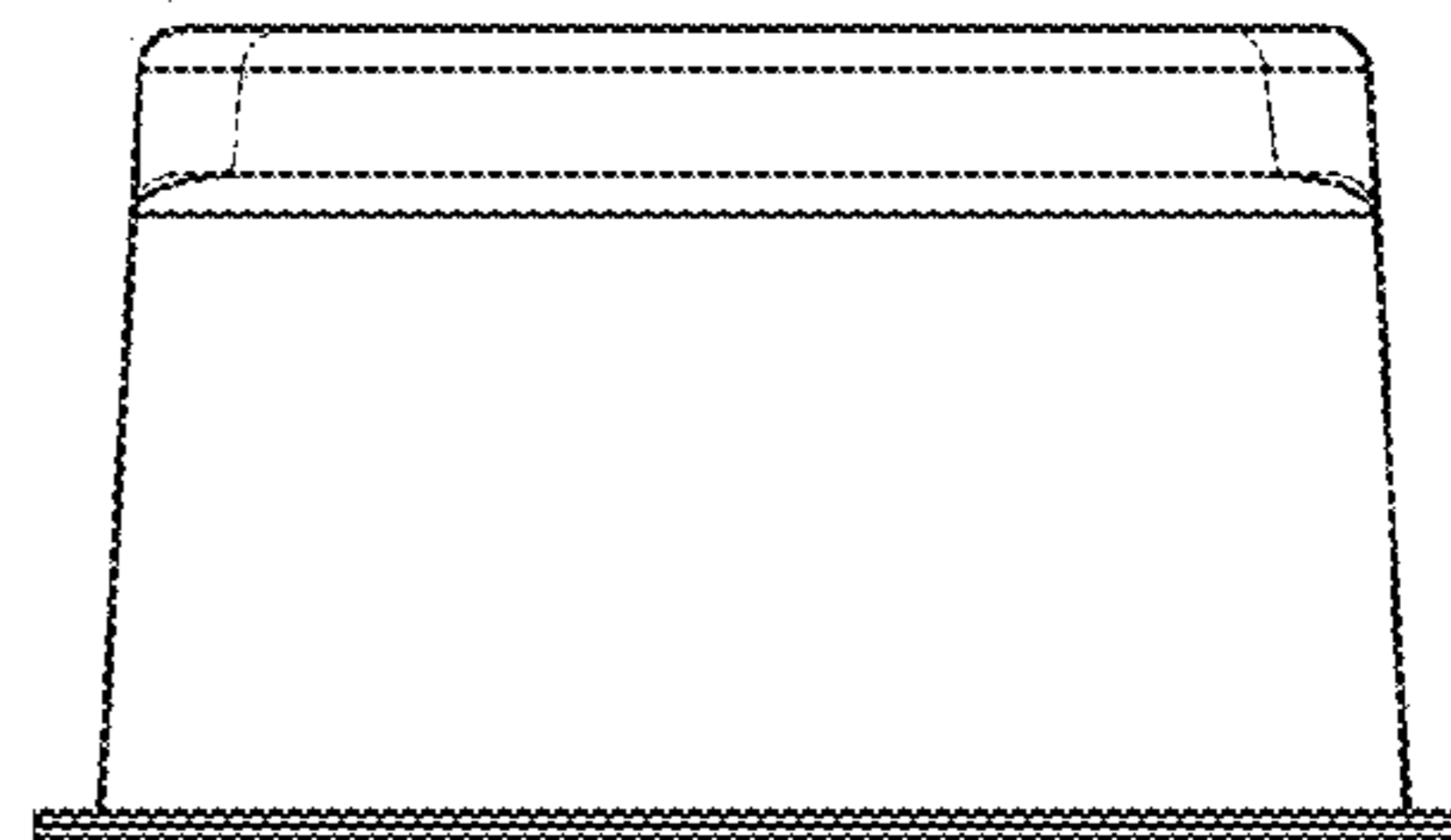


FIG. 14

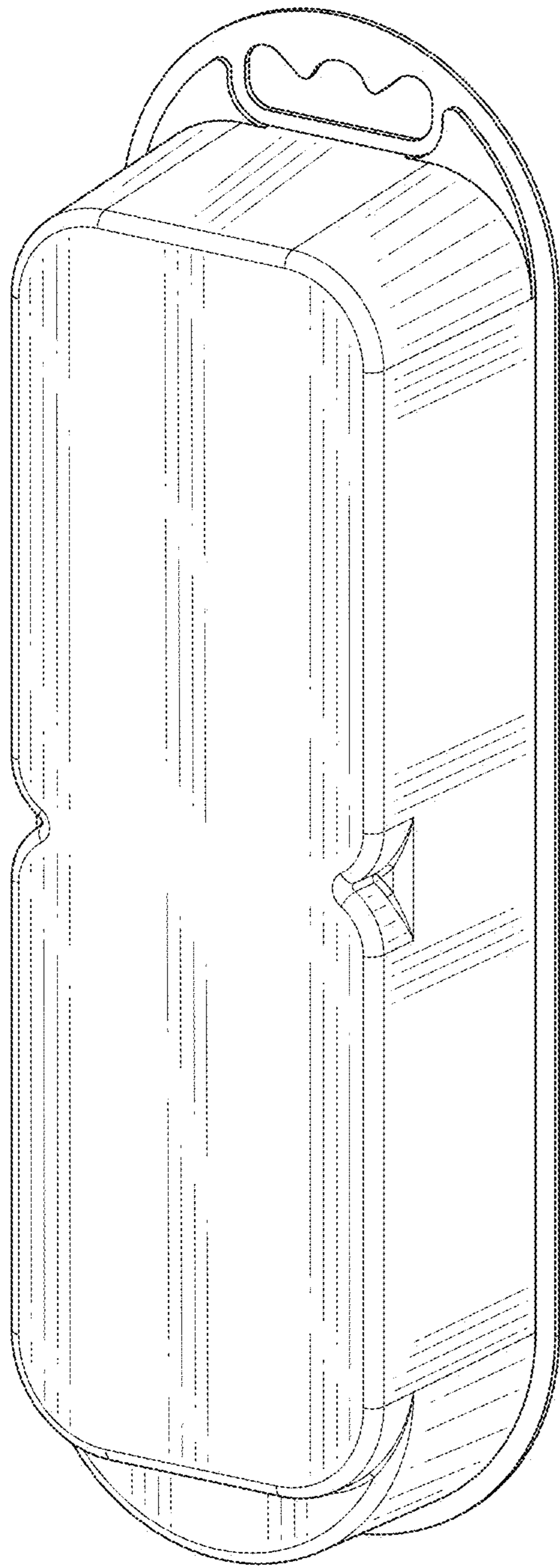


FIG. 15

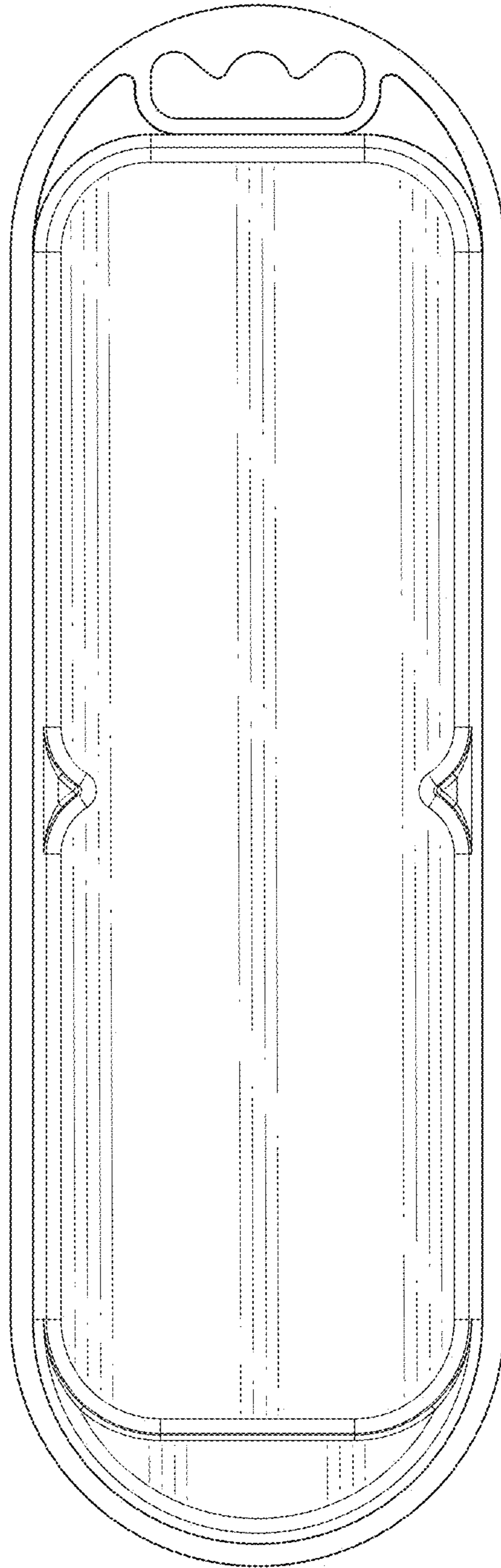


FIG. 16



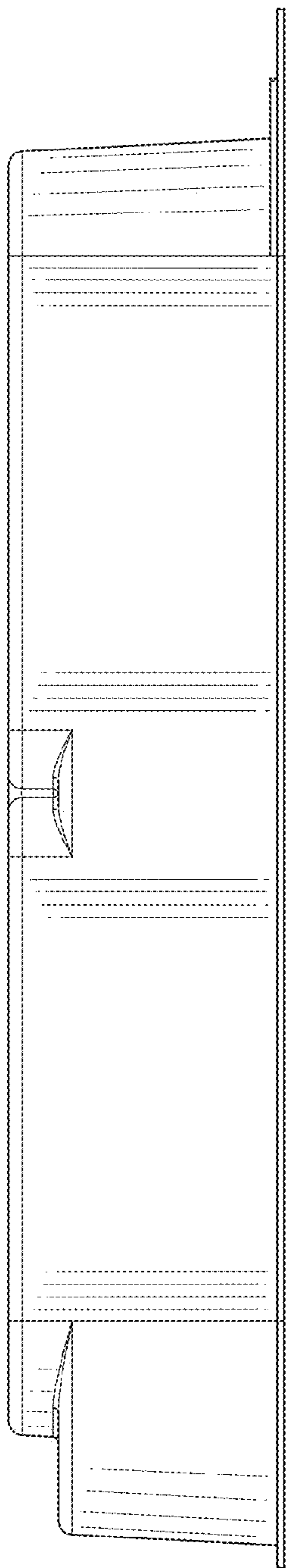


FIG. 17

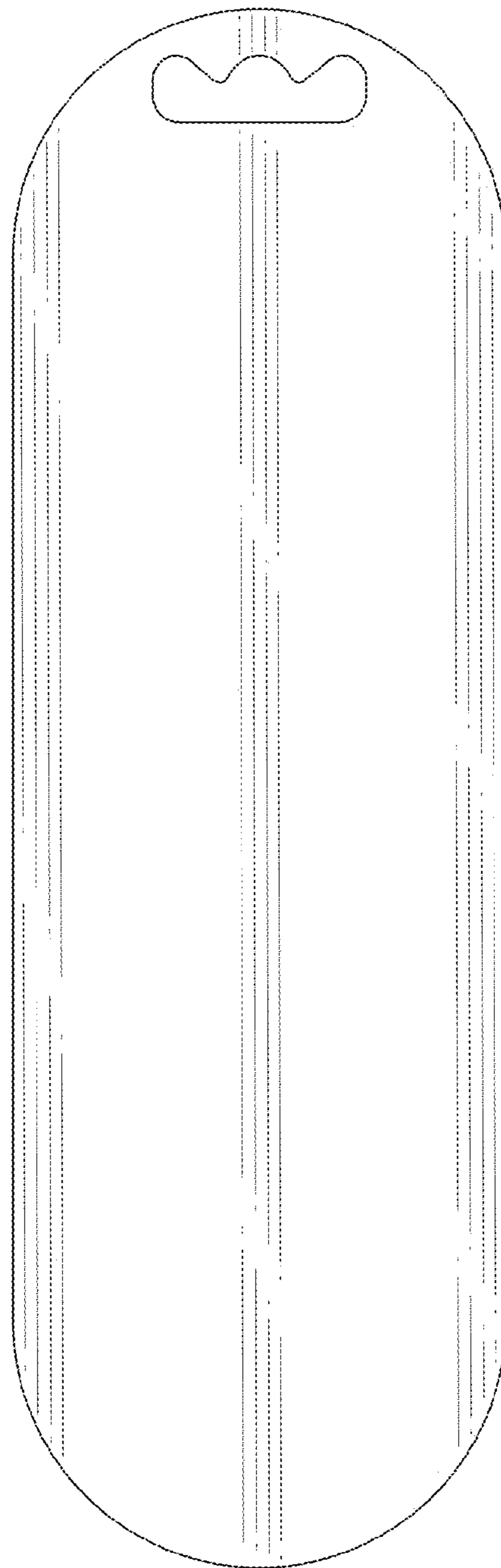


FIG. 18

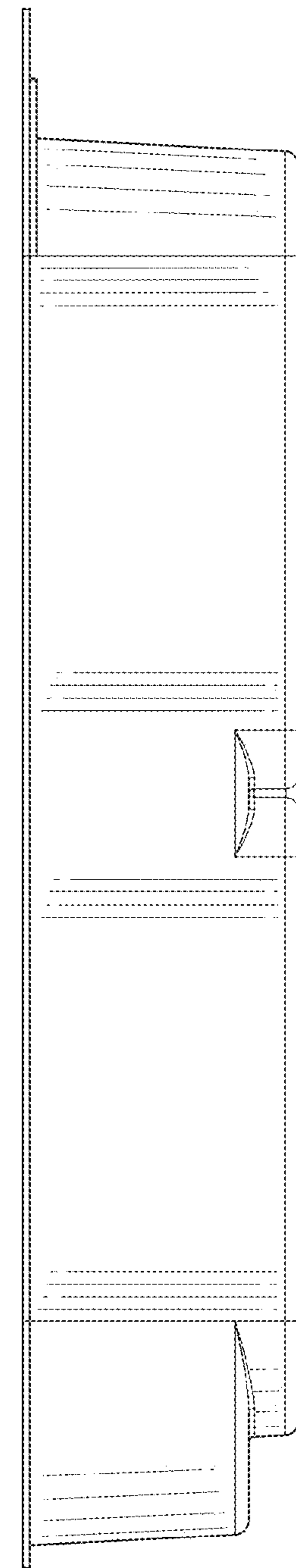


FIG. 19

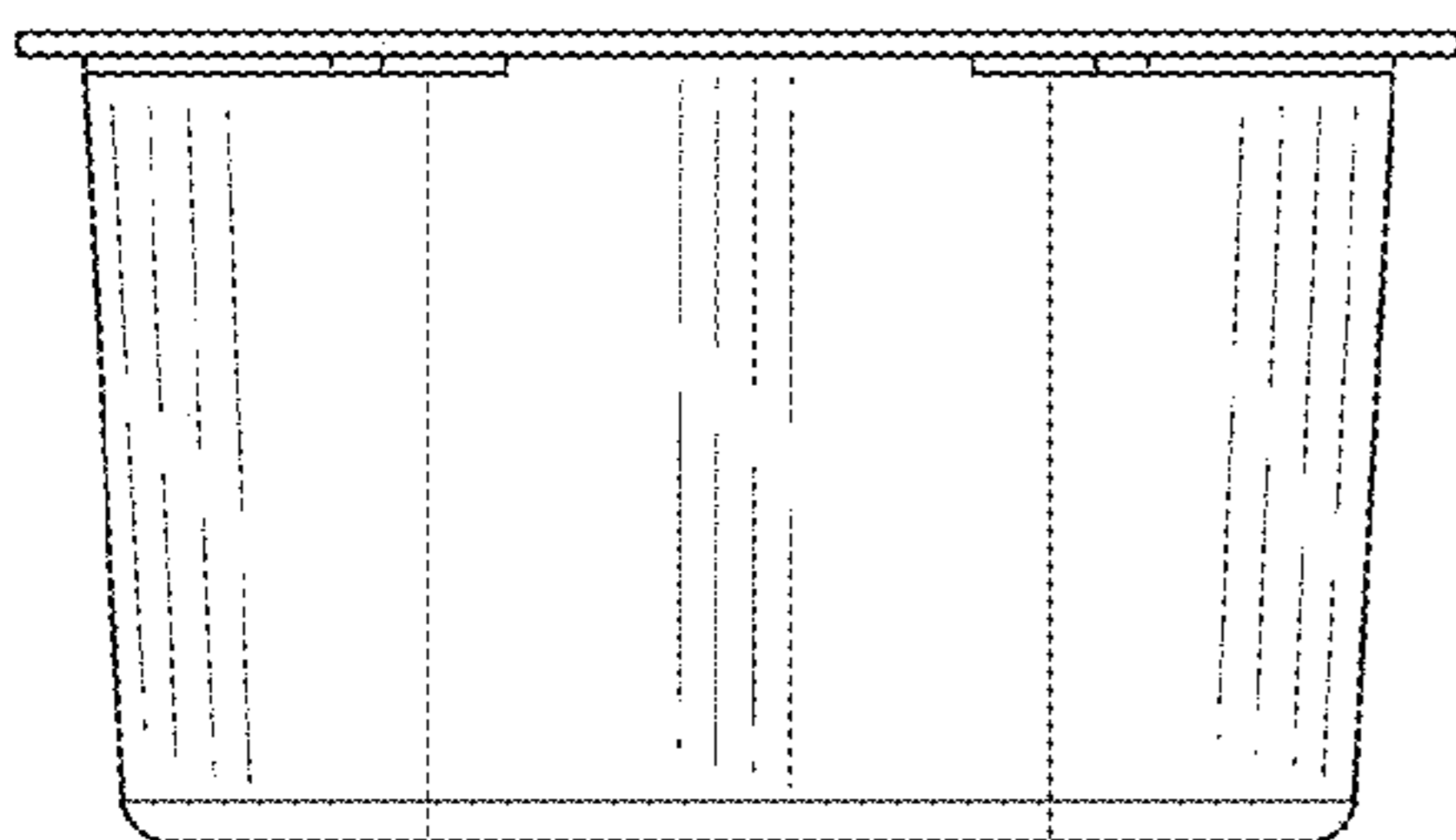


FIG. 20

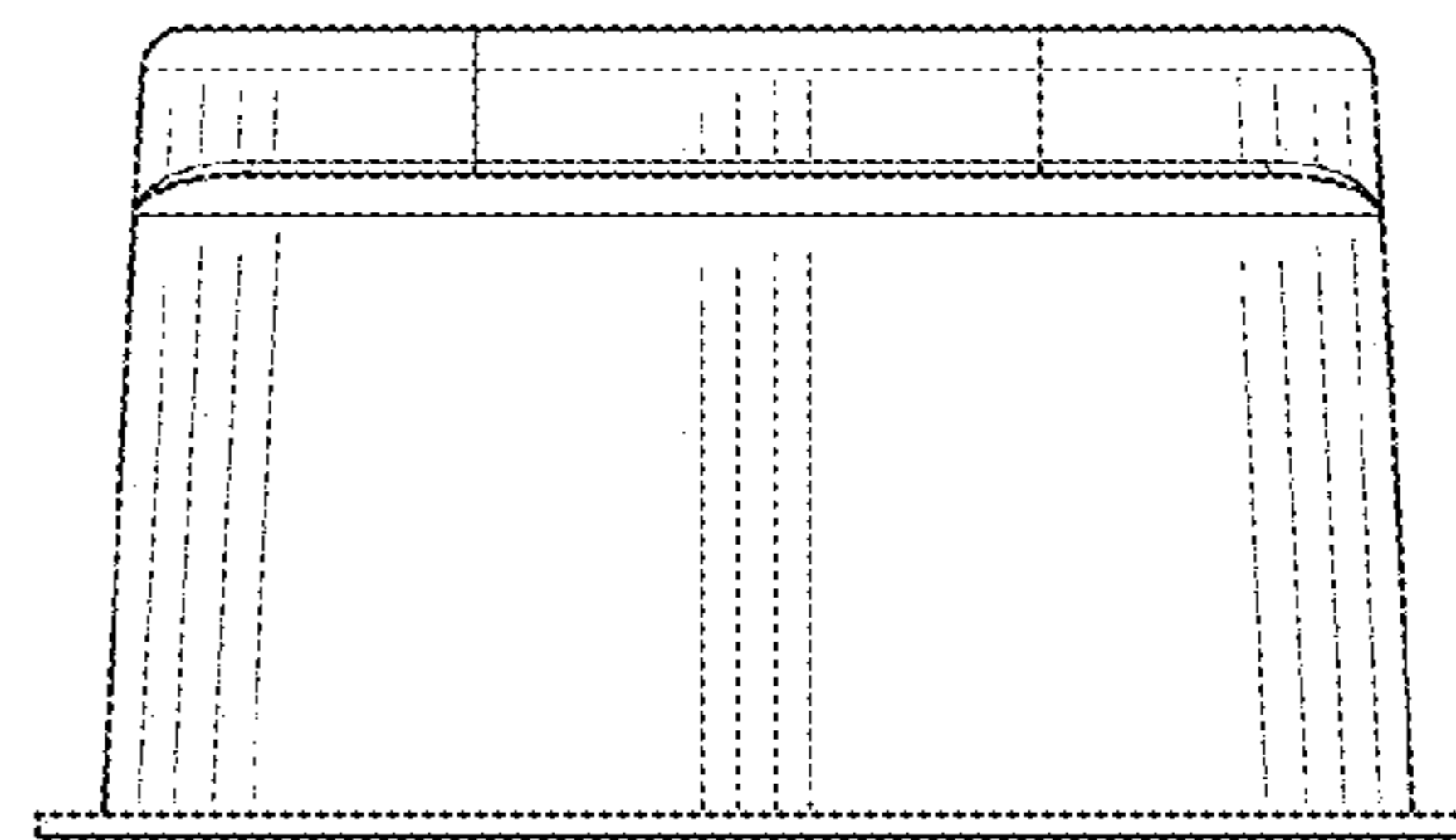


FIG. 21



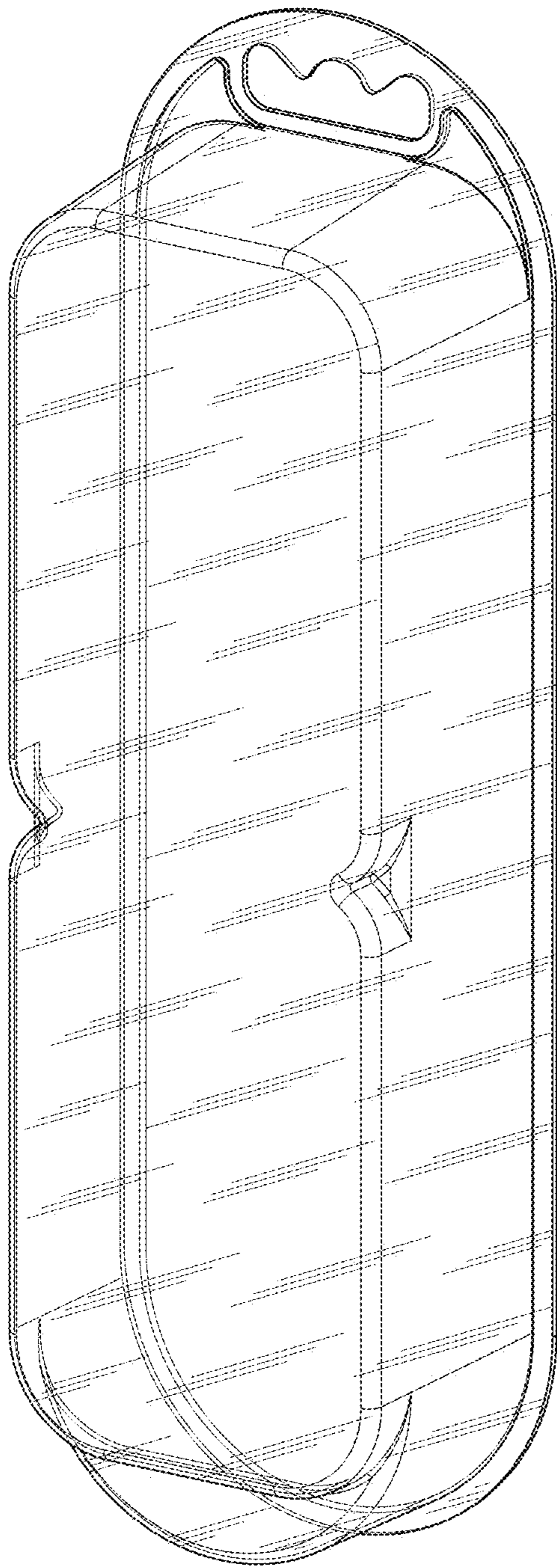


FIG. 22

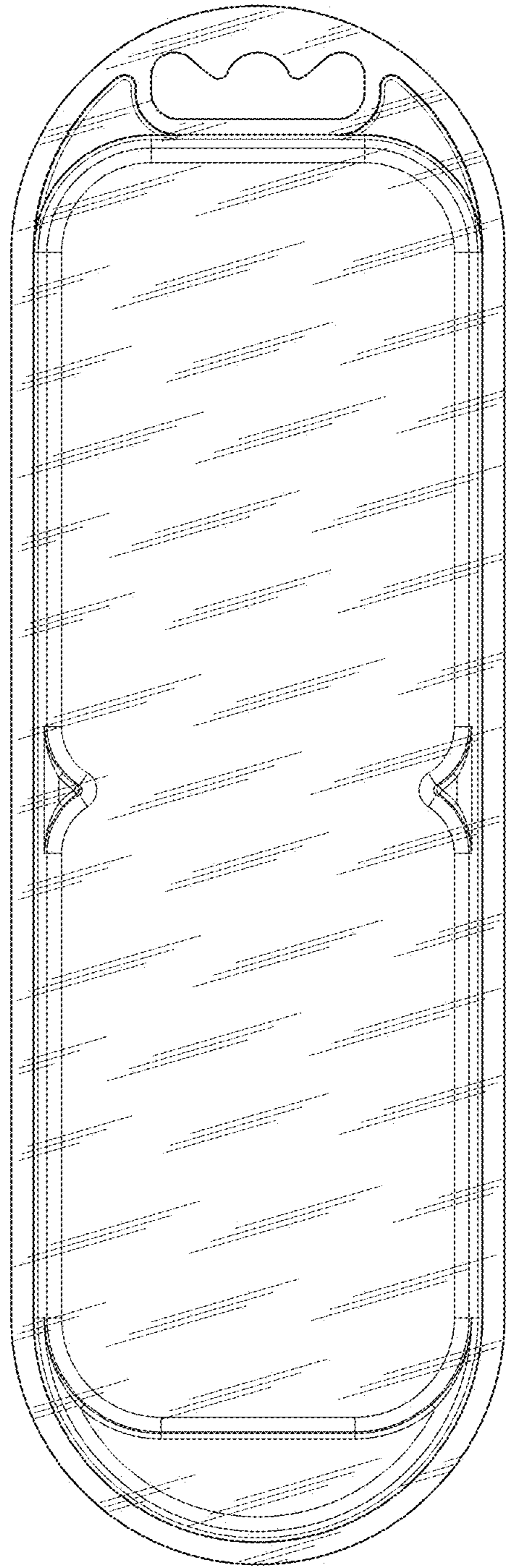


FIG. 23

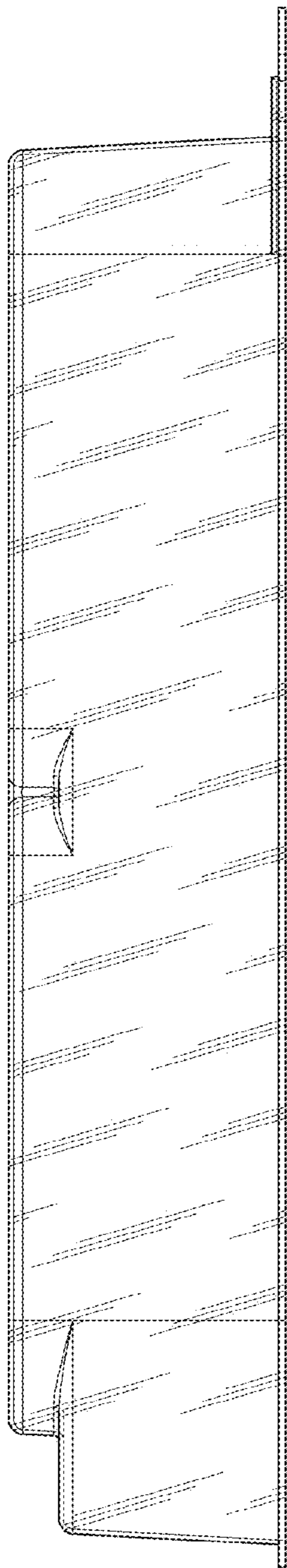


FIG. 24

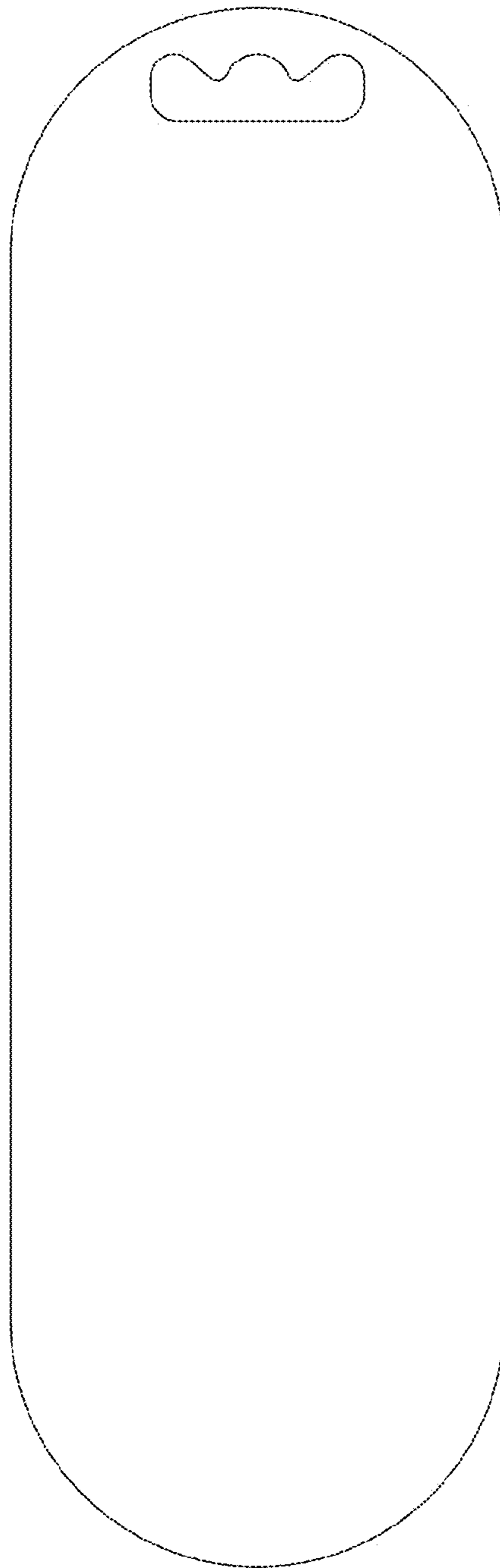


FIG. 25

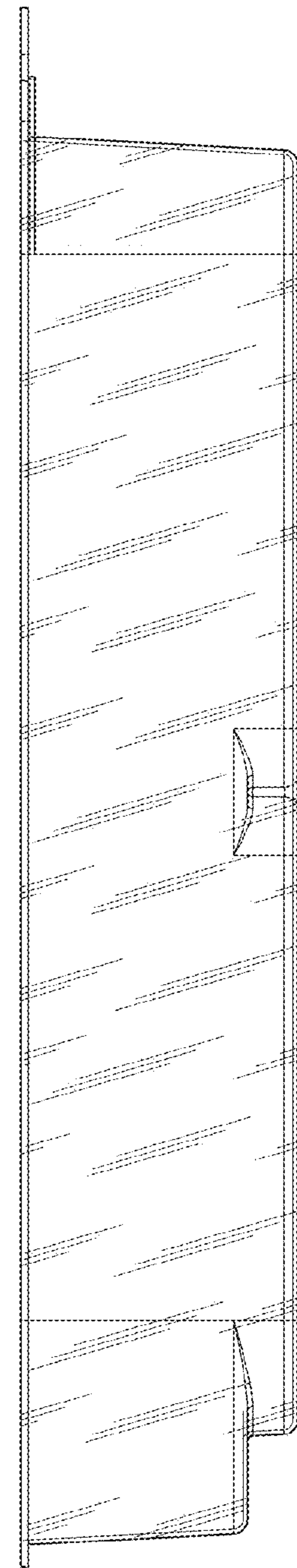


FIG. 26

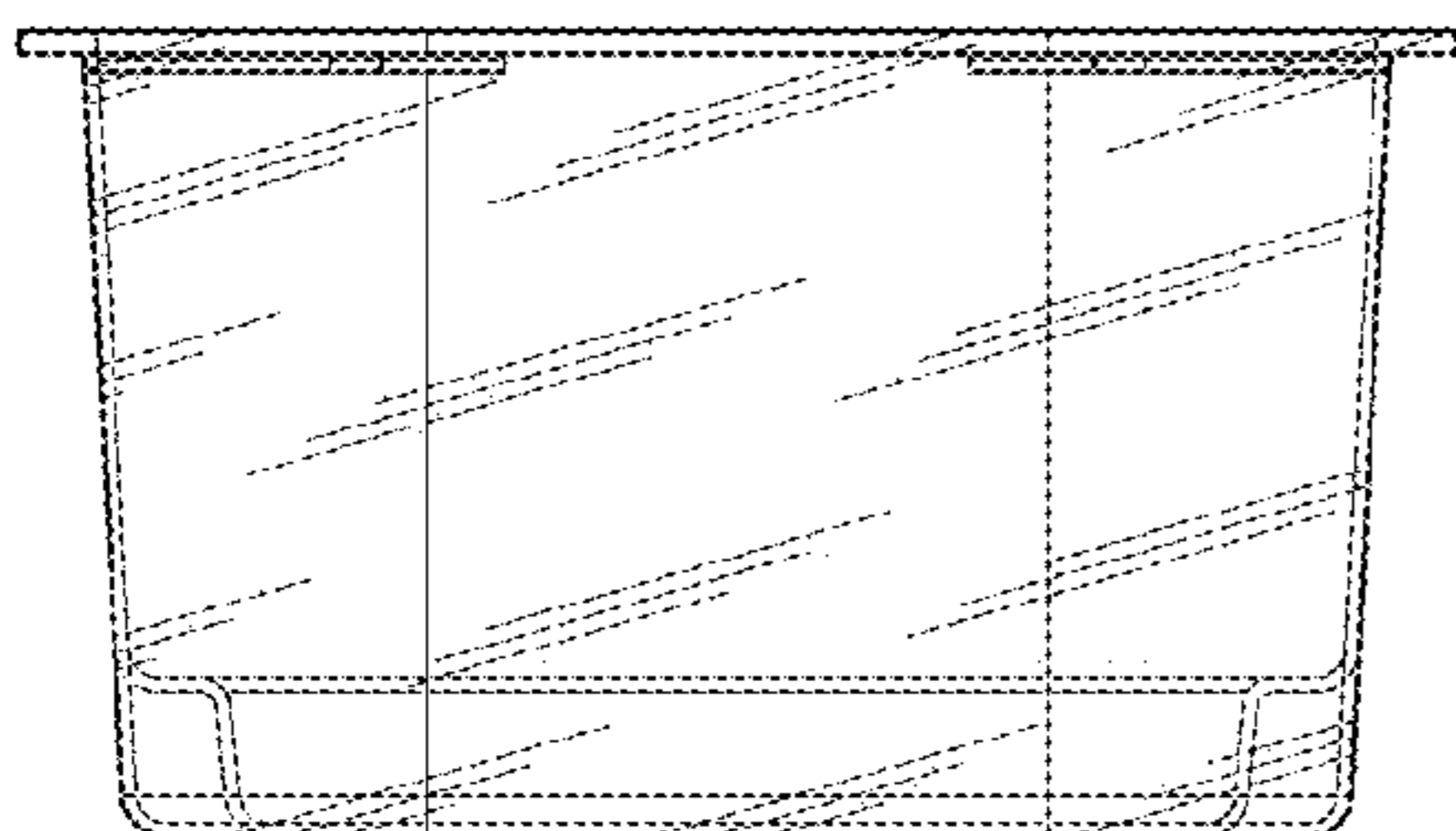


FIG. 27

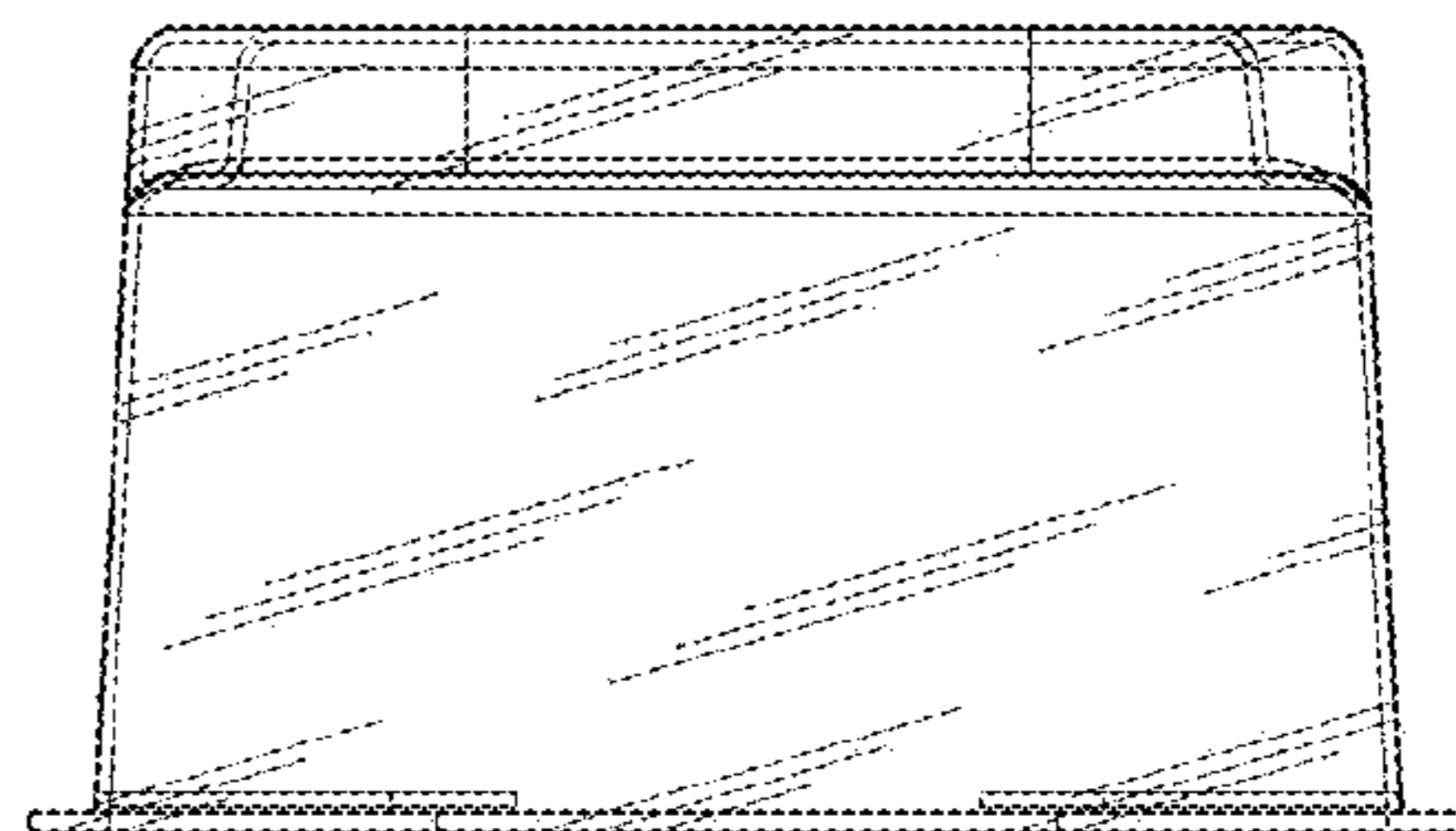


FIG. 28