



US00D918706S

(12) **United States Design Patent** (10) **Patent No.:** **US D918,706 S**  
**Lee** (45) **Date of Patent:** **\*\* May 11, 2021**

(54) **RECTANGULAR GATE WALL PROTECTOR**

(71) Applicant: **Sangyul Lee**, Pyeongtaek-si (KR)

(72) Inventor: **Sangyul Lee**, Pyeongtaek-si (KR)

(\*\*) Term: **15 Years**

(21) Appl. No.: **29/672,500**

(22) Filed: **Dec. 6, 2018**

(51) **LOC (13) Cl.** ..... **08-09**

(52) **U.S. Cl.**  
USPC ..... **D8/402**

(58) **Field of Classification Search**  
USPC ..... D8/380, 381, 400, 402, 499  
CPC .... E04F 19/026; E04F 11/1804; A47B 95/00;  
A47B 97/00

See application file for complete search history.

(56) **References Cited**

**U.S. PATENT DOCUMENTS**

D288,291 S \* 2/1987 Angle ..... D8/350  
D352,889 S \* 11/1994 Crowther ..... D8/400  
D356,274 S \* 3/1995 Ross ..... D10/104.1  
D552,981 S \* 10/2007 Yamaguchi ..... D8/402  
D553,487 S \* 10/2007 Quan ..... D8/402  
D741,690 S \* 10/2015 Collins, IV ..... D8/354

D743,852 S \* 11/2015 Rouzaud ..... D12/167  
D821,191 S \* 6/2018 Hancock ..... D8/402  
D829,091 S \* 9/2018 Hancock ..... D8/402  
D879,599 S \* 3/2020 Cantwell ..... D8/402  
2008/0135567 A1\* 6/2008 McGee ..... A47B 97/00  
220/694  
2012/0023707 A1\* 2/2012 Edwards ..... B62B 15/00  
16/42 R

\* cited by examiner

*Primary Examiner* — John Windmuller

(74) *Attorney, Agent, or Firm* — STIP Law Group, LLC

(57) **CLAIM**

The ornamental design for a rectangular gate wall protector, as shown and described.

**DESCRIPTION**

FIG. 1 is a perspective view of the rectangular gate wall protector, showing the present design.  
FIG. 2 is a front view thereof.  
FIG. 3 is a rear view thereof.  
FIG. 4 is a left side view thereof.  
FIG. 5 is a right side view thereof.  
FIG. 6 is a top view of thereof; and,  
FIG. 7 is a bottom view thereof.

**1 Claim, 7 Drawing Sheets**

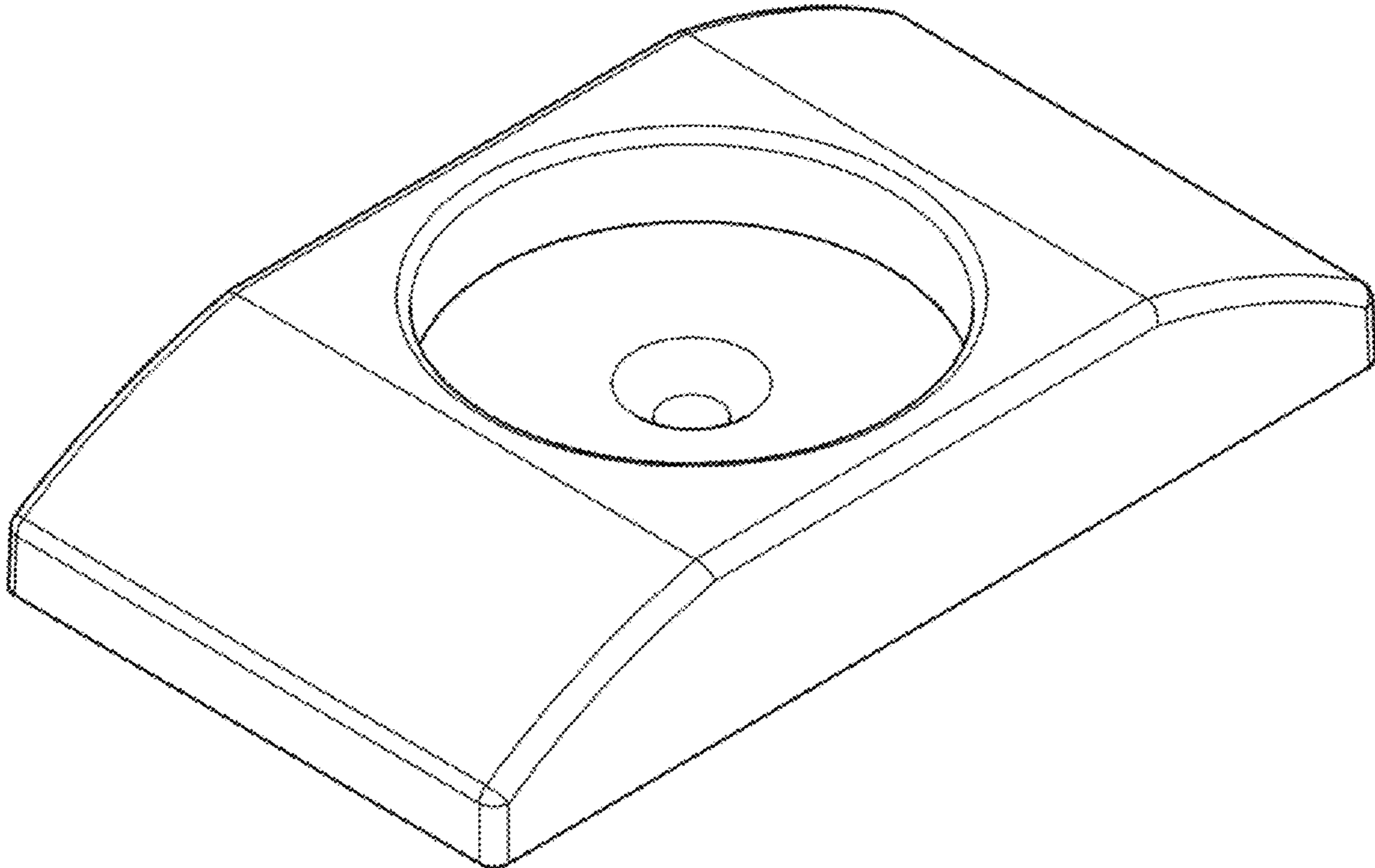


FIG. 1

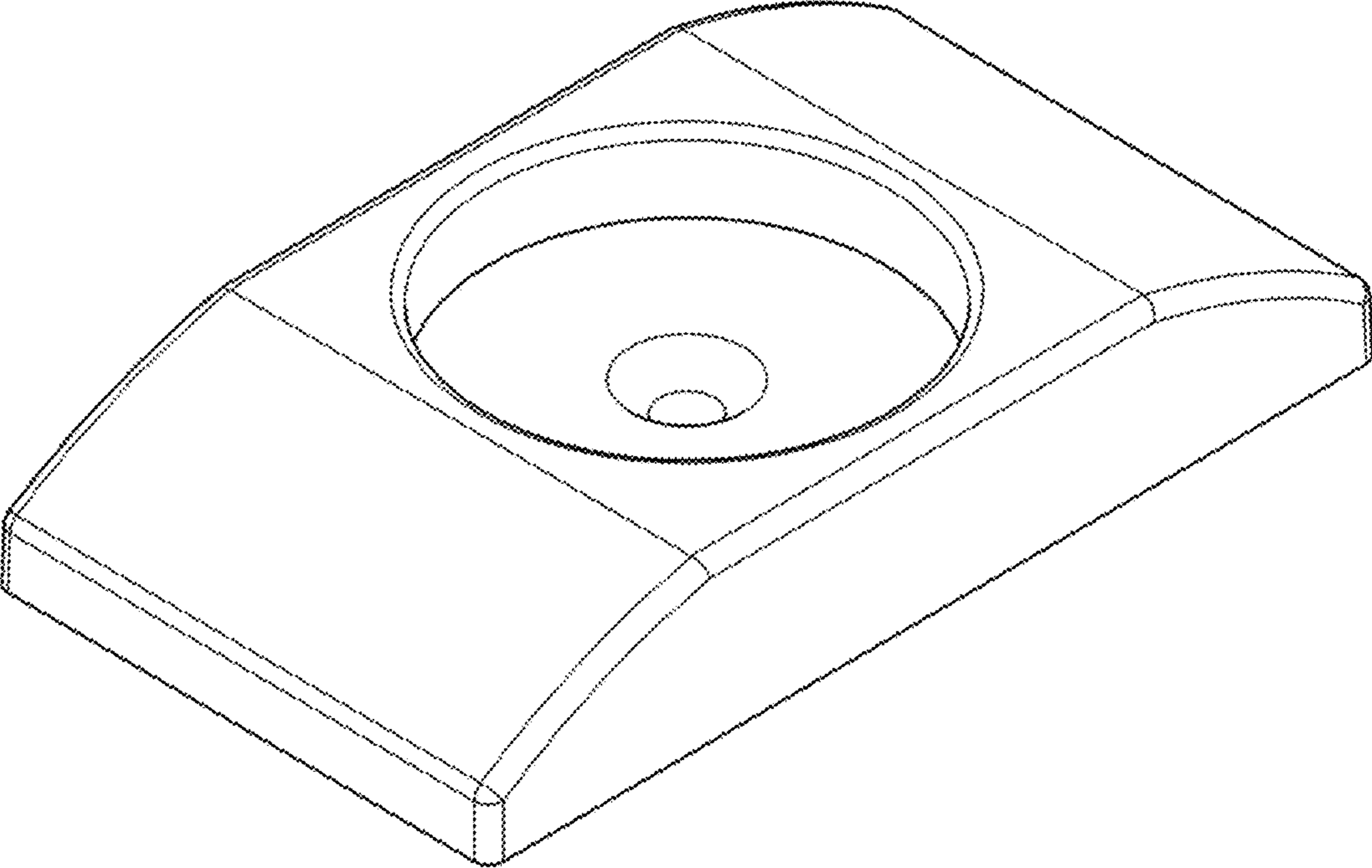


FIG. 2

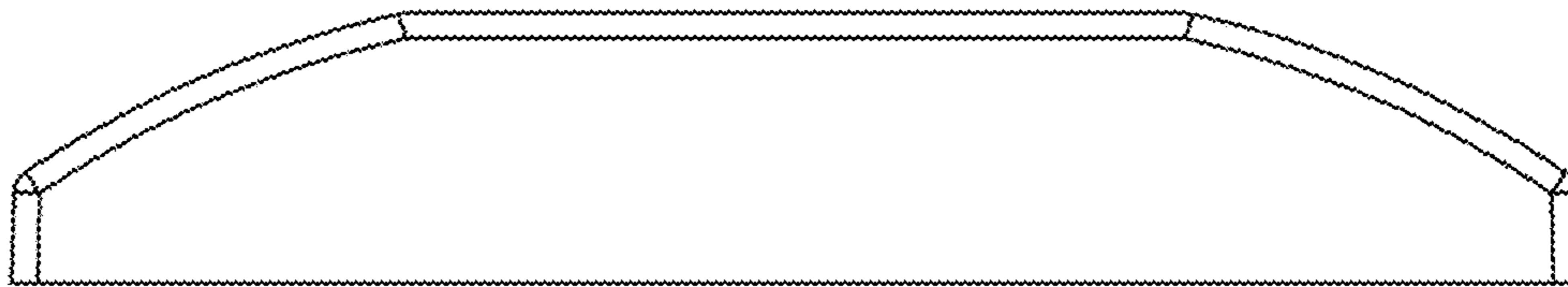


FIG. 3

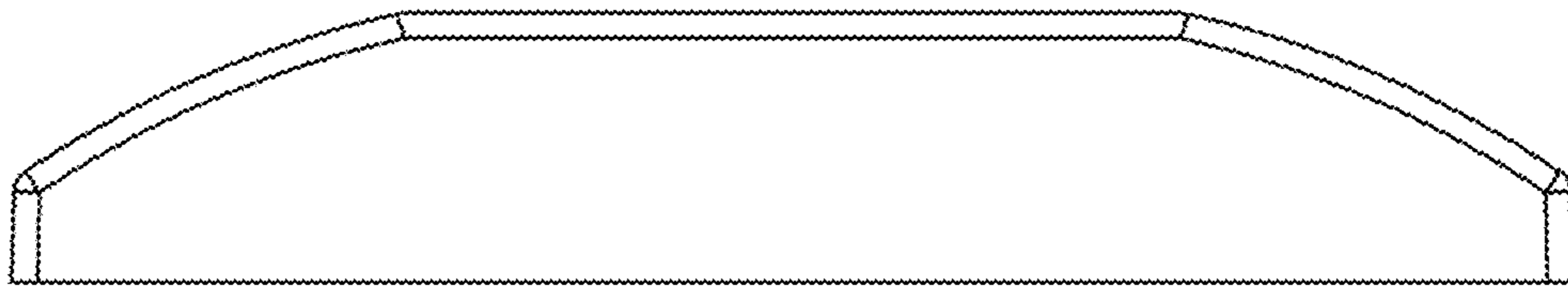


FIG. 4

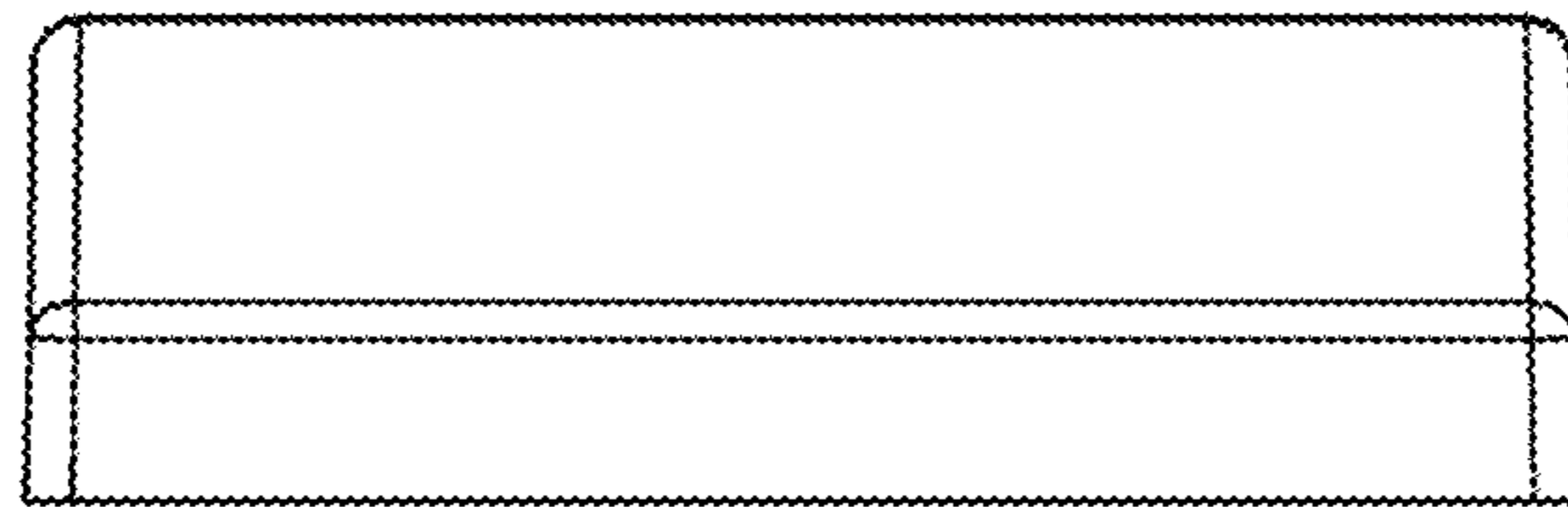


FIG. 5

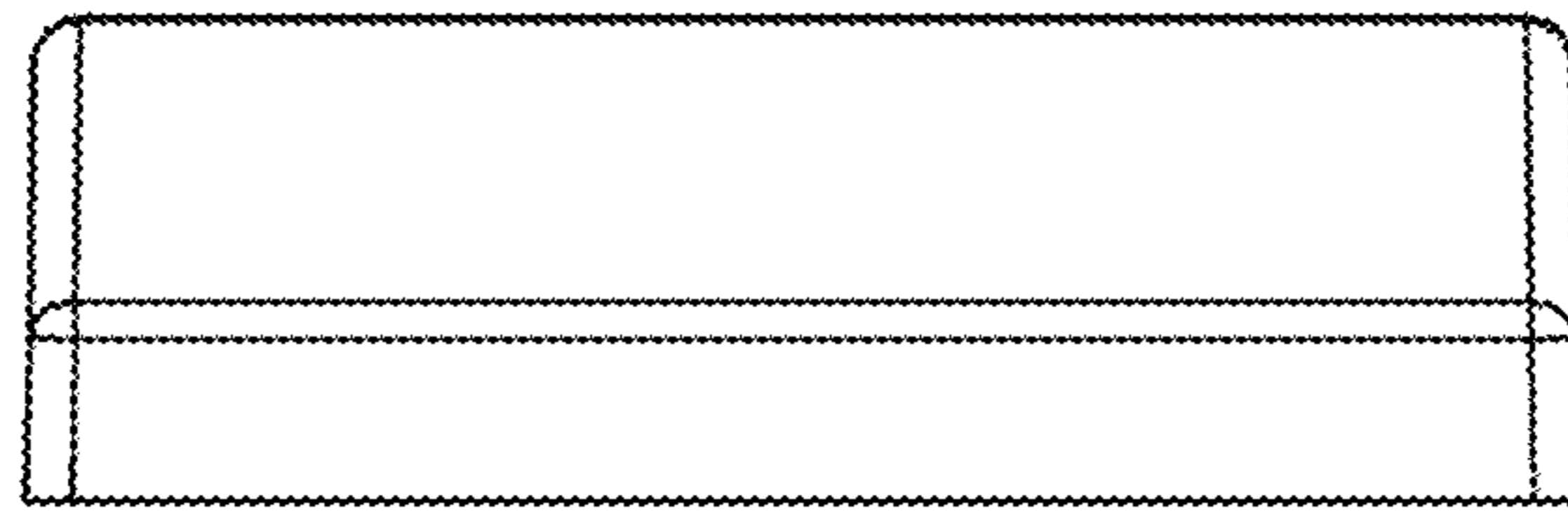


FIG. 6

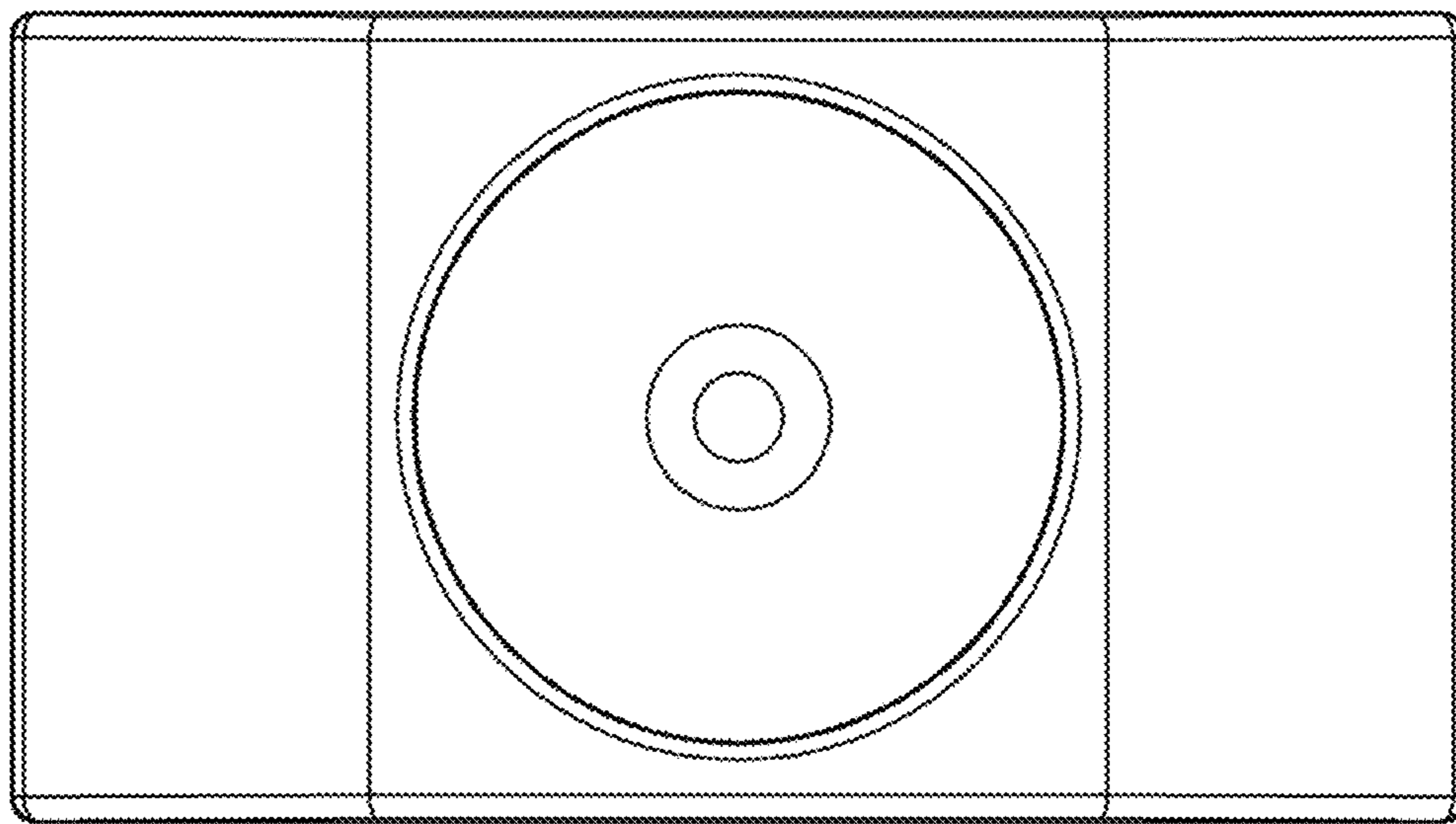


FIG. 7

