



US00D918705S

(12) **United States Design Patent** (10) **Patent No.:** **US D918,705 S**
Lee (45) **Date of Patent:** **** May 11, 2021**

(54) **SQUARE GATE WALL PROTECTOR**
(71) Applicant: **Sangyul Lee**, Pyeongtaek-si (KR)
(72) Inventor: **Sangyul Lee**, Pyeongtaek-si (KR)
(**) Term: **15 Years**
(21) Appl. No.: **29/672,499**
(22) Filed: **Dec. 6, 2018**
(51) **LOC (13) Cl.** **08-09**
(52) **U.S. Cl.**
USPC **D8/402**
(58) **Field of Classification Search**
USPC D8/380, 381, 400, 402, 499
CPC E04F 19/026; E04F 11/1804; A47B 95/00;
A47B 97/00
See application file for complete search history.

D743,852 S * 11/2015 Rouzaud D12/167
D821,191 S * 6/2018 Hancock D8/402
D829,091 S * 9/2018 Hancock D8/402
D879,599 S * 3/2020 Cantwell D8/402
2008/0135567 A1* 6/2008 McGee A47B 97/00
220/694
2012/0023707 A1* 2/2012 Edwards B62B 15/00
16/42 R

* cited by examiner

Primary Examiner — John Windmuller
(74) *Attorney, Agent, or Firm* — STIP Law Group, LLC

(57) **CLAIM**

The ornamental design for a square gate wall protector, as shown and described.

DESCRIPTION

FIG. 1 is a perspective view of the square gate wall protector, showing the present design.
FIG. 2 is a front view thereof.
FIG. 3 is a rear view thereof.
FIG. 4 is a left side view thereof.
FIG. 5 is a right side view thereof.
FIG. 6 is a top view of thereof; and,
FIG. 7 is a bottom view thereof.

1 Claim, 7 Drawing Sheets

(56) **References Cited**
U.S. PATENT DOCUMENTS
D288,291 S * 2/1987 Angle D8/350
D352,889 S * 11/1994 Crowther D8/400
D356,274 S * 3/1995 Ross D10/104.1
D552,981 S * 10/2007 Yamaguchi D8/402
D553,487 S * 10/2007 Quan D8/402
D668,138 S * 10/2012 Aquil D8/402
D741,690 S * 10/2015 Collins, IV D8/354

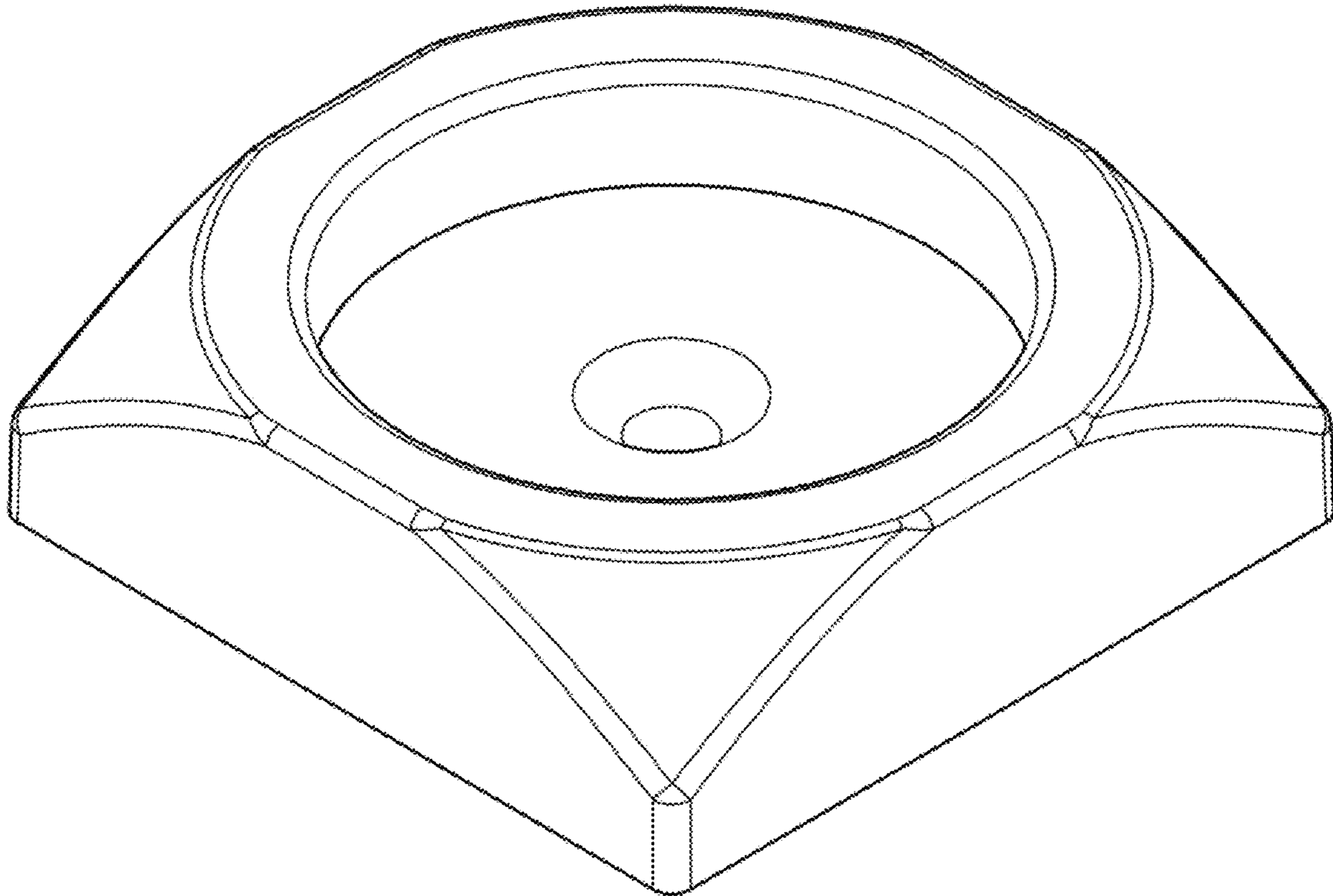


FIG. 1

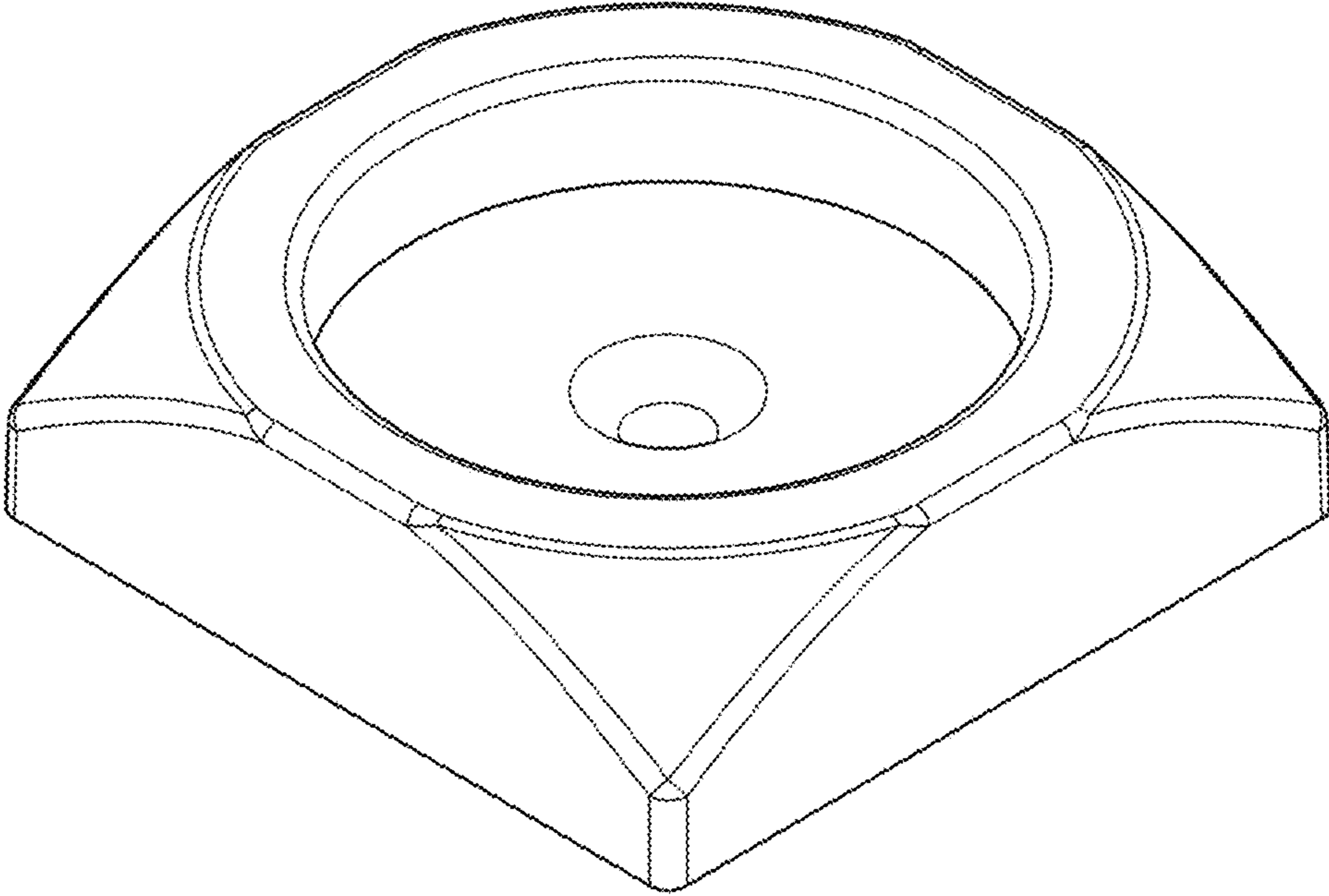


FIG. 2

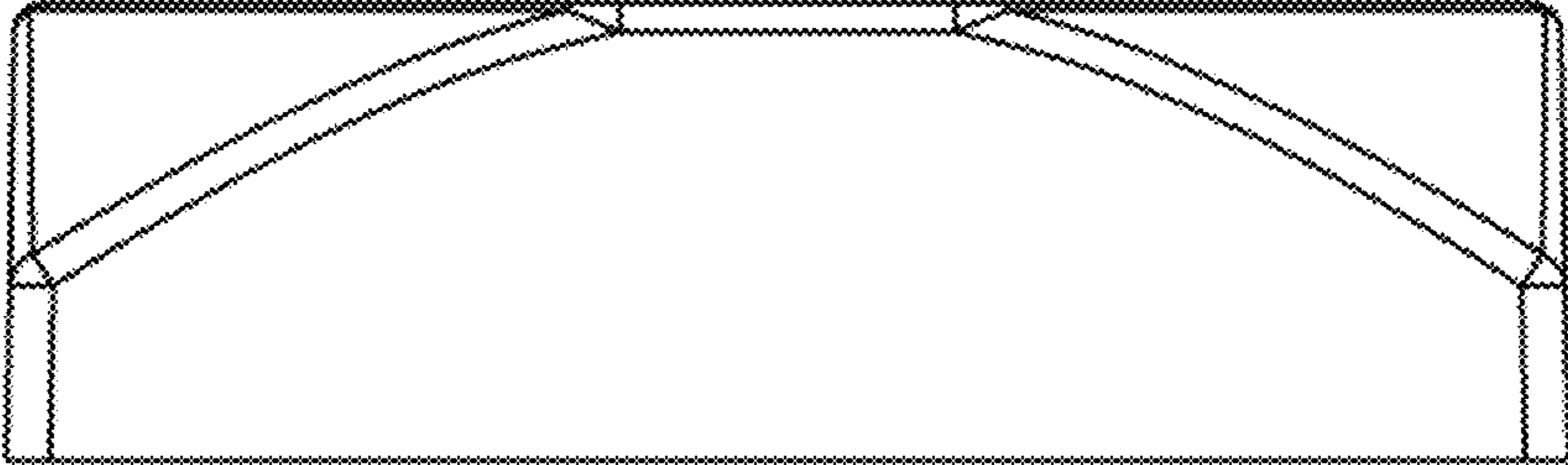


FIG. 3

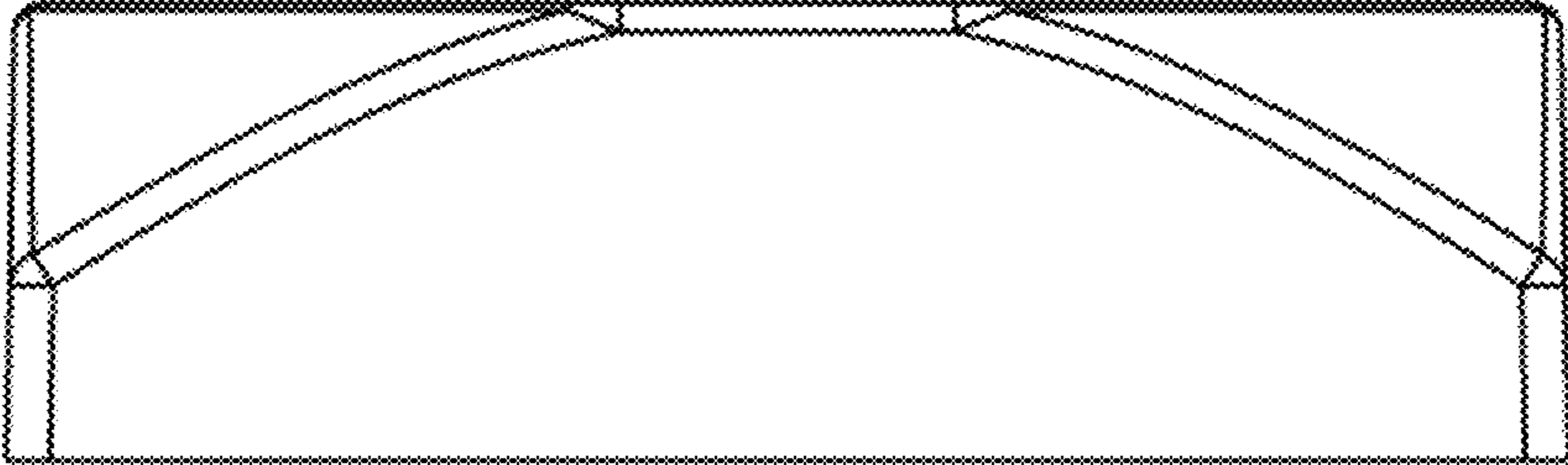


FIG. 4

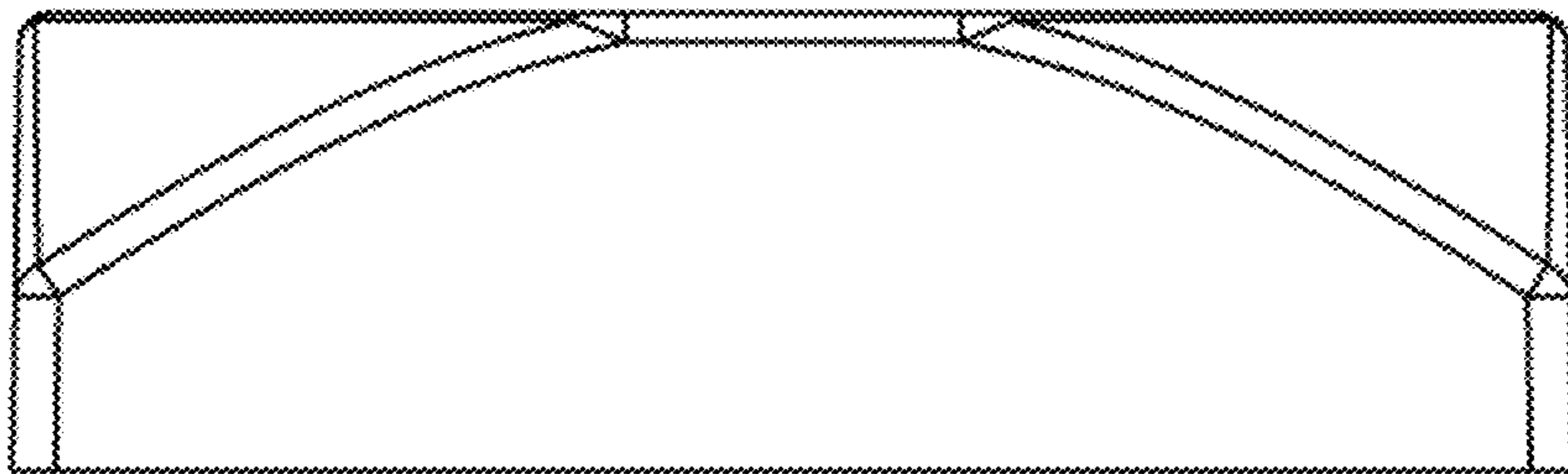


FIG. 5

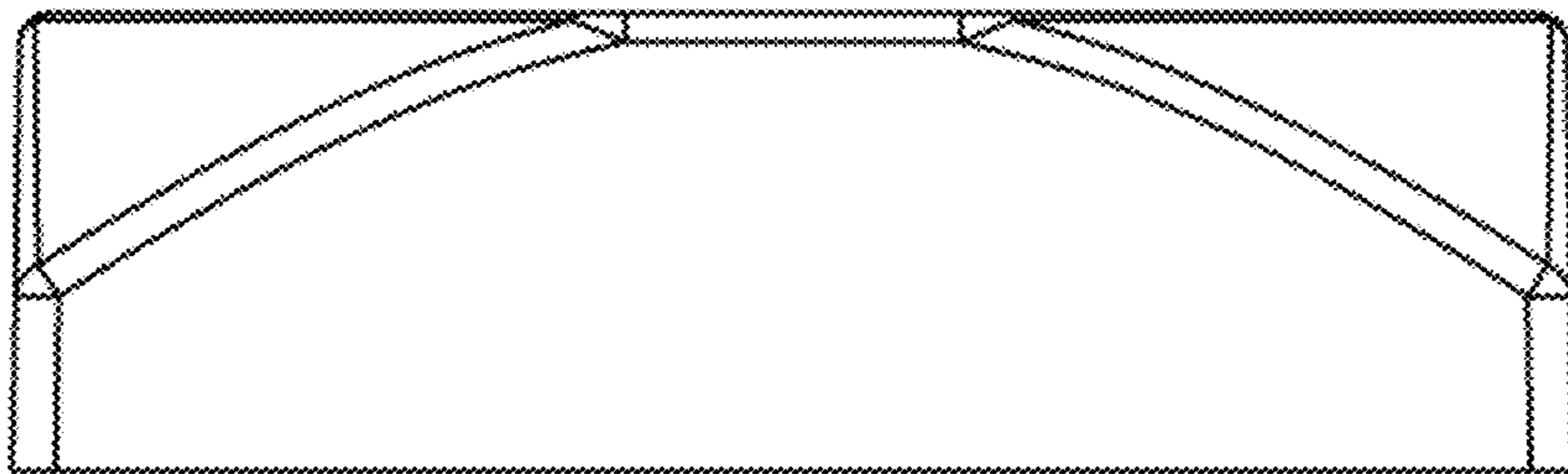


FIG. 6

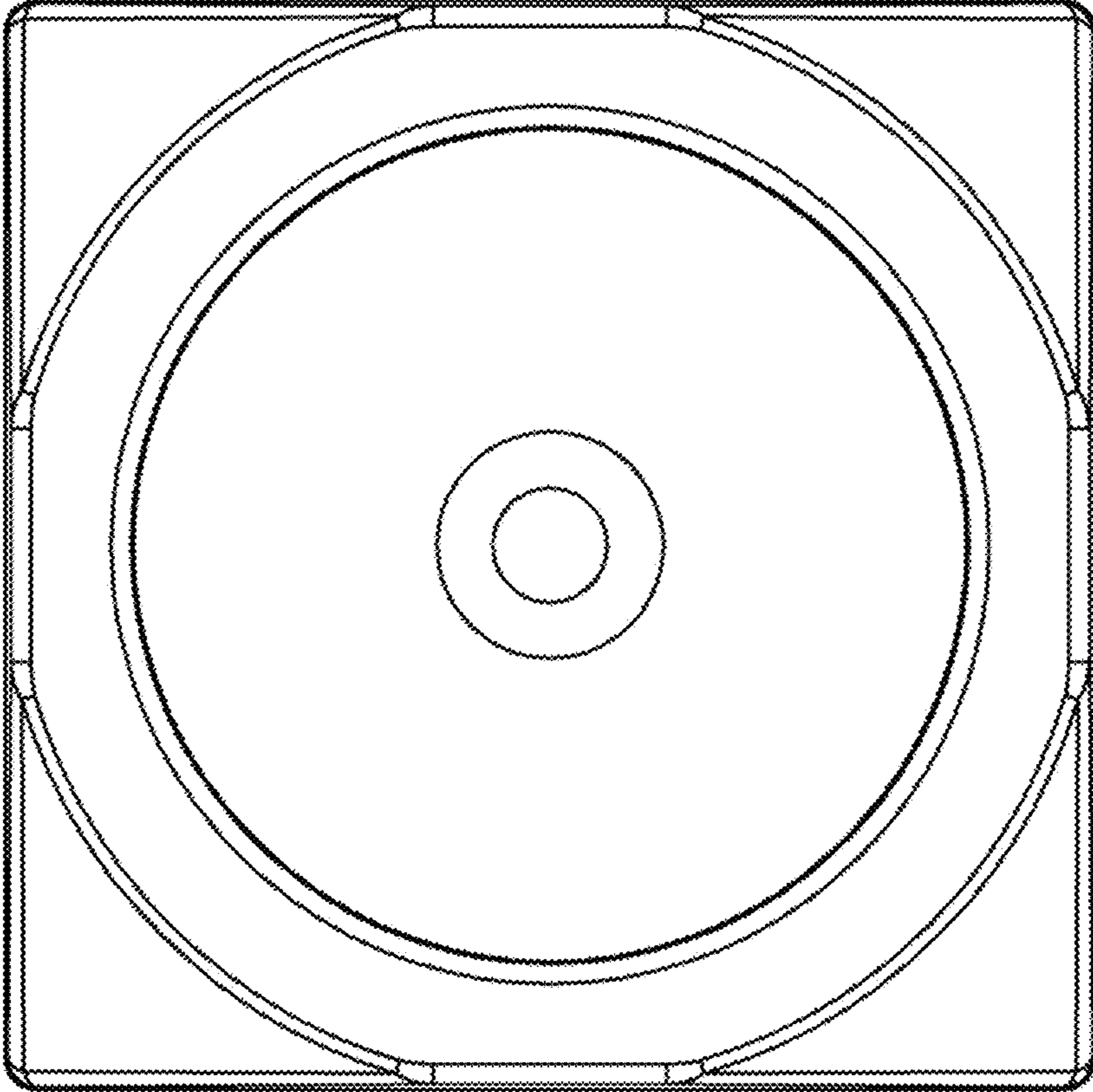


FIG. 7

