



US00D918704S

(12) **United States Design Patent** (10) **Patent No.:** **US D918,704 S**
Klotz (45) **Date of Patent:** **** May 11, 2021**

(54) **BOLT**
(71) Applicant: **Otto Ganter GmbH & Co. KG**
Normteilefabrik, Furtwangen (DE)
(72) Inventor: **Uwe Klotz, Brigachtal (DE)**
(73) Assignee: **OTTO GANTER GmbH & CO. KG**
NORMTEILEFABRIK, Furtwangen
(DE)

2,552,794 A * 5/1951 Kimbell F16B 37/02
411/427
2,727,551 A * 12/1955 Rees F16B 39/34
411/303
2,835,720 A * 5/1958 Buskirk H01M 2/1205
429/89
D198,713 S * 7/1964 Curtiss D8/397
D218,674 S * 9/1970 Ernest D8/387
D220,027 S * 3/1971 Myers D8/397
D223,187 S * 3/1972 Wing D8/397

(Continued)

(**) Term: **15 Years**
(21) Appl. No.: **29/701,307**
(22) Filed: **Aug. 9, 2019**

Primary Examiner — Cynthia R Underwood
(74) *Attorney, Agent, or Firm* — Browdy and Niemark,
P.L.L.C.

(30) **Foreign Application Priority Data**

Feb. 11, 2019 (EM) 006219002

(51) **LOC (13) Cl.** **08-08**

(52) **U.S. Cl.**
USPC **D8/397**

(58) **Field of Classification Search**
USPC D8/397, 394, 382, 349, 399, 387, 70, 29,
D8/83, 86; 411/376.2, 84, 446, 399, 490,
411/455
CPC F16B 37/068; F16B 33/002; F16B 41/002;
F16B 5/0208; F01N 13/009
See application file for complete search history.

(56) **References Cited**

U.S. PATENT DOCUMENTS

D23,917 S * 12/1894 Lane D8/397
1,029,775 A * 6/1912 Tobin F16B 39/10
411/191
D57,407 S * 3/1921 Walker D23/269
2,120,577 A * 6/1938 Schulte F16B 13/0858
411/71
D134,789 S * 1/1943 Gade 411/276

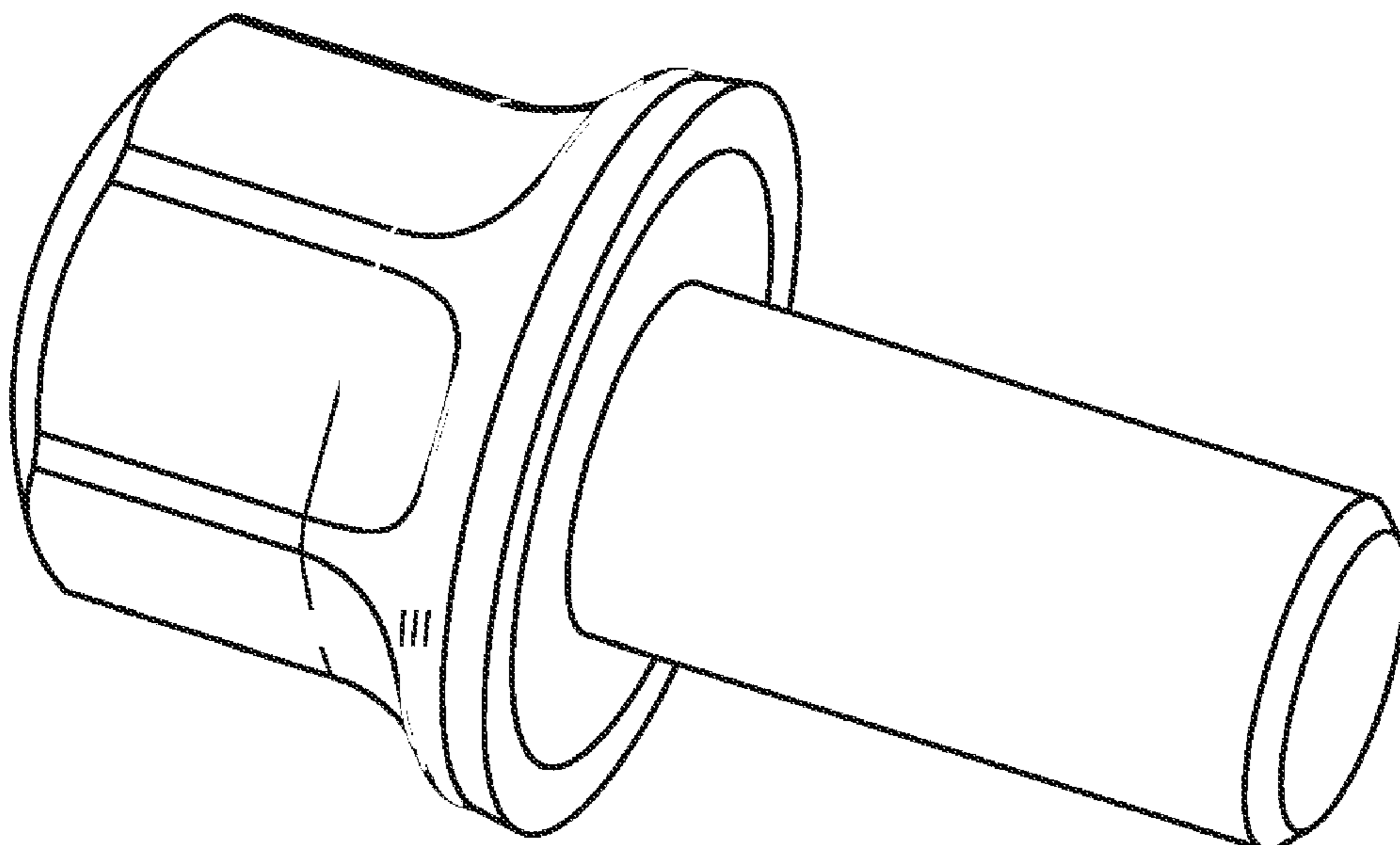
(57) **CLAIM**

The ornamental design for a bolt, as shown.

DESCRIPTION

The patent or application file contains at least one drawing executed in color. Copies of this patent or patent application publication with color drawing(s) will be provided by the Office upon request and payment of the necessary fee.
FIG. 1 is a first embodiment of a first perspective view of a bolt, showing my new design;
FIG. 2 is a bottom view thereof;
FIG. 3 is a top view thereof;
FIG. 4 is a second perspective view thereof;
FIG. 5 is side view thereof;
FIG. 6 is a third perspective view thereof; and
FIG. 7 is a second embodiment of a first perspective view of a bolt, showing my new design;
FIG. 8 is a second perspective view thereof;
FIG. 9 is a bottom view thereof;
FIG. 10 is a top view thereof;
FIG. 11 is a side view thereof; and,
FIG. 12 is a third perspective view thereof.

1 Claim, 12 Drawing Sheets
(6 of 12 Drawing Sheet(s) Filed in Color)



(56)

References Cited

U.S. PATENT DOCUMENTS

3,702,628 A * 11/1972 Cosenza F16B 39/36
411/280
D233,652 S * 11/1974 Wing D8/397
4,019,550 A * 4/1977 DeHaitre F16B 33/004
411/303
D244,908 S * 7/1977 Hatter et al. D8/397
D244,909 S * 7/1977 Gill D8/397
D273,561 S * 4/1984 Ozaki D8/397
D281,953 S * 12/1985 Newman D8/397
D311,131 S * 10/1990 Saito D8/397
6,071,052 A * 6/2000 Kerr F16B 39/34
411/247
D446,111 S * 8/2001 Hussaini D8/29
D459,207 S * 6/2002 Miyata D8/397
D519,076 S * 4/2006 Fox D13/133
7,063,565 B2 * 6/2006 Ward 439/578
D532,684 S * 11/2006 Barnes D8/397
D535,259 S * 1/2007 Rodrigues et al. D13/151
D539,129 S * 3/2007 Griffiths D8/382
D551,972 S * 10/2007 Jacobs D9/445
D581,777 S * 12/2008 Huang D8/397
D601,507 S * 10/2009 Rodrigues D13/133
8,007,216 B2 * 8/2011 Ross F16B 37/122
156/73.1
D644,673 S * 9/2011 Drenth D15/138
8,210,783 B2 * 7/2012 Morrison 411/9
D679,988 S * 4/2013 Yamazaki D8/397
D703,521 S * 4/2014 Haynes D8/397
D738,714 S * 9/2015 Kuhmichel D8/397

D748,227 S * 1/2016 von Lepel D23/260
D749,197 S * 2/2016 von Lepel D23/260
D749,198 S * 2/2016 von Lepel D23/260
D749,199 S * 2/2016 von Lepel D23/260
9,297,407 B2 * 3/2016 Pudvah F16B 5/02
D798,701 S * 10/2017 Hill F16B 35/00
D8/397
D802,407 S * 11/2017 Foerster, Jr. D8/387
D802,410 S * 11/2017 Felix D8/397
D809,376 S * 2/2018 Huang D8/397
D825,322 S * 8/2018 Sears D8/397
D840,797 S * 2/2019 Bentley D8/397
D860,774 S * 9/2019 Epstein D8/397
D871,201 S * 12/2019 Shinjo D8/397
D899,915 S * 10/2020 Chen D8/397
2003/0039527 A1 * 2/2003 Schatz G01L 5/243
411/9
2003/0219325 A1 * 11/2003 Schultz F16B 37/125
411/178
2004/0136807 A1 * 7/2004 Foerster, Jr. F16B 37/127
411/178
2005/0136735 A1 * 6/2005 Rodrigues H01R 9/0524
439/578
2006/0013671 A1 * 1/2006 Lauderbaugh F16B 37/127
411/178
2011/0123293 A1 * 5/2011 Matlock F16B 37/14
411/429
2015/0184687 A1 * 7/2015 Weis B60B 3/16
411/373
2017/0122359 A1 * 5/2017 Foerster, Jr. F16B 25/0084

* cited by examiner

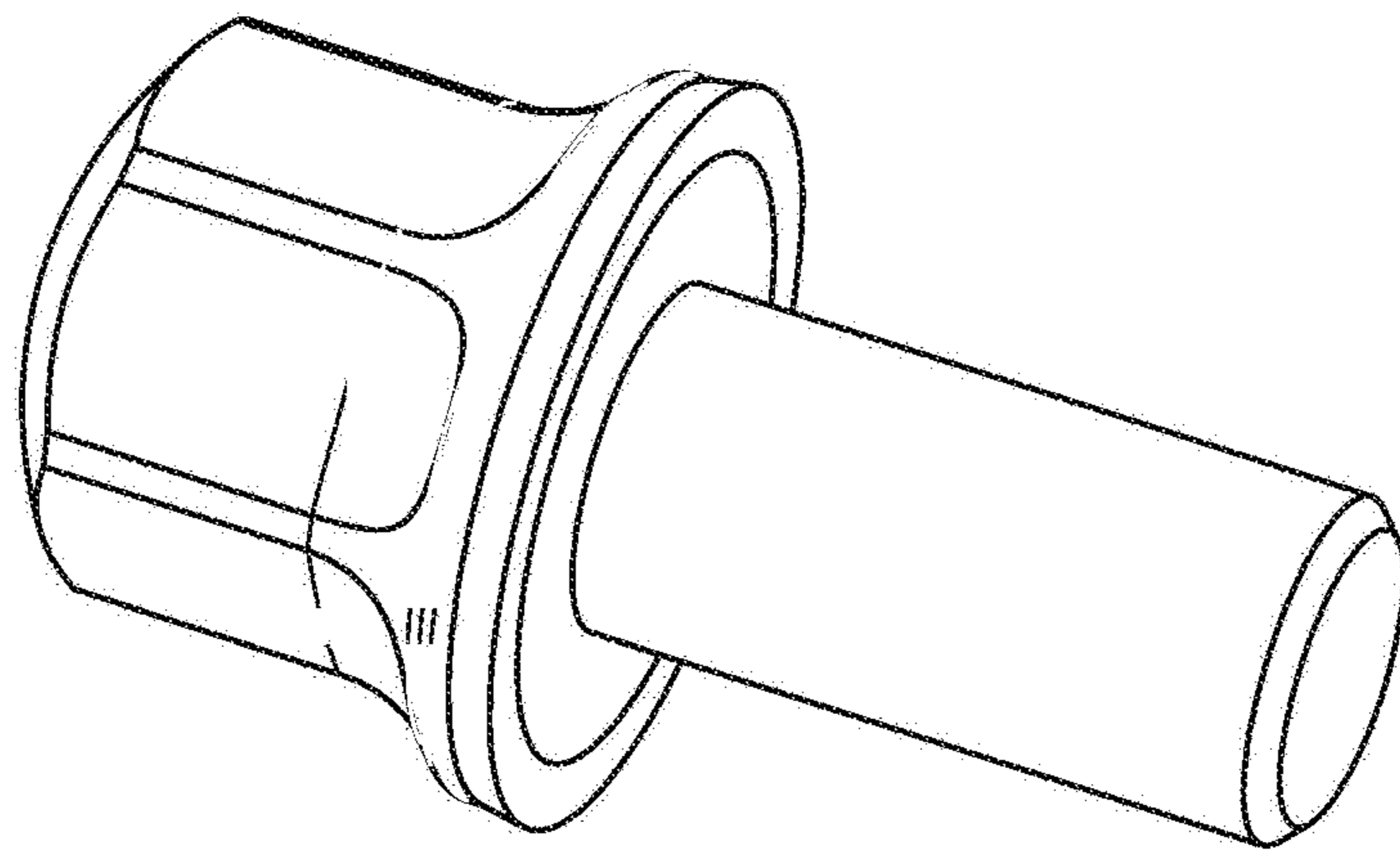


FIG. 1

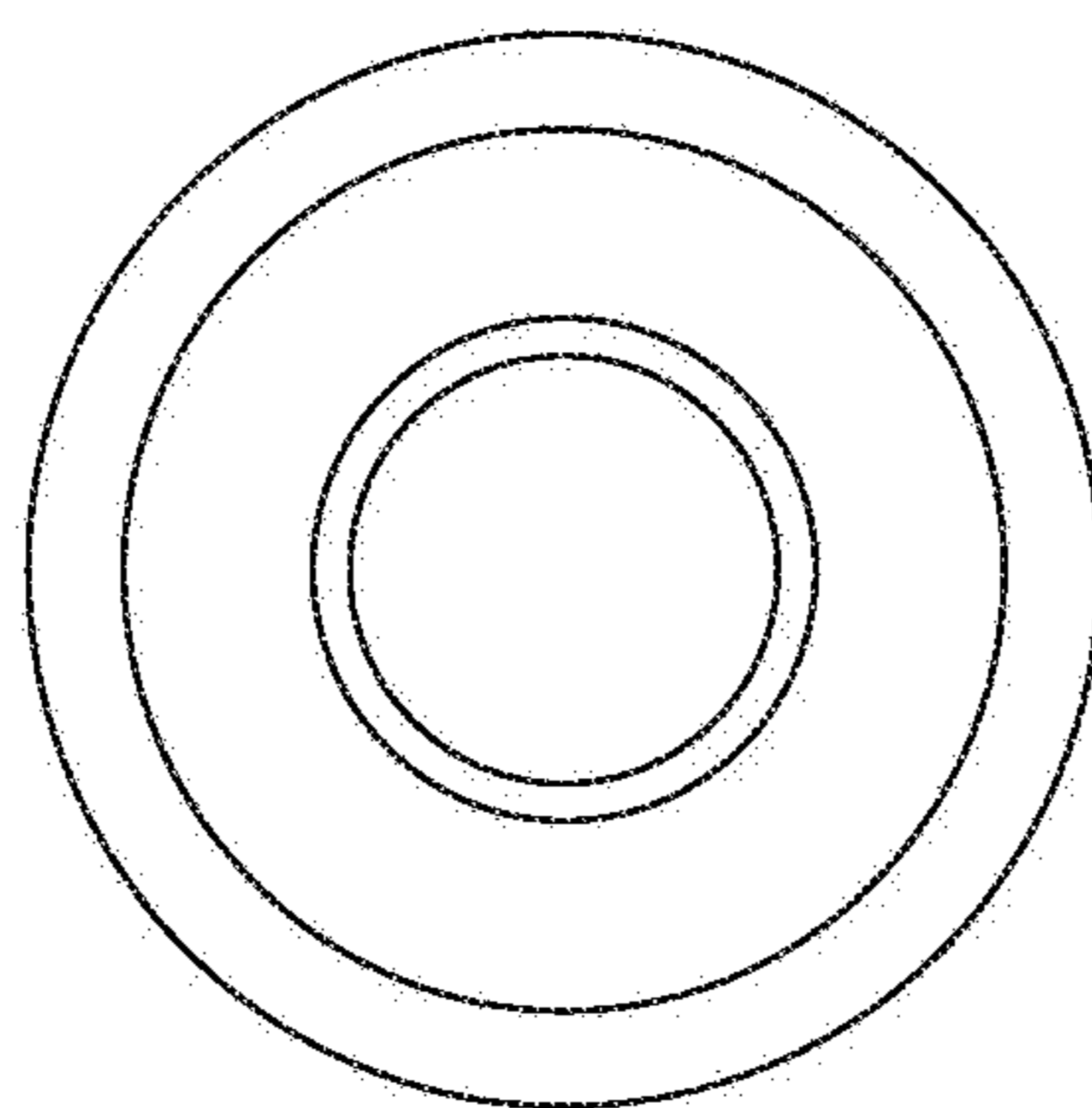


FIG. 2

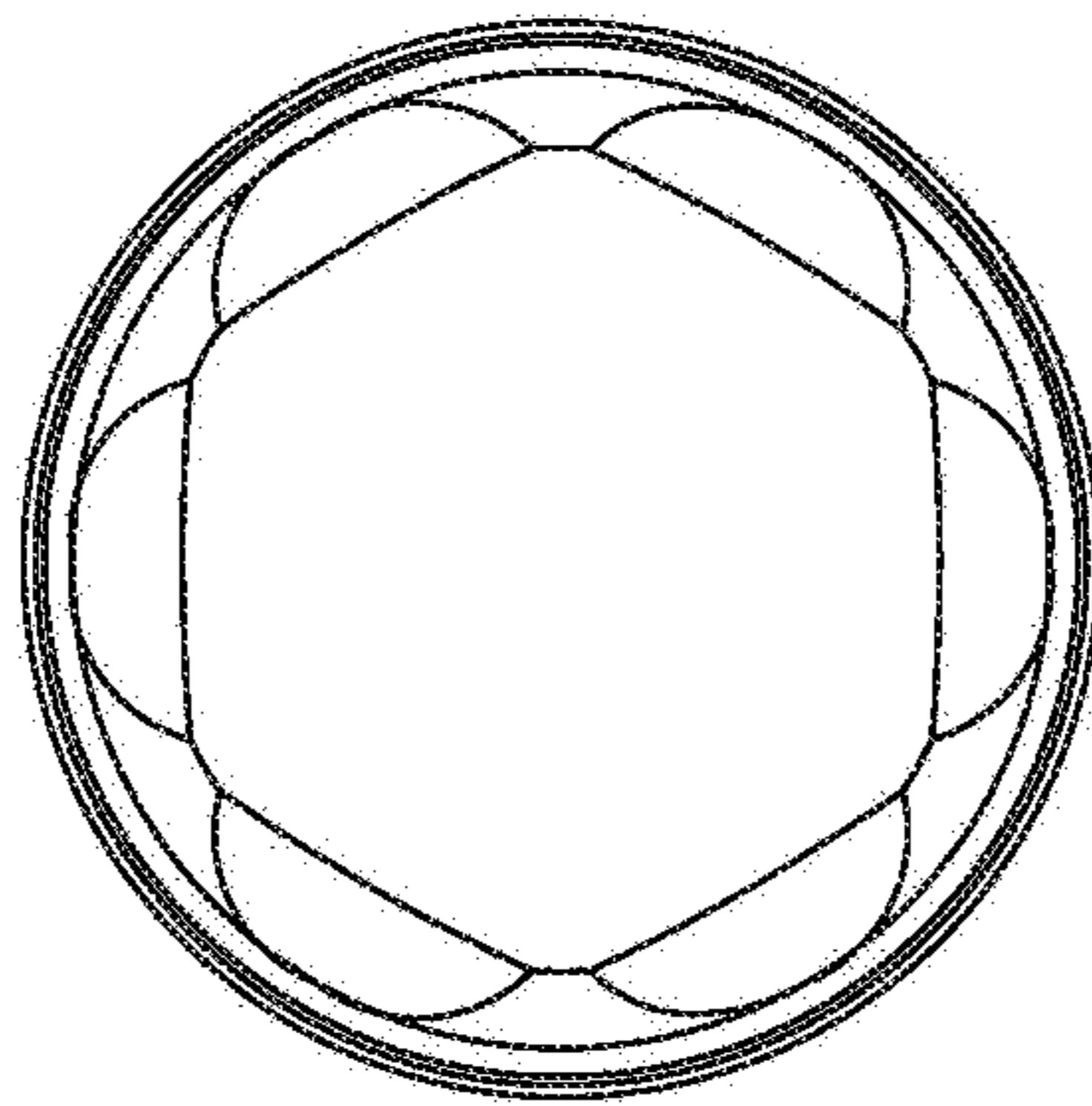


FIG. 3

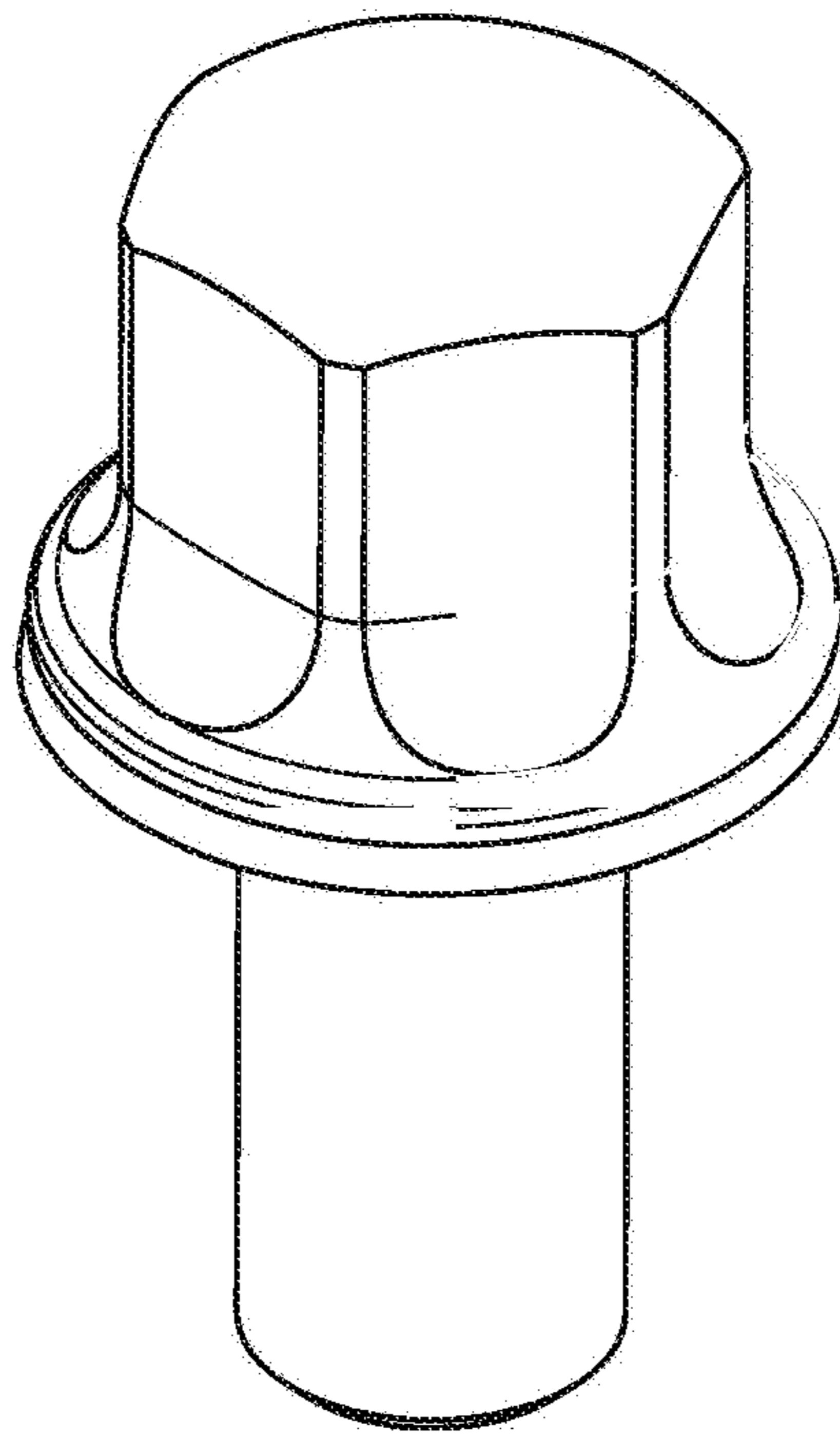


FIG. 4

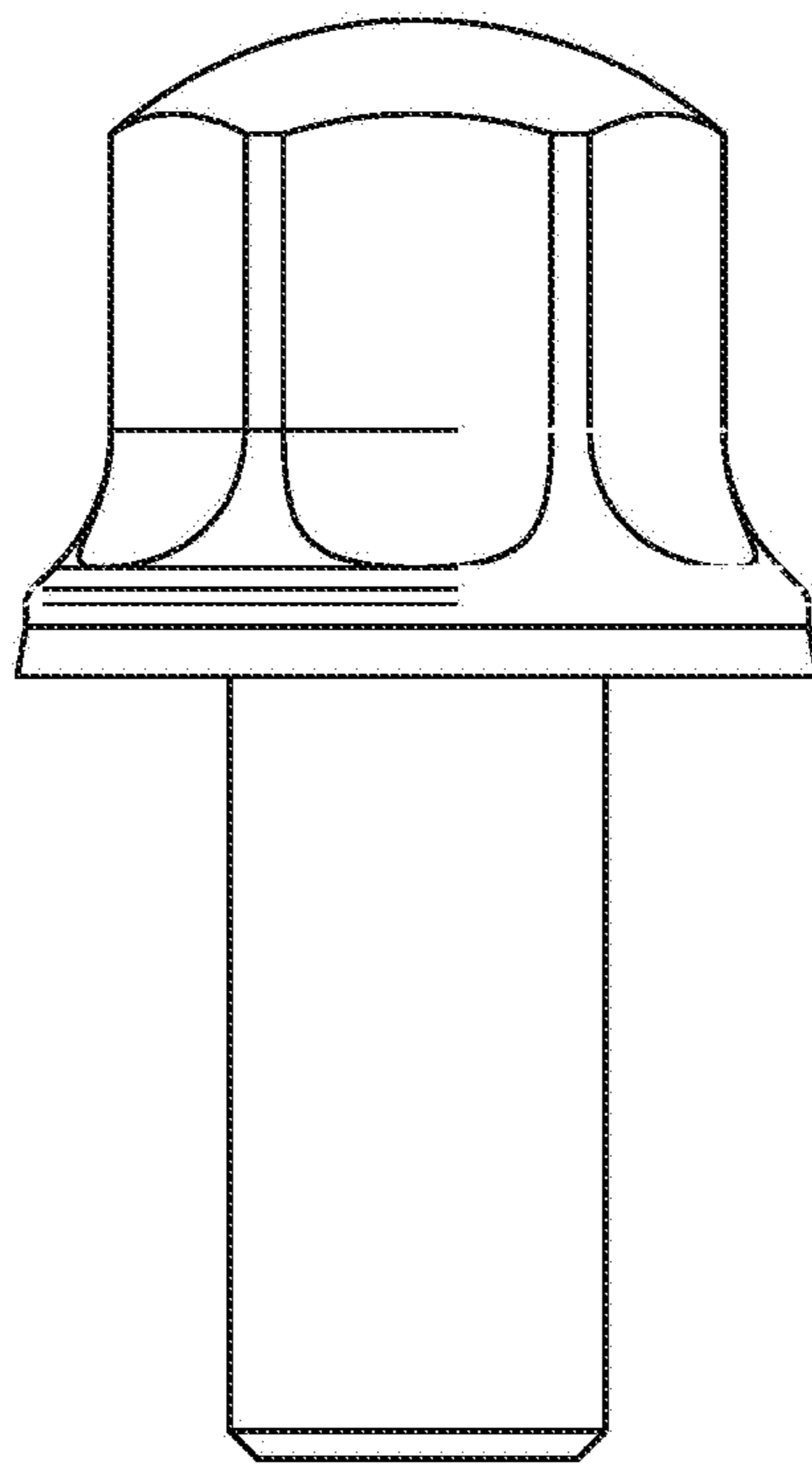


FIG. 5

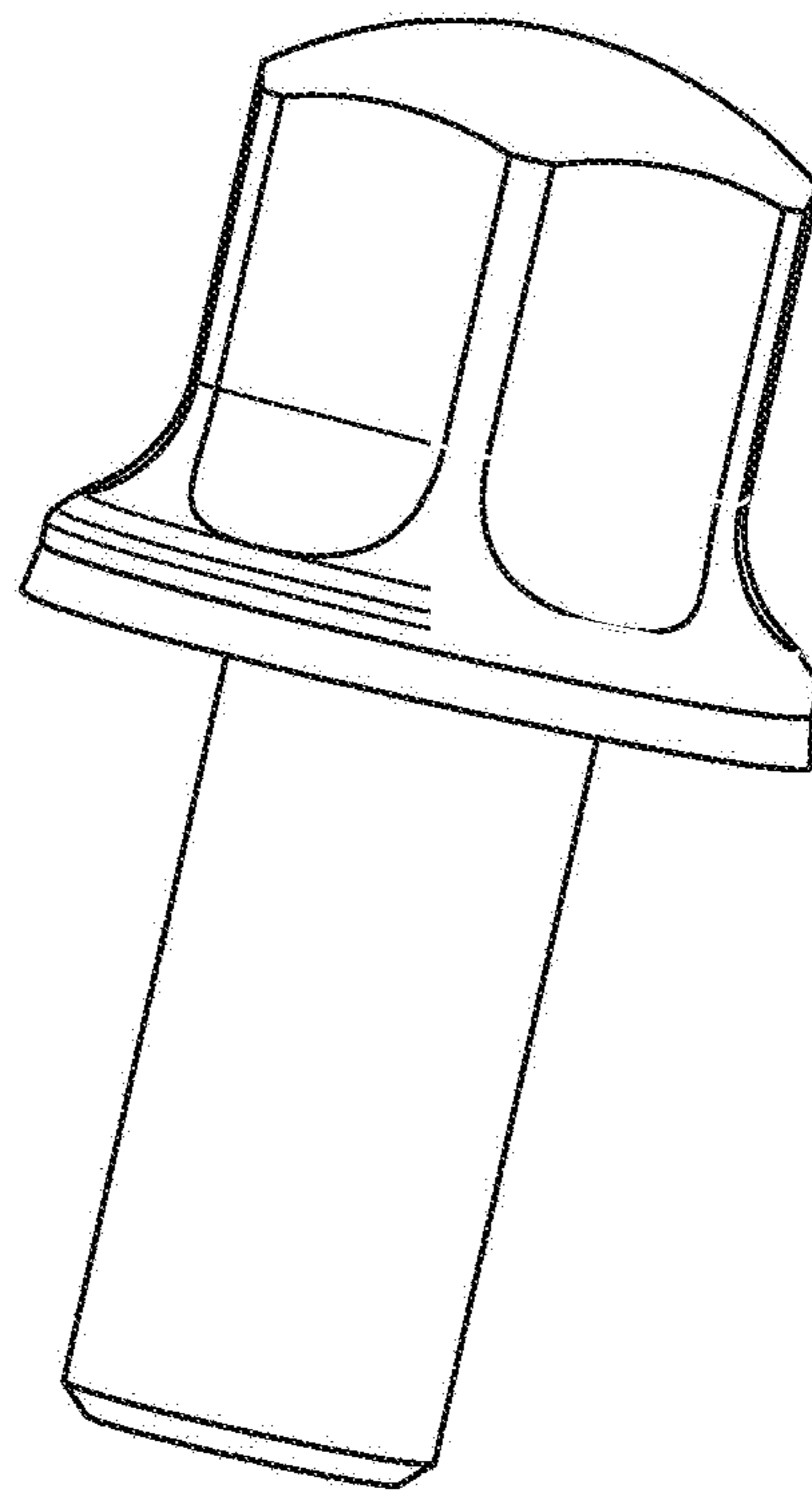


FIG. 6

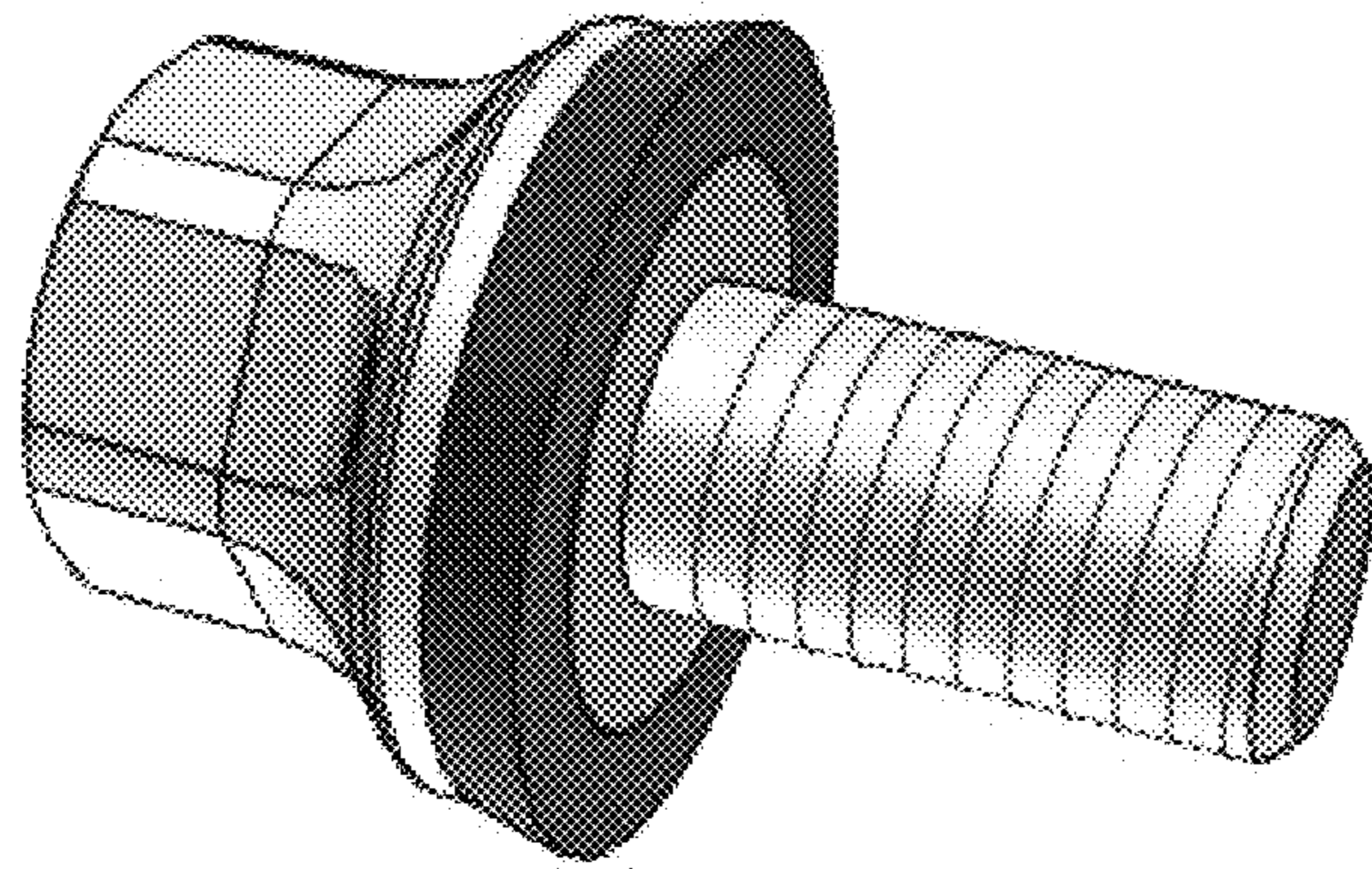


FIG. 7

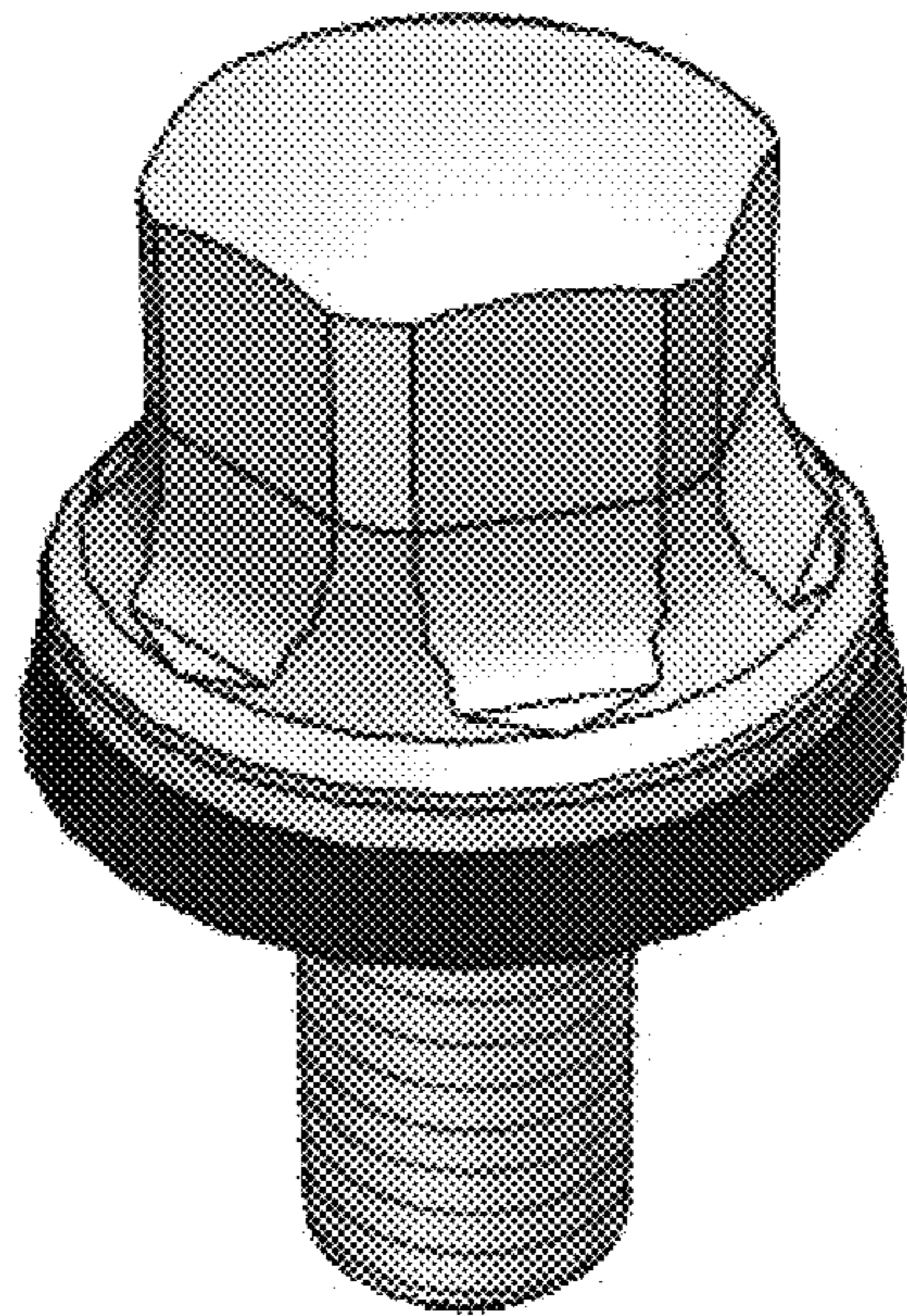


FIG. 8

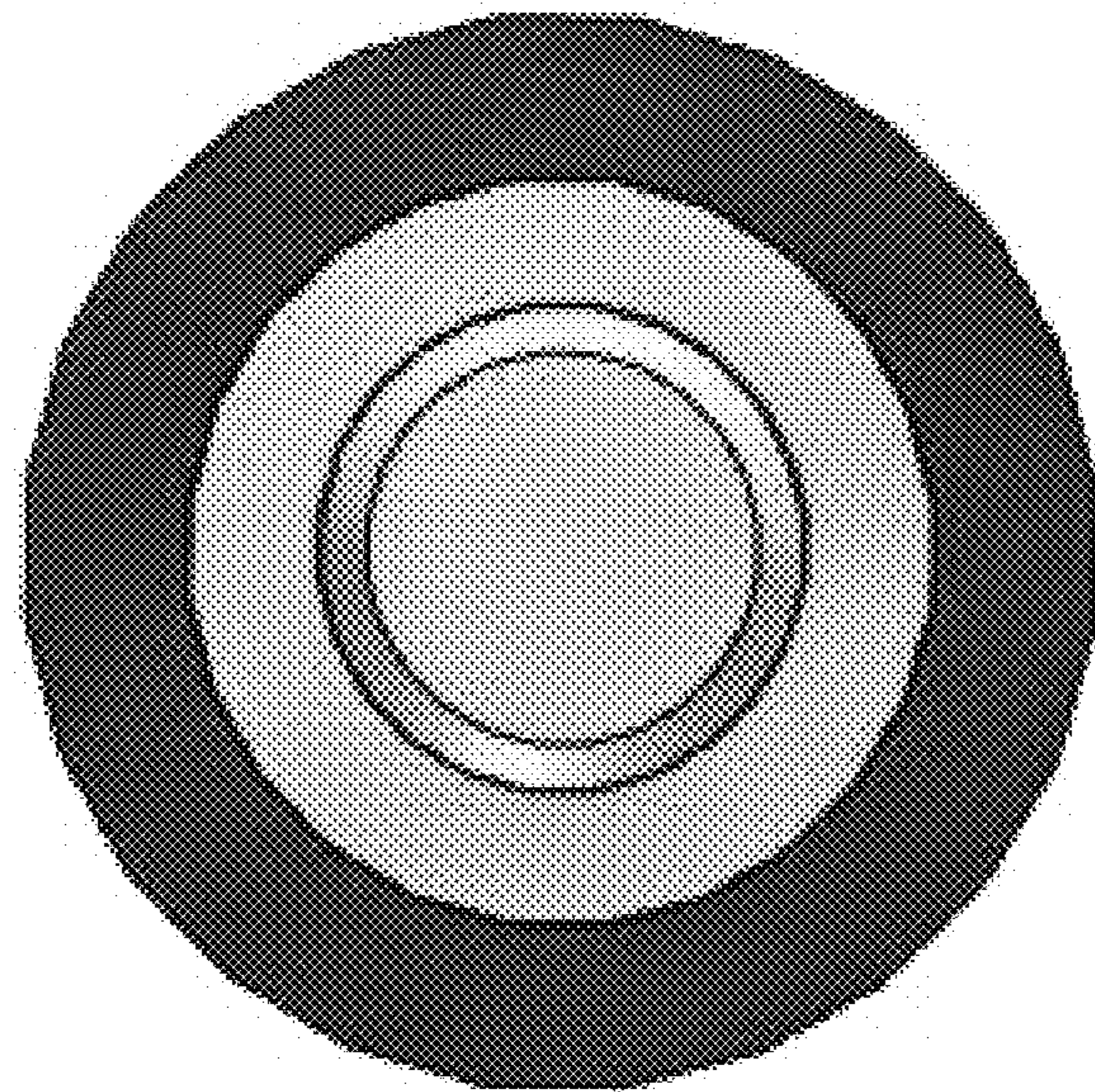


FIG. 9

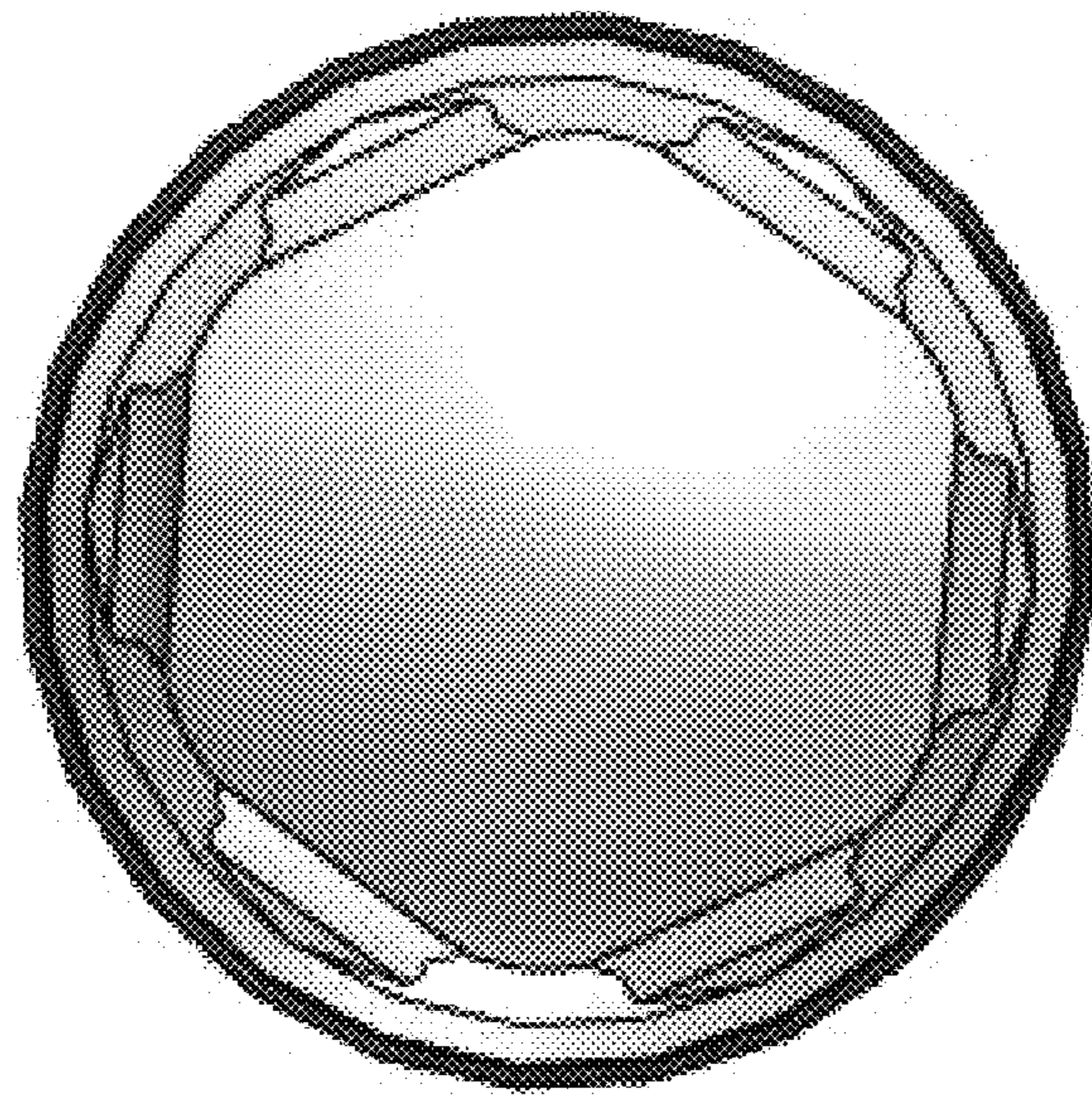


FIG. 10

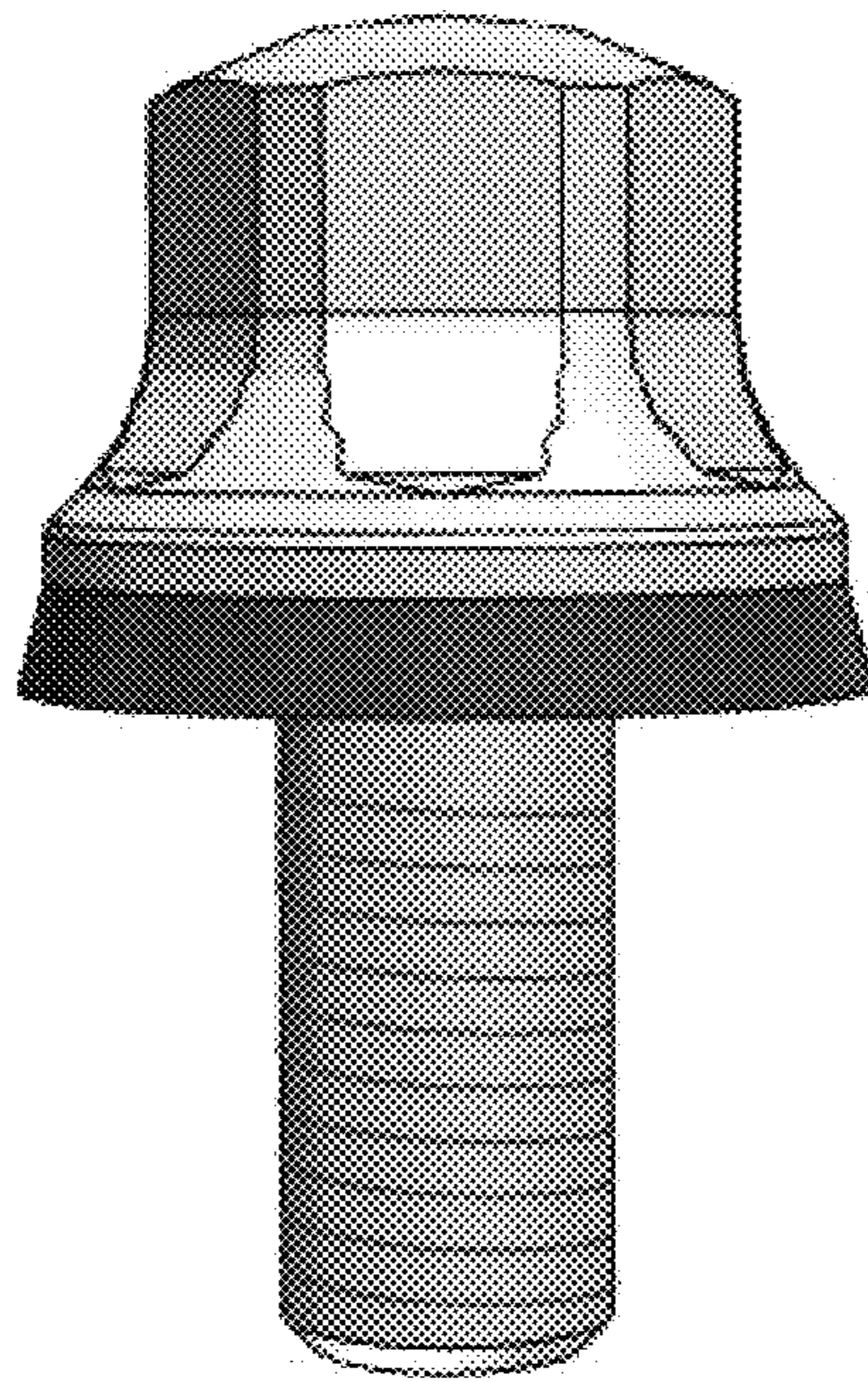


FIG. 11

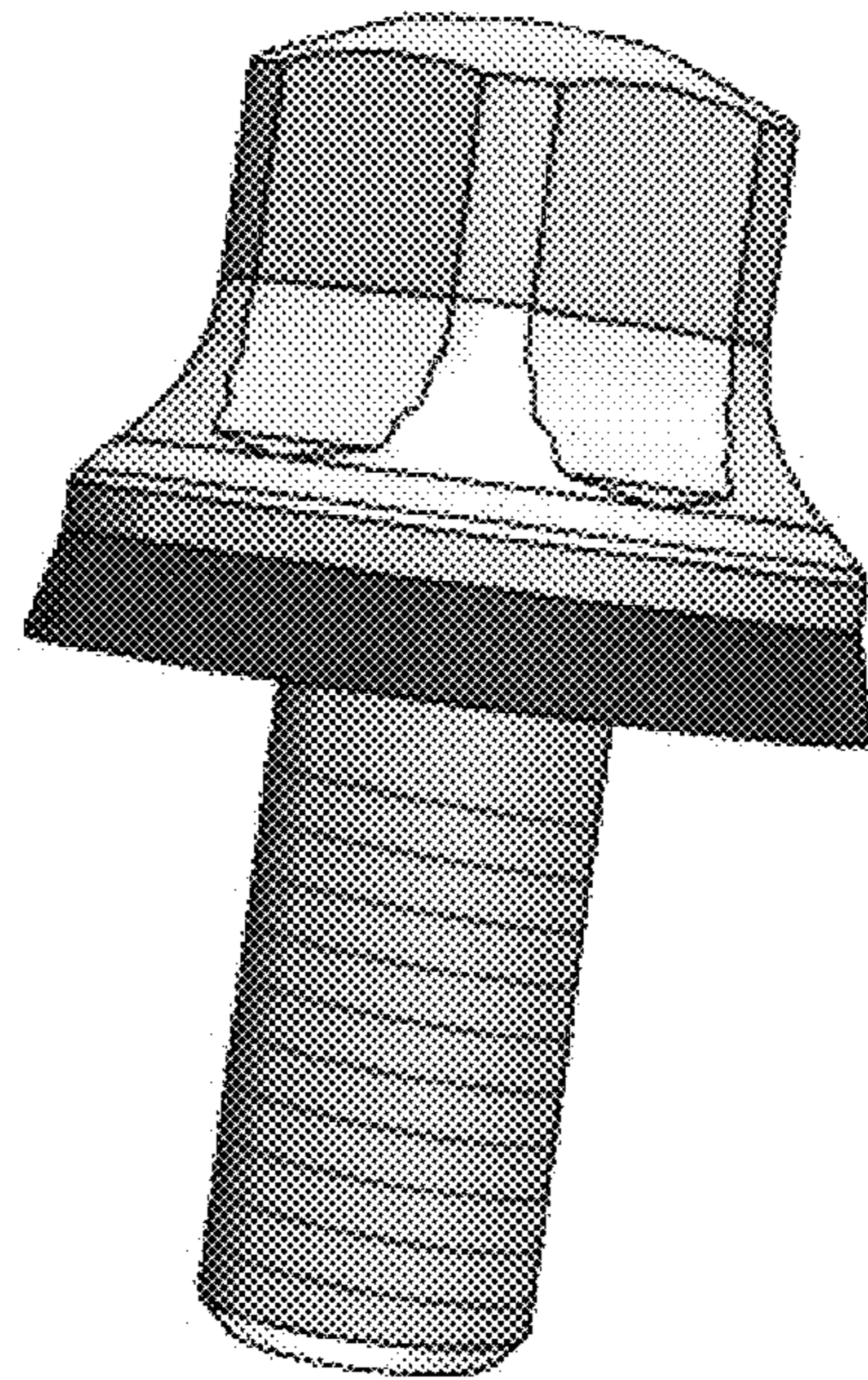


FIG. 12