



US00D918703S

(12) **United States Design Patent** (10) **Patent No.:** **US D918,703 S**  
**Liu** (45) **Date of Patent:** **\*\* May 11, 2021**

(54) **CABLE CLAMP**  
(71) Applicant: **Boyuan Liu**, Jiangsu (CN)  
(72) Inventor: **Boyuan Liu**, Jiangsu (CN)  
(73) Assignee: **BYM Industrial Products Co., Ltd**,  
Nanjing (CN)  
(\*\*) Term: **15 Years**  
(21) Appl. No.: **29/743,106**  
(22) Filed: **Jul. 18, 2020**  
(51) **LOC (13) Cl.** ..... **08-08**  
(52) **U.S. Cl.**  
USPC ..... **D8/396; D8/356**  
(58) **Field of Classification Search**  
USPC ..... D8/382-386, 394-396, 71-74, 499, 356  
CPC ..... F16B 19/00; F16B 19/1081; F16B 19/08;  
F16B 19/008; F16B 21/075; F16L 3/127;  
F16L 3/13  
See application file for complete search history.

D276,134 S 10/1984 Ericsson  
D279,646 S \* 7/1985 Ferdinand ..... D8/72  
D291,410 S 8/1987 Czyborra  
D311,487 S \* 10/1990 Platt ..... D8/356  
D382,794 S 8/1997 Karlson  
D387,978 S \* 12/1997 McNally, Jr. .... D8/356  
6,227,502 B1 \* 5/2001 Derman ..... F16L 3/2235  
248/68.1  
D473,130 S 4/2003 Leung  
D485,161 S \* 1/2004 Hutchinson ..... D8/383  
D495,725 S 9/2004 Kwon  
D549,089 S 8/2007 Jun et al.  
D595,569 S \* 7/2009 Darling, III ..... D8/396  
D598,858 S 8/2009 Stromiedel et al.  
7,789,352 B2 \* 9/2010 Darling, III ..... B63C 13/00  
248/74.4  
8,342,474 B2 \* 1/2013 Gilbreath ..... F16L 3/222  
248/558  
D720,206 S \* 12/2014 Brennan ..... D8/380  
D737,134 S 8/2015 Thompson  
D761,644 S \* 7/2016 Papafagos ..... D8/396  
D790,127 S \* 6/2017 Verleur ..... D27/183  
D795,052 S \* 8/2017 Papafagos ..... D8/396  
10,309,553 B1 \* 6/2019 Schwalbe ..... F16L 3/222

(Continued)

Primary Examiner — John Windmuller

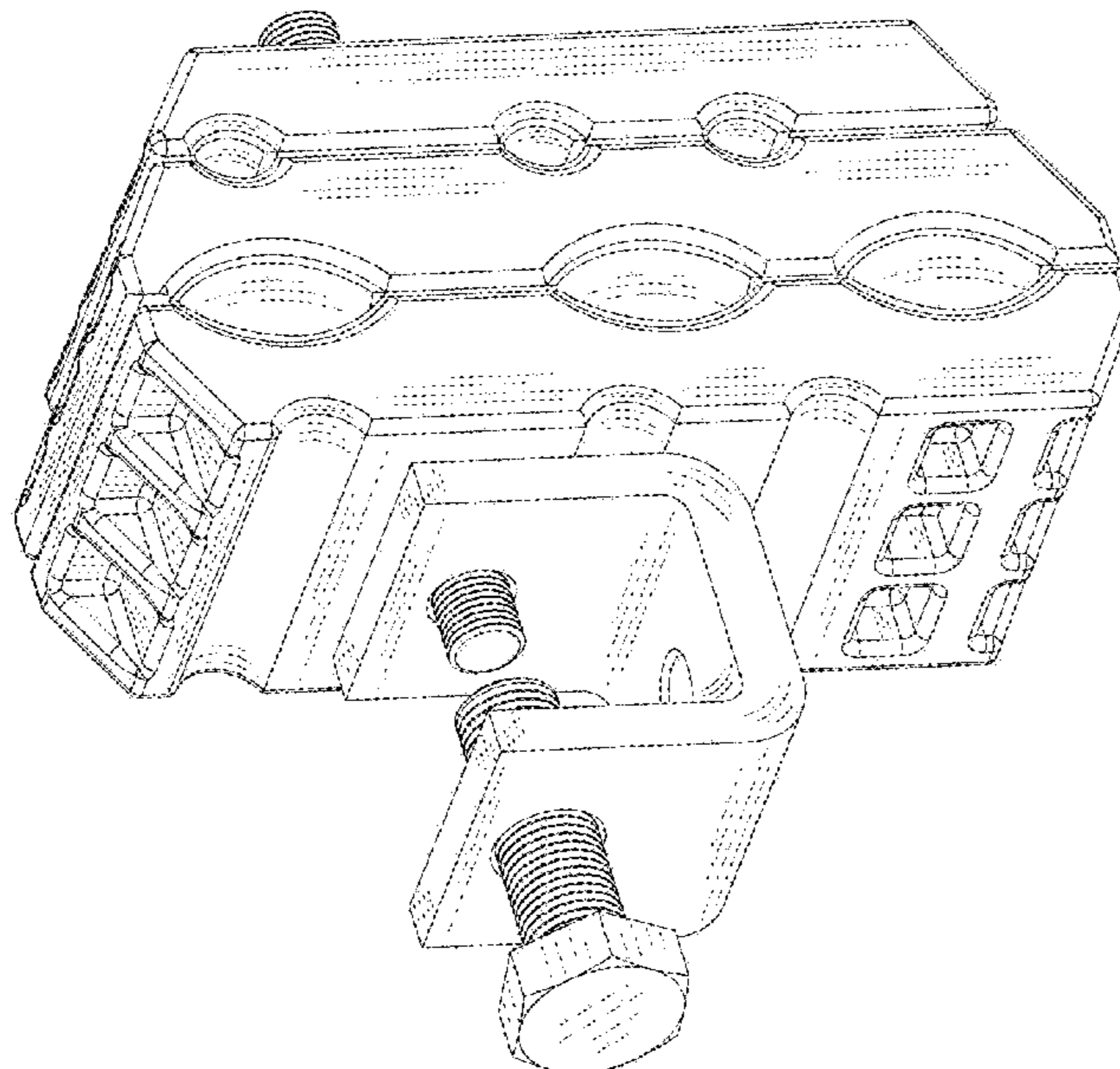
(56) **References Cited**  
U.S. PATENT DOCUMENTS  
917,306 A \* 4/1909 Johnston ..... B25B 1/22  
269/79  
952,787 A \* 3/1910 Crawford ..... A23G 7/0031  
269/126  
2,288,158 A \* 6/1942 Ellinwood ..... F16L 3/2235  
174/135  
3,160,378 A \* 12/1964 Goewey ..... H02G 7/08  
248/61  
3,744,838 A \* 7/1973 Jackson ..... B23K 37/0435  
294/116  
D230,826 S \* 3/1974 Menshen ..... D8/396  
4,024,604 A \* 5/1977 Klimek ..... F16L 3/223  
24/16 R  
D260,730 S 9/1981 Fujita  
D269,064 S 5/1983 Ericsson

(57) **CLAIM**  
The ornamental design for a cable clamp, as shown and described.

**DESCRIPTION**

FIG. 1 is a perspective view of a cable clamp showing my new design;  
FIG. 2 is a front elevation view thereof;  
FIG. 3 is a rear elevation view thereof;  
FIG. 4 is a left side elevation view thereof;  
FIG. 5 is a right side elevation view thereof;  
FIG. 6 is a top plan view thereof; and,  
FIG. 7 is a bottom plan view thereof.

**1 Claim, 7 Drawing Sheets**



(56)

**References Cited**

U.S. PATENT DOCUMENTS

10,865,912 B2 \* 12/2020 Bechtold ..... H02G 3/32  
2009/0218451 A1 \* 9/2009 Lundborg ..... F16L 5/02  
248/56  
2018/0320800 A1 \* 11/2018 Pieske ..... F16L 3/2235  
2019/0260144 A1 \* 8/2019 Pfeiffer-Wagner ..... F16L 3/223

\* cited by examiner

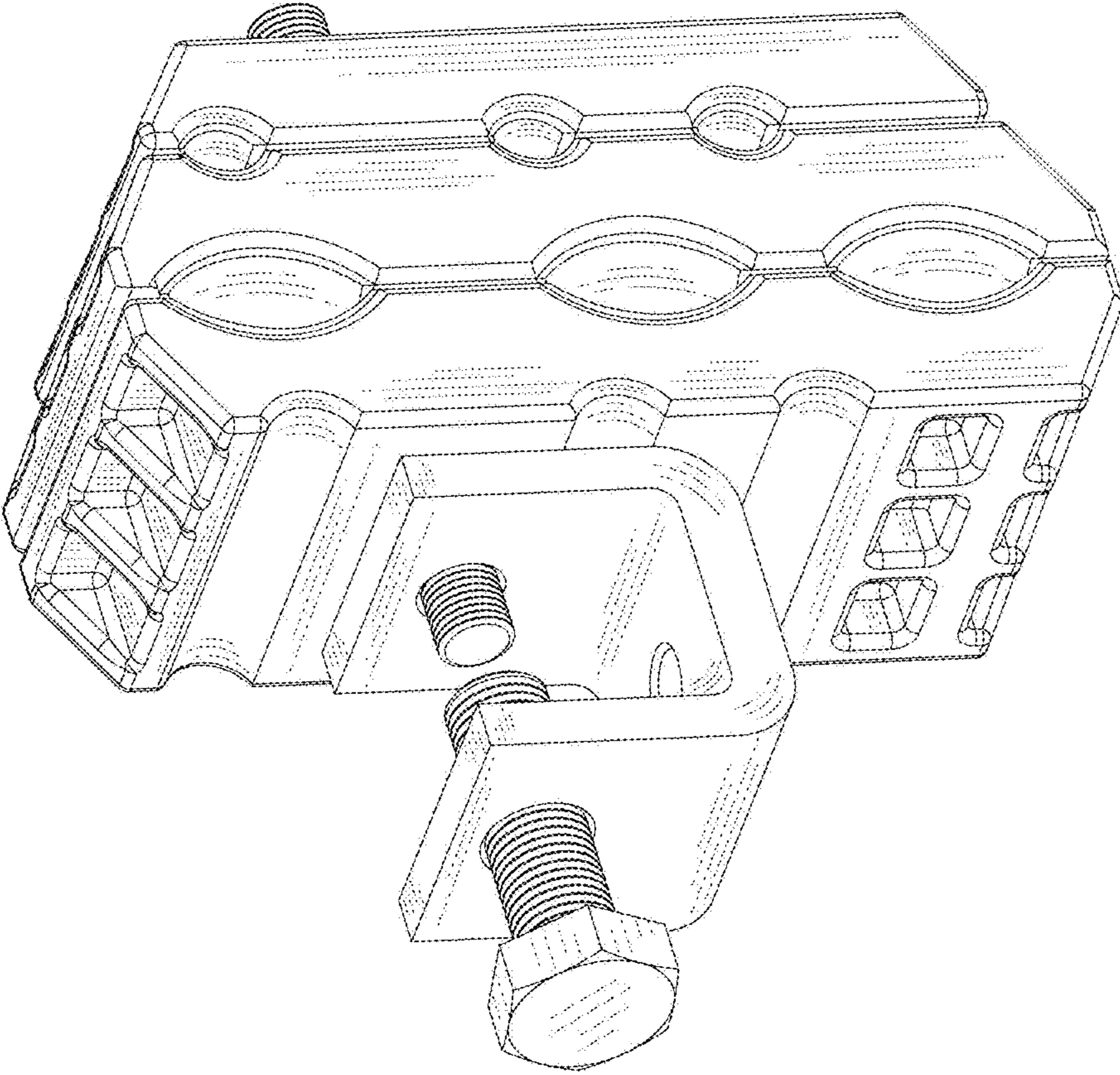


FIG. 1

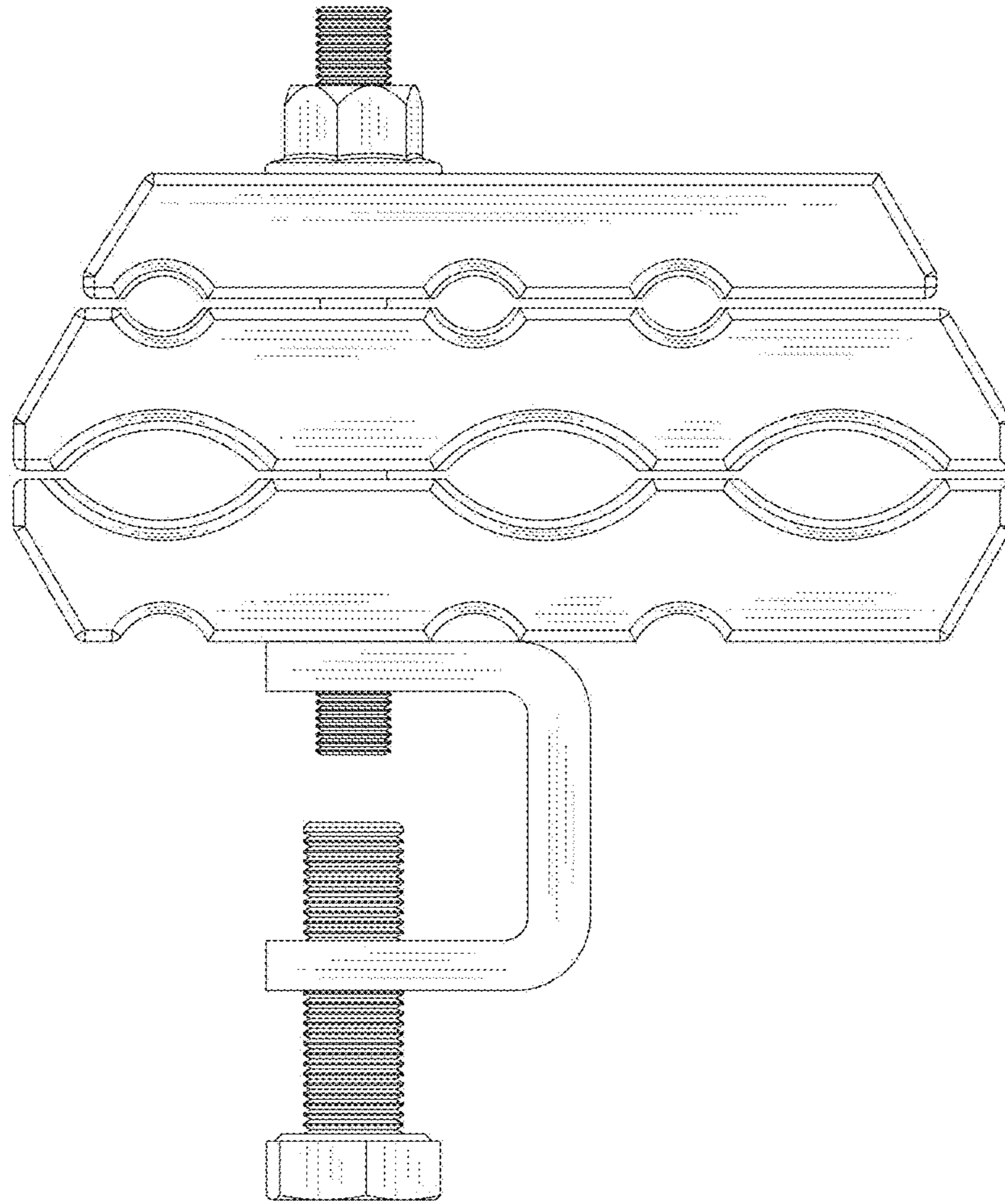


FIG. 2



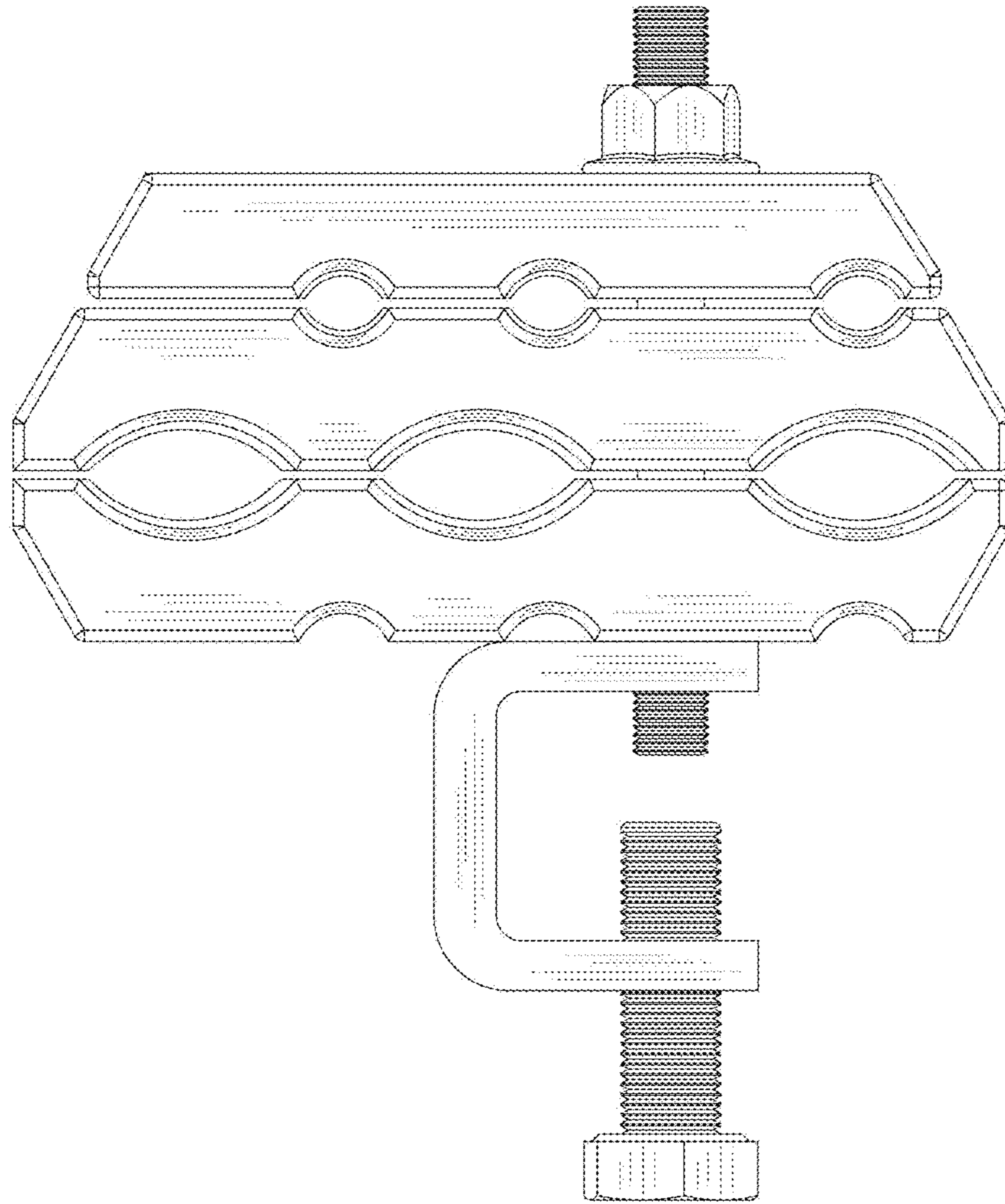


FIG. 3

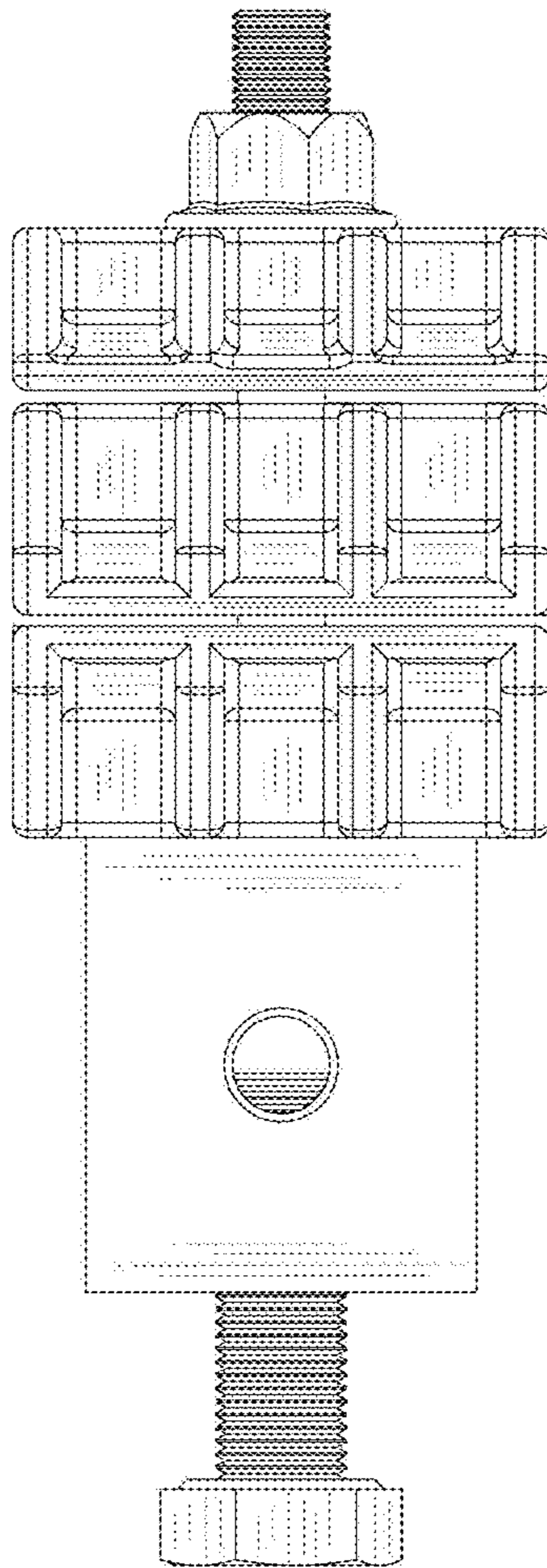


FIG. 4

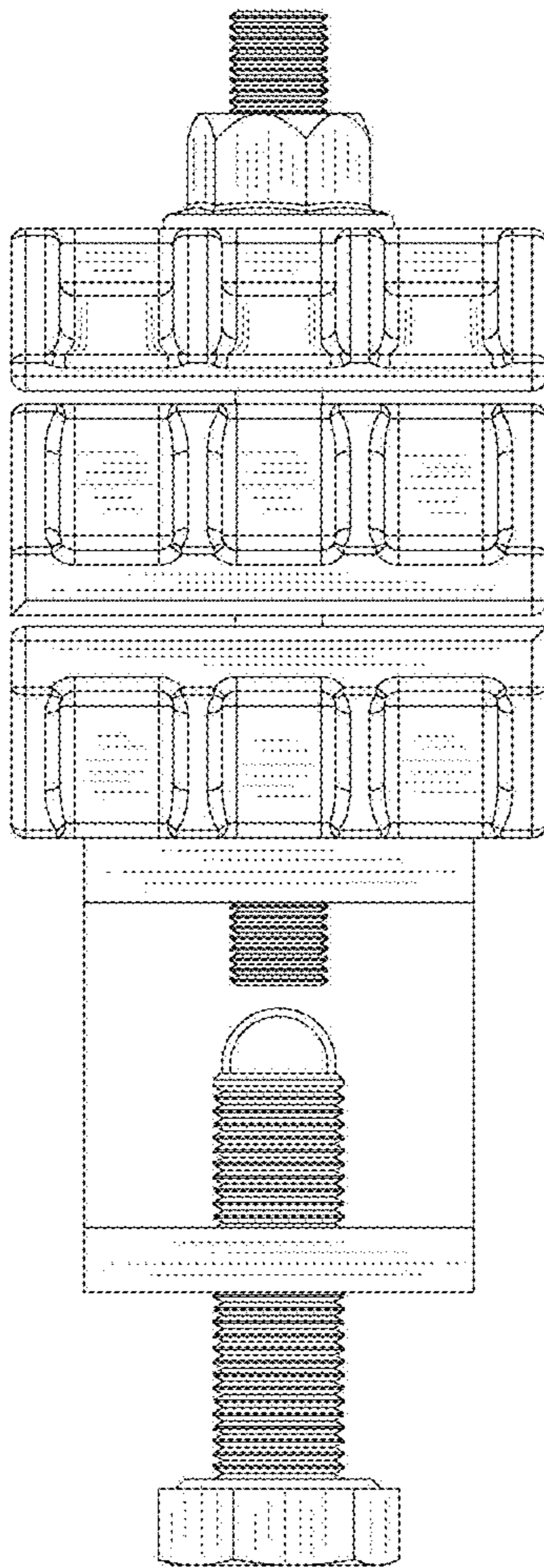


FIG. 5

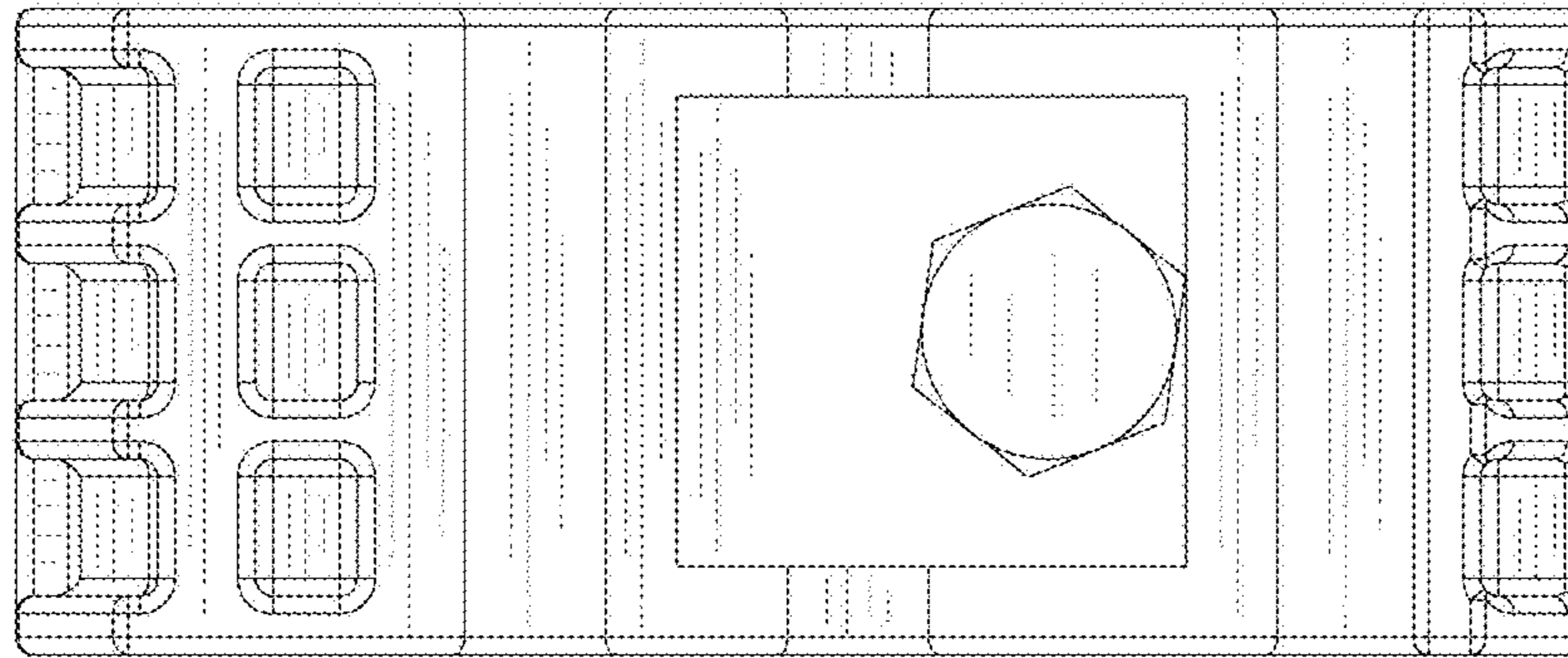


FIG. 6



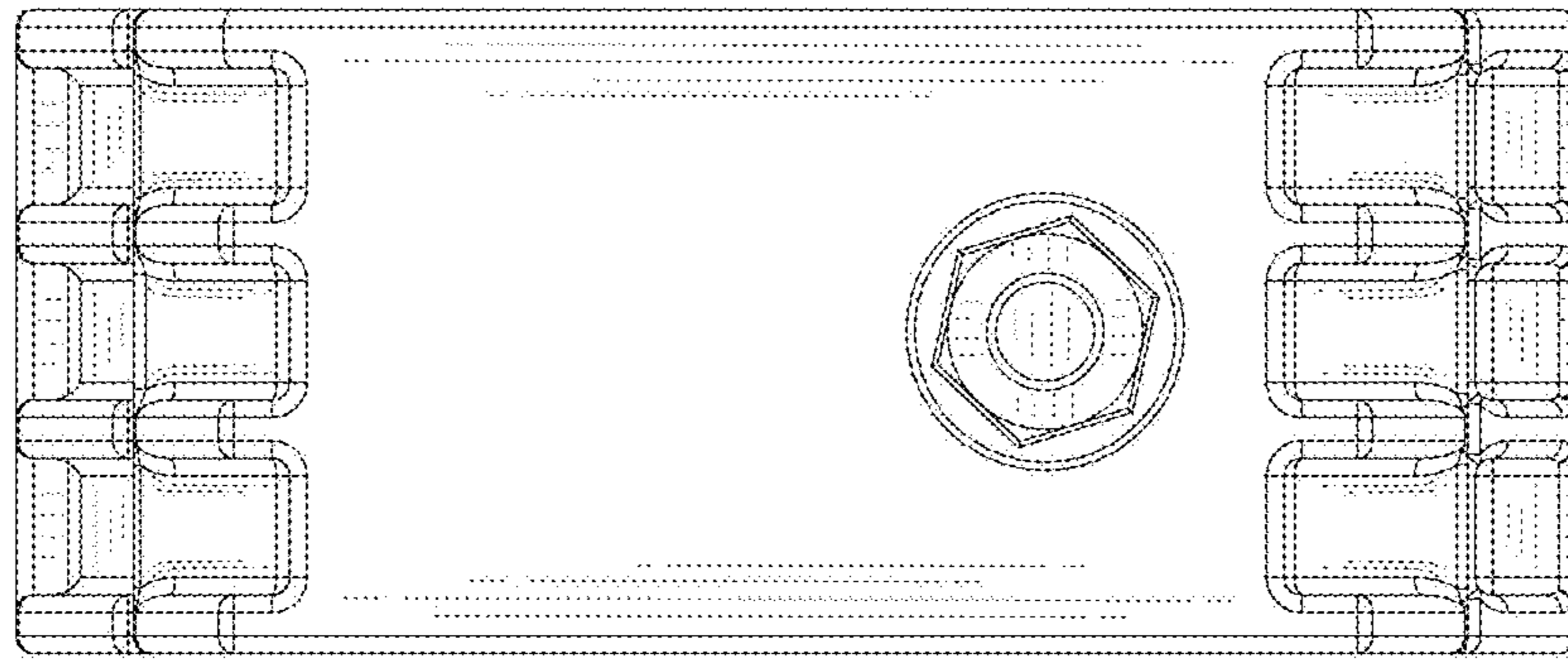


FIG. 7