



US00D918702S

(12) **United States Design Patent**
Warme

(10) **Patent No.:** **US D918,702 S**

(45) **Date of Patent:** **** May 11, 2021**

(54) **NAIL**

(71) Applicant: **BM Svets AB**, Gothenburg (SE)

(72) Inventor: **Jan Warme**, Lerum (SE)

(73) Assignee: **BM SVETS AB**, Gothenburg (SE)

(**) Term: **15 Years**

(21) Appl. No.: **29/691,100**

(22) Filed: **May 14, 2019**

(30) **Foreign Application Priority Data**

Nov. 15, 2018 (EM) 005825510-0001

(51) **LOC (13) Cl.** **08-08**

(52) **U.S. Cl.**
USPC **D8/391**

(58) **Field of Classification Search**
USPC D8/384, 350, 352, 388–393; D7/213,
D7/387, 683; D11/222, 207; D21/839,
D21/340
CPC A47B 2230/0081; F16B 12/125; F16B
12/22; F16B 12/24
See application file for complete search history.

(56) **References Cited**

U.S. PATENT DOCUMENTS

5,325,964 A	7/1994	Lyons	
D373,060 S *	8/1996	Wilcox	D8/77
D418,049 S *	12/1999	Brown, III	D8/391
D492,584 S *	7/2004	Kuhn	D8/389
D492,585 S *	7/2004	Kuhn	D8/389
D492,896 S *	7/2004	Kuhn	D8/389
D493,098 S *	7/2004	Kuhn	D8/389
D493,099 S *	7/2004	Nebesnak	D8/389
D493,100 S *	7/2004	Nebesnak	D8/389
D493,705 S *	8/2004	Kuhn	D8/389
D493,706 S *	8/2004	Nebesnak	D8/389

D494,459 S *	8/2004	Kuhn	D8/389
D494,460 S *	8/2004	Nebesnak	D8/389
D495,245 S *	8/2004	Kuhn	D8/389
D497,102 S *	10/2004	Kuhn	D8/389
8,753,042 B1 *	6/2014	Thompson	F16B 15/0053 405/259.1
D719,798 S *	12/2014	Thompson	D8/1
D817,165 S *	5/2018	Ng	D8/391
D880,998 S *	4/2020	Kilgore	D8/391

FOREIGN PATENT DOCUMENTS

EP 0639424 A1 2/1995

OTHER PUBLICATIONS

1-inch EG Metal Round Cap Roofing Nails, Date Visited: 44280, Best Materials, Date Available: 44280, https://www.bestmaterials.com/detail.aspx?ID=8886&gclid=EAlaIqobChMlrIXftvXM7wlViaCGCh2WrQ58EAQYBSABEGK8AvD_BwE (Year: 2021).*

(Continued)

Primary Examiner — Janice Hallmark
Assistant Examiner — Elizabeth S Ko
(74) *Attorney, Agent, or Firm* — Tucker Ellis LLP

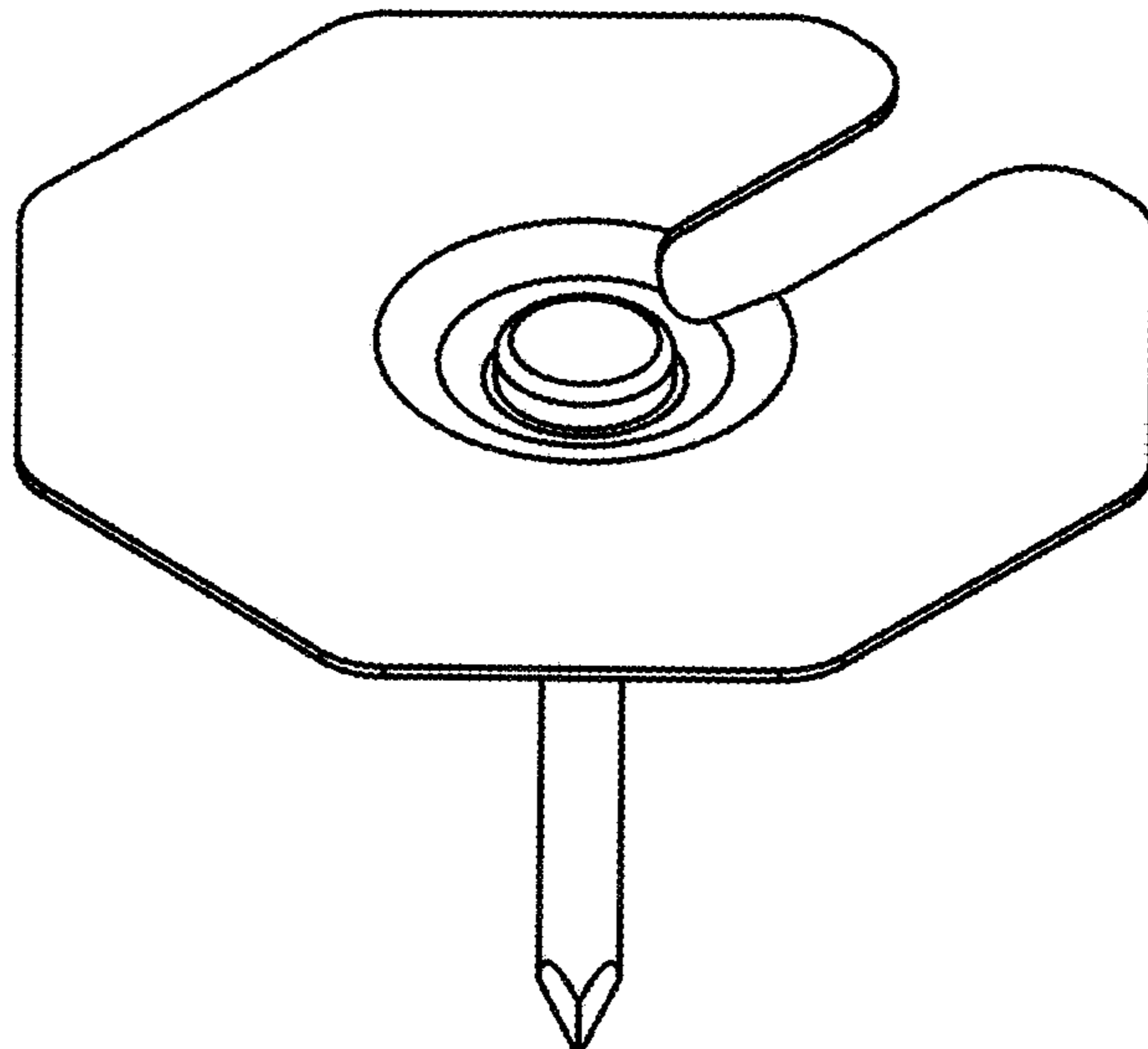
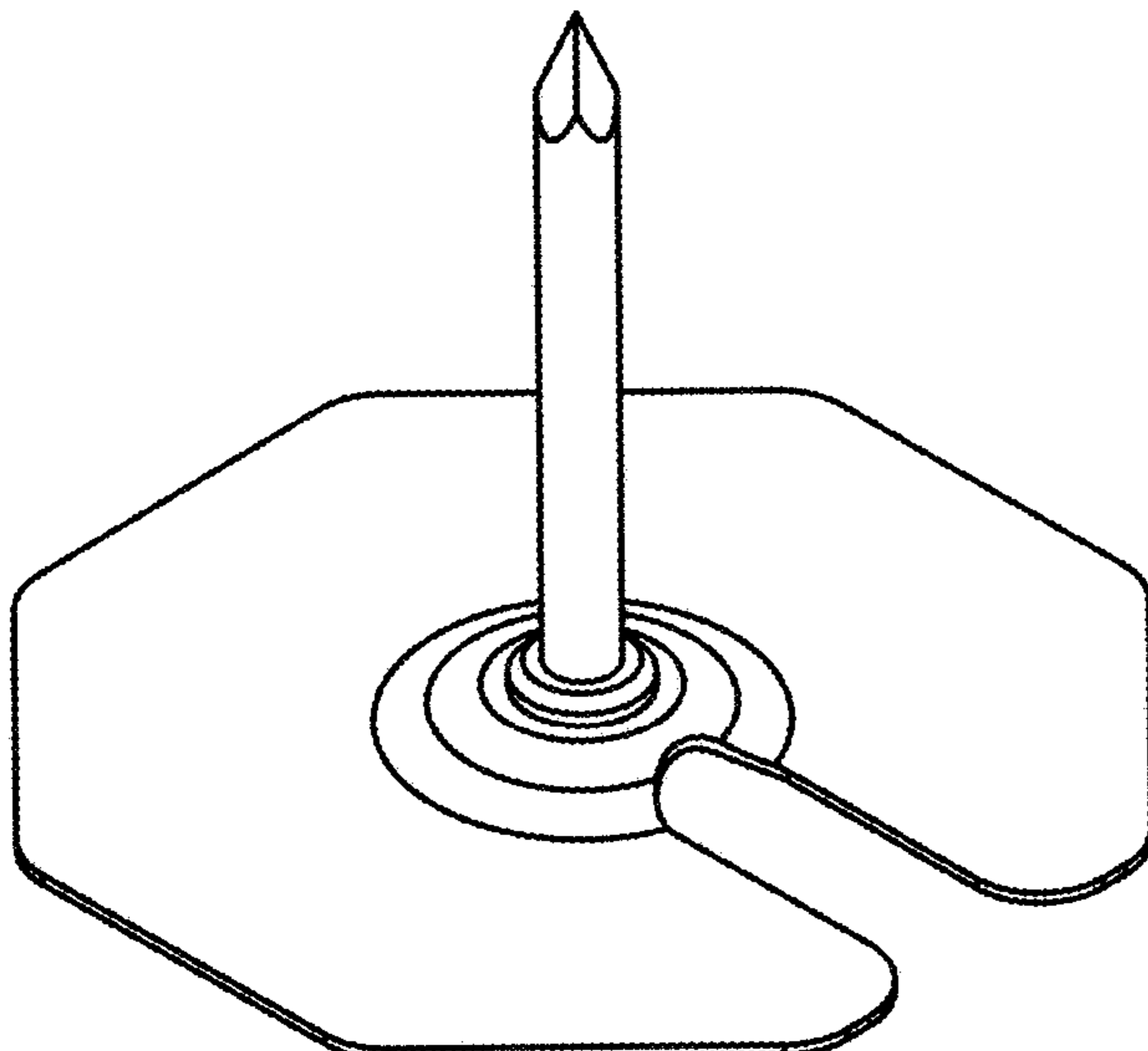
(57) **CLAIM**

The ornamental design for a nail, as shown and described.

DESCRIPTION

FIG. 1 is a front-right-top perspective view of a nail showing the new design;
FIG. 2 is a rear-left-top perspective view thereof;
FIG. 3 is a rear-left-bottom perspective view thereof;
FIG. 4 is a front view thereof;
FIG. 5 is a rear view thereof;
FIG. 6 is a top view thereof; and,
FIG. 7 is a bottom view thereof.

1 Claim, 6 Drawing Sheets



(56)

References Cited

OTHER PUBLICATIONS

Grip-Rite Plastic Round Cap Roofing Nail, Date Visited: 44280, Home Depot, Date Available: 44280, <https://www.homedepot.com/p/Grip-Rite-12-x-1-in-Plastic-Round-Cap-Roofing-Nail-3-000-Pack-GCB1/100111688> (Year: 2021).*

Primesource 114MSCAP25 3Gs Grip-Cap Nail, Date Visited: 44280, Amazon.com, Date Available: 39752, <https://www.amazon.com/PrimeSource-114MSCAP25-Grip-Cap-Metal-Nail/dp/B003DBS8C0> (Year: 2008).*

Lead'Air International S.A., "FlipStix The self adhesive insulation hanger with the unique 'one piece' design!", Apr. 1999, 1 page.

* cited by examiner

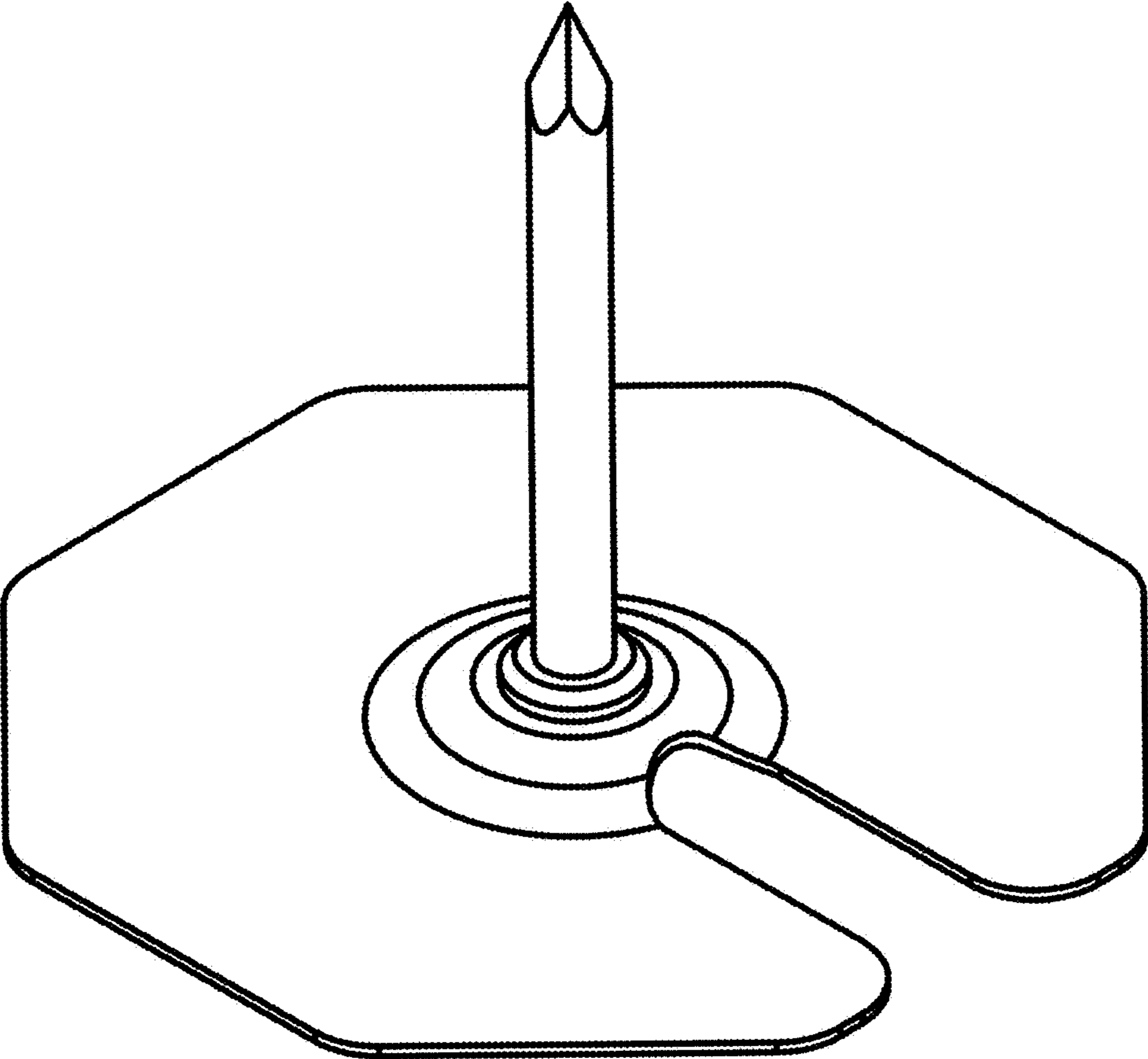


FIG. 1

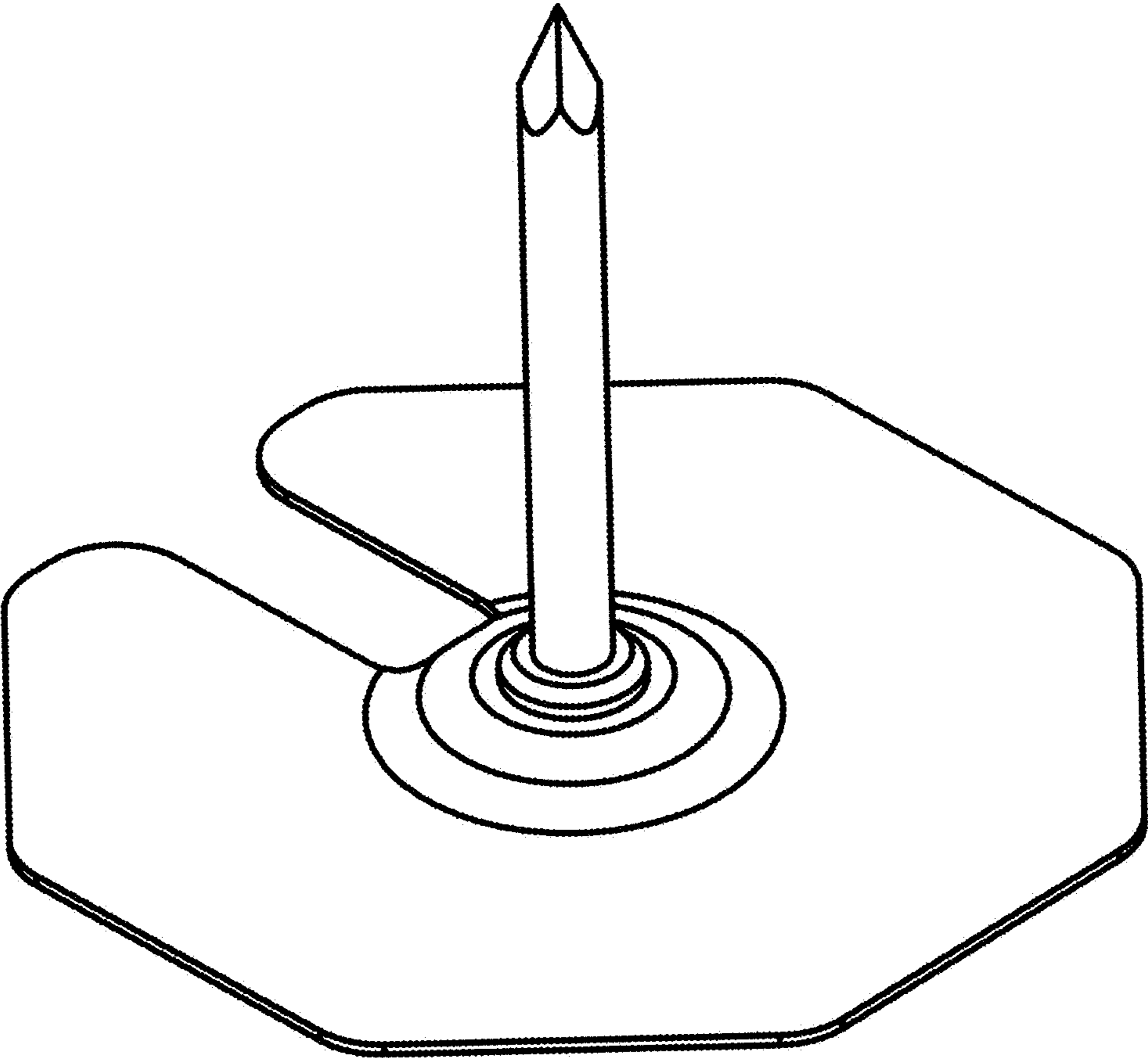


FIG. 2

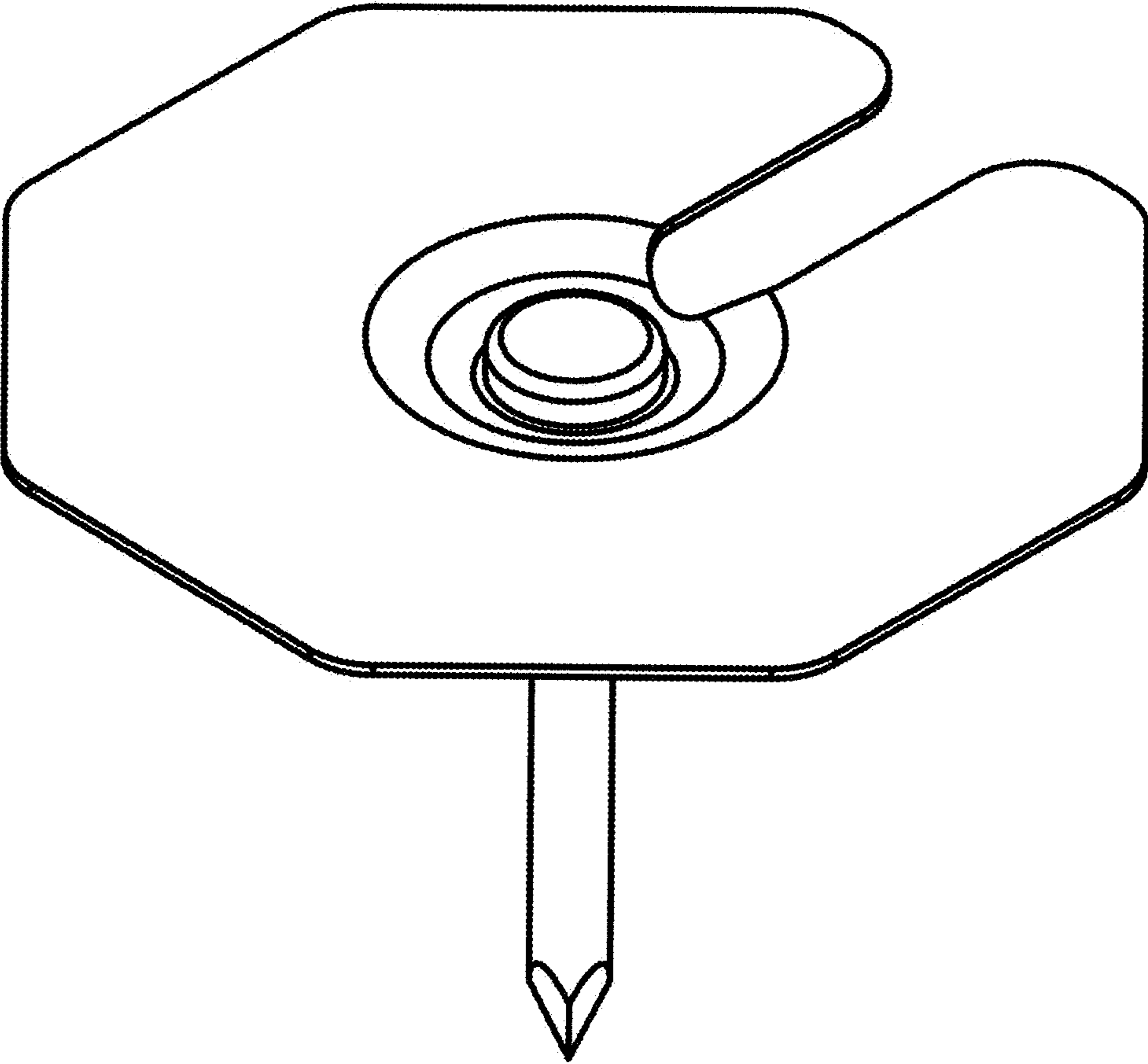


FIG. 3

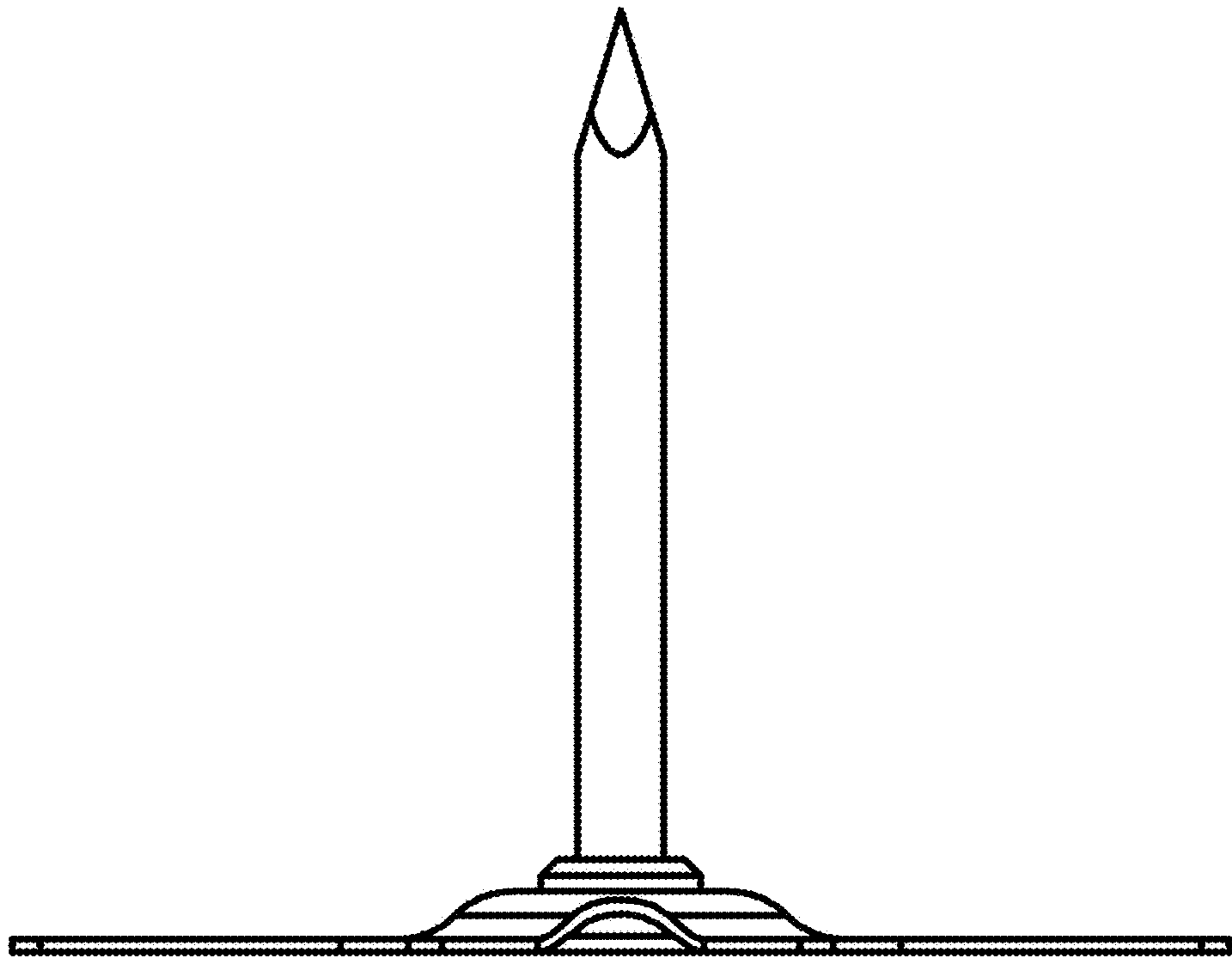


FIG. 4

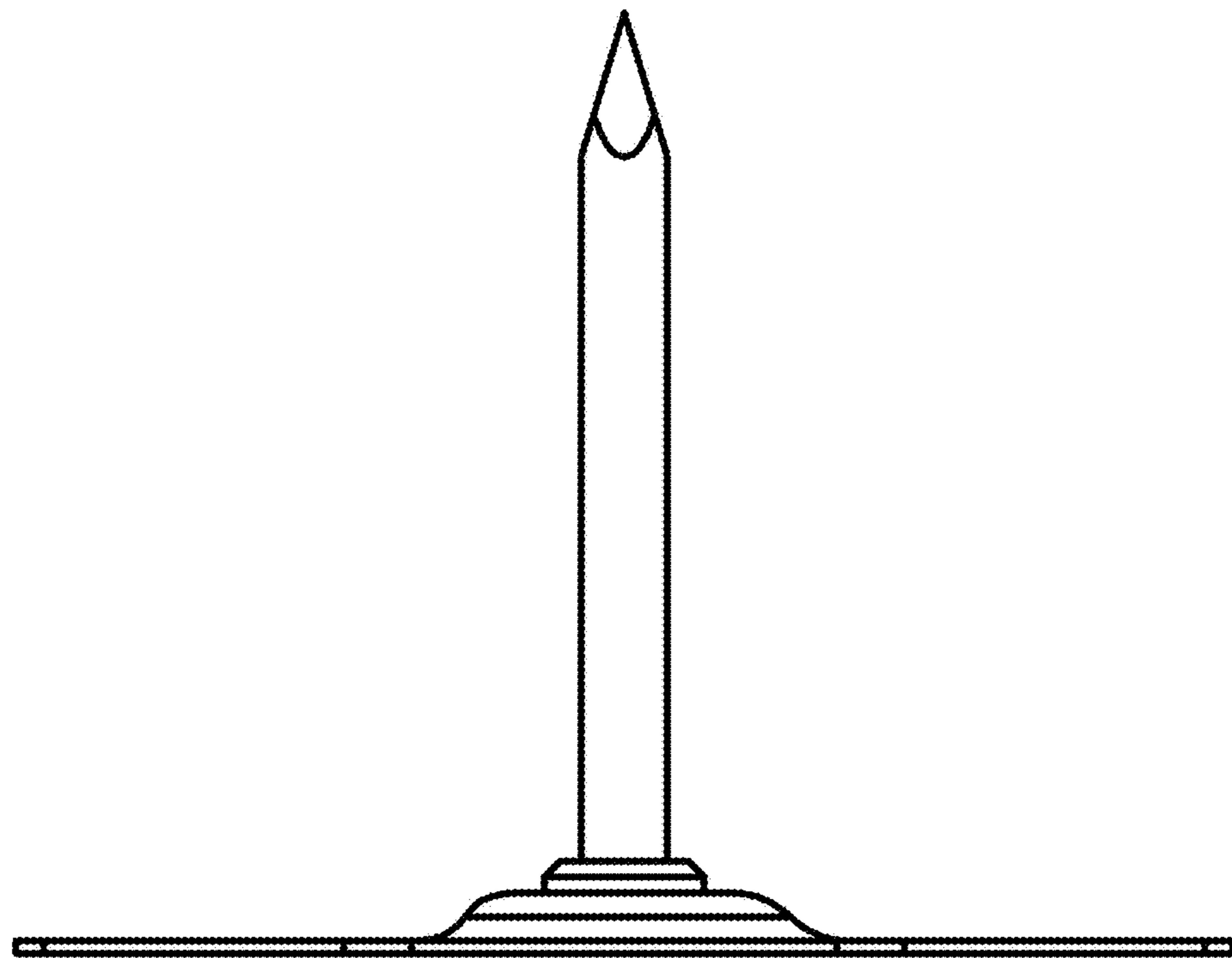


FIG. 5

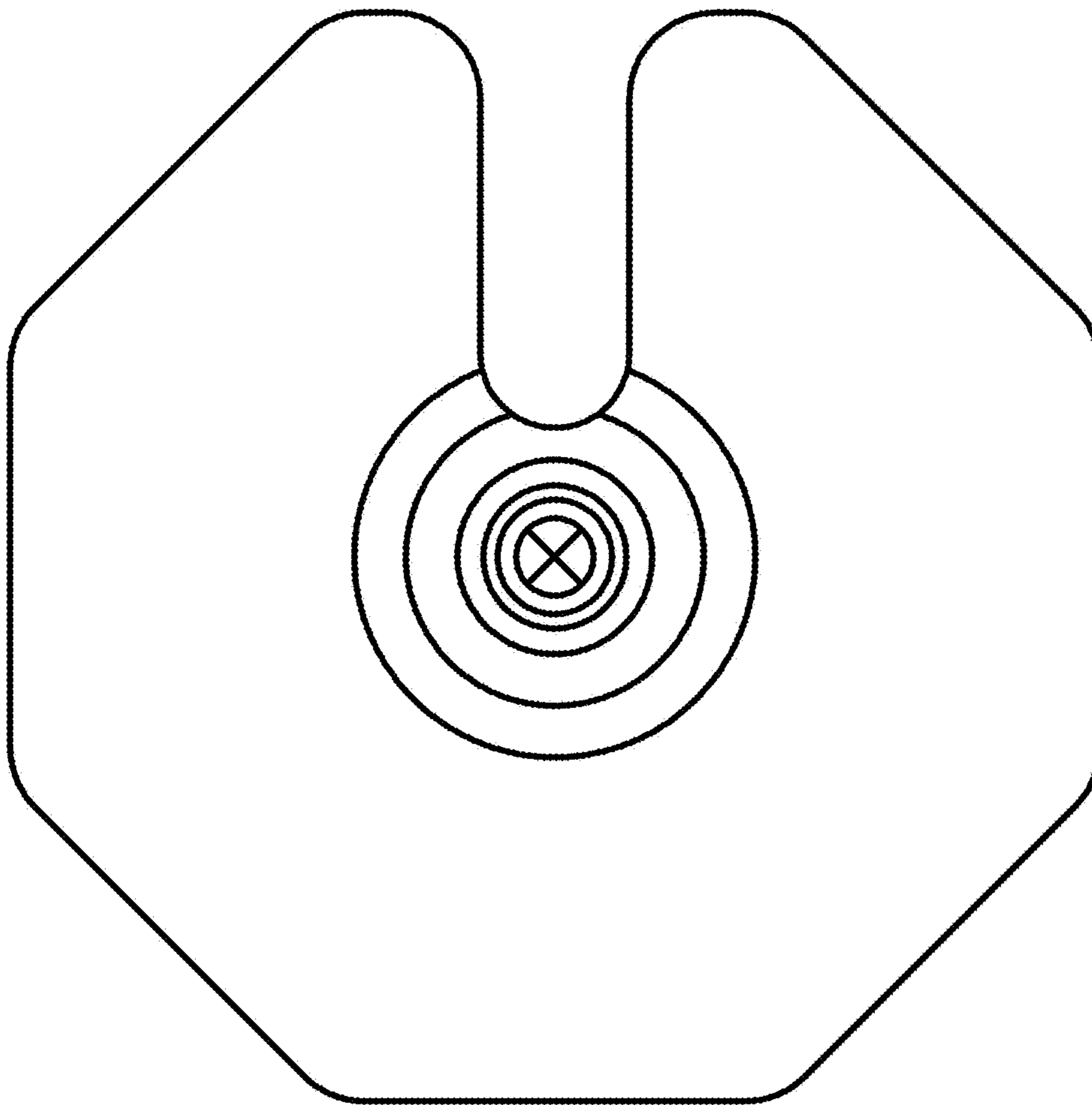


FIG. 6

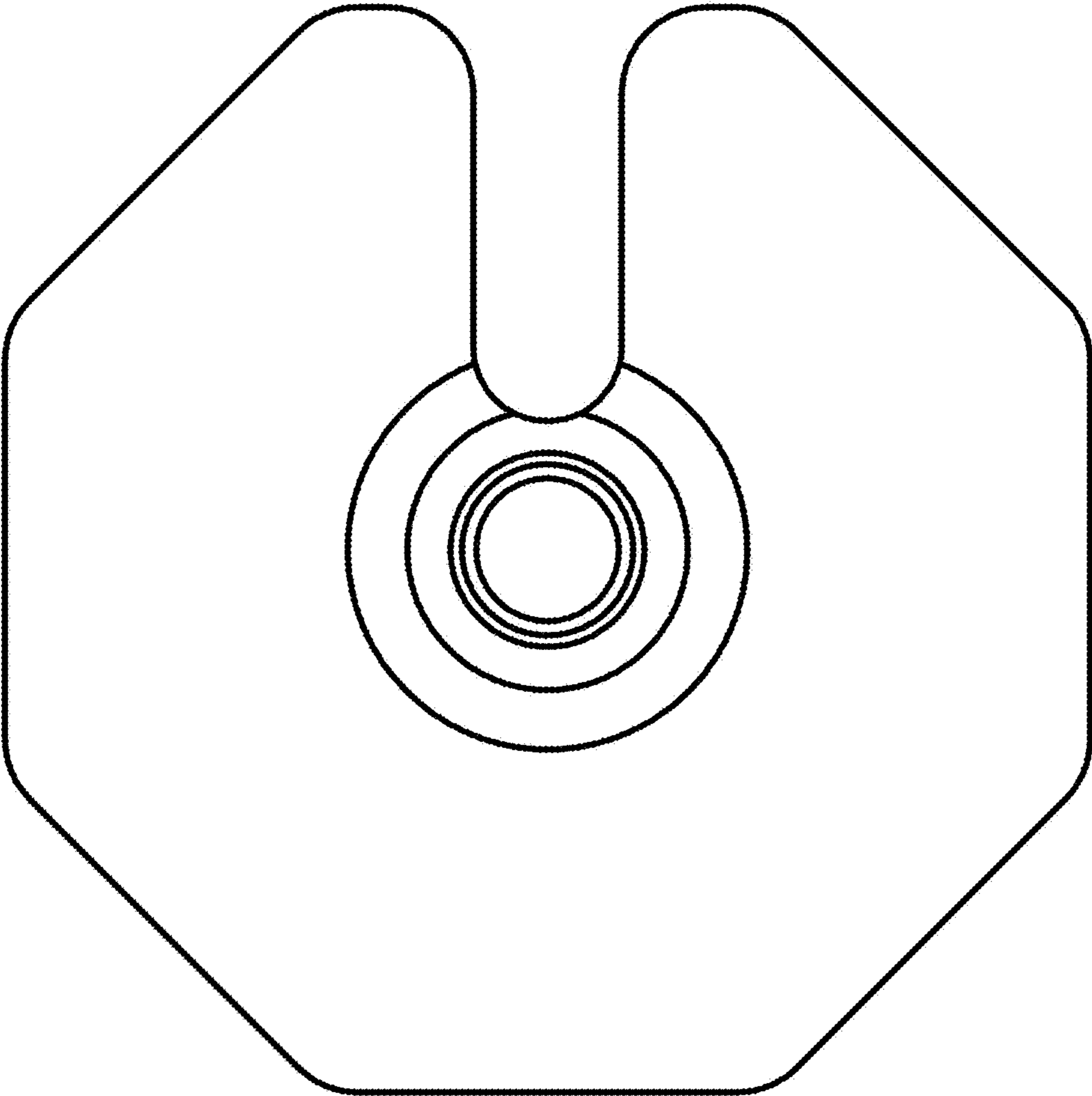


FIG. 7