



US00D918701S

(12) **United States Design Patent**
Ricehouse

(10) **Patent No.:** **US D918,701 S**

(45) **Date of Patent:** **** *May 11, 2021**

- (54) **BOLT**
- (71) Applicant: **Wheel Pros, LLC**, Greenwood Village, CO (US)
- (72) Inventor: **Daniel I. Ricehouse**, Phoenix, AZ (US)
- (*) Notice: This patent is subject to a terminal disclaimer.
- (**) Term: **15 Years**
- (21) Appl. No.: **29/722,977**
- (22) Filed: **Feb. 3, 2020**
- (51) **LOC (13) Cl.** **08-08**
- (52) **U.S. Cl.**
USPC **D8/387**
- (58) **Field of Classification Search**
USPC D8/385, 387, 388, 391, 397
CPC F16B 23/003; F16B 23/0038; F16B 23/0046; F16B 23/0007; F16B 23/0015; F16B 23/0023; F16B 23/00; F16B 23/0084; F16B 25/0036; F16B 25/0042; F16B 25/0015; F16B 25/0021; F16B 25/0026; F16B 25/0031; F16B 25/0047; F16B 25/001

See application file for complete search history.

(56) **References Cited**

U.S. PATENT DOCUMENTS

- 1,778,576 A * 10/1930 Walker B25B 1/24 411/521
- 1,928,068 A * 9/1933 Michelin F16B 43/02 301/35.626
- 3,352,190 A * 11/1967 Carlson F16B 35/047 411/403
- 3,400,626 A * 9/1968 Bergere B25B 15/005 411/405
- 3,901,122 A * 8/1975 Novotny F16B 29/00 411/366.1

- 3,969,974 A * 7/1976 Lejdegard F16B 23/003 411/405
- D268,565 S * 4/1983 Mortus D8/397
- 4,732,519 A * 3/1988 Wagner F16B 5/0258 403/14
- 4,842,467 A * 6/1989 Armstrong F16B 25/0026 411/386
- 5,199,152 A * 4/1993 Wagner F16B 41/002 29/444
- 5,207,545 A * 5/1993 Kochanski B25B 23/065 206/338
- 5,230,540 A * 7/1993 Lewis F02K 1/80 285/363
- 5,232,323 A * 8/1993 Baehre F16B 33/002 411/109
- 5,489,177 A * 2/1996 Schmidt, Jr. F16B 41/002 411/369
- D368,019 S * 3/1996 Ohtsuka D8/387
- D413,791 S * 9/1999 May D8/387
- 5,971,860 A * 10/1999 Medal B21C 51/00 411/8
- 6,089,806 A * 7/2000 Reynolds B21K 1/46 411/386

(Continued)

Primary Examiner — Sandra Snapp
Assistant Examiner — Ieisha N Price
(74) *Attorney, Agent, or Firm* — Eric Hanscom

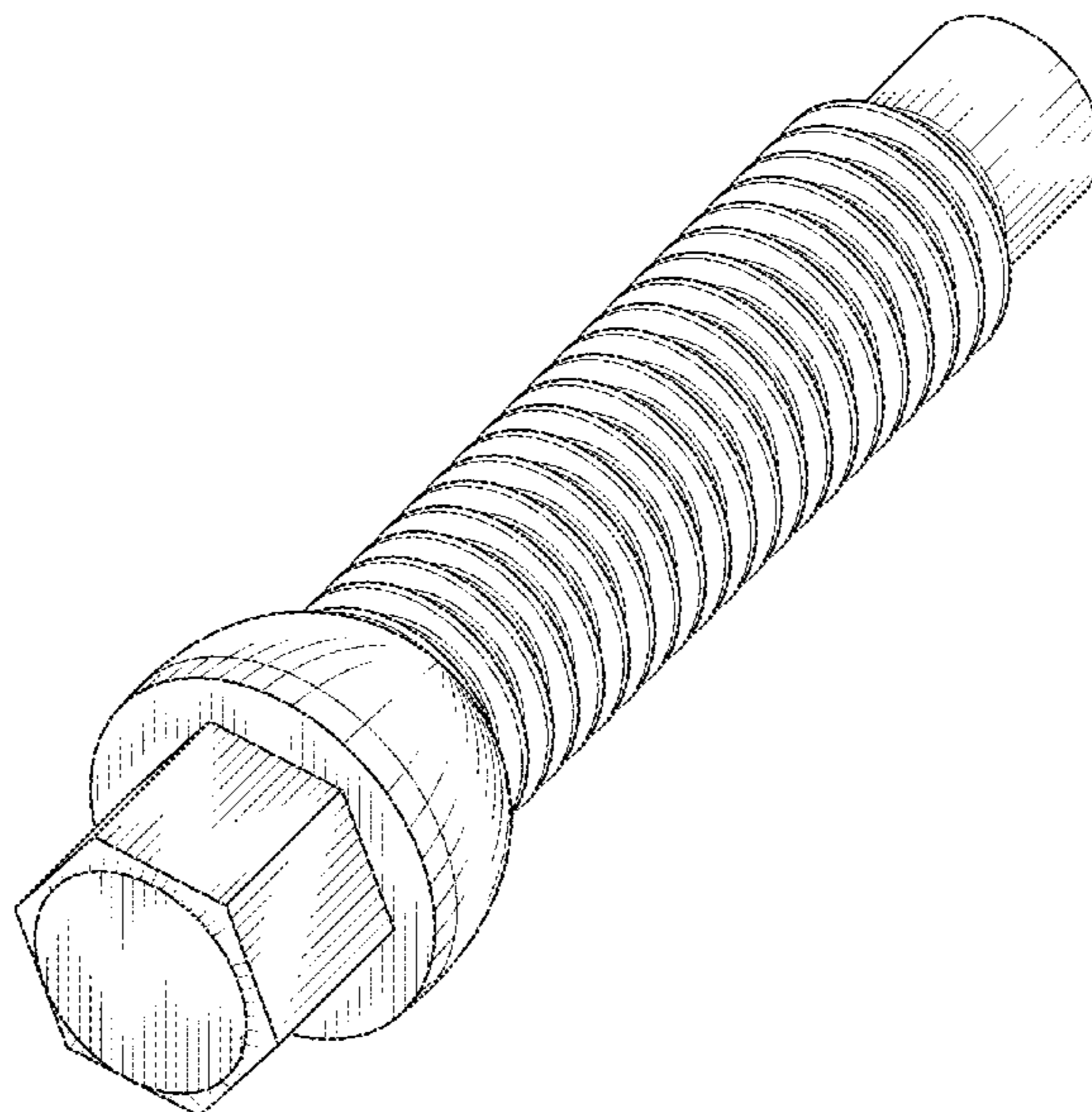
(57) **CLAIM**

The ornamental design for a bolt, as shown and described.

DESCRIPTION

FIG. 1 is a perspective view of a bolt showing my new design;
FIG. 2 is a front view thereof;
FIG. 3 is a back view thereof;
FIG. 4 is a top view thereof;
FIG. 5 is a bottom view thereof;
FIG. 6 is a right-side view thereof; and,
FIG. 7 is a left-side view thereof.

1 Claim, 4 Drawing Sheets



(56)

References Cited

U.S. PATENT DOCUMENTS

6,125,526	A *	10/2000	Wierzchon	F16B 5/0275	D792,201	S *	7/2017	Baiz	D8/387
						D793,850	S *	8/2017	Zhang	D8/387
6,174,118	B1 *	1/2001	Rebers	F16B 37/041	D798,701	S *	10/2017	Hill	F16B 37/14
											D8/397
						D803,038	S *	11/2017	Baker	D8/387
						D840,797	S *	2/2019	Bentley	D8/397
						10,221,946	B1 *	3/2019	Pai	F16B 23/0076
						D909,856	S *	2/2021	Cobzaru	D8/387
						D911,157	S *	2/2021	Polidori	D8/387
						2003/0185649	A1 *	10/2003	Mizuno	F16B 35/047
											411/411
						2005/0008451	A1 *	1/2005	Groppo	F16B 39/08
											411/431
						2005/0081578	A1 *	4/2005	Yoon	F16B 35/048
											68/131
						2007/0157736	A1 *	7/2007	Kawano	F16B 43/00
											73/761
						2008/0044254	A1 *	2/2008	Wilson	F16B 37/14
											411/429
						2008/0075403	A1 *	3/2008	Holt	F02M 55/025
											384/551
						2011/0070051	A1 *	3/2011	Chang	F16B 23/0092
											411/405
						2011/0116895	A1 *	5/2011	Garver	F16B 23/0038
											411/402
						2012/0034046	A1 *	2/2012	Cooper	F16B 35/041
											411/361
						2013/0125714	A1 *	5/2013	Dahners	A61B 17/8888
											81/451
						2013/0149071	A1 *	6/2013	Davis	F16B 1/0071
											411/402
						2014/0147226	A1 *	5/2014	Andrade de Souza	F16B 41/005
											411/3
						2015/0086290	A1 *	3/2015	Bisset	F16B 5/0266
											411/15
						2015/0313658	A1 *	11/2015	Kolb	A61B 17/8625
											606/309
						2016/0252125	A1 *	9/2016	Lares	F16B 23/0038
											411/402
						2017/0363129	A1 *	12/2017	Bada	B25B 13/065
						2018/0223889	A1 *	8/2018	Yi	B21K 1/46
						2018/0335067	A1 *	11/2018	Owen	F16B 35/045

* cited by examiner

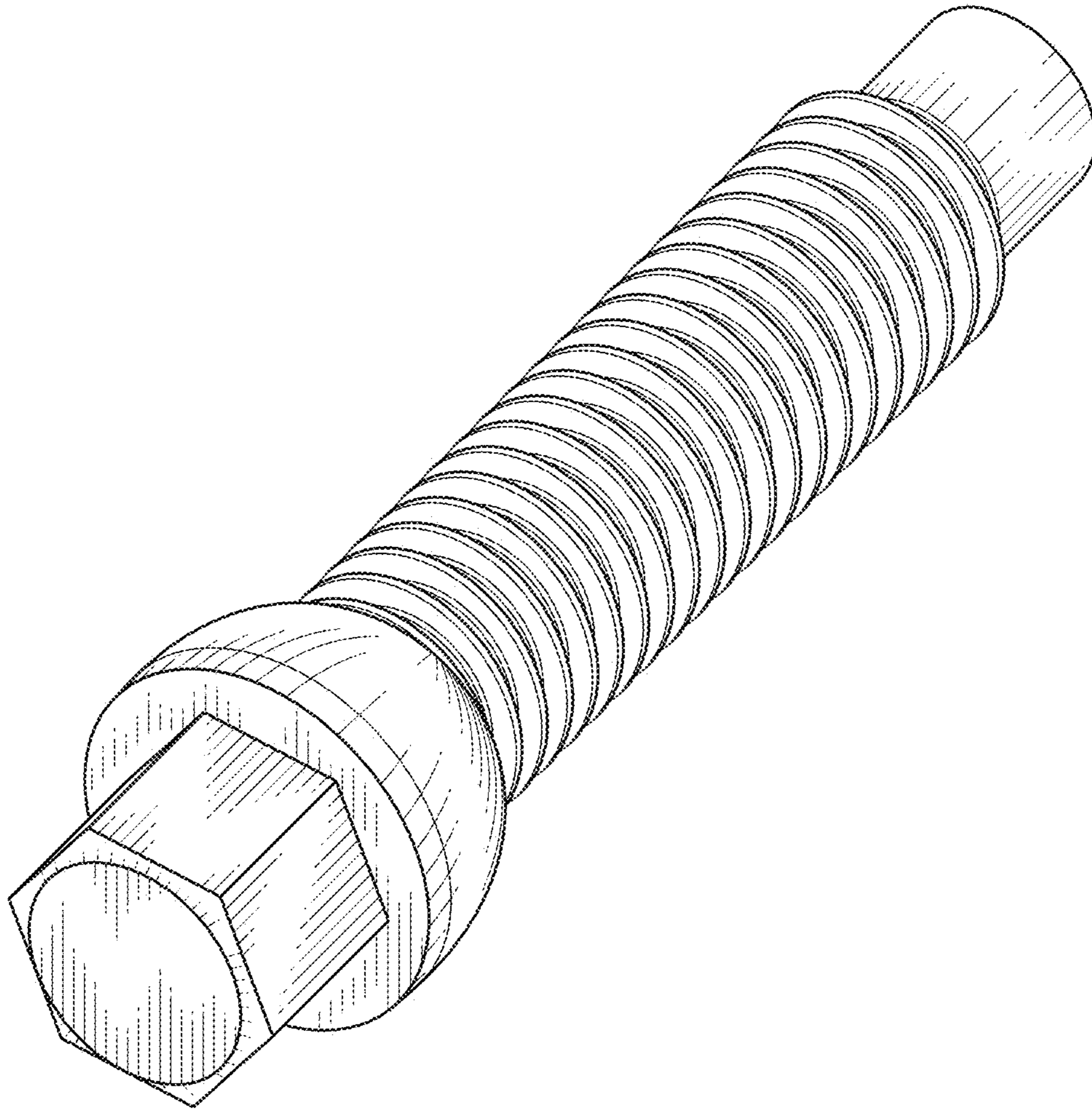


FIG. 1

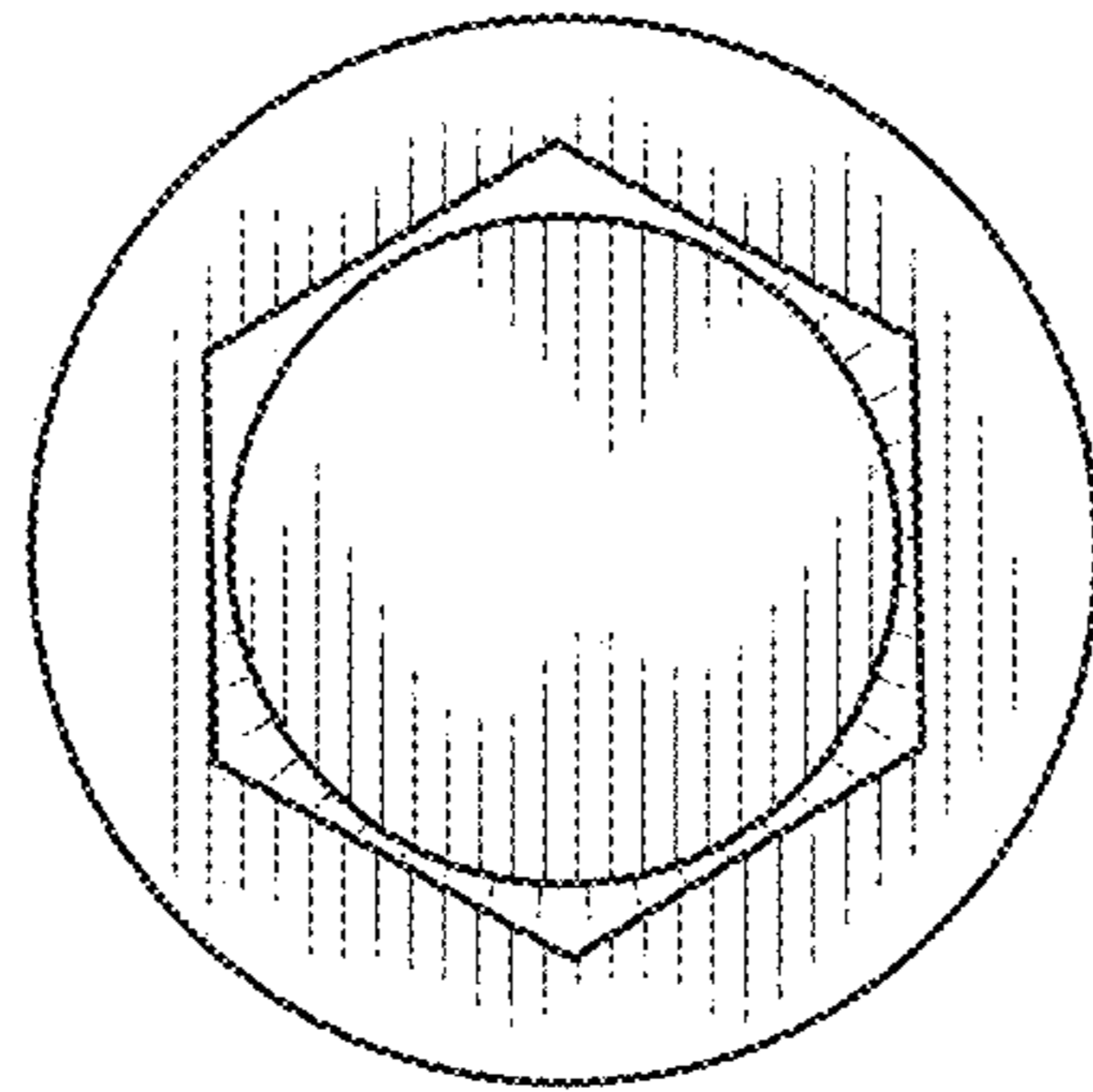


FIG. 2

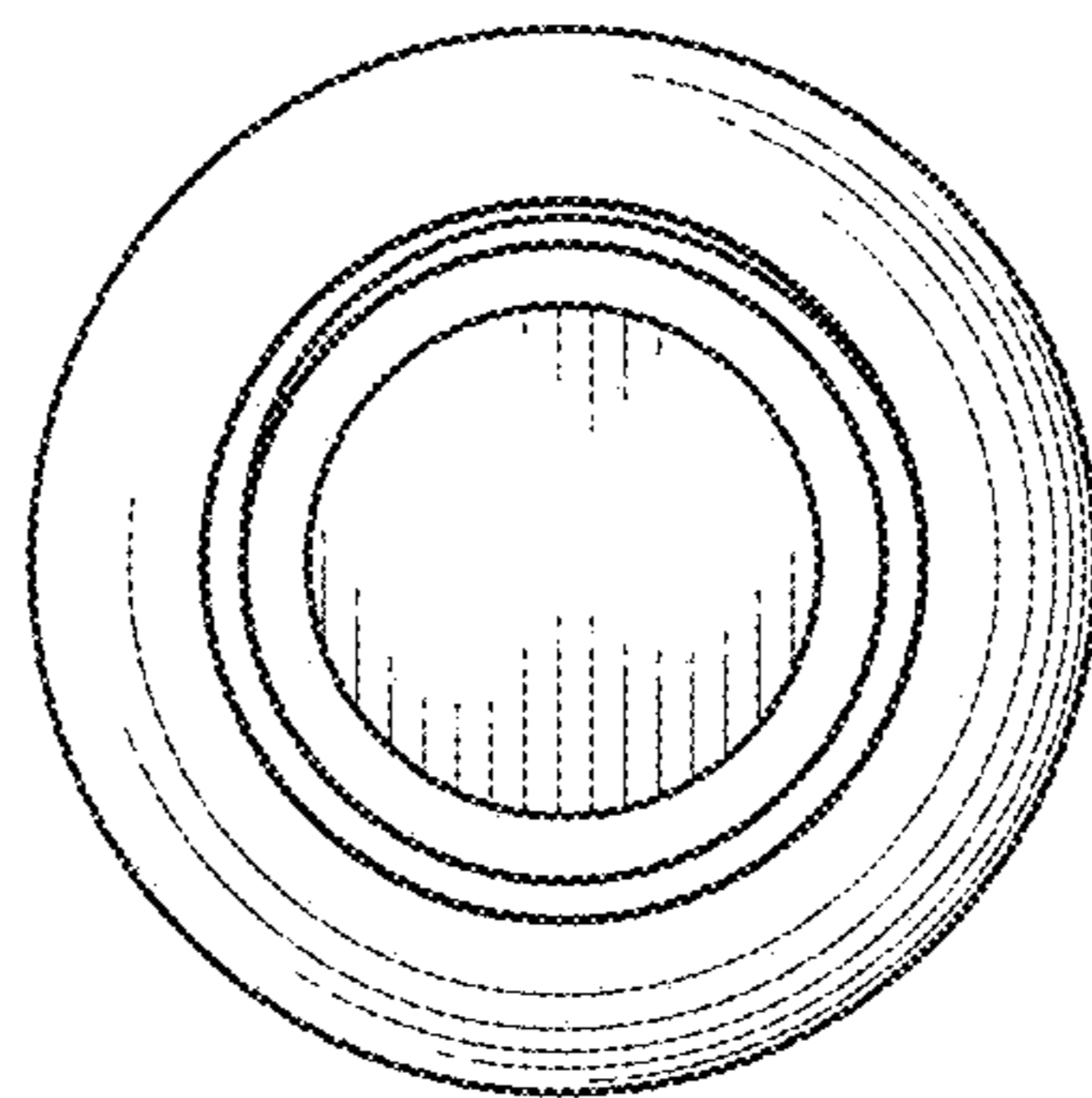


FIG. 3

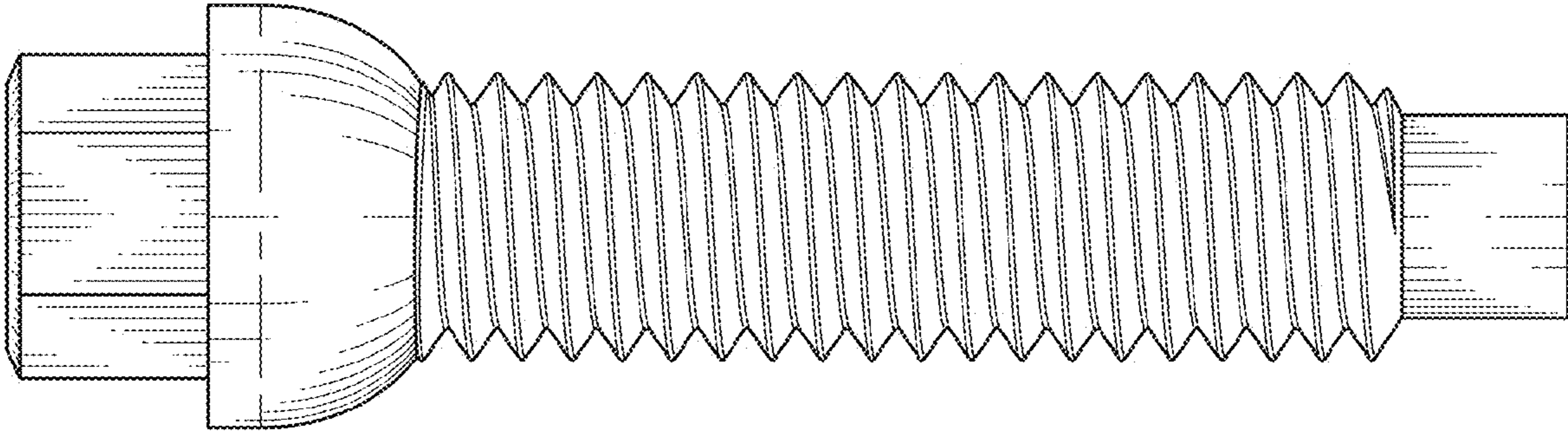


FIG. 4

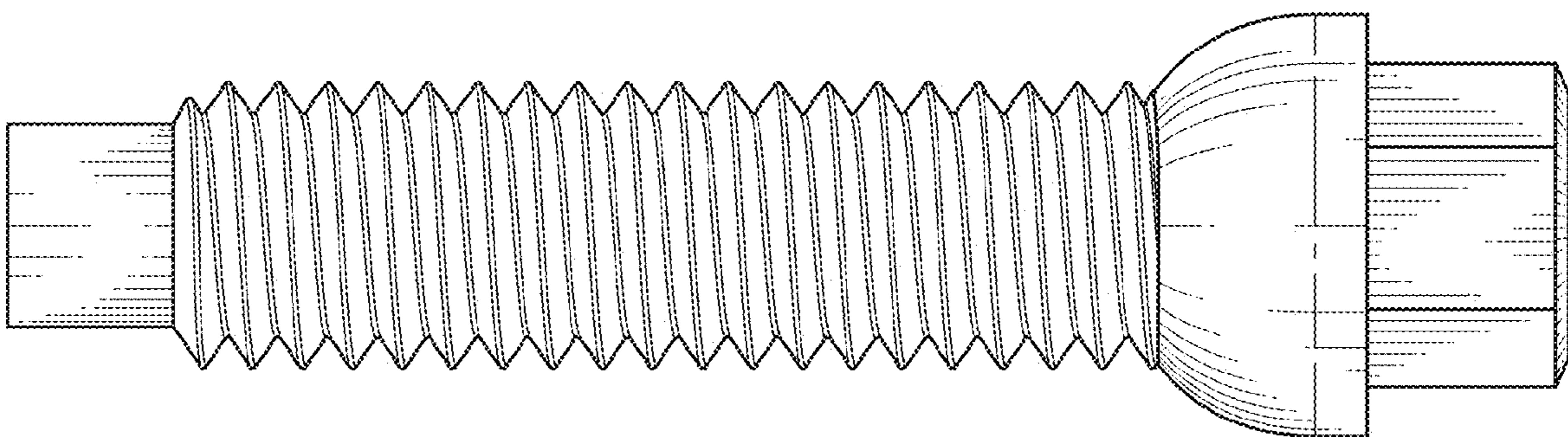


FIG. 5

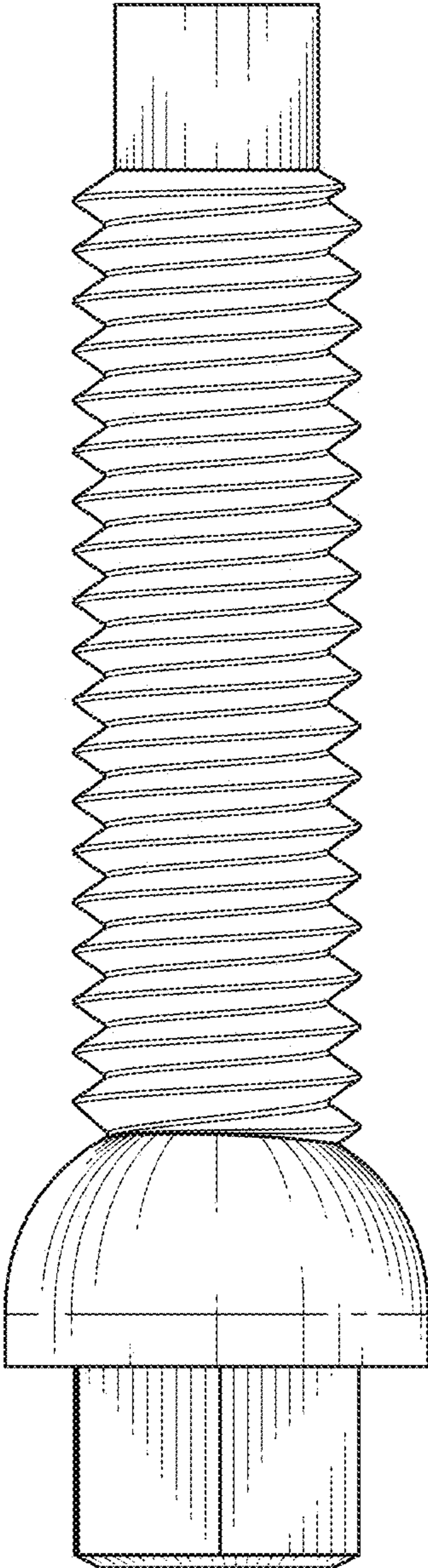


FIG. 6

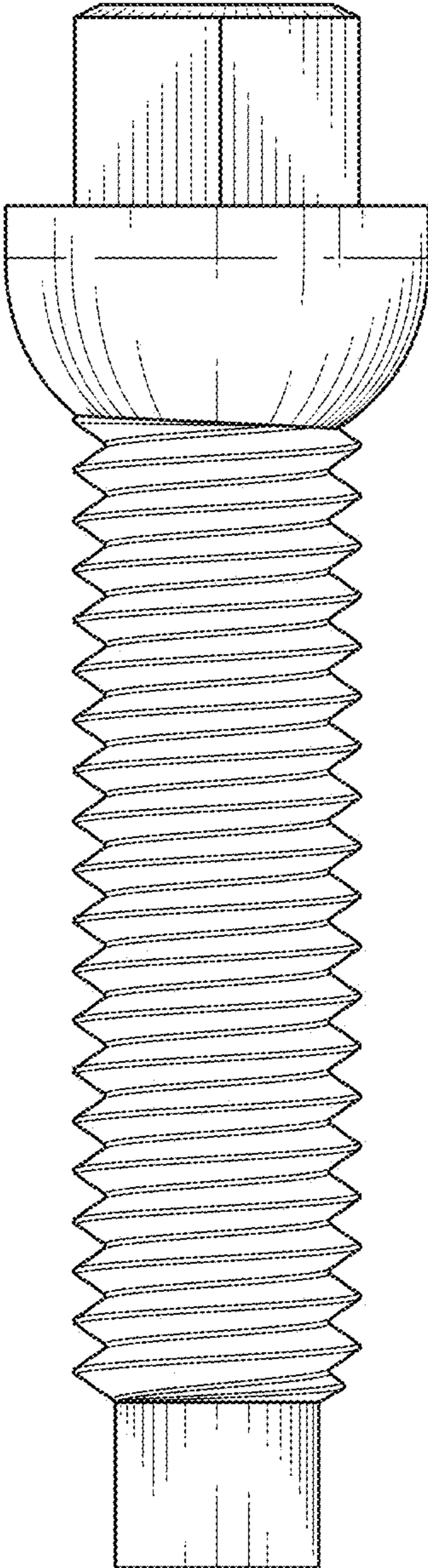


FIG. 7