



US00D918700S

(12) **United States Design Patent**  
**Ricehouse**

(10) **Patent No.:** **US D918,700 S**

(45) **Date of Patent:** **\*\* \*May 11, 2021**

- (54) **BOLT**
  - (71) Applicant: **Wheel Pros, LLC**, Greenwood Village, CO (US)
  - (72) Inventor: **Daniel I. Ricehouse**, Phoenix, AZ (US)
  - (\*) Notice: This patent is subject to a terminal disclaimer.
  - (\*\*) Term: **15 Years**
  - (21) Appl. No.: **29/722,925**
  - (22) Filed: **Feb. 3, 2020**
  - (51) **LOC (13) Cl.** ..... **08-08**
  - (52) **U.S. Cl.**  
USPC ..... **D8/387**
  - (58) **Field of Classification Search**  
USPC ..... D8/385, 387, 388, 391, 397  
CPC ..... F16B 23/003; F16B 23/0038;  
F16B 23/0046; F16B 23/0007; F16B 23/0015; F16B 23/0023; F16B 23/00;  
F16B 23/0084; F16B 25/0036; F16B 25/0042; F16B 25/0015; F16B 25/0021;  
F16B 25/0026; F16B 25/0031; F16B 25/0047; F16B 25/001
- See application file for complete search history.

- 3,969,974 A \* 7/1976 Lejdegard ..... F16B 23/003  
411/405
- D268,565 S \* 4/1983 Mortus ..... D8/397
- 4,732,519 A \* 3/1988 Wagner ..... F16B 5/0258  
403/14
- 4,842,467 A \* 6/1989 Armstrong ..... F16B 25/0026  
411/386
- 5,199,152 A \* 4/1993 Wagner ..... F16B 41/002  
29/444
- 5,207,545 A \* 5/1993 Kochanski ..... B25B 23/065  
206/338
- 5,230,540 A \* 7/1993 Lewis ..... F02K 1/80  
285/363
- 5,232,323 A \* 8/1993 Baehre ..... F16B 33/002  
411/109
- 5,489,177 A \* 2/1996 Schmidt, Jr. .... F16B 41/002  
411/369
- D368,019 S \* 3/1996 Ohtsuka ..... D8/387
- D413,791 S \* 9/1999 May ..... D8/387
- 5,971,860 A \* 10/1999 Medal ..... B21C 51/00  
411/8
- 6,089,806 A \* 7/2000 Reynolds ..... B21K 1/46  
411/386

(Continued)

*Primary Examiner* — Sandra Snapp  
*Assistant Examiner* — Ieisha N Price  
(74) *Attorney, Agent, or Firm* — Eric Hanscom

(57) **CLAIM**

The ornamental design for a bolt, as shown and described.

(56) **References Cited**

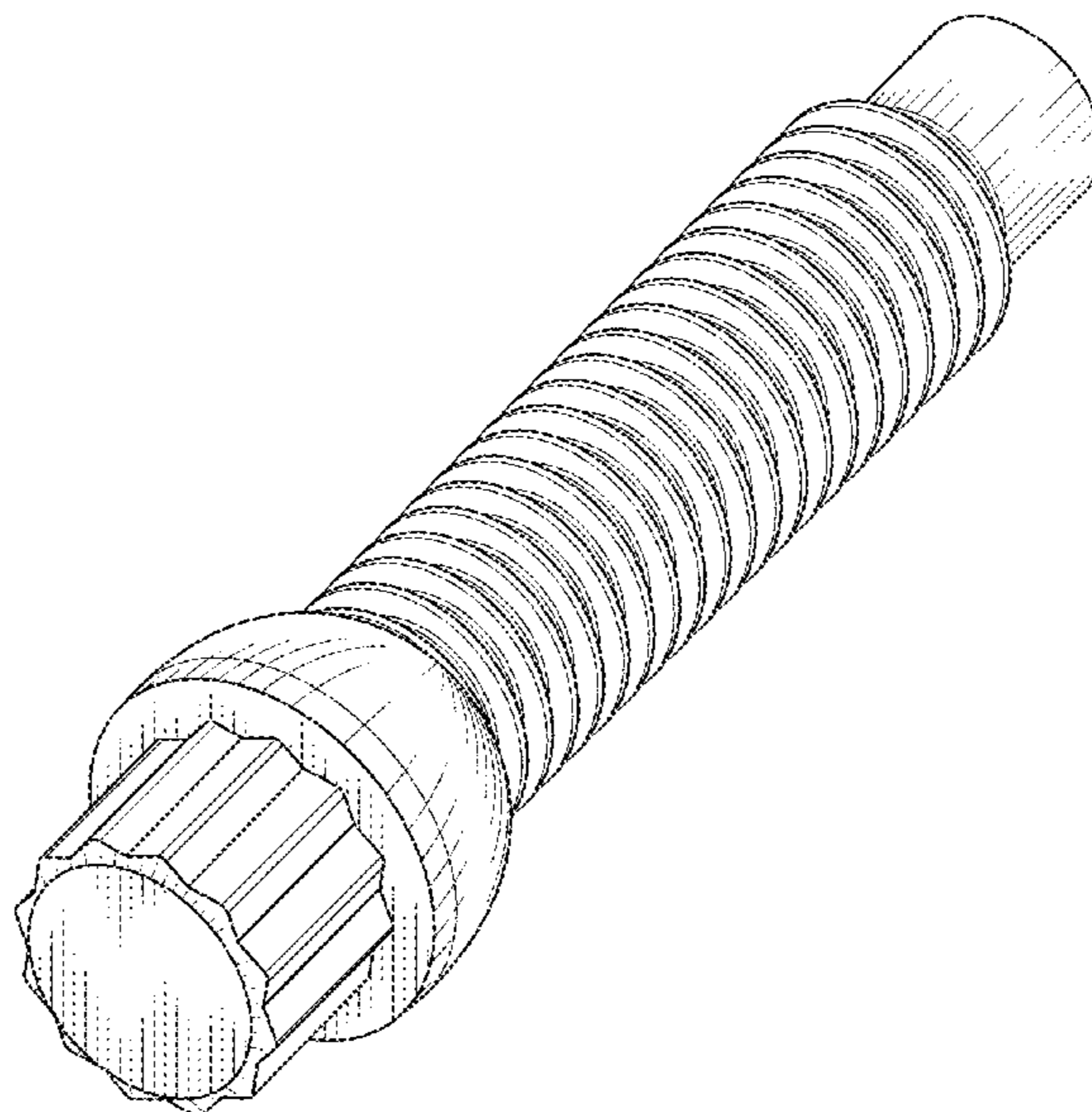
U.S. PATENT DOCUMENTS

- 1,778,576 A \* 10/1930 Walker ..... B25B 1/24  
411/521
- 1,928,068 A \* 9/1933 Michelin ..... F16B 43/02  
301/35.626
- 3,352,190 A \* 11/1967 Carlson ..... F16B 35/047  
411/403
- 3,400,626 A \* 9/1968 Bergere ..... B25B 15/005  
411/405
- 3,901,122 A \* 8/1975 Novotny ..... F16B 29/00  
411/366.1

**DESCRIPTION**

FIG. 1 is a perspective view of a bolt showing my new design;  
FIG. 2 is a front view thereof;  
FIG. 3 is a back view thereof;  
FIG. 4 is a top view thereof;  
FIG. 5 is a left-side view thereof;  
FIG. 6 is a right-side view thereof; and,  
FIG. 7 is a bottom view thereof.

**1 Claim, 4 Drawing Sheets**



(56)

**References Cited**

U.S. PATENT DOCUMENTS

6,125,526	A *	10/2000	Wierzchon .....	F16B 5/0275 29/525.02	D792,201	S *	7/2017	Baiz .....	D8/387
6,174,118	B1 *	1/2001	Rebers .....	F16B 37/041 411/107	D793,850	S *	8/2017	Zhang .....	D8/387
6,227,784	B1 *	5/2001	Antoine .....	F02B 77/00 411/11	D798,701	S *	10/2017	Hill .....	F16B 37/14 D8/397
6,264,414	B1 *	7/2001	Hartmann .....	F16B 31/00 411/392	D803,038	S *	11/2017	Baker .....	D8/387
6,280,132	B1 *	8/2001	Szczukowski ...	F02M 35/10078 411/353	D840,797	S *	2/2019	Bentley .....	D8/397
D455,636	S *	4/2002	Gilbert .....	D8/331	10,221,946	B1 *	3/2019	Pai .....	F16B 23/0076
6,435,791	B1 *	8/2002	Bydalek .....	B60B 3/145 411/371.2	D909,856	S *	2/2021	Cobzaru .....	D8/387
6,517,301	B2 *	2/2003	Hartmann .....	F16B 35/06 411/136	D911,157	S *	2/2021	Polidori .....	D8/387
D476,873	S *	7/2003	Carroll .....	D8/70	2003/0185649	A1 *	10/2003	Mizuno .....	F16B 35/047 411/411
6,866,769	B2 *	3/2005	Anderson .....	B23H 3/00 204/224 M	2005/0008451	A1 *	1/2005	Groppo .....	F16B 39/08 411/431
7,364,394	B2 *	4/2008	Ramasamy .....	F16B 37/061 411/171	2005/0081578	A1 *	4/2005	Yoon .....	F16B 35/048 68/131
D604,600	S *	11/2009	Lesesky .....	D8/387	2007/0157736	A1 *	7/2007	Kawano .....	F16B 43/00 73/761
7,686,554	B2 *	3/2010	Amann .....	F16B 43/00 411/352	2008/0044254	A1 *	2/2008	Wilson .....	F16B 37/14 411/429
7,771,149	B2 *	8/2010	Bauer .....	F16B 41/002 411/533	2008/0075403	A1 *	3/2008	Holt .....	F02M 55/025 384/551
8,079,773	B2 *	12/2011	Blanton .....	F16L 47/14 403/335	2011/0070051	A1 *	3/2011	Chang .....	F16B 23/0092 411/405
8,202,031	B2 *	6/2012	Hartmann .....	F16B 41/002 411/353	2011/0116895	A1 *	5/2011	Garver .....	F16B 23/0038 411/402
8,210,784	B2 *	7/2012	Hartmann .....	F16B 41/002 411/353	2012/0034046	A1 *	2/2012	Cooper .....	F16B 35/041 411/361
8,393,841	B1 *	3/2013	Angeloni .....	F16B 35/06 411/409	2013/0125714	A1 *	5/2013	Dahners .....	A61B 17/8888 81/451
D720,785	S *	1/2015	Sato .....	D15/144.2	2013/0149071	A1 *	6/2013	Davis .....	F16B 1/0071 411/402
D746,129	S *	12/2015	Kishida .....	D8/399	2014/0147226	A1 *	5/2014	Andrade de Souza .....	F16B 41/005 411/3
9,297,407	B2 *	3/2016	Pudvah .....	F16B 5/02	2015/0086290	A1 *	3/2015	Bisset .....	F16B 5/0266 411/15
D760,582	S *	7/2016	Muzic .....	D8/387	2015/0313658	A1 *	11/2015	Kolb .....	A61B 17/8625 606/309
D764,267	S *	8/2016	Hutter, III .....	D8/387	2016/0252125	A1 *	9/2016	Lares .....	F16B 23/0038 411/402
9,482,260	B1 *	11/2016	Krause .....	A61B 17/8625	2017/0363129	A1 *	12/2017	Bada .....	B25B 13/065
D779,930	S *	2/2017	Chen .....	D8/387	2018/0223889	A1 *	8/2018	Yi .....	B21K 1/46
D787,924	S *	5/2017	Baiz .....	D8/387	2018/0335067	A1 *	11/2018	Owen .....	F16B 35/045
D790,612	S *	6/2017	Haimer .....	D15/138					

\* cited by examiner

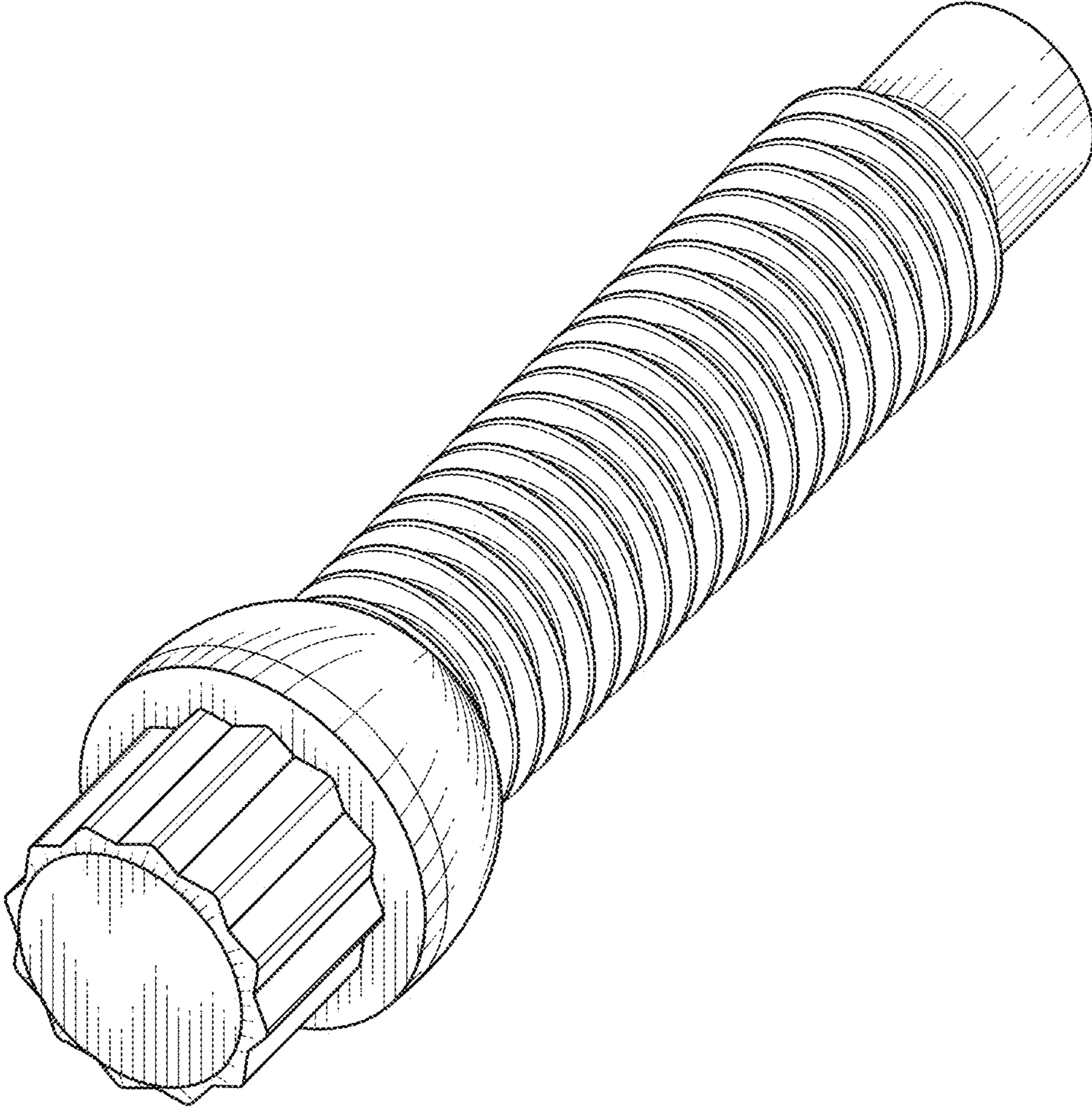


FIG. 1

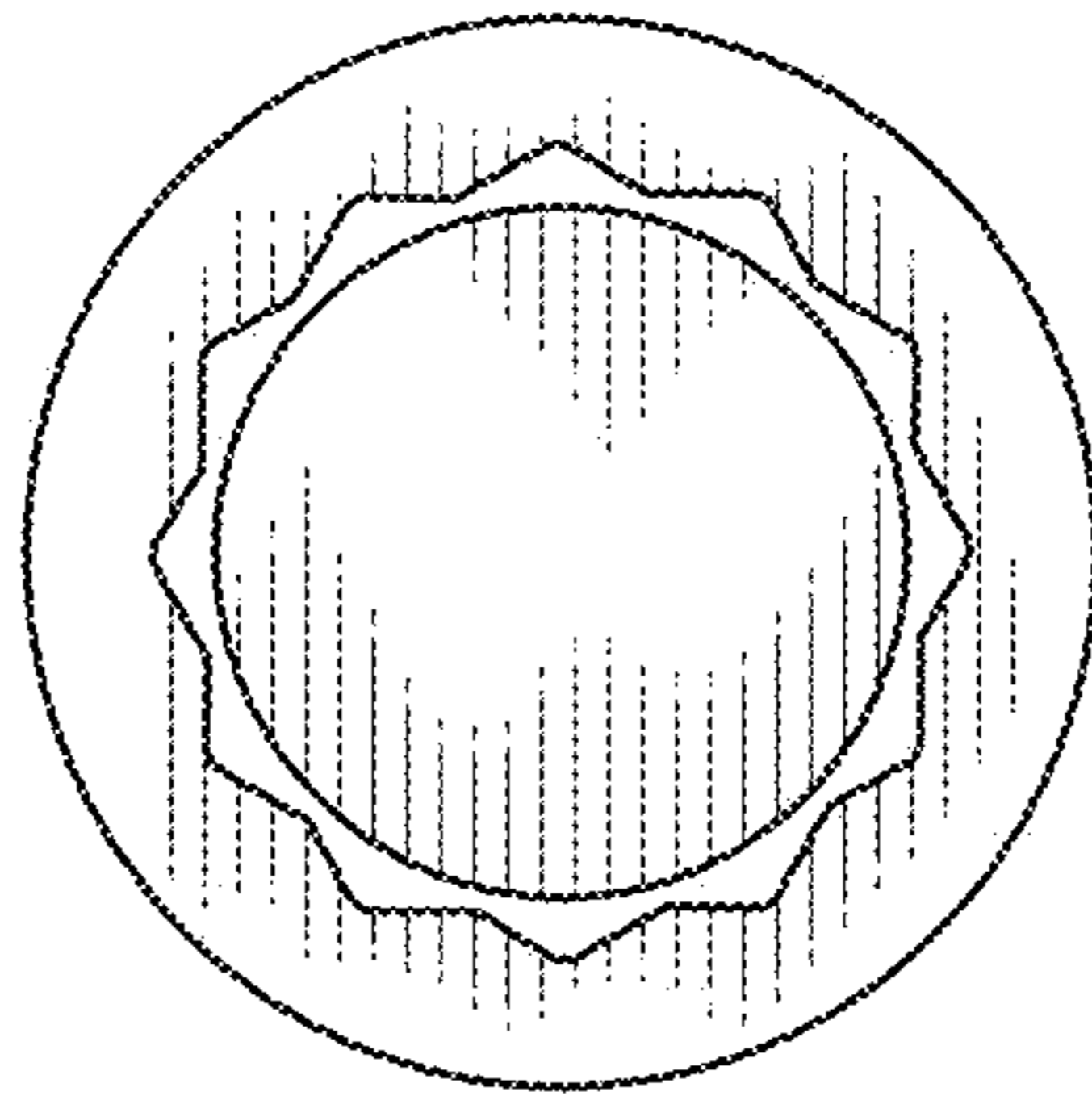


FIG. 2

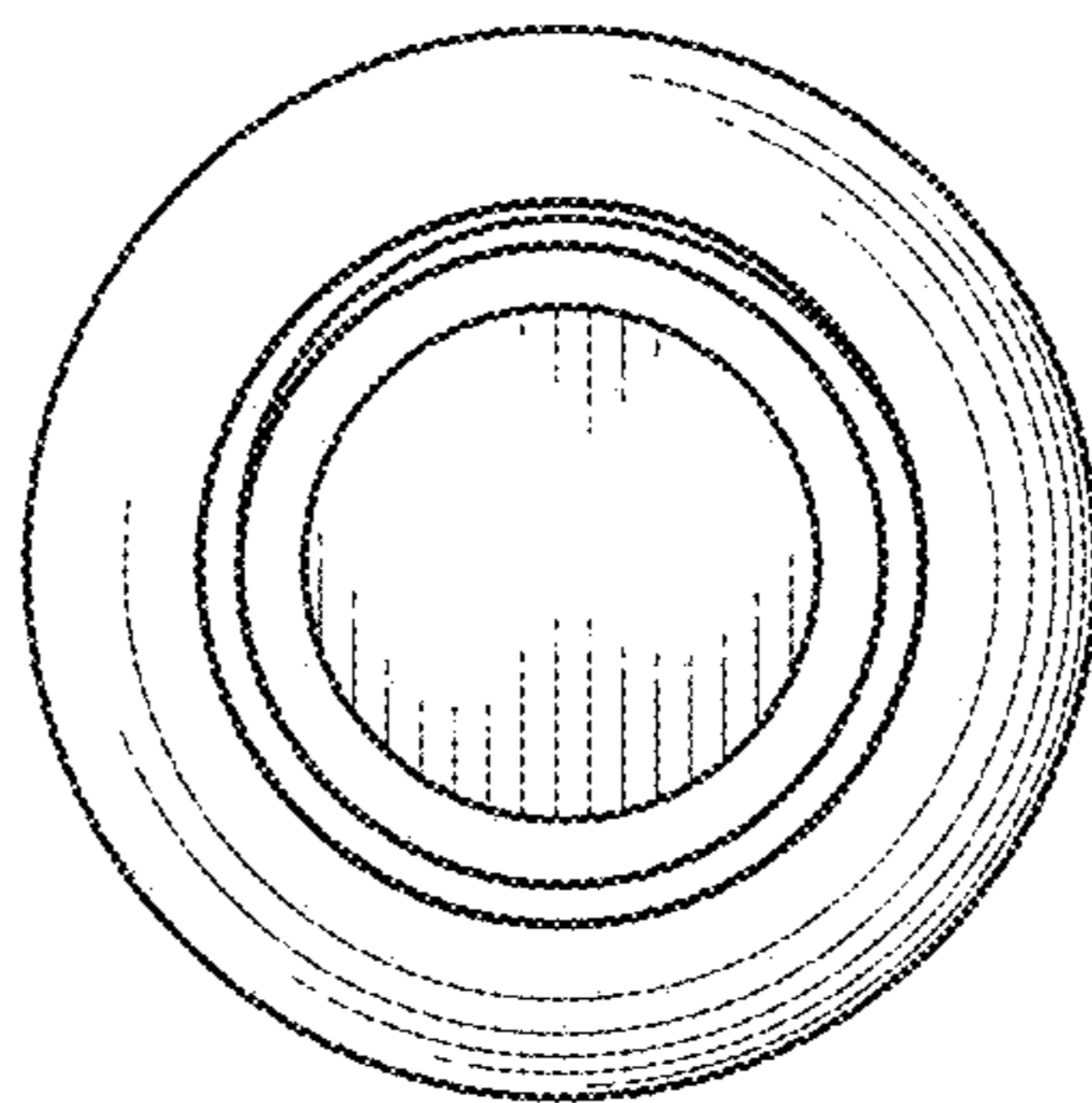


FIG. 3

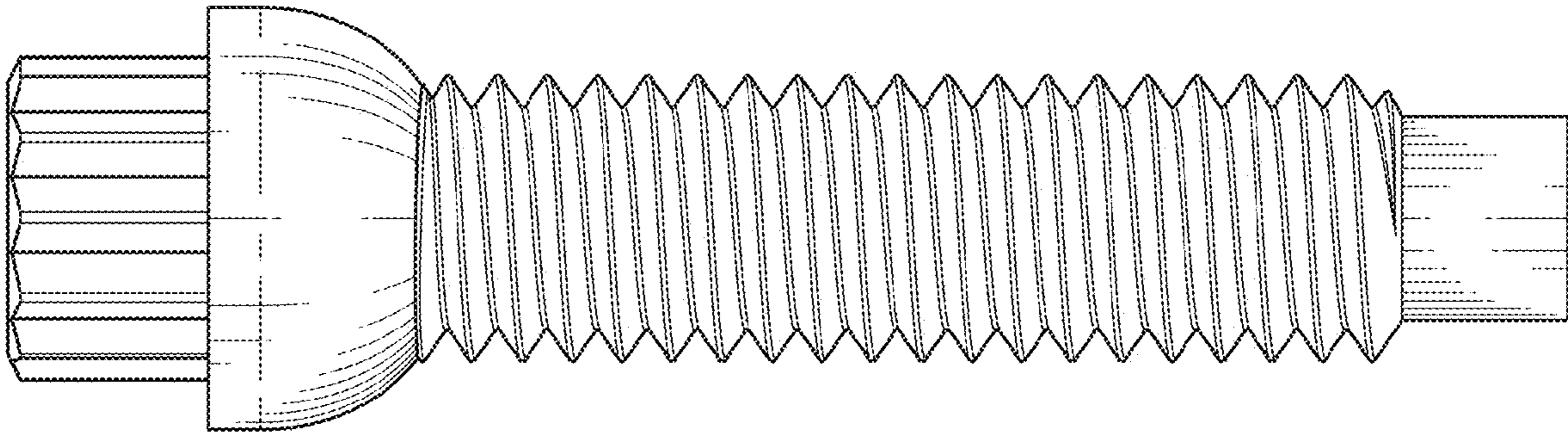


FIG. 4

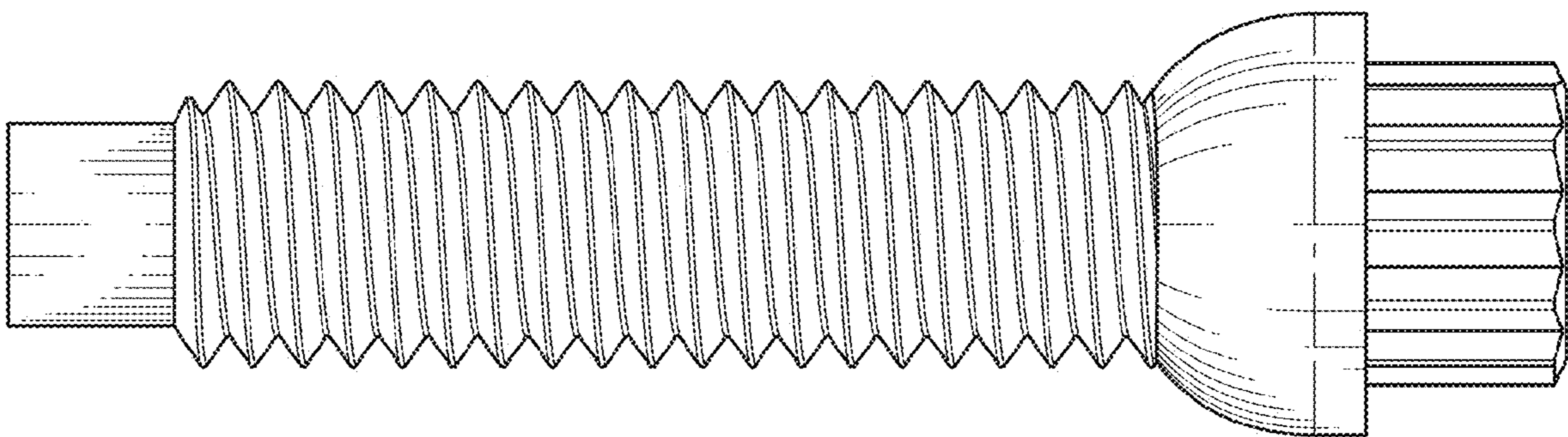


FIG. 5

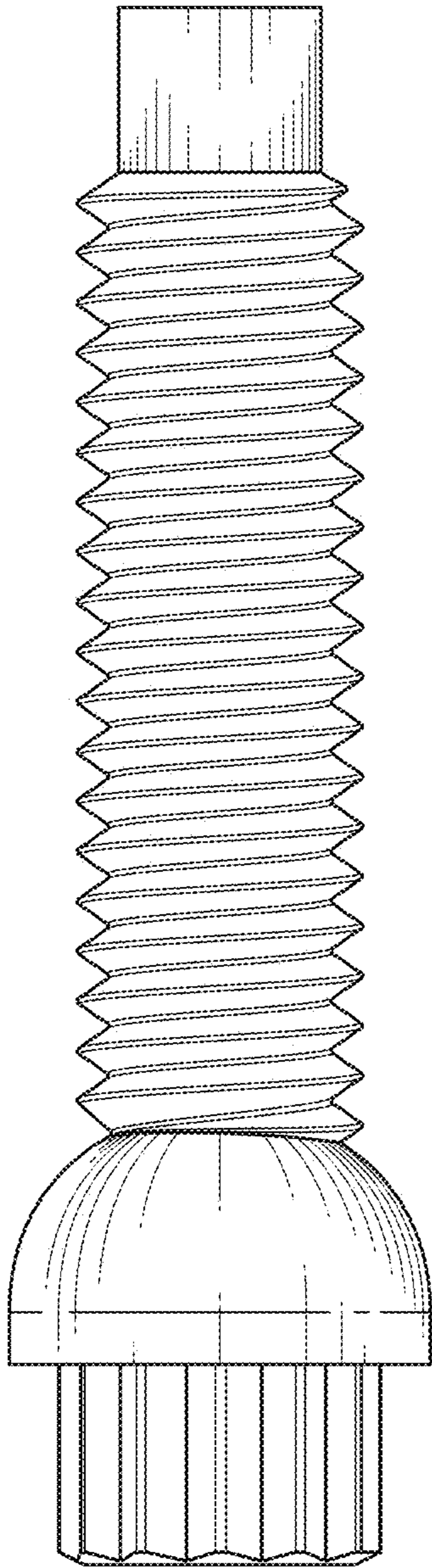


FIG. 6

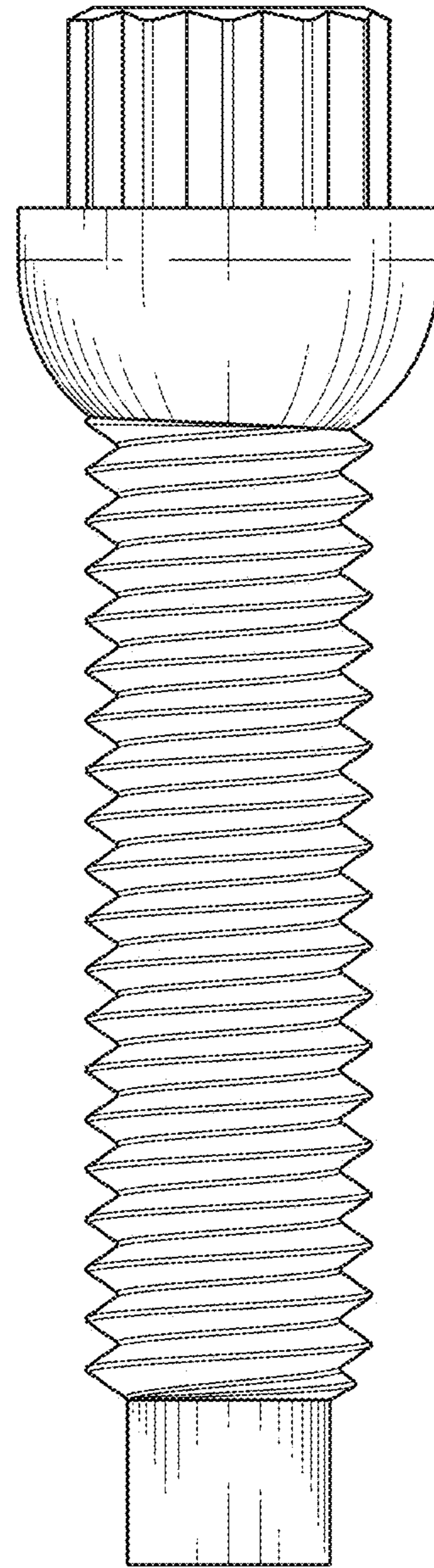


FIG. 7