



US00D918699S

(12) **United States Design Patent** (10) **Patent No.:** **US D918,699 S**
Apkarian et al. (45) **Date of Patent:** **** May 11, 2021**

(54) **PAIR OF COUPLABLE ADAPTERS FOR A LIGHT BAR**

(71) Applicants: **Christopher Apkarian**, Hooksett, NH (US); **Nicholas Fowler**, Deering, NH (US)

(72) Inventors: **Christopher Apkarian**, Hooksett, NH (US); **Nicholas Fowler**, Deering, NH (US)

(73) Assignee: **Osram Sylvania Inc.**, Wilmington, MA (US)

(**) Term: **15 Years**

(21) Appl. No.: **29/700,355**

(22) Filed: **Aug. 1, 2019**

(51) **LOC (13) Cl.** **08-08**

(52) **U.S. Cl.**
USPC **D8/382**

(58) **Field of Classification Search**
USPC D8/349, 354, 382, 394; D10/103, 121, D10/114.3, 114.4, 114.5, 114.7
CPC F21W 2102/00; F21W 2107/10; F21Y 2103/00; F21Y 2115/10; F21V 21/005; B60Q 1/18; B62D 65/16
See application file for complete search history.

(56) **References Cited**

U.S. PATENT DOCUMENTS

D308,116 S *	5/1990	Vandergrift	D26/149
D329,821 S *	9/1992	Wyatt	D10/103
D371,504 S *	7/1996	Massie	D8/349
D371,861 S *	7/1996	Stamm	D26/140
D386,364 S *	11/1997	Rimback	D8/1
D386,365 S *	11/1997	Rimback	D8/1
D386,366 S *	11/1997	Rimback	D8/1
D386,367 S *	11/1997	Rimback	D8/1
D386,368 S *	11/1997	Rimback	D8/1

D389,050 S *	1/1998	Li	D8/395
D522,348 S *	6/2006	Hansen	D8/354
D531,890 S *	11/2006	Bentrim	D8/382
D548,571 S *	8/2007	Bigelow	D8/349
D687,698 S *	8/2013	Machijima	D8/354
D702,532 S *	4/2014	Garrido	D8/354
D727,719 S *	4/2015	Ribeiro	D8/382
D787,970 S *	5/2017	Goltche	D10/114.4
D831,463 S *	10/2018	Granberg	D8/349
D847,607 S *	5/2019	Granberg	D8/349
10,502,398 B2 *	12/2019	Toft	F21V 21/00

(Continued)

Primary Examiner — Sandra Snapp

Assistant Examiner — Ieisha N Price

(74) *Attorney, Agent, or Firm* — Edward Podszus

(57) **CLAIM**

The ornamental design for a pair of coupling adapters for a light bar, as shown and described.

DESCRIPTION

FIG. 1 is a perspective view of the new design for a pair of couplable adapters for a light bar as seen from the top, rear, right side;

FIG. 2 is a perspective view thereof, as seen from the top, front, left side;

FIG. 3 is a rear elevational view thereof;

FIG. 4 is a left side elevational view thereof;

FIG. 5 is a right side elevational view thereof;

FIG. 6 is a front elevational view thereof;

FIG. 7 is a top plan view thereof;

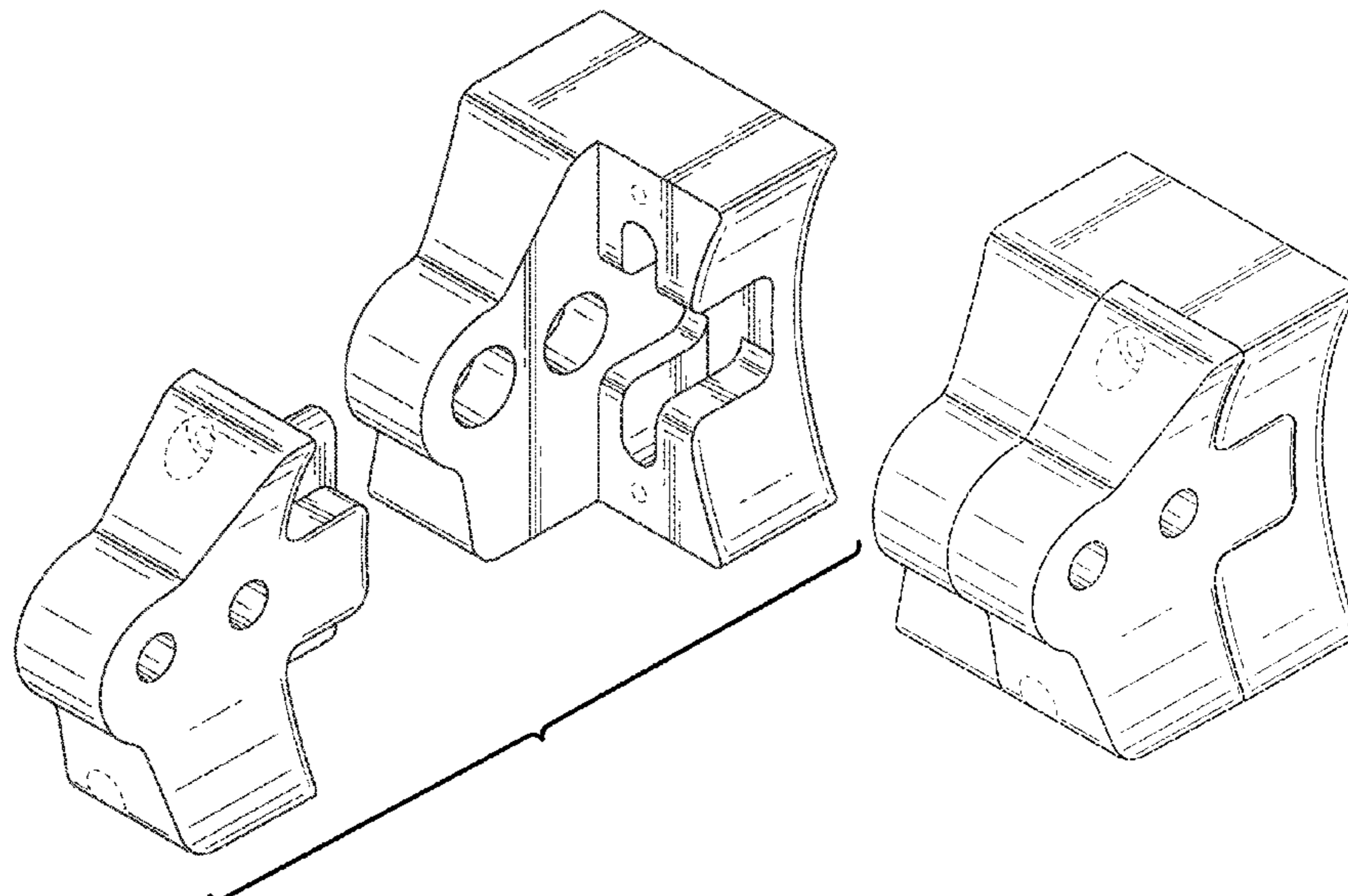
FIG. 8 is a bottom plan view thereof;

FIG. 9 is a perspective view of the pair of coupled adapters, as seen from the top, rear, right side; and,

FIG. 10 is a perspective view of FIG. 9, as seen from the top, front, left side.

The broken lines in the drawings illustrate portions of the pair of couplable adapters for a light bar and form no part of the claimed design.

1 Claim, 6 Drawing Sheets



(56)

References Cited

U.S. PATENT DOCUMENTS

D880,982 S * 4/2020 Morehead D8/349
D886,570 S * 6/2020 Twitchell D8/356
D891,227 S * 7/2020 Lovgren D8/349
2014/0313721 A1 * 10/2014 Morgan F21S 4/20
362/249.03
2017/0051905 A1 * 2/2017 Luu F21V 21/005
2018/0112842 A1 * 4/2018 Butler F21V 21/005
2018/0180265 A1 * 6/2018 SanFacon F21S 2/005
2020/0141545 A1 * 5/2020 Gielen F21V 21/008

* cited by examiner

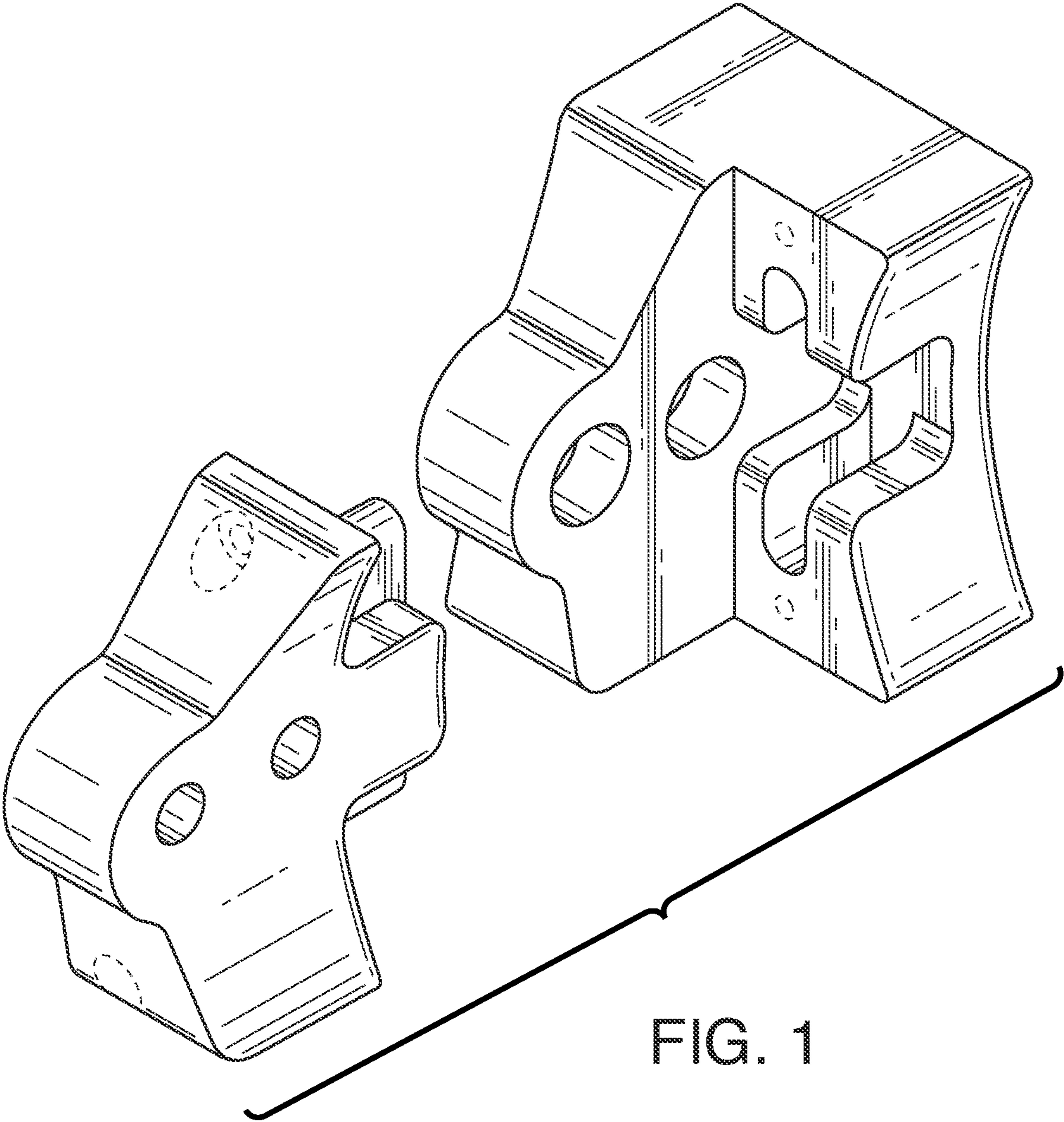


FIG. 1

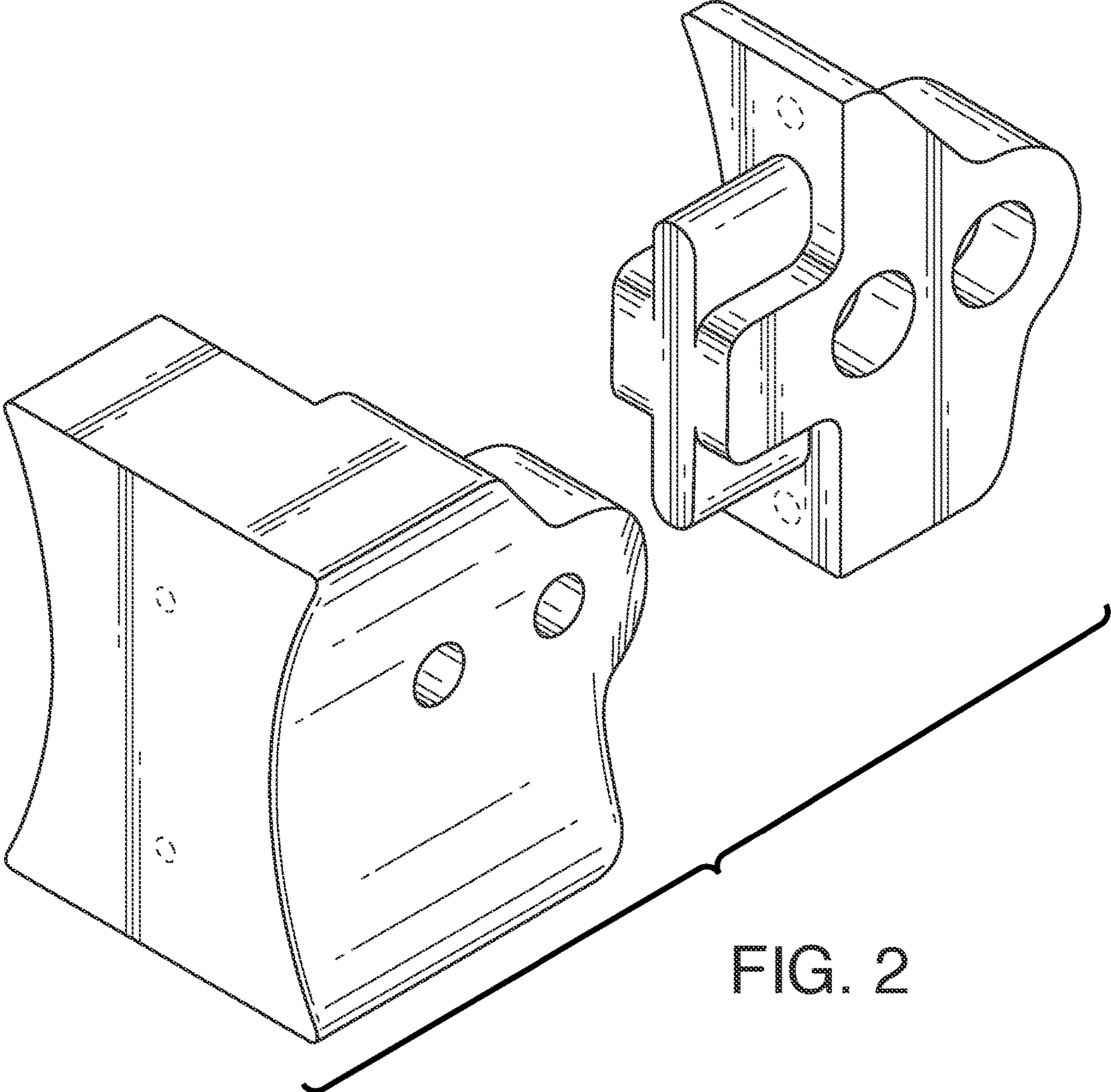


FIG. 2

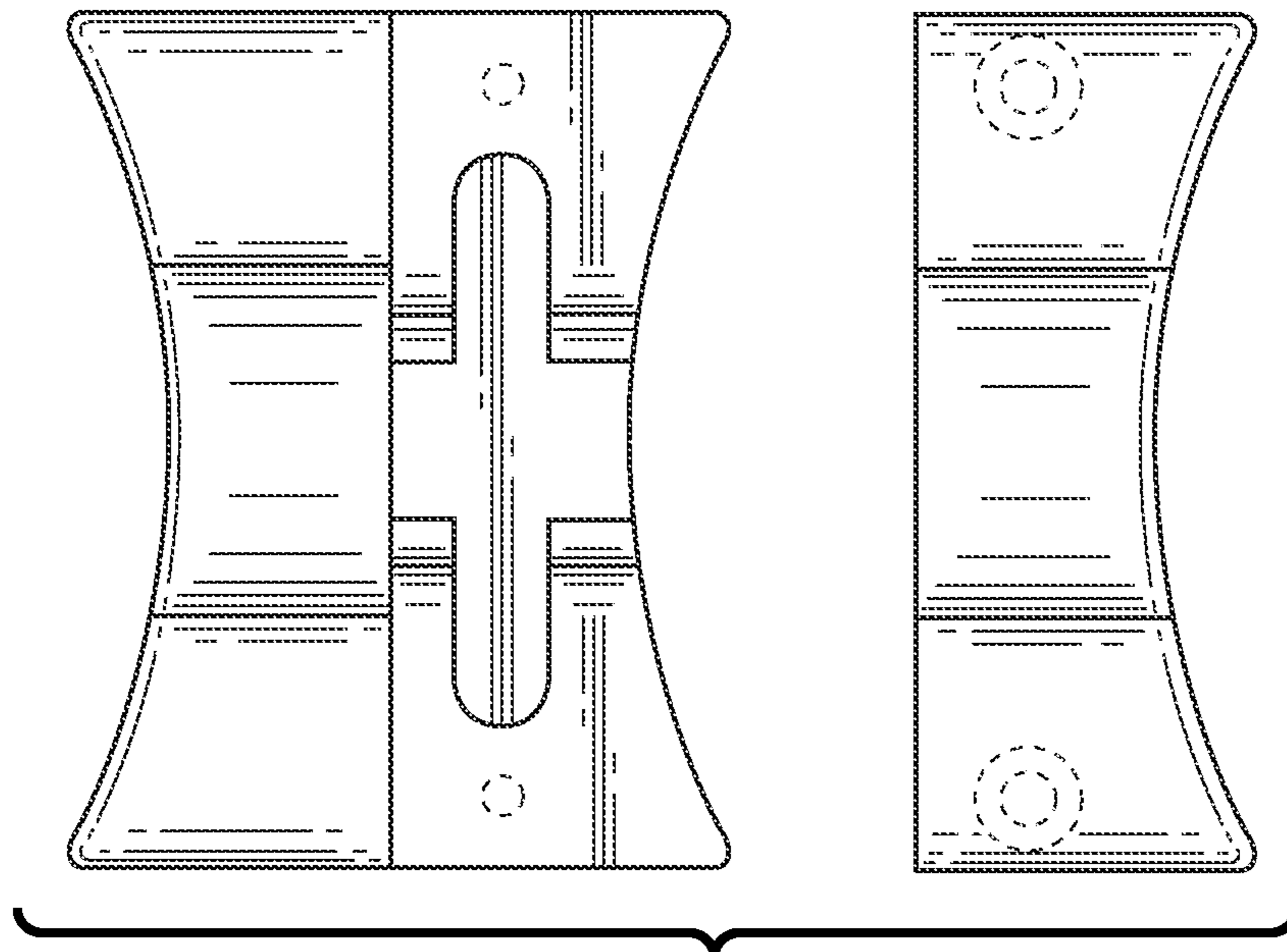


FIG. 3

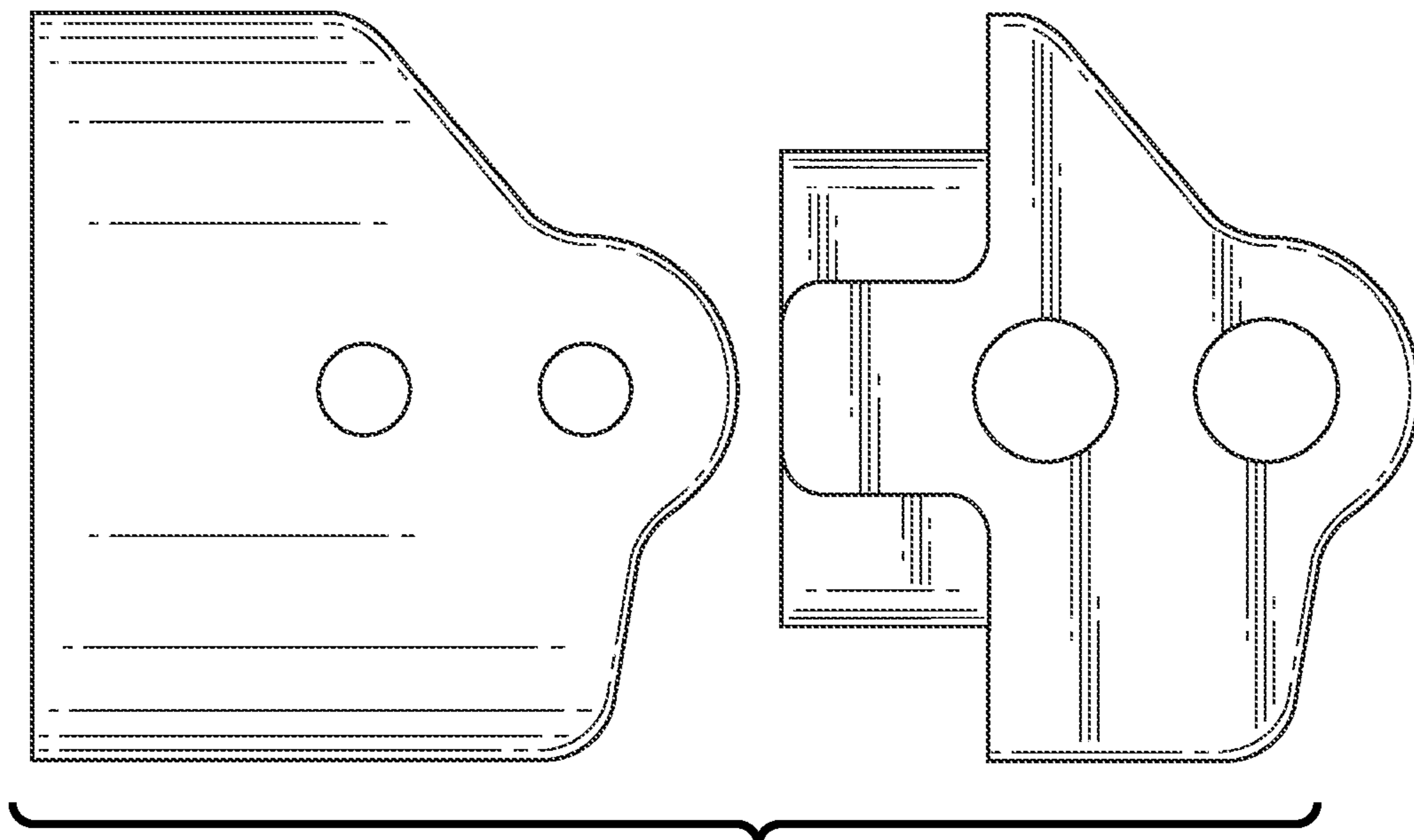


FIG. 4

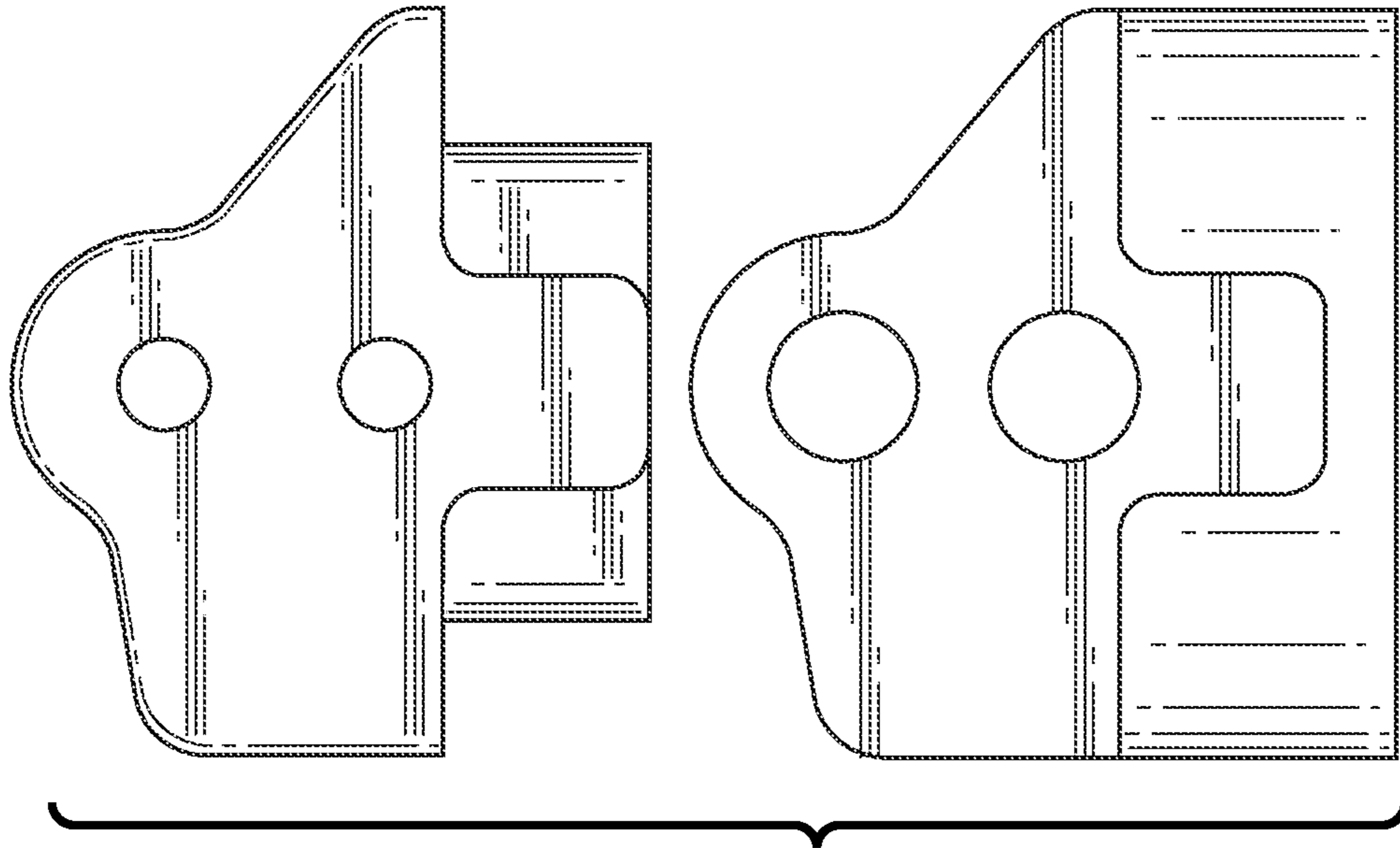


FIG. 5

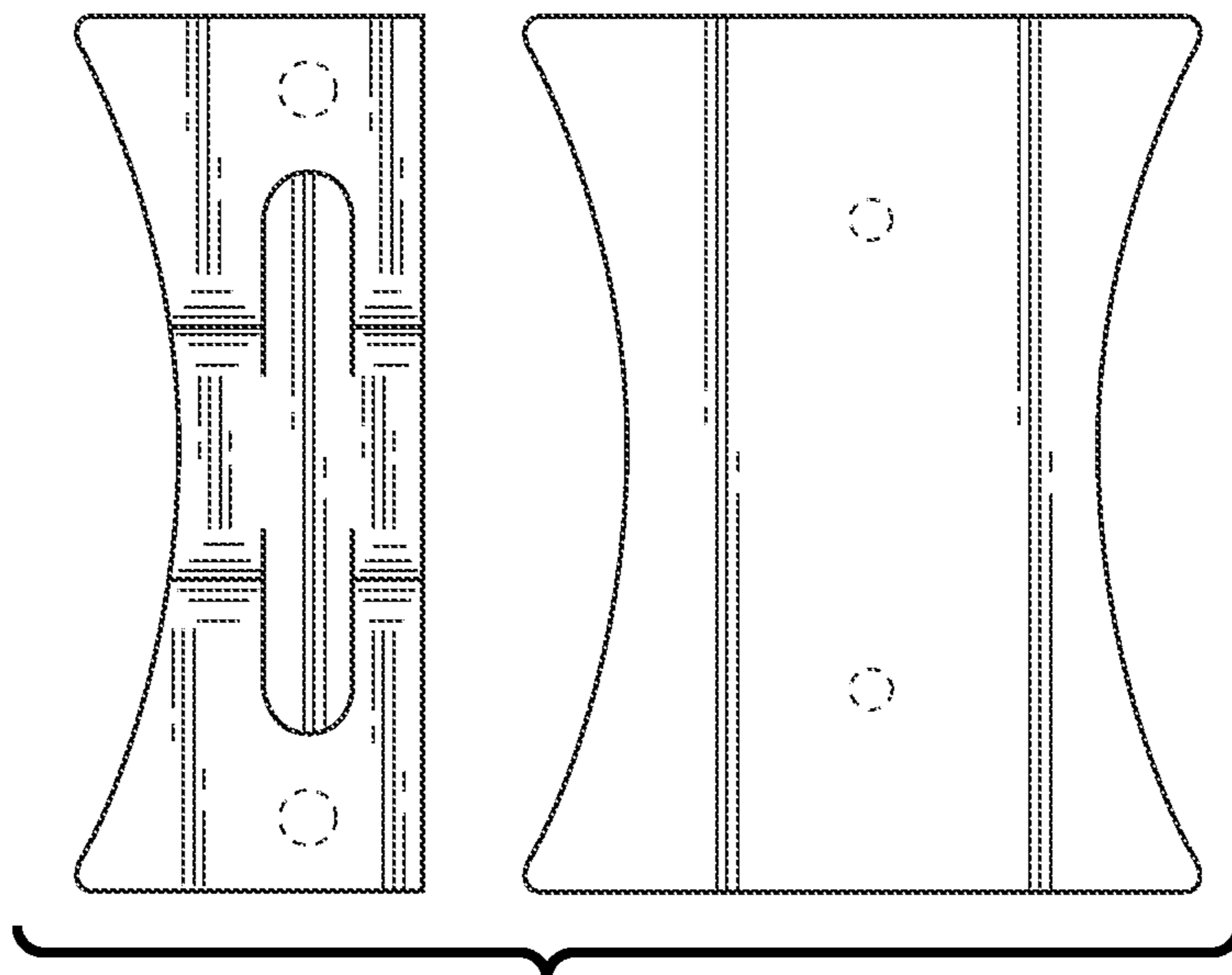


FIG. 6

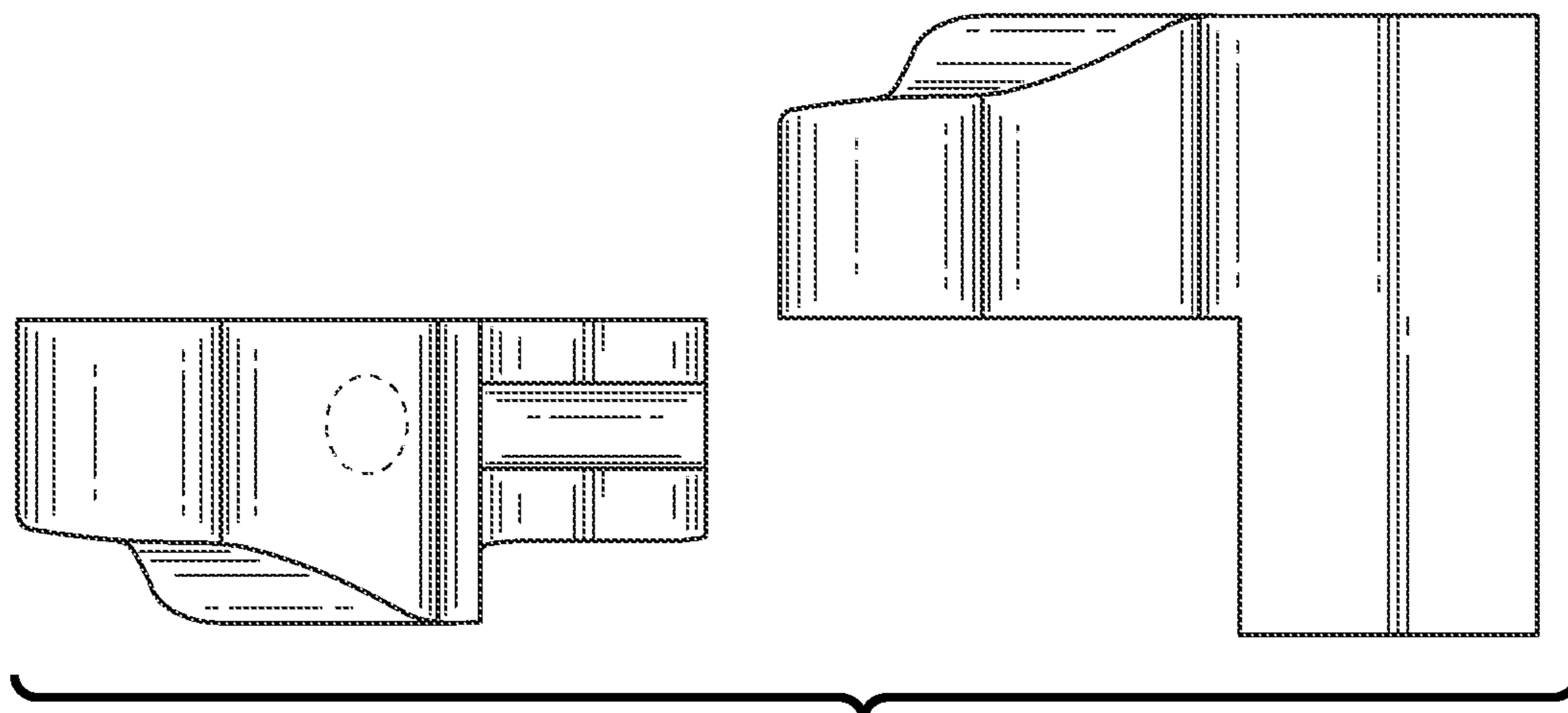


FIG. 7

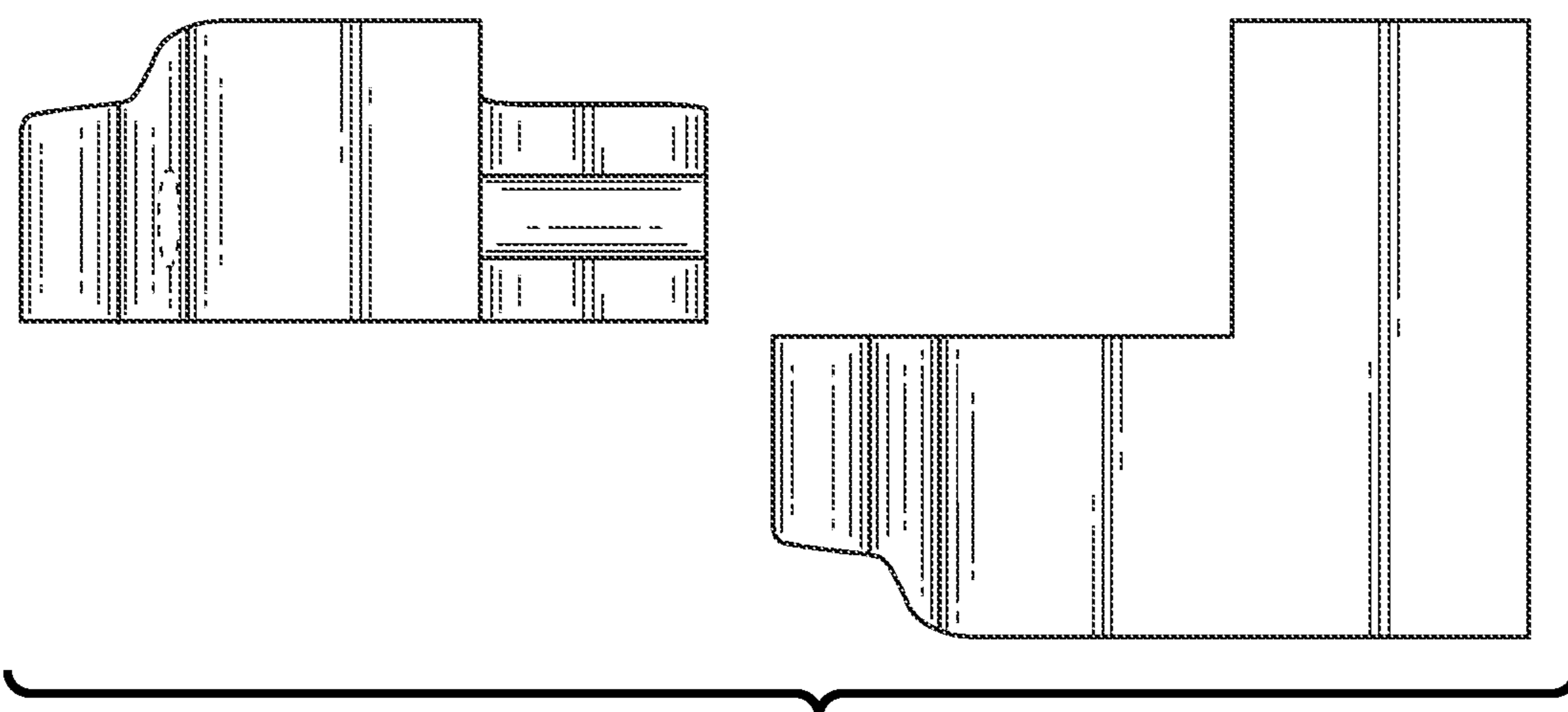


FIG. 8

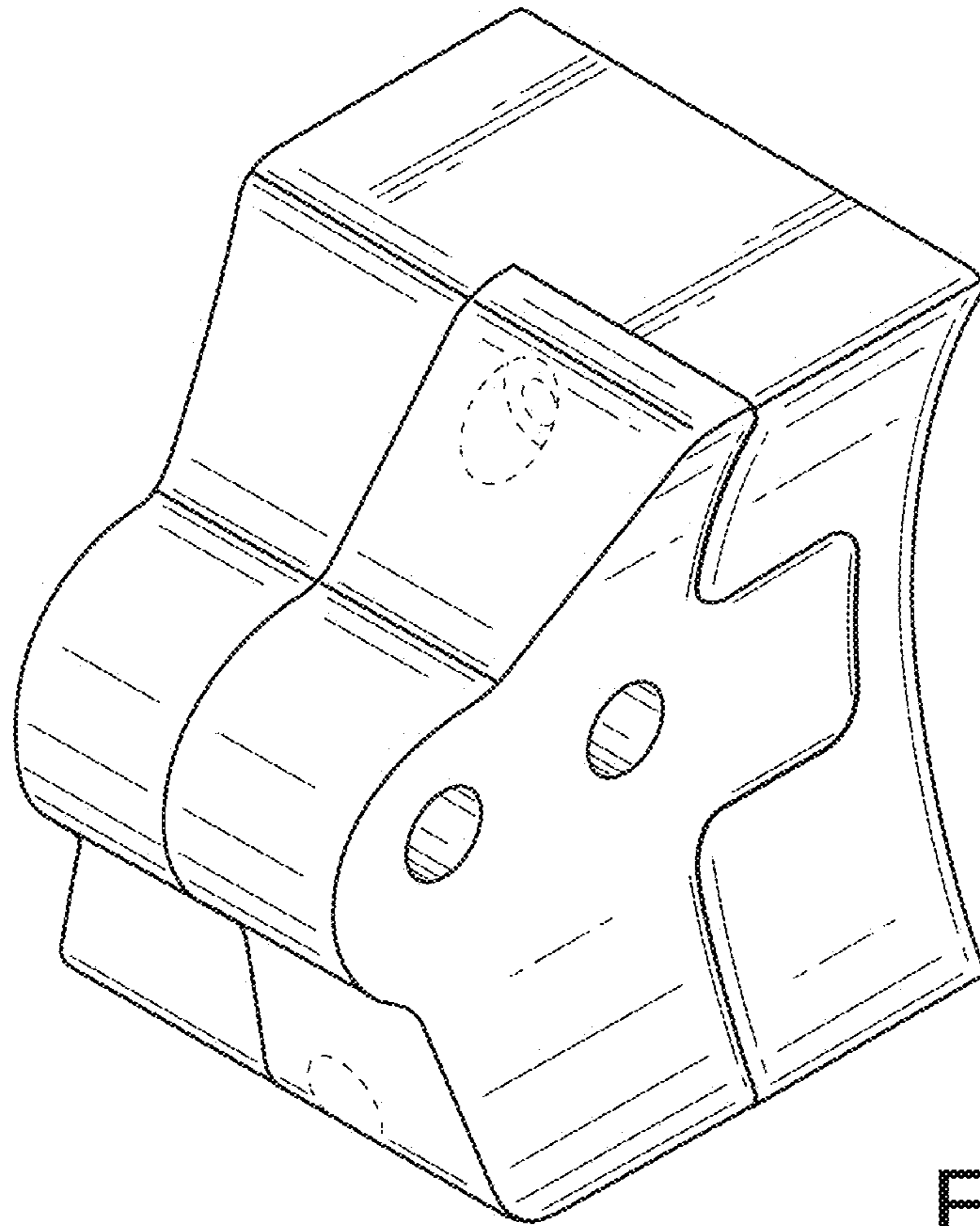


FIG. 9

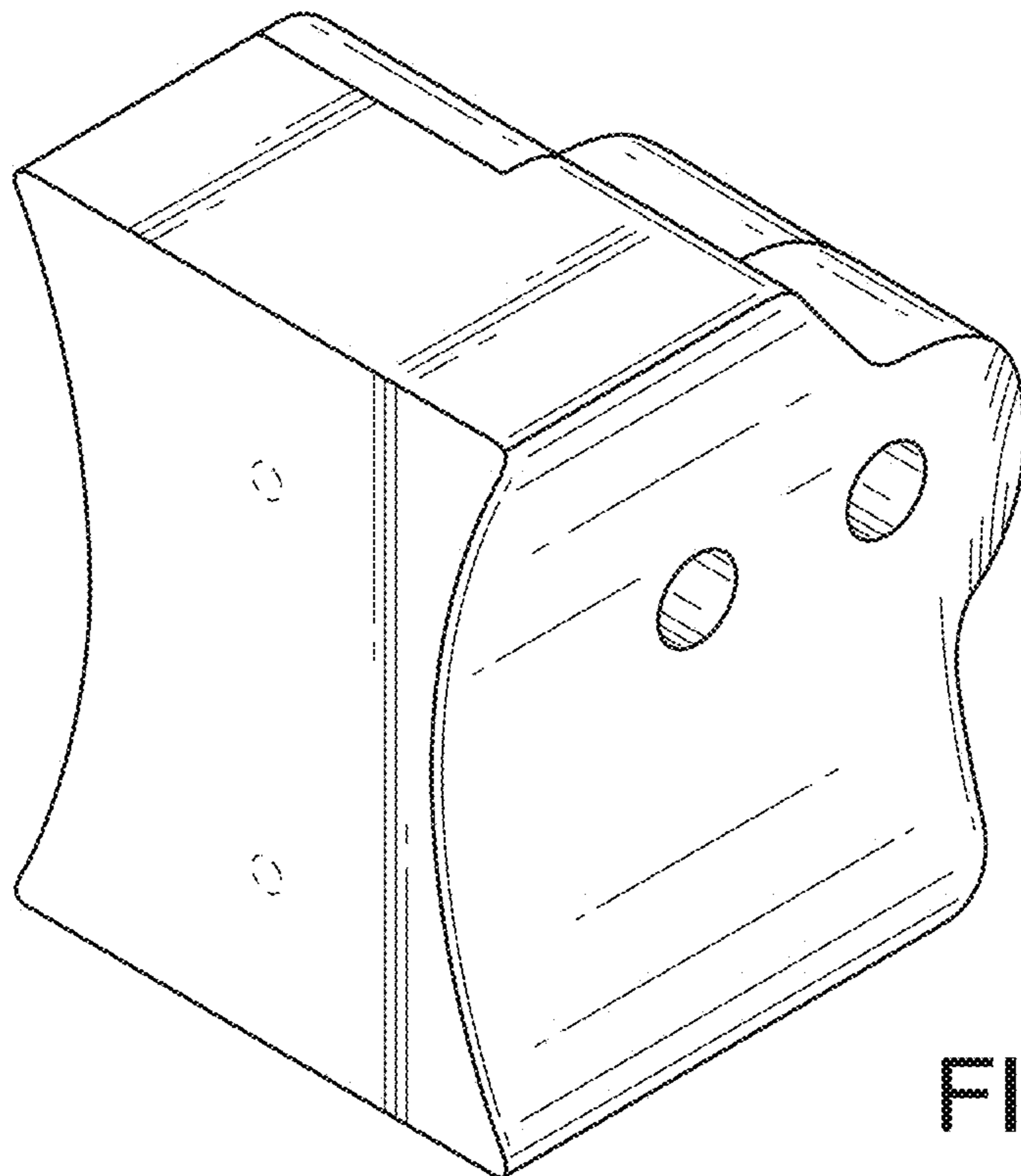


FIG. 10