



US00D918698S

(12) **United States Design Patent** (10) **Patent No.:** **US D918,698 S**  
**Man** (45) **Date of Patent:** **\*\* May 11, 2021**

(54) **STICKY HOOK**

(71) Applicant: **Yan Man**, Henan (CN)

(72) Inventor: **Yan Man**, Henan (CN)

(\*\*) Term: **15 Years**

(21) Appl. No.: **29/758,526**

(22) Filed: **Nov. 16, 2020**

(51) **LOC (13) Cl.** ..... **08-05**

(52) **U.S. Cl.**  
USPC ..... **D8/367**

(58) **Field of Classification Search**  
USPC ..... D8/367, 354, 349, 373; D6/323;  
248/301-304, 339  
CPC ..... A47G 1/00; A47G 25/00  
See application file for complete search history.

(56) **References Cited**

U.S. PATENT DOCUMENTS

- 2,679,998 A \* 6/1954 Keller ..... F16B 47/003  
248/205.3
- 2,765,998 A \* 10/1956 Engert ..... A47G 1/17  
248/467
- D212,553 S \* 10/1968 Hekman ..... D8/367
- 3,637,181 A \* 1/1972 Janssen ..... A47G 1/17  
248/205.3
- 4,003,538 A \* 1/1977 Frye ..... B32B 27/304  
248/544
- 4,756,498 A \* 7/1988 Frye ..... A47G 1/17  
248/205.3
- 5,121,896 A \* 6/1992 Frye ..... F16B 47/003  
248/205.3
- D327,641 S \* 7/1992 Hoskinson ..... D8/367

- D356,941 S \* 4/1995 Reddick ..... D8/367
- D374,602 S \* 10/1996 Protz, Jr. .... D8/367
- D658,029 S \* 4/2012 Fulkerson ..... D8/307
- D670,997 S \* 11/2012 Thompson ..... D8/367
- D734,133 S 7/2015 Spindler
- D761,093 S \* 7/2016 Liu ..... D8/367
- D811,201 S \* 2/2018 Berger ..... D8/367
- D811,862 S \* 3/2018 Berger ..... D8/367
- D812,454 S \* 3/2018 Berger ..... D8/367
- D818,353 S \* 5/2018 Sacks ..... D8/367
- D821,184 S \* 6/2018 Berger ..... D8/367
- D842,083 S \* 3/2019 Thompson ..... D8/367
- D864,697 S \* 10/2019 Gnocchini ..... D8/367
- D864,700 S 10/2019 Chen
- D867,771 S \* 11/2019 Zhong ..... D6/323
- D879,596 S \* 3/2020 Li ..... D8/367

\* cited by examiner

*Primary Examiner* — Cynthia R Underwood

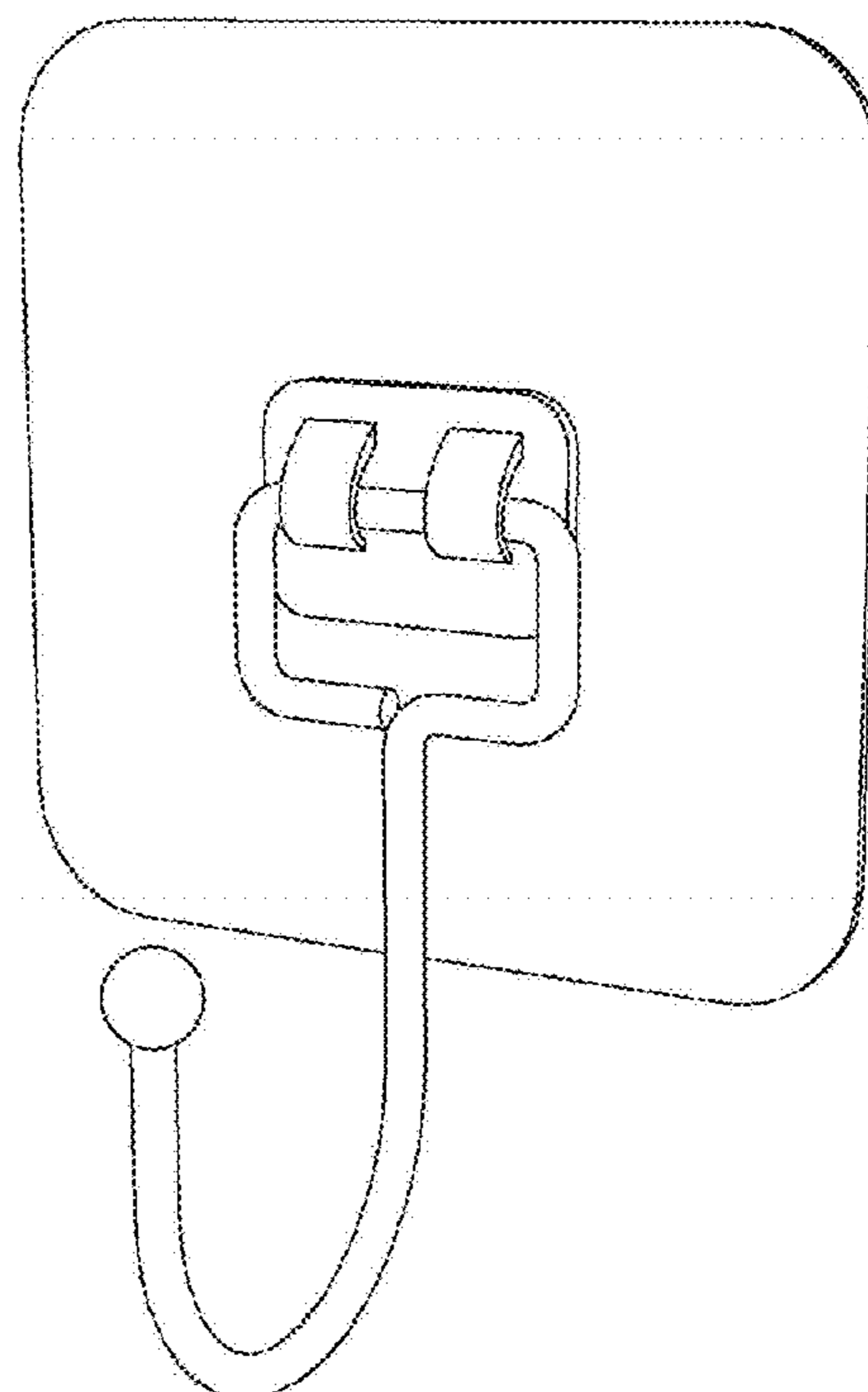
(57) **CLAIM**

The ornamental design for a sticky hook, as shown and described.

**DESCRIPTION**

FIG. 1 is a perspective view of a sticky hook showing my/our new design;  
FIG. 2 is a front view thereof;  
FIG. 3 is a back view thereof;  
FIG. 4 is a left side view thereof;  
FIG. 5 is a right side view thereof;  
FIG. 6 is a top view thereof; and,  
FIG. 7 is a bottom view thereof.  
The broken lines in the drawing depict environmental subject matter only and form no part of the claimed design.

**1 Claim, 7 Drawing Sheets**



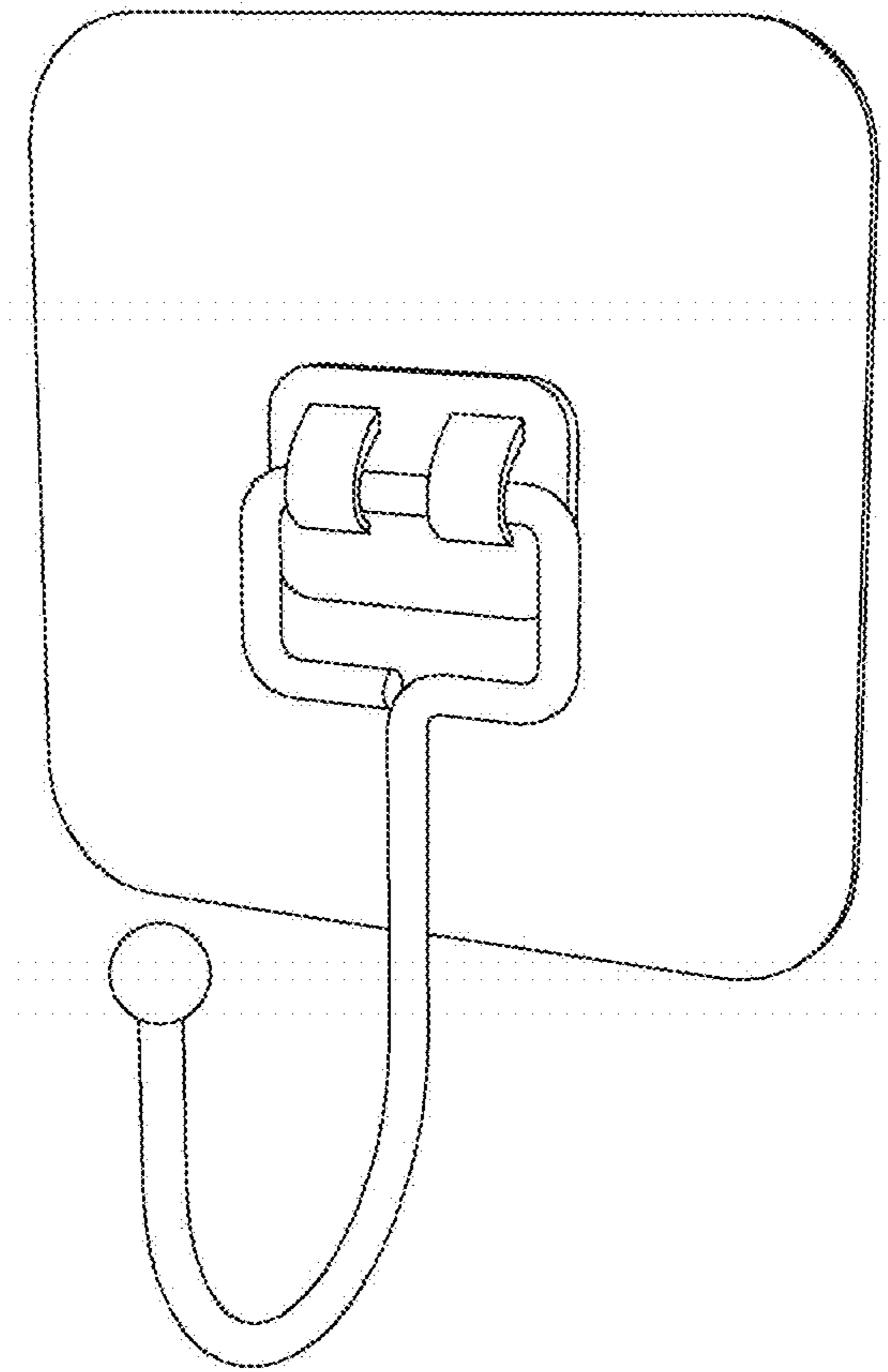


FIG1

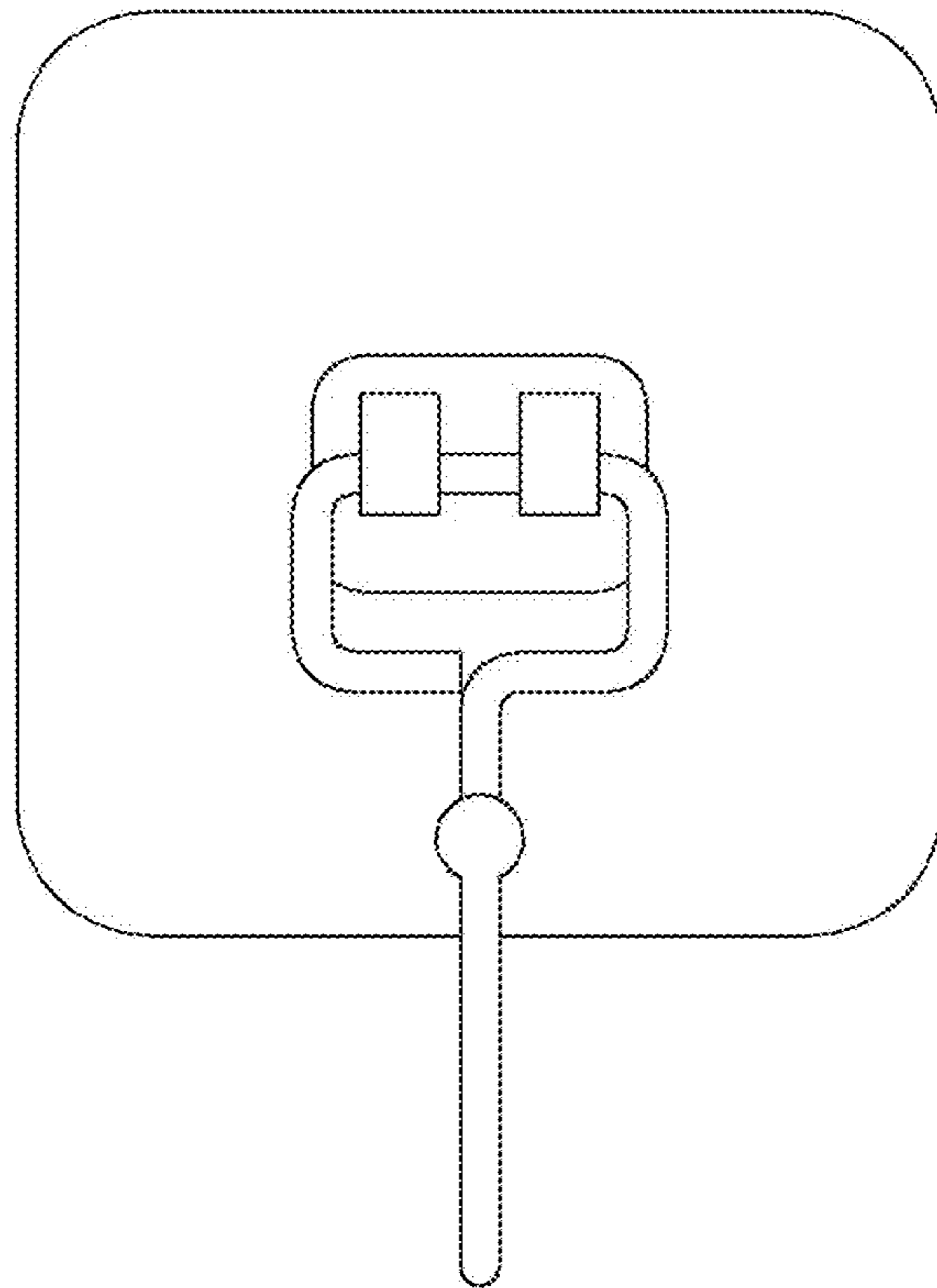


FIG 2

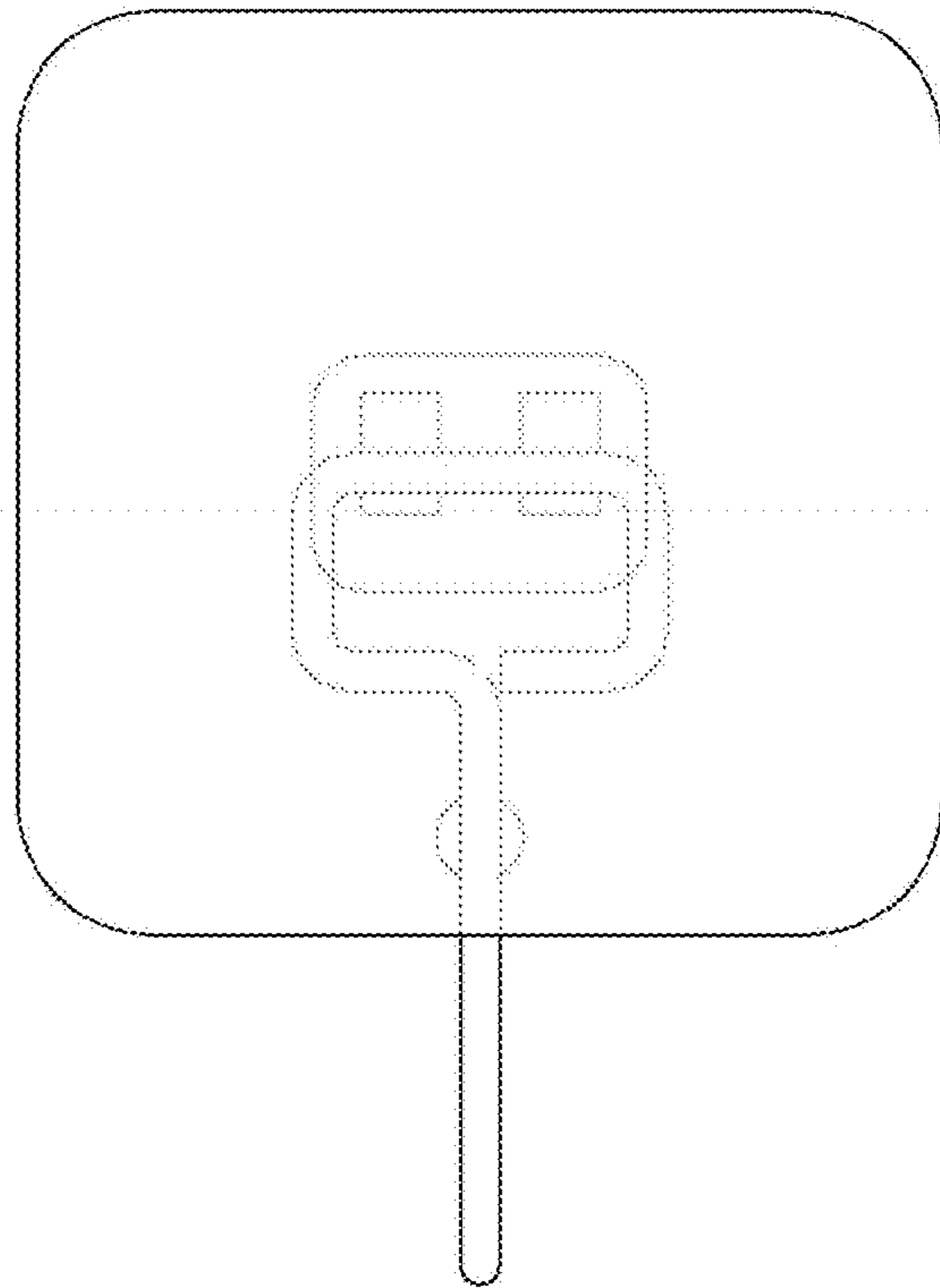


FIG 3

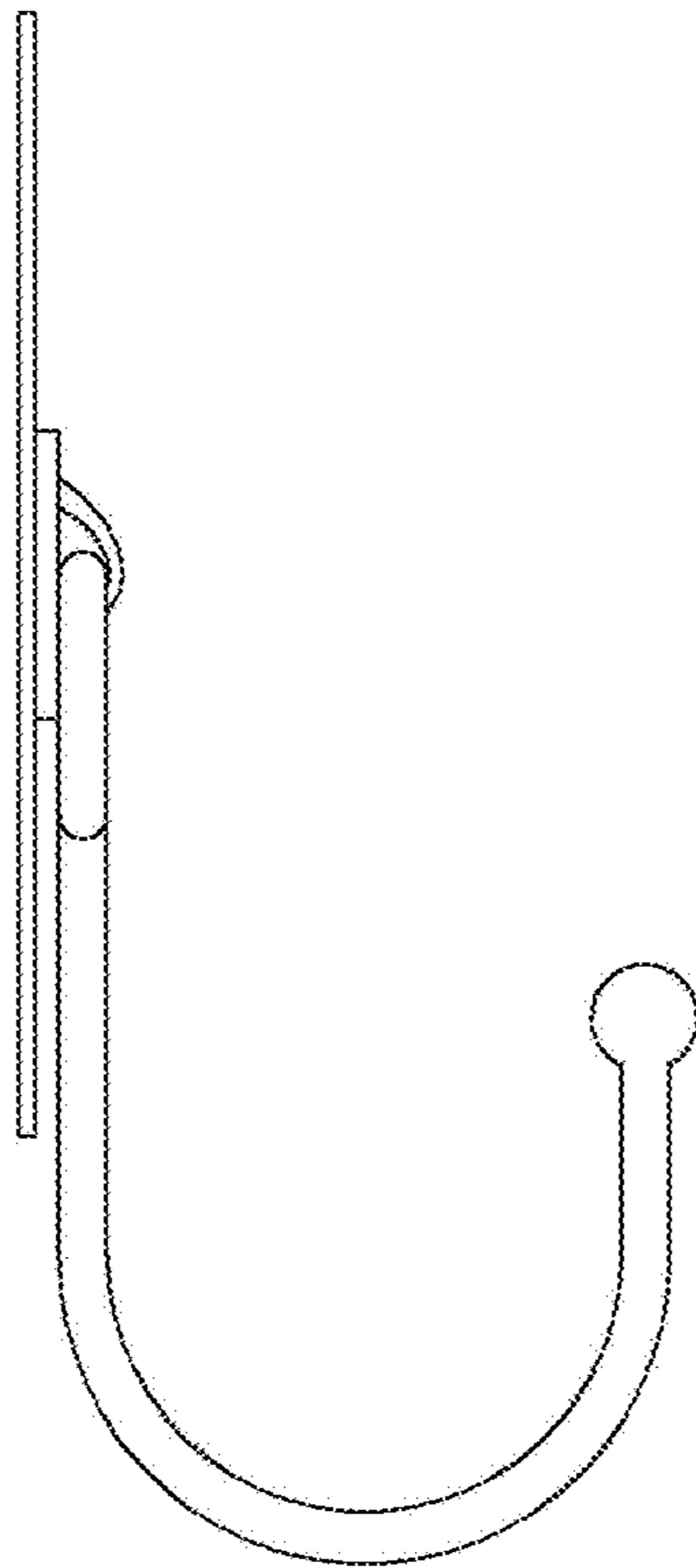


FIG 4

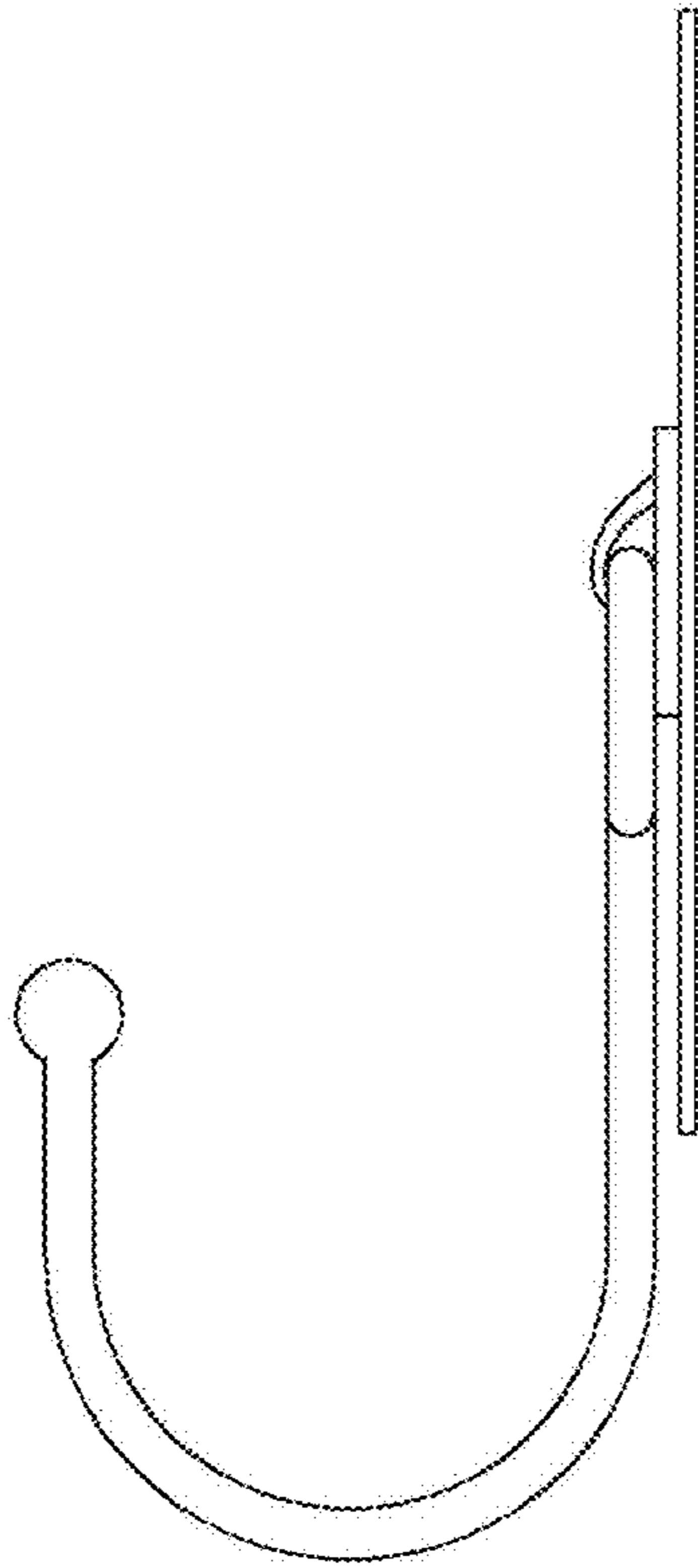


FIG 5

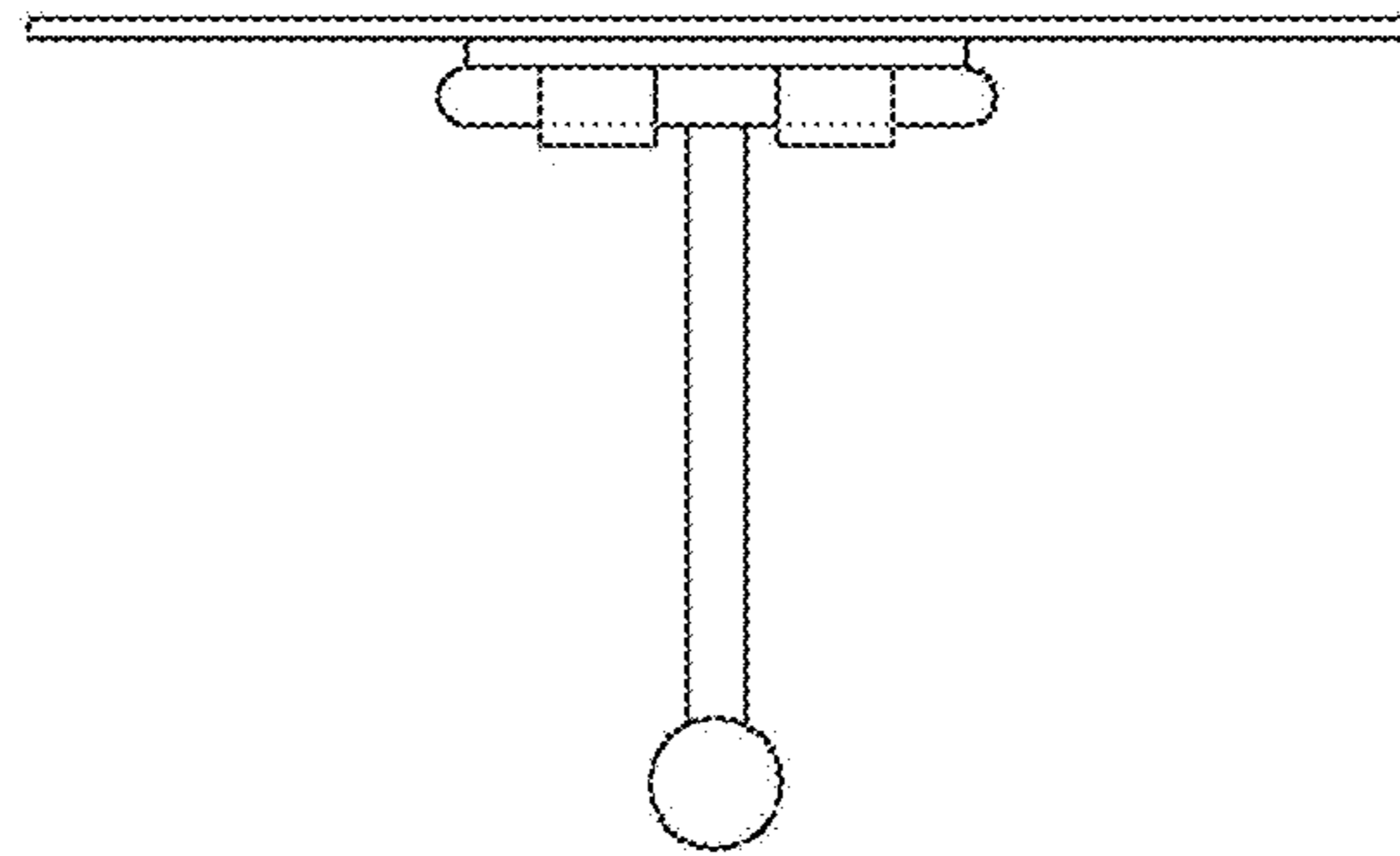


FIG 6

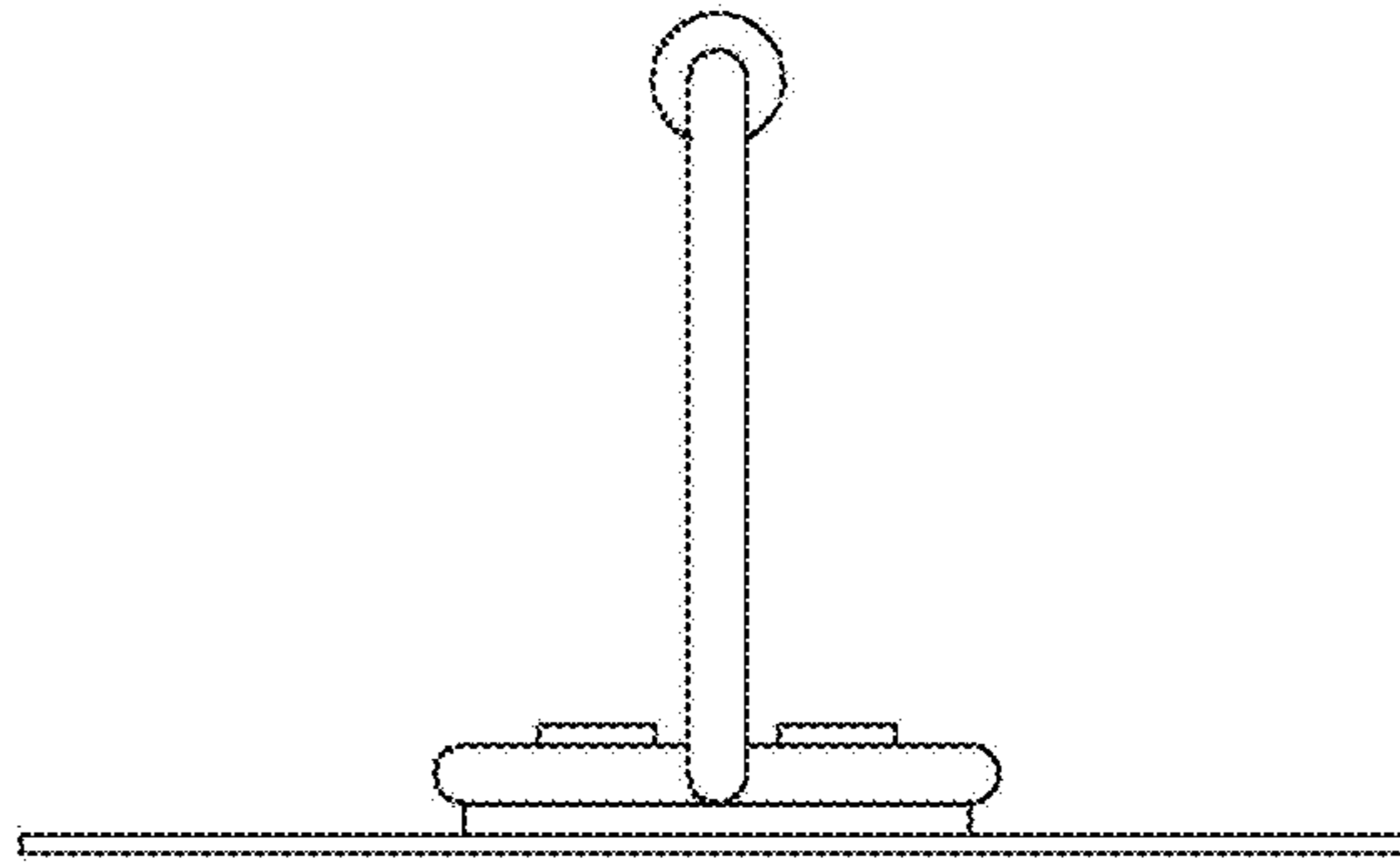


FIG 7