



US00D918695S

(12) **United States Design Patent** (10) **Patent No.:** **US D918,695 S**
Orban et al. (45) **Date of Patent:** **** May 11, 2021**

(54) **KEY**

(71) Applicant: **CASCADES CANADA ULC**,
Montreal (CA)

(72) Inventors: **Benoit Orban**, Saint-Lambert (CA);
Gabrielle Poirier, Longueuil (CA);
Richard Paré, Boucherville (CA)

(73) Assignee: **CASCADES CANADA ULC**,
Montreal (CA)

(**) Term: **15 Years**

(21) Appl. No.: **29/758,666**

(22) Filed: **Nov. 17, 2020**

Related U.S. Application Data

(62) Division of application No. 29/662,586, filed on Sep. 6, 2018, now Pat. No. Des. 906,090.

Foreign Application Priority Data

May 31, 2018 (CA) 181706

(51) **LOC (13) Cl.** **08-07**

(52) **U.S. Cl.**
USPC **D8/347**

(58) **Field of Classification Search**
USPC D8/347
CPC E05B 35/001; E05B 35/008; E05B 19/00;
E05B 19/0017; E05B 19/0041; E05B
19/0047; E05B 27/02

See application file for complete search history.

(56)

References Cited

U.S. PATENT DOCUMENTS

D253,160 S	10/1979	Steinbach	
D350,062 S	8/1994	Hoffman et al.	
D575,137 S	8/2008	Stansberry et al.	
D602,340 S *	10/2009	Wurdack	D8/330
D623,042 S *	9/2010	Ranshaw	D8/347
9,097,035 B2	8/2015	Litwinski	
9,435,140 B2	9/2016	Chen	
D825,314 S	8/2018	Wild et al.	
10,287,803 B2	5/2019	Reime	
10,358,842 B2	7/2019	Wehr	
10,703,252 B2	7/2020	Westfall	

* cited by examiner

Primary Examiner — Doris Clark

(74) *Attorney, Agent, or Firm* — Marshall, Gerstein & Borun LLP

(57)

CLAIM

The ornamental design for a key, as shown and described.

DESCRIPTION

FIG. 1 is a perspective view of a key;
 FIG. 2 is a front elevation view of the key shown in FIG. 1, the rear elevation view being identical;
 FIG. 3 is a right-side elevation view of the key shown in FIG. 1, the left-side being a mirror image thereof;
 FIG. 4 is top plan view of the key shown in FIG. 1; and,
 FIG. 5 is bottom plan view of the key shown in FIG. 1.
 The broken lines in the drawings represent portions of the key that do not form part of the claimed design.

1 Claim, 4 Drawing Sheets

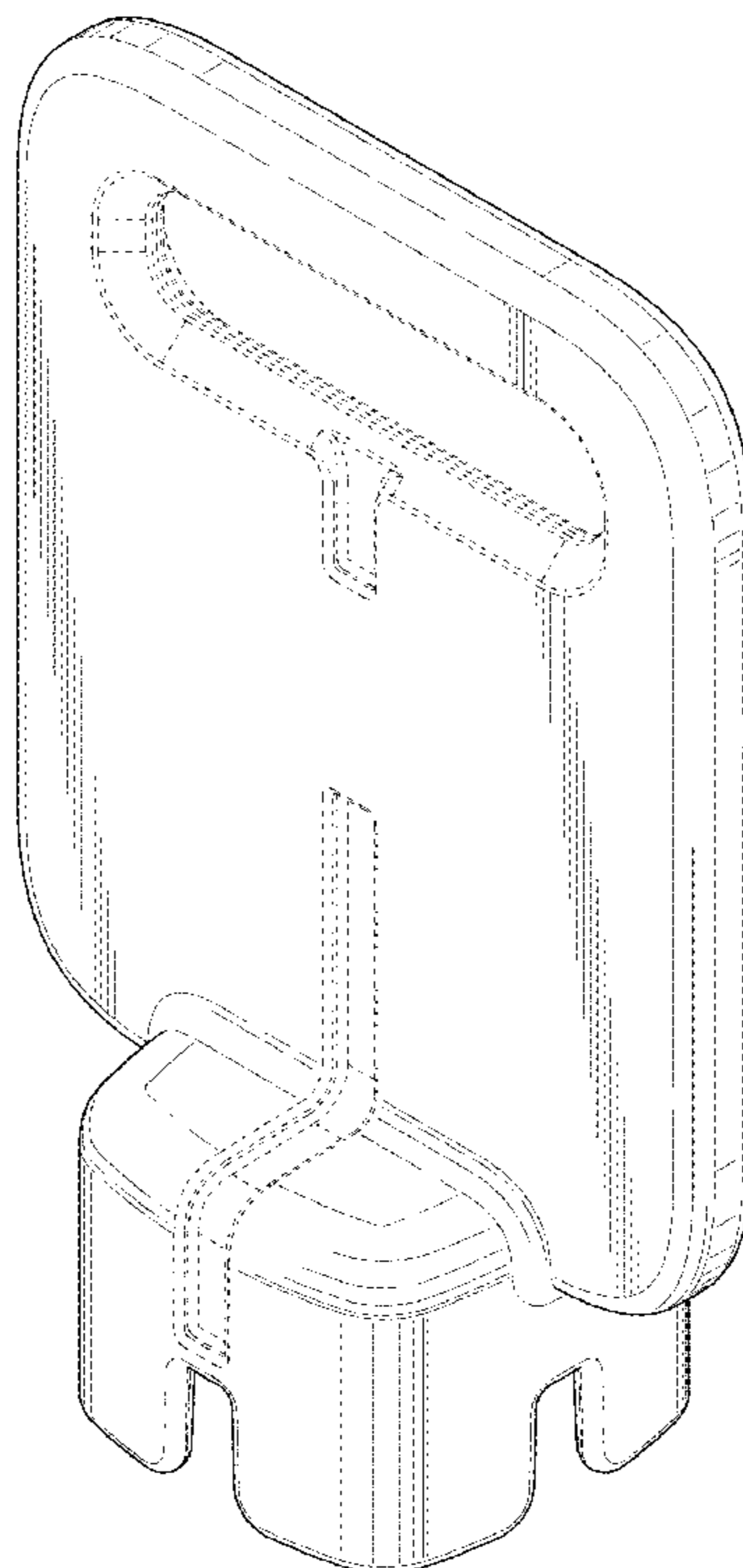




FIG. 1

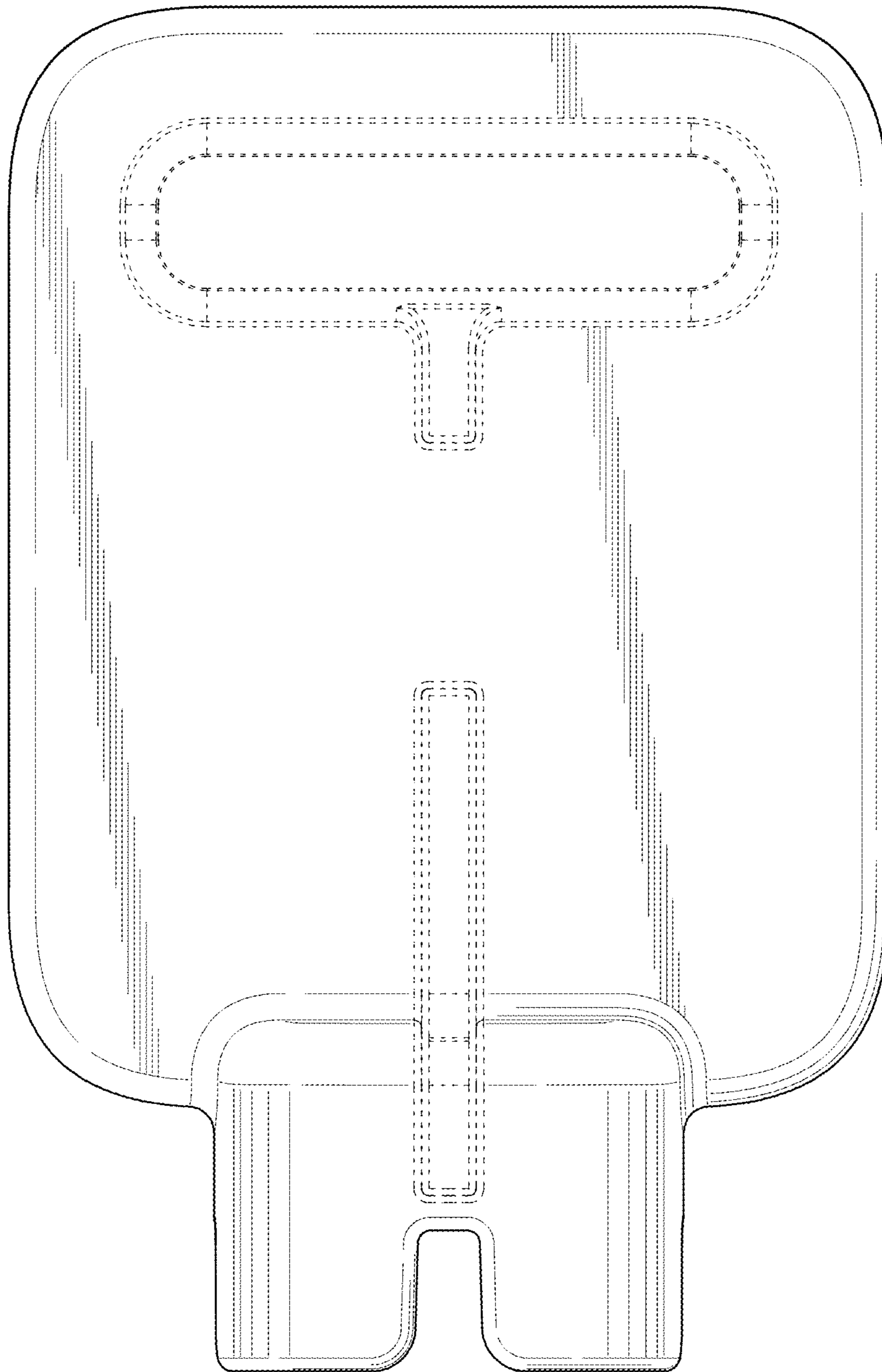


FIG. 2

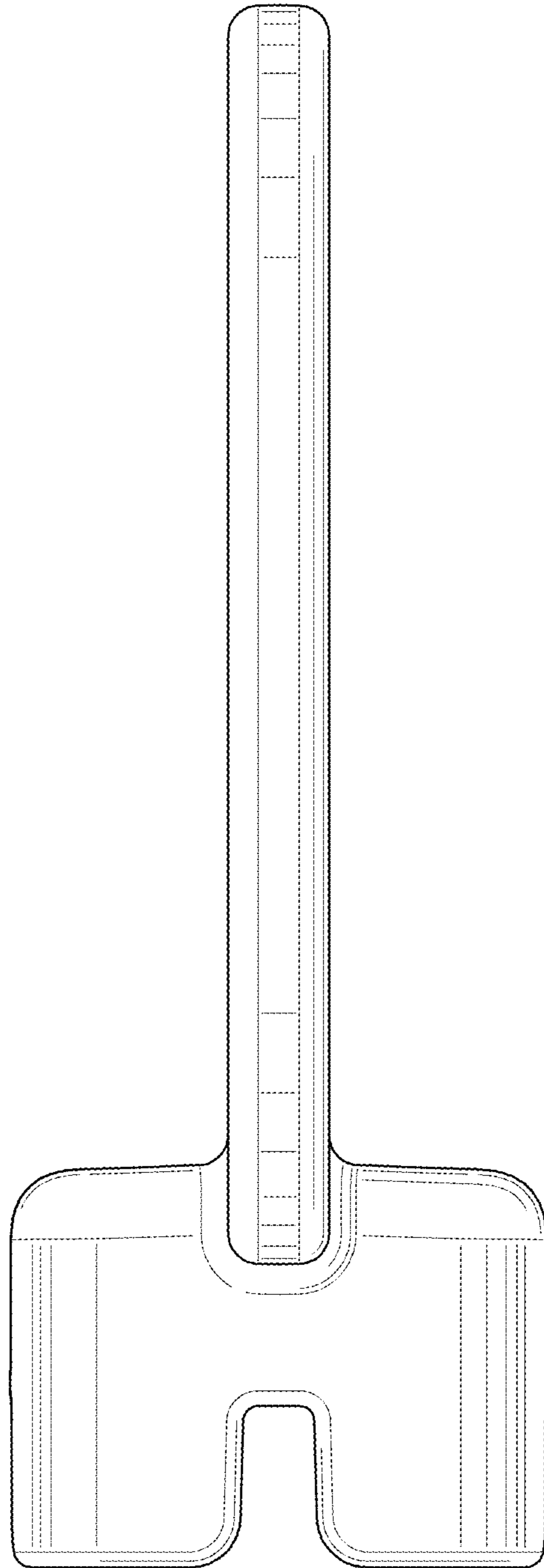


FIG. 3

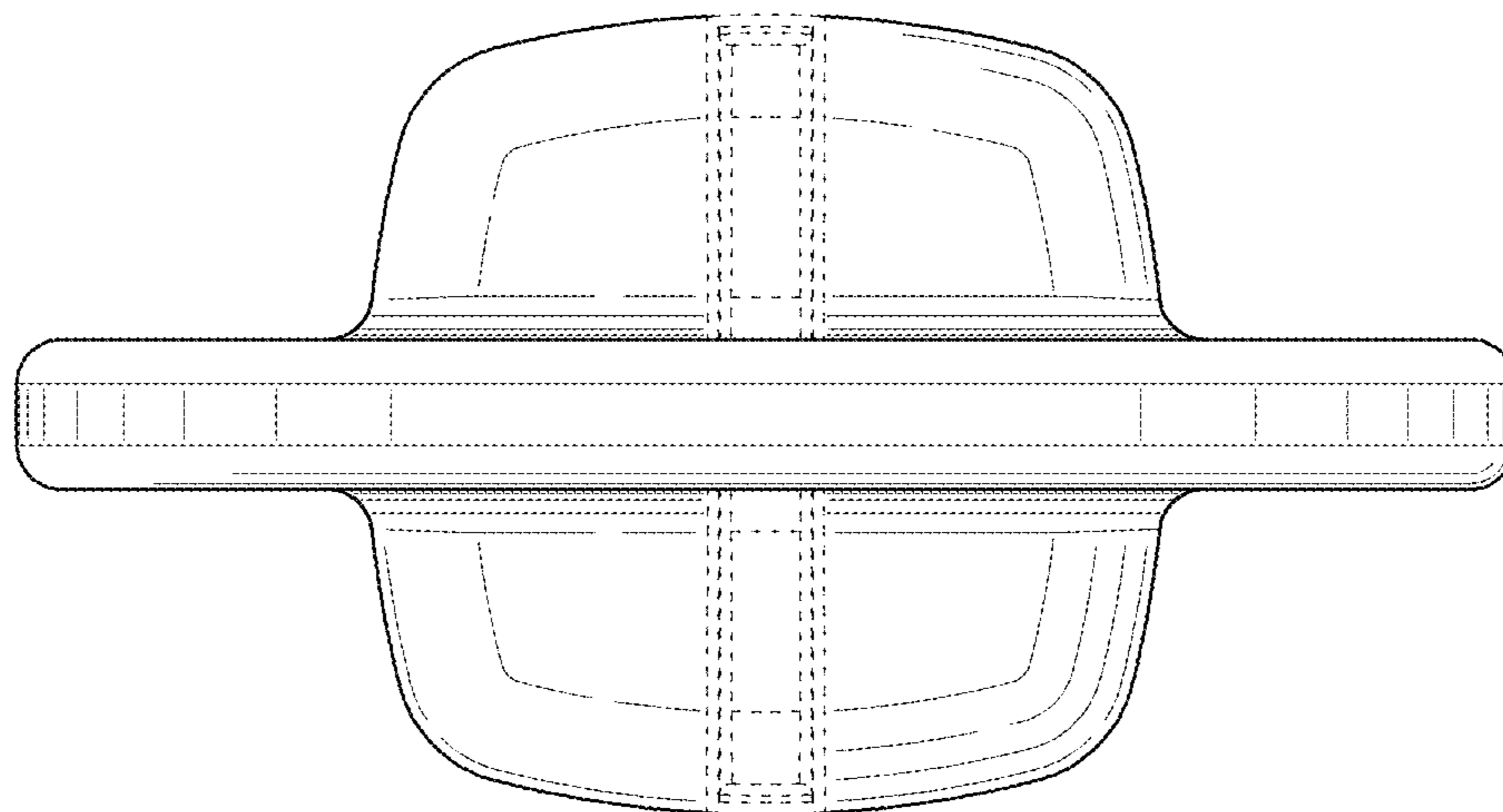


FIG. 4

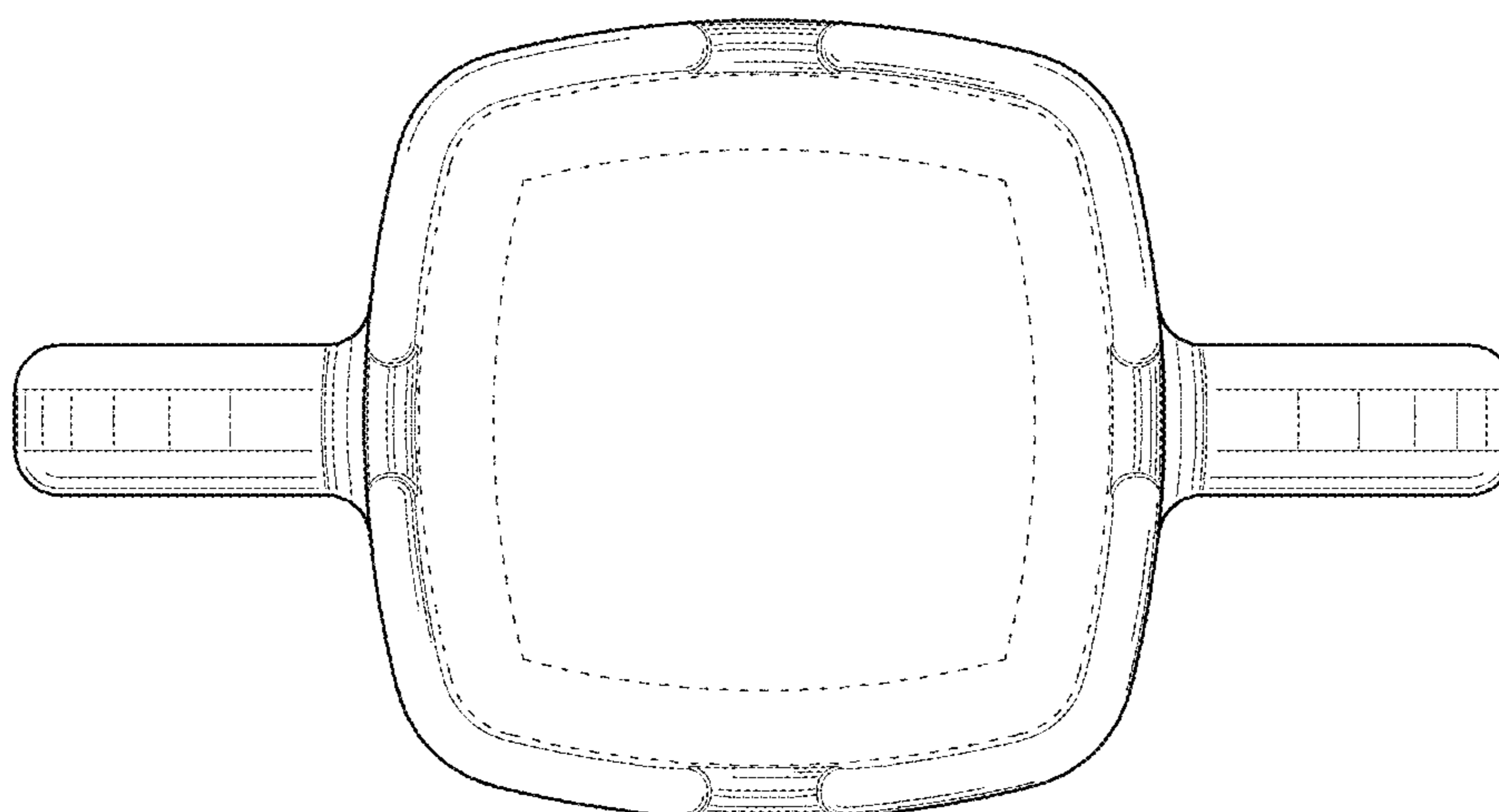


FIG. 5