



US00D918686S

(12) **United States Design Patent** (10) **Patent No.:** **US D918,686 S**
Hochstrasser (45) **Date of Patent:** **** May 11, 2021**

- (54) **STAPLE DRIVING TOOL**
- (71) Applicant: **Signode Industrial Group LLC**,
Glenview, IL (US)
- (72) Inventor: **Samuel Hochstrasser**, Fällanden (CH)
- (73) Assignee: **Signode Industrial Group LLC**,
Glenview, IL (US)
- (**) Term: **15 Years**
- (21) Appl. No.: **29/753,929**
- (22) Filed: **Oct. 5, 2020**

Related U.S. Application Data

- (63) Continuation of application No. 29/721,099, filed on Jan. 17, 2020, now Pat. No. Des. 897,799, which is a continuation of application No. 29/623,739, filed on Oct. 26, 2017, now Pat. No. Des. 873,106.

(30) **Foreign Application Priority Data**

May 3, 2017 (DE) 40 2017 000 628.2

(51) **LOC (13) Cl.** **08-05**

(52) **U.S. Cl.**
USPC **D8/68; D8/49**

(58) **Field of Classification Search**

USPC D8/61-70; 173/2, 13, 46, 109, 110, 114,
173/170, 178, 198, 214, 217; 227/8, 113,
227/114, 120, 130, 136, 142; 408/20, 35,
408/58, 67, 117, 124, 125, 234, 241 R;
429/92; 318/139; 362/119

CPC B23K 26/382; B23K 37/00; B23K 37/02;
B23K 26/1482; B23K 26/20; B23K
26/36; B23K 26/0648; B23K 26/00;
B23K 26/0066; B23K 26/043; B23K
26/064; B23K 26/38; B23Q 3/155; G02B
7/14

See application file for complete search history.

(56) **References Cited**

U.S. PATENT DOCUMENTS

3,809,307 A * 5/1974 Wandel B25C 1/008
227/8
D479,110 S * 9/2003 Nolan D8/68
7,413,103 B1 * 8/2008 Ho B25C 1/008
227/120

(Continued)

Primary Examiner — Austin Murphy

(74) *Attorney, Agent, or Firm* — K&L Gates LLP

(57) **CLAIM**

The ornamental design for a staple driving tool, as shown and described herein.

DESCRIPTION

FIG. 1 is a top front perspective view of a staple driving tool of one embodiment of my new design.

FIG. 2 is a bottom front perspective view of the staple driving tool of my new design illustrated in FIG. 1.

FIG. 3 is a top rear perspective view of the staple driving tool of my new design illustrated in FIG. 1.

FIG. 4 is a bottom rear perspective view of the staple driving tool of my new design illustrated in FIG. 1.

FIG. 5 is a front view of the staple driving tool of my new design illustrated in FIG. 1.

FIG. 6 is a rear view of the staple driving tool of my new design illustrated in FIG. 1.

FIG. 7 is a left side view of the staple driving tool of my new design illustrated in FIG. 1.

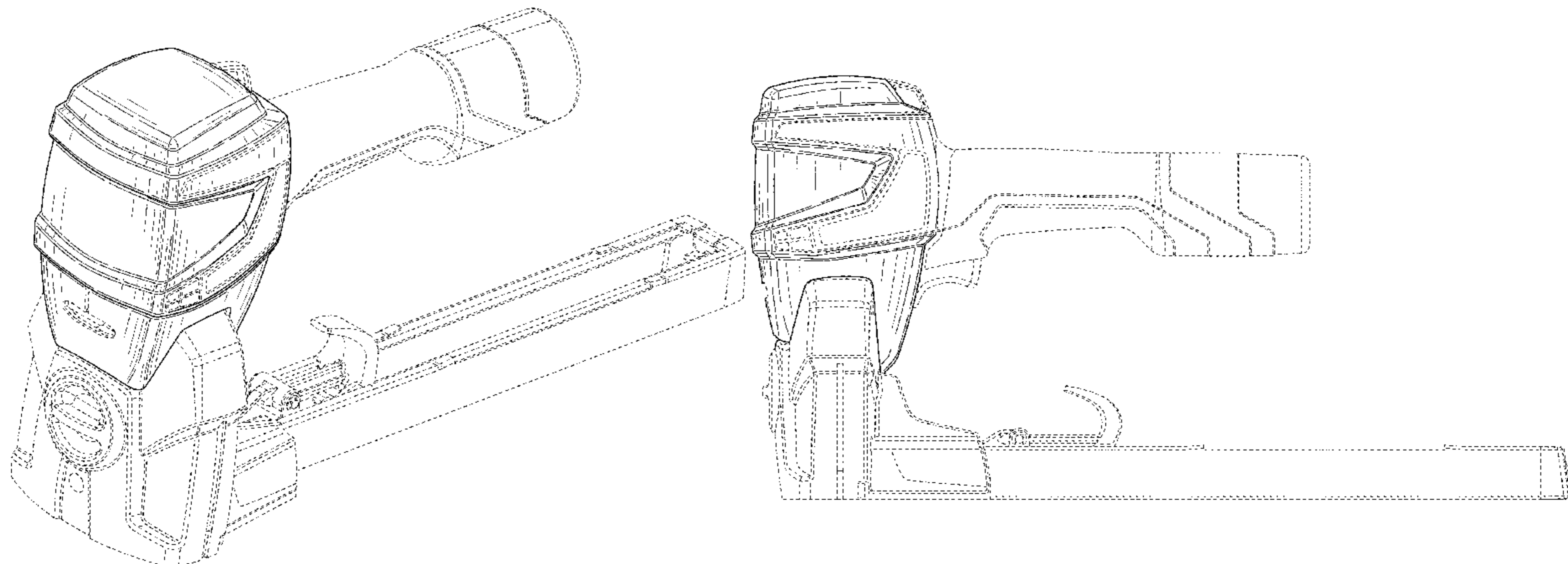
FIG. 8 is a right side view of the staple driving tool of my new design illustrated in FIG. 1.

FIG. 9 is a top view of the staple driving tool of my new design illustrated in FIG. 1; and,

FIG. 10 is a bottom view of the staple driving tool of my new design illustrated in FIG. 1.

The portions shown in phantom is not part of the design sought to be patented and is provided for environmental purposes only.

1 Claim, 10 Drawing Sheets



(56)

References Cited

U.S. PATENT DOCUMENTS

7,494,035 B2 * 2/2009 Weaver B25C 1/04
173/217
D717,625 S * 11/2014 Martone D8/68
D900,575 S * 11/2020 Schwalbach D8/68
2009/0050668 A1 * 2/2009 Jian B25C 5/16
227/126
2016/0229043 A1 * 8/2016 Wyler B25C 1/06
2018/0001455 A1 * 1/2018 Meyer B25C 1/008
2018/0001457 A1 * 1/2018 Jaskot B25C 1/008
2018/0126532 A1 * 5/2018 Pomeroy B25C 1/04
2018/0133877 A1 * 5/2018 Ueda B25F 5/008

* cited by examiner

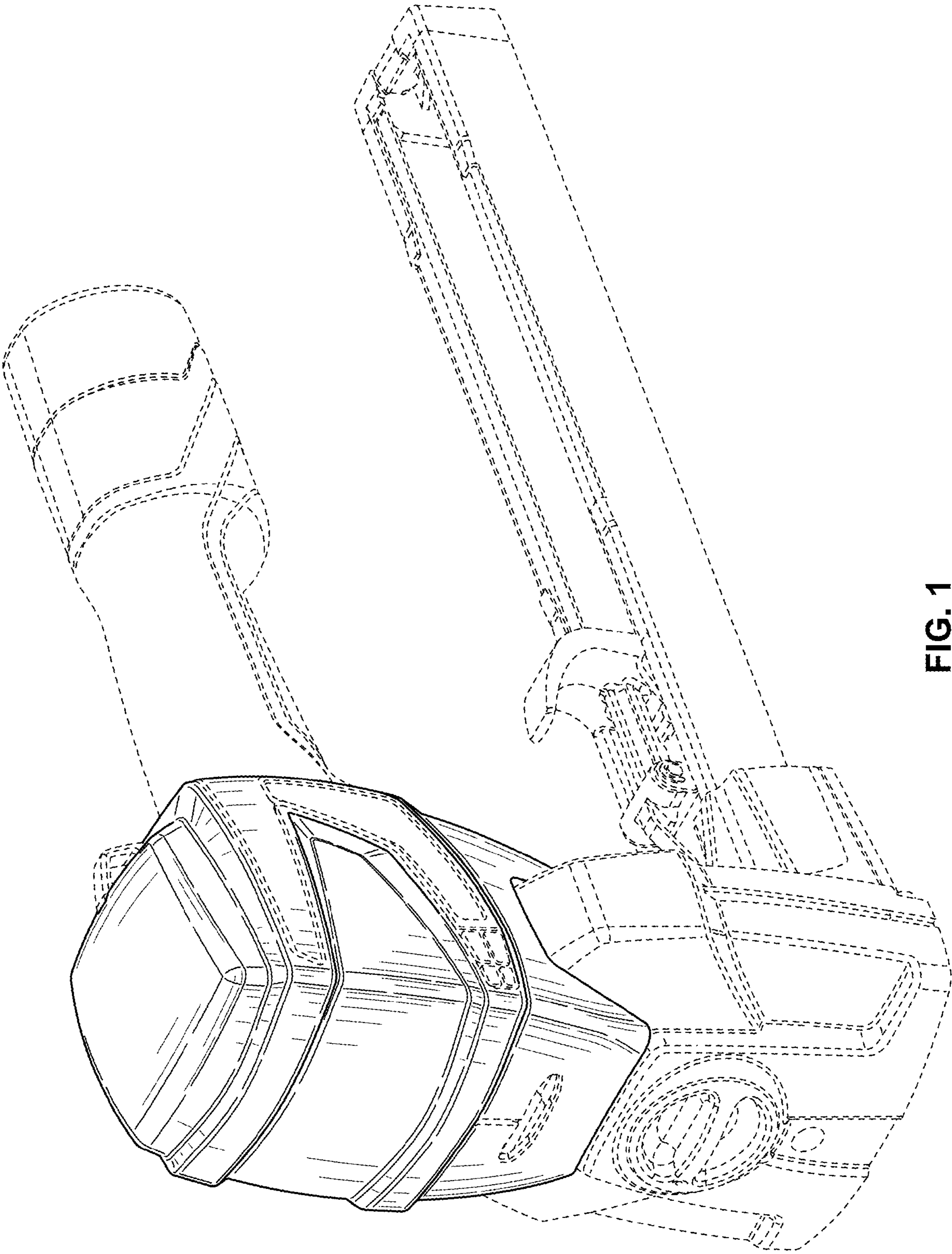


FIG. 1

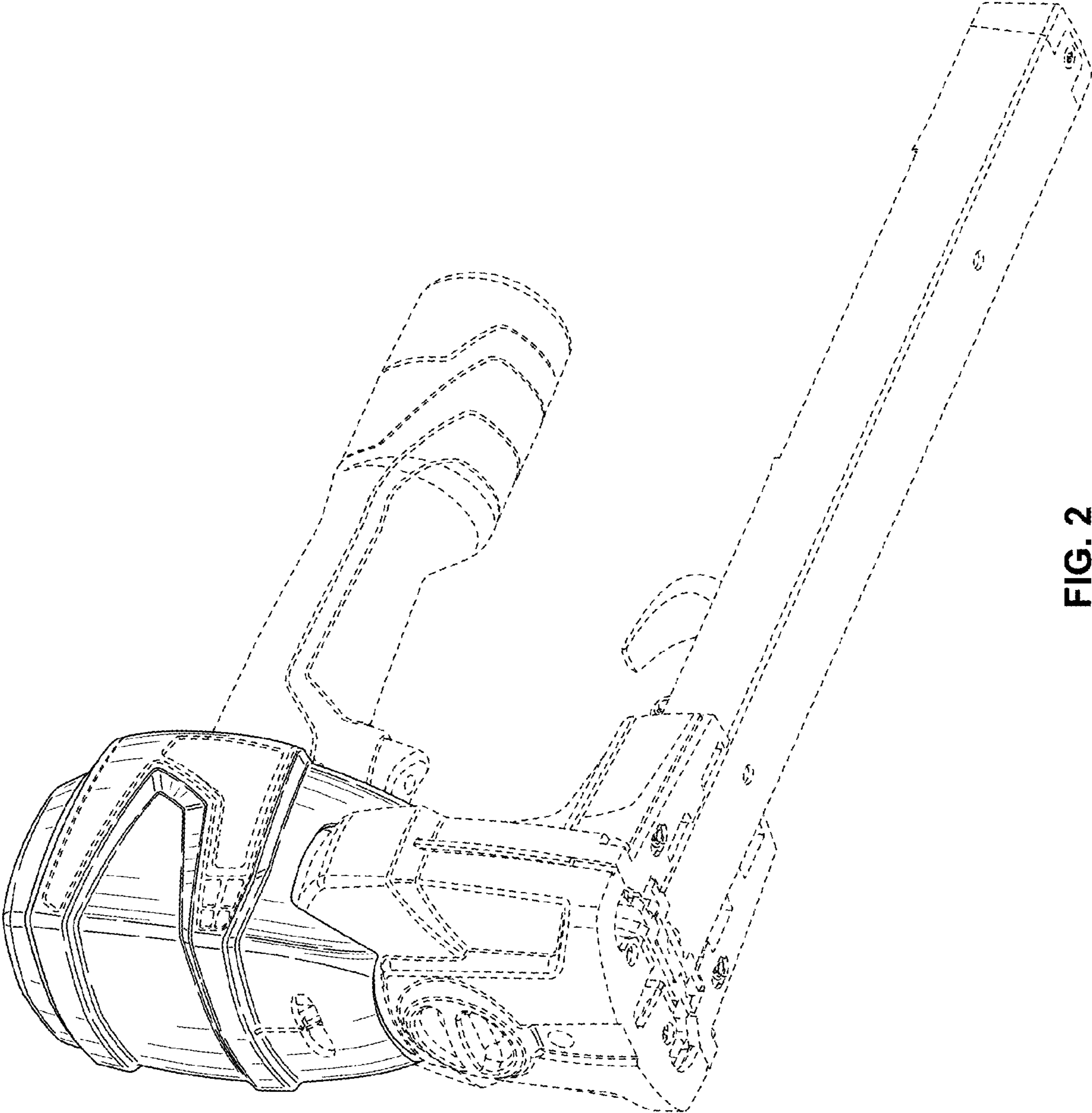


FIG. 2

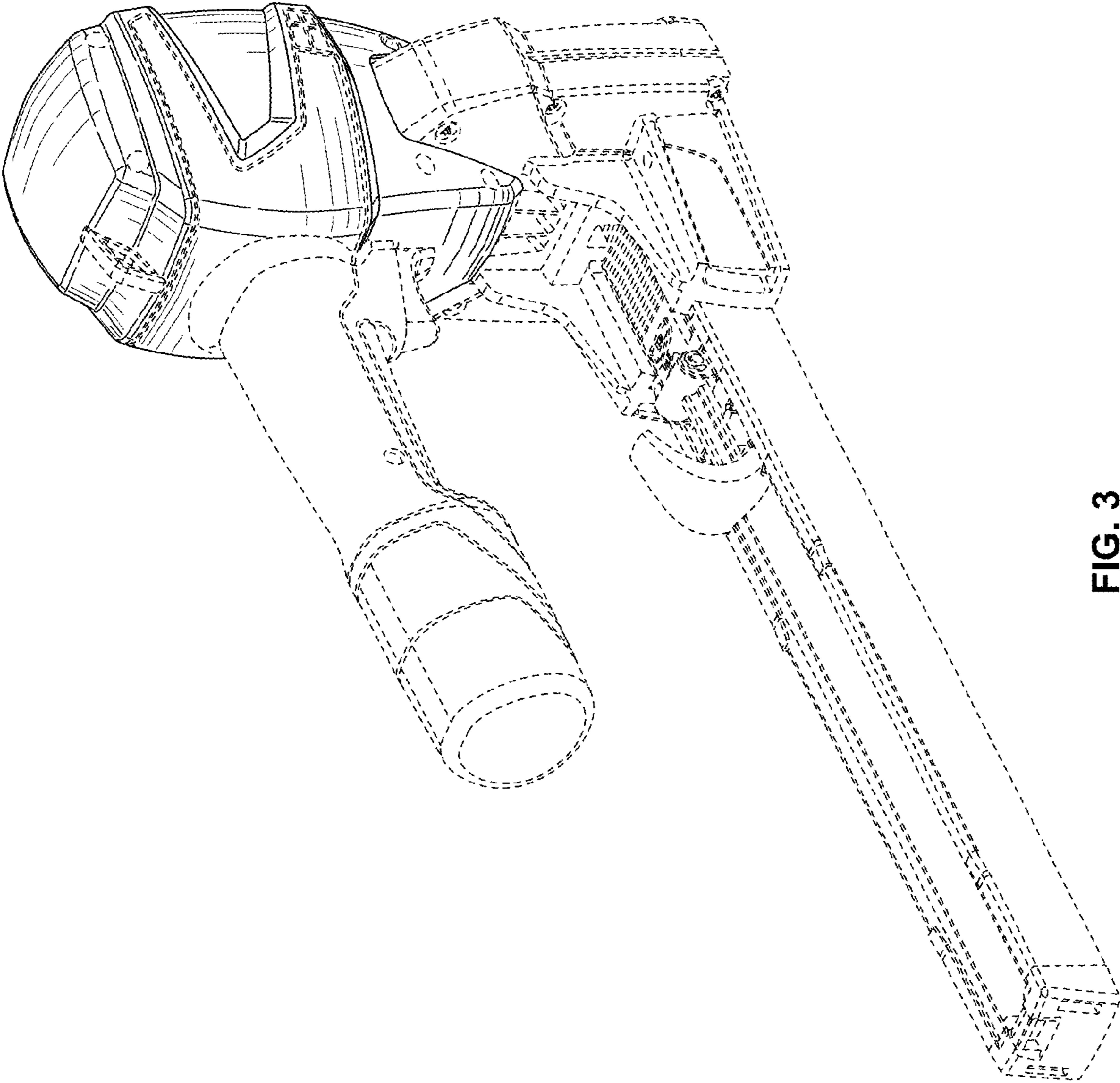


FIG. 3

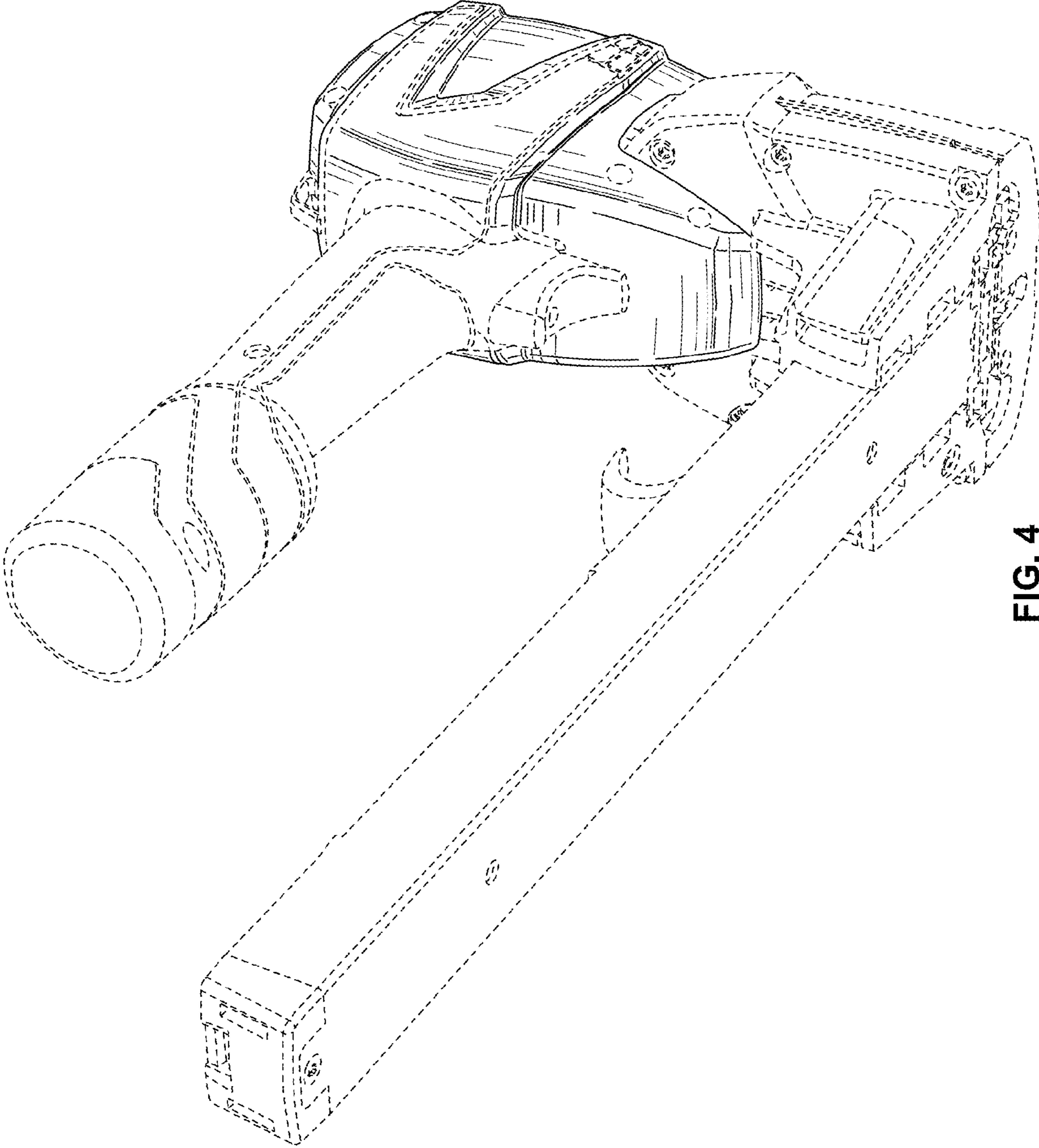


FIG. 4

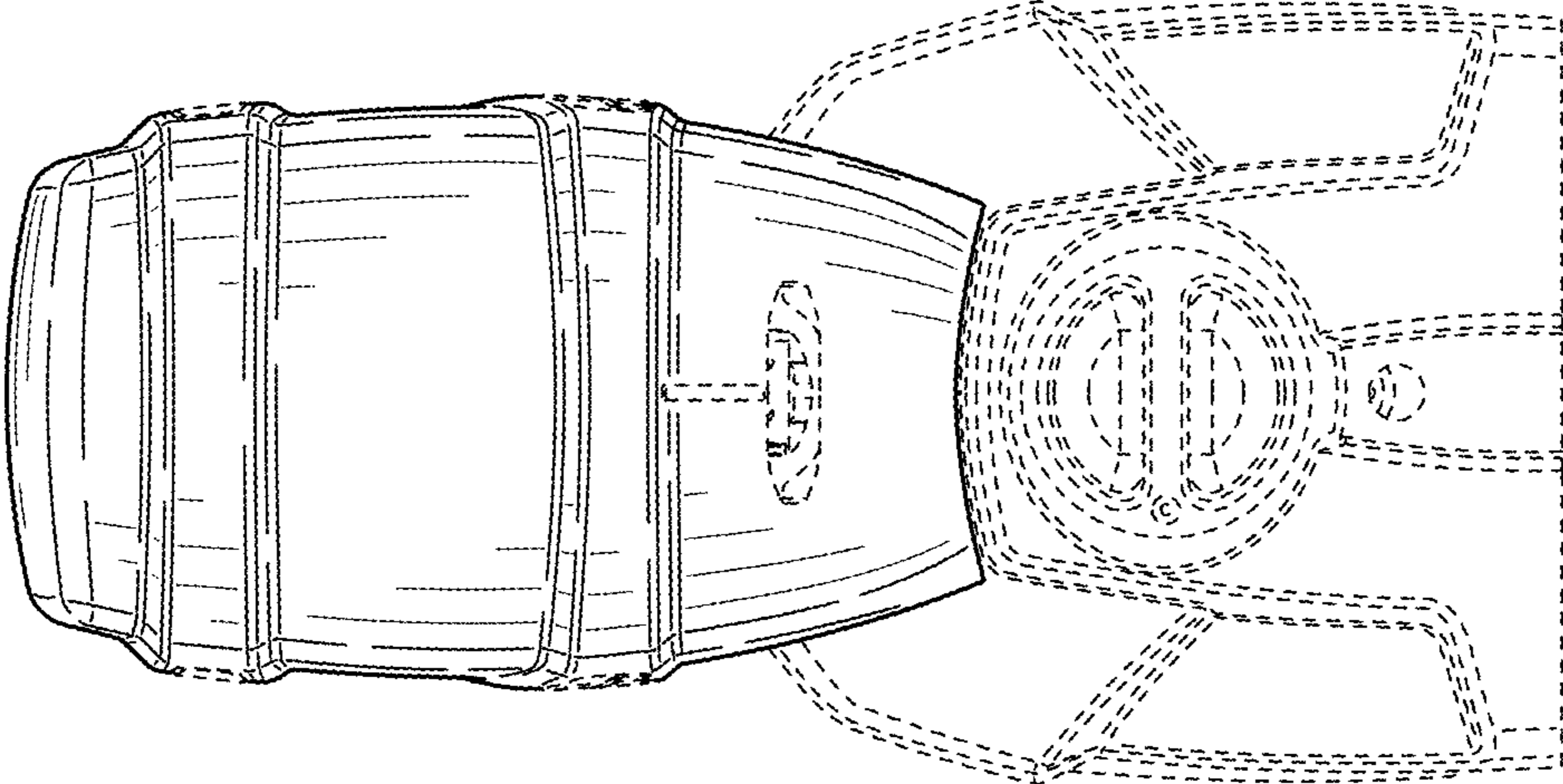


FIG. 5

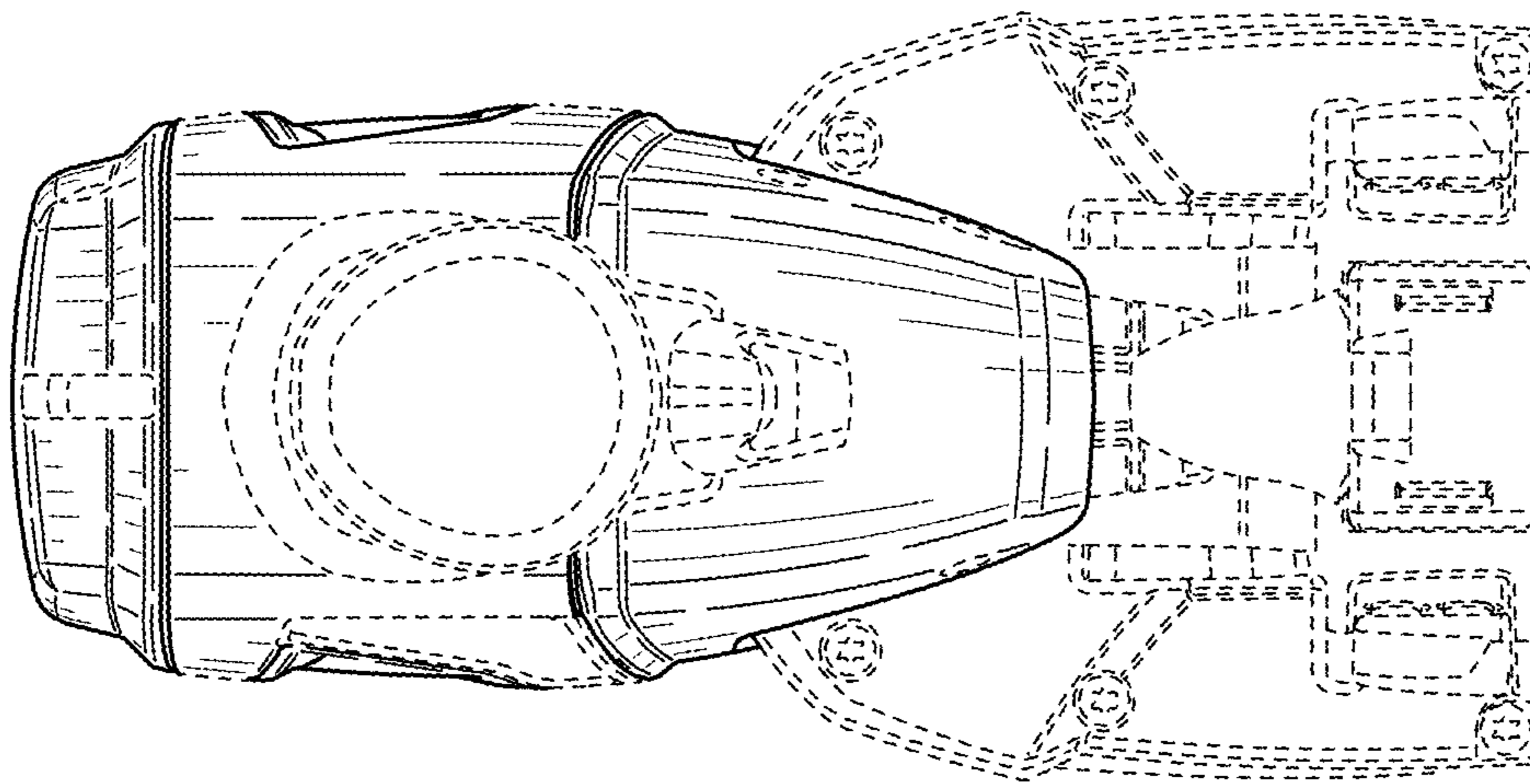


FIG. 6

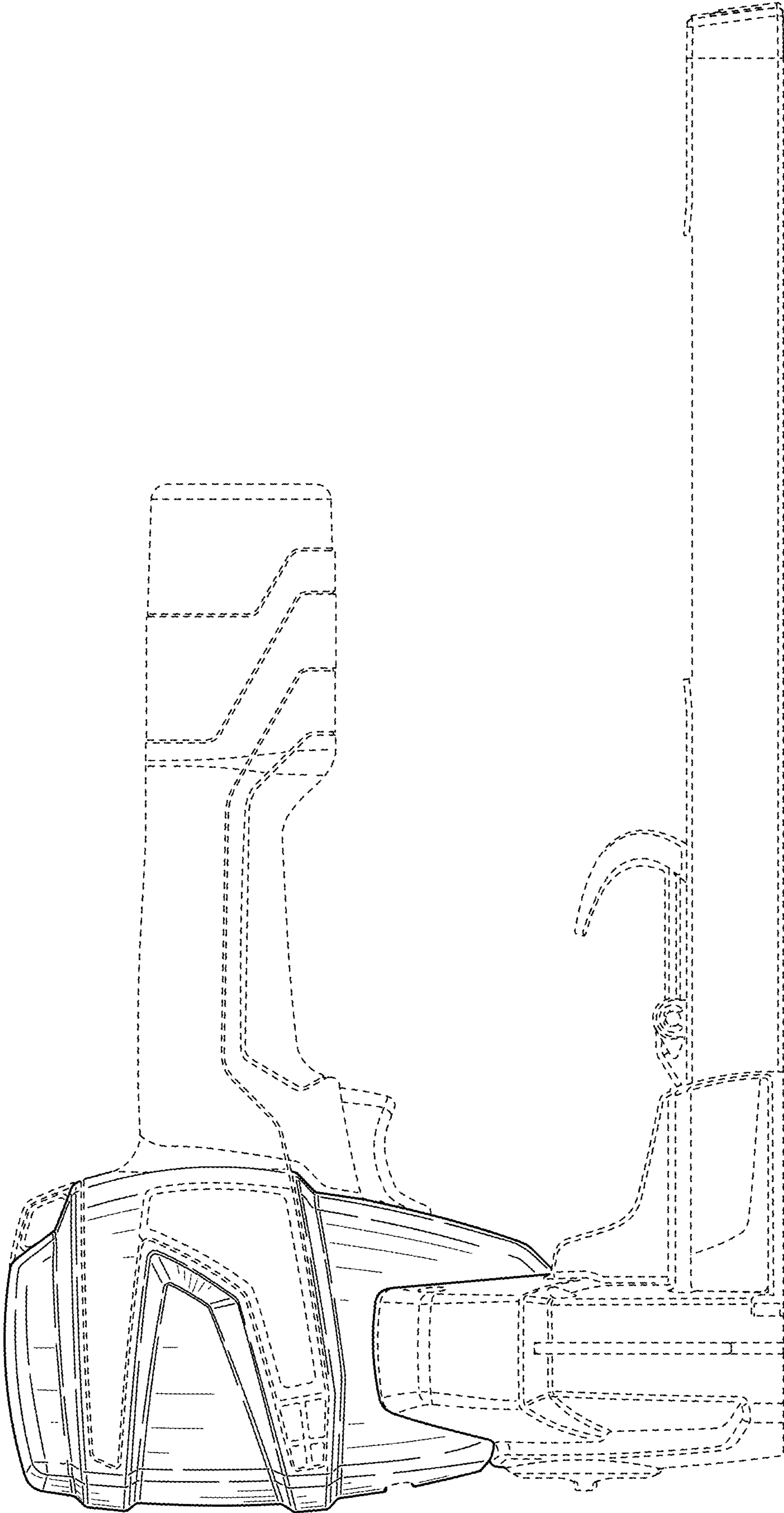


FIG. 7

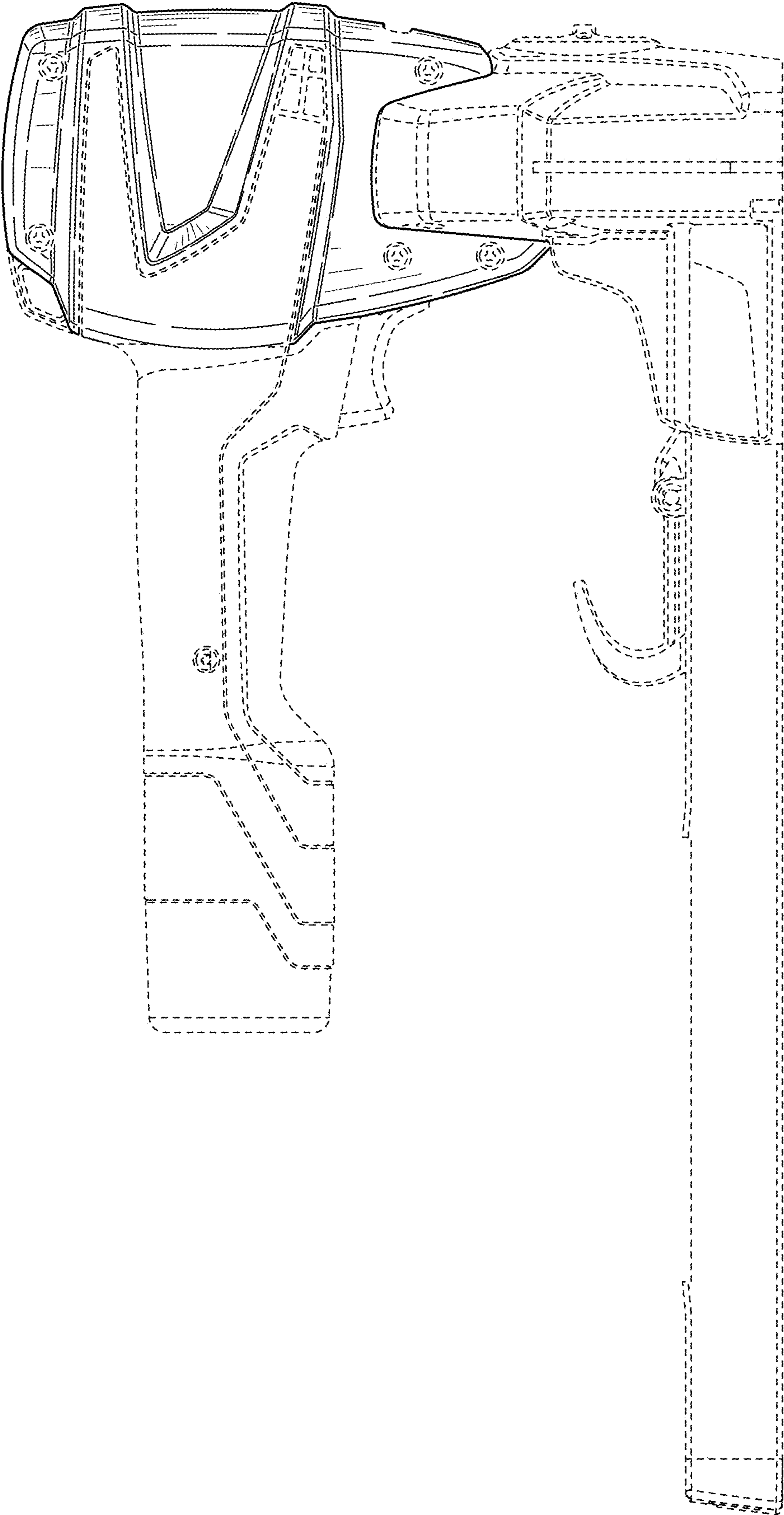


FIG. 8

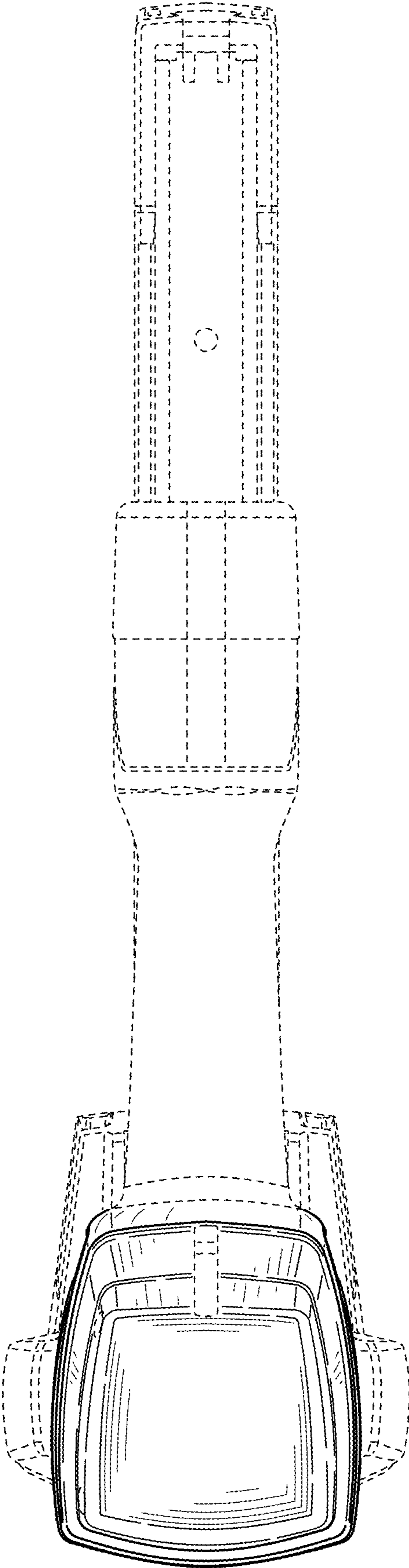


FIG. 9

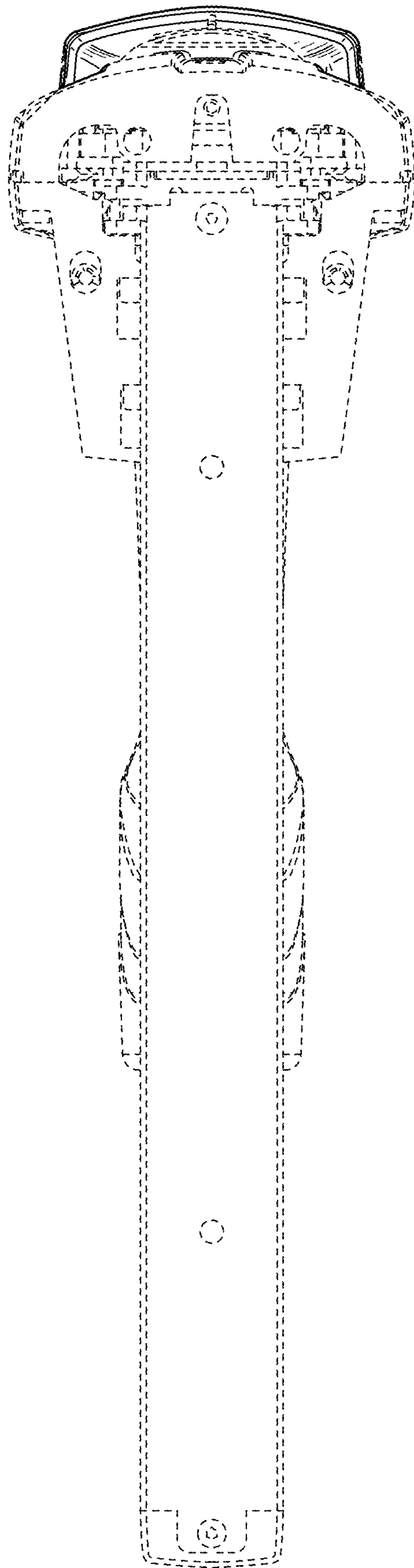


FIG. 10