



US00D918685S

(12) **United States Design Patent**
Eilts et al.

(10) **Patent No.:** **US D918,685 S**

(45) **Date of Patent:** **** May 11, 2021**

(54) **PLUNGE CUT SAW AND GUIDE SYSTEM**

(71) Applicant: **KREG ENTERPRISES, INC.**, Huxley, IA (US)

(72) Inventors: **Paul D. Eilts**, Zearing, IA (US); **Casey L. Kerkmann**, Bondurant, IA (US)

(73) Assignee: **KREG ENTERPRISES, INC.**, Huxley, IA (US)

(**) Term: **15 Years**

(21) Appl. No.: **29/678,278**

(22) Filed: **Jan. 28, 2019**

(51) **LOC (13) Cl.** **08-03**

(52) **U.S. Cl.**
USPC **D8/64**

(58) **Field of Classification Search**
USPC D8/69, 68, 67, 66, 64, 61, 70; 83/698.41, 83/747, 166.3, 374, 373, 375, 376, 391, 83/377, 390, 388, 389; 125/13.01; 144/218
CPC B27B 9/00; B27B 9/02; B27B 5/02; B27B 5/18; B27B 33/08; B28D 1/04; B28D 1/045; B23D 45/00
See application file for complete search history.

(56) **References Cited**

U.S. PATENT DOCUMENTS

5,239,756	A *	8/1993	Matzo	B27B 9/00 30/371
7,290,342	B2 *	11/2007	Hartmann	B27B 9/02 30/376
7,823,293	B2 *	11/2010	Walmsley	B27B 5/29 30/375
D849,495	S *	5/2019	Taniguchi	D8/66
D856,384	S *	8/2019	Takahashi	D15/133
2005/0155232	A1 *	7/2005	Bocka	B27B 9/02 30/377
2005/0217124	A1 *	10/2005	Fuchs	B27B 9/00 30/377

(Continued)

Primary Examiner — Austin Murphy

(74) *Attorney, Agent, or Firm* — Christopher A. Proskey; BrownWinick Law Firm

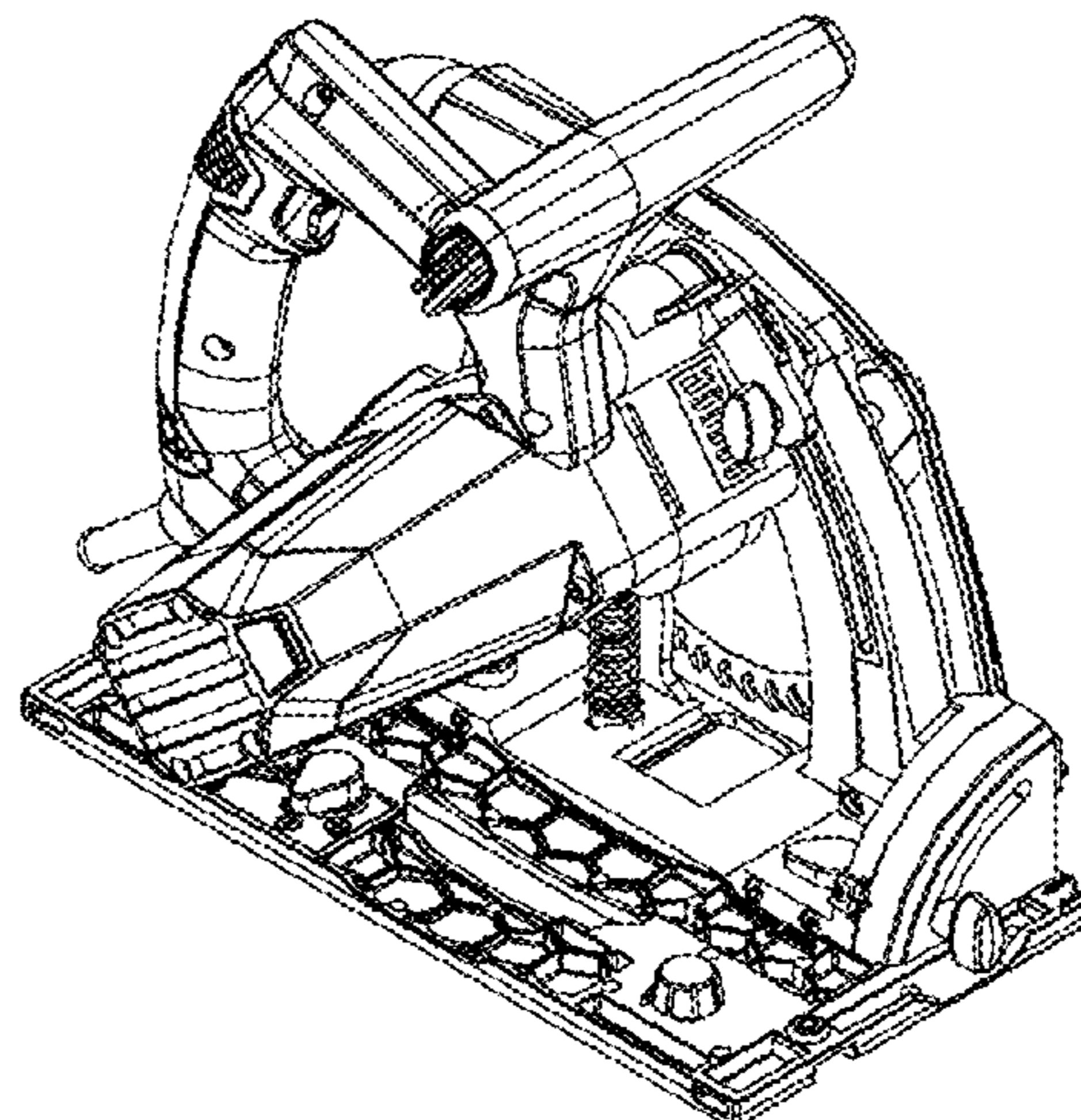
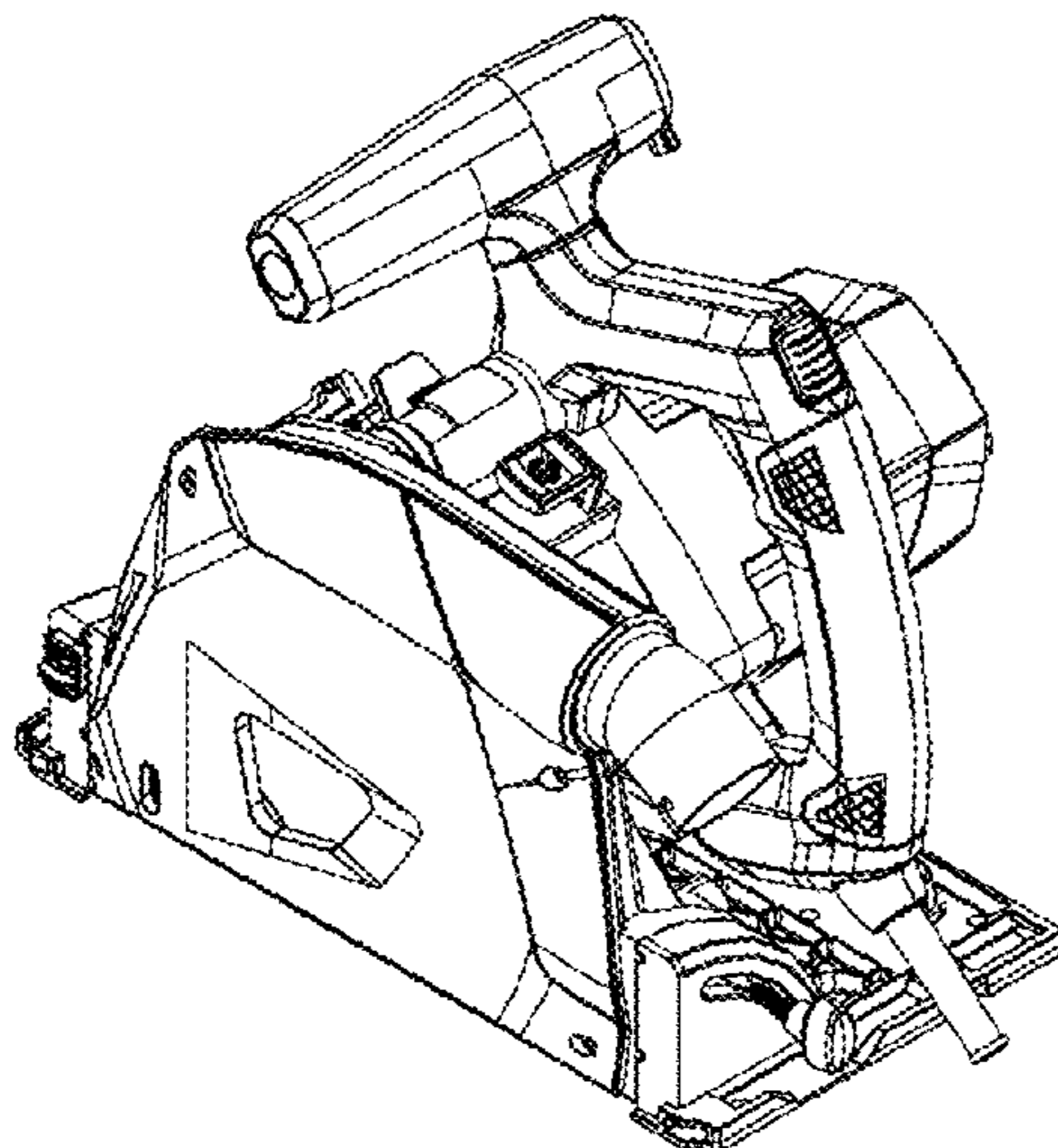
(57) **CLAIM**

The ornamental design for a plunge cut saw and guide system, as is shown and described.

DESCRIPTION

FIG. 1 is an elevation view of a top side of a plunge cut saw and guide system.
 FIG. 2 is an elevation view of a bottom side of a plunge cut saw and guide system.
 FIG. 3 is an elevation view of a left side of a plunge cut saw and guide system.
 FIG. 4 is an elevation view of right side of a plunge cut saw and guide system.
 FIG. 5 is an elevation view of a front side of a plunge cut saw and guide system.
 FIG. 6 is an elevation view of a back side of a plunge cut saw and guide system.
 FIG. 7 is a perspective view of a rear-right, top side of a plunge cut saw and guide system.
 FIG. 8 is a perspective view of a rear-left, top side of a plunge cut saw and guide system.
 FIG. 9 is a perspective view of a front-right, top side of a plunge cut saw and guide system.
 FIG. 10 is a perspective view of a front-left, top side of a plunge cut saw and guide system.
 FIG. 11 is a perspective view of a rear-right, bottom side of a plunge cut saw and guide system.
 FIG. 12 is a perspective view of a rear-left, bottom side of a plunge cut saw and guide system.
 FIG. 13 is a perspective view of a front-right, bottom side of a plunge cut saw and guide system; and,
 FIG. 14 is a perspective view of a front-left, bottom side of a plunge cut saw and guide system.

1 Claim, 14 Drawing Sheets



(56)

References Cited

U.S. PATENT DOCUMENTS

2009/0049970 A1* 2/2009 Thomas B27B 9/04
83/440.2
2009/0133559 A1* 5/2009 Sargeant B27G 19/04
83/508.2

* cited by examiner

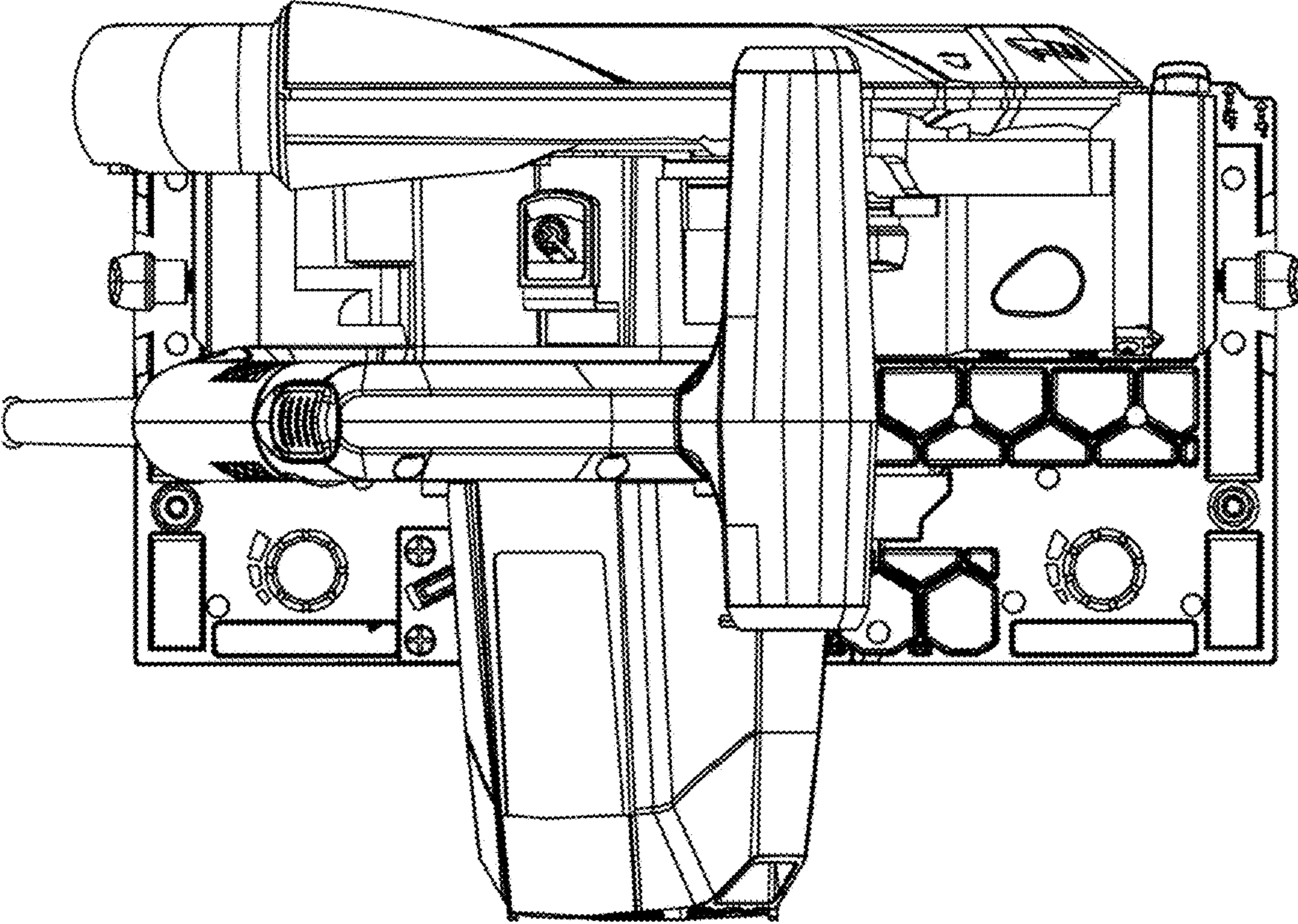


Fig. 1

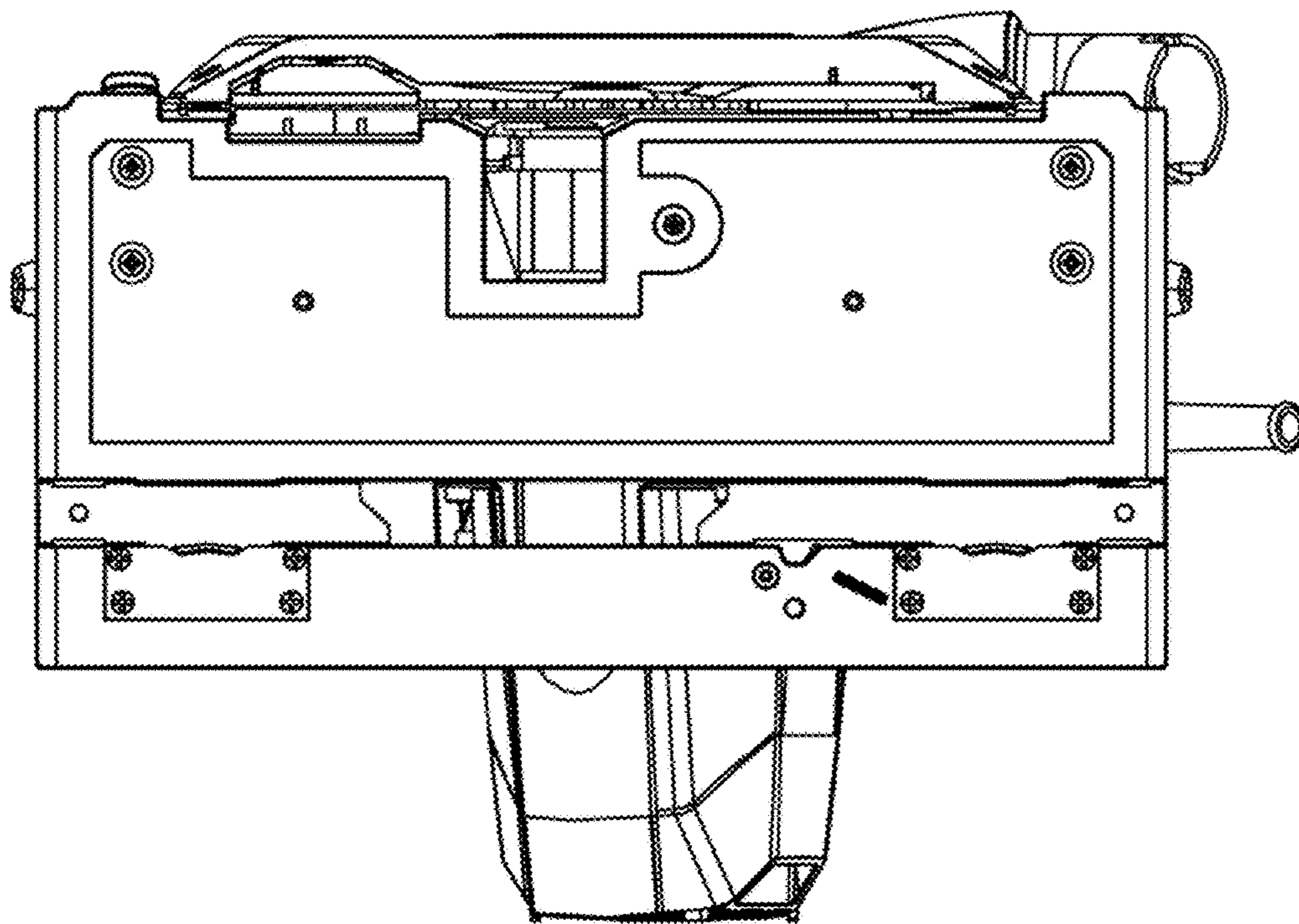


Fig. 2

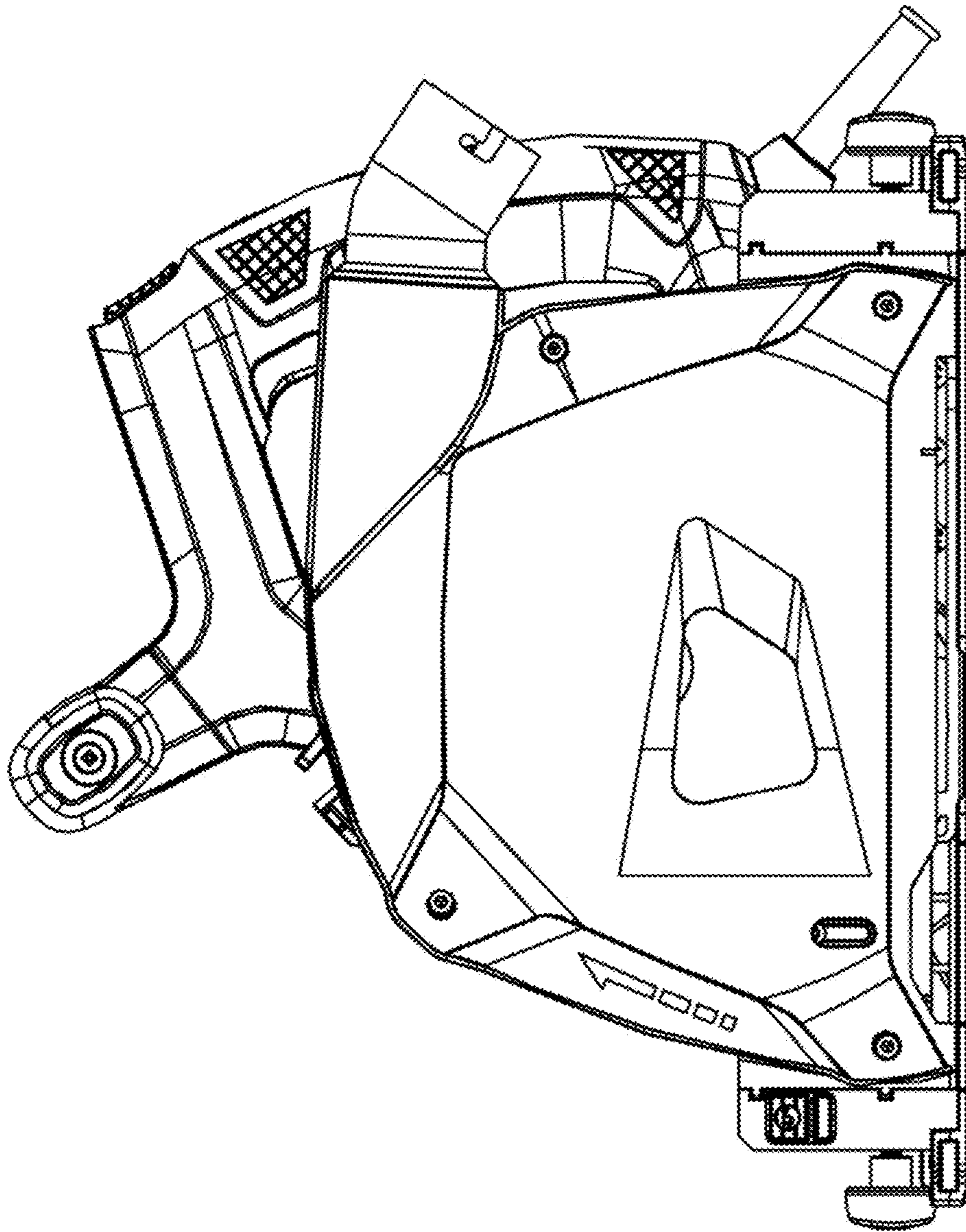


Fig. 3

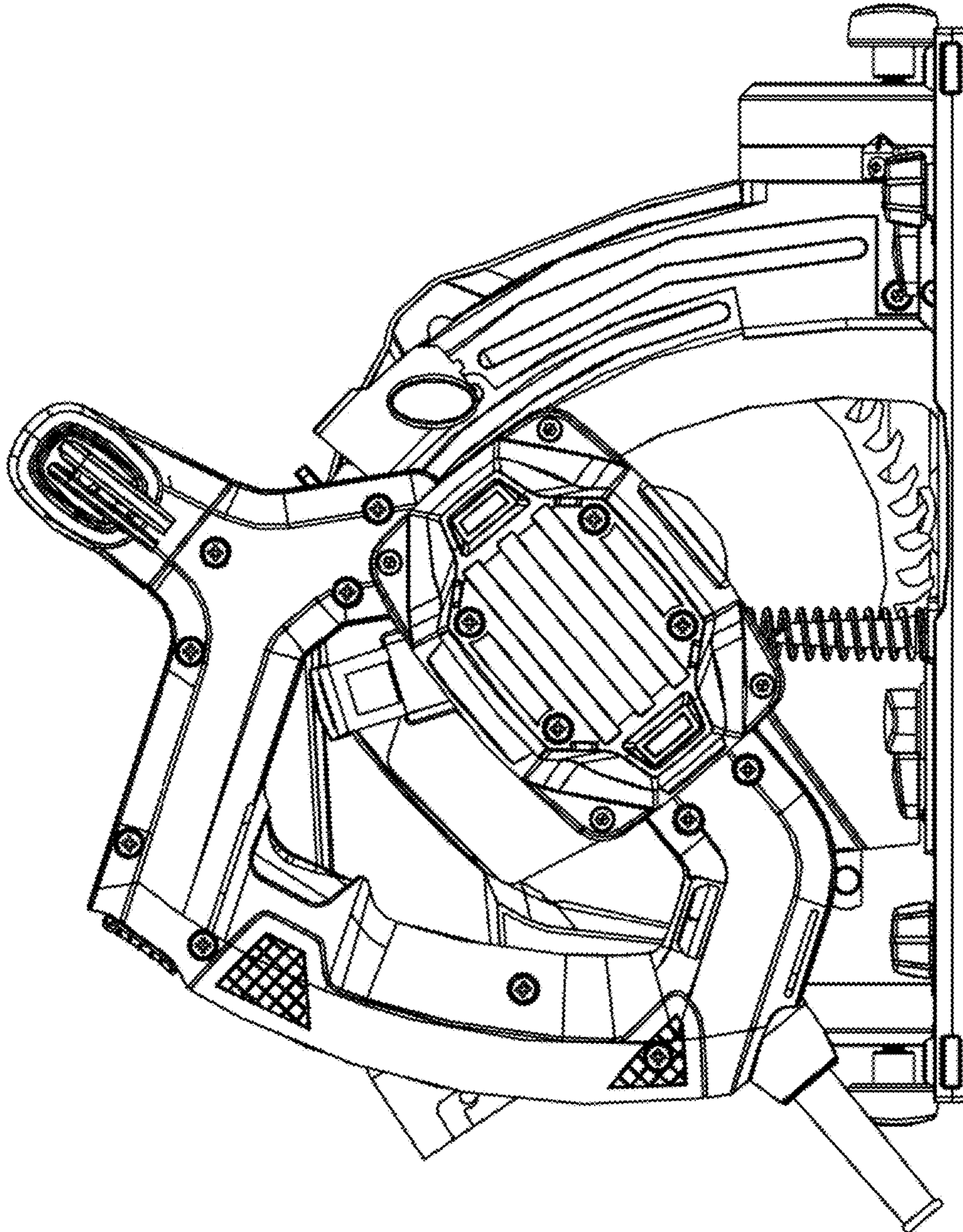


Fig. 4

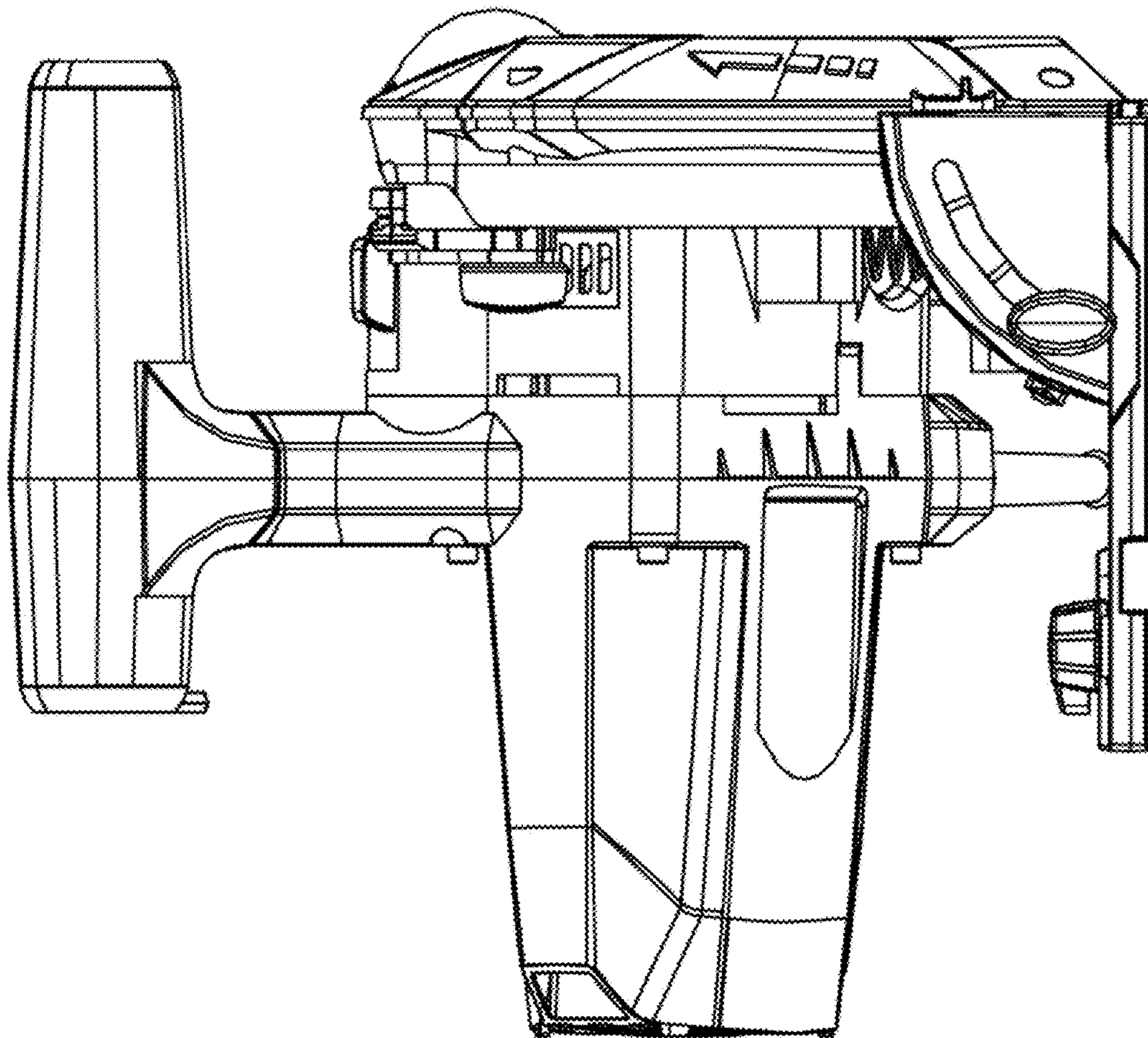


Fig. 5

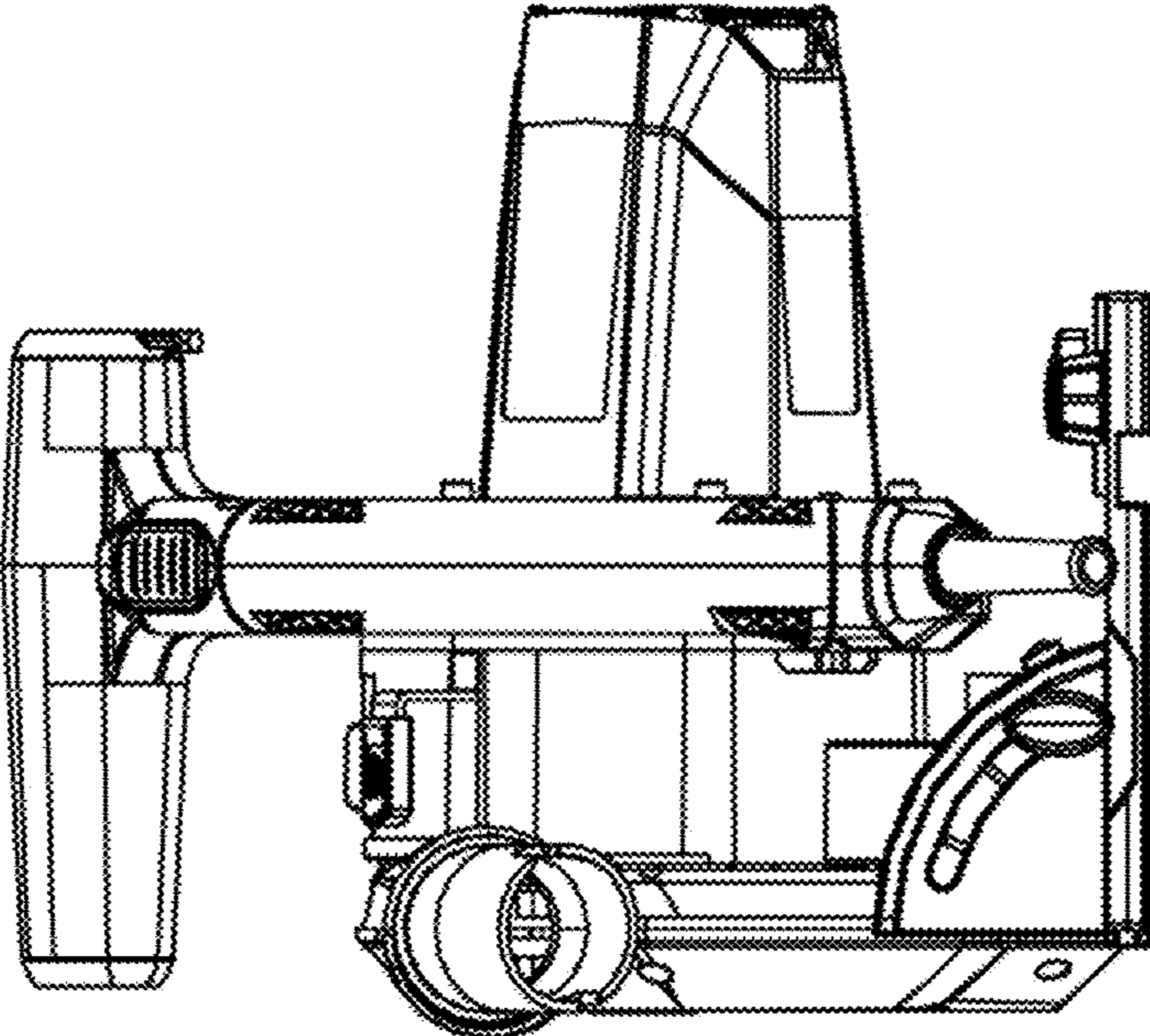


Fig. 6

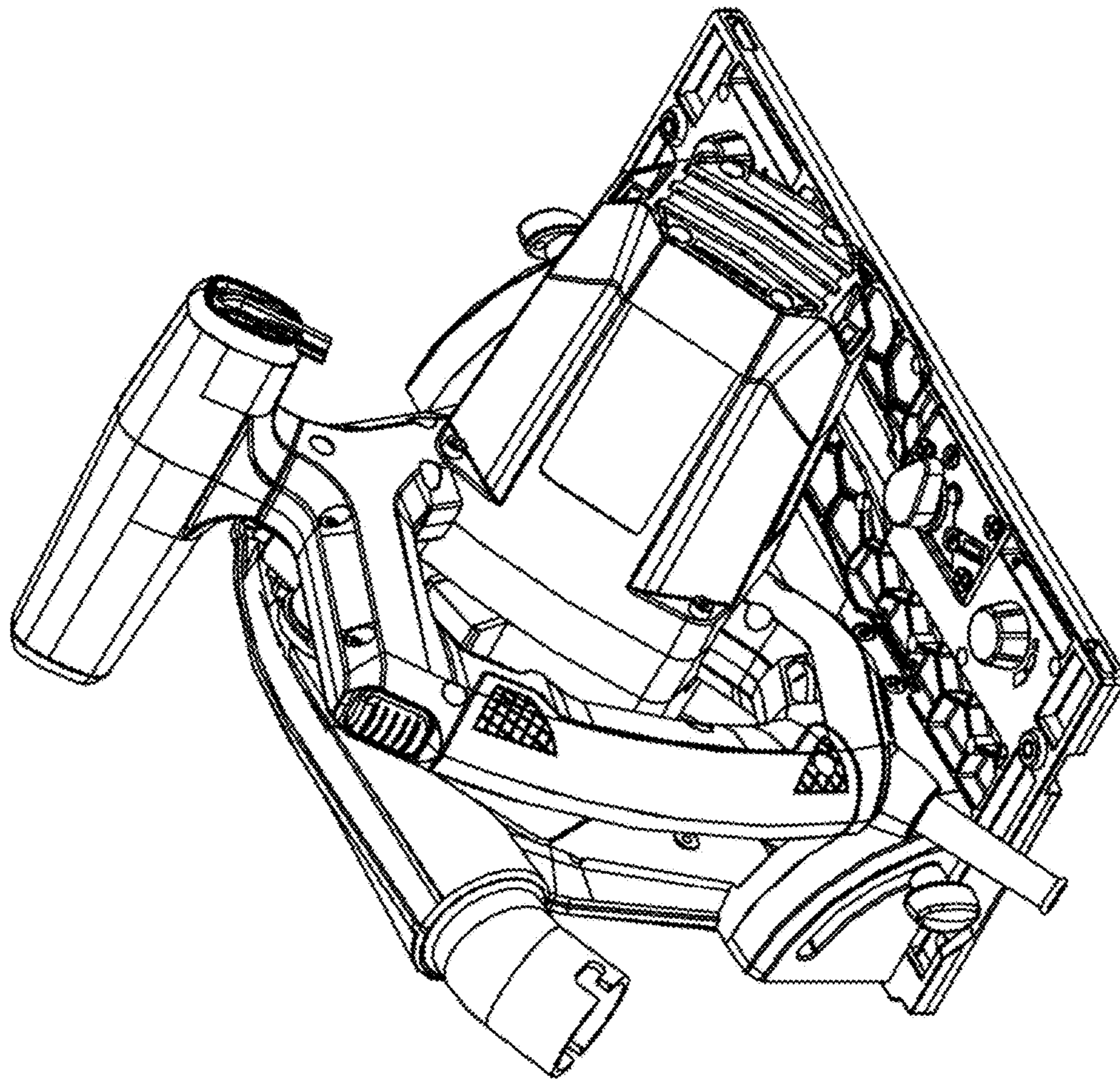


Fig. 7

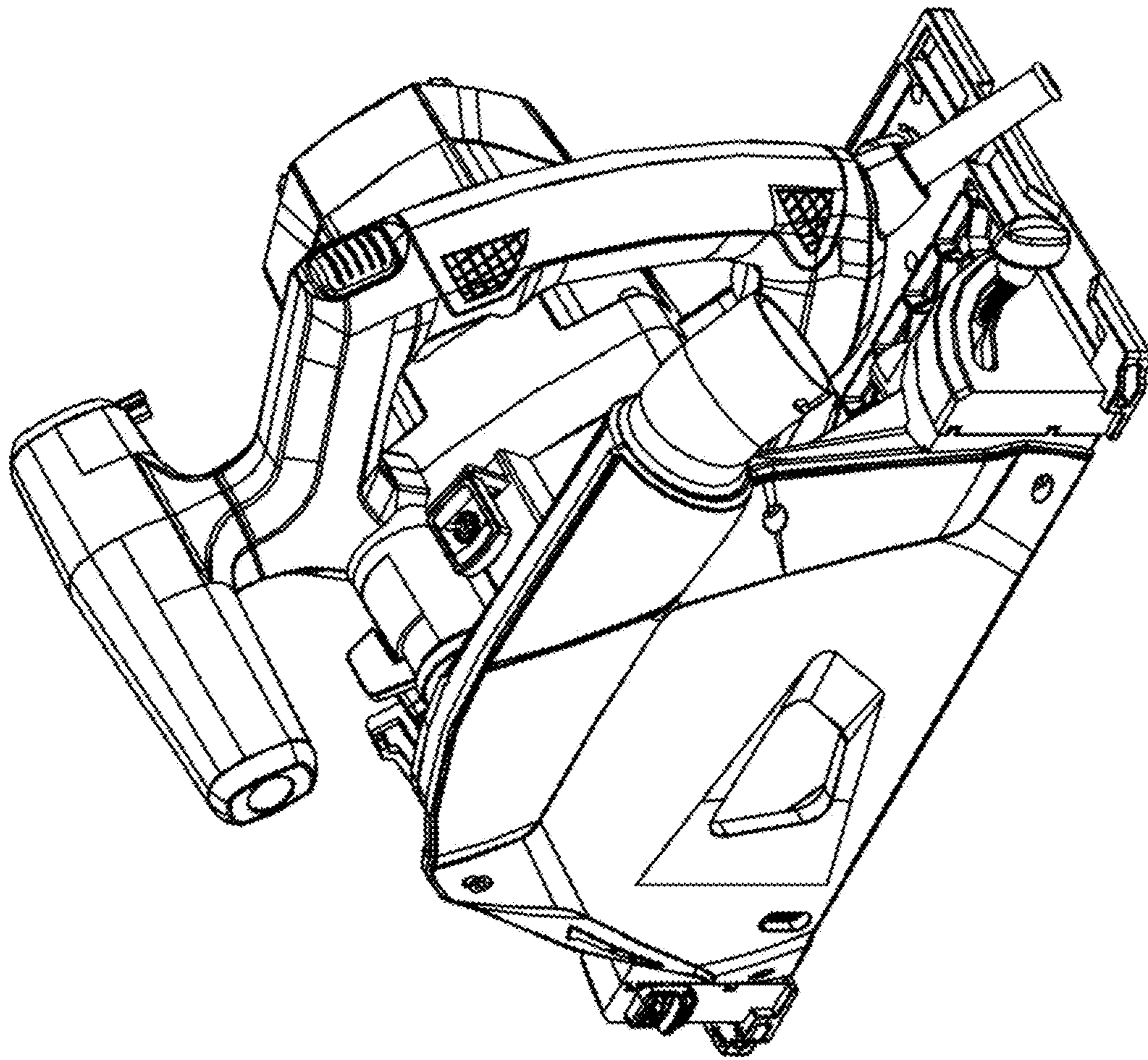


Fig. 8

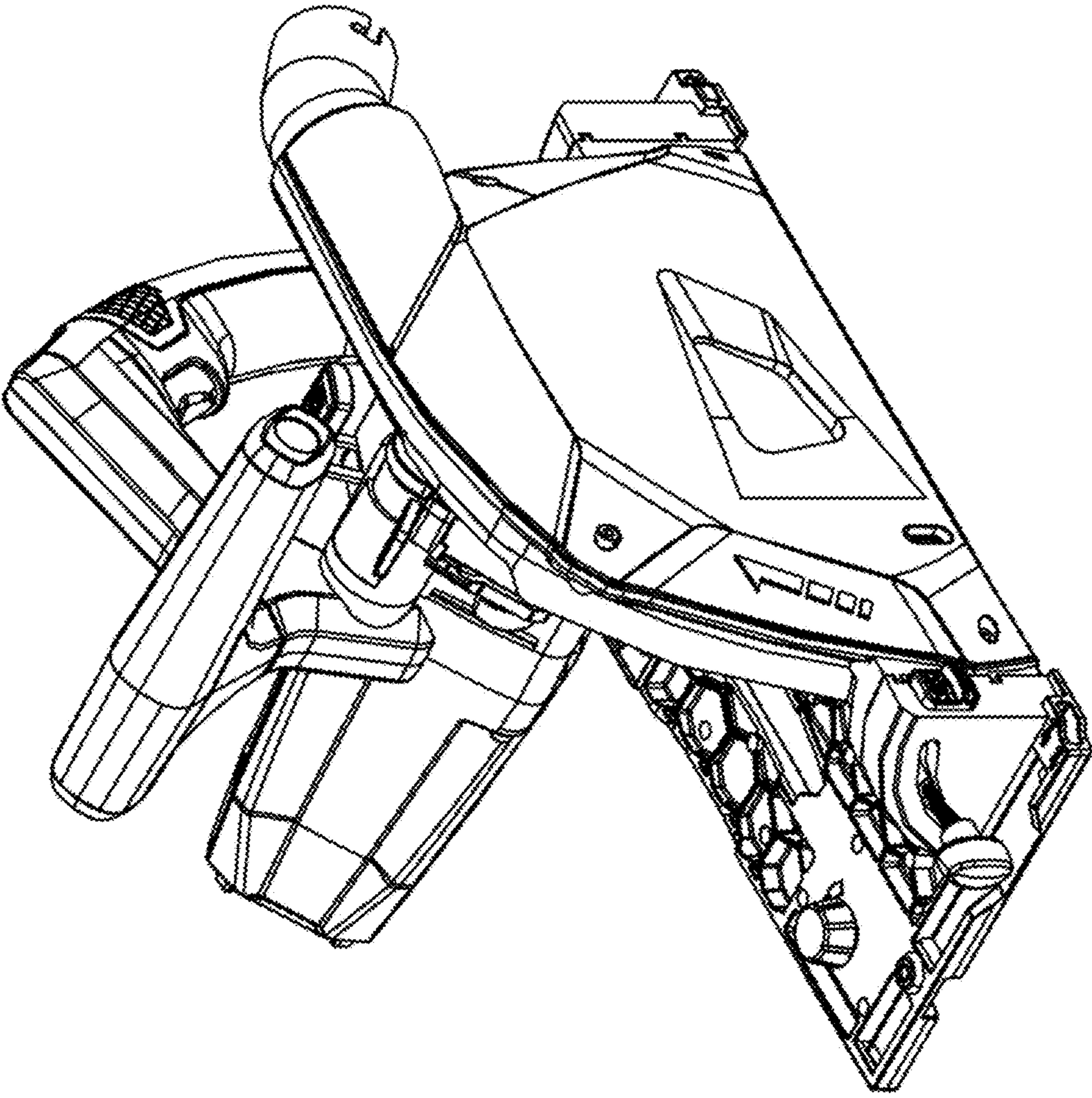


Fig. 9

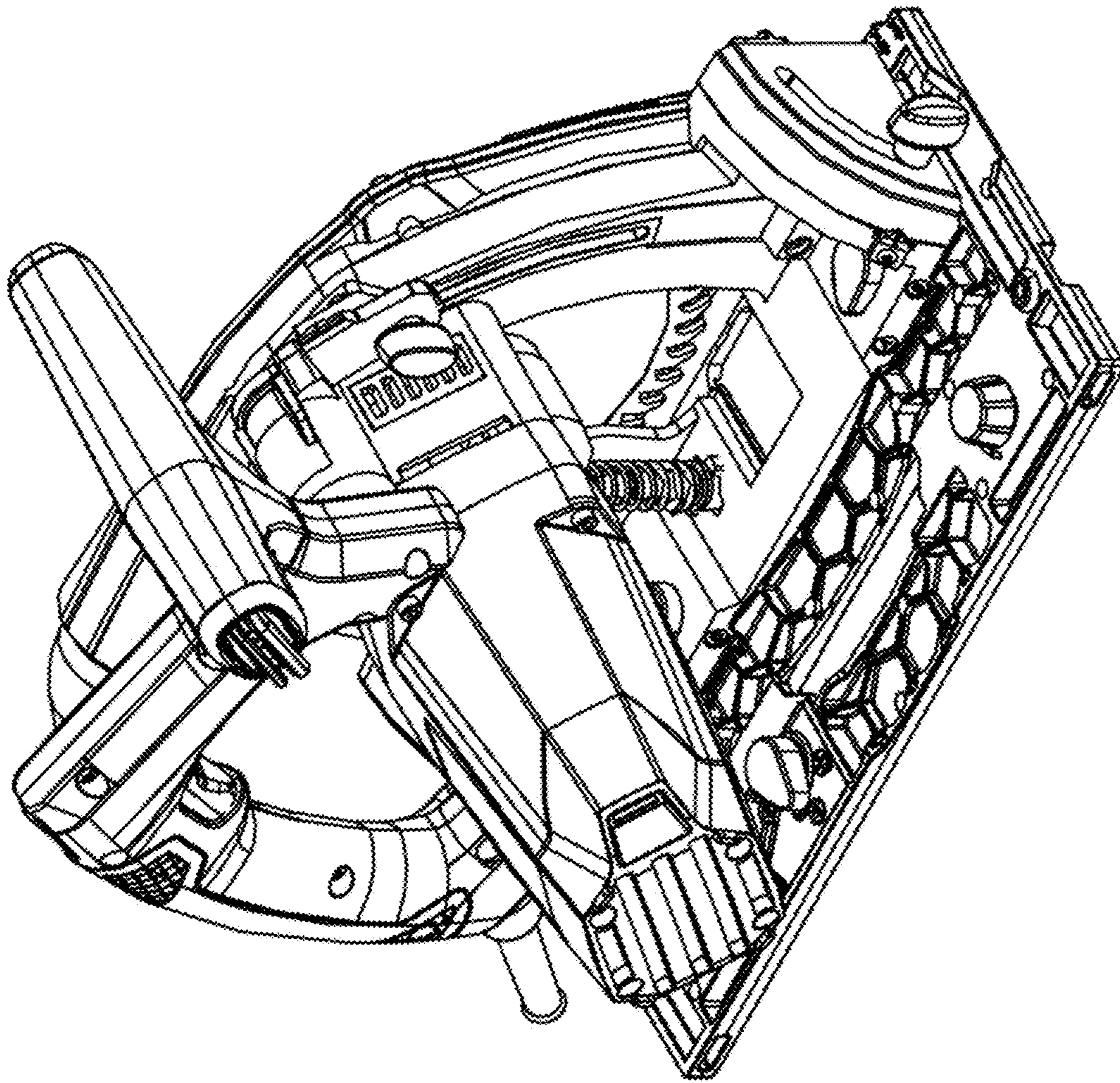


Fig. 10

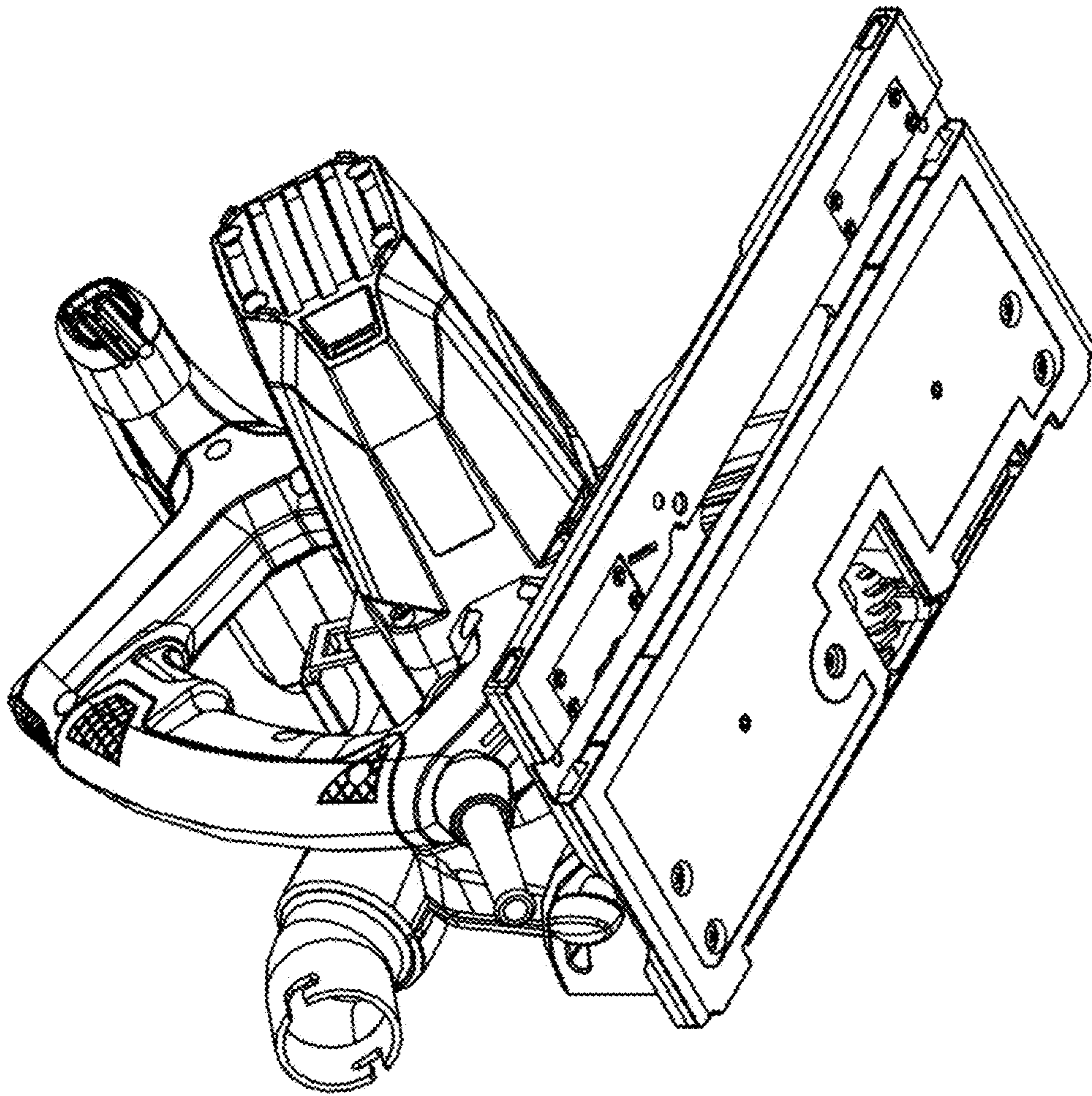


Fig. 11

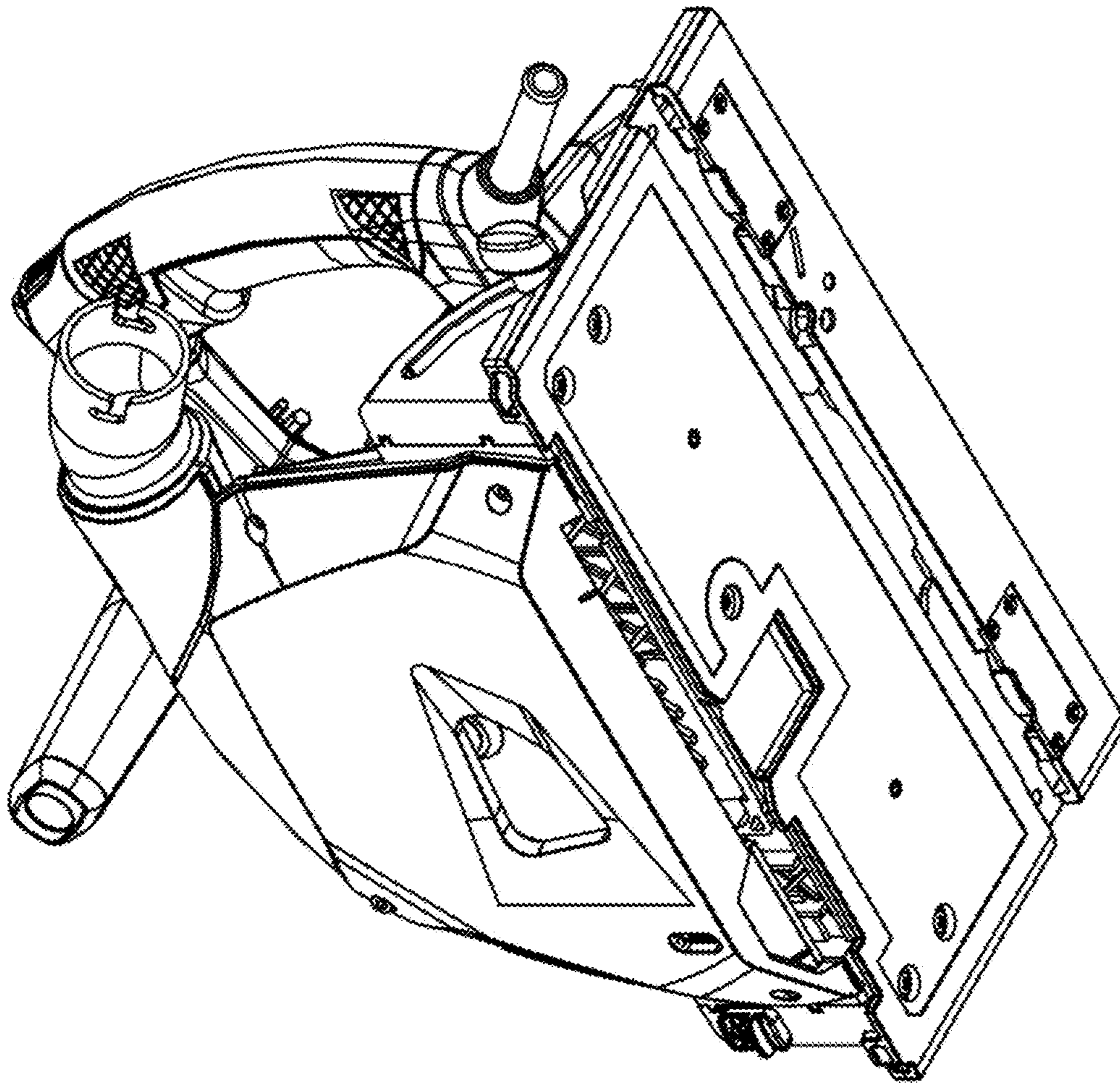


Fig. 12

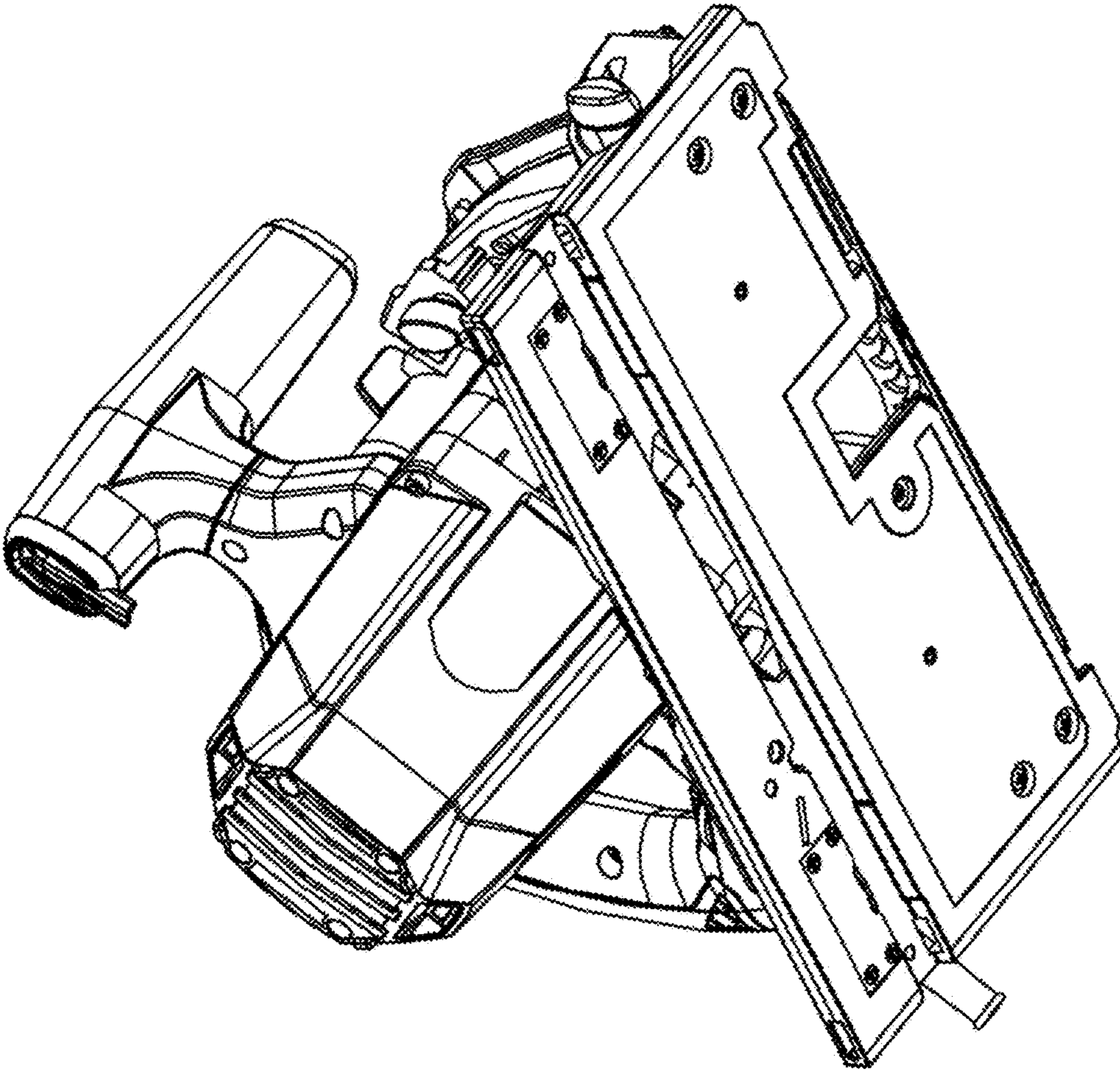


Fig. 13

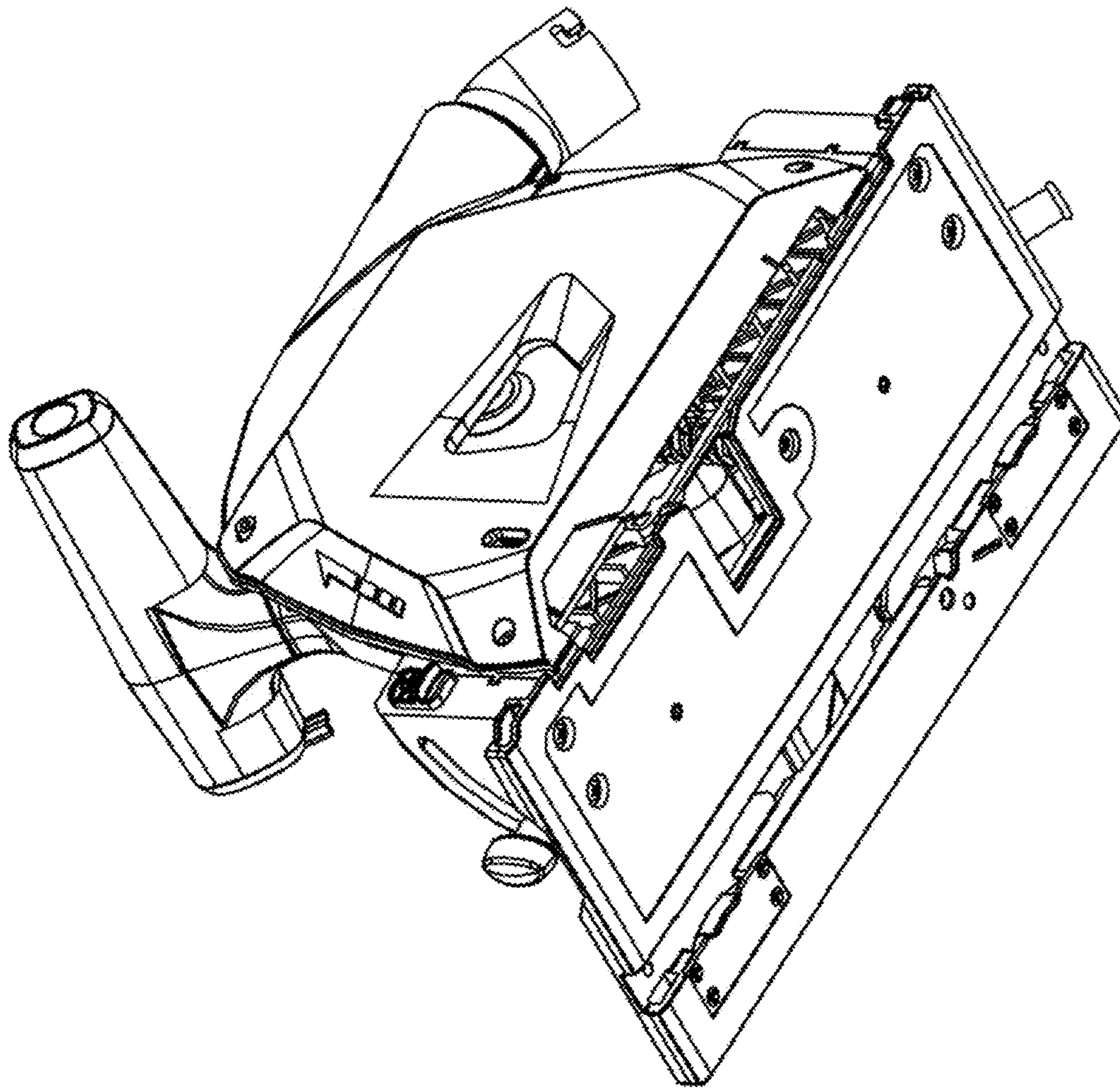


Fig. 14