



US00D918683S

(12) **United States Design Patent** (10) **Patent No.:** **US D918,683 S**
Bloch (45) **Date of Patent:** **** May 11, 2021**

(54) **REPLACEABLE BLADE**
(71) Applicant: **Outdoor Edge Cutlery Corporation,**
Denver, CO (US)
(72) Inventor: **David R. Bloch,** Morrison, CO (US)
(73) Assignee: **OUTDOOR EDGE CUTLERY**
CORPORATION, Denver, CO (US)
(**) Term: **15 Years**
(21) Appl. No.: **29/711,550**
(22) Filed: **Oct. 31, 2019**
(51) **LOC (13) Cl.** **08-03**
(52) **U.S. Cl.**
USPC **D8/20**
(58) **Field of Classification Search**
USPC D8/20, 98, 99, 100, 105; D22/118
CPC .. B26B 3/06; B26B 5/00; B26B 5/005; B26B
5/006; B26B 5/001; B26B 5/003; B26B
11/00; B26B 1/08; B26B 1/02; B26B
1/10; B26B 1/04; B26B 1/042; B26B
1/048; B26B 3/08
See application file for complete search history.

(56) **References Cited**
U.S. PATENT DOCUMENTS
1,738,365 A 12/1929 Gahagan
D100,877 S 8/1936 Parker et al.
D143,670 S 1/1946 Palmer et al.
D172,377 S 6/1954 Woofter
3,488,843 A 1/1970 Tims, Jr.
3,760,438 A 9/1973 White
3,772,955 A 11/1973 Pearl
3,896,546 A 7/1975 Hildebrandt
3,918,158 A * 11/1975 Debski B26B 3/08
30/314
D246,281 S * 11/1977 Ferrara, Jr. D7/649
4,161,818 A 7/1979 Phelps

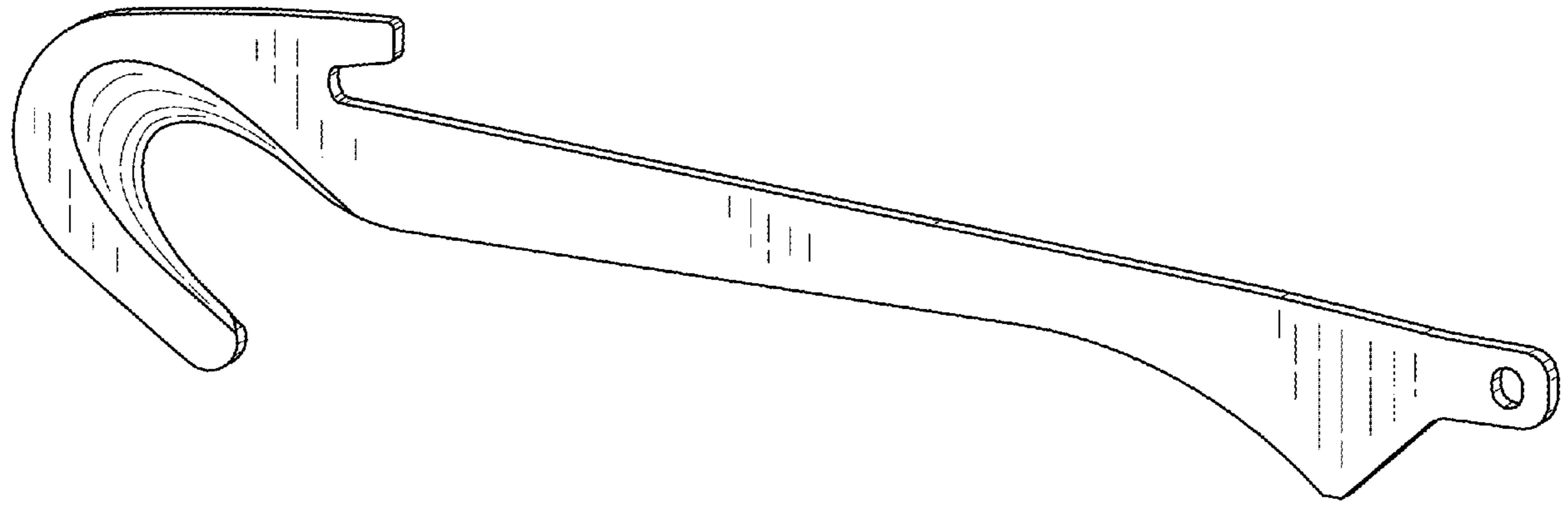
4,173,071 A 11/1979 Ishida
4,198,751 A * 4/1980 Egbert A22B 5/168
30/286
D265,719 S 8/1982 Dowdy
D277,452 S 2/1985 Ulvtorp
D306,550 S 3/1990 Inman
D308,009 S 5/1990 Evrell
D333,251 S 2/1993 Glesser
5,272,812 A 12/1993 Doucette
5,442,855 A 8/1995 Jobin
5,502,895 A 4/1996 Lemaire
5,511,310 A 4/1996 Sessions et al.
D371,288 S 7/1996 Thompson
D383,370 S 9/1997 Chen et al.
D385,471 S 10/1997 Seber et al.
5,689,889 A 11/1997 Overholt
D392,539 S 3/1998 Balolia
D393,405 S 4/1998 Seberetal
5,966,816 A 11/1999 Roberson
6,044,566 A 4/2000 Ries et al.
6,058,611 A 5/2000 Rickard
D435,420 S 12/2000 Ayoob
D442,461 S 5/2001 Glesser
(Continued)

Primary Examiner — Philip S Hyder
(74) *Attorney, Agent, or Firm* — FisherBroyles, LLP;
Craig W. Mueller

(57) **CLAIM**
The ornamental design for a replaceable blade, as shown and described.

DESCRIPTION
FIG. 1 is a perspective view of the replaceable blade;
FIG. 2 is a front elevation view thereof;
FIG. 3 is a rear elevation view thereof;
FIG. 4 is a left elevation view thereof;
FIG. 5 is a right elevation view thereof;
FIG. 6 is a top plan view thereof; and,
FIG. 7 is a bottom plan view thereof.

1 Claim, 5 Drawing Sheets



(56)

References Cited

U.S. PATENT DOCUMENTS

6,263,581 B1 7/2001 Forte
 6,397,476 B1 6/2002 Onion
 6,446,341 B1 9/2002 Wang et al.
 6,574,868 B1 6/2003 Overholt
 6,715,209 B2 4/2004 Taylor
 D501,782 S 2/2005 Ping
 6,938,345 B2 9/2005 Yu
 D510,250 S 10/2005 Ping
 D516,403 S 3/2006 Ping
 D517,893 S 3/2006 Ping
 D519,019 S 4/2006 Ping
 7,020,969 B2 4/2006 Roberson
 D522,835 S 6/2006 Ping
 D526,878 S 8/2006 Ping
 D528,894 S 9/2006 Ping
 D528,895 S 9/2006 Ping
 7,134,207 B2 11/2006 Ping
 D535,171 S 1/2007 Ping
 7,172,611 B2 2/2007 Harding et al.
 7,214,127 B1* 5/2007 Thompson A22B 5/168
 452/103
 D543,822 S 6/2007 Ping
 D545,165 S 6/2007 Ping
 D546,158 S 7/2007 Ping
 D551,050 S 9/2007 Ping
 D552,955 S 10/2007 Ping
 D561,295 S* 2/2008 Taylor D22/118
 D562,651 S 2/2008 Harkey
 D564,326 S 3/2008 Tsuda et al.
 D567,055 S 4/2008 Renzi et al.
 D568,136 S 5/2008 Ping
 D573,435 S 7/2008 Tsuda et al.
 D574,691 S 8/2008 Ping
 D578,847 S* 10/2008 Mashburn D8/20
 D578,858 S 10/2008 Ping
 D579,299 S 10/2008 Ping
 D583,643 S 12/2008 Ping
 D584,125 S 1/2009 Ping
 7,480,997 B2 1/2009 Ping
 D592,033 S 5/2009 Bloch

D593,838 S 6/2009 Williams
 7,900,363 B1 3/2011 White
 D654,144 S 2/2012 Karlsson et al.
 8,381,407 B1 2/2013 White
 D714,598 S* 10/2014 Sandelin D8/7
 8,935,855 B2 1/2015 Qiu
 D728,339 S* 5/2015 Bloch D8/99
 D738,181 S 9/2015 Kanaan
 D747,637 S 1/2016 Bloch
 D750,948 S 3/2016 Pelton
 D751,882 S* 3/2016 Bloch D8/99
 9,352,473 B2 5/2016 Harvey
 D764,888 S 8/2016 Bloch
 9,592,612 B2 3/2017 Koenig
 D795,040 S 8/2017 Bloch
 D796,923 S 9/2017 Scimone
 D811,847 S* 3/2018 Constantine D8/98
 D832,072 S* 10/2018 McGinnis D8/98
 D847,604 S* 5/2019 Stinson D8/99
 D868,200 S* 11/2019 Mojica D22/118
 D869,254 S* 12/2019 Bloch D8/20
 10,493,641 B2* 12/2019 Bloch B26B 9/00
 2004/0226173 A1 11/2004 Ping
 2004/0231169 A1 11/2004 Roberson
 2005/0138816 A1 6/2005 Ping
 2005/0229404 A1 10/2005 Nordqvist et al.
 2006/0064877 A1 3/2006 Vallotton et al.
 2007/0006466 A1 1/2007 Ping
 2007/0294895 A1 12/2007 Ping
 2008/0148576 A1 6/2008 Ping
 2010/0175267 A1 7/2010 Seber
 2010/0299935 A1 12/2010 Ping
 2011/0023308 A1 2/2011 Ping
 2012/0030949 A1 2/2012 Ping
 2012/0227267 A1 9/2012 Qiu
 2013/0227794 A1 9/2013 Wang
 2013/0255087 A1 10/2013 Wang
 2014/0115851 A1 5/2014 Bloch et al.
 2014/0216605 A1 8/2014 Batty
 2014/0345147 A1 11/2014 Frazer
 2016/0271809 A1* 9/2016 Bloch B26B 5/00

* cited by examiner

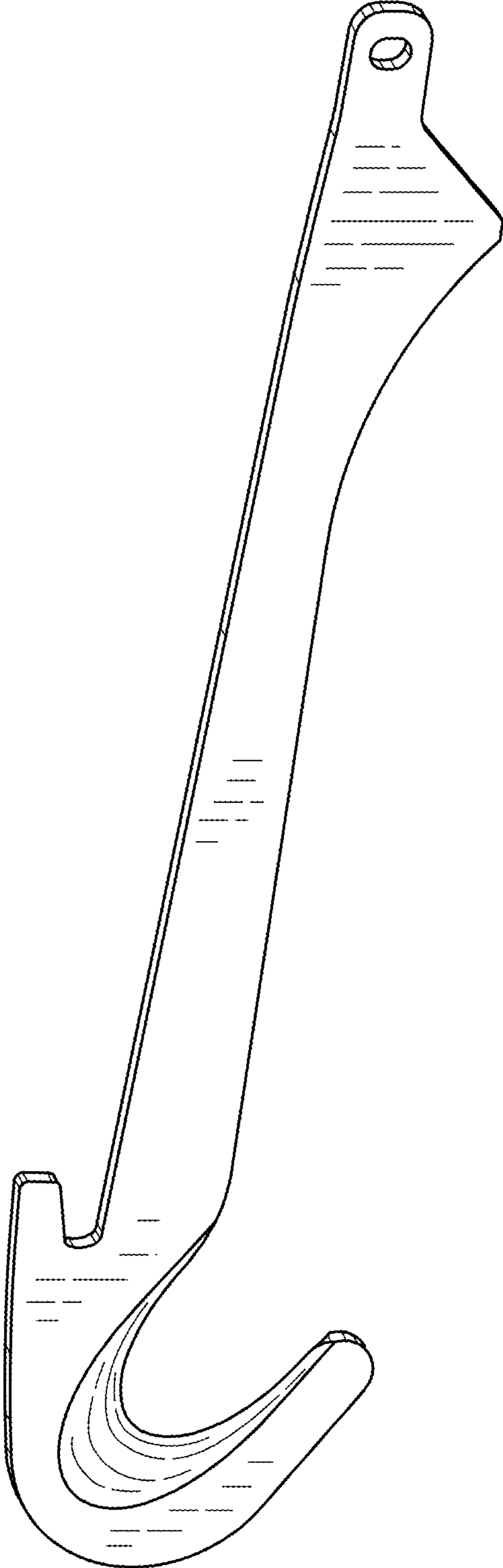


FIG.1

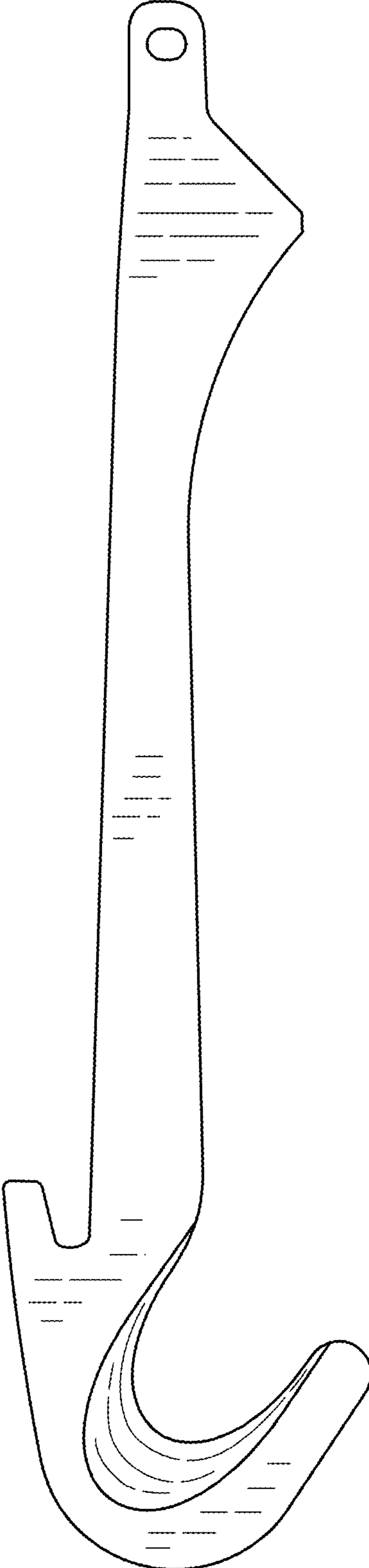


FIG.2

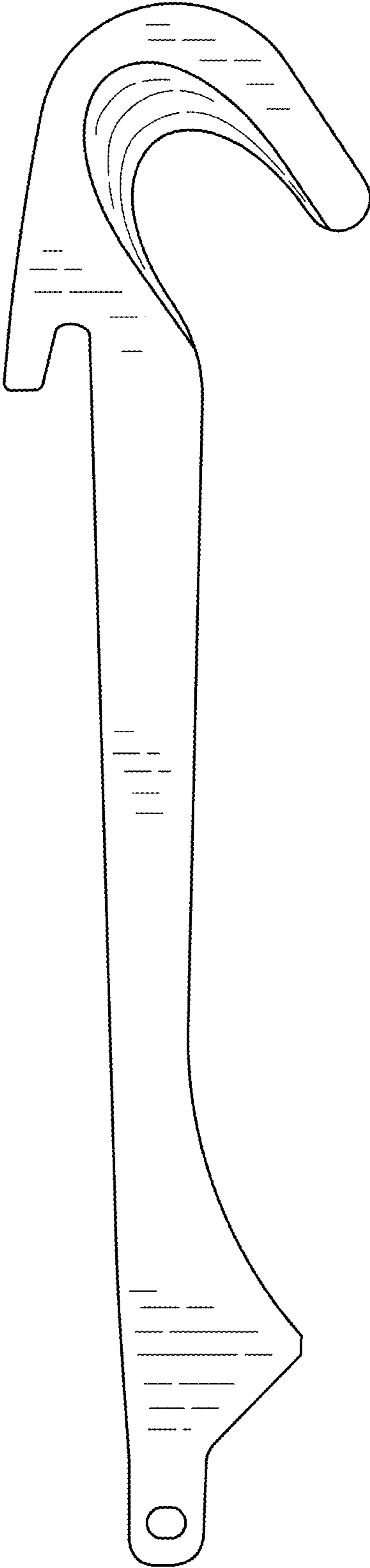


FIG.3



FIG.4



FIG.5



FIG. 6



FIG. 7