



US00D918678S

(12) **United States Design Patent**  
**Wilson**

(10) **Patent No.:** **US D918,678 S**

(45) **Date of Patent:** **\*\* May 11, 2021**

(54) **TIERED BASKET**

(71) Applicant: **Spectrum Diversified Designs, LLC**,  
Streetsboro, OH (US)

(72) Inventor: **Courtney Wilson**, Chardon, OH (US)

(73) Assignee: **SPECTRUM DIVERSIFIED  
DESIGNS, LLC**, Streetsboro, OH (US)

(\*\*) Term: **15 Years**

(21) Appl. No.: **29/699,590**

(22) Filed: **Jul. 26, 2019**

(51) **LOC (13) Cl.** ..... **07-99**

(52) **U.S. Cl.**  
USPC ..... **D7/704; D7/601**

(58) **Field of Classification Search**  
USPC ..... D7/601, 704, 600.1-600.4, 584-587;  
D3/304, 306; D6/537, 675.2, 675.5,  
D6/676.5, 677.5, 678.5, 680.3, 512, 513  
CPC ..... A47F 7/00; A47F 7/0071; A47F 7/0078;  
A47F 5/00; A47F 5/01; A47F 5/14; A47F  
5/05; A47F 5/13; A47J 47/00; A47J  
47/16; B65D 7/20; B65D 7/14; A47B  
55/02; A47B 55/00

See application file for complete search history.

(56) **References Cited**

**U.S. PATENT DOCUMENTS**

D507,108 S \* 7/2005 Suero, Jr. .... D3/304  
D608,599 S \* 1/2010 Goodman ..... D7/601

D629,610 S \* 12/2010 Goodman ..... D3/306  
D648,131 S \* 11/2011 Goodman ..... D3/306  
D747,932 S \* 1/2016 Goodman ..... D7/609  
D784,088 S \* 4/2017 Goodman ..... D7/601  
D788,528 S \* 6/2017 Goodman ..... D7/500  
2011/0253711 A1\* 10/2011 Hertaus ..... A47F 5/05  
220/4.27

**OTHER PUBLICATIONS**

Spectrum Diversified Euro Bread Basket, Satin Nickel, Spectrum  
Diversified website, [https://www.amazon.com/Spectrum-Diversified-  
Bread-Basket-Nickel/dp/B00R4ZJMNU](https://www.amazon.com/Spectrum-Diversified-Bread-Basket-Nickel/dp/B00R4ZJMNU), dated Jul. 15, 2019, 1 page.

\* cited by examiner

*Primary Examiner* — Terry A Wallace

(74) *Attorney, Agent, or Firm* — Tucker Ellis LLP

(57) **CLAIM**

The ornamental design for a tiered basket, as shown and  
described.

**DESCRIPTION**

FIG. 1 is a perspective view of a tiered basket showing my  
new design.

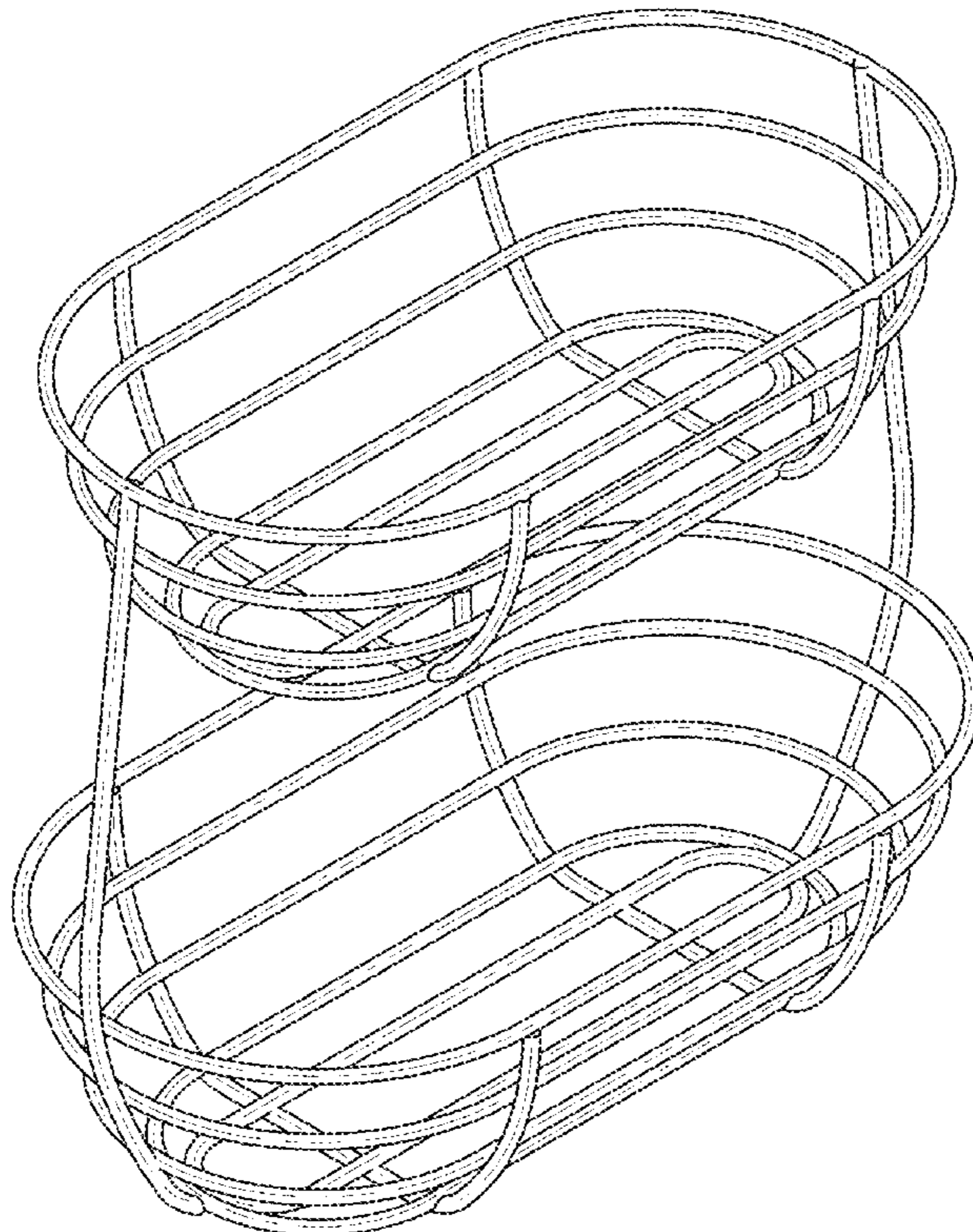
FIG. 2 is a front view thereof, a rear view being a mirror  
image.

FIG. 3 is a right side view thereof, a left side view being a  
mirror image.

FIG. 4 is a top view thereof; and,

FIG. 5 is a bottom view thereof.

**1 Claim, 5 Drawing Sheets**



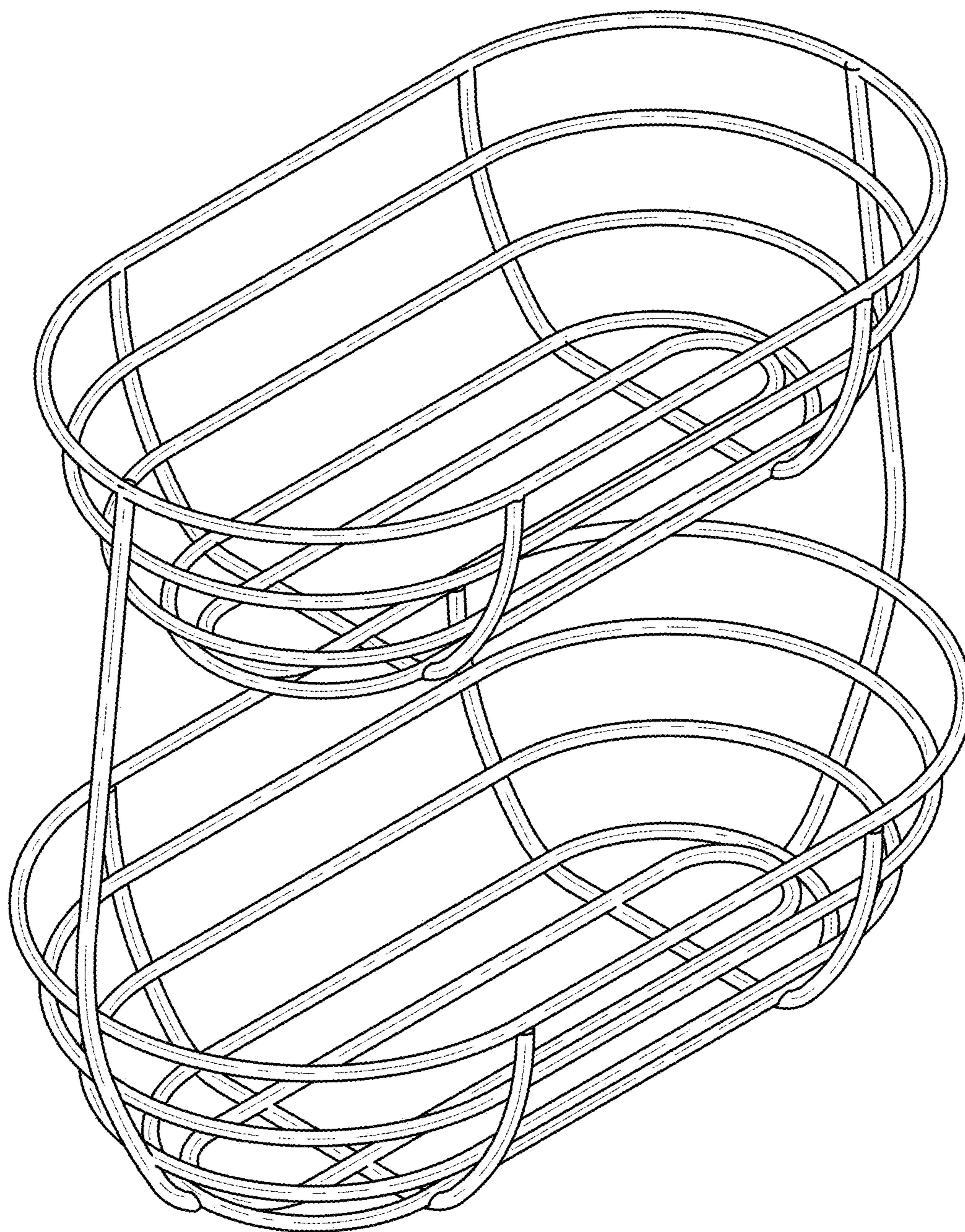


FIG. 1

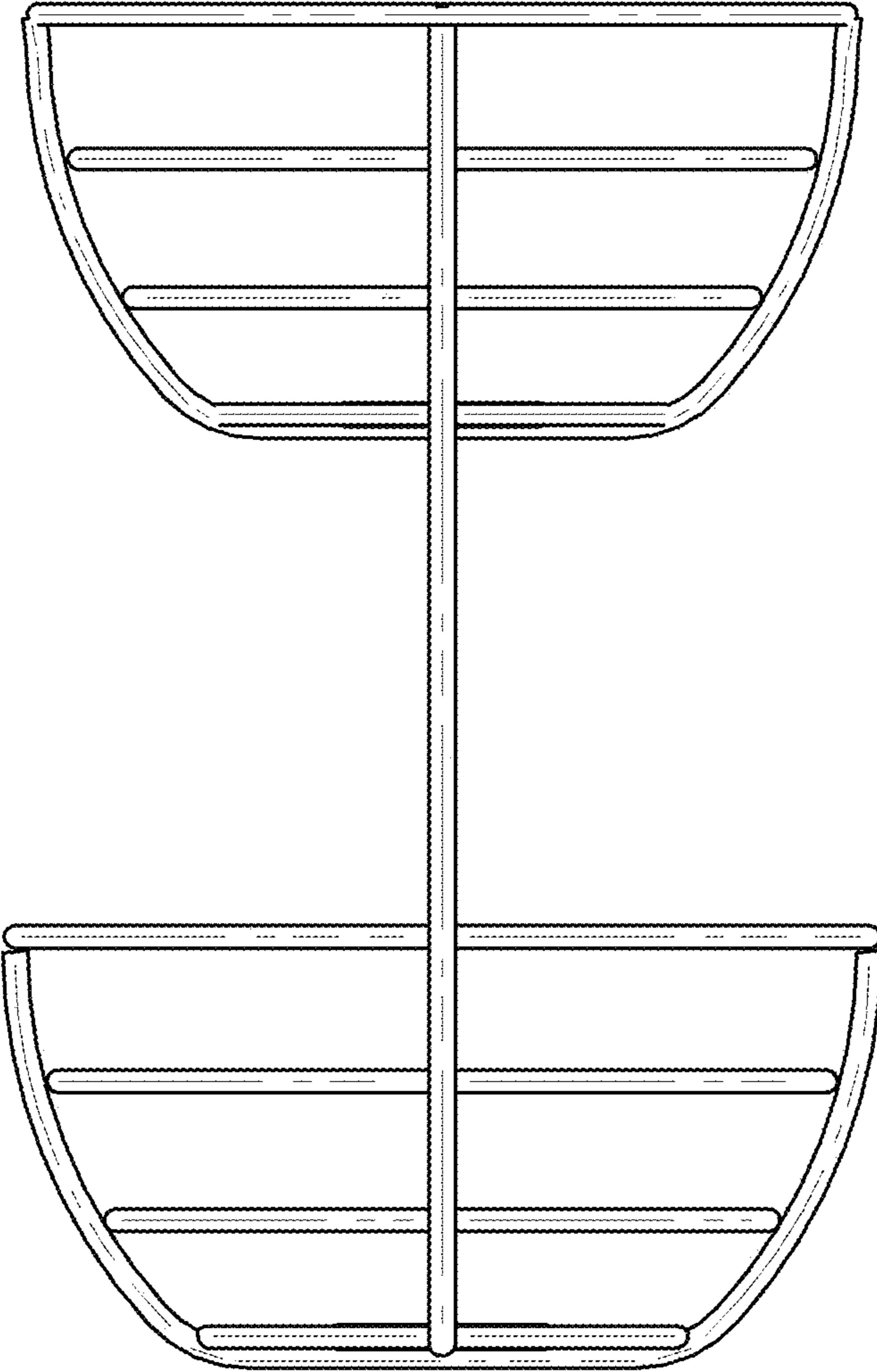


FIG. 2

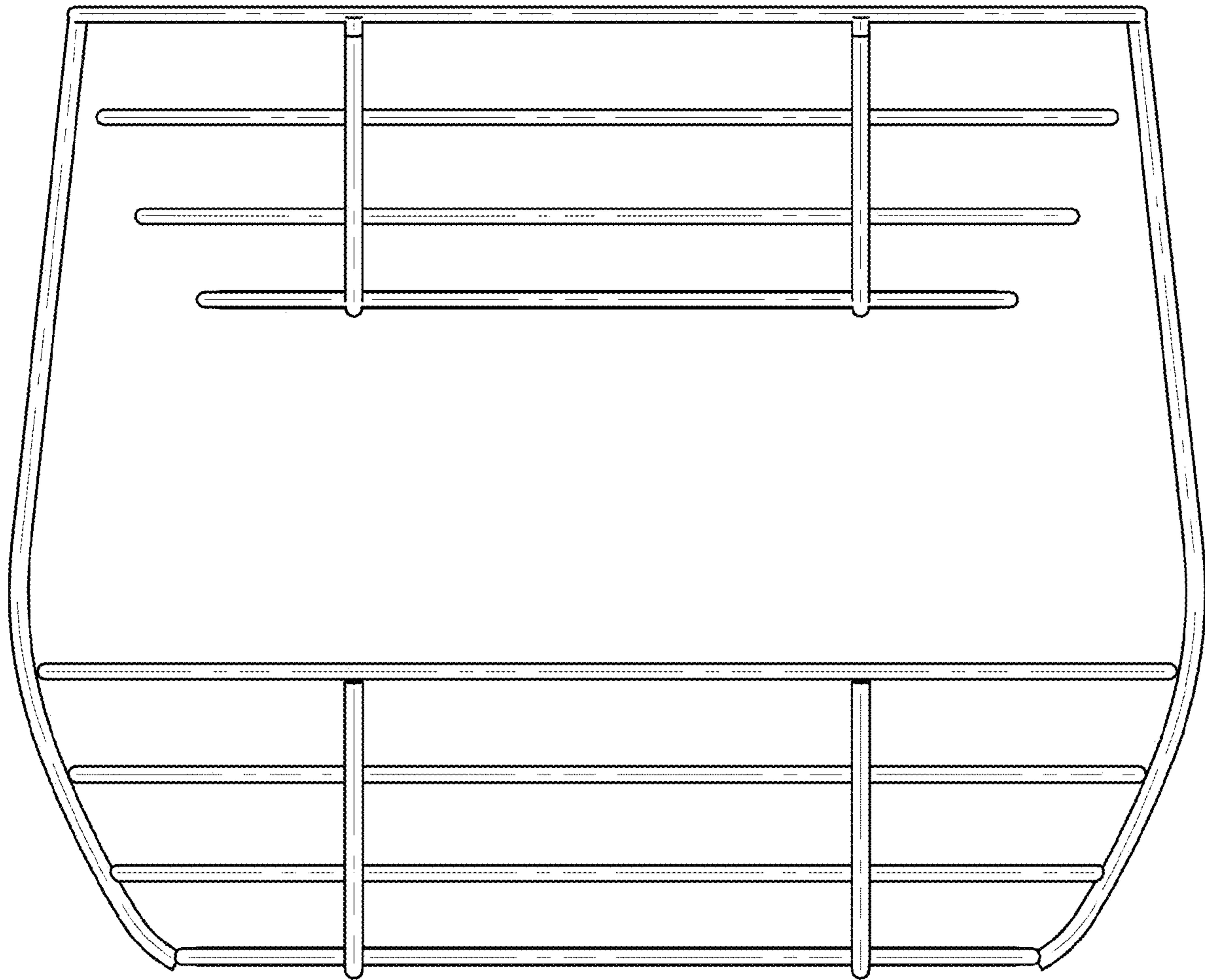


FIG. 3

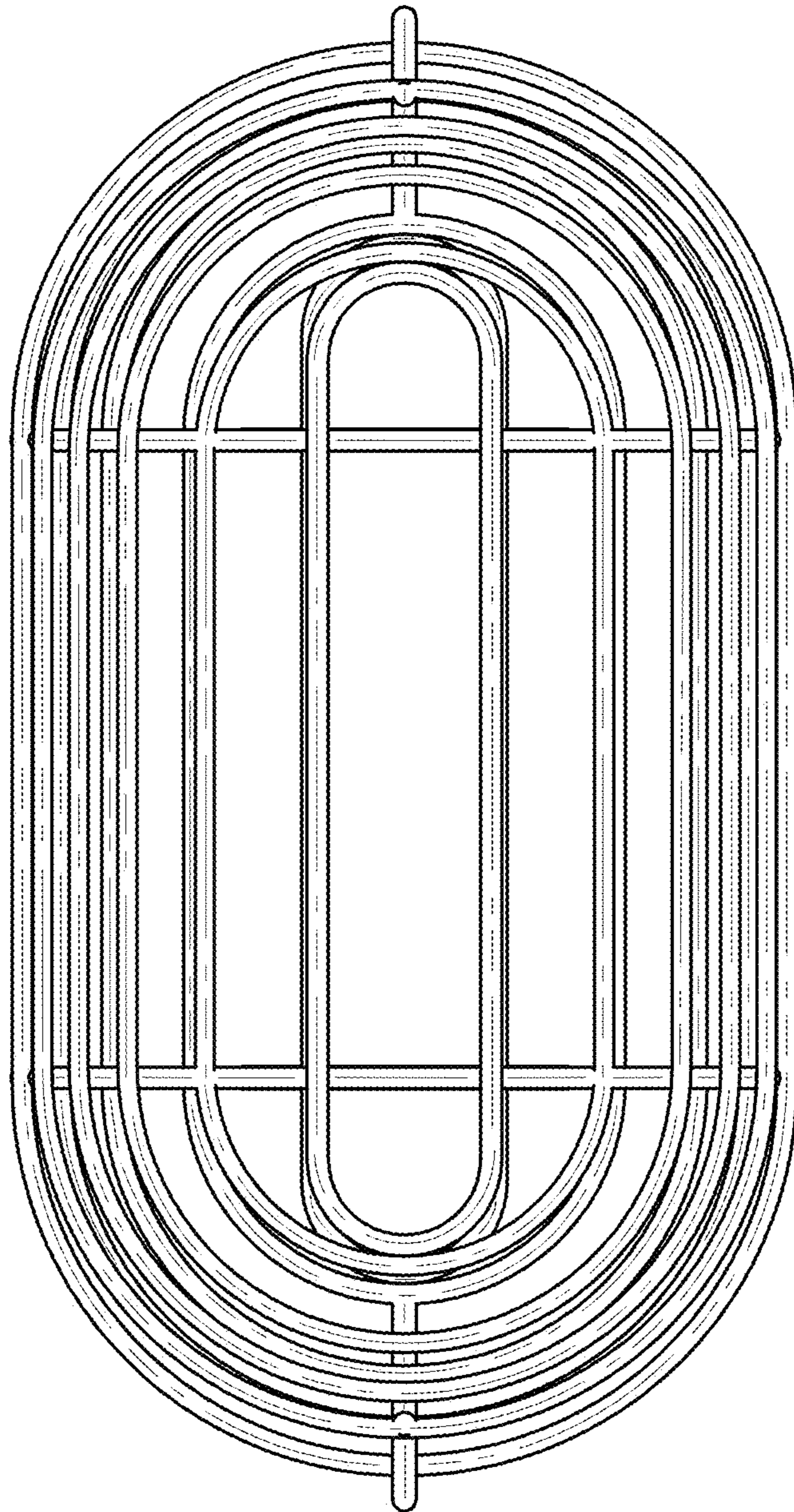


FIG. 4

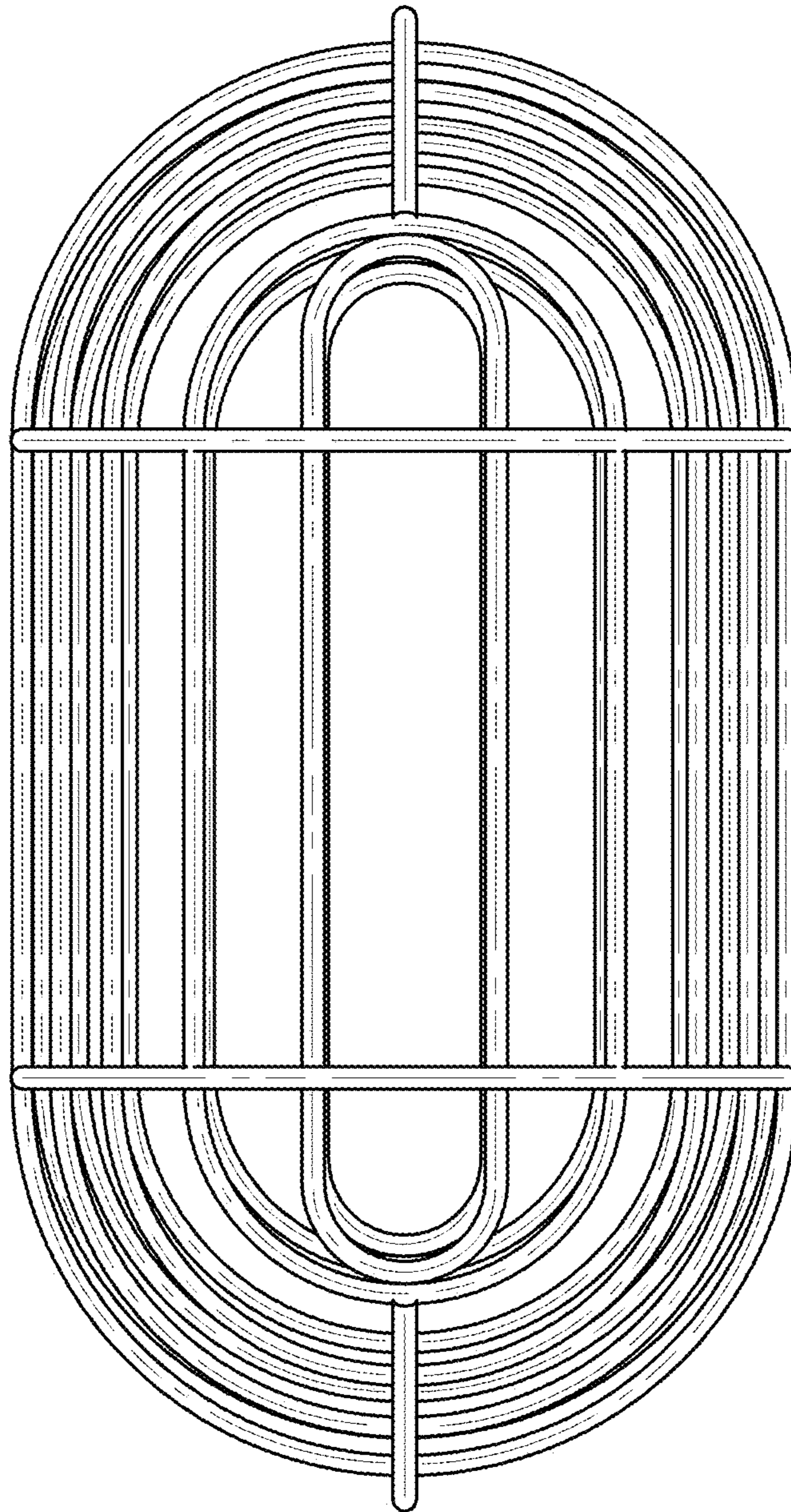


FIG. 5