



US00D918677S

(12) **United States Design Patent**
Wang

(10) **Patent No.:** **US D918,677 S**

(45) **Date of Patent:** **** May 11, 2021**

- (54) **WINE GLASS HOLDER**
- (71) Applicant: **Wuyi Manchen Stainless Steel Products Co., Ltd., Jinhua (CN)**
- (72) Inventor: **Chunxiao Wang, Jinhua (CN)**
- (73) Assignee: **Wuyi Manchen Stainless Steel Products Co., Ltd., Jinhua (CN)**

4,534,474 A *	8/1985	Ng	B25H 3/04
				206/501
4,947,991 A *	8/1990	Snell	A47B 13/16
				206/427
D329,359 S *	9/1992	Eggen	D19/77
D418,025 S *	12/1999	Peterson	D7/638
D634,541 S *	3/2011	Gutierrez	D3/313
D649,416 S *	11/2011	Tietjen	D7/707
D786,029 S *	5/2017	Pannell	D7/708
D880,964 S	4/2020	Wang		
D884,441 S	5/2020	Eiler		

(**) Term: **15 Years**

* cited by examiner

(21) Appl. No.: **29/759,852**

Primary Examiner — Terry A Wallace

(22) Filed: **Nov. 25, 2020**

(74) *Attorney, Agent, or Firm* — ScienBiziP, P.C.

(51) **LOC (13) Cl.** **06-04**

(57) **CLAIM**

(52) **U.S. Cl.**
USPC **D7/701**

The ornamental design for a wine glass holder, as shown and described.

(58) **Field of Classification Search**
 USPC D7/701, 707, 708, 637-641; D3/313;
 D6/512, 552, 672, 569, 682.2, 552.2, 525,
 D6/527, 528, 534, 535
 CPC A47G 23/0641; A47G 23/06; A47G 23/02;
 A47G 23/0208; A47G 23/0241; A47B
 73/00; A47B 73/006; A47F 5/16; A47F
 7/28; A47F 7/283; B25H 3/04
 See application file for complete search history.

DESCRIPTION

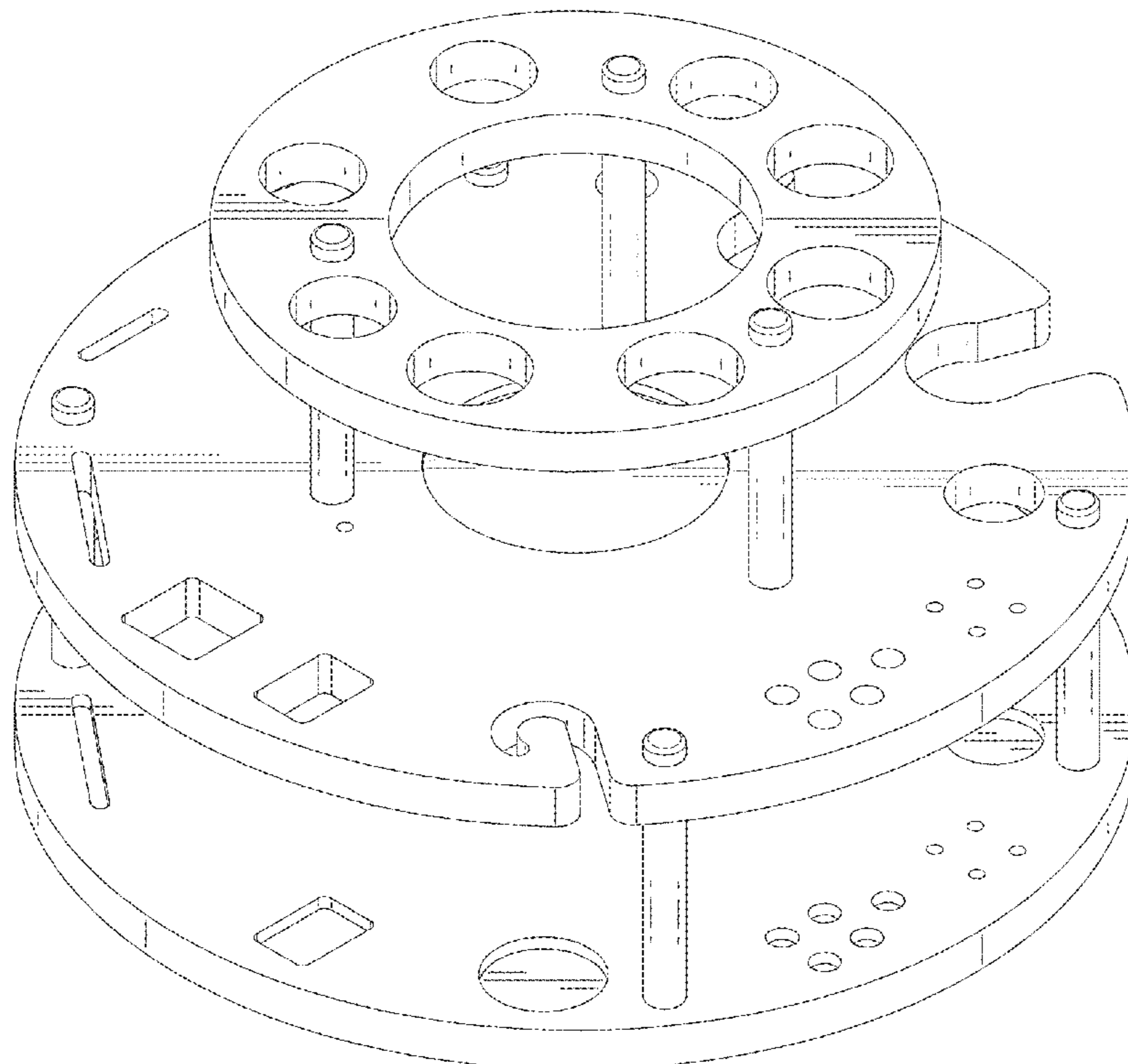
FIG. 1 is a top perspective view of a wine glass holder, showing my design.
 FIG. 2 is a bottom perspective view thereof.
 FIG. 3 is a front elevation view thereof.
 FIG. 4 is a rear elevation view thereof.
 FIG. 5 is a left side elevation thereof.
 FIG. 6 is a right side elevation thereof.
 FIG. 7 is a top plan view thereof; and,
 FIG. 8 is a bottom plan view thereof.
 The broken lines shown in the drawings are included for the purpose of illustrating portions of the wine glass holder that form no part of the claimed design.

(56) **References Cited**

U.S. PATENT DOCUMENTS

D127,900 S *	6/1941	Block	D6/699
D198,098 S *	4/1964	Kaneko	D6/569
D231,594 S *	5/1974	Demers	D7/701

1 Claim, 8 Drawing Sheets



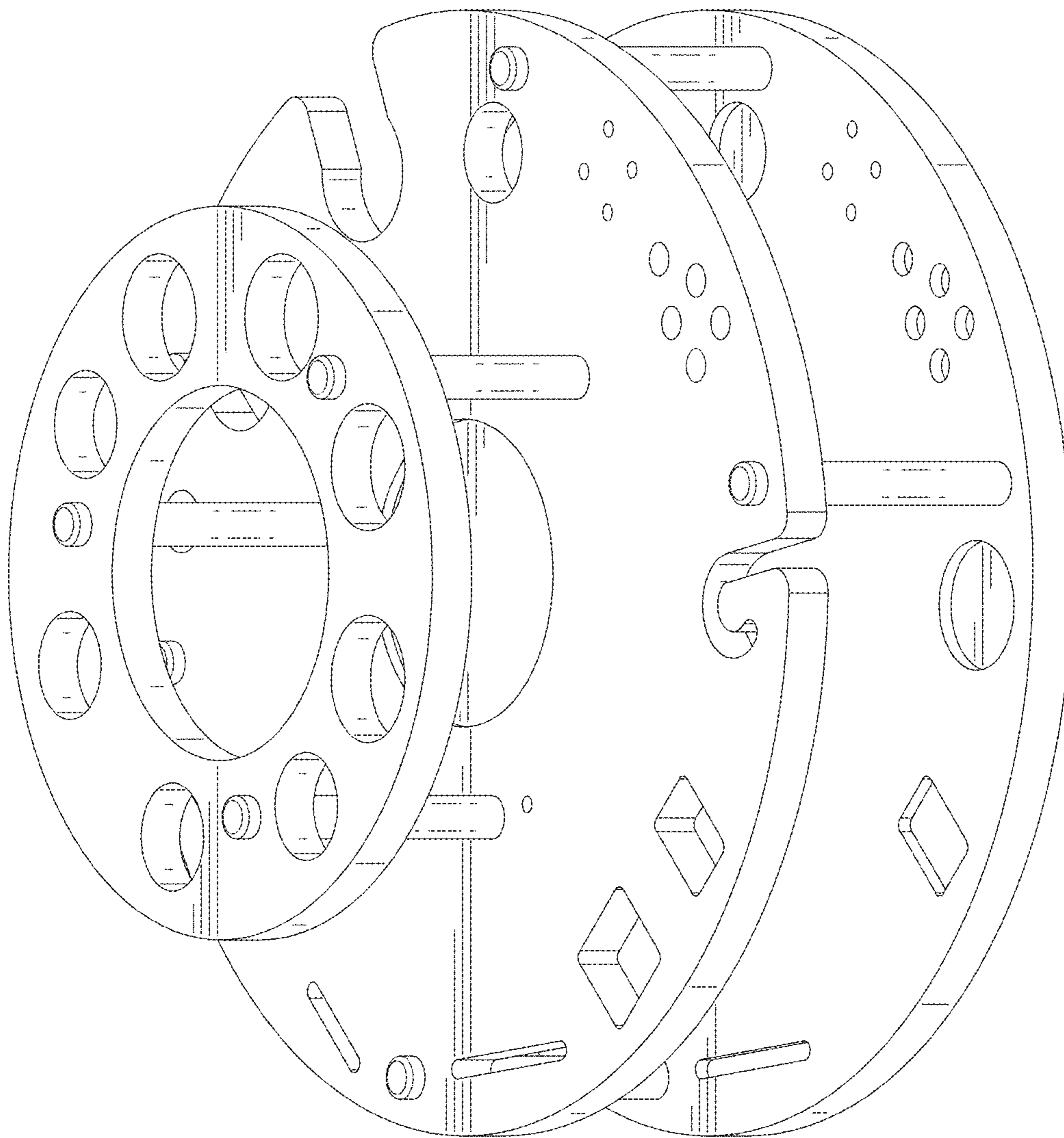


FIG. 1

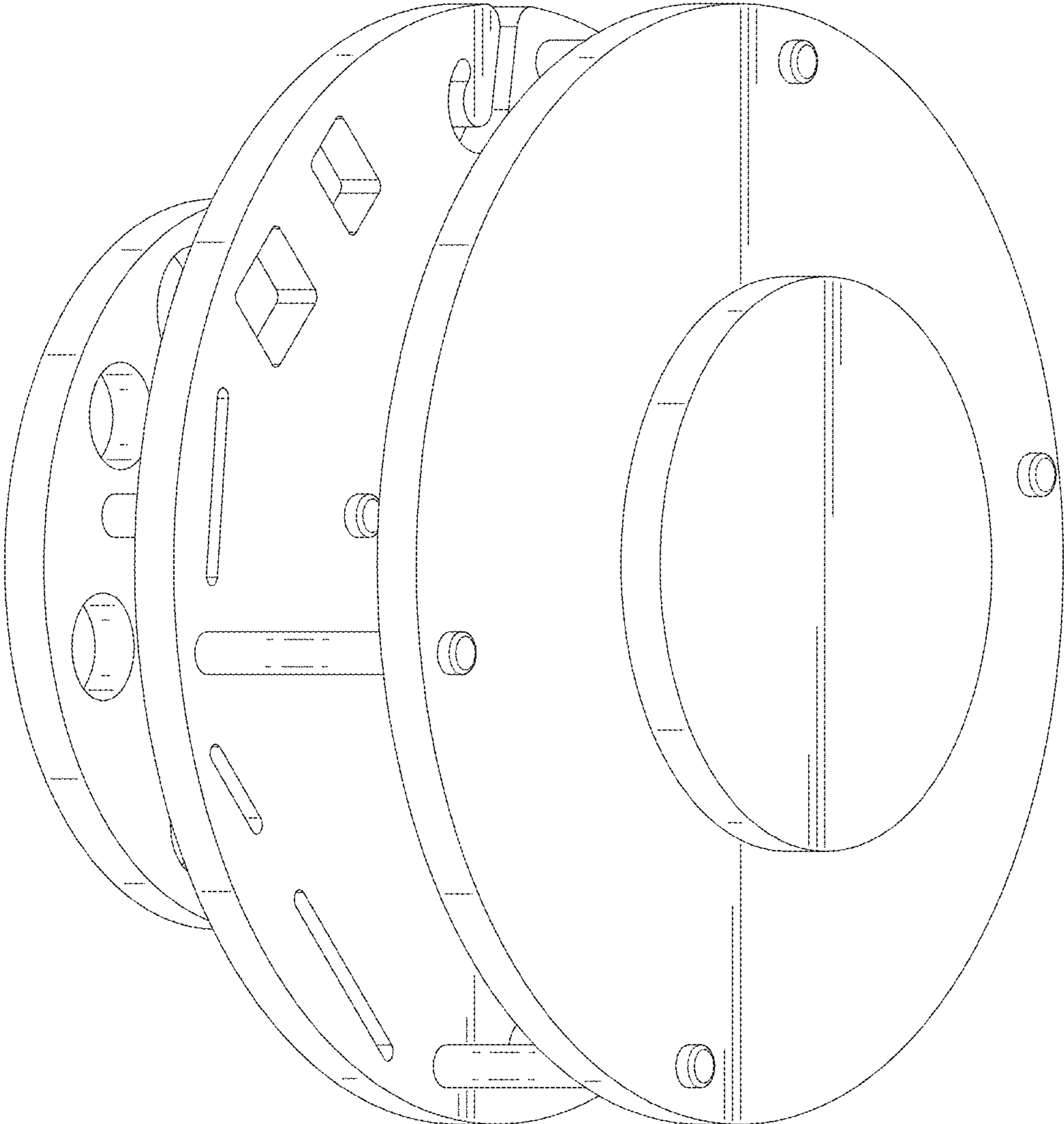


FIG. 2

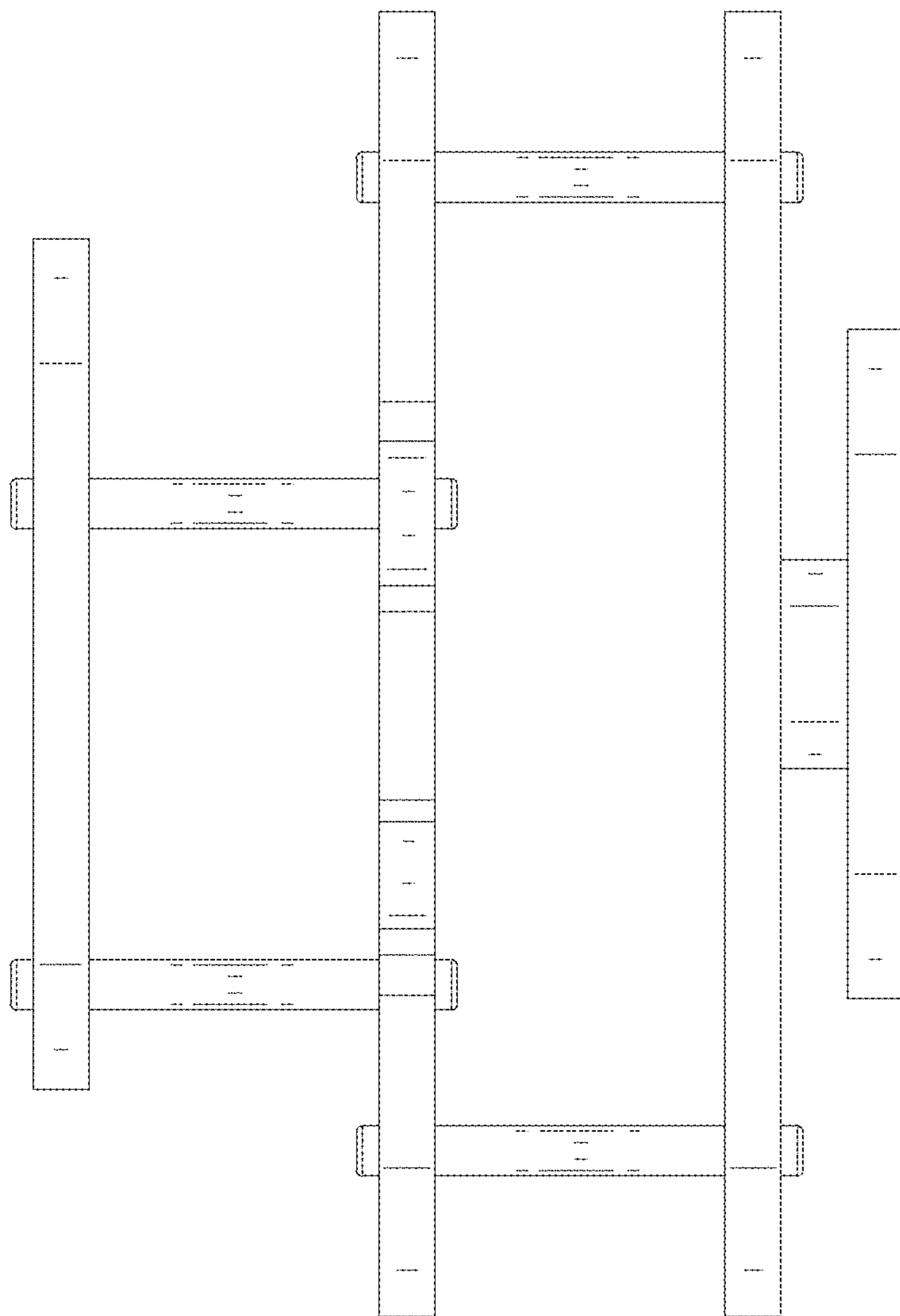


FIG. 3

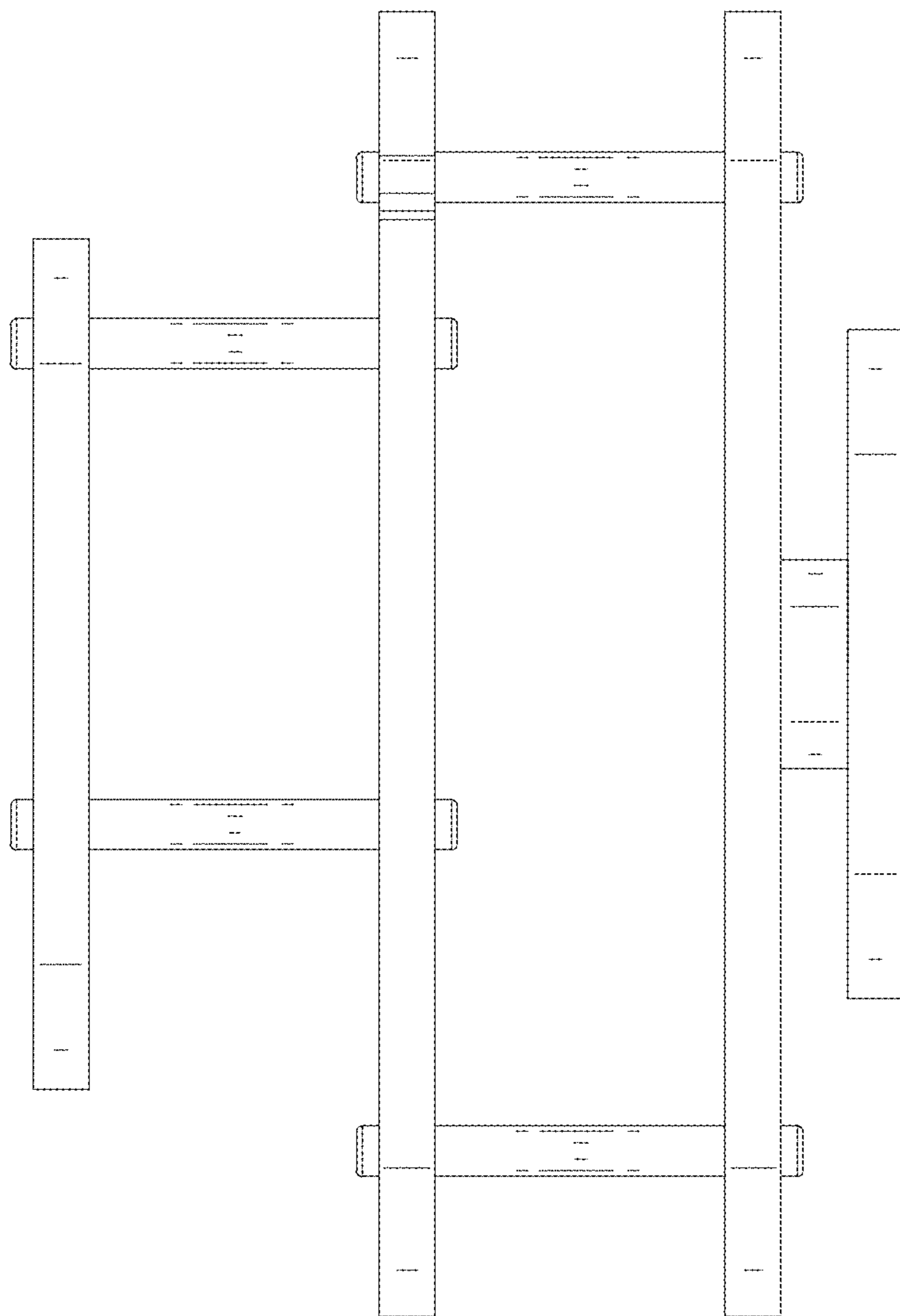


FIG. 4

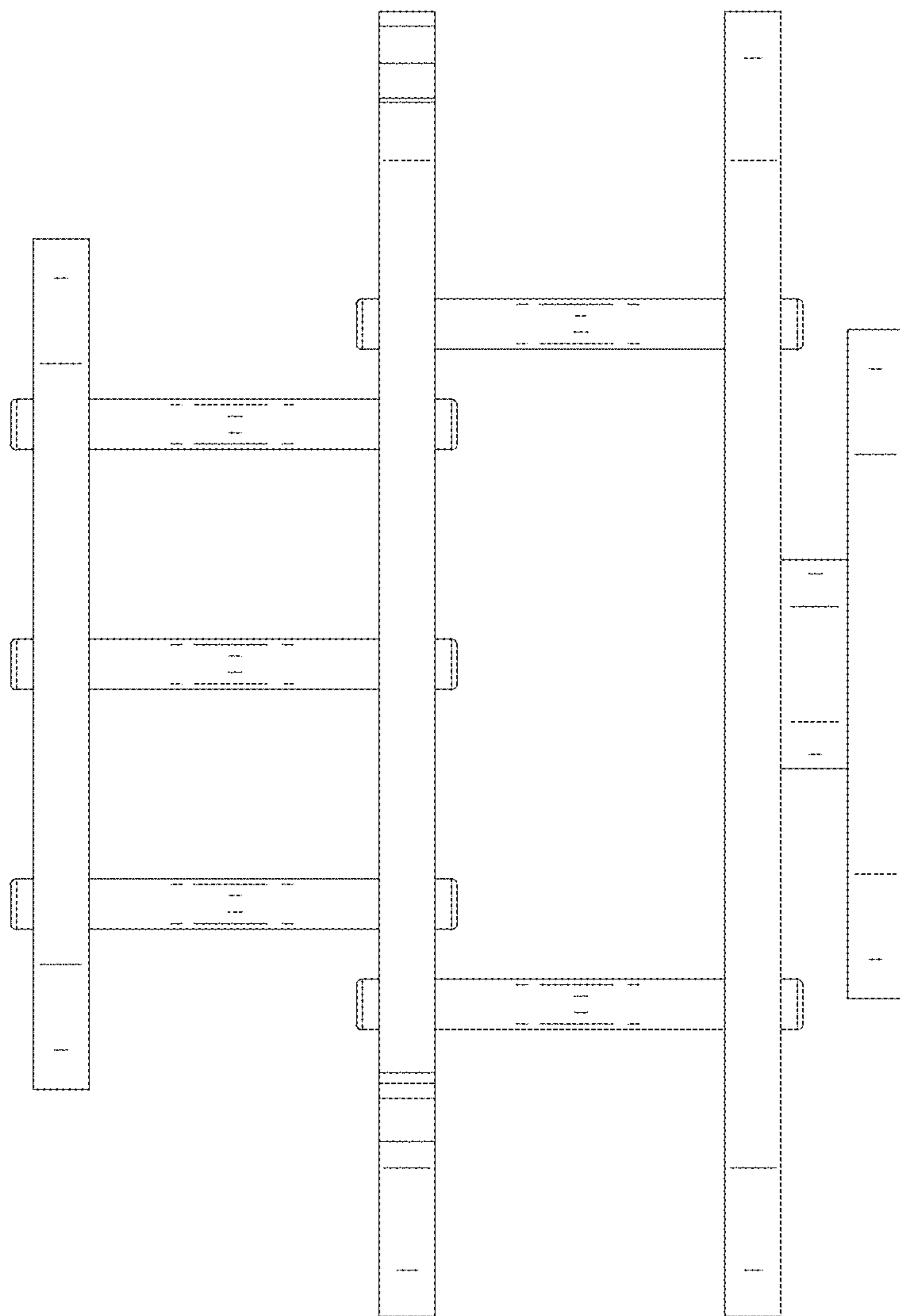


FIG. 5

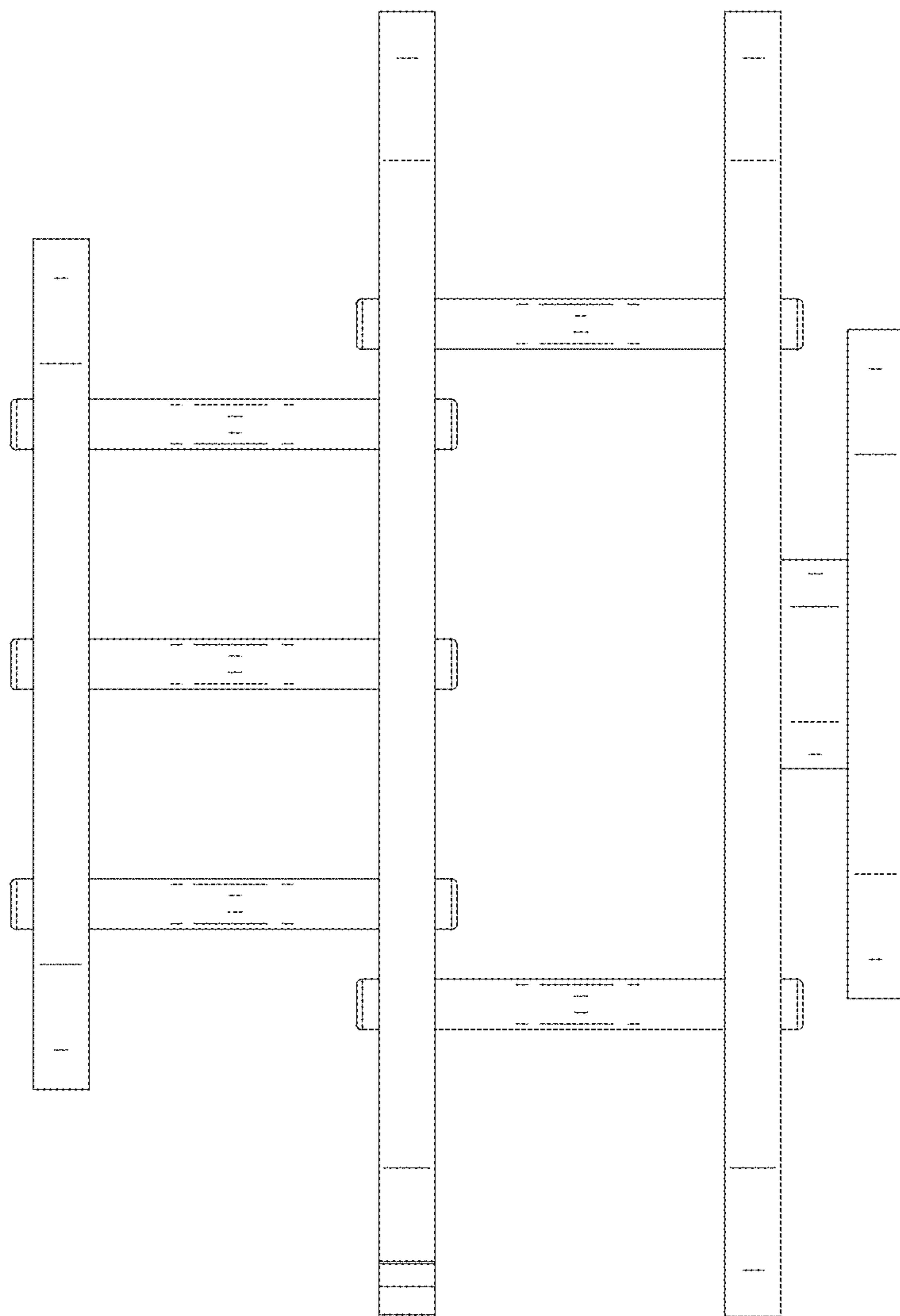


FIG.6

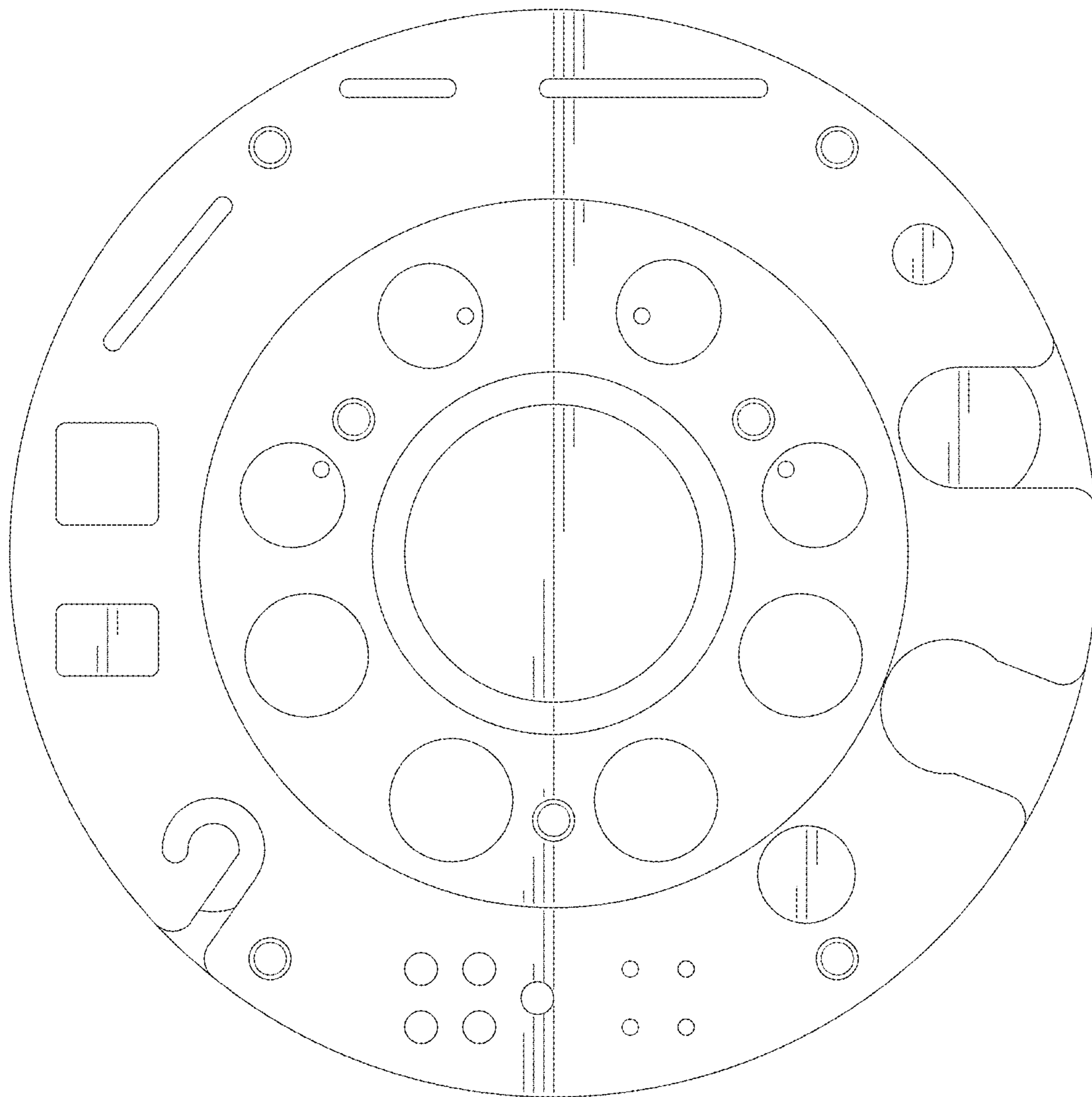


FIG. 7

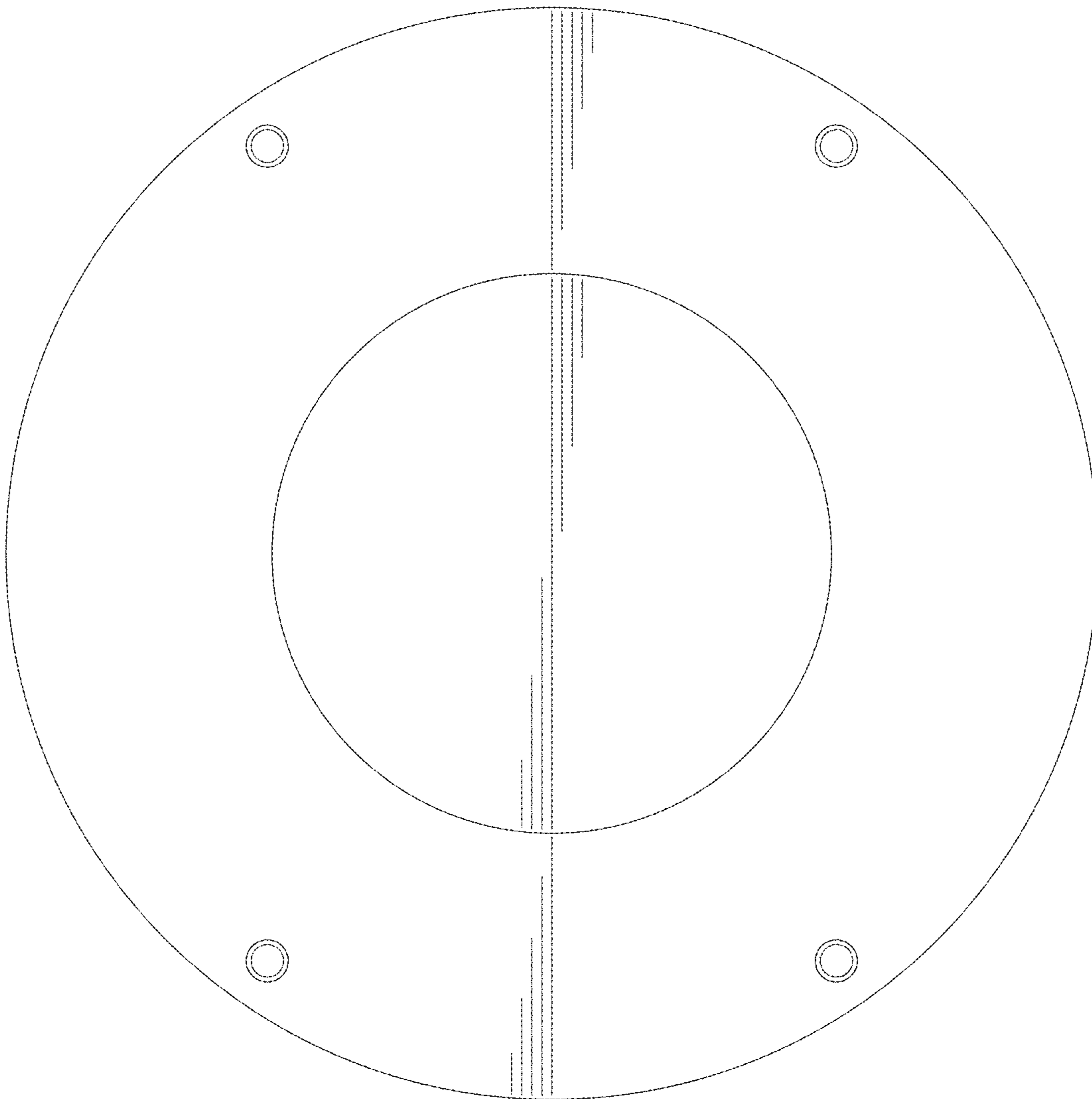


FIG. 8