



US00D918676S

(12) **United States Design Patent** (10) **Patent No.:** **US D918,676 S**  
**Kim et al.** (45) **Date of Patent:** **\*\* May 11, 2021**

(54) **VEGETABLE PEELER**

D859,096 S \* 9/2019 Umholtz ..... D7/695  
2004/0117991 A1\* 6/2004 Haberstroh ..... A47J 17/02  
30/279.6  
2005/0262703 A1\* 12/2005 Best ..... A47J 17/02  
30/279.6

(71) Applicant: **Helen of Troy Limited**, St. Michael (BB)

(72) Inventors: **Min Kim**, Jersey City, NJ (US);  
**Edward Lee**, Brooklyn, NY (US);  
**Mason Adam Umholtz**, Sunnyvale, CA (US); **Marc-Aurelien Vivant**, Brooklyn, NY (US)

FOREIGN PATENT DOCUMENTS

WO D040355-004 \* 6/1997  
WO D063179-003 \* 3/2003

(73) Assignee: **Helen of Troy Limited**, St. Michael (BB)

OTHER PUBLICATIONS

OXO Good Grips Julienne Peeler. Online, published date Jun. 6, 2018. Retrieved on Sep. 30, 2020 from URL: [https://www.youtube.com/watch?v=\\_wqMaN6zTWM](https://www.youtube.com/watch?v=_wqMaN6zTWM).  
<https://www.oxo.com/julienne-peeler-351.html>, publicly available prior to Aug. 18, 2019.

(\*\*) Term: **15 Years**

\* cited by examiner

(21) Appl. No.: **29/702,267**

(22) Filed: **Aug. 18, 2019**

*Primary Examiner* — Janice Hallmark  
*Assistant Examiner* — Omeed Agilee  
(74) *Attorney, Agent, or Firm* — Rankin, Hill & Clark LLP

(51) **LOC (13) Cl.** ..... **07-06**

(52) **U.S. Cl.**  
USPC ..... **D7/695**; D7/693

(58) **Field of Classification Search**  
USPC ..... D7/368, 393, 395, 669, 680–696  
CPC ..... A47J 17/02; A47J 45/061; A47J 43/288;  
B26D 1/03

See application file for complete search history.

(57) **CLAIM**

The ornamental design for a vegetable peeler, as shown, and described.

(56) **References Cited**

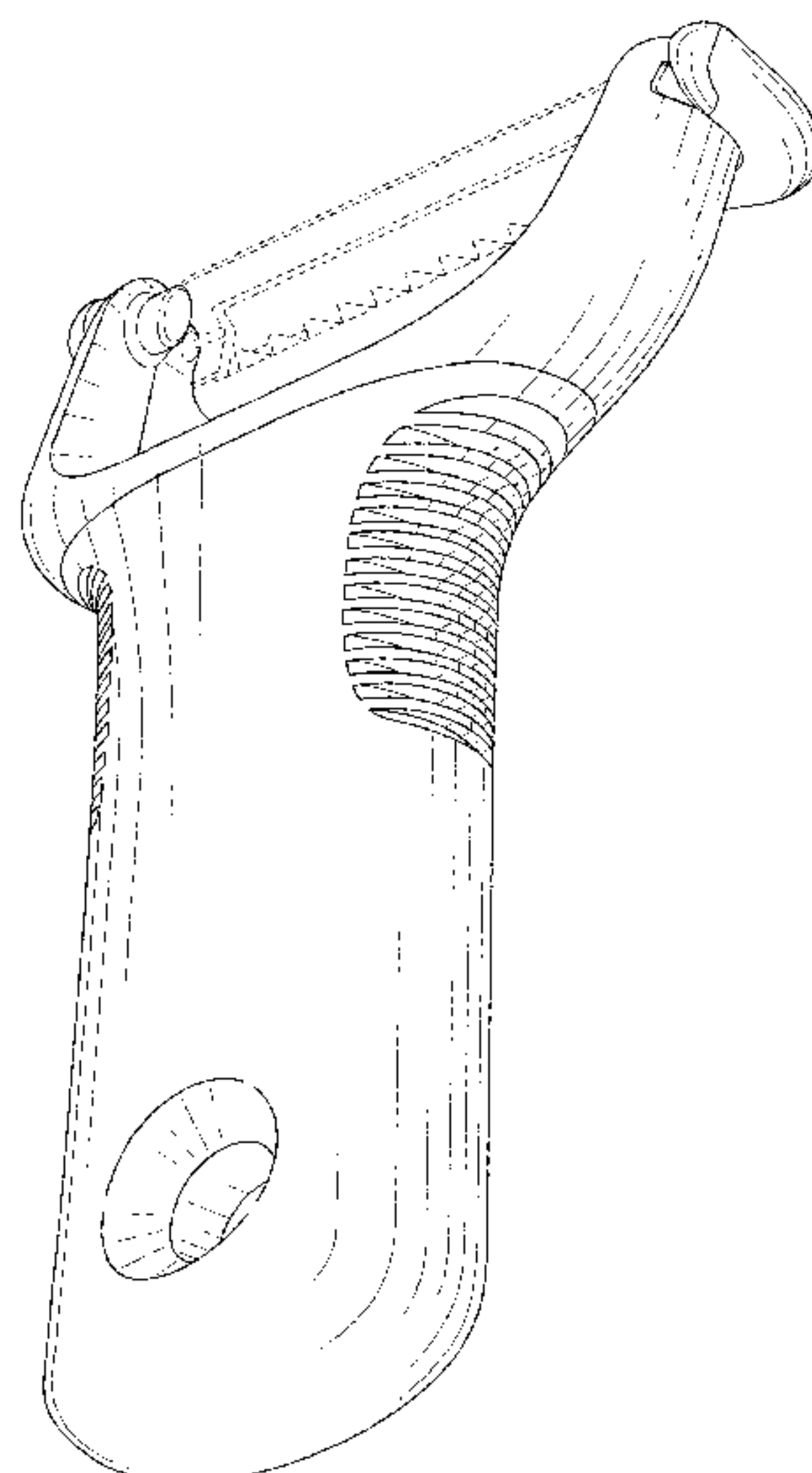
U.S. PATENT DOCUMENTS

D332,034 S \* 12/1992 Viemeister ..... D7/695  
D403,928 S \* 1/1999 Joergensen ..... D7/695  
D407,277 S \* 3/1999 Cousins ..... D7/695  
D427,044 S \* 6/2000 White ..... D7/393  
D563,738 S \* 3/2008 Michaelian ..... D7/695  
D674,253 S \* 1/2013 Spiegel ..... D7/695  
D674,254 S \* 1/2013 Spiegel ..... D7/695  
D720,191 S \* 12/2014 Bhasin ..... D7/695  
D766,681 S \* 9/2016 Hartshorn ..... D7/695  
D859,092 S \* 9/2019 Evans ..... D7/695  
D859,093 S \* 9/2019 Umholtz ..... D7/695  
D859,094 S \* 9/2019 Umholtz ..... D7/695  
D859,095 S \* 9/2019 Umholtz ..... D7/695

**DESCRIPTION**

FIG. 1 is a perspective view of a vegetable peeler;  
FIG. 2 is a front view thereof;  
FIG. 3 is a rear view thereof;  
FIG. 4 is a right elevation view thereof, the left elevation view being a mirror image thereof;  
FIG. 5 is a top plan view thereof; and,  
FIG. 6 is a bottom plan view thereof.  
The broken lines in the drawings depict portions of the vegetable peeler that form no part of the claimed design.

**1 Claim, 6 Drawing Sheets**



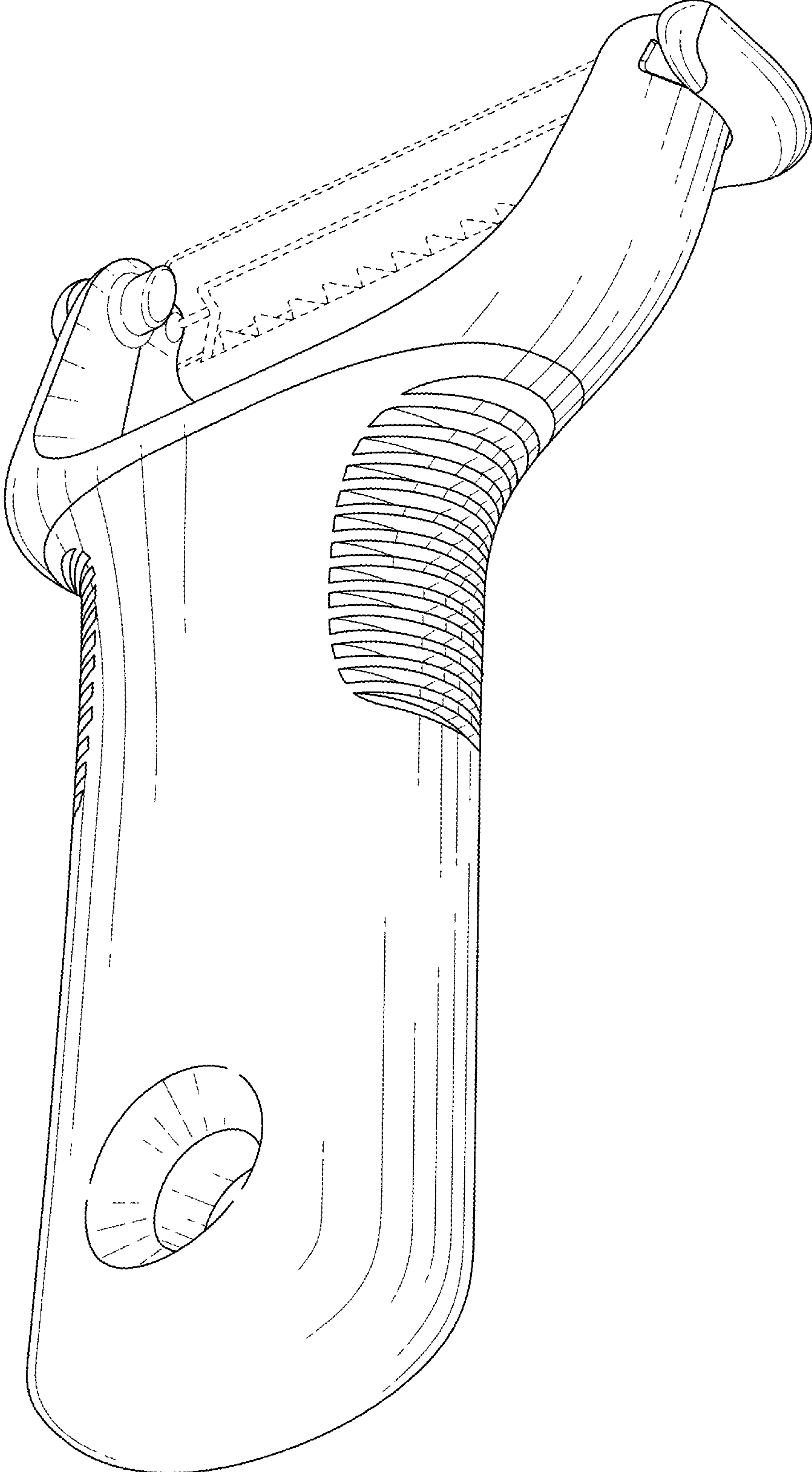


FIG. 1

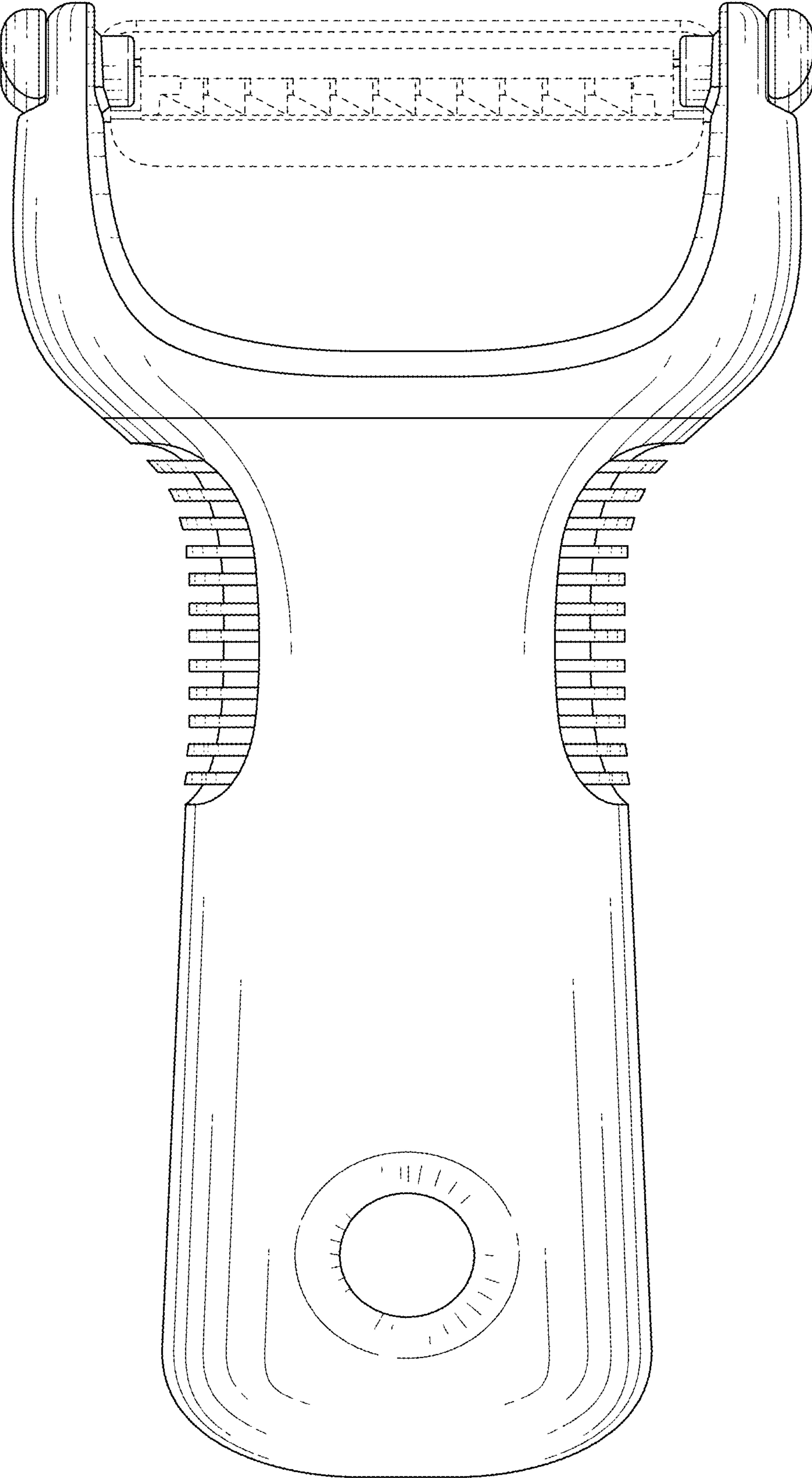


FIG. 2

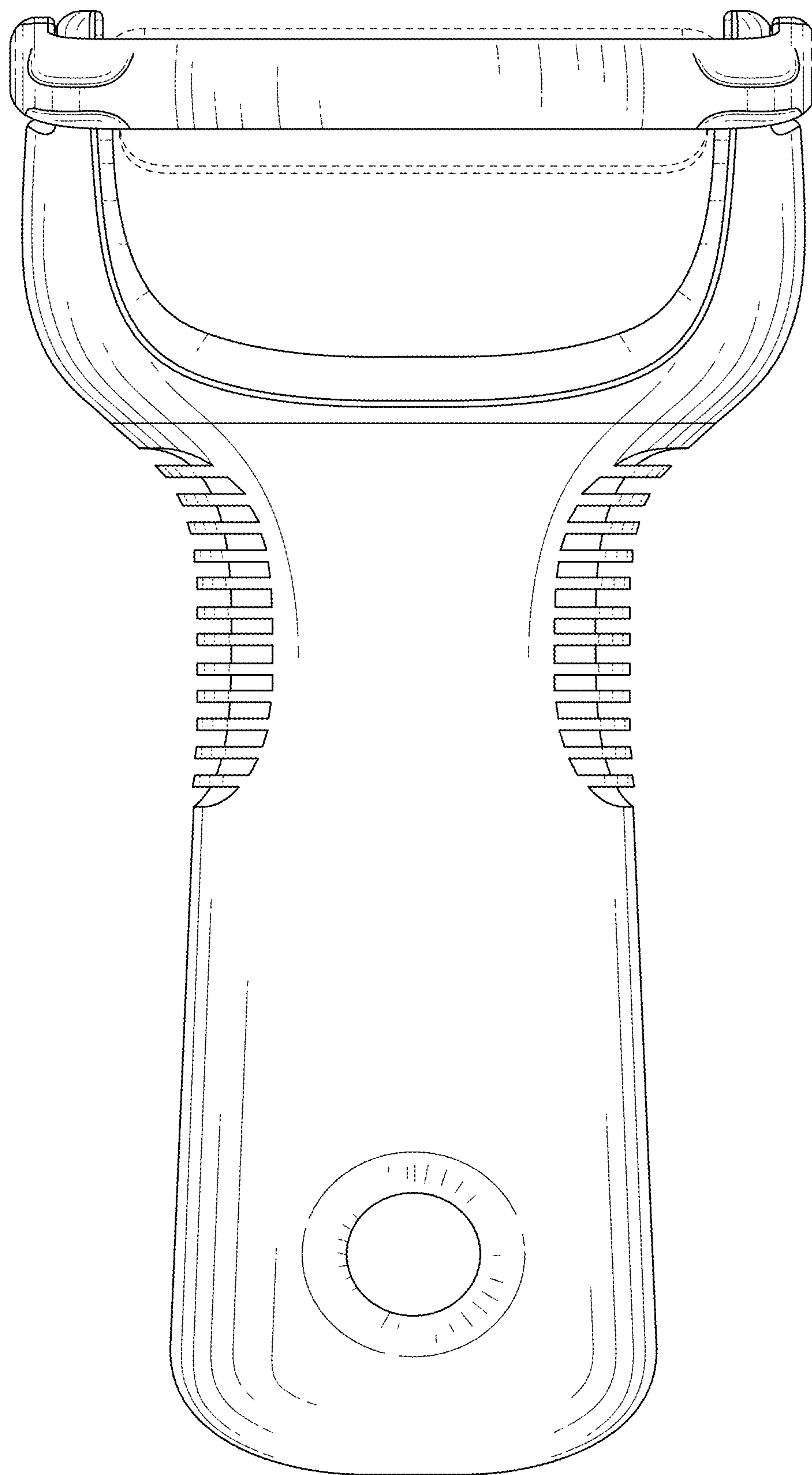


FIG. 3



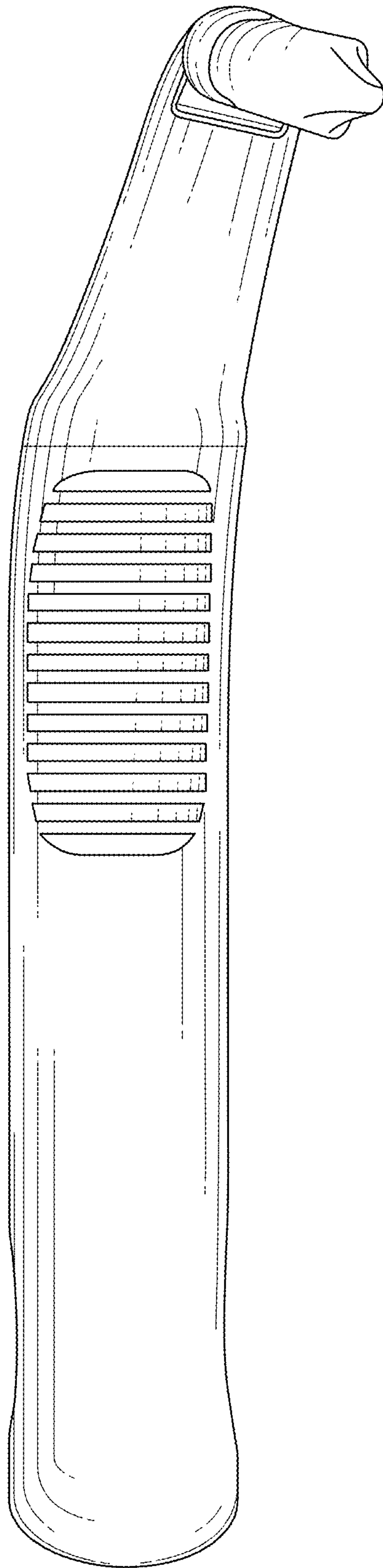


FIG. 4

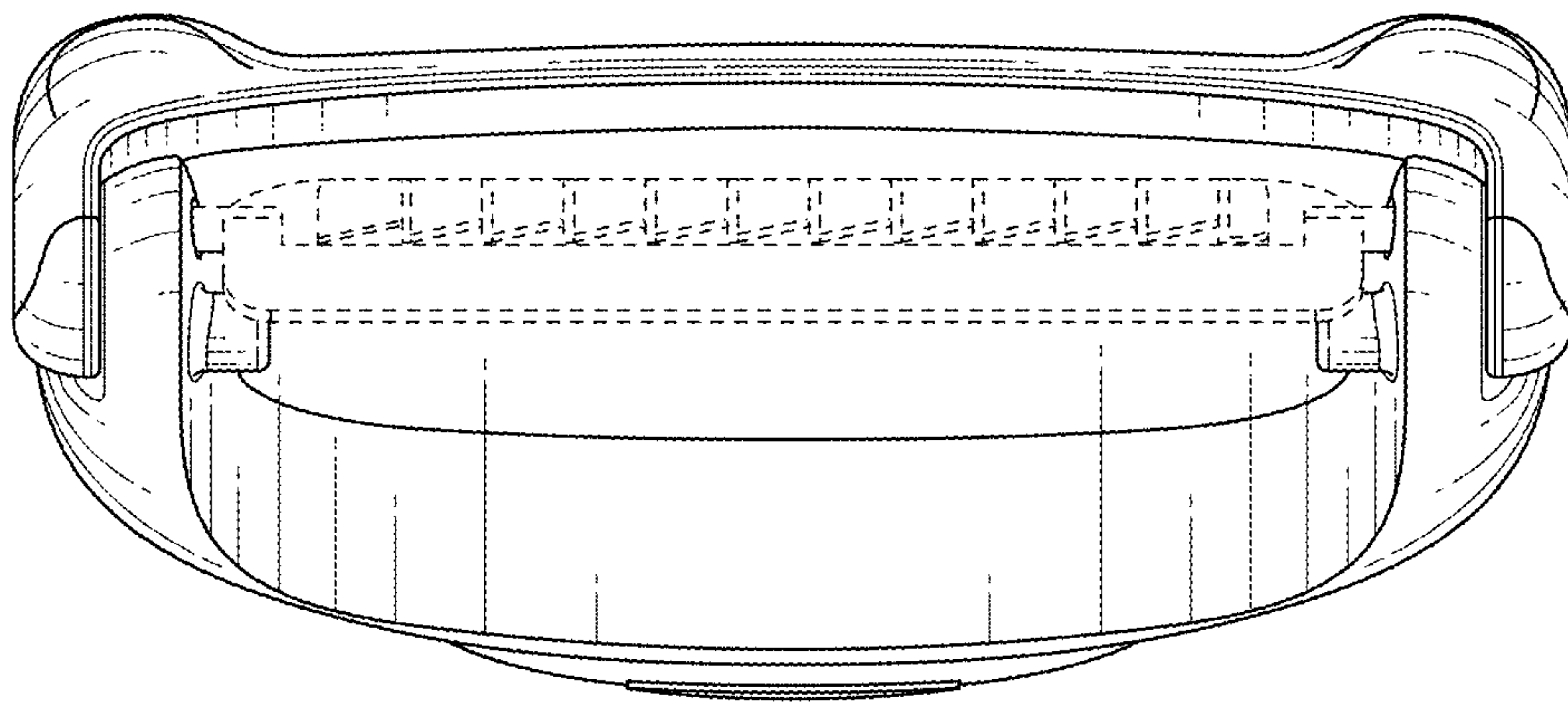


FIG. 5

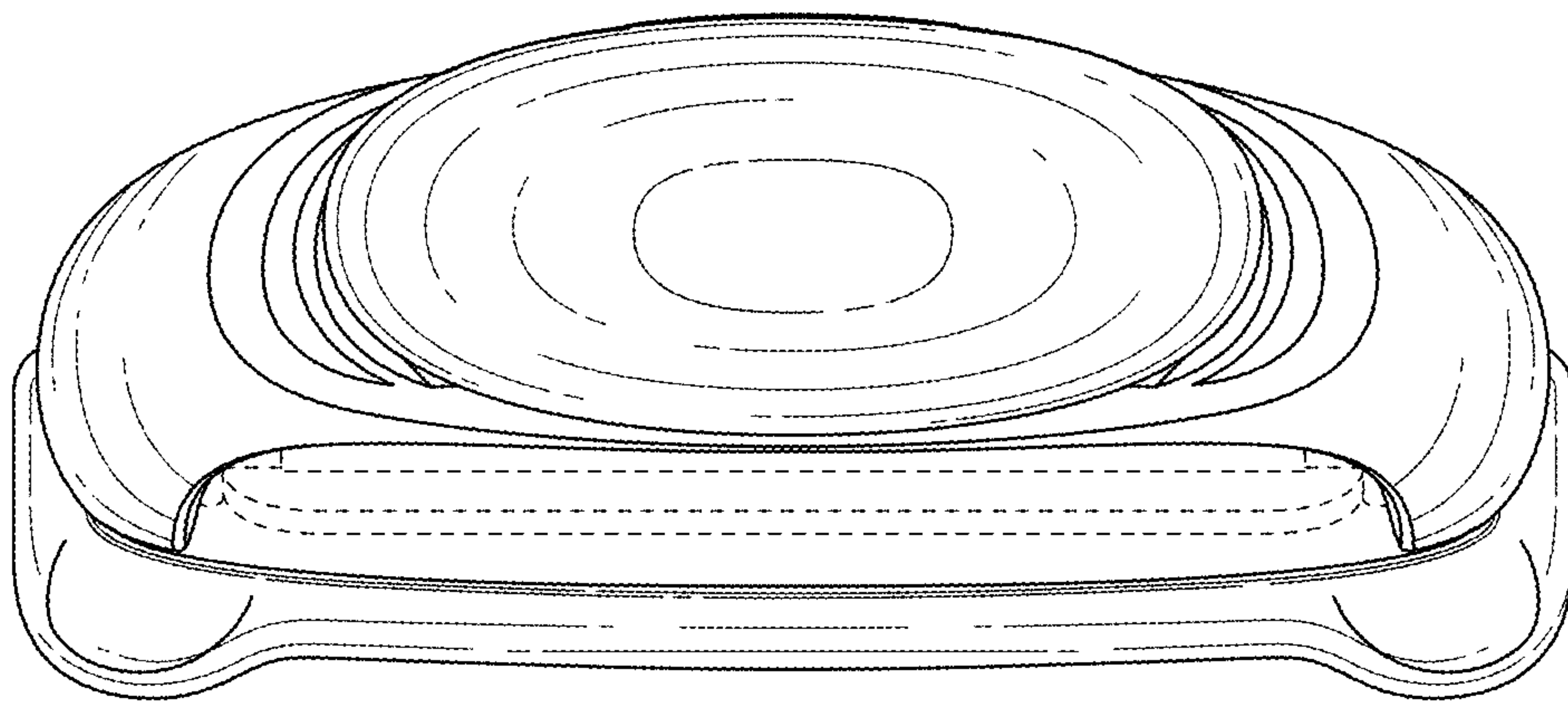


FIG. 6