



US00D918674S

(12) **United States Design Patent** (10) **Patent No.:** **US D918,674 S**
Xie (45) **Date of Patent:** **** May 11, 2021**

(54) **SPATULA FOR COOKING**

(71) Applicant: **Shenzhenshi Baozhixia Keji youxiangongsi**, Shenzhen Guangdong (CN)

(72) Inventor: **Zhixia Xie**, Guangdong Province (CN)

(**) Term: **15 Years**

(21) Appl. No.: **29/749,589**

(22) Filed: **Sep. 8, 2020**

(51) **LOC (13) Cl.** **07-04**

(52) **U.S. Cl.**
USPC **D7/692**

(58) **Field of Classification Search**
USPC D7/688-692, 669, 368
CPC A21B 3/003; A47G 21/045; A47G 21/04; A47G 21/02; A47G 21/023; A47G 21/026; A47J 43/288; A47J 43/283; A47J 43/281; A47J 43/28; A47J 43/00; A47J 43/282; A47J 43/285; A47F 13/08; A61J 7/0023

See application file for complete search history.

(56) **References Cited**

U.S. PATENT DOCUMENTS

D268,243 S * 3/1983 Morin D7/692
D306,115 S * 2/1990 Zimmerman D7/669

D689,346 S * 9/2013 Lion D7/692
D823,653 S 7/2018 Jaggard et al.
2003/0122388 A1* 7/2003 Yeung A47J 43/288
294/7

* cited by examiner

Primary Examiner — Terry A Wallace

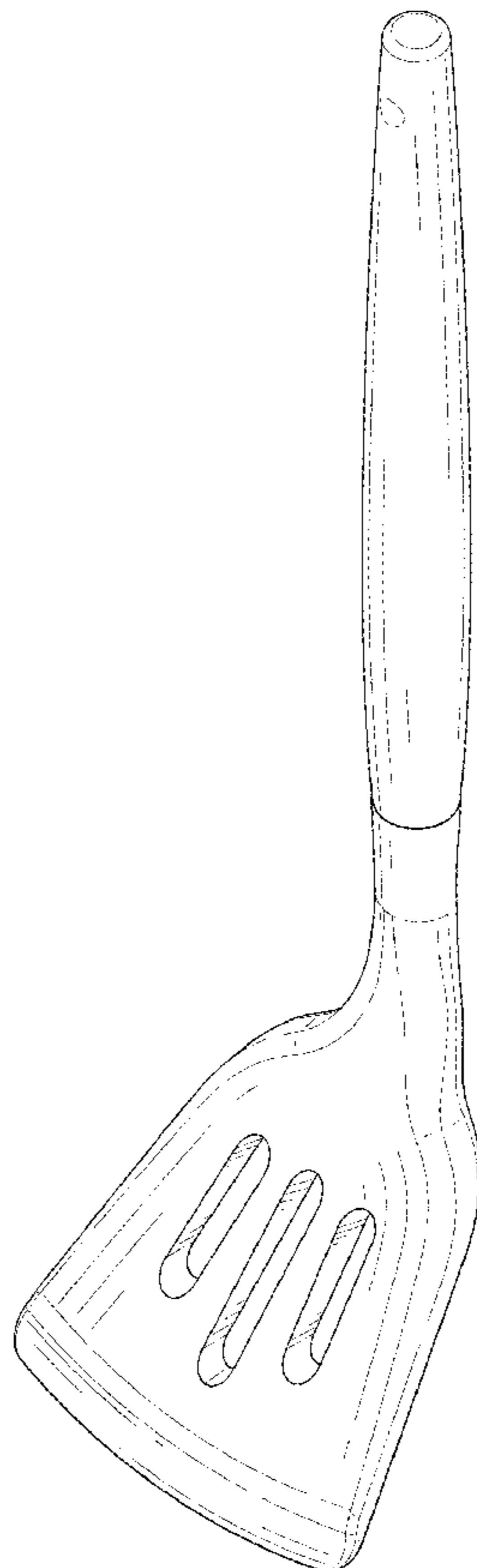
(57) **CLAIM**

The ornamental design for a spatula for cooking, as shown and described.

DESCRIPTION

FIG. 1 is a front and top perspective view of a spatula for cooking, showing my new design;
FIG. 2 is a rear and bottom perspective view thereof;
FIG. 3 is a front elevational view thereof;
FIG. 4 is a rear elevational view thereof;
FIG. 5 is a left side elevational view thereof;
FIG. 6 is a right side elevational view thereof;
FIG. 7 is a top plan view thereof; and,
FIG. 8 is a bottom plan view thereof.
The broken lines in the figures illustrate portions of the article that form no part of the claimed design.

1 Claim, 8 Drawing Sheets



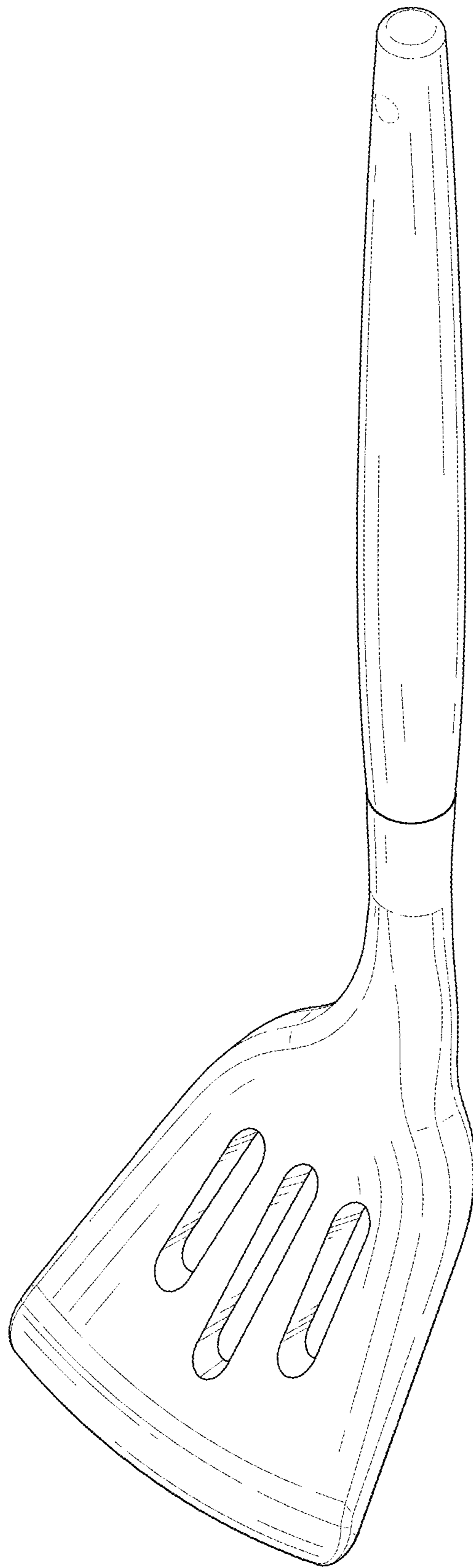


FIG. 1

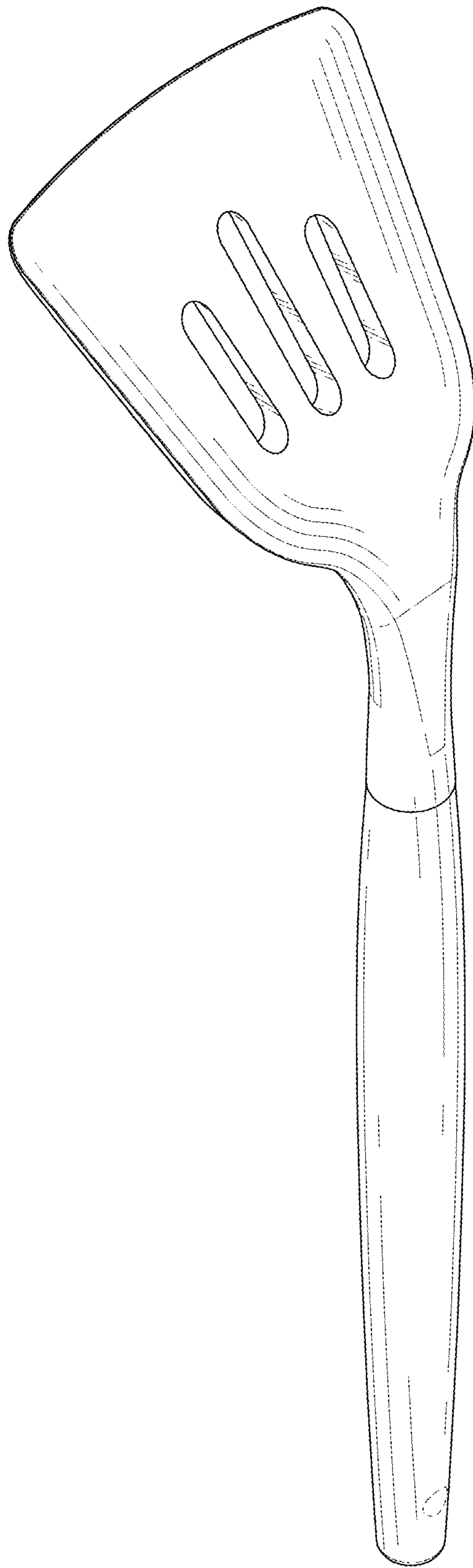


FIG. 2

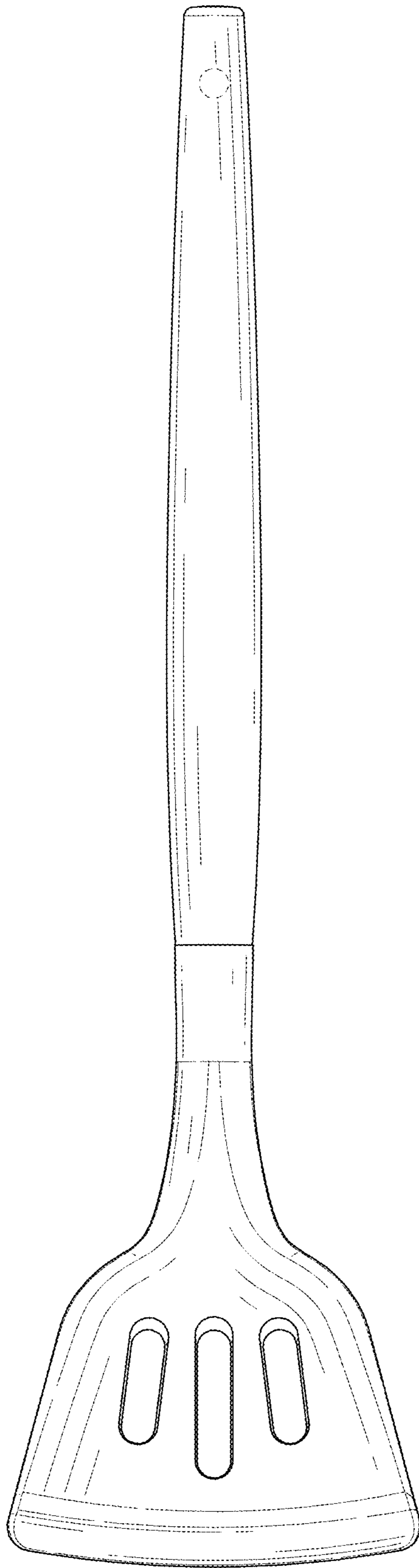


FIG. 3

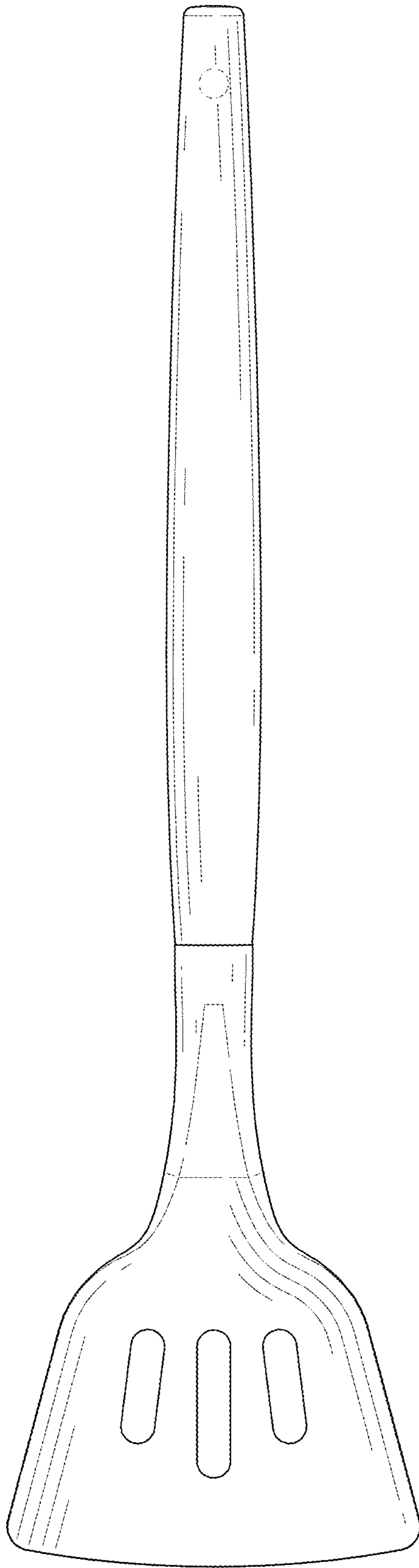


FIG. 4

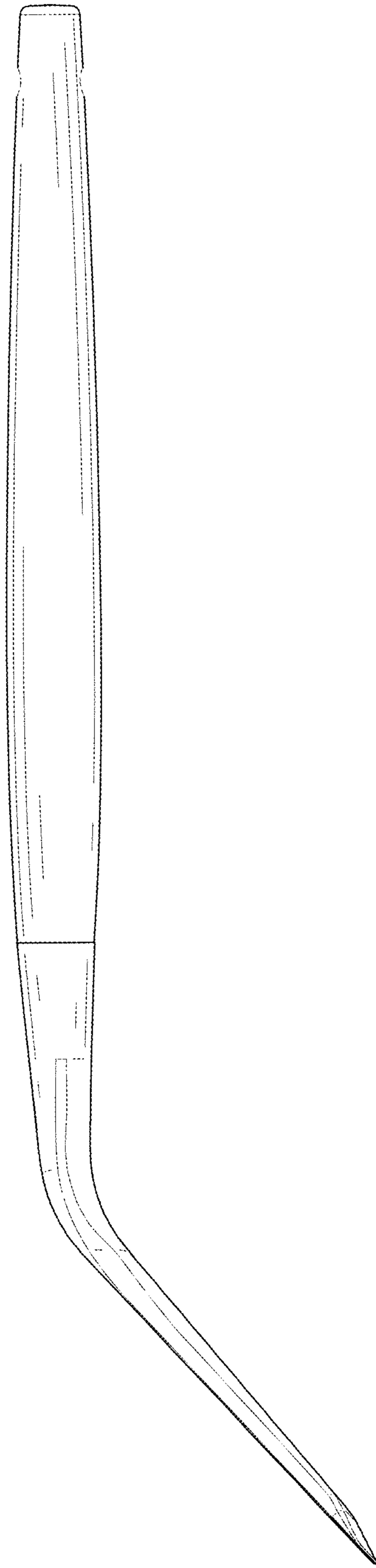


FIG. 5

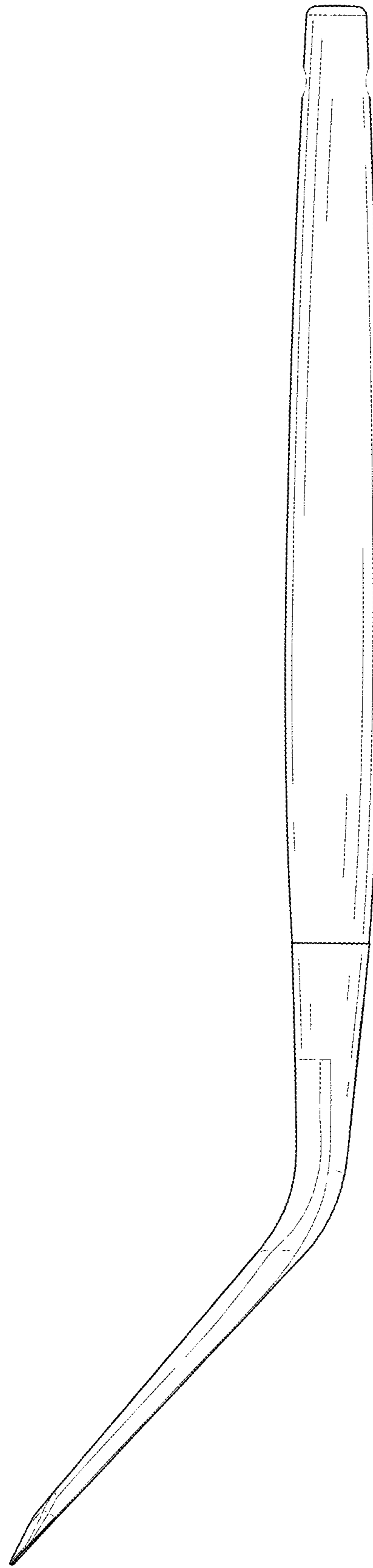


FIG. 6

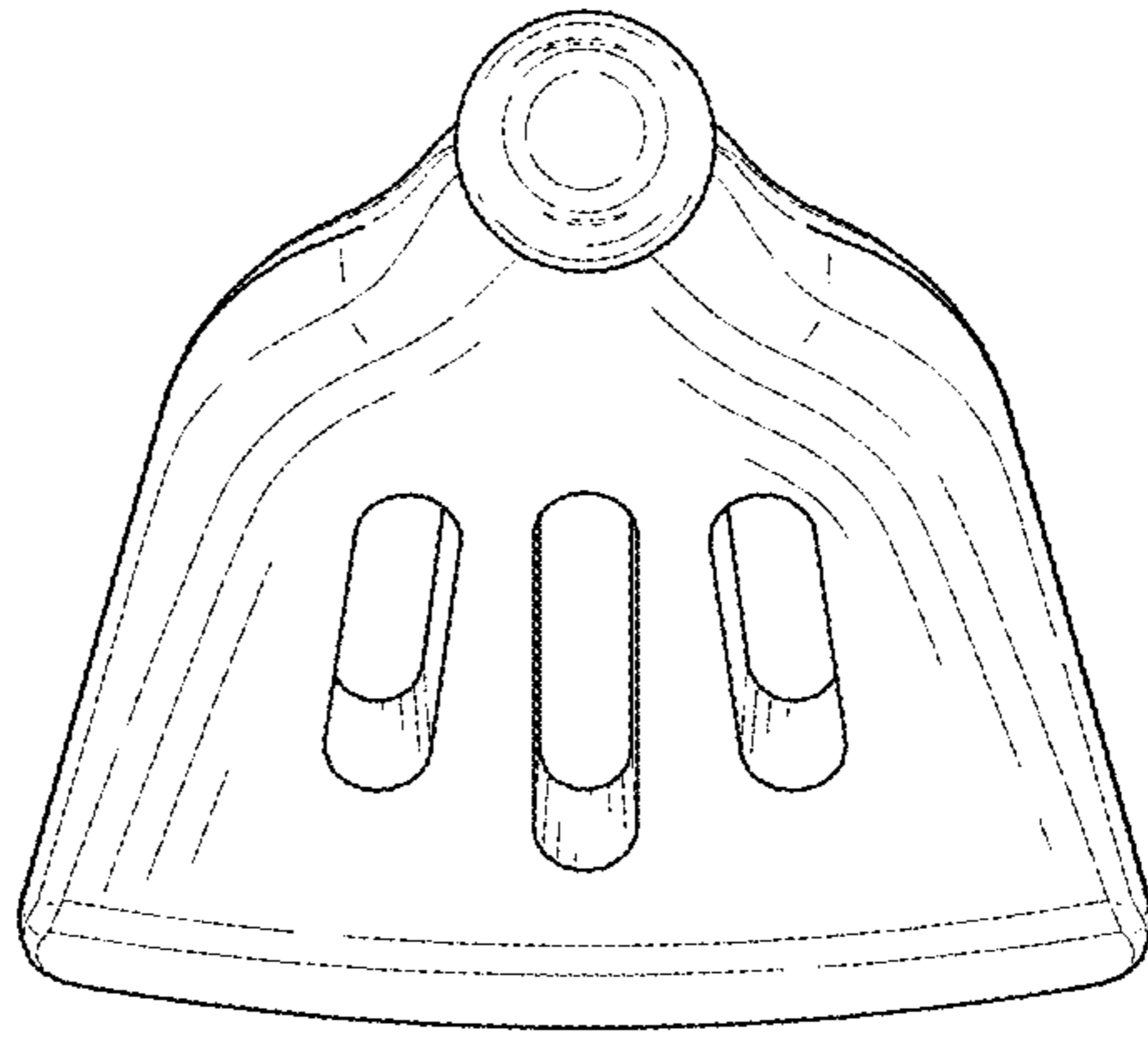


FIG. 7

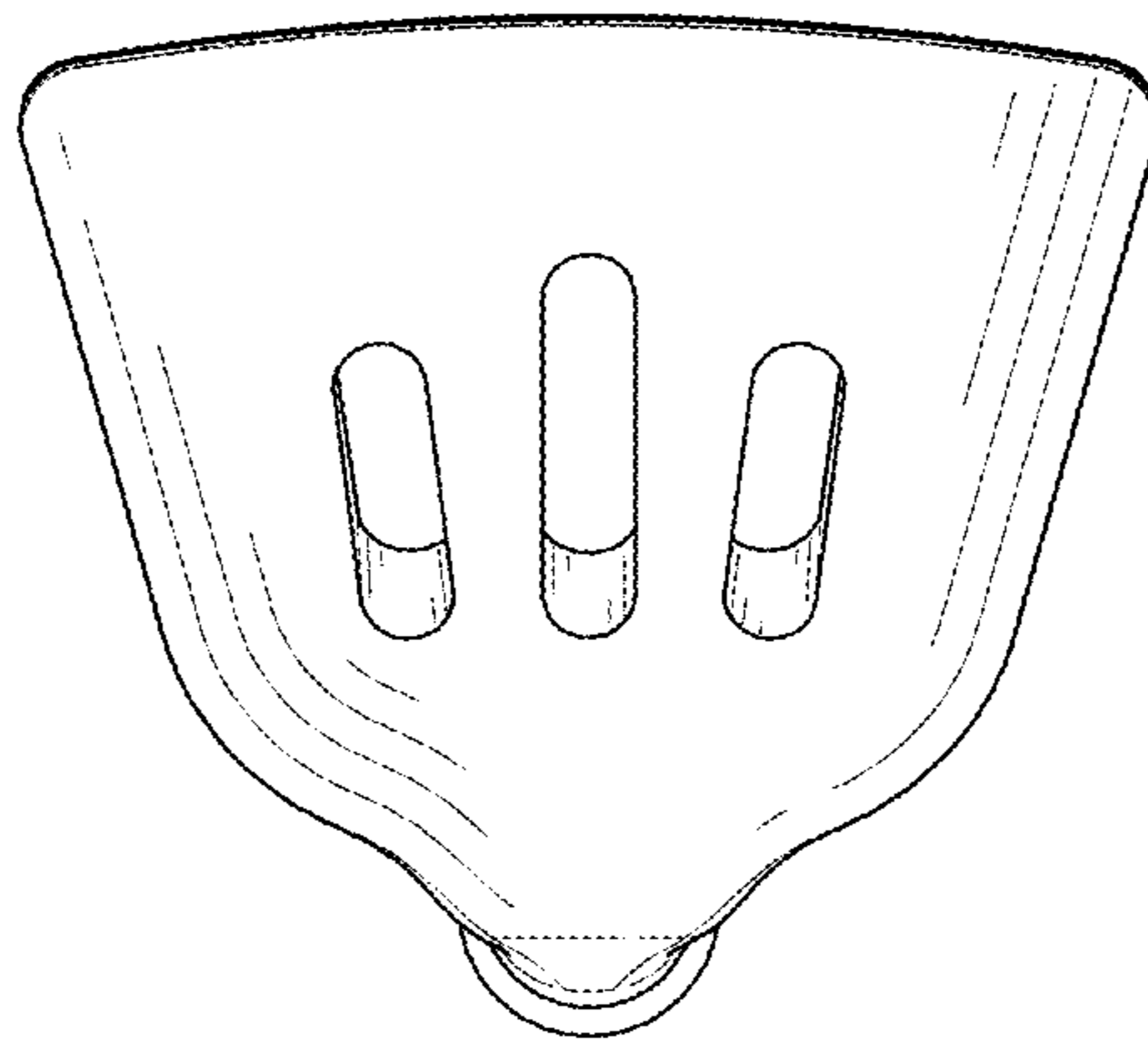


FIG. 8