



US00D918673S

(12) **United States Design Patent** (10) **Patent No.:** **US D918,673 S**
Smit (45) **Date of Patent:** **** May 11, 2021**

- (54) **CHOCOLATE GRATER**
- (71) Applicant: **Bos Kaasgereedschappen B.V.**,
Bodegraven (NL)
- (72) Inventor: **Ivo Smit**, Haarlem (NL)
- (73) Assignee: **Bos Kaasgereedschappen B.V.**,
Bodegraven (NL)
- (**) Term: **15 Years**
- (21) Appl. No.: **29/688,613**
- (22) Filed: **Apr. 23, 2019**
- (51) **LOC (13) Cl.** **07-04**
- (52) **U.S. Cl.**
USPC **D7/678**
- (58) **Field of Classification Search**
USPC D7/679, 590–598, 372–374, 401.1, 383,
D7/384, 678
CPC .. A47J 42/08; A47J 42/38; A47J 42/04; A47J
42/46; A47J 42/18; A47J 42/14; A47J
42/34; A47J 42/40; A47J 43/25; A47J
43/255; B02C 18/16; B02C 18/18; B02C
18/24
See application file for complete search history.

D501,372 S *	2/2005	Lo	D7/372
7,229,038 B1 *	6/2007	Givonetti	B43L 23/006 241/95
D621,261 S *	8/2010	DeMarco	D9/504
D673,006 S *	12/2012	Kent	D7/372
9,505,009 B1 *	11/2016	Wein	B02C 18/186
D779,293 S *	2/2017	Cranston	D7/679
D802,357 S *	11/2017	Fabbri	D7/378
10,039,418 B2 *	8/2018	Staiano	A47J 42/00
D864,654 S *	10/2019	Griffin	D7/384
2012/0097774 A1 *	4/2012	Hainbach	A47J 42/14 241/101.2

* cited by examiner

Primary Examiner — Terry A Wallace

(74) *Attorney, Agent, or Firm* — Jordan IP Law, LLC;
Todd A. Vaughn

(57) **CLAIM**

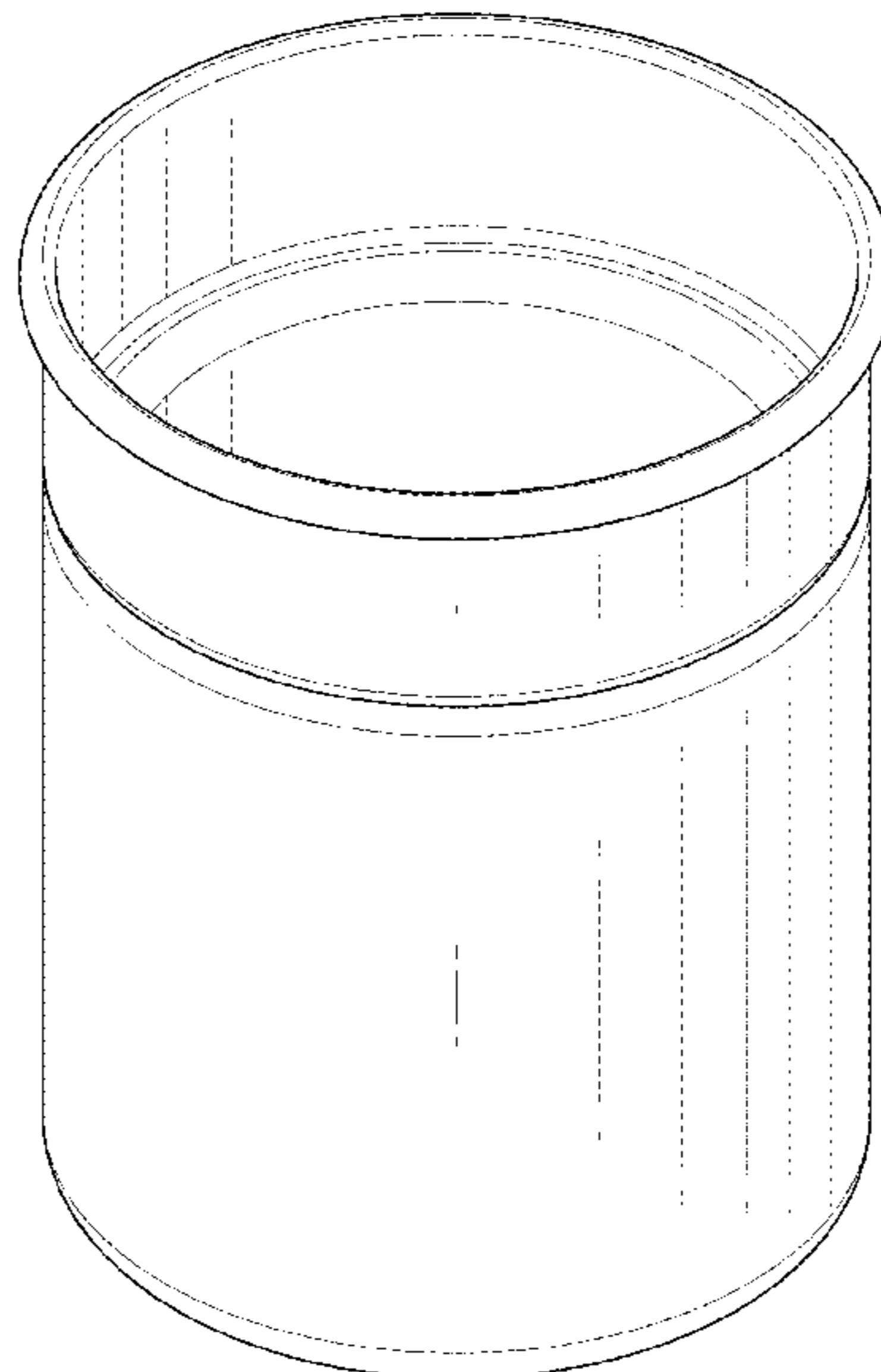
The ornamental design for a chocolate grater, as shown and described.

DESCRIPTION

FIG. 1 is a perspective view of an example of a chocolate grater in a closed state, in accordance with embodiments; FIG. 2 is a bottom view of the chocolate grater of FIG. 1, in a closed state; FIG. 3 is a front view of the chocolate grater of FIG. 1, in a closed state; FIG. 4 is a top side view of the chocolate grater of FIG. 1, in a closed state; FIG. 5 is a perspective view of the chocolate grater of FIG. 1 in an open state; FIG. 6 is a side view of the chocolate grater of FIG. 1 in an open state; and, FIG. 7 is a side sectional view of the chocolate grater of FIG. 1, in a closed state.

The broken lines of the chocolate grater are illustrative and depict environment, and thus, form no part of the claimed design.

1 Claim, 7 Drawing Sheets



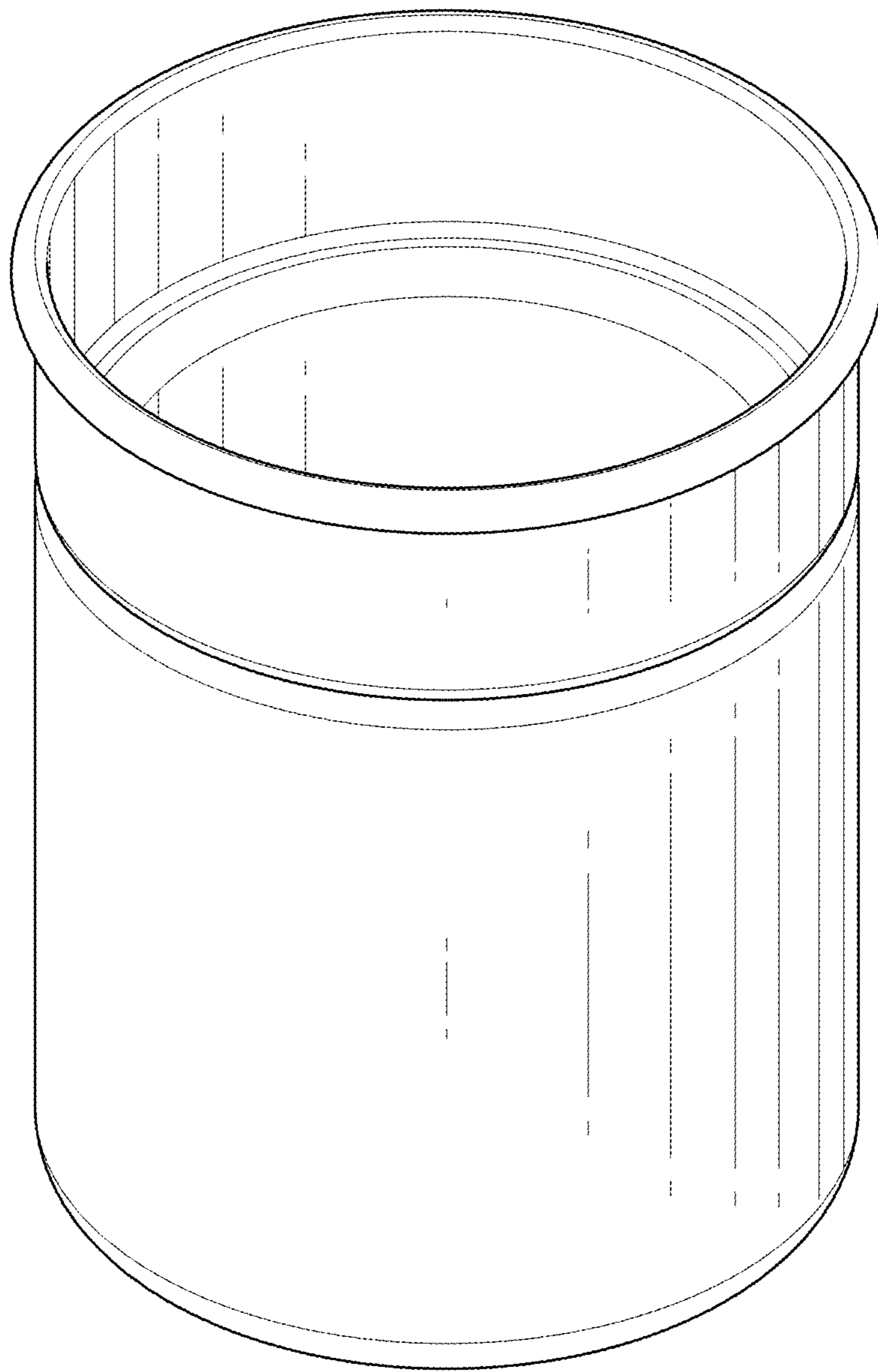


FIG. 1

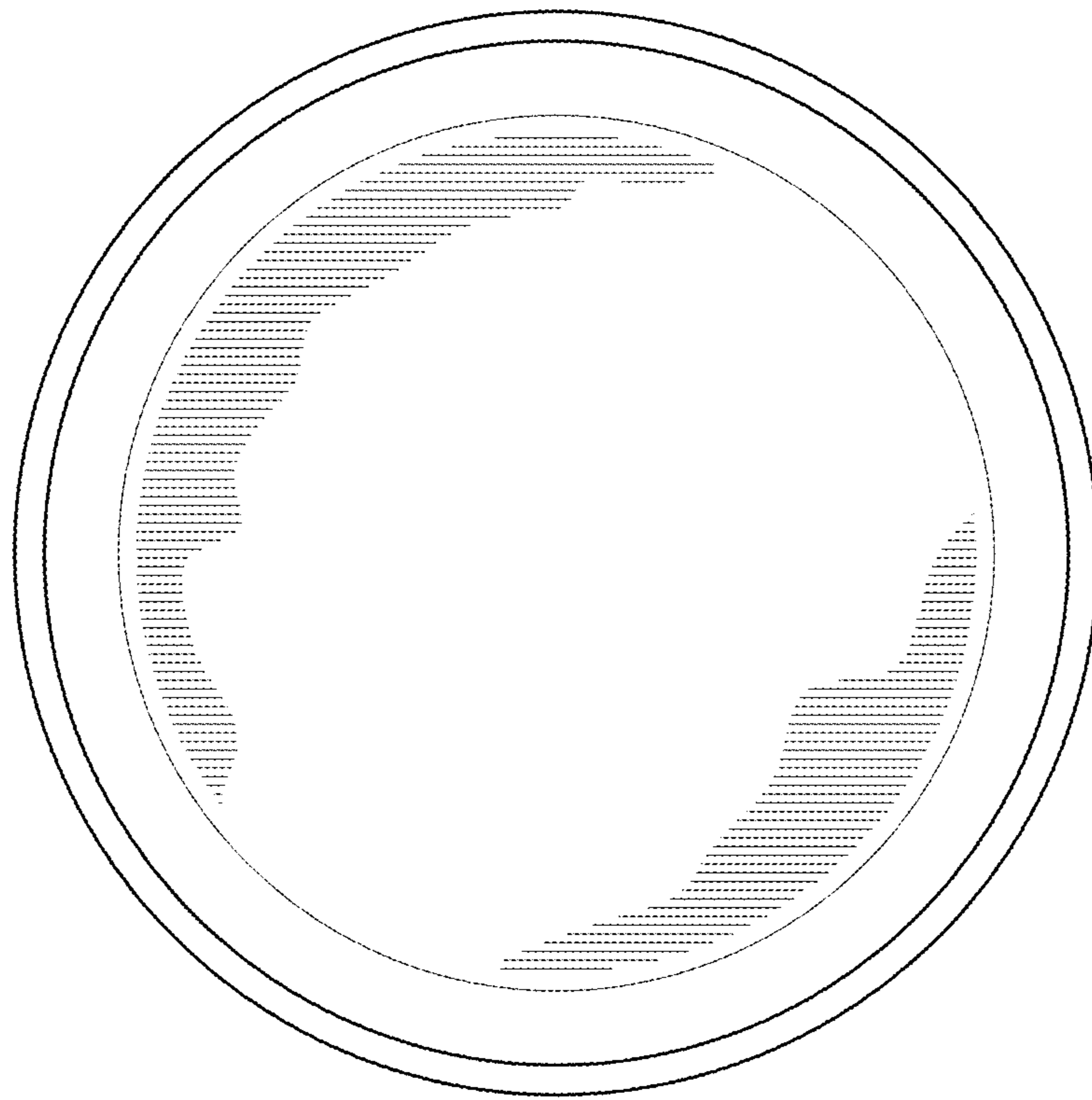


FIG. 2

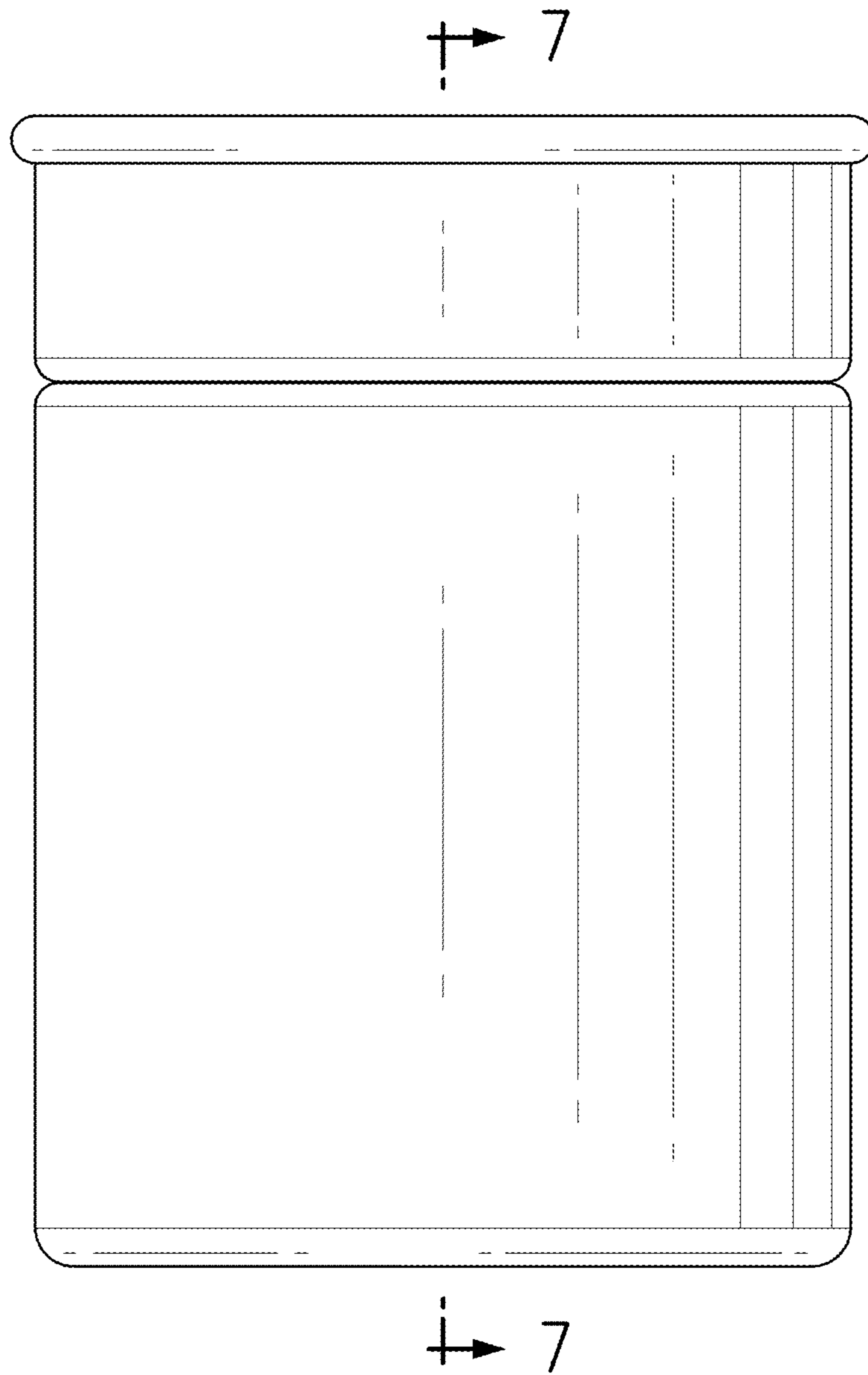


FIG. 3

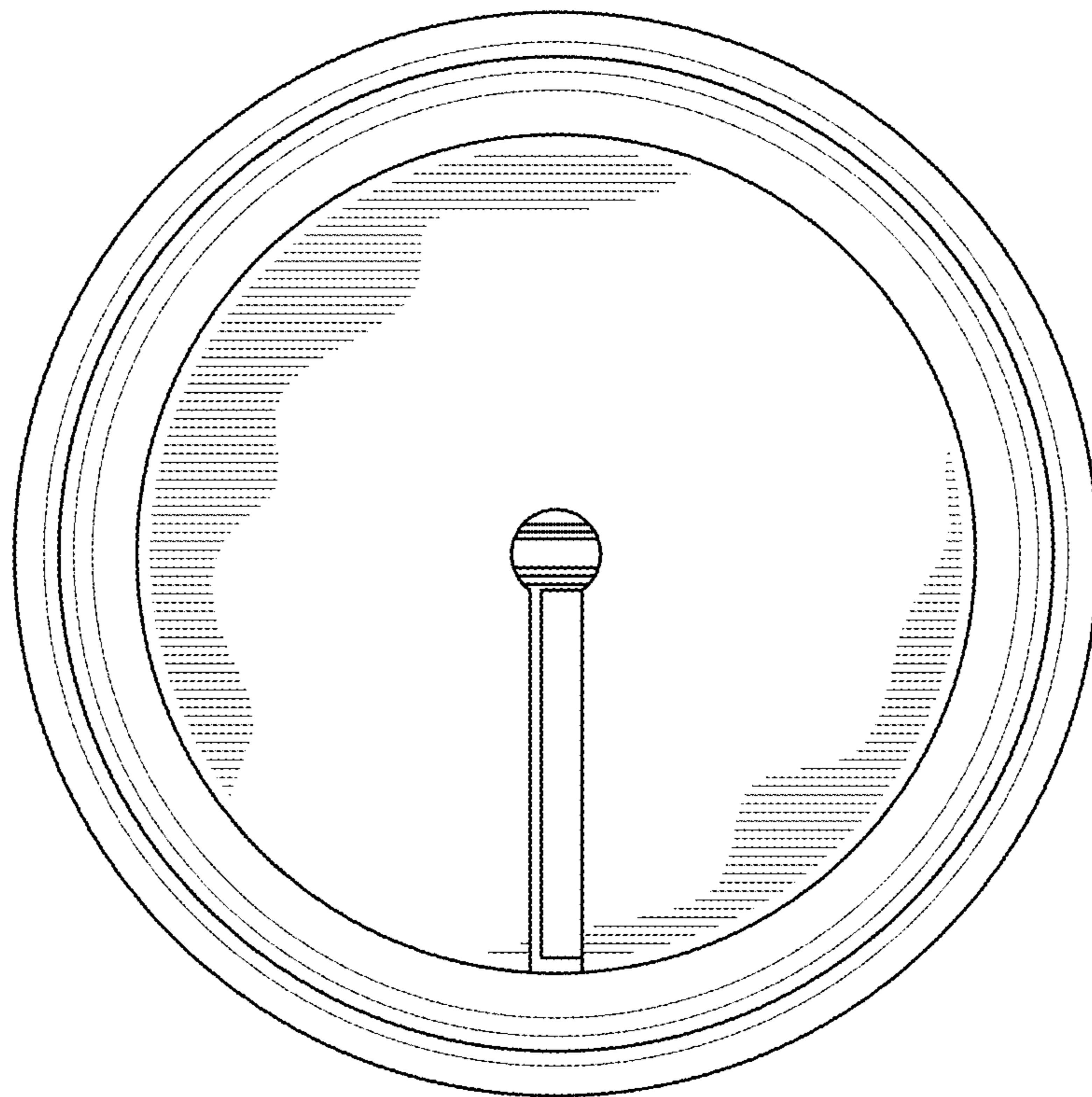


FIG. 4

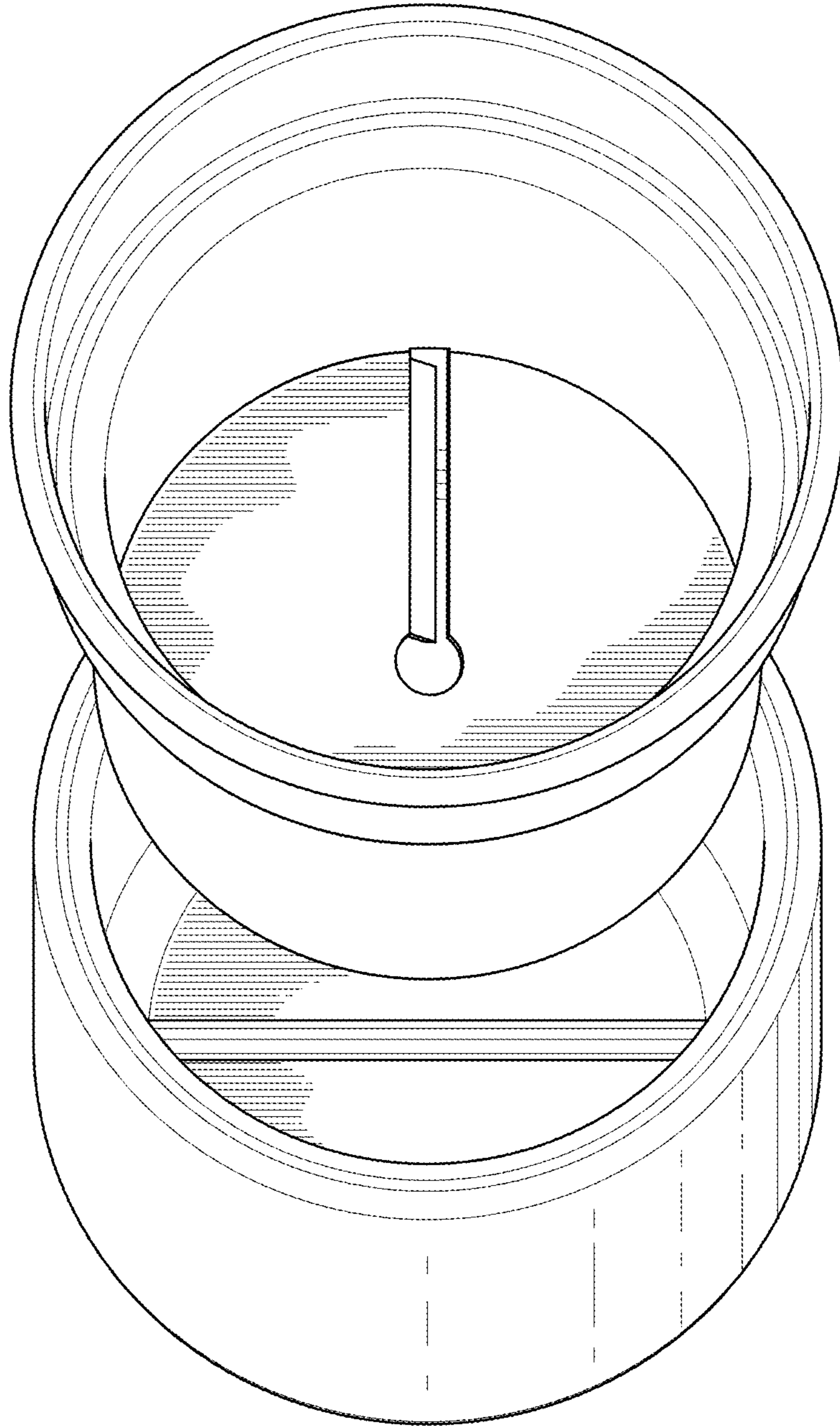


FIG. 5

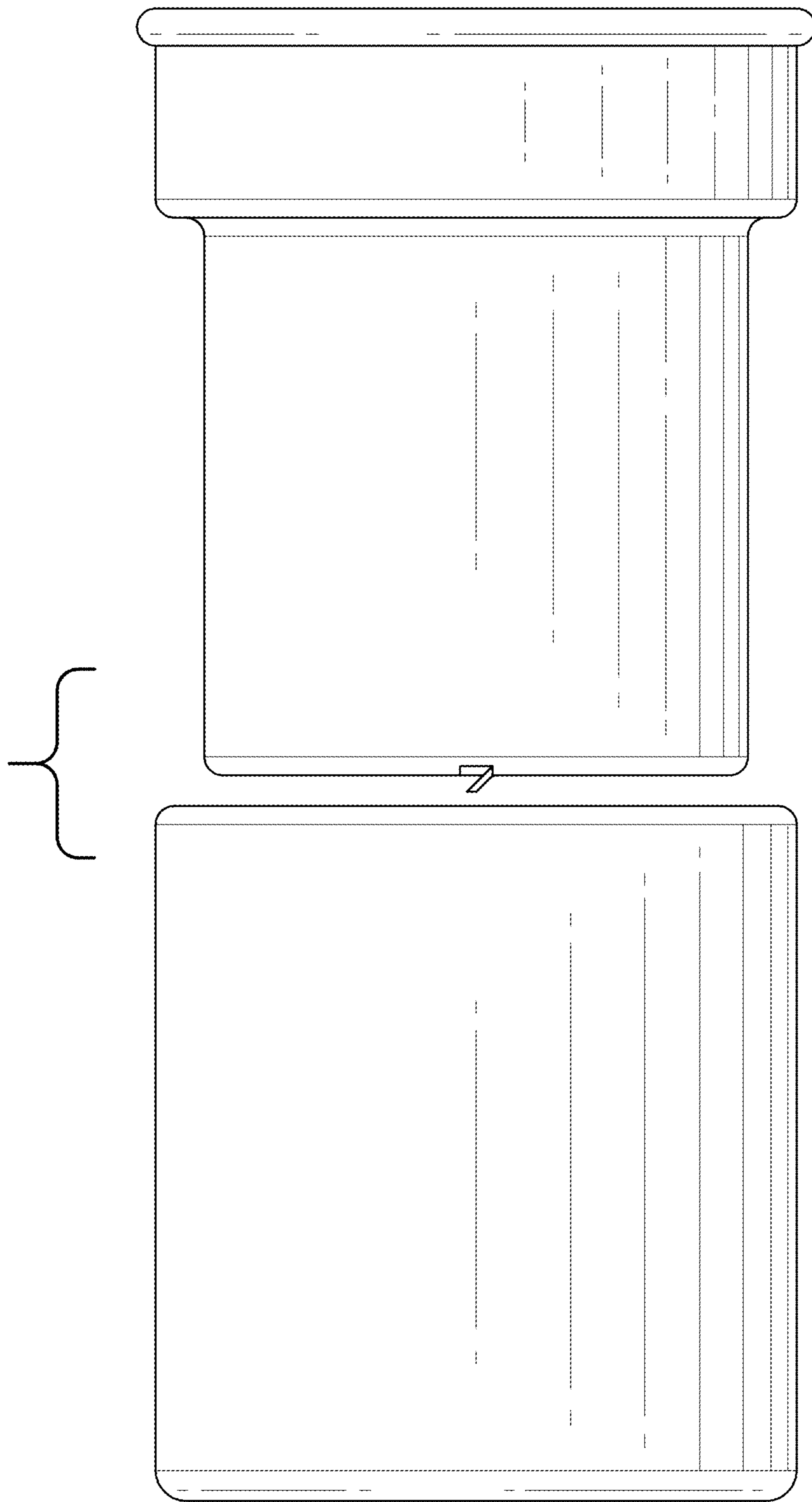


FIG. 6

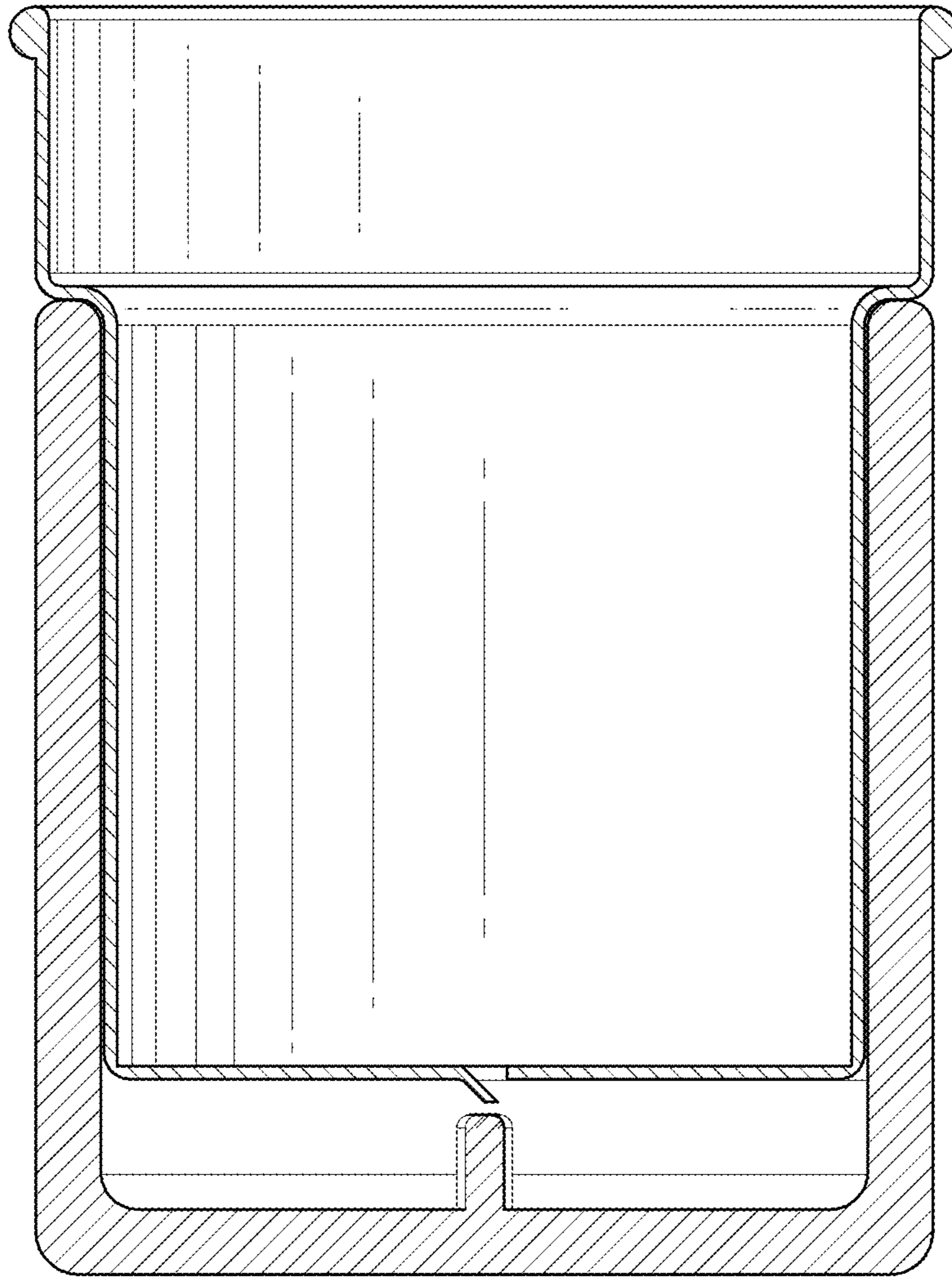


FIG. 7