



US00D918671S

(12) **United States Design Patent** (10) **Patent No.:** **US D918,671 S**  
**Souza et al.** (45) **Date of Patent:** **\*\* May 11, 2021**

(54) **FOOD STORAGE CONTAINER BASE**  
(71) Applicant: **Rubbermaid Incorporated,**  
Huntersville, NC (US)  
(72) Inventors: **Marcel A. Souza,** Kalamazoo, MI (US);  
**Stephen J. Galucki,** Huntersville, NC  
(US); **Loren Chen,** Kalamazoo, MI  
(US); **Earle L. Cramer,** Portage, MI  
(US)  
(73) Assignee: **Rubbermaid Incorporated,**  
Huntersville, NC (US)

D682,088 S \* 5/2013 de Urquijo Carmona .... D9/428  
D722,526 S \* 2/2015 Forester ..... D11/155  
D793,857 S \* 8/2017 Rice ..... D9/425  
D807,168 S \* 1/2018 Bouveret ..... D9/425  
D817,718 S \* 5/2018 Furneaux ..... D7/532  
D818,325 S \* 5/2018 Ogilvie ..... D7/630  
D845,076 S \* 4/2019 Brownell ..... D7/545  
D845,715 S \* 4/2019 Brownell ..... D7/545  
D869,955 S \* 12/2019 Kilduff ..... D9/560  
D873,076 S \* 1/2020 Pan ..... D7/523  
D889,203 S \* 7/2020 Bull ..... D7/523  
2005/0017013 A1\* 1/2005 Peisach ..... B65D 1/42  
220/609  
2006/0051463 A1\* 3/2006 Lopez-Garcia .... B65D 81/3216  
426/120

(\*\*) Term: **15 Years**

\* cited by examiner

(21) Appl. No.: **29/695,379**

*Primary Examiner* — Derrick E Holland  
*Assistant Examiner* — Andrew Kerr

(22) Filed: **Jun. 18, 2019**

(51) **LOC (13) Cl.** ..... **09-07**

(57) **CLAIM**

(52) **U.S. Cl.**  
USPC ..... **D7/630; D9/425**

The ornamental design for a food storage container base, as shown and described.

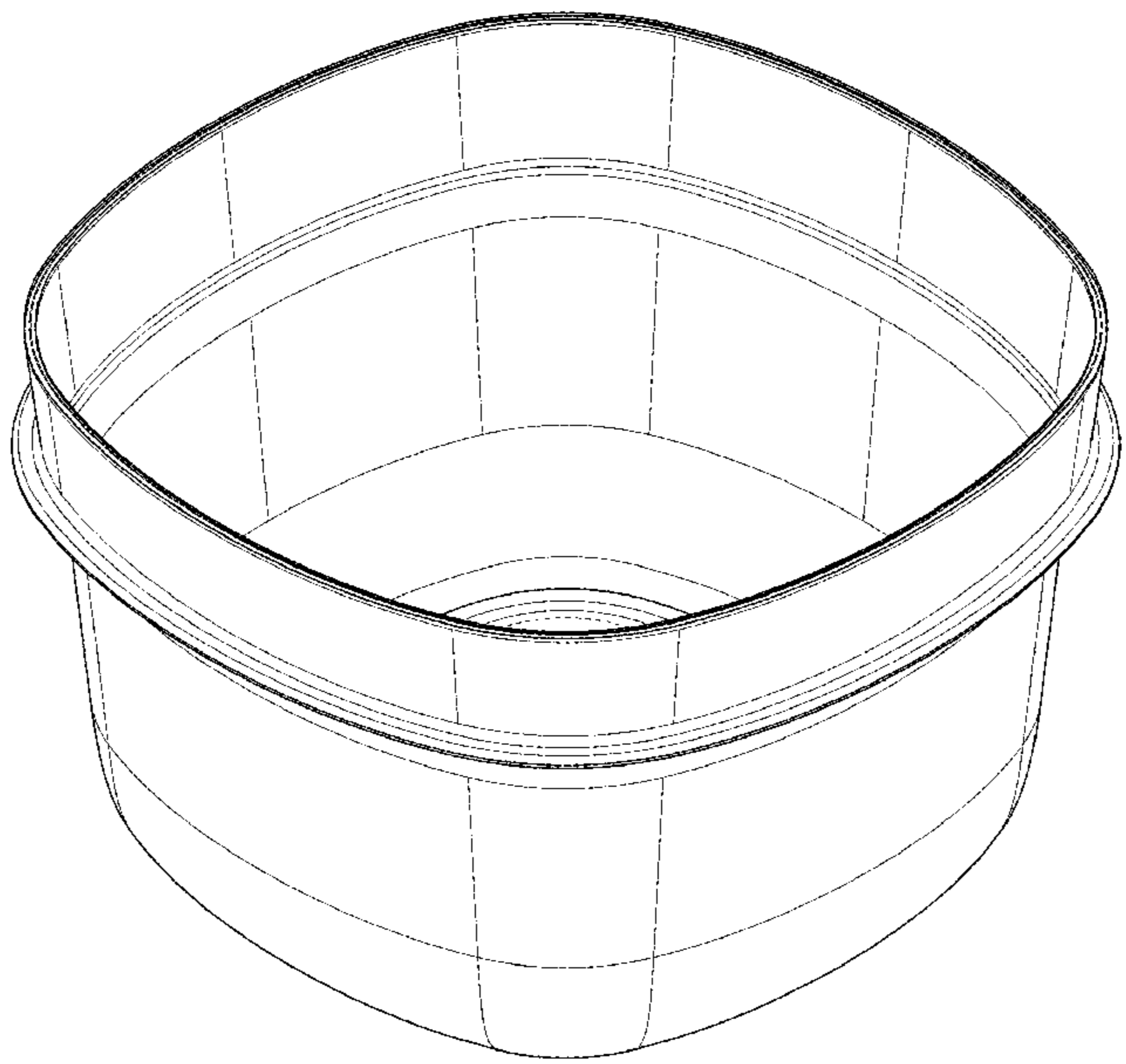
(58) **Field of Classification Search**  
USPC ..... D7/507, 509, 510, 511, 601, 602, 603,  
D7/612, 630, 523, 619.1; D9/500, 503,  
D9/504, 414, 424, 425, 430, 431, 516,  
D9/559, 560, 575, 434, 435, 447;  
D19/102, 104; D11/143  
CPC .... A47G 19/22; A47G 19/2205; A47G 19/23;  
A45F 3/20; B65D 1/00; B65D 1/26;  
B65D 43/16; A47J 31/06  
See application file for complete search history.

**DESCRIPTION**

FIG. 1 is a front perspective view of a food storage container base, showing our new design;  
FIG. 2 is a front view thereof;  
FIG. 3 is a rear view thereof;  
FIG. 4 is left side view thereof;  
FIG. 5 is a right side view thereof;  
FIG. 6 is a top view thereof;  
FIG. 7 is a bottom view thereof; and,  
FIG. 8 is an exploded front perspective view thereof, with an unclaimed lid.  
The broken lines depict portions of the food storage container base that form no part of the claimed design. The dash-dot broken lines of FIG. 8 represent the direction of assembly and form no part of the claimed design.

(56) **References Cited**  
U.S. PATENT DOCUMENTS  
D374,155 S \* 10/1996 Feer ..... D7/602  
D519,327 S \* 4/2006 Tucker ..... D7/629  
D628,478 S \* 12/2010 Snedden ..... D9/431  
D640,550 S \* 6/2011 Snedden ..... D9/431  
D659,586 S \* 5/2012 Brandstatter ..... D11/155

**1 Claim, 8 Drawing Sheets**



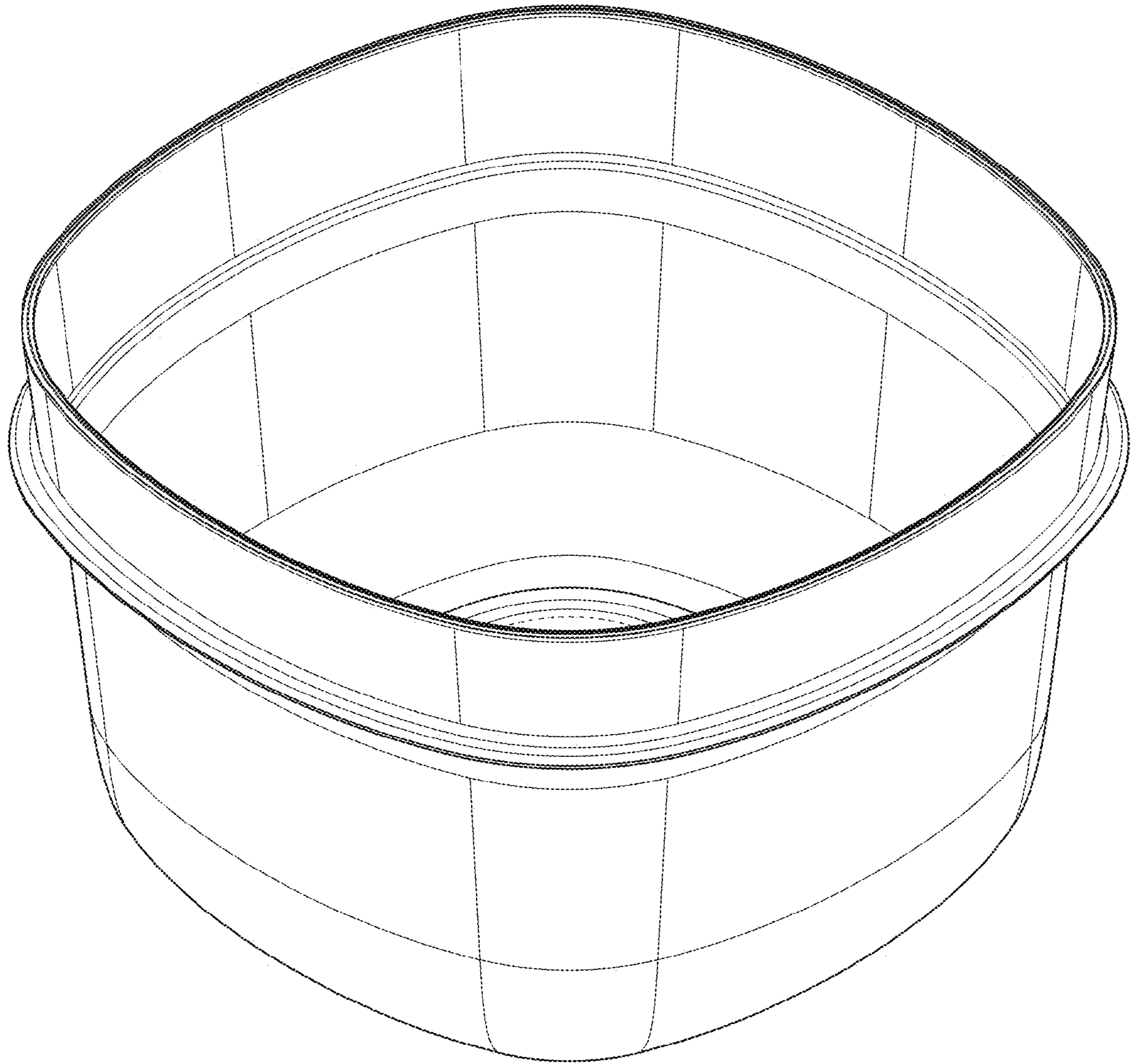


FIG. 1

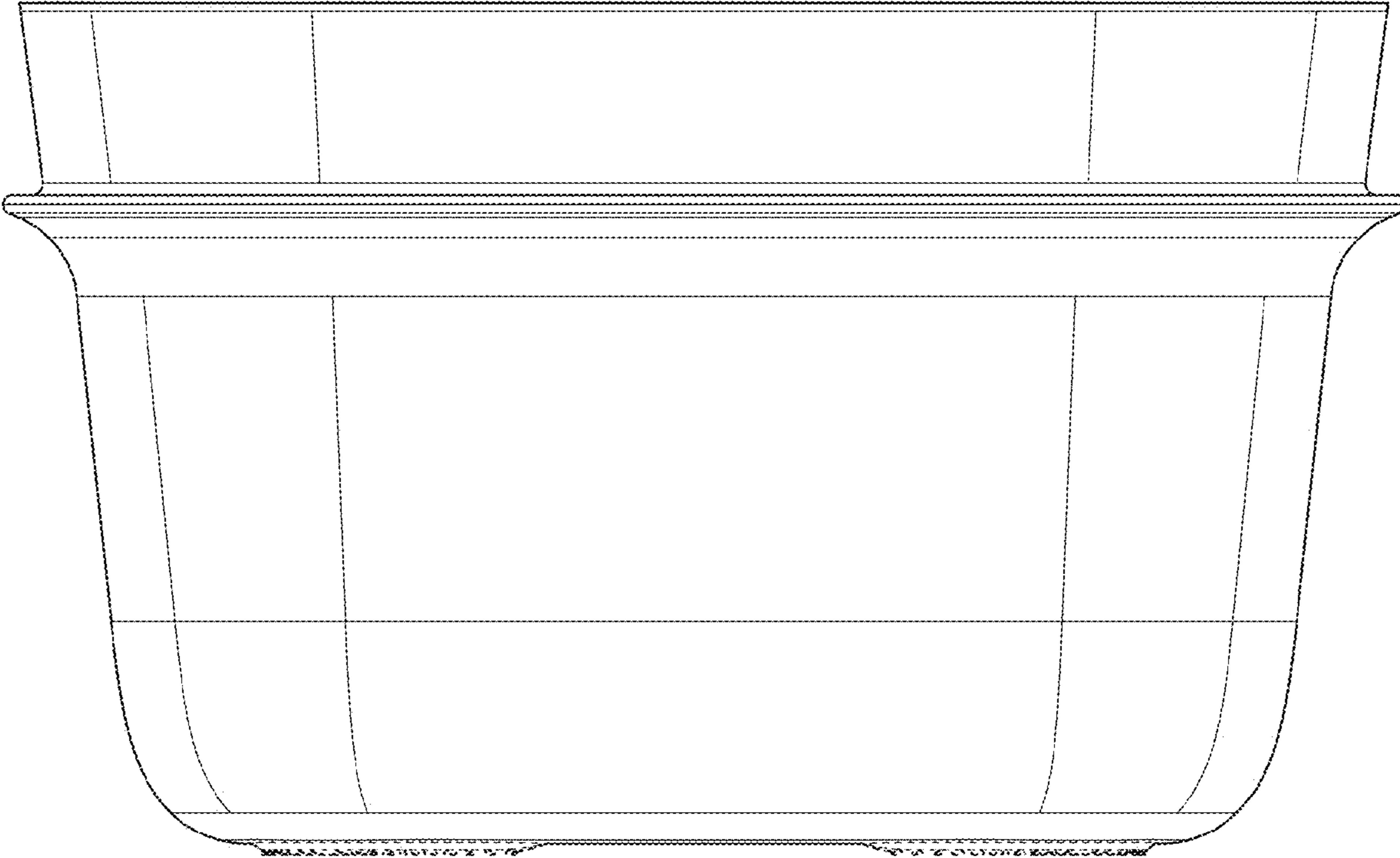


FIG. 2

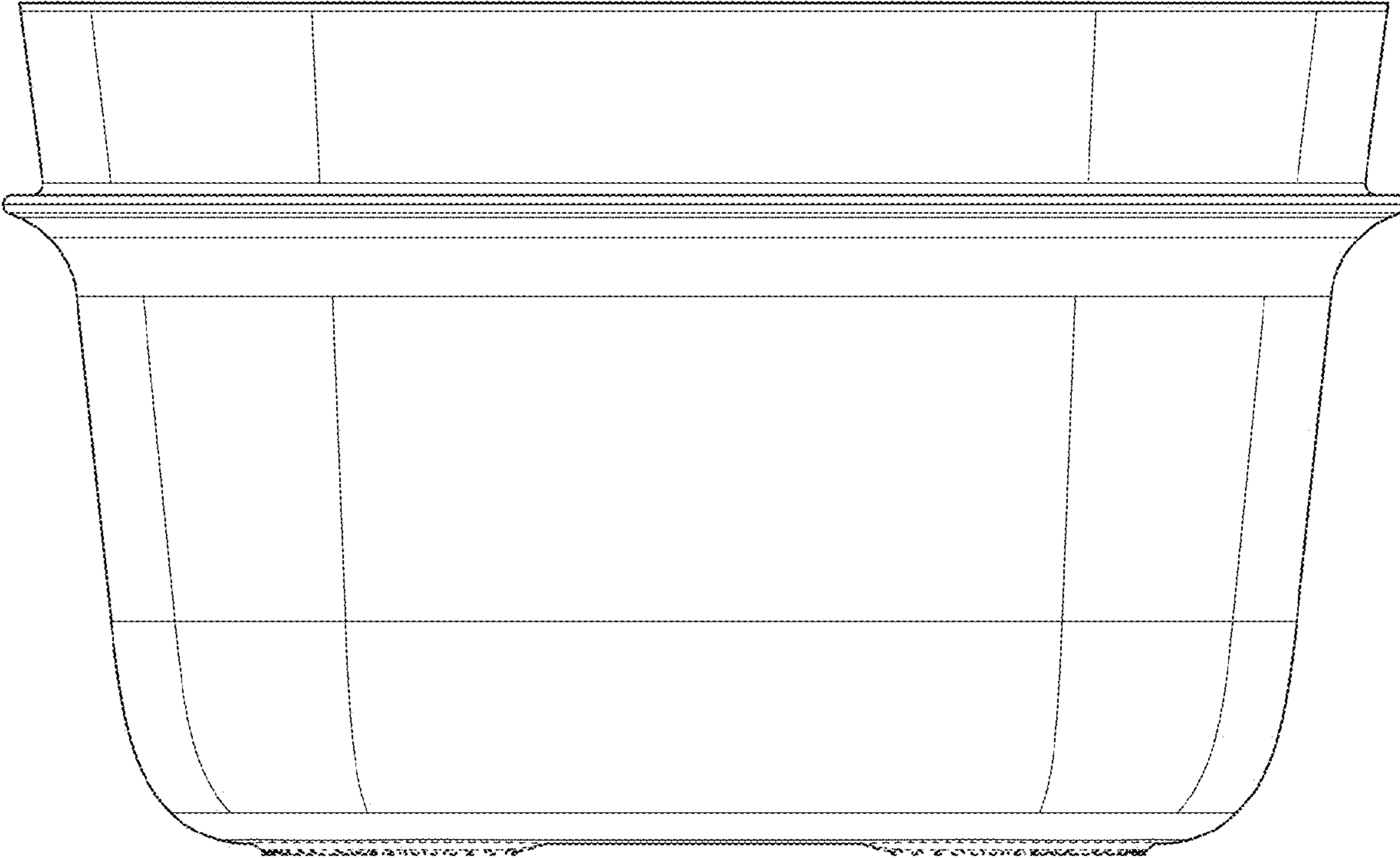


FIG. 3

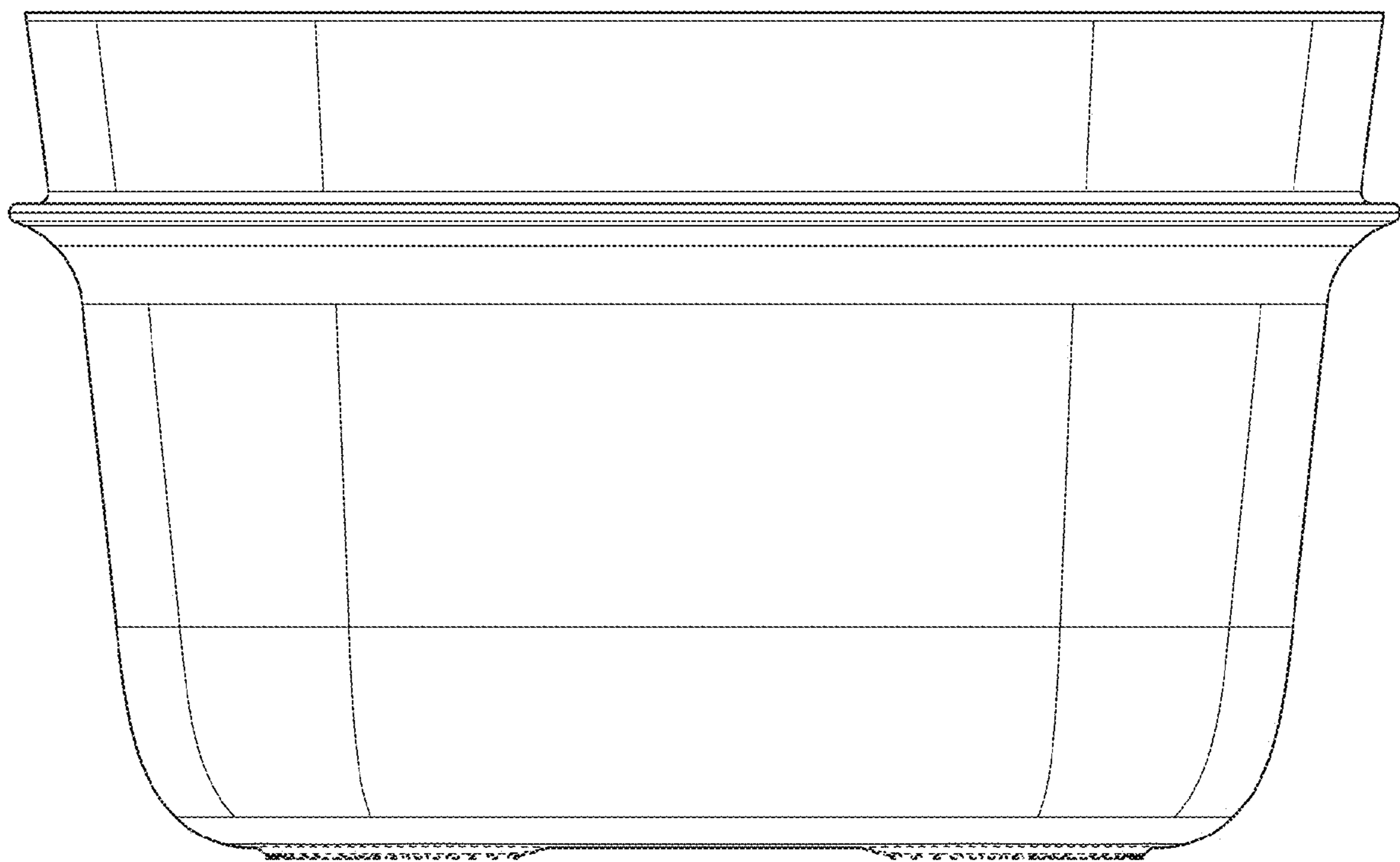


FIG. 4

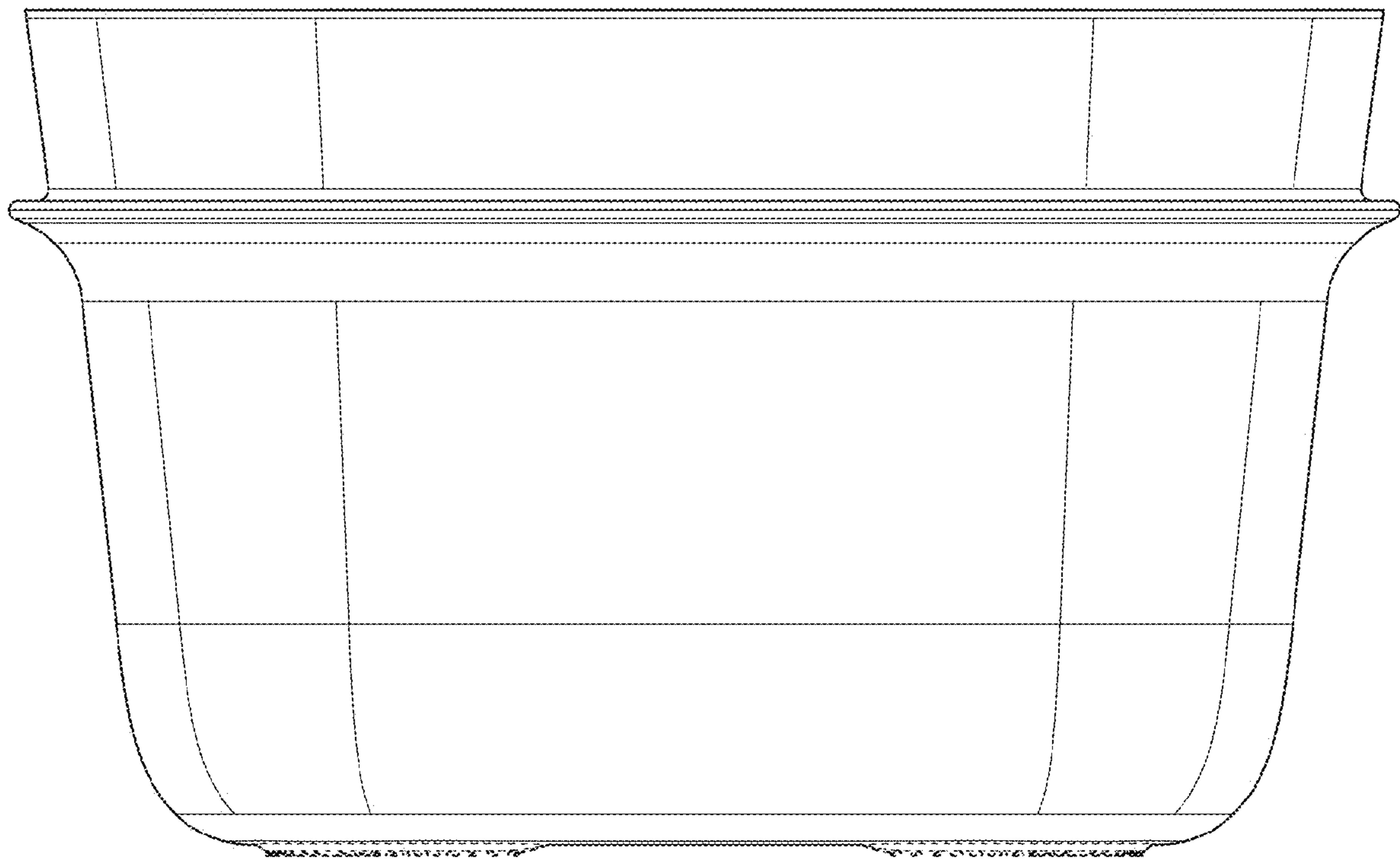


FIG. 5

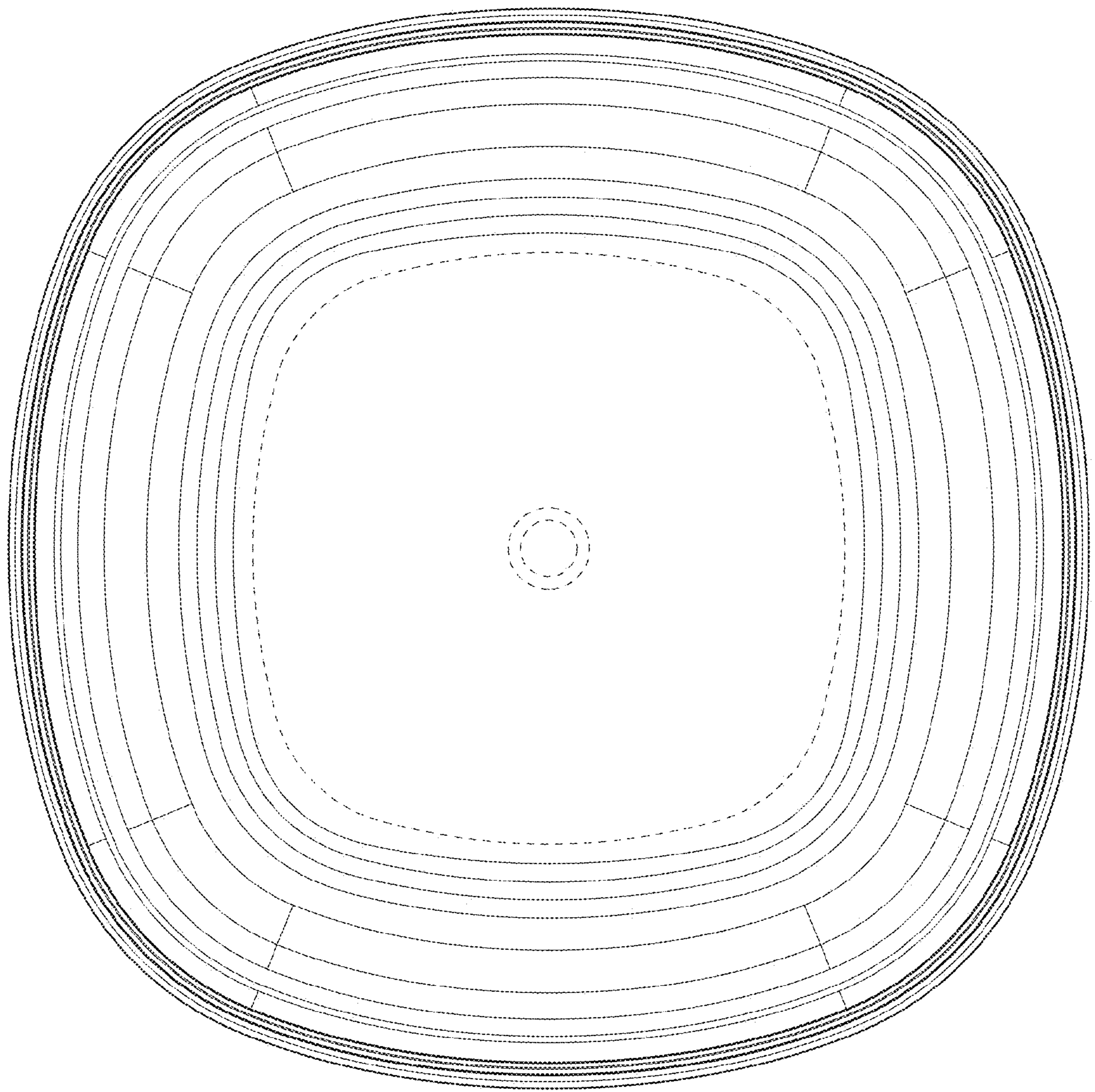


FIG. 6

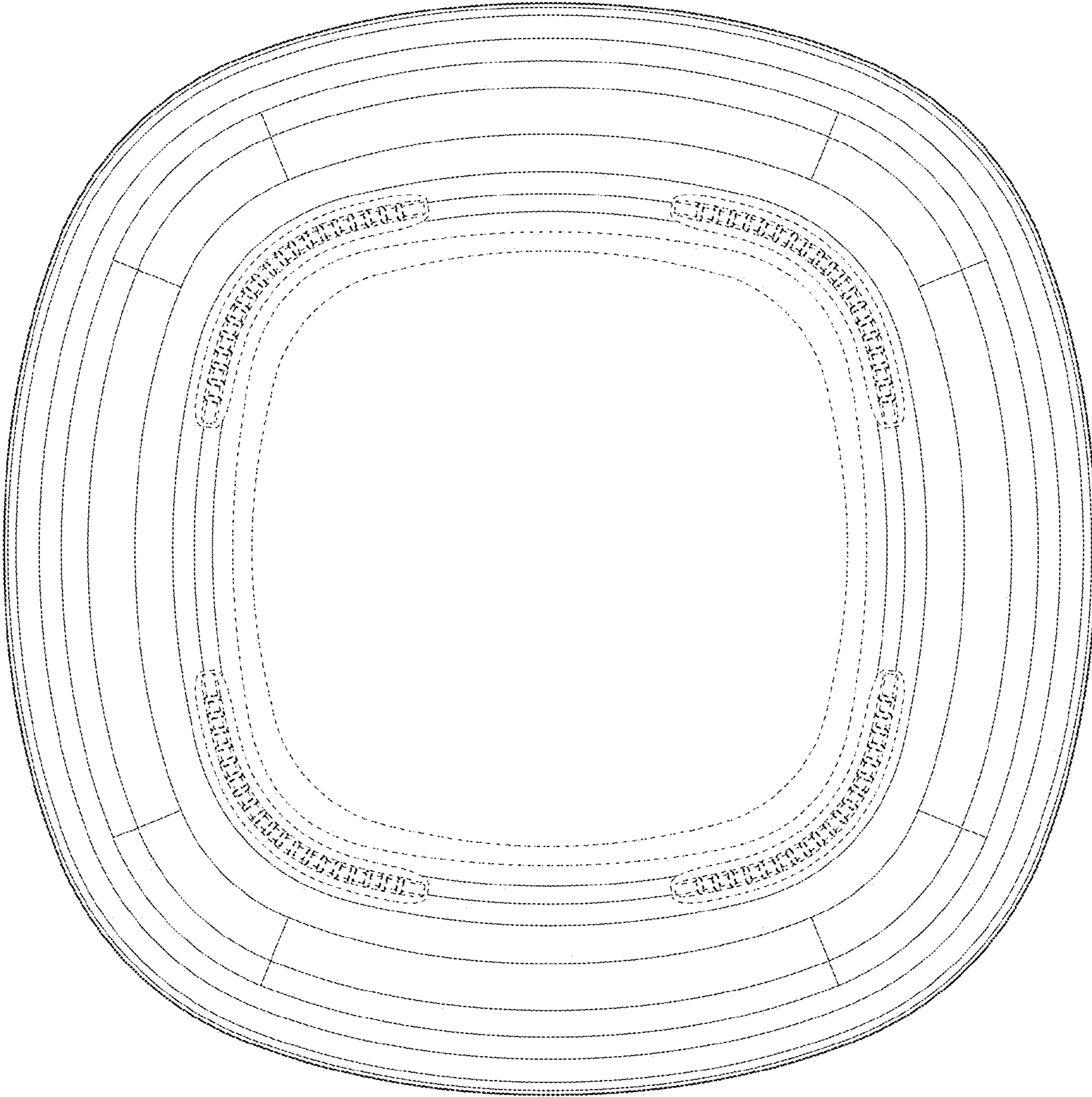


FIG. 7



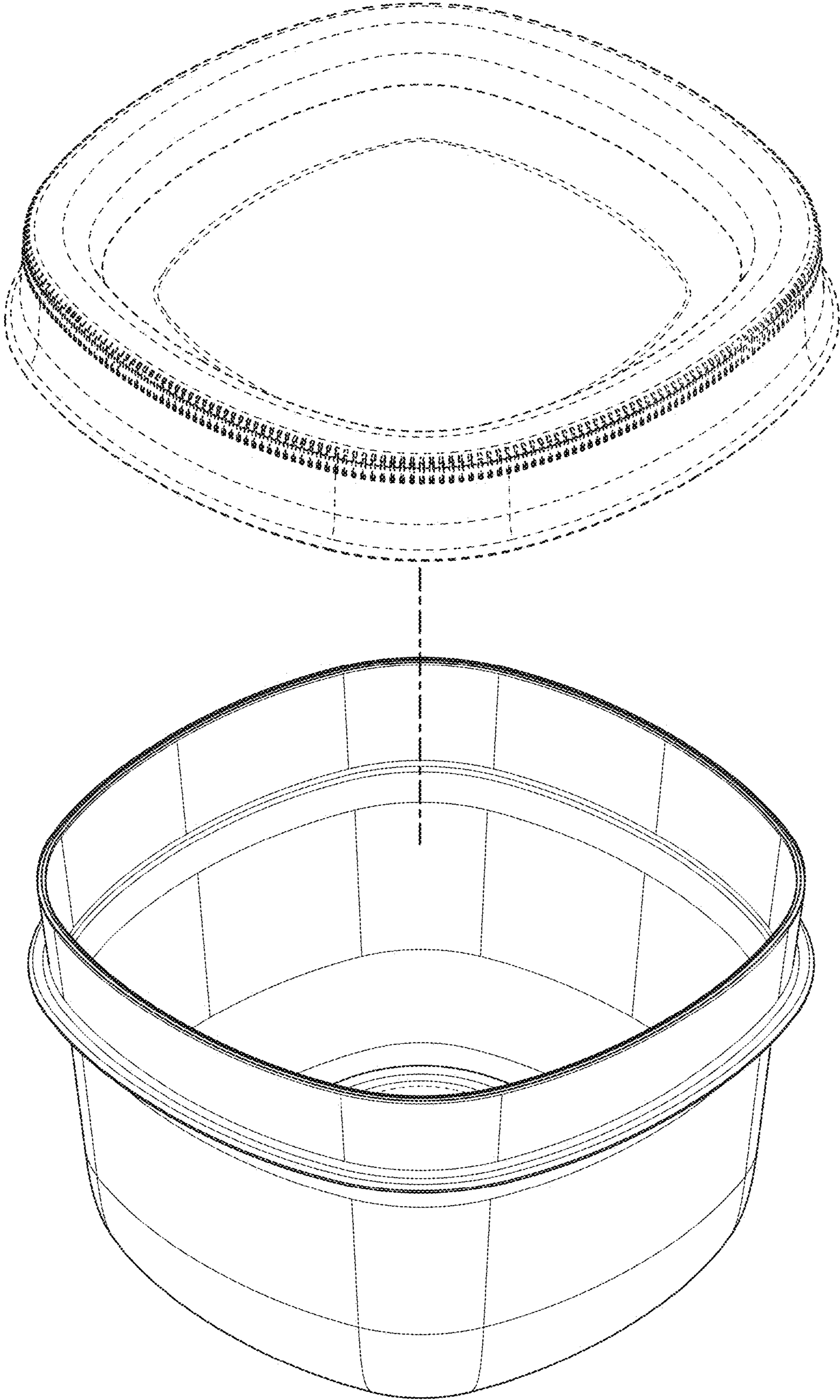


FIG. 8