



US00D918670S

(12) **United States Design Patent** (10) **Patent No.:** **US D918,670 S**
Stefani et al. (45) **Date of Patent:** **** May 11, 2021**

- (54) **KITCHEN CONTAINER** D691,425 S * 10/2013 Zemel B65D 43/0222
D7/629
- (71) Applicant: **STEFANPLAST S.P.A.**, Villaganzerla D807,168 S * 1/2018 Bouveret D9/425
di Castegnero (IT) D836,408 S * 12/2018 Pereira Da Silva D7/629
D865,513 S * 11/2019 Gelbaugh B65F 1/1615
D9/425
- (72) Inventors: **Walter Stefani**, Castegnero (IT); **Nicola Stefani**, Castegnero (IT); **Luciano Ghiotto**, Camisano Vicentino (IT) D885,145 S * 5/2020 Nie B65D 43/169
D7/629
- (73) Assignee: **Stefanplast S.P.A.**, Villaganzerla di 2006/0076352 A1 * 4/2006 Peterson B65D 43/169
Castegnero (IT) 220/254.3
2007/0235460 A1 * 10/2007 Killinger B65D 43/0222
220/675
2010/0276422 A1 * 11/2010 Vovan B65D 43/021
220/260
2016/0257490 A1 * 9/2016 Geisendorfer B65F 1/1615

(**) Term: **15 Years**

(21) Appl. No.: **29/691,517**

(22) Filed: **May 16, 2019**

(30) **Foreign Application Priority Data**

Dec. 20, 2018 (EM) 005940897

(51) **LOC (13) Cl.** **09-07**

(52) **U.S. Cl.**
USPC **D7/629; D7/630**

(58) **Field of Classification Search**
USPC D7/584, 585, 587, 588, 601, 602, 603,
D7/605, 612, 615, 354, 629, 630, 396.1;
D9/414, 424, 425, 432; D3/273
CPC A47G 19/02; A47G 19/12; A47G 19/127;
A47G 23/06
See application file for complete search history.

(56) **References Cited**

U.S. PATENT DOCUMENTS

- D212,594 S * 11/1968 Collie D9/425
D651,477 S * 1/2012 Nie B65D 43/021
D7/629

* cited by examiner

Primary Examiner — Susan E Krakower

Assistant Examiner — Andrew Kerr

(74) *Attorney, Agent, or Firm* — Workman Nydegger

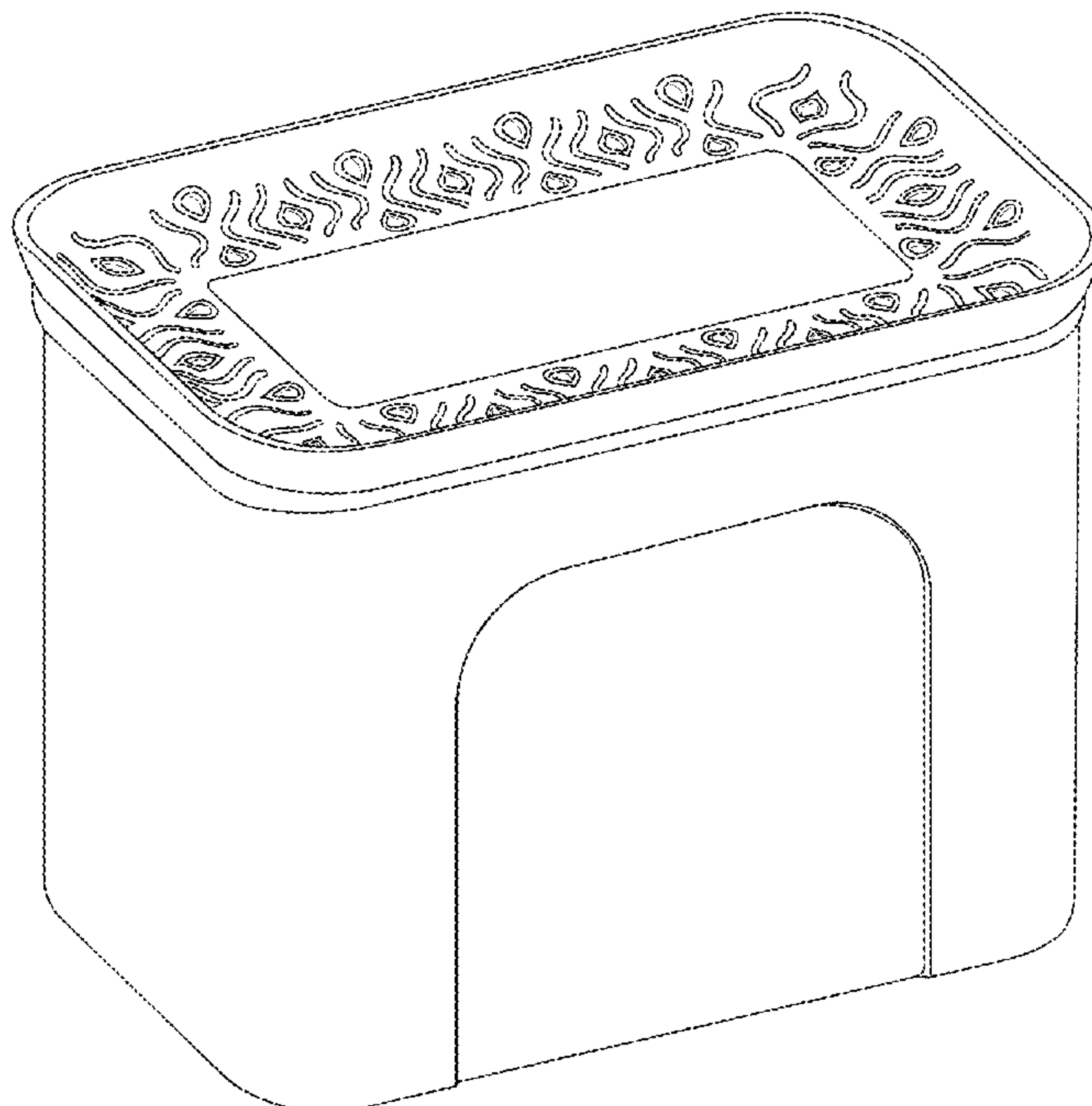
(57) **CLAIM**

The ornamental design for a kitchen container, as shown and described.

DESCRIPTION

FIG. 1 is a perspective view of a kitchen container showing our new design;
FIG. 2 is a top plan view thereof;
FIG. 3 is a bottom plan view thereof;
FIG. 4 is a front elevational view thereof;
FIG. 5 is a rear elevational view thereof;
FIG. 6 is a right side elevational view thereof; and,
FIG. 7 is a left side elevational view thereof.
The broken lines in FIG. 3 depict a portion of the kitchen container that forms no part of the claimed design.

1 Claim, 4 Drawing Sheets



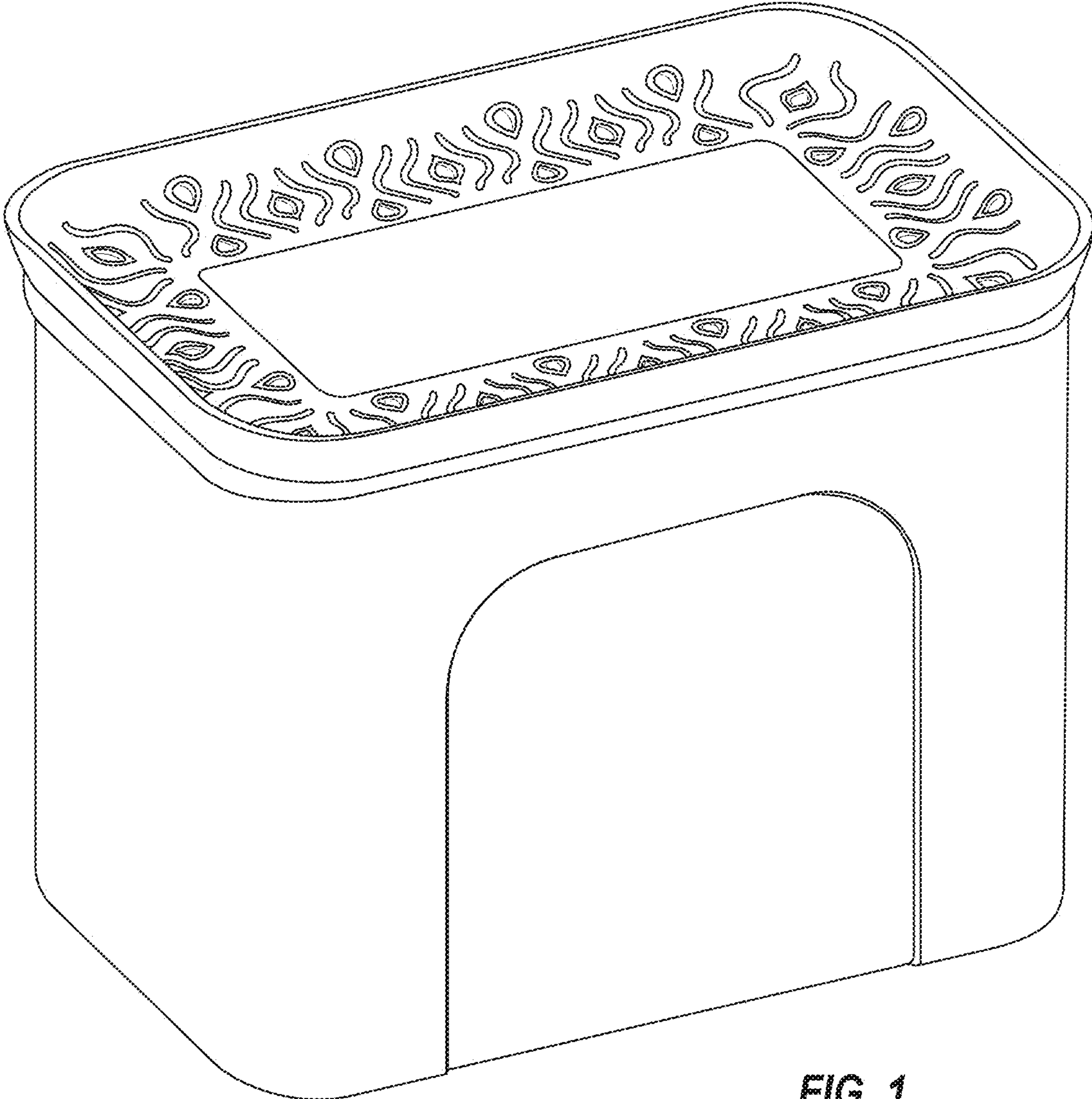


FIG. 1

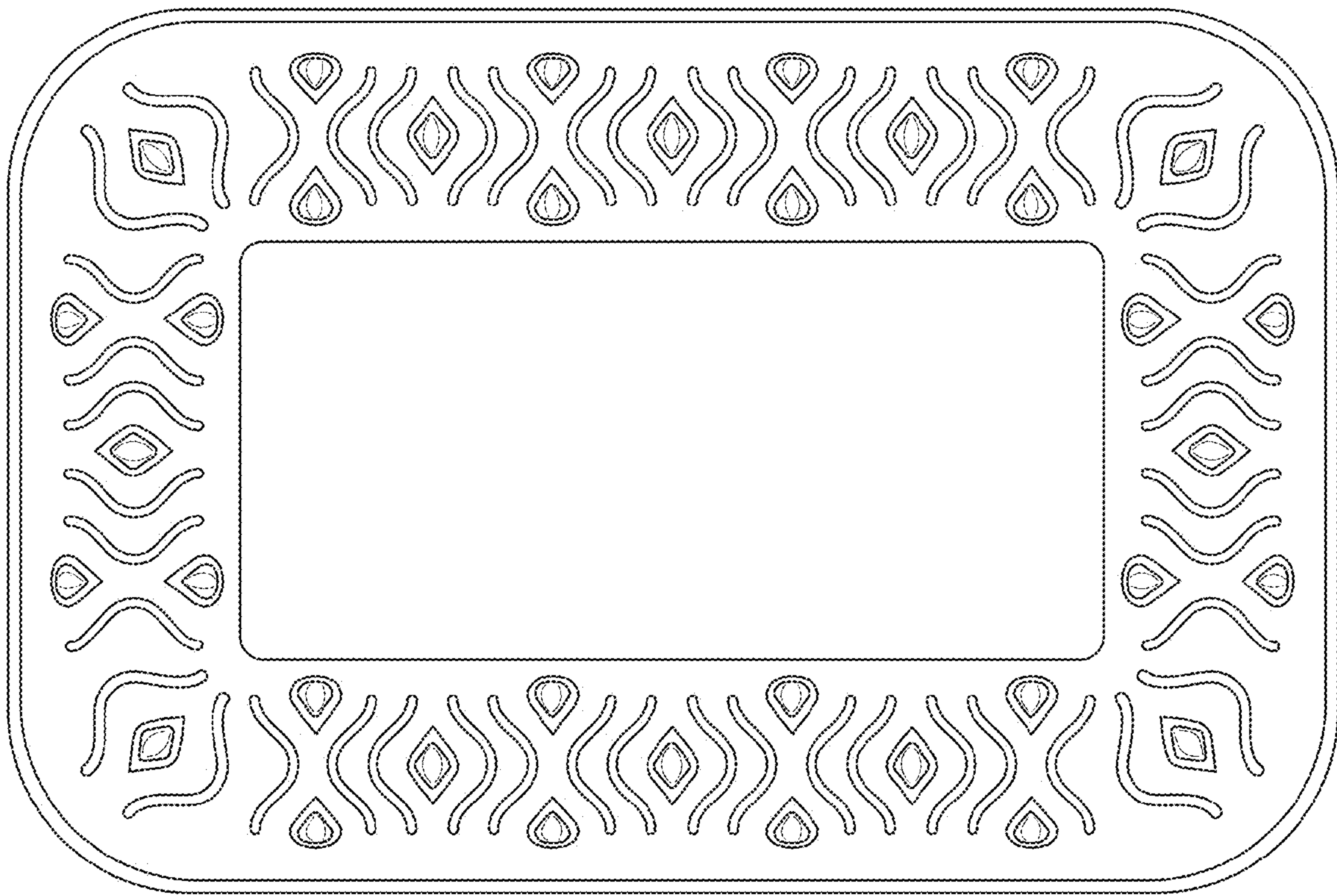


FIG. 2

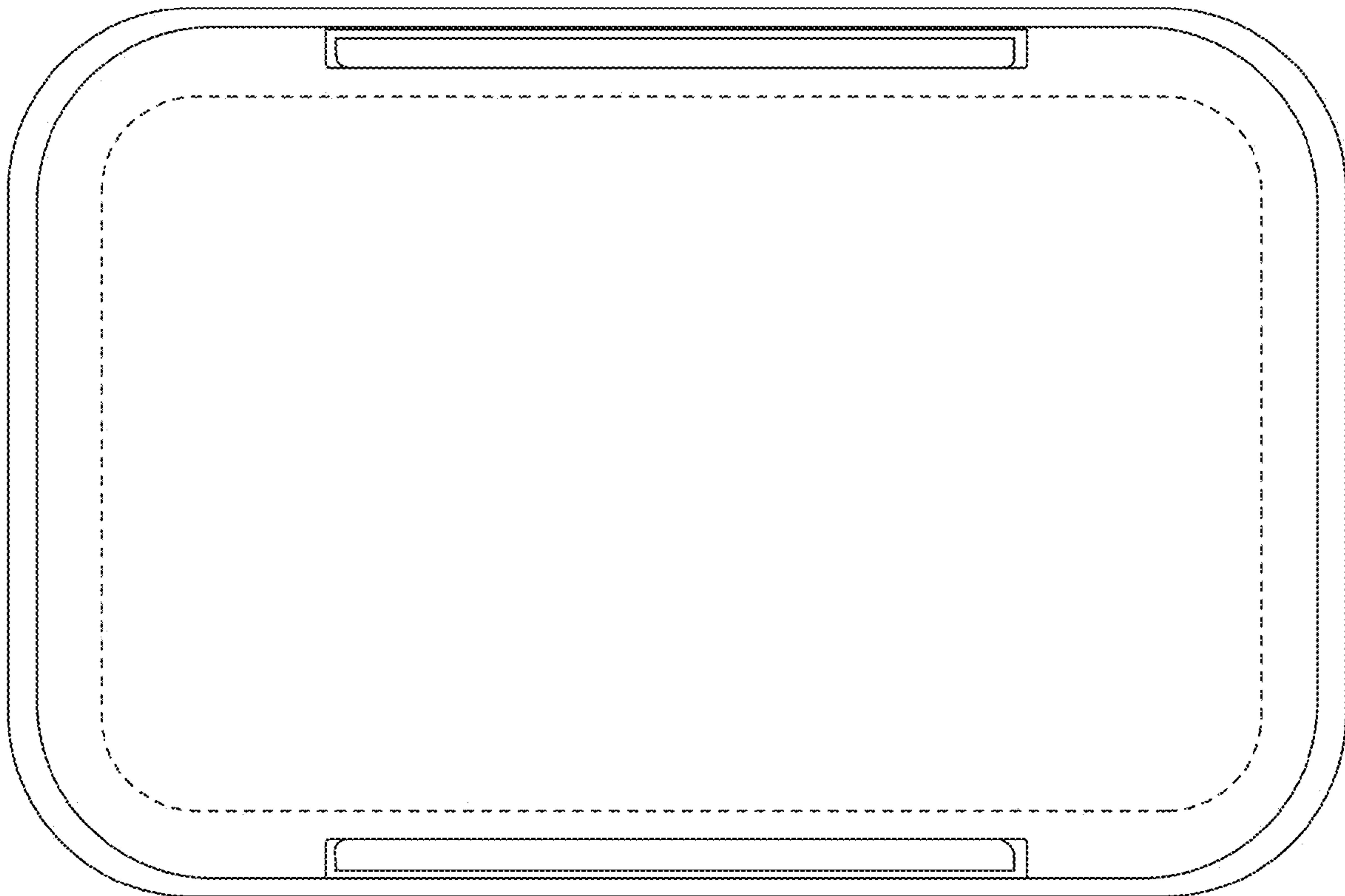


FIG. 3

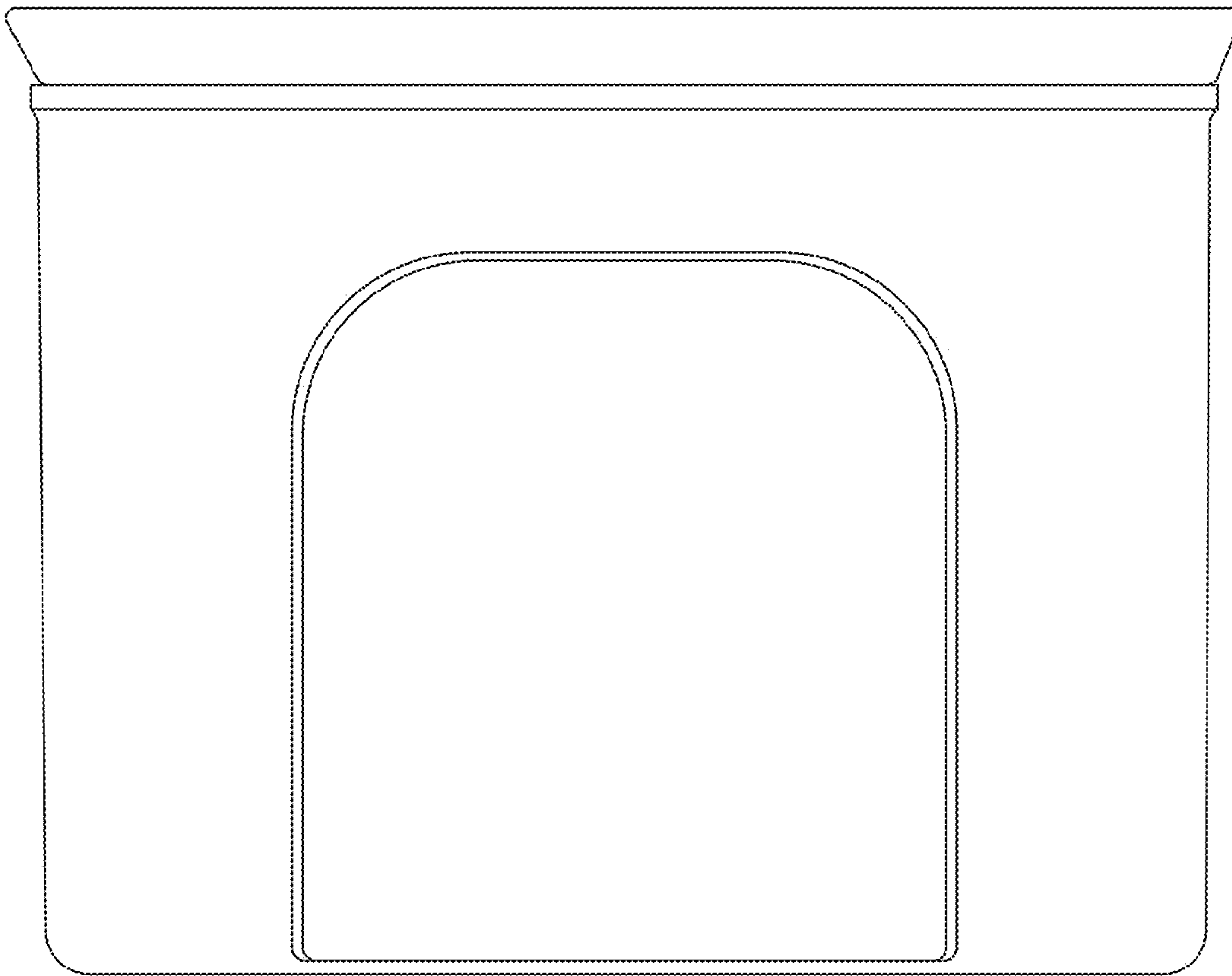


FIG. 4

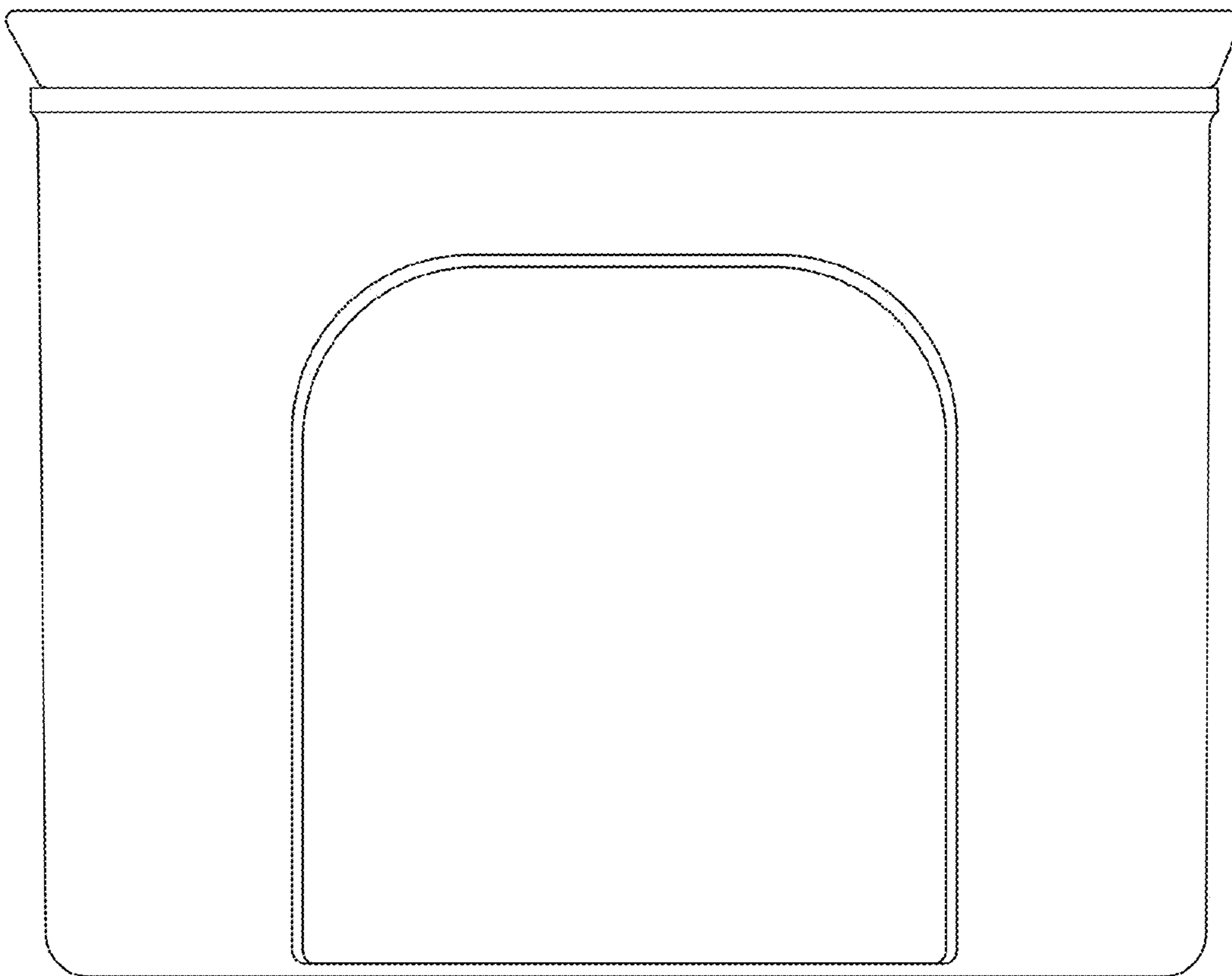


FIG. 5

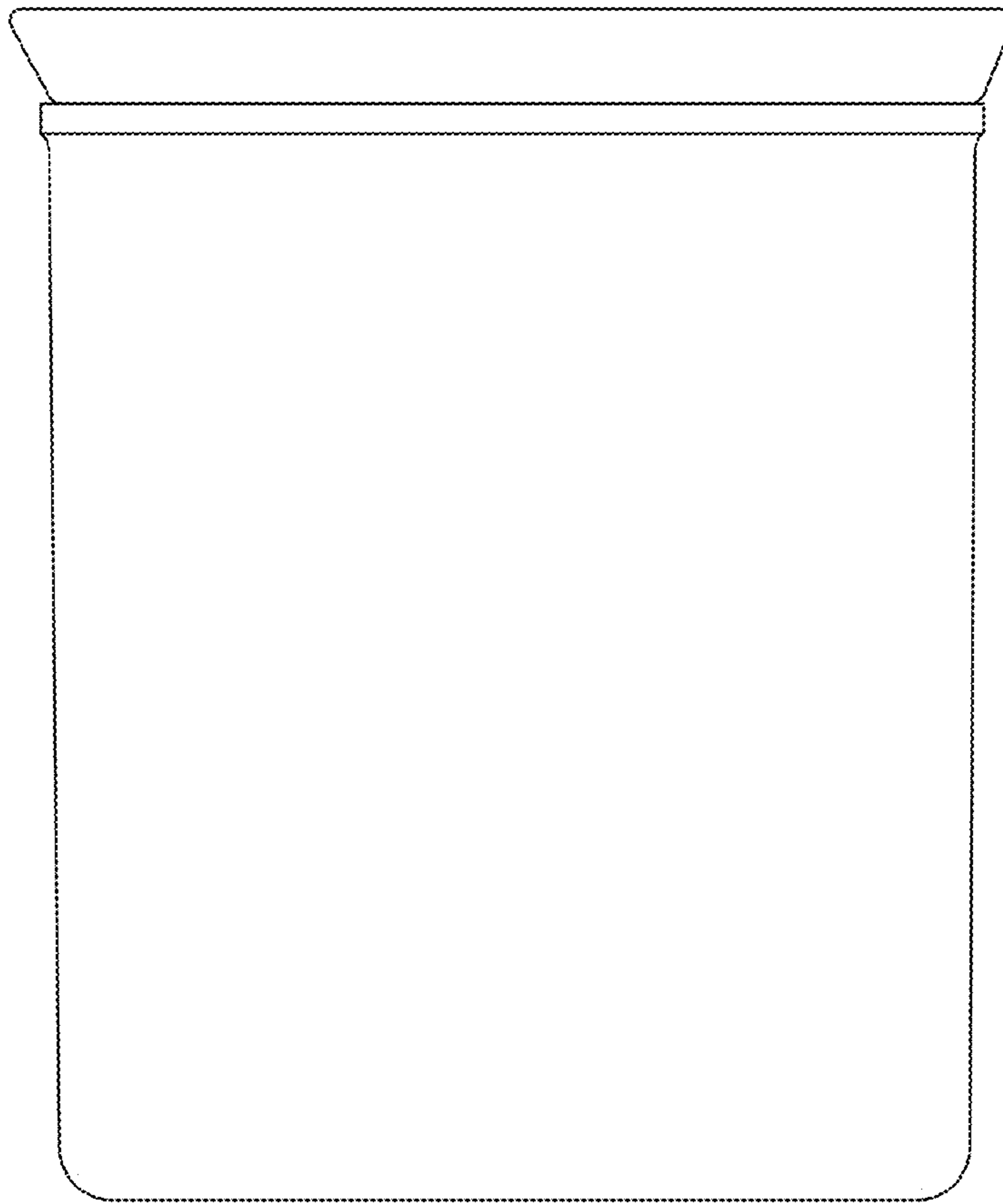


FIG. 6

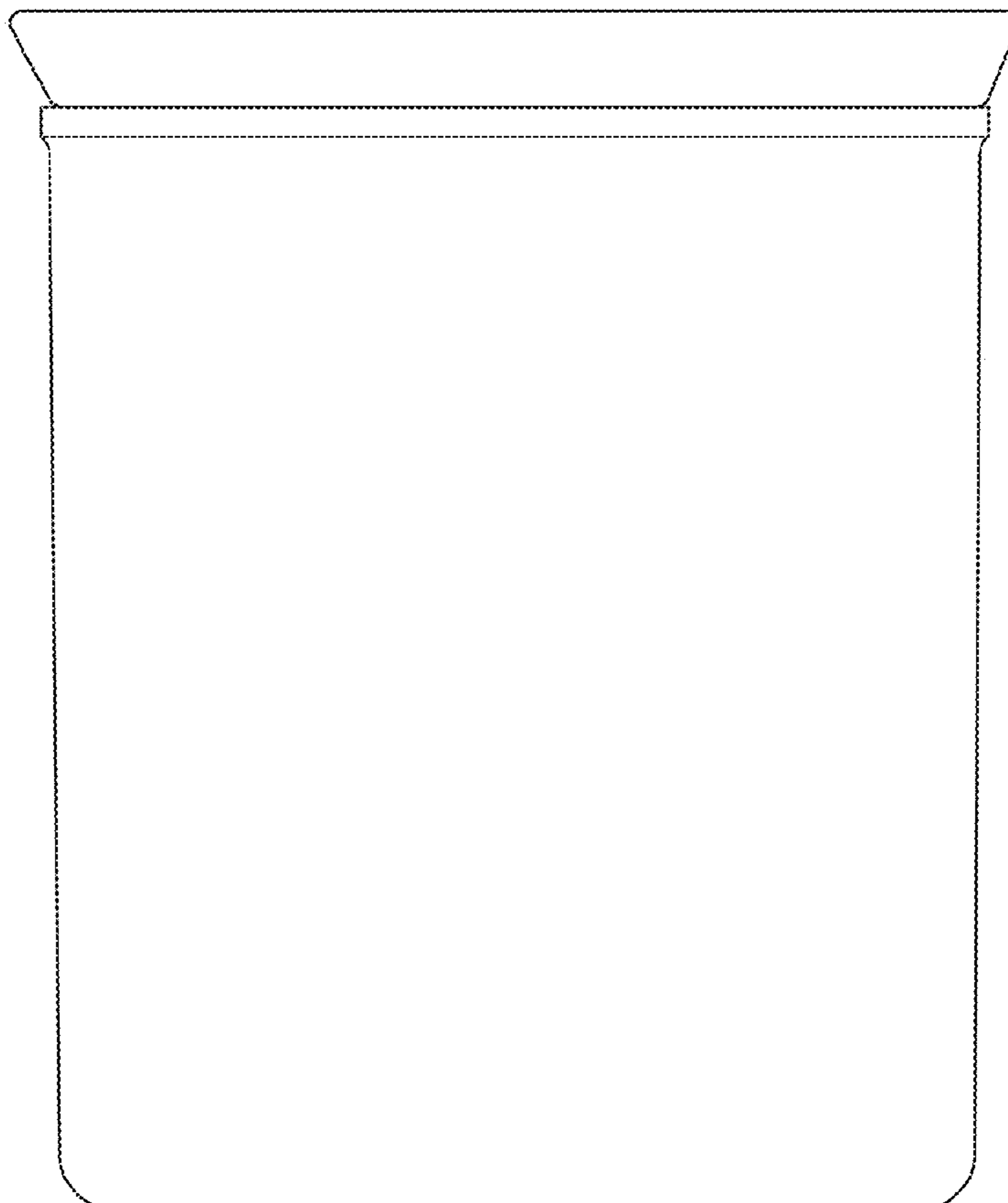


FIG. 7