



US00D918669S

(12) **United States Design Patent**  
**Lucas**

(10) **Patent No.:** **US D918,669 S**

(45) **Date of Patent:** **\*\* May 11, 2021**

(54) **STORAGE CONTAINER**

(71) Applicant: **Beau Lucas**, St. Petersburg, FL (US)

(72) Inventor: **Beau Lucas**, St. Petersburg, FL (US)

(\*\*) Term: **15 Years**

(21) Appl. No.: **29/651,787**

(22) Filed: **Mar. 18, 2019**

(51) **LOC (13) Cl.** ..... **09-07**

(52) **U.S. Cl.**  
USPC ..... **D7/629**; D9/549

(58) **Field of Classification Search**  
USPC ..... D7/629, 509, 510, 511, 513, 601, 602,  
D7/701, 708, 619.1, 369.1, 396.2, 397,  
D7/401.1, 413, 213; D9/763, 772, 776,  
D9/516, 549, 550, 558, 574, 414, 424,  
D9/434, 435; D3/201, 203.1, 203.2,  
D3/203.3, 203.5, 203.6, 202; D19/102  
CPC ... B65D 1/00; B65D 1/04; B65D 1/10; B65D  
1/12; B65D 1/14; B65D 1/16; B65D  
1/165; B65D 25/00  
See application file for complete search history.

(56) **References Cited**

**U.S. PATENT DOCUMENTS**

2,079,177 A \* 5/1937 Membrino ..... B65D 3/12  
229/93  
D466,809 S \* 12/2002 Sagel ..... D9/428  
D586,768 S \* 2/2009 Inoue ..... D13/182

D596,024 S \* 7/2009 Fraguada McCoy ..... D9/428  
D611,013 S \* 3/2010 Takahashi ..... D13/182  
D654,374 S \* 2/2012 Lauder ..... D9/715  
D669,777 S \* 10/2012 Brown ..... B65D 50/045  
D9/424  
D696,078 S \* 12/2013 Allen ..... D7/629  
D722,113 S \* 2/2015 Knight ..... D20/8  
D739,832 S \* 9/2015 Yamazaki ..... D13/182  
D770,993 S \* 11/2016 Yoshida ..... D13/182  
D772,531 S \* 11/2016 Troia ..... D2/706  
D856,798 S \* 8/2019 Giraud ..... D9/420  
D868,726 S \* 12/2019 Kim ..... B65D 3/12  
D14/204  
2006/0219727 A1\* 10/2006 Giraud ..... B65D 50/045  
220/839

\* cited by examiner

*Primary Examiner* — Susan E Krakower  
*Assistant Examiner* — Andrew Kerr

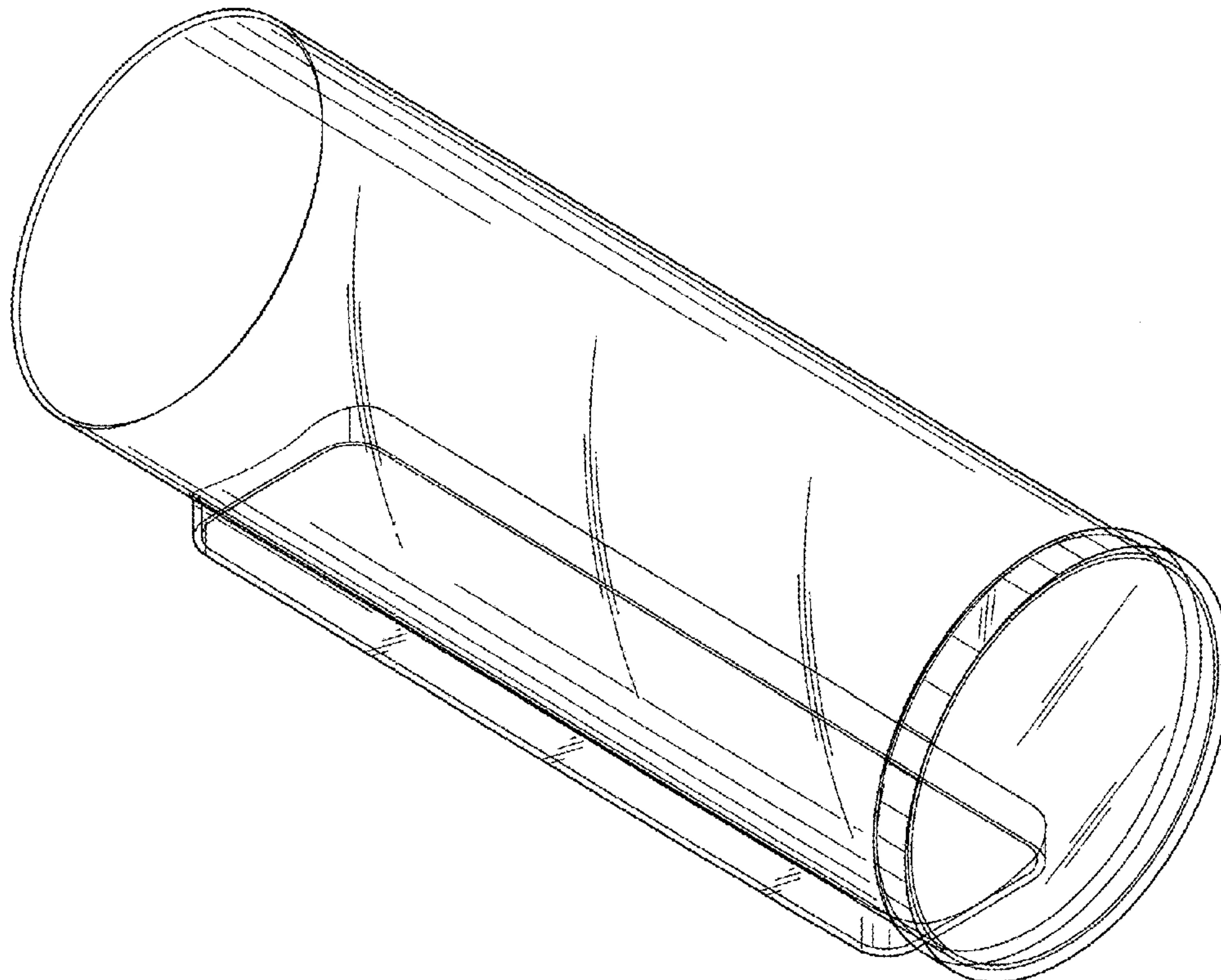
(57) **CLAIM**

The ornamental design for a storage container, as shown and described.

**DESCRIPTION**

FIG. 1 is a front isometric view of a storage container, showing my new design;  
FIG. 2 is a front elevation view thereof;  
FIG. 3 is a back elevation view thereof;  
FIG. 4 is a left-side elevation view thereof;  
FIG. 5 is a right-side elevation view thereof;  
FIG. 6 is a top plan view thereof;  
FIG. 7 is a bottom plan view thereof; and,  
FIG. 8 is an isometric exploded view thereof.

**1 Claim, 7 Drawing Sheets**



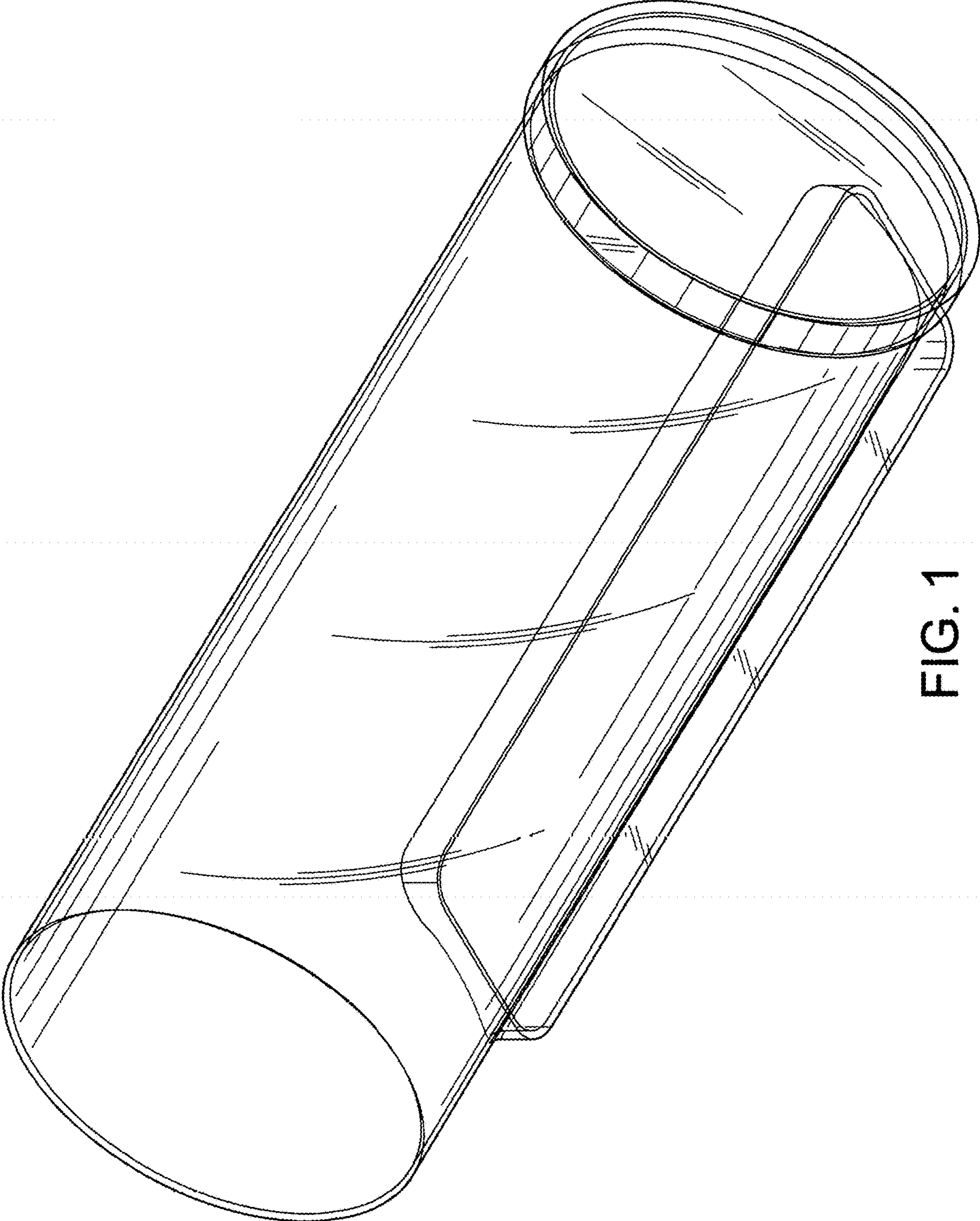


FIG. 1

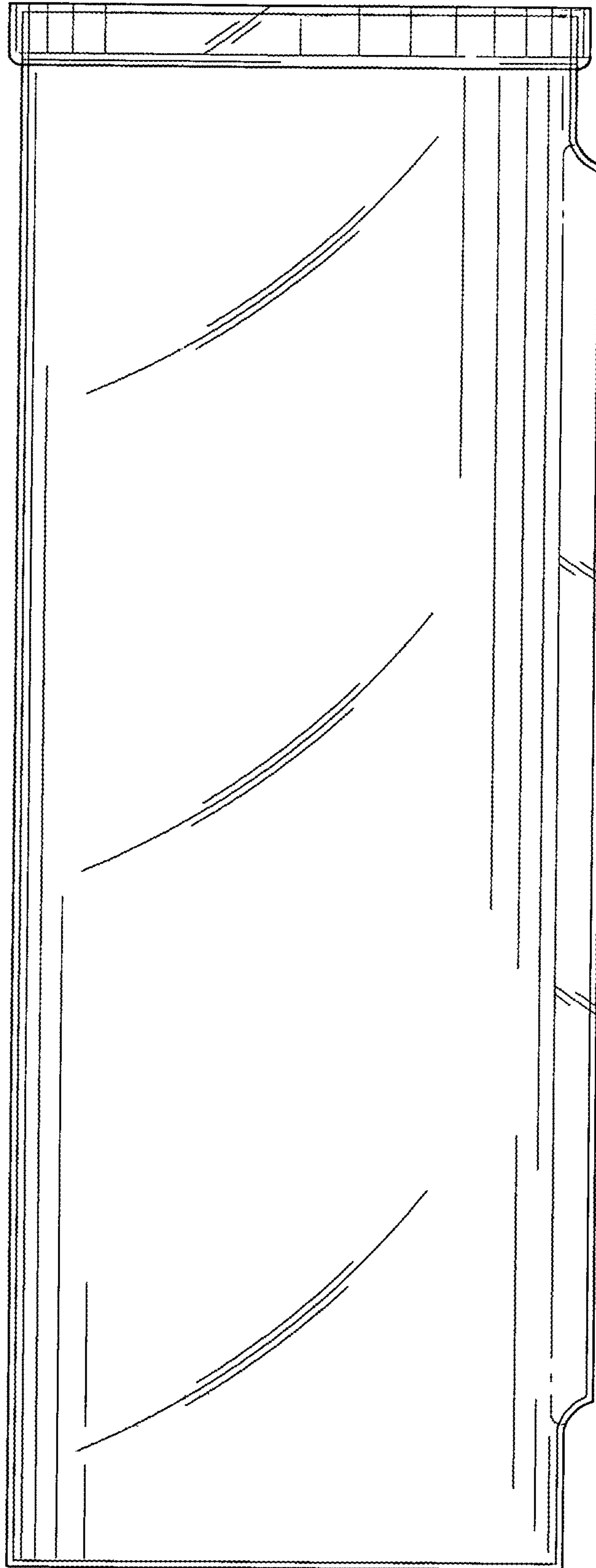


FIG. 2



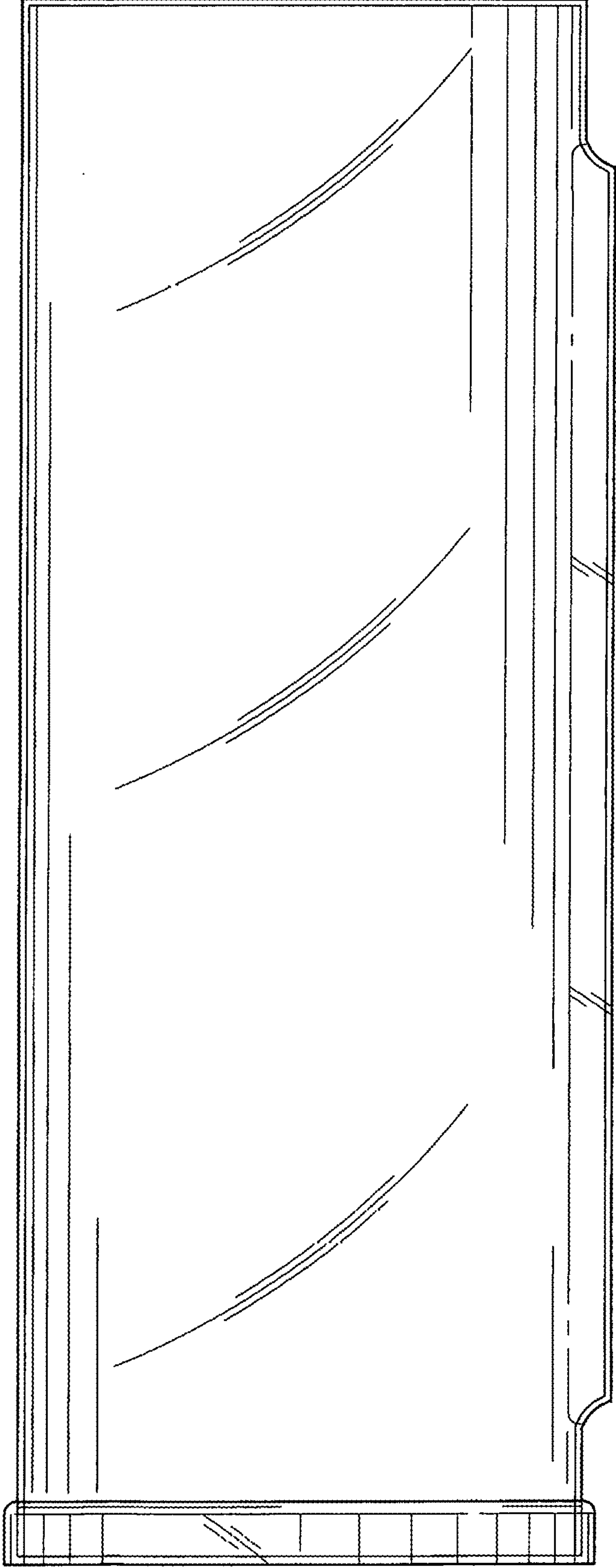


FIG. 3

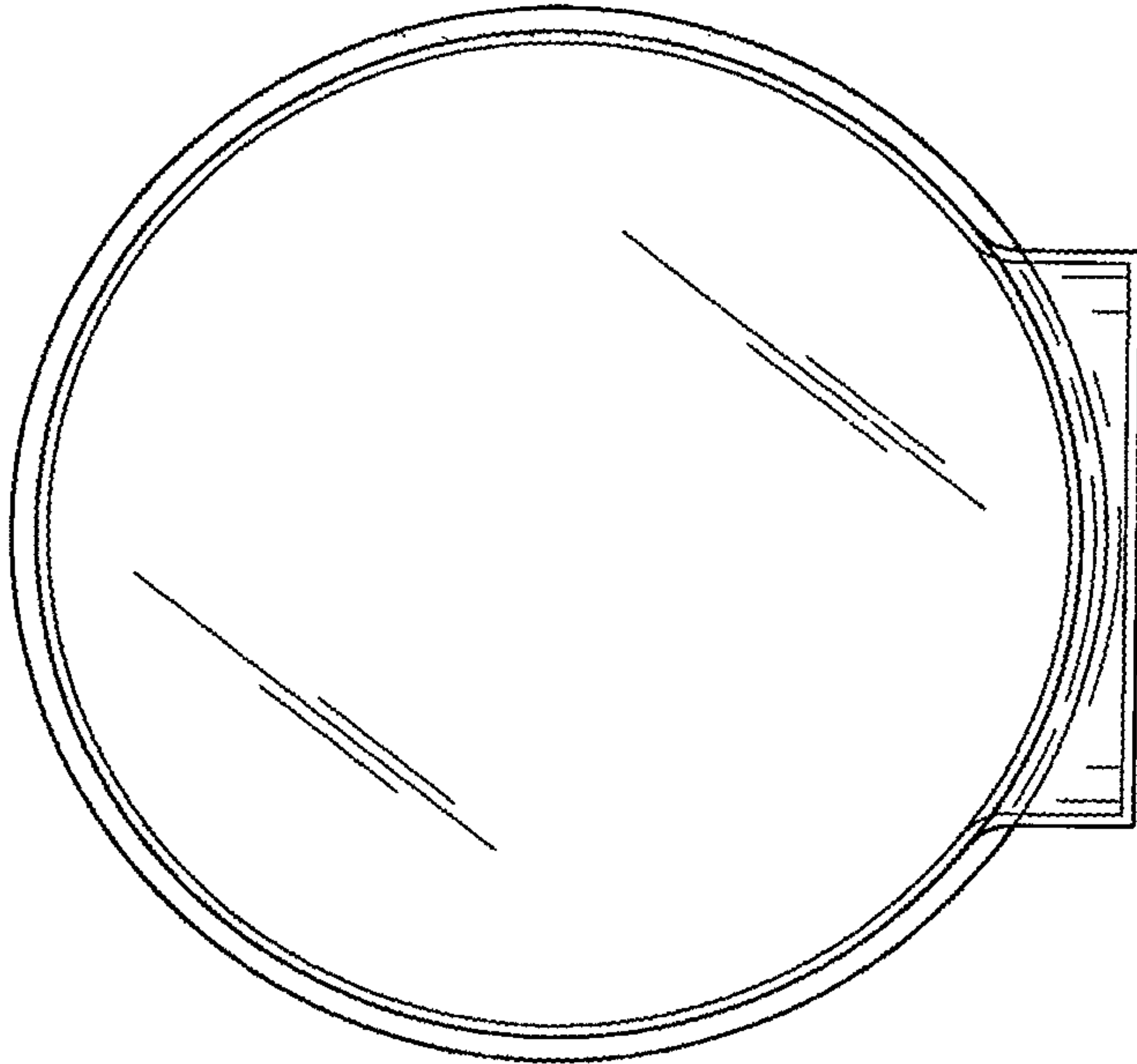


FIG. 5

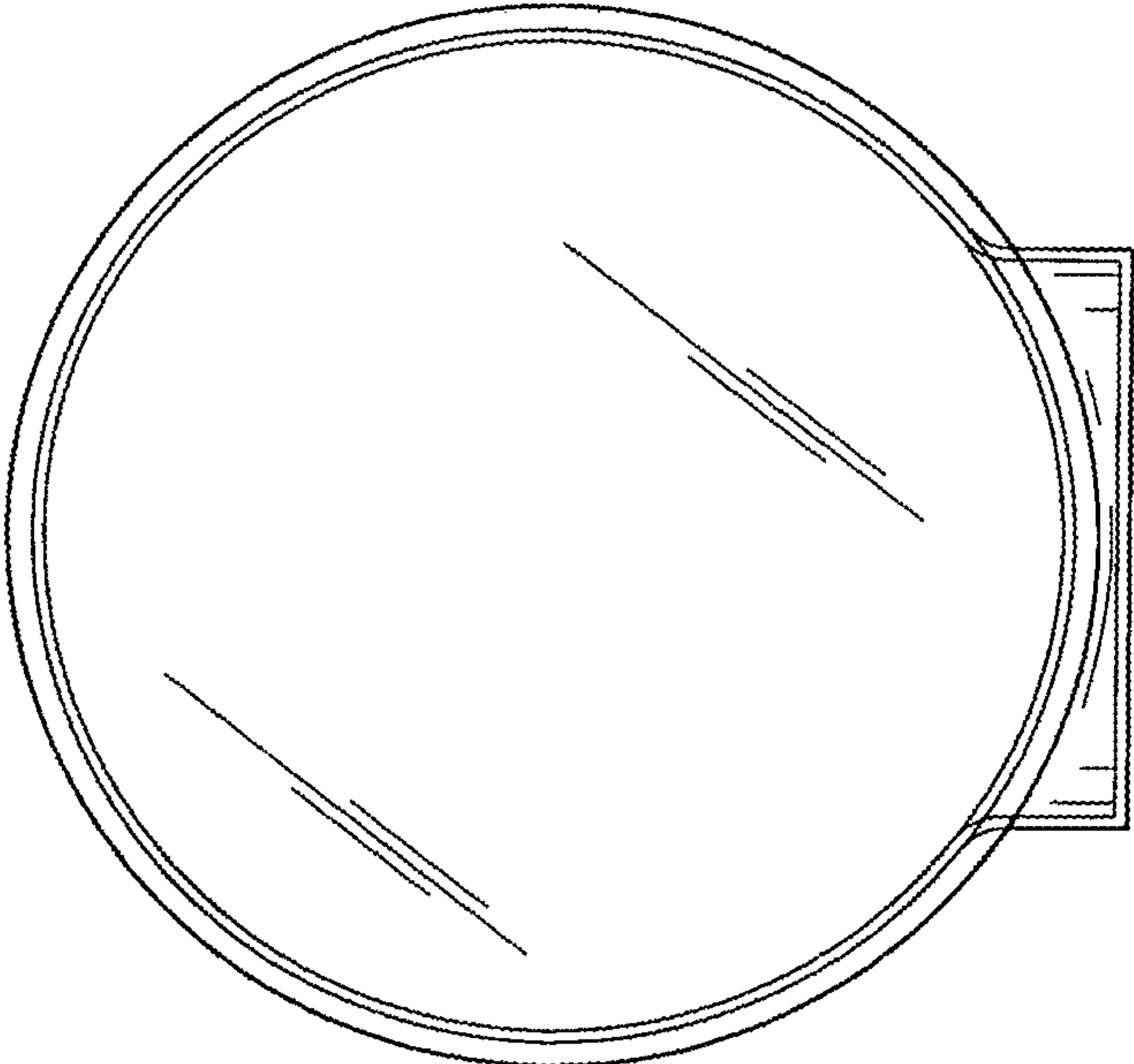


FIG. 4

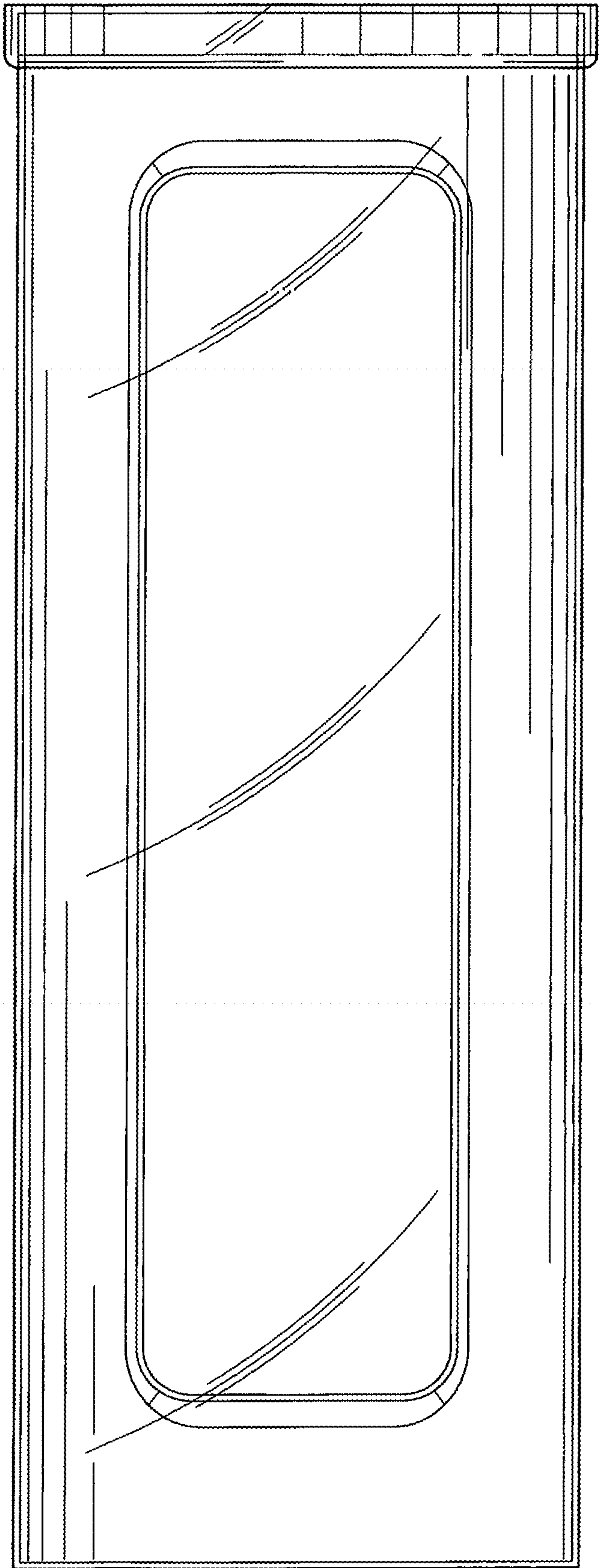


FIG. 6

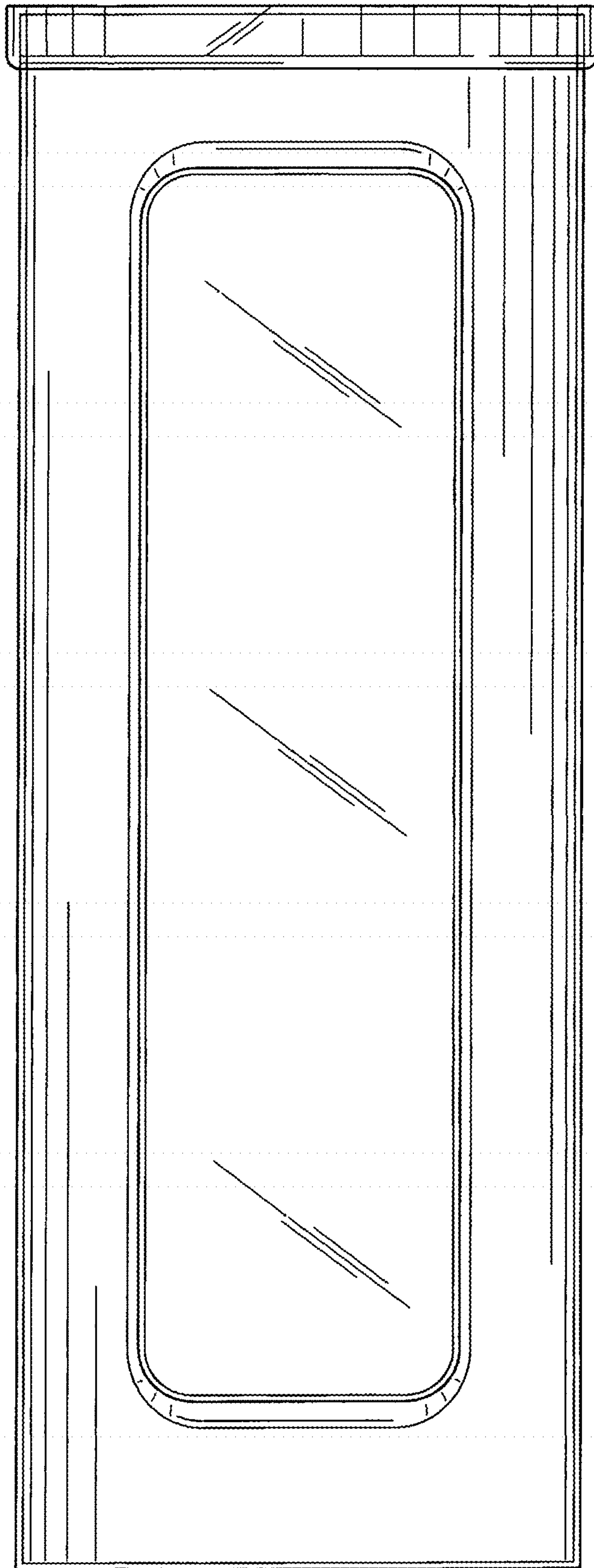


FIG. 7

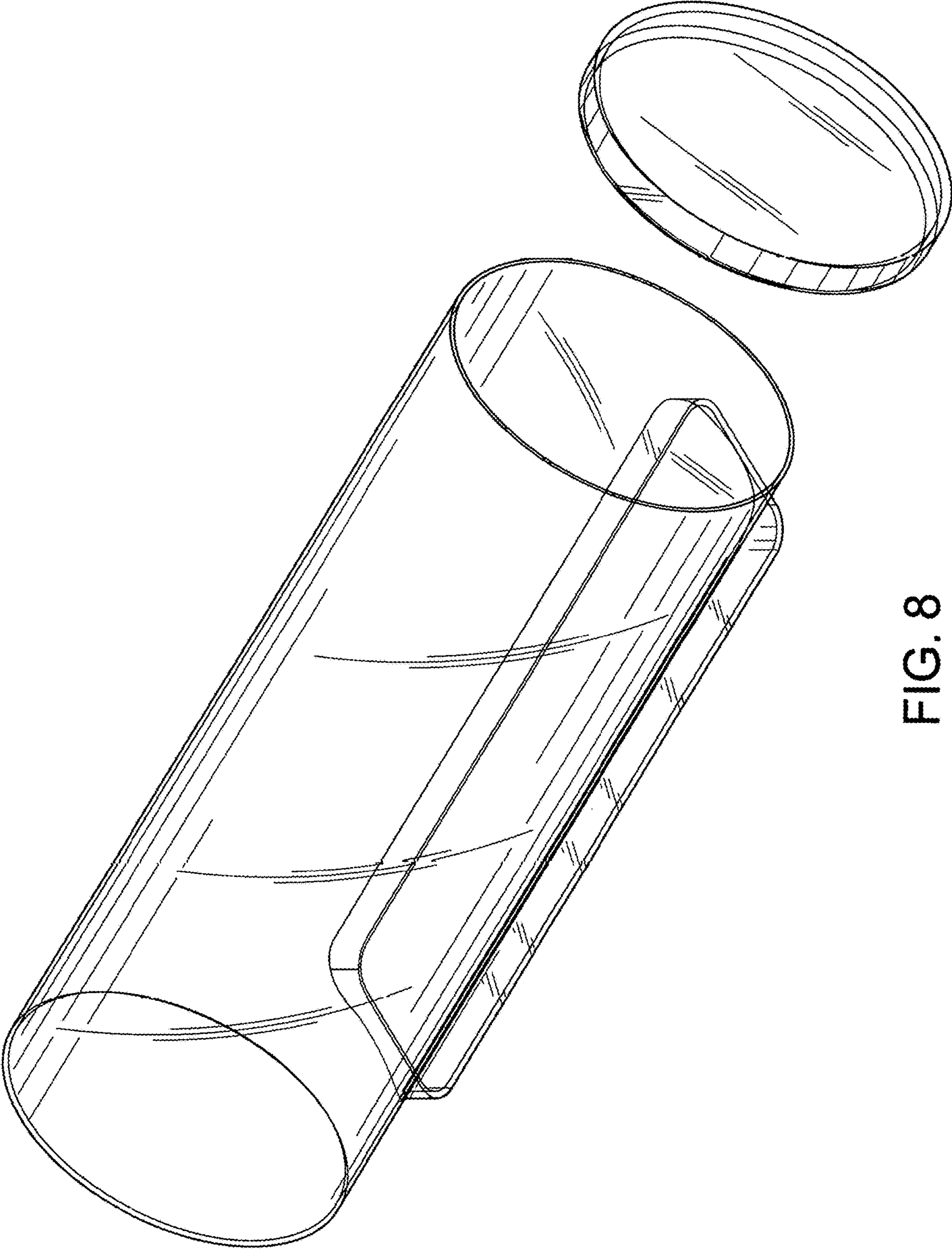


FIG. 8