



US00D918668S

(12) **United States Design Patent** (10) **Patent No.:** **US D918,668 S**  
**Morrow, Sr.** (45) **Date of Patent:** **\*\* May 11, 2021**

(54) **SMOKED TURKEY LEG CASE**  
(71) Applicant: **Kennedy Lorenzo Morrow, Sr.**,  
Missouri City, TX (US)  
(72) Inventor: **Kennedy Lorenzo Morrow, Sr.**,  
Missouri City, TX (US)  
(\*\*) Term: **15 Years**  
(21) Appl. No.: **29/652,687**  
(22) Filed: **Oct. 27, 2020**  
(51) **LOC (13) Cl.** ..... **09-07**  
(52) **U.S. Cl.**  
USPC ..... **D7/628**  
(58) **Field of Classification Search**  
USPC ..... D7/342, 345, 506, 539, 544, 552.1,  
D7/553.6, 554.2, 601-602, 609-610, 612,  
D7/628, 672; D9/414, 416, 428,  
D9/503-504, 549, 575, 643; D3/200,  
D3/211, 265-269, 271.2, 272-273, 276,  
D3/290, 903; D30/160  
CPC ..... B65D 85/62; B65D 25/10; B65D 85/54;  
A45C 11/04; A47J 47/12; A47J 47/02;  
A47J 47/08; A47J 47/10  
See application file for complete search history.

(56) **References Cited**  
U.S. PATENT DOCUMENTS  
4,371,079 A \* 2/1983 Dembicks ..... B27B 17/0008  
206/349  
D375,227 S \* 11/1996 Cyr ..... D7/538  
5,912,285 A \* 6/1999 Godsey ..... A01K 15/026  
119/707  
D476,808 S \* 7/2003 Carr ..... D3/271.2  
D481,867 S \* 11/2003 Hotz ..... D3/271.2  
6,857,533 B1 \* 2/2005 Jackson ..... B65D 85/68  
206/335  
D536,506 S \* 2/2007 Unlu ..... D1/106  
D559,625 S \* 1/2008 Ablo ..... D7/538  
7,410,662 B1 \* 8/2008 Tsengas ..... A01K 15/026  
119/709

D576,358 S \* 9/2008 Rutherford ..... D30/160  
D604,116 S \* 11/2009 Braidotti ..... D7/628  
D621,103 S \* 8/2010 Kim ..... D30/160  
D621,728 S \* 8/2010 Au ..... D10/46  
D632,742 S \* 2/2011 Mueller ..... D21/333  
(Continued)

**FOREIGN PATENT DOCUMENTS**

CN 303808976 \* 8/2016  
CN 304659855 \* 6/2018

**OTHER PUBLICATIONS**

Turkey Drumstick Super Chewer Dog Toy, BarkBox, woofwoofmama.com, published by blogger Liz on Jan. 24, 2021 © 2020 Woof Woof Mama LLC, online, site visited Apr. 30, 2020. Available from Internet, URL: <https://woofwoofmama.com/2019/11/20/thanksgiving-super-chewer-box-coupon-review/> (Year: 2019).\*

(Continued)

*Primary Examiner* — Marissa J Cash  
*Assistant Examiner* — Altaira J Swangin  
(74) *Attorney, Agent, or Firm* — Dunlap Bennett & Ludwig, PLLC

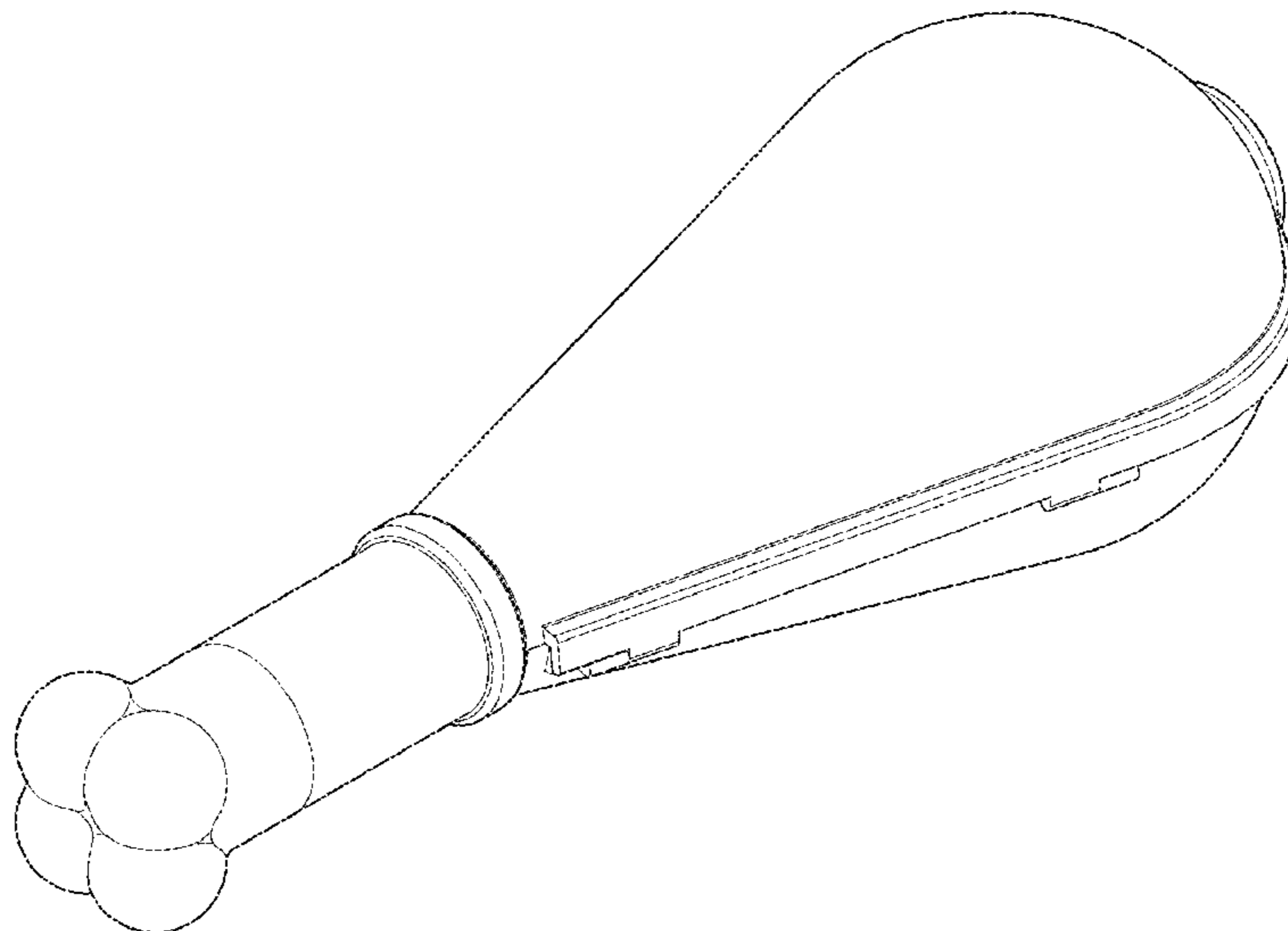
(57) **CLAIM**

The ornamental design for a smoked turkey leg case, as shown and described.

**DESCRIPTION**

FIG. 1 is a perspective view of a smoked turkey leg case, showing my new design;  
FIG. 2 is a front elevation view thereof;  
FIG. 3 is a rear elevation view thereof;  
FIG. 4 is a right-side elevation view thereof;  
FIG. 5 is a left-side elevation view thereof;  
FIG. 6 is a top plan view thereof; and,  
FIG. 7 is a bottom plan view thereof.

**1 Claim, 4 Drawing Sheets**



(56)

**References Cited**

U.S. PATENT DOCUMENTS

D644,933	S *	9/2011	Whitlock .....	D9/601
D656,847	S *	4/2012	Ho .....	D10/57
D658,932	S *	5/2012	Facey .....	D7/354
D684,019	S *	6/2013	Facey .....	D7/674
D708,417	S *	7/2014	Allen .....	D1/106
D740,500	S *	10/2015	Wickens .....	D30/160
D789,755	S *	6/2017	Morrow, Sr. ....	D7/628
D840,629	S *	2/2019	Packard .....	D99/5
10,327,596	B2	6/2019	Morrow, Sr.	
D897,161	S *	9/2020	Morrow, Sr. ....	D7/628
D899,014	S *	10/2020	Wolfe, Jr. ....	D30/160
2016/0287023	A1 *	10/2016	Morrow, Sr. ....	A47J 47/02

OTHER PUBLICATIONS

Turkey Leg/Chicken Drumstick, Greg Spilman, thingiverse.com, published by Greg Spilman on Nov. 16, 2014 © 2021 MakerBot Industries, LLC, online, site visited Jan. 24, 2021. Available from Internet, URL: <https://www.thingiverse.com/thing:547968> (Year: 2014).\*

Smoked Turkey Leg Holder, Kennedy Morrow Sr., fox26houston.com, published by John Donnelly on Feb. 26, 2016 © 2021 Fox Television Stations, LLC, online, site visited Jan. 24, 2021. Available from Internet, URL: <https://www.fox26houston.com/news/military-veterans-compete-to-promote-their-emerging> . . . (Year: 2016).\*

\* cited by examiner

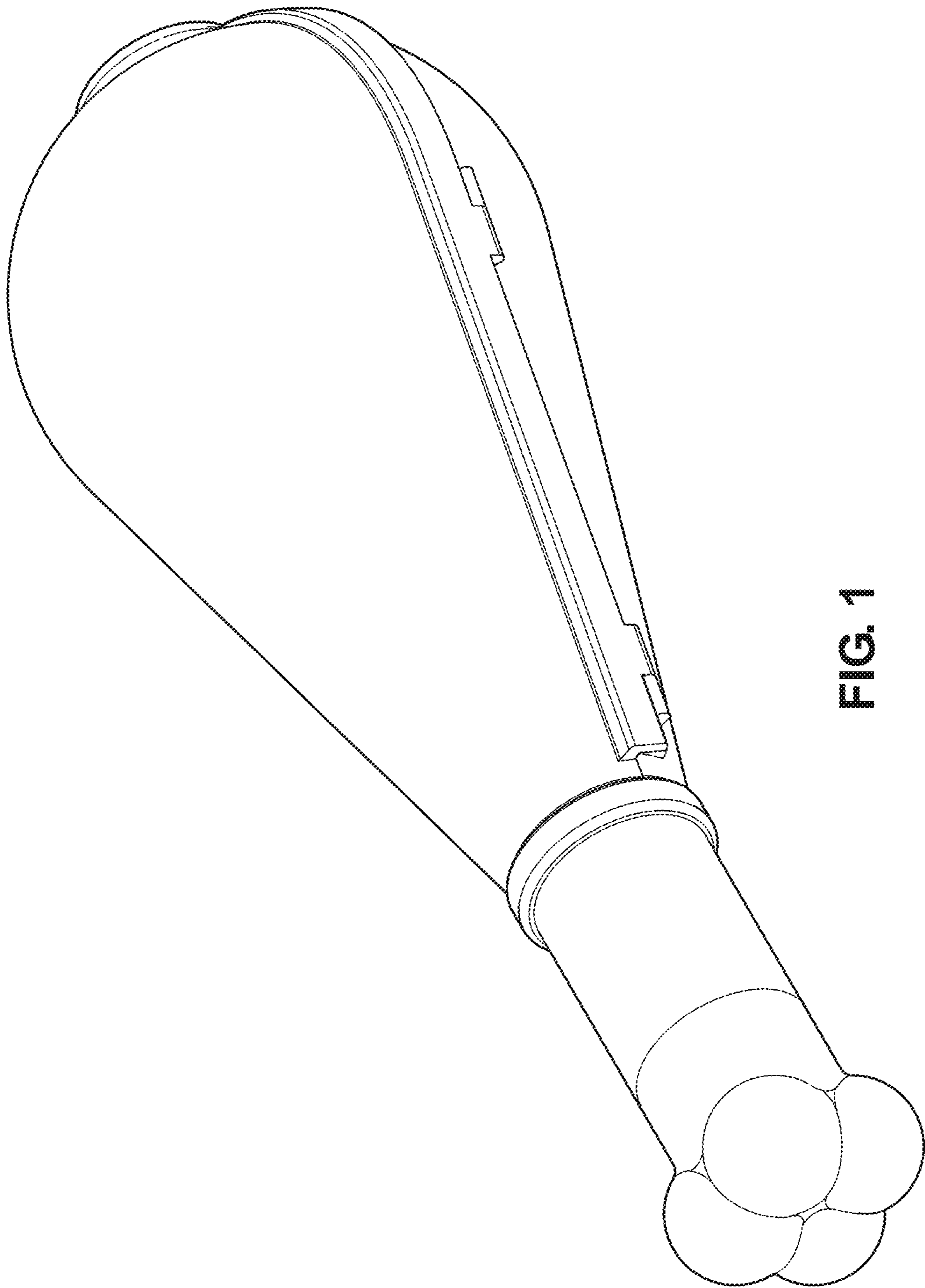


FIG. 1

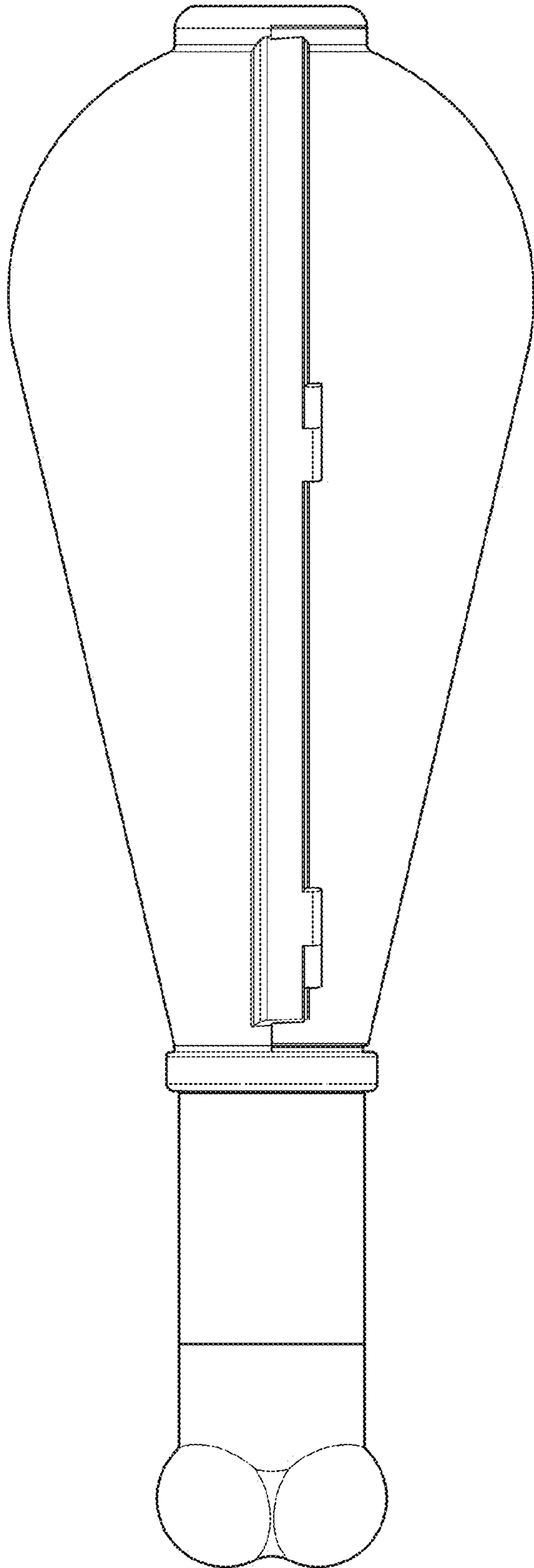


FIG. 2

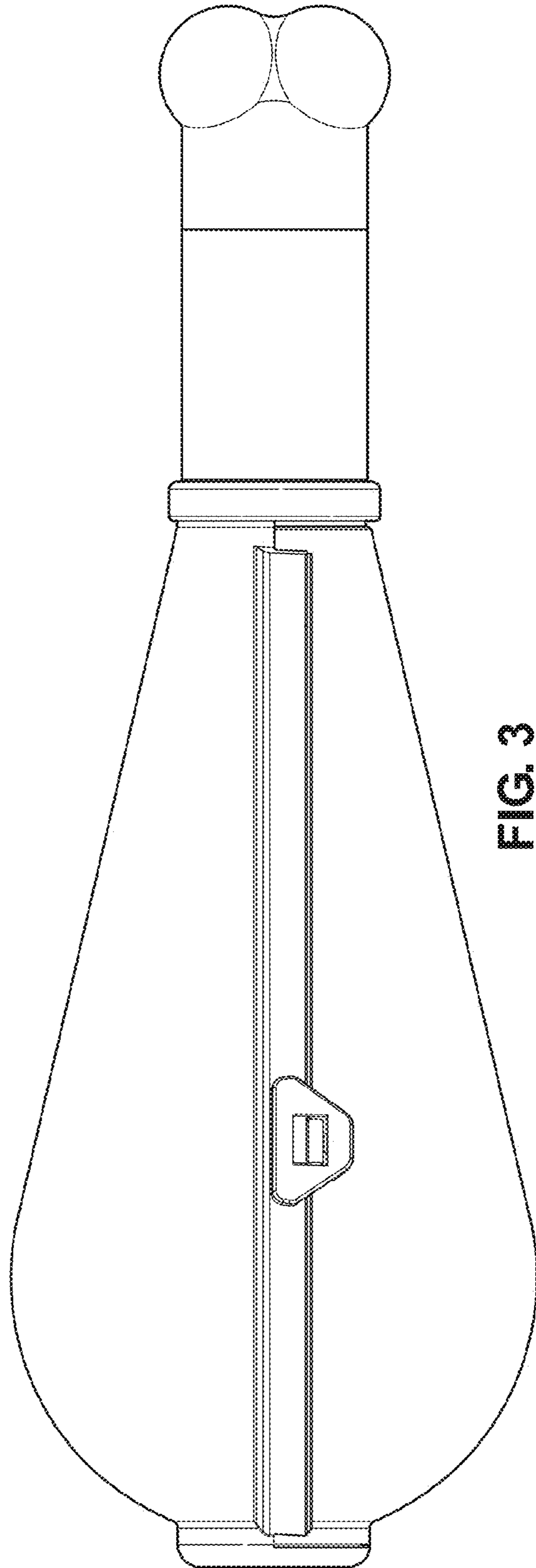


FIG. 3

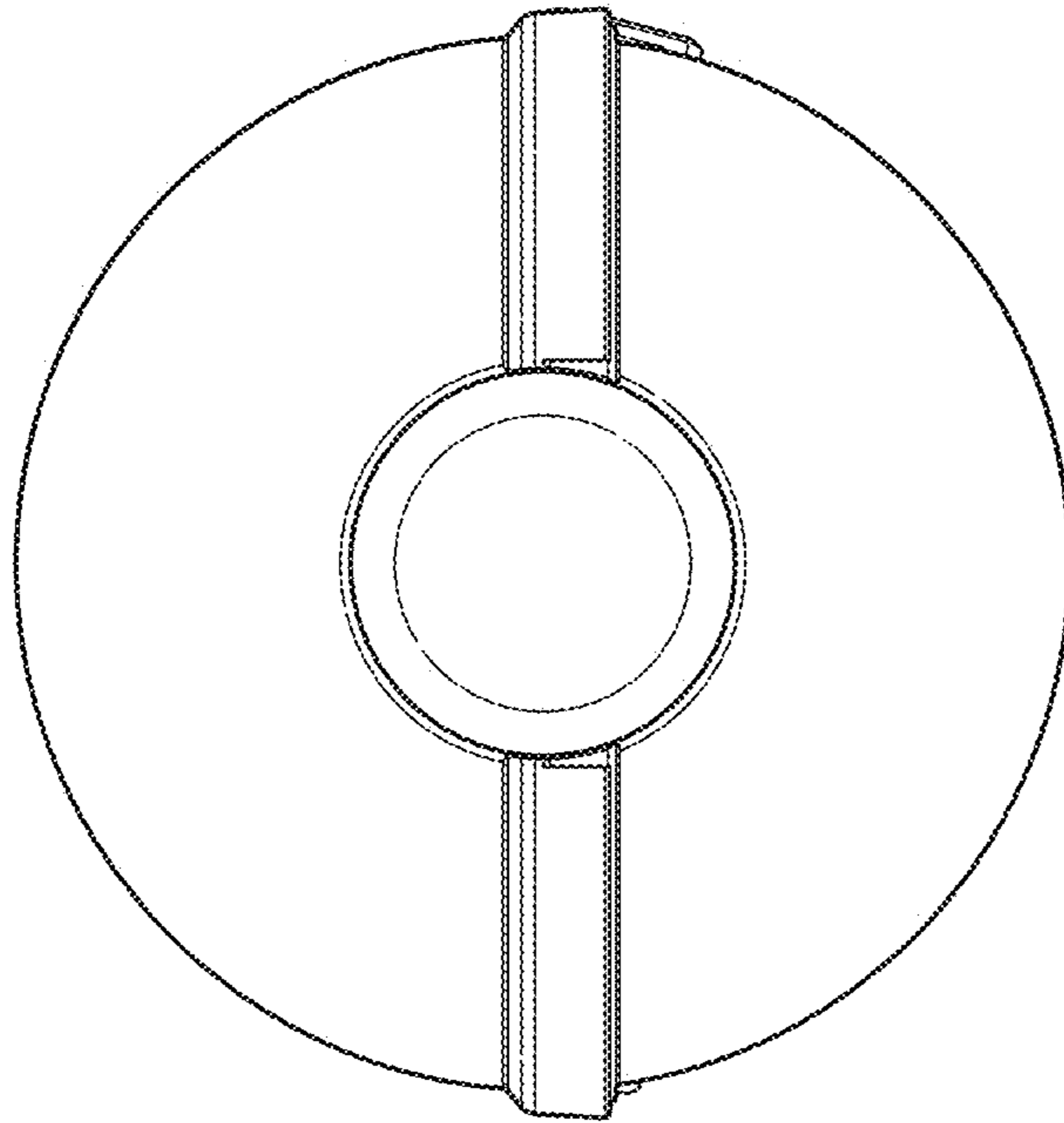


FIG. 5

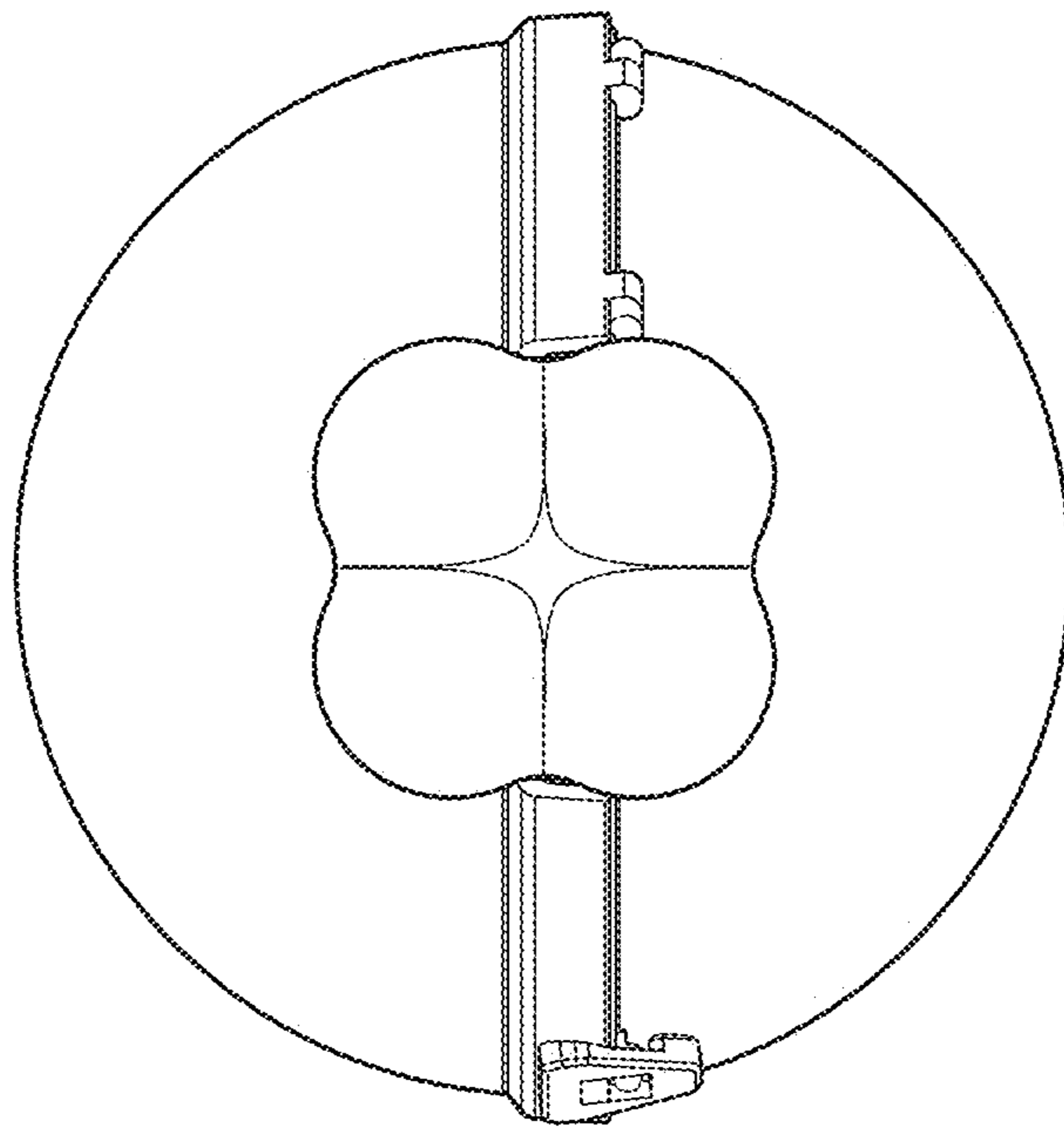


FIG. 4

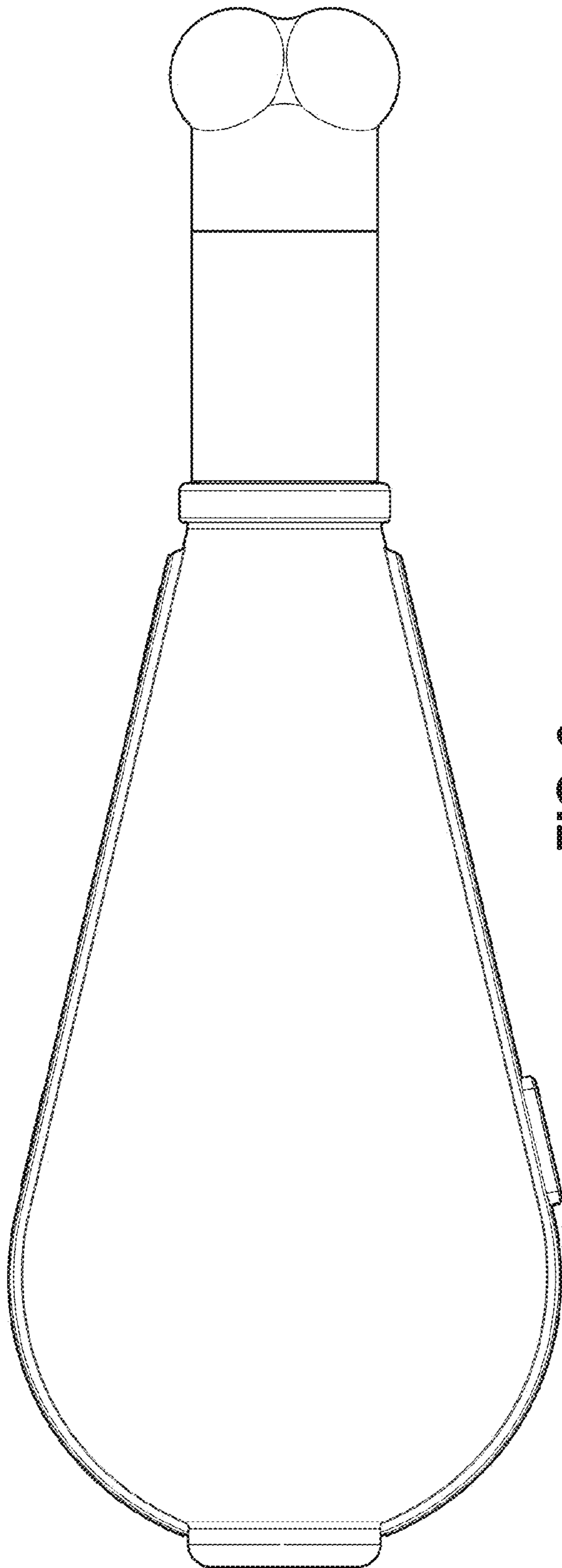


FIG. 6

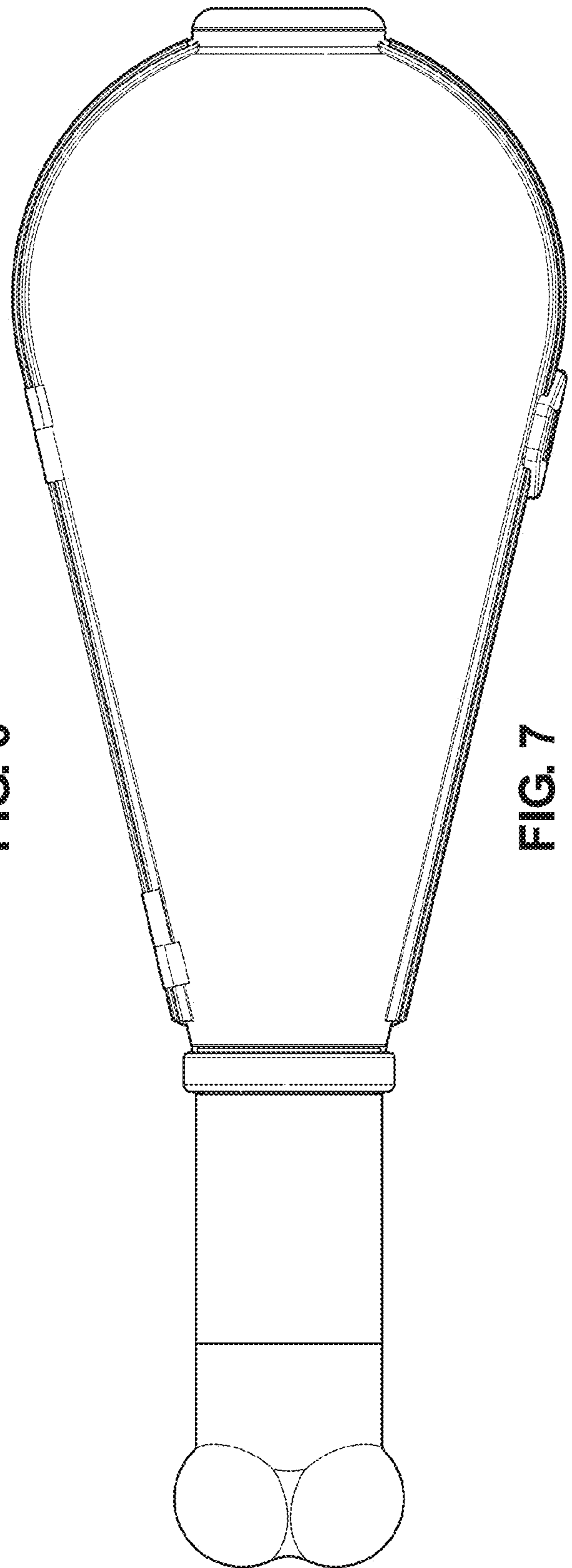


FIG. 7