



US00D918667S

(12) **United States Design Patent** (10) **Patent No.:** **US D918,667 S**  
**Zhang** (45) **Date of Patent:** **\*\* May 11, 2021**

(54) **BREAD BOX**

(71) Applicant: **EASEPAL ENTERPRISES, LIMITED**, Hong Kong (CN)

(72) Inventor: **Kykyo Zhang**, Xiamen (CN)

(73) Assignee: **EASEPAL ENTERPRISES, LIMITED**, Hong Kong (CN)

(\*\*) Term: **15 Years**

(21) Appl. No.: **29/752,734**

(22) Filed: **Sep. 29, 2020**

**Related U.S. Application Data**

(63) Continuation-in-part of application No. 29/713,936, filed on Nov. 20, 2019.

(51) **LOC (13) Cl.** ..... **07-07**

(52) **U.S. Cl.**  
USPC ..... **D7/609**

(58) **Field of Classification Search**  
USPC ..... D7/601, 602, 609, 629; D6/657, 661, D6/663, 664, 669, 670, 672, 675, 675.4; D15/79, 81

CPC .. B65D 1/22; B65D 81/3813; B65D 2581/00; B65D 2581/3405; B65D 2581/3406

See application file for complete search history.

(56) **References Cited**

**U.S. PATENT DOCUMENTS**

D116,229 S *	8/1939	Garten	.....	D7/609
2,319,433 A *	5/1943	Phillips	.....	A47F 3/0404
				312/116
D161,771 S *	1/1951	Lumley	.....	D7/609
D264,031 S *	4/1982	Sorensen	.....	D6/661.2
D291,644 S *	9/1987	Osborn	.....	D6/670
D304,133 S *	10/1989	Casselmann	.....	D6/672
D332,332 S *	1/1993	Markey	.....	D34/1
5,433,140 A *	7/1995	Ogee	.....	A47J 47/12
				312/71

(Continued)

**OTHER PUBLICATIONS**

TQVAI bamboo bread box| posted atAmazon.com, posted on Apr. 9, 2020, © 1996-2021 Amazon.com, [online], [site visited Feb. 17, 2021]. Available from Internet, <URL: https://www.amazon.com/TQVAI-Natural-Cutlery-Separable-Organizer/dp/B086X9JRSZ/> (Year: 2020).\*

(Continued)

*Primary Examiner* — Susan E Krakower

*Assistant Examiner* — Andrew Kerr

(74) *Attorney, Agent, or Firm* — Bayramoglu Law Offices LLC

(57) **CLAIM**

The ornamental design for a bread box, as shown and described.

**DESCRIPTION**

FIG. 1 is a front perspective view of a bread box showing my new design;

FIG. 2 is a front view thereof;

FIG. 3 is a rear view thereof;

FIG. 4 is a right side view thereof;

FIG. 5 is a left side view thereof;

FIG. 6 is a top view thereof;

FIG. 7 is a rear perspective view thereof;

FIG. 8 is a front perspective view thereof with doors in an opened configuration;

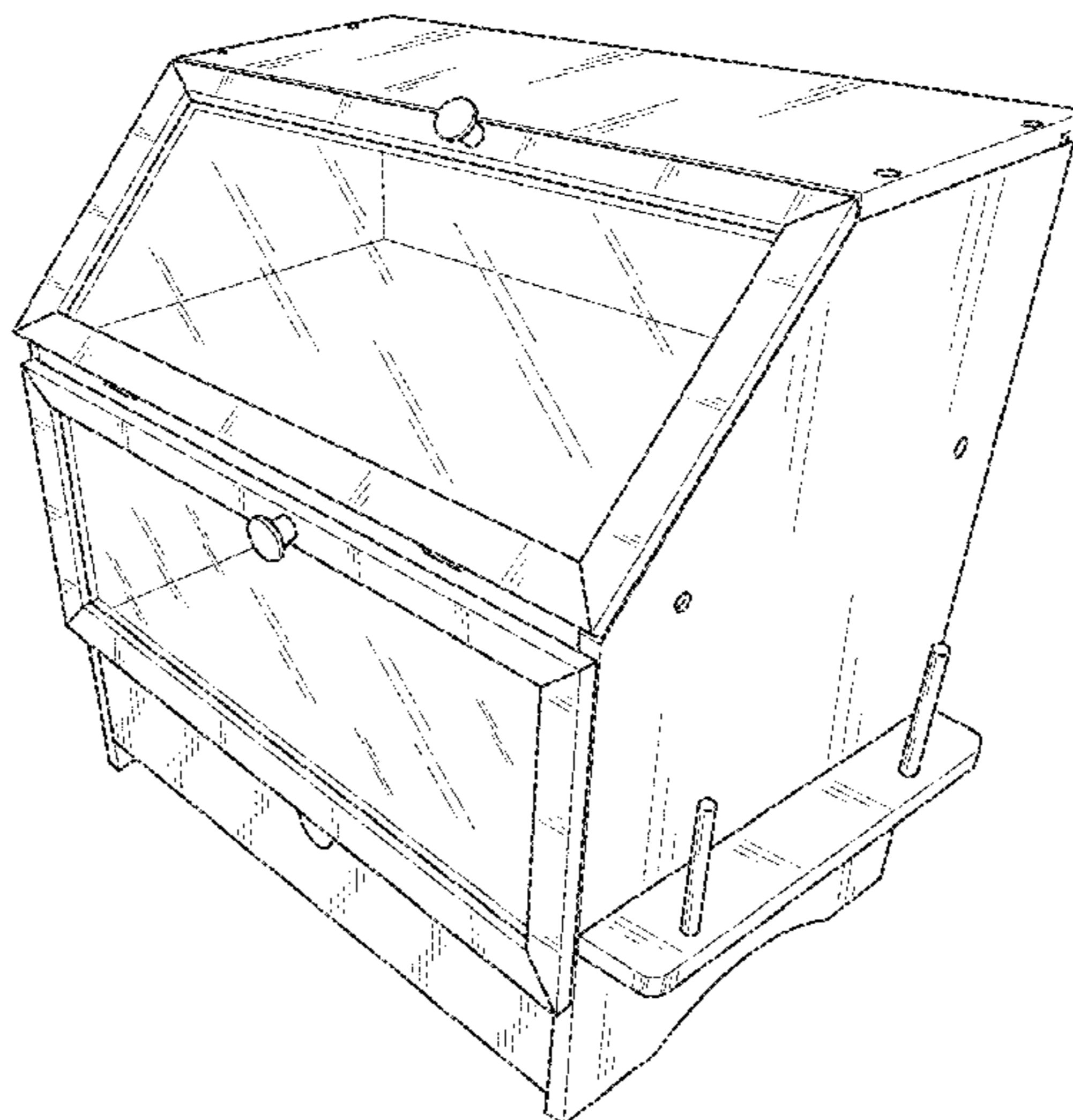
FIG. 9 is a front perspective view thereof with a drawer in an opened configuration;

FIG. 10 is a front perspective view thereof with the drawer having two partitions; and,

FIG. 11 is a front perspective view thereof with the drawer having four partitions.

A bottom plan view of the bread box is not provided as it does not contain any ornamentality.

**1 Claim, 11 Drawing Sheets**



(56)

**References Cited**

U.S. PATENT DOCUMENTS

D369,523	S *	5/1996	Olson	.....	D6/522
D371,918	S *	7/1996	Brunner	.....	D6/670
D397,826	S *	9/1998	McDiarmid	.....	D19/81
D414,084	S	9/1999	Schmidt		
D484,752	S	1/2004	Verbeek		
D498,616	S *	11/2004	Hohler	.....	A01G 9/249 D6/661.3
D560,978	S	2/2008	Daams		
D594,254	S *	6/2009	Mori	.....	D6/661
D644,839	S *	9/2011	Pitts	.....	D3/295
D664,790	S *	8/2012	Christopher	.....	D6/670
D682,040	S *	5/2013	Tiemann	.....	A01G 9/16 D7/600.4
D882,344	S	4/2020	Lin		
2015/0096225	A1 *	4/2015	Gervais	.....	A01G 9/16 47/17
2016/0029574	A1 *	2/2016	He	.....	A01G 9/249 700/276

OTHER PUBLICATIONS

Wooden bread box| posted atworthpoint.com, no posting date, 2021,  
 © 1996-2021 Worthpoint.com, [online], [site visited Feb. 17, 2021].  
 Available from Internet, <URL: <https://www.worthpoint.com/worthopedia/vintage-wood-wooden-roll-top-bread-9032186>> (Year: 2021).\*

\* cited by examiner

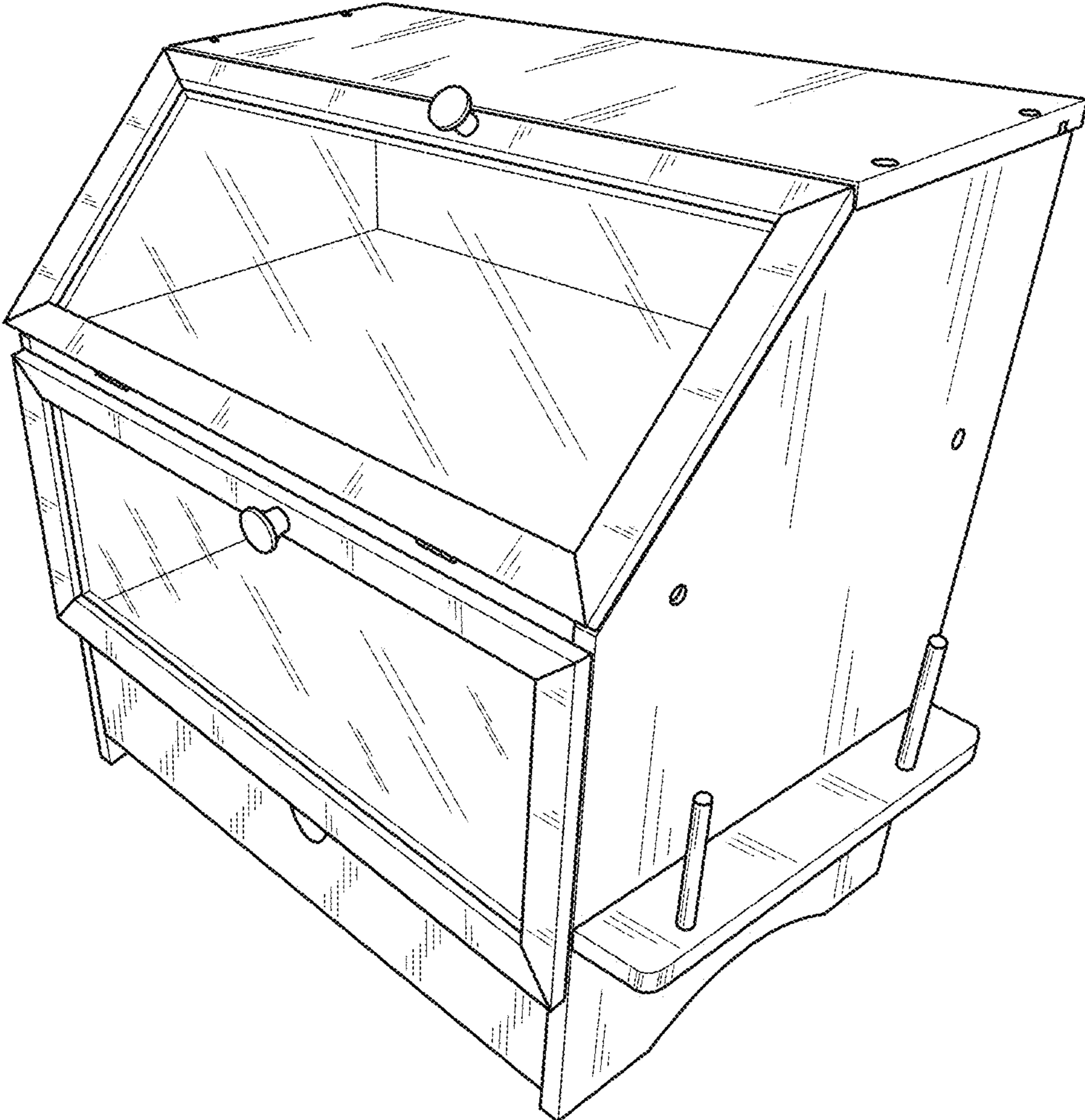


FIG. 1

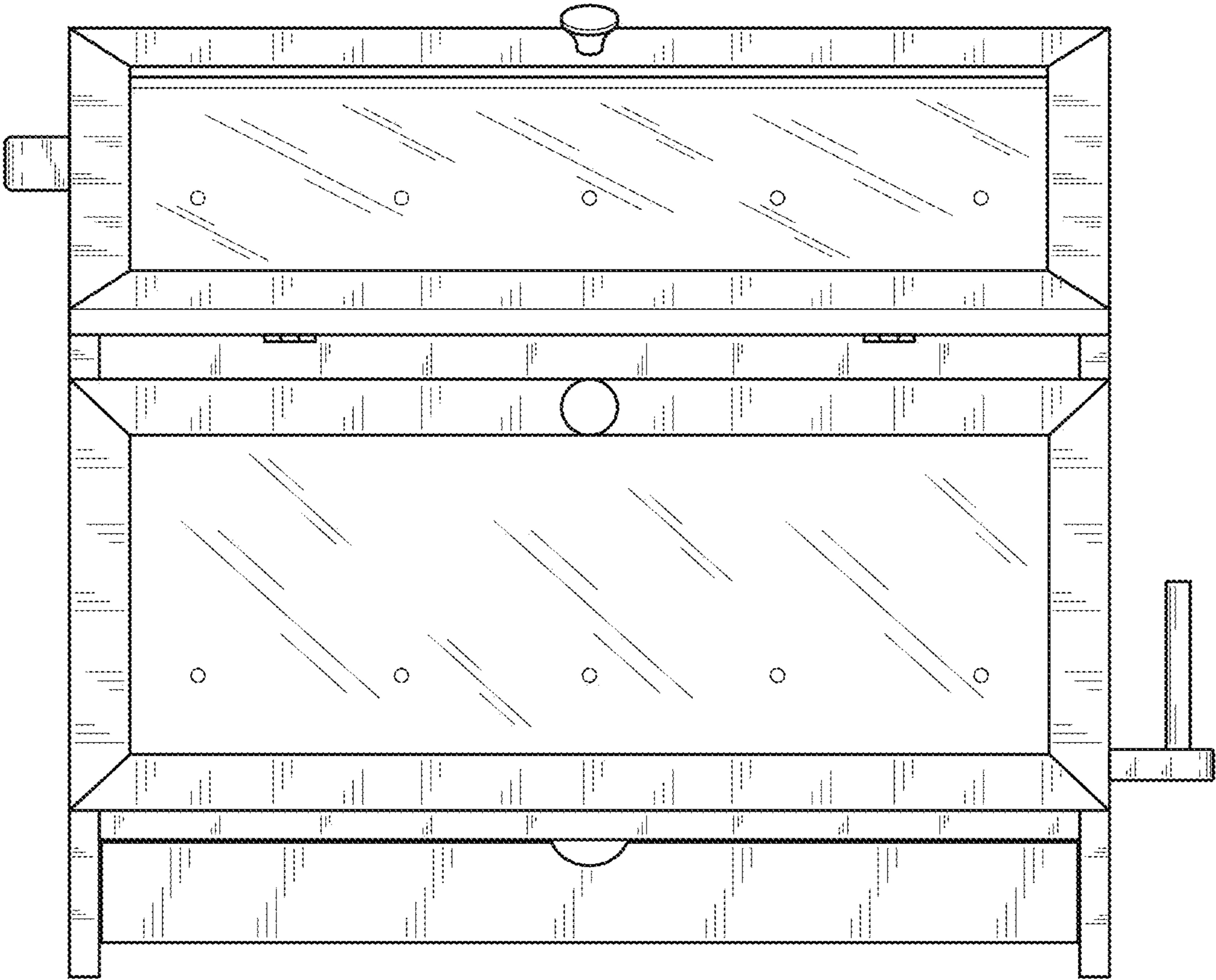


FIG. 2



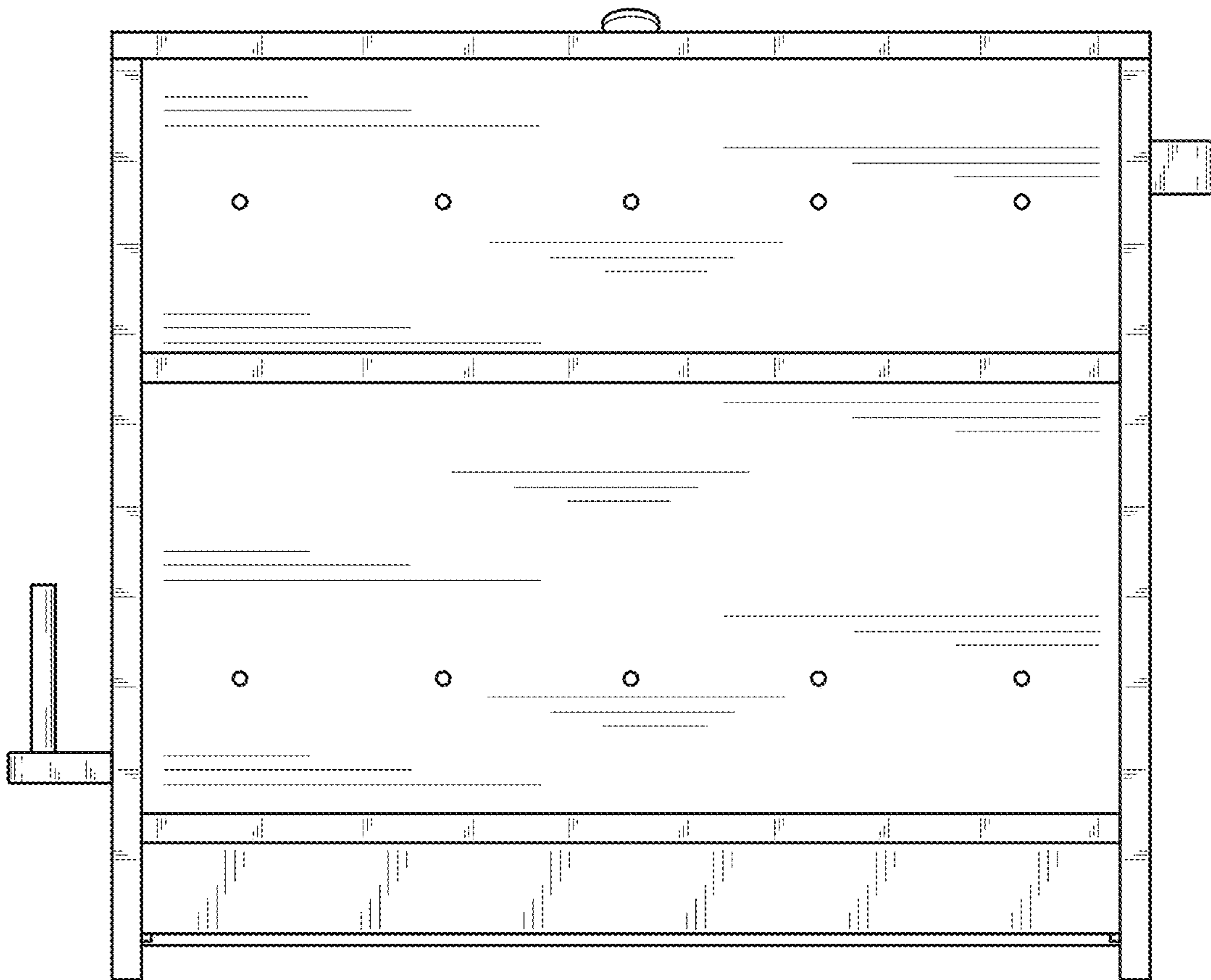


FIG. 3

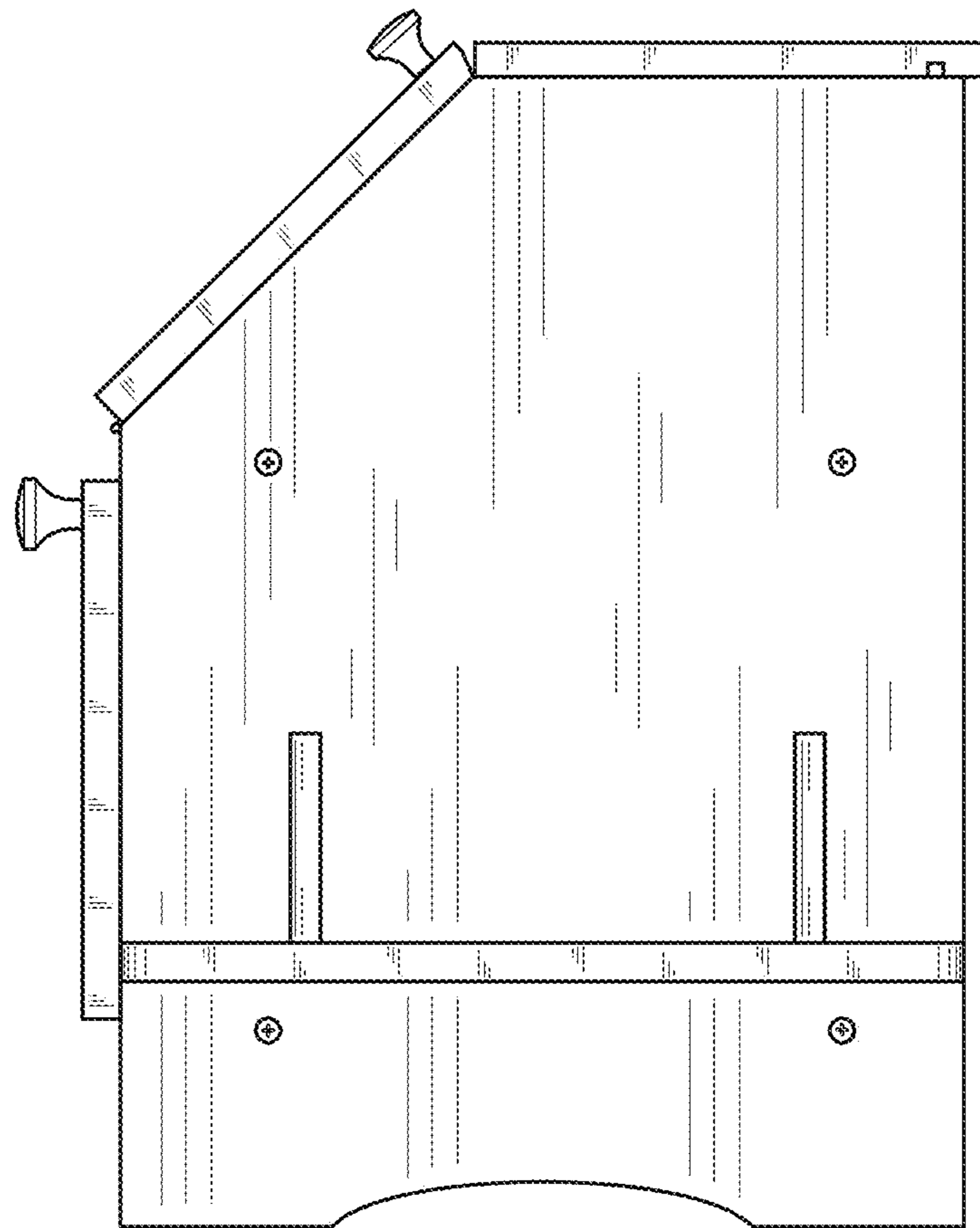


FIG. 4

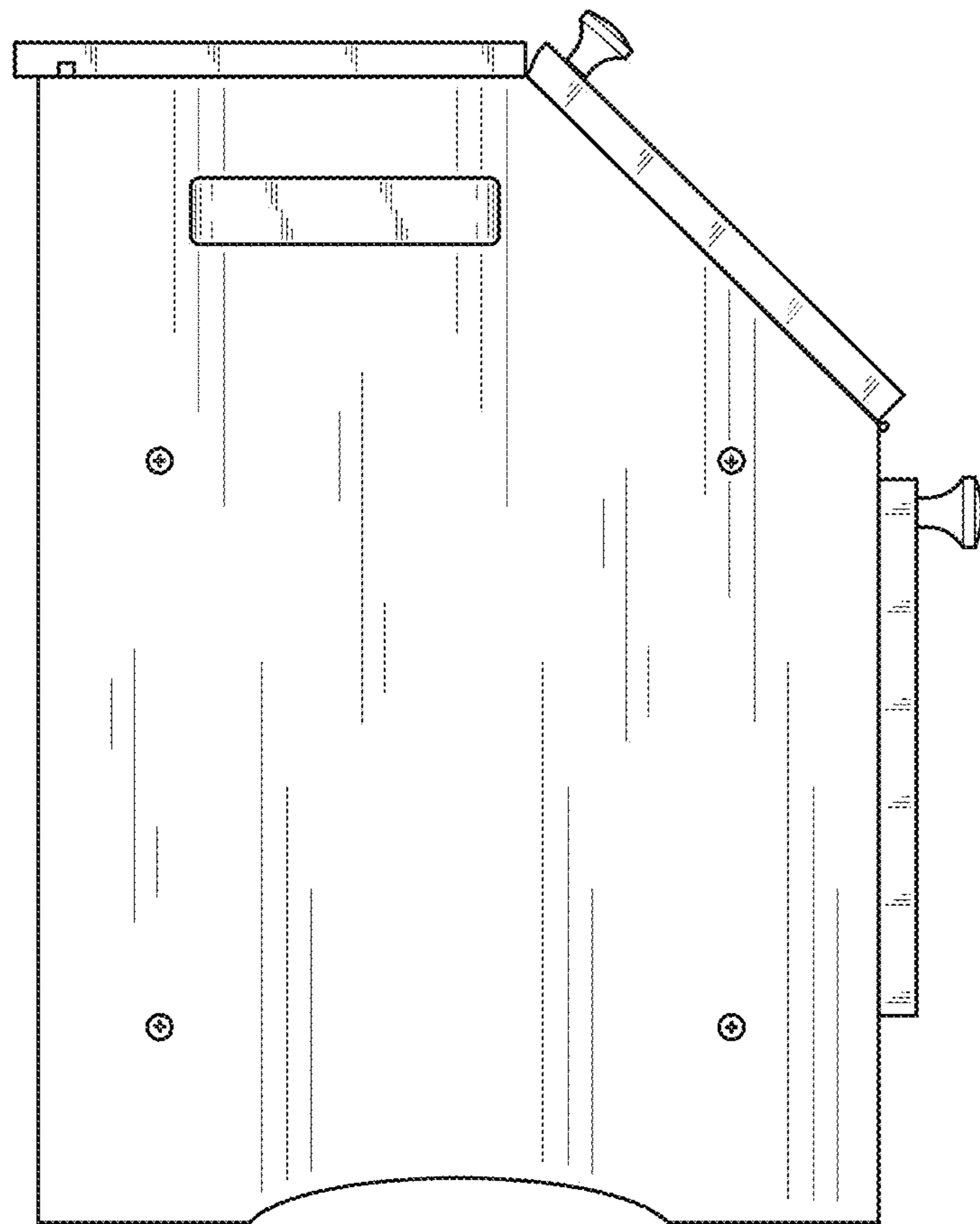


FIG. 5

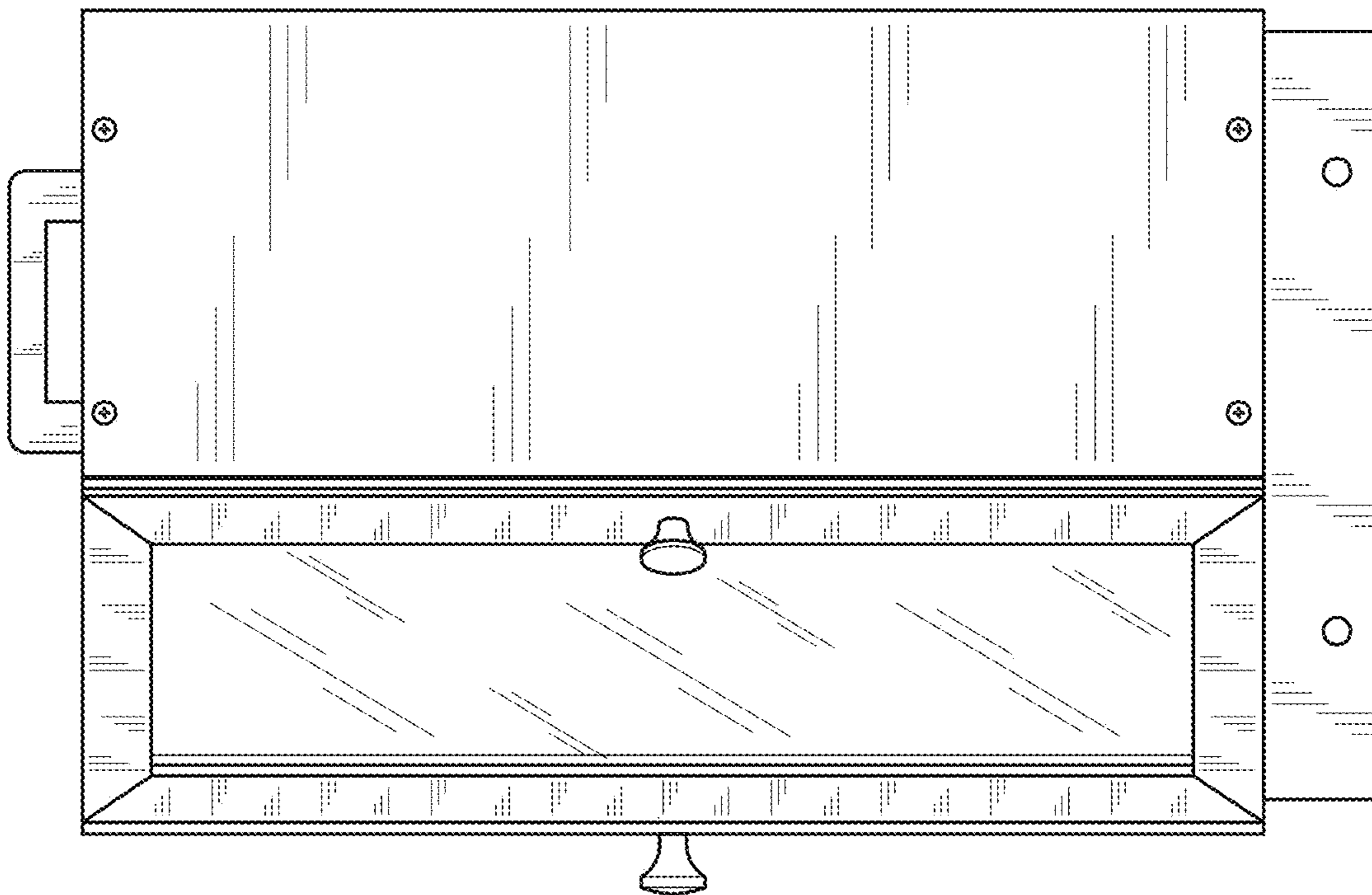


FIG. 6



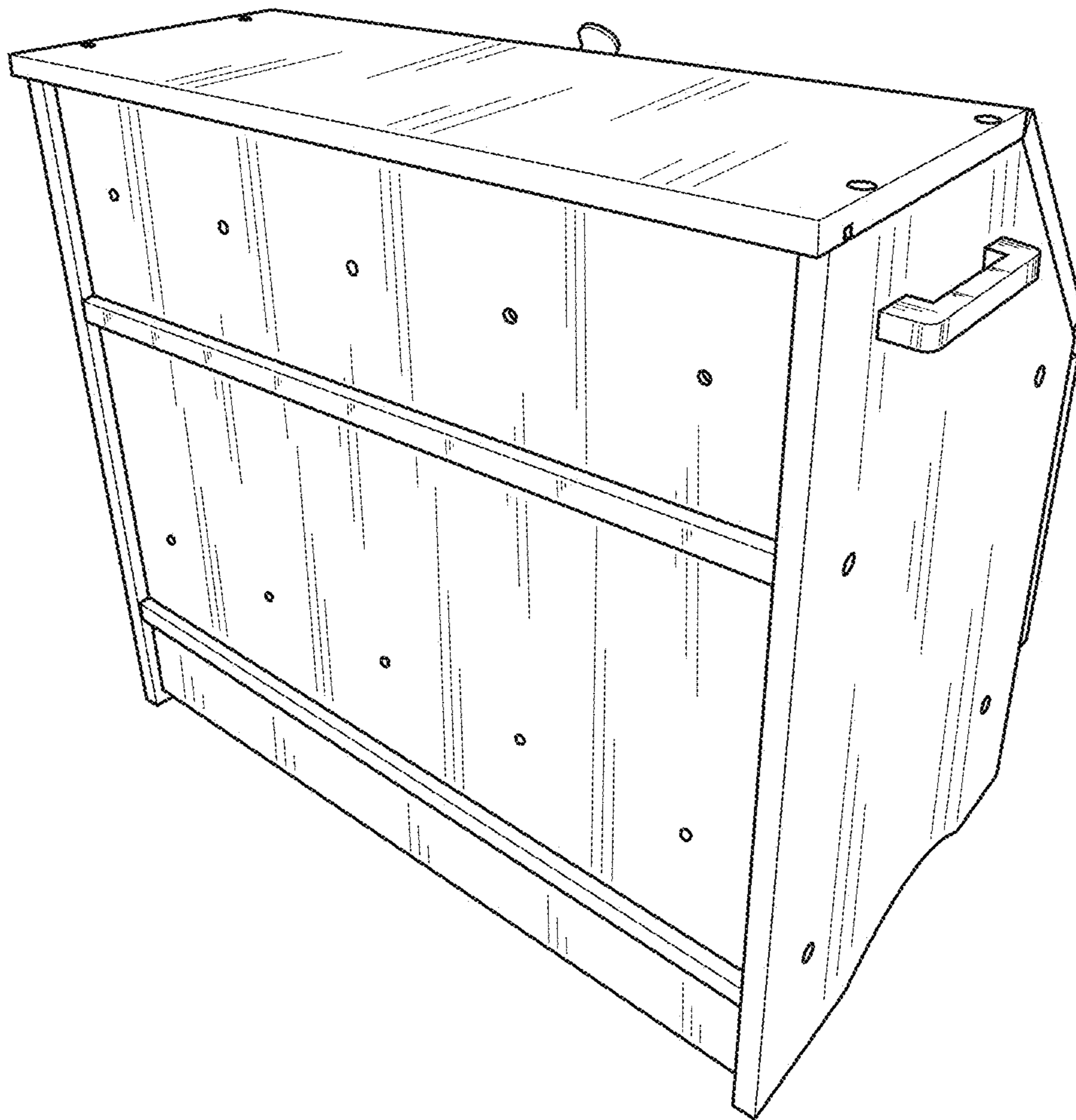


FIG. 7

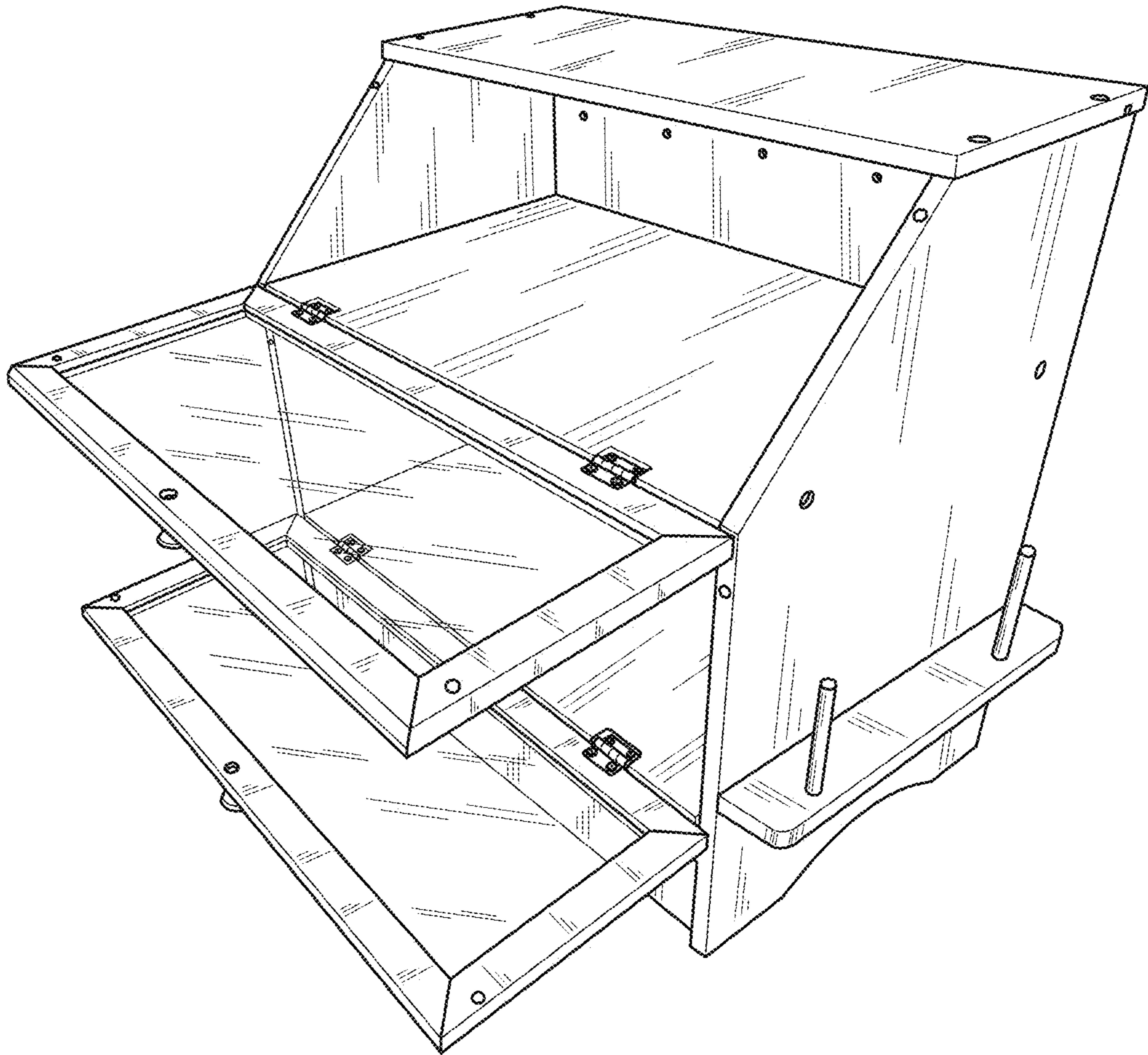


FIG. 8

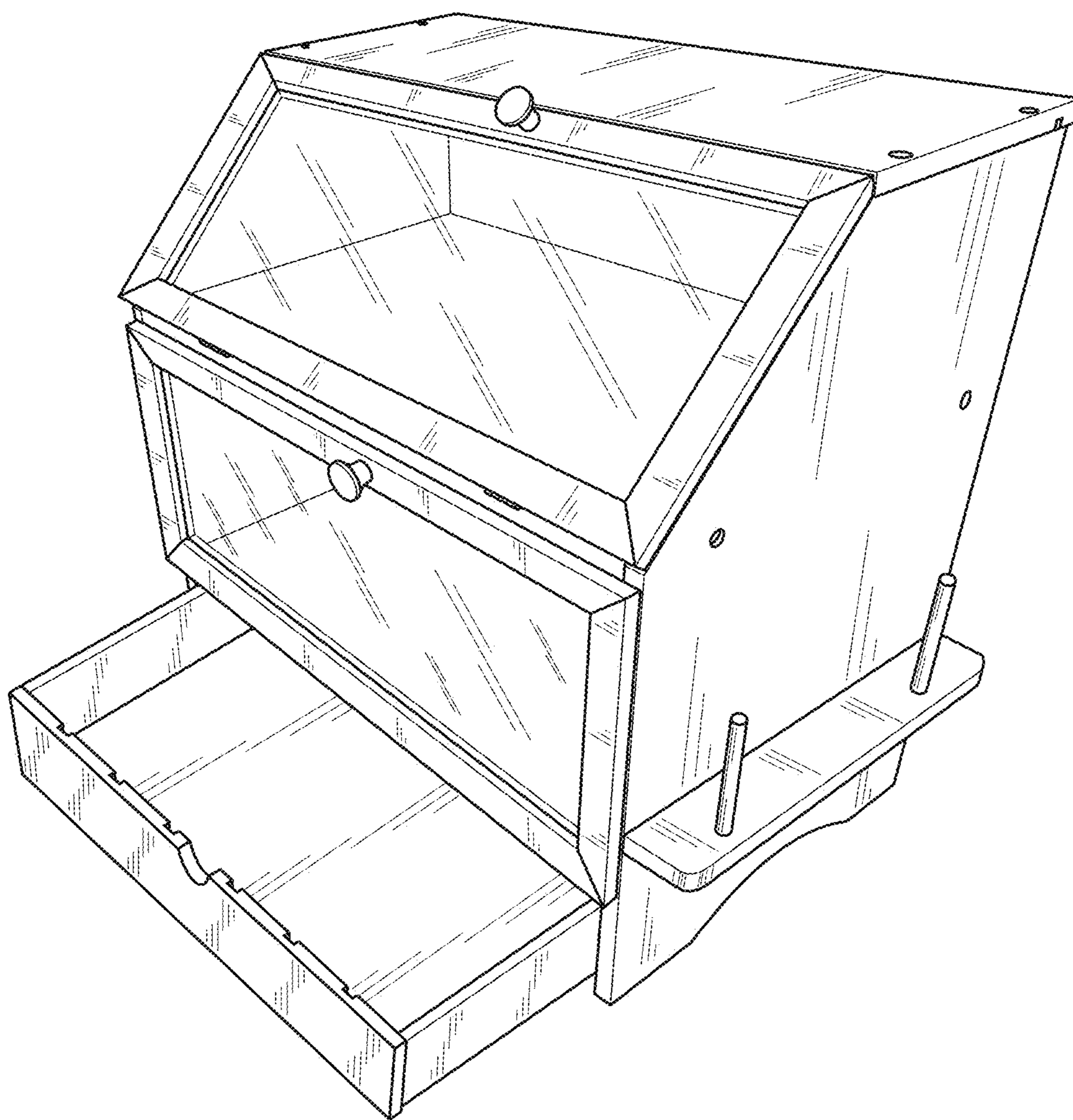


FIG. 9



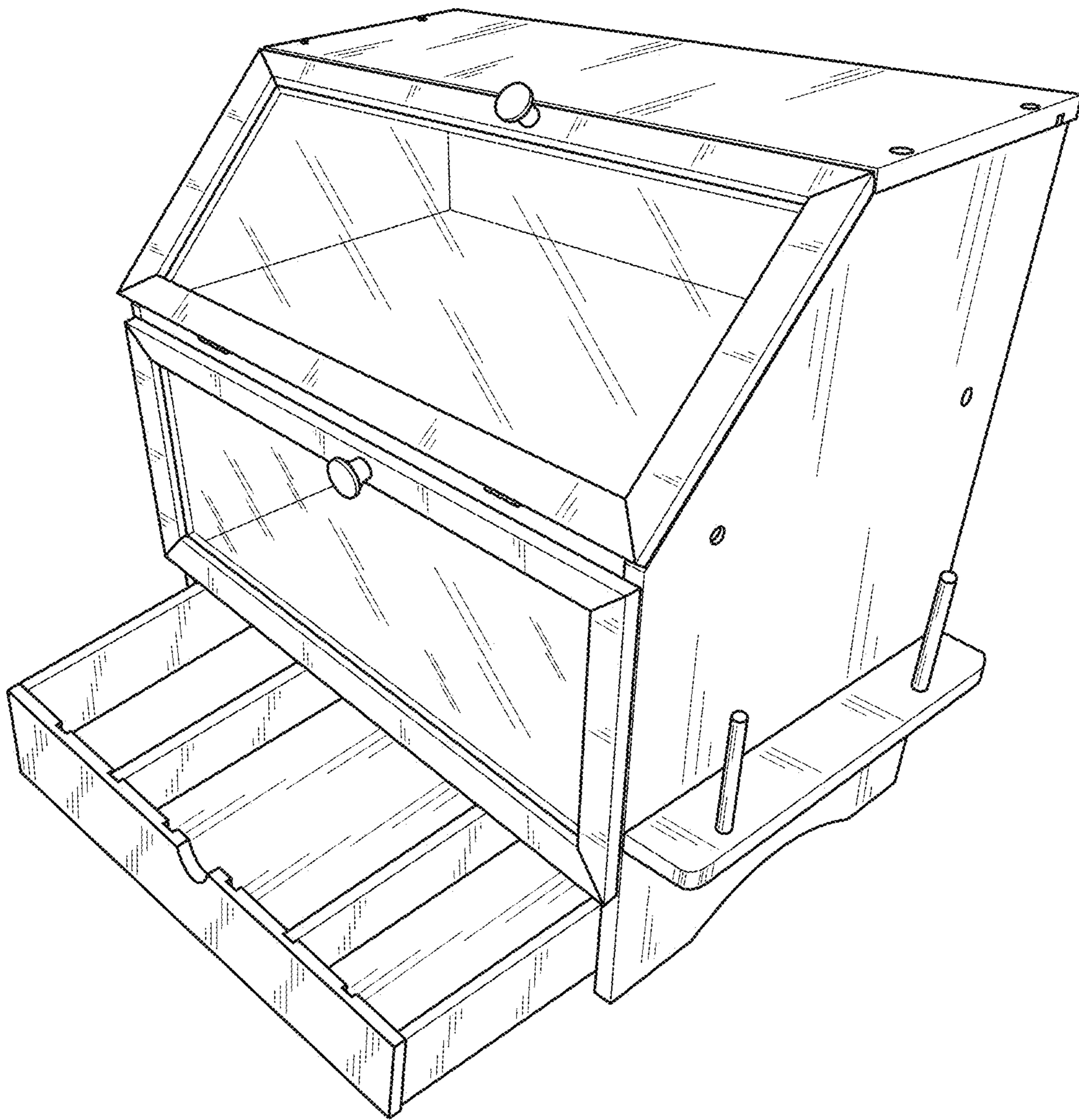


FIG. 10

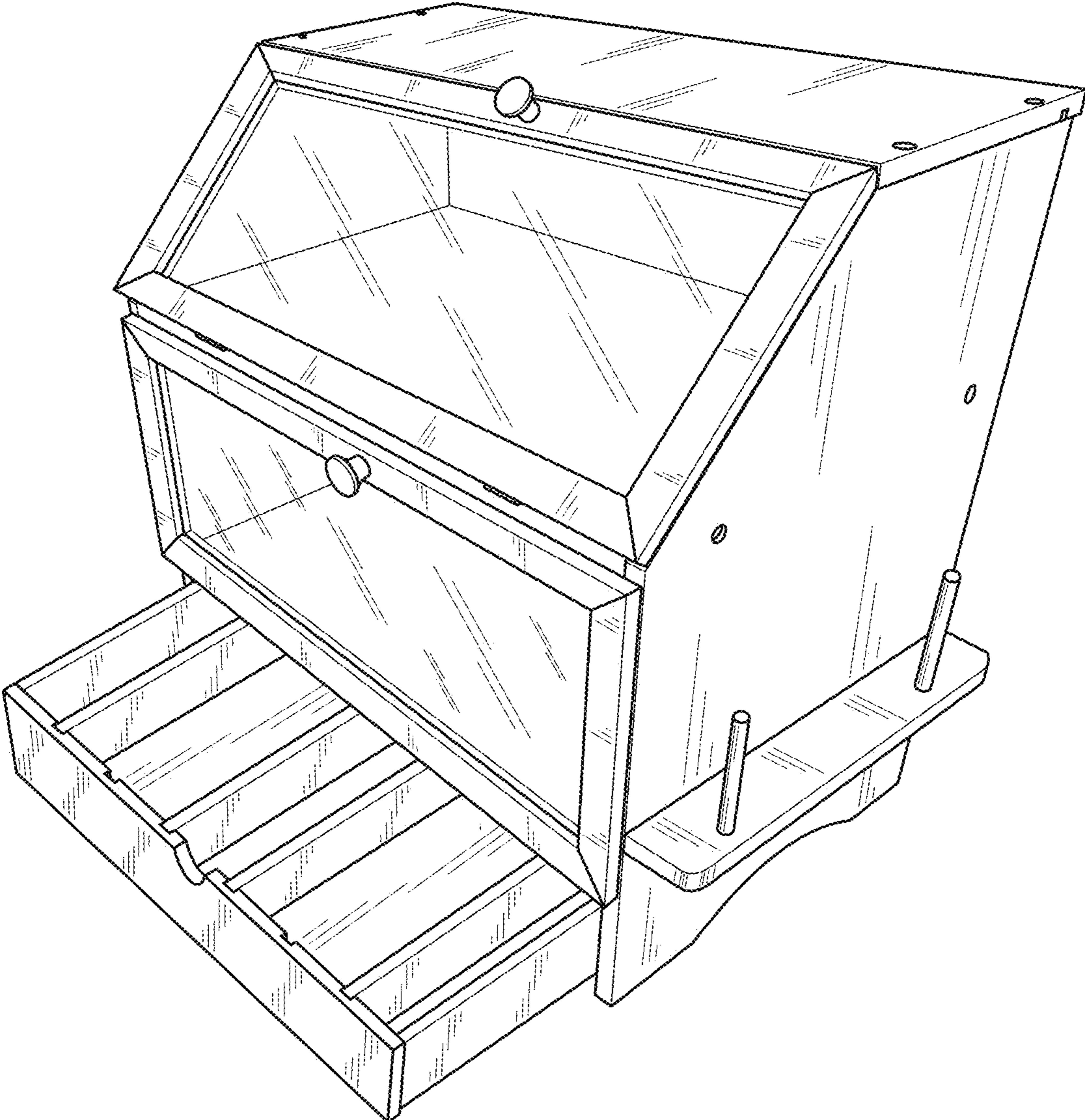


FIG. 11