



US00D918666S

(12) **United States Design Patent** (10) **Patent No.:** **US D918,666 S**
Munie et al. (45) **Date of Patent:** **** May 11, 2021**

(54) **BACKPACK COOLER**

FOREIGN PATENT DOCUMENTS

(71) Applicant: **YETI Coolers, LLC**, Austin, TX (US)

AU 201614228 S 8/2016
AU 201614229 S 8/2016

(72) Inventors: **Jeffrey Charles Munie**, Austin, TX (US); **Kyle Edward Rogers**, Austin, TX (US); **Donald Edward Desroches**, Austin, TX (US); **John Loudenslager**, Austin, TX (US); **Derek G. Sullivan**, Austin, TX (US); **Alex Baires**, Austin, TX (US)

(Continued)

OTHER PUBLICATIONS

(73) Assignee: **YETI Coolers, LLC**, Austin, TX (US)

United States District Court Western District of Texas, Austin Division, "Complaint for Damages and Injunctive Relief," *Yeti Coolers, LLC v. Olympia Tools International, Inc. d/b/a Coho Outdoors*, Case 1:19-cv-00912, Document 1, Filed Sep. 16, 2019, 235 pages.

(**) Term: **15 Years**

(Continued)

(21) Appl. No.: **29/765,076**

Primary Examiner — Terry A Wallace

(22) Filed: **Jan. 5, 2021**

(74) *Attorney, Agent, or Firm* — Banner & Witcoff, Ltd.

Related U.S. Application Data

(63) Continuation of application No. 29/759,278, filed on Nov. 20, 2020, which is a continuation of application (Continued)

(57) **CLAIM**

(51) **LOC (13) Cl.** **07-01**

The ornamental design for a backpack cooler, as shown and described.

(52) **U.S. Cl.**

USPC **D7/607**

(58) **Field of Classification Search**

DESCRIPTION

USPC D3/215–217, 315, 318, 233, 267, 283, D3/289, 276, 268; D7/605–607, 709, 710
CPC F25D 3/08; F25D 3/02; F25D 3/04; F25D 3/06; F25D 3/14; F25D 3/107; F25D 2331/804; F25D 2331/801; B65D 81/38; B65D 81/3813; B65D 81/3816; B65D 81/3818; B65D 81/382; B65D 81/3825; B65D 81/3827; B65D 81/383; B65D (Continued)

FIG. 1 is a top, front, right perspective view of a backpack cooler showing our new design;
FIG. 2 is a front view thereof;
FIG. 3 is a rear view thereof;
FIG. 4 is a left side view thereof;
FIG. 5 is a right side view thereof;
FIG. 6 is a top view thereof;
FIG. 7 is a bottom view thereof; and,
FIG. 8 is a top, rear, left perspective view thereof.
The broken lines immediately adjacent to the shaded area represent unclaimed boundaries of the design. The broken lines showing the remainder of the backpack cooler represent unclaimed subject matter.

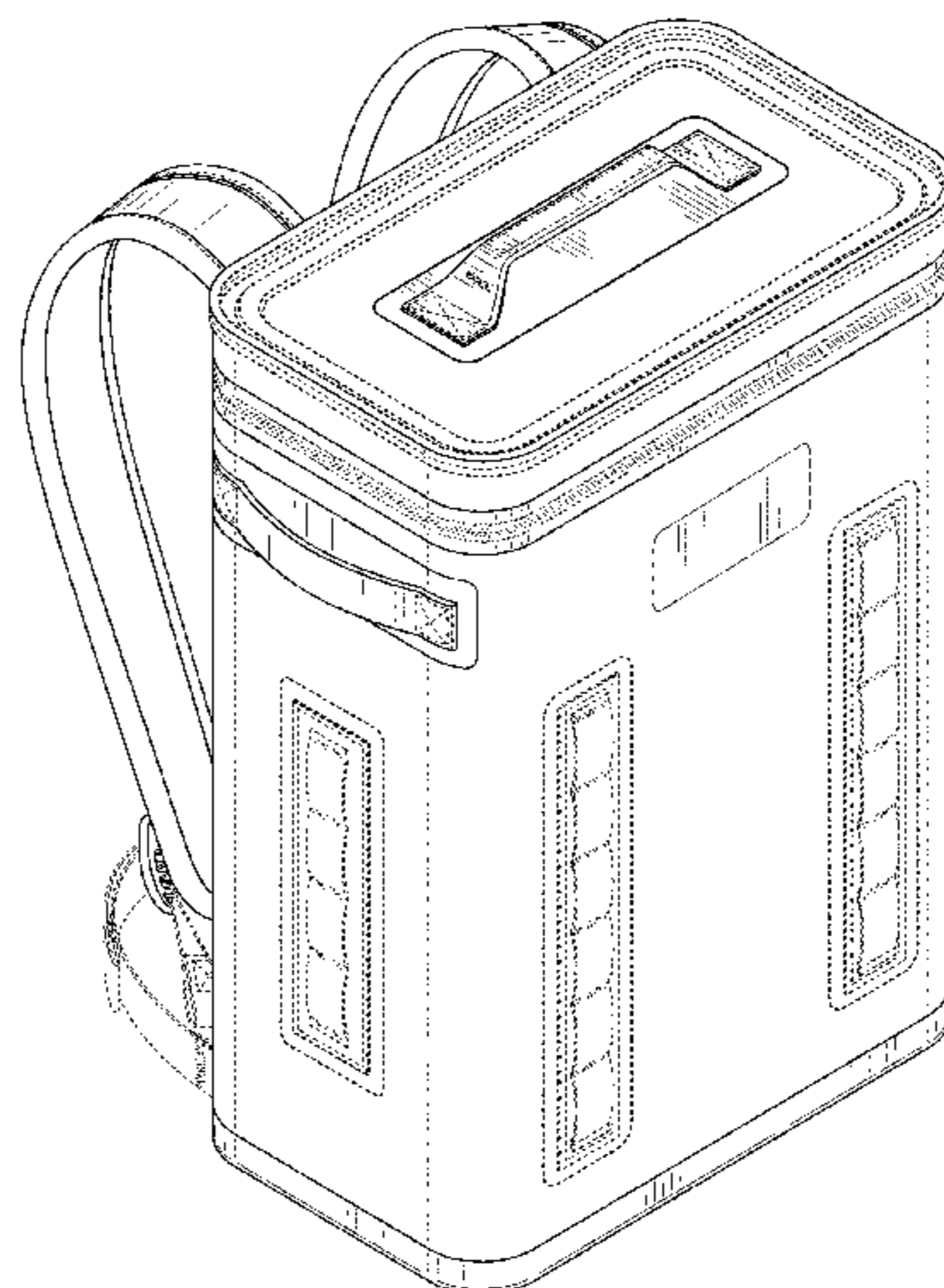
(56) **References Cited**

U.S. PATENT DOCUMENTS

210,994 A 12/1878 Carnagy
1,512,549 A 10/1924 Labadie et al.

(Continued)

1 Claim, 8 Drawing Sheets



Related U.S. Application Data

No. 29/686,649, filed on Apr. 5, 2019, now Pat. No. Des. 902,664, which is a continuation of application No. 29/624,134, filed on Oct. 30, 2017, now Pat. No. Des. 848,219.

(58) **Field of Classification Search**

CPC 81/3848; B65D 81/3851; B65D 81/3853; B65D 81/3855; B65D 81/3858; B65D 81/386; B65D 81/3862; A45C 11/20; A45C 3/00; A45C 2003/008

See application file for complete search history.

(56) **References Cited**

U.S. PATENT DOCUMENTS

1,587,655 A	6/1926	Kidwell	4,596,370 A	6/1986	Adkins
1,949,677 A	3/1934	Crawford	D284,620 S	7/1986	Calton
2,119,621 A	6/1938	Ferrone	4,598,746 A	7/1986	Rabinowitz
2,253,598 A	8/1941	Africa	4,637,063 A	1/1987	Sullivan et al.
2,289,254 A	7/1942	Eagles	D289,128 S	4/1987	Bradshaw
2,429,538 A	10/1947	Wood	4,673,117 A	6/1987	Calton
2,522,381 A	9/1950	Kramer	4,679,242 A	7/1987	Brockhaus
2,570,300 A	10/1951	Acton	4,708,254 A	11/1987	Byrns
2,575,191 A	11/1951	Seipp	4,746,028 A	5/1988	Bagg
2,575,893 A	11/1951	Seaman	4,759,077 A	7/1988	Leslie
2,633,223 A	3/1953	Zeamer	4,765,476 A	8/1988	Lee
2,651,485 A	9/1953	Schutz	4,796,785 A	1/1989	Merritt
2,661,785 A	12/1953	Daust	4,796,937 A	1/1989	Andrea
2,685,385 A	8/1954	Kuss	4,802,344 A	2/1989	Livingston et al.
2,808,093 A	10/1957	Gilman	4,802,602 A	2/1989	Evans et al.
2,883,041 A	4/1959	Pfeifer et al.	4,805,776 A	2/1989	Namgyal et al.
2,954,891 A	10/1960	Imber	4,812,054 A	3/1989	Kirkendall
2,960,136 A	11/1960	Ziff	4,817,769 A	4/1989	Saliba
3,031,121 A	4/1962	Chase	4,825,514 A	5/1989	Akeno
3,035,733 A	5/1962	Knapp	4,826,060 A	5/1989	Hollingsworth
3,066,846 A	12/1962	Domigan	4,829,603 A	5/1989	Schnoor et al.
3,157,303 A	11/1964	Siegel	4,841,603 A	6/1989	Ragni
3,203,517 A	8/1965	Stein	4,858,444 A	8/1989	Scott
3,454,197 A	7/1969	Thompson	4,867,214 A	9/1989	Fuller
3,455,359 A	7/1969	Schweizer	4,871,069 A	10/1989	Guimont
3,743,522 A	7/1973	Nagasawa et al.	4,886,183 A	12/1989	Fleming
3,801,425 A	4/1974	Cook	4,941,603 A	7/1990	Creamer et al.
3,814,288 A	6/1974	Westrich	4,984,906 A	1/1991	Little
3,834,044 A	9/1974	McAusland et al.	4,986,089 A	1/1991	Raab
3,905,511 A	9/1975	Groendal	4,989,418 A	2/1991	Hewlett
4,024,731 A	5/1977	Branscum	5,004,091 A	4/1991	Natho et al.
4,125,212 A	11/1978	Courchesne	5,005,679 A	4/1991	Hjelle
4,127,155 A	11/1978	Hydom	5,042,664 A	8/1991	Shyr et al.
4,143,695 A	3/1979	Hoehn	5,048,734 A	9/1991	Long
4,194,627 A	3/1980	Christensen	5,062,557 A	11/1991	Mahvi et al.
4,196,817 A	4/1980	Moser	5,190,376 A	3/1993	Book
4,197,890 A	4/1980	Simko	5,216,900 A	6/1993	Jones
4,210,186 A	7/1980	Belenson	5,221,016 A	6/1993	Karpal
4,211,091 A	7/1980	Campbell	5,237,838 A	8/1993	Merritt-Munson
4,211,267 A	7/1980	Skovgaard	5,244,136 A	9/1993	Collaso
4,248,366 A	2/1981	Christiansen	D339,979 S	10/1993	Wehrley
D265,948 S	8/1982	Stark	D340,387 S	10/1993	Melk
4,344,303 A	8/1982	Kelly, Jr.	D340,621 S	10/1993	Melk
4,372,453 A	2/1983	Branscum	5,253,395 A	10/1993	Yano
4,375,828 A	3/1983	Biddison	D340,840 S	11/1993	Melk
D268,879 S	5/1983	Outcalt	5,269,368 A	12/1993	Schneider et al.
4,399,668 A	8/1983	Williamson	D343,992 S	2/1994	Melk
4,468,933 A	9/1984	Christopher	5,297,870 A	3/1994	Weldon
4,513,895 A	4/1985	Leslie	5,313,807 A	5/1994	Owen
4,515,421 A	5/1985	Steffes	D347,971 S	6/1994	Krugman
4,521,910 A	6/1985	Keppel et al.	5,325,991 A	7/1994	Williams
4,524,493 A	6/1985	Inamura	D349,428 S	8/1994	Krugman
4,537,313 A	8/1985	Workman	5,354,131 A	10/1994	Mogil
4,541,540 A	9/1985	Gretz et al.	5,355,684 A	10/1994	Guice
D281,122 S	10/1985	Bomes et al.	5,398,848 A	3/1995	Padamsee
D281,546 S	12/1985	Bradshaw	5,400,610 A	3/1995	Macedo
D281,646 S	12/1985	Bomes et al.	5,403,095 A	4/1995	Melk
D282,602 S	2/1986	Allen	5,421,172 A	6/1995	Jones
4,571,338 A	2/1986	Okonogi et al.	5,447,764 A	9/1995	Langford
4,595,101 A	6/1986	Rivera	5,472,279 A	12/1995	Lin
			5,490,396 A	2/1996	Morris
			5,509,279 A	4/1996	Brown
			5,509,734 A	4/1996	Ausnit
			D370,599 S	6/1996	Christopher et al.
			D371,051 S	6/1996	Melk
			D371,052 S	6/1996	Melk
			5,529,217 A	6/1996	Siegel
			D373,515 S	9/1996	Melk
			5,553,759 A	9/1996	McMaster et al.
			5,562,228 A	10/1996	Ericson
			5,564,568 A	10/1996	Rankin, Sr.
			5,569,401 A	10/1996	Gilliland et al.
			5,595,320 A	1/1997	Aghassipour
			D382,771 S	8/1997	Mogil
			D382,772 S	8/1997	Mogil
			D383,360 S	9/1997	Melk
			5,680,944 A	10/1997	Rueter
			5,680,958 A	10/1997	Mann et al.
			D386,310 S	11/1997	Smith

(56)

References Cited

U.S. PATENT DOCUMENTS

5,687,874 A	11/1997	Omori et al.		6,422,032 B1	7/2002	Greene
D387,249 S	12/1997	Mogil		6,439,389 B1	8/2002	Mogil
5,706,969 A	1/1998	Yamada et al.		D464,235 S	10/2002	Jeong
5,732,867 A	3/1998	Perkins et al.		D465,134 S	11/2002	Joss
D394,553 S	5/1998	Lin		6,481,239 B2	11/2002	Hodosh et al.
D395,555 S	6/1998	Ursitti		D466,291 S	12/2002	Ng
5,758,513 A	6/1998	Smith		6,495,194 B2	12/2002	Sato et al.
5,779,089 A	7/1998	West		6,505,479 B2	1/2003	Defelice et al.
D397,273 S	8/1998	Collie		6,511,695 B1	1/2003	Paquin et al.
5,816,709 A	10/1998	Demus		6,513,661 B1	2/2003	Mogil
D401,063 S	11/1998	Yamamoto et al.		D472,431 S	4/2003	Spence, Jr.
5,842,571 A	12/1998	Rausch		6,554,155 B1	4/2003	Beggins
5,845,514 A	12/1998	Clarke et al.		D474,649 S	5/2003	Spence, Jr.
5,848,734 A	12/1998	Melk		6,582,124 B2	6/2003	Mogil
5,857,778 A	1/1999	Elis		D476,481 S	7/2003	Gilbert
D409,376 S	5/1999	Golenz et al.		6,595,687 B2	7/2003	Godshaw et al.
5,904,230 A	5/1999	Peterson		D478,782 S	8/2003	Li
5,909,821 A	6/1999	Guridi		6,604,649 B1	8/2003	Campi
5,913,448 A	6/1999	Mann et al.		6,605,311 B2	8/2003	Villagran et al.
5,915,580 A	6/1999	Melk		6,619,447 B1	9/2003	Garcia, III et al.
5,931,583 A	8/1999	Collie		6,626,342 B1	9/2003	Gleason
D414,379 S	9/1999	Haberkom		6,629,430 B2	10/2003	Mills et al.
5,954,253 A	9/1999	Swetish		D482,241 S	11/2003	Tyler
5,988,468 A	11/1999	Murdoch et al.		6,652,933 B2	11/2003	Hall
5,988,879 A	11/1999	Bredderman et al.		6,655,543 B2	12/2003	Beuke
6,019,245 A	2/2000	Foster et al.		D485,131 S	1/2004	Lanman et al.
6,027,249 A	2/2000	Bielinski		D485,732 S	1/2004	Lanman et al.
6,029,847 A	2/2000	Mahoney, Jr. et al.		D486,038 S	2/2004	Lanman et al.
6,048,099 A	4/2000	Muffett et al.		6,688,470 B2	2/2004	Dege et al.
D424,417 S	5/2000	Axelsson		6,729,758 B1	5/2004	Carter
6,059,140 A	5/2000	Hicks		D492,160 S	6/2004	Lanman et al.
6,065,873 A	5/2000	Fowler		D497,518 S	10/2004	Bellofatto, Jr. et al.
6,068,402 A *	5/2000	Freese	A45C 11/20 383/108	6,799,693 B2	10/2004	Meza
6,070,718 A	6/2000	Drabwell		D498,924 S	11/2004	Karl
6,073,796 A	6/2000	Mogil		D501,600 S	2/2005	Guyon
6,082,589 A	7/2000	Ash et al.		D502,599 S	3/2005	Cabana et al.
6,082,896 A	7/2000	Pulli		D503,279 S	3/2005	Smith
6,089,038 A	7/2000	Tattam		6,874,356 B2	4/2005	Kornfeldt et al.
6,092,266 A	7/2000	Lee		D506,645 S	6/2005	Bellofatto, Jr. et al.
6,092,661 A *	7/2000	Mogil	A63B 55/408 150/106	6,925,834 B2	8/2005	Fuchs
6,105,214 A	8/2000	Press		D512,274 S	12/2005	Cabey
6,113,268 A	9/2000	Thompson		D515,362 S	2/2006	Chan
6,116,045 A	9/2000	Hodosh et al.		D516,099 S	2/2006	Maruyama
6,128,915 A	10/2000	Wagner		D516,870 S	3/2006	Martinez et al.
6,129,254 A	10/2000	Yu		D517,801 S	3/2006	Woo
6,139,188 A	10/2000	Marzano		D520,306 S	5/2006	Peterson
6,145,715 A	11/2000	Slonim		D522,811 S	6/2006	Martinez et al.
6,149,305 A	11/2000	Fier		D523,243 S	6/2006	Nashmy
D437,110 S	2/2001	Ivarson et al.		D527,226 S	8/2006	Maldonado
6,193,034 B1	2/2001	Fournier		D530,089 S	10/2006	Silverman
6,209,343 B1	4/2001	Owen		7,153,025 B1	12/2006	Jackson et al.
6,220,473 B1	4/2001	Lehman et al.		D534,352 S	1/2007	Delafontaine
6,234,677 B1	5/2001	Mogil		D534,771 S	1/2007	Zorn
6,237,776 B1	5/2001	Mogil		D535,099 S	1/2007	Johansson et al.
6,244,458 B1	6/2001	Frysinger et al.		D535,820 S	1/2007	Kamiya
6,247,328 B1	6/2001	Mogil		7,160,028 B1	1/2007	Linday
6,253,570 B1	7/2001	Lustig		7,162,890 B2	1/2007	Mogil et al.
6,276,579 B1	8/2001	DeLoach		D539,033 S	3/2007	Cassegrain
D447,632 S	9/2001	Gisser		D540,037 S	4/2007	Newson
D447,667 S	9/2001	Schneider et al.		7,201,285 B2	4/2007	Beggins
6,286,709 B1	9/2001	Hudson		7,207,716 B2	4/2007	Buchanan et al.
6,296,134 B1	10/2001	Cardinale		7,219,814 B2	5/2007	Lown et al.
6,296,165 B1 *	10/2001	Mears	A45C 3/00 150/107	7,240,513 B1	7/2007	Conforti
6,298,993 B1	10/2001	Kalozdi		D547,941 S	8/2007	Lucena
6,336,342 B1	1/2002	Zeddies		D548,459 S	8/2007	Harvey
6,336,577 B1	1/2002	Harris et al.		D550,448 S	9/2007	Boje et al.
6,347,706 B1	2/2002	D'Ambrosio		7,264,134 B2	9/2007	Tulp
6,353,215 B1	3/2002	Revels et al.		D557,667 S	12/2007	Kawamura et al.
D455,934 S	4/2002	Culp et al.		7,302,810 B2	12/2007	McCroy
6,363,739 B1	4/2002	Hodosh et al.		D560,102 S	1/2008	Sumter
D457,307 S	5/2002	Pukall et al.		7,313,927 B2	1/2008	Barker
6,409,066 B1	6/2002	Schneider et al.		7,344,028 B2	3/2008	Hanson
				D566,484 S	4/2008	George
				7,353,952 B2	4/2008	Swartz et al.
				D570,603 S	6/2008	Wu et al.
				D573,422 S	7/2008	Tagliati et al.
				D574,667 S	8/2008	Grabijas, III et al.
				D578,401 S	10/2008	Perry et al.
				D582,151 S	12/2008	Gonzalez

(56)

References Cited

U.S. PATENT DOCUMENTS

D583,152 S	12/2008	Keeney	D703,946 S	5/2014	Tweedie
7,481,065 B2	1/2009	Krieger	8,720,739 B2	5/2014	Bollis
7,527,430 B2	5/2009	Suskind	8,777,045 B2	7/2014	Mitchell et al.
D598,194 S	8/2009	Turvey et al.	D710,085 S	8/2014	Szewczyk
7,597,478 B2	10/2009	Pruchnicki et al.	D711,096 S	8/2014	Hanna
D603,606 S	11/2009	Wang	D712,555 S	9/2014	Berg
7,634,919 B2	12/2009	Bernhard, Jr. et al.	8,827,109 B1	9/2014	Sheehan
D607,697 S	1/2010	Whitlock et al.	8,844,756 B2	9/2014	Beyburg
D608,096 S	1/2010	Noble	D715,544 S	10/2014	Levine
D608,159 S	1/2010	Whitlock et al.	8,857,654 B2	10/2014	Mogil et al.
D610,795 S	3/2010	Dejadon	D717,041 S	11/2014	Pulliam
D611,706 S	3/2010	Angles et al.	D718,053 S	11/2014	McFreen
7,669,436 B2	3/2010	Mogil et al.	8,875,964 B1	11/2014	Vanderberg
7,677,406 B2	3/2010	Maxson	8,893,940 B2	11/2014	Green et al.
7,682,080 B2	3/2010	Mogil	D718,931 S	12/2014	Brundl
D617,560 S	6/2010	Wu	D719,303 S	12/2014	Anderson
7,730,739 B2	6/2010	Fuchs	8,899,071 B2	12/2014	Mogil et al.
D618,966 S	7/2010	Koehler et al.	D725,908 S	4/2015	Zwetzig
D619,423 S	7/2010	Koehler et al.	D728,942 S	5/2015	Byham
D619,854 S	7/2010	Koehler et al.	D732,295 S	6/2015	Aafjes
D619,855 S	7/2010	Koehler et al.	D732,348 S	6/2015	Seiders et al.
7,757,878 B2	7/2010	Mogil et al.	D732,349 S	6/2015	Seiders et al.
D620,707 S	8/2010	Mogil	D732,350 S	6/2015	Seiders et al.
D620,708 S	8/2010	Sanz	D732,899 S	6/2015	Seiders et al.
7,775,388 B2	8/2010	Murrer, III	D734,643 S	7/2015	Boroski
7,784,759 B2	8/2010	Farrell	D734,992 S	7/2015	Boroski
7,791,003 B2	9/2010	Lockhart et al.	9,084,463 B2	7/2015	Merrill
7,811,620 B2	10/2010	Merrill et al.	D738,108 S	9/2015	Adler et al.
7,815,069 B1	10/2010	Bellofatto et al.	D739,654 S	9/2015	Brouard
D626,329 S	11/2010	Chapelier	9,138,033 B2	9/2015	Kojima et al.
D627,199 S	11/2010	Pruchnicki	9,139,352 B2	9/2015	Seiders et al.
7,841,207 B2	11/2010	Mogil et al.	9,146,051 B2	9/2015	Kamin et al.
D629,612 S	12/2010	Weldon	D744,786 S	12/2015	Bagwell
7,874,177 B2	1/2011	Azamy	D747,104 S	1/2016	Ford
7,886,936 B2	2/2011	Helline	9,226,558 B2	1/2016	Armstrong
7,900,816 B2	3/2011	Kastanek et al.	D749,653 S	2/2016	Carnes
D638,220 S	5/2011	Chu et al.	D750,140 S	2/2016	Cross
D642,870 S	8/2011	Whitlock et al.	9,254,022 B2	2/2016	Meldeau et al.
7,988,006 B2	8/2011	Mogil et al.	9,254,023 B2	2/2016	Su et al.
D645,662 S	9/2011	Perez	9,265,318 B1	2/2016	Williams et al.
8,016,090 B2	9/2011	McCoy et al.	D752,347 S	3/2016	Seiders et al.
8,043,004 B2	10/2011	Mogil	9,271,553 B2	3/2016	Ponx
D648,532 S	11/2011	Sosnovsky	9,272,475 B2	3/2016	Ranade et al.
8,061,159 B2	11/2011	Mogil et al.	9,290,313 B2	3/2016	De Lesseux et al.
D650,169 S	12/2011	Klifa	D752,860 S	4/2016	Barilaro et al.
8,079,451 B2	12/2011	Rothschild et al.	9,314,069 B2	4/2016	Takazawa
8,096,442 B2	1/2012	Ramundi	D756,109 S	5/2016	Hayashi
D662,316 S	6/2012	Nitkin	D756,638 S	5/2016	Frisoni
8,191,747 B2	6/2012	Pruchnicki	9,366,467 B2	6/2016	Kiedaisch et al.
D664,261 S	7/2012	Kravitz et al.	9,375,061 B2	6/2016	Mosee
8,209,995 B2	7/2012	Kieling et al.	D760,494 S	7/2016	Harvey-Pankey
D666,896 S	9/2012	Pinholster, Jr. et al.	D761,561 S	7/2016	Cheng
D667,043 S	9/2012	Couch, III	D762,384 S	8/2016	Boroski
8,281,950 B2	10/2012	Potts et al.	D763,570 S	8/2016	Potts
8,292,119 B2	10/2012	Kenneally	D764,791 S	8/2016	Patel
8,302,749 B2	11/2012	Melmon et al.	D764,873 S *	8/2016	Collie D7/607
8,327,659 B2	12/2012	Winkler et al.	9,408,445 B2	8/2016	Mogil et al.
D673,363 S	1/2013	Crandall	D765,395 S	9/2016	Sanz
D674,246 S	1/2013	Scott et al.	D765,967 S	9/2016	Boroski
D674,664 S *	1/2013	Collie D7/607	D766,571 S	9/2016	Boroski
8,424,319 B2	4/2013	Whewell, Jr.	D768,981 S	10/2016	Kliot
8,424,713 B2	4/2013	Bolland	D768,987 S	10/2016	Blumenfeld
8,430,284 B2	4/2013	Broadbent et al.	D770,761 S	11/2016	Deioma et al.
D682,635 S	5/2013	Boroski	D770,763 S	11/2016	Joo et al.
8,453,899 B1	6/2013	Calkin	D771,372 S	11/2016	Kelly et al.
D686,412 S	7/2013	Guichot	D772,562 S	11/2016	Petre
8,474,640 B2	7/2013	Armstrong	9,545,134 B1	1/2017	Tan
8,516,848 B2	8/2013	White et al.	D778,045 S	2/2017	Ruddis
8,544,678 B1	10/2013	Hughes	D782,820 S	4/2017	Thompson
8,573,002 B2	11/2013	Ledoux et al.	D784,010 S	4/2017	Dumas
D695,568 S	12/2013	Hayes	9,630,750 B2	4/2017	Gardner et al.
8,622,235 B2	1/2014	Suchecki	D785,325 S	5/2017	Samrelius et al.
D699,940 S	2/2014	Robert	D786,559 S	5/2017	Seiders et al.
D699,941 S	2/2014	Robert	D786,560 S	5/2017	Seiders et al.
8,646,970 B2	2/2014	Mogil	D786,561 S	5/2017	Seiders et al.
			D786,562 S	5/2017	Seiders et al.
			D787,187 S	5/2017	Seiders et al.
			D789,080 S	6/2017	Caffagni
			D792,167 S	7/2017	Bradley

(56)

References Cited

U.S. PATENT DOCUMENTS

D792,486 S	7/2017	Li et al.	D840,762 S	2/2019	Seiders et al.
D793,089 S	8/2017	Jackson	D840,763 S	2/2019	Seiders et al.
D796,185 S	9/2017	Masten	D840,764 S	2/2019	Seiders et al.
D797,454 S	9/2017	Seiders et al.	D841,325 S	2/2019	Buynar
D797,455 S	9/2017	Seiders et al.	D842,048 S	3/2019	Wells
D798,670 S	10/2017	Seiders et al.	D844,975 S	4/2019	Munie et al.
D799,276 S	10/2017	Seiders et al.	D844,976 S	4/2019	Munie et al.
D799,277 S	10/2017	Seiders et al.	D844,977 S	4/2019	Munie et al.
D799,823 S	10/2017	Schartle	D844,978 S	4/2019	Munie et al.
D799,905 S	10/2017	Seiders et al.	D844,979 S	4/2019	Munie et al.
D800,443 S	10/2017	Burton et al.	D844,992 S	4/2019	Seiders et al.
D800,444 S	10/2017	Burton et al.	D845,625 S	4/2019	Barlier
D801,123 S	10/2017	Seiders et al.	D846,275 S	4/2019	Barlier
9,796,517 B2	10/2017	Seiders et al.	D847,500 S	5/2019	Lagerfeld
D802,028 S	11/2017	Li	D848,219 S	5/2019	Munie et al.
D802,029 S	11/2017	Li	D848,220 S	5/2019	Munie et al.
D802,373 S	11/2017	Seiders et al.	D848,221 S	5/2019	Munie et al.
D802,630 S	11/2017	Li et al.	D848,222 S	5/2019	Munie et al.
9,809,376 B2	11/2017	Mitchell et al.	D848,223 S	5/2019	Munie et al.
D805,851 S	12/2017	Sullivan et al.	D848,798 S	5/2019	Munie et al.
9,840,178 B2	12/2017	Baker	D849,398 S	5/2019	Tan
D808,173 S	1/2018	Seiders et al.	D849,486 S	5/2019	Munie et al.
D808,175 S	1/2018	Seiders et al.	10,279,980 B2	5/2019	James, Jr.
D808,655 S	1/2018	Seiders et al.	10,322,867 B2	6/2019	Furieux et al.
D808,730 S	1/2018	Sullivan et al.	10,384,855 B2	8/2019	Seiders et al.
D809,869 S	2/2018	Seiders et al.	D859,934 S	9/2019	Seiders et al.
D811,082 S	2/2018	Lehan	D862,177 S	10/2019	Seiders et al.
9,901,153 B2	2/2018	Nash	D862,528 S	10/2019	Sullivan et al.
D811,746 S	3/2018	Seiders et al.	D867,823 S	11/2019	Jacobsen
D813,539 S	3/2018	Van Assche	D868,544 S	12/2019	Lin et al.
D814,879 S	4/2018	Larson et al.	D880,254 S	4/2020	Jacobsen
D815,496 S	4/2018	Larson et al.	D886,537 S	6/2020	Jacobsen
9,943,150 B2	4/2018	Morrow	D886,538 S	6/2020	Jacobsen
D817,106 S	5/2018	Larson et al.	D886,539 S	6/2020	Jacobsen
D817,107 S	5/2018	Larson et al.	D894,692 S	9/2020	Herold
D817,722 S	5/2018	Bradley	D896,039 S	9/2020	Seiders et al.
D819,966 S	6/2018	Yu	D896,591 S	9/2020	Seiders et al.
D819,967 S	6/2018	Carter et al.	D897,780 S	10/2020	Seiders et al.
D821,825 S	7/2018	Sullivan et al.	D899,197 S	10/2020	Seiders et al.
D822,987 S	7/2018	Seiders et al.	D899,865 S	10/2020	Shi
D822,997 S	7/2018	Seiders et al.	10,806,225 B2	10/2020	Sitnikova
D823,601 S	7/2018	Seiders et al.	D902,664 S	11/2020	Munie et al.
D823,602 S	7/2018	Seiders et al.	10,827,808 B2	11/2020	Seiders et al.
10,010,162 B1	7/2018	Woods et al.	D904,830 S	12/2020	Meda et al.
10,029,842 B2	7/2018	Seiders et al.	2002/0012480 A1	1/2002	Konno
D824,660 S	8/2018	Ross	2002/0197369 A1	12/2002	Modler
D824,666 S	8/2018	Carter et al.	2003/0070447 A1	4/2003	Tanaka
D824,671 S	8/2018	Pennington	2003/0080133 A1	5/2003	Butler
D824,731 S	8/2018	Sullivan et al.	2003/0106895 A1	6/2003	Kalal
D827,299 S	9/2018	Vickery	2003/0136702 A1	7/2003	Redzisz et al.
D828,112 S	9/2018	Furieux et al.	2003/0149461 A1	8/2003	Johnson
D828,728 S	9/2018	Jacobsen	2003/0175394 A1	9/2003	Modler
D829,244 S	9/2018	Sullivan et al.	2004/0004111 A1	1/2004	Cardinale
D830,048 S	10/2018	McQueeny	2004/0028296 A1	2/2004	Meli
D830,132 S	10/2018	Sullivan et al.	2004/0035143 A1	2/2004	Mogil
D830,133 S	10/2018	Sullivan et al.	2004/0074936 A1	4/2004	McDonald
D830,134 S	10/2018	Sullivan et al.	2004/0094589 A1	5/2004	Fricano
D832,653 S	11/2018	Waskow et al.	2004/0136621 A1	7/2004	Mogil
10,138,048 B2	11/2018	Mitchell et al.	2004/0144783 A1	7/2004	Anderson et al.
D834,817 S	12/2018	Hoppe et al.	2004/0149600 A1	8/2004	Wolter et al.
D834,895 S	12/2018	Triska et al.	2004/0164084 A1	8/2004	Cooper
D835,473 S	12/2018	Jacobsen	2004/0237266 A1	12/2004	Wang
D835,949 S	12/2018	Triska et al.	2005/0016895 A1	1/2005	Glenn
D835,950 S	12/2018	Jacobsen	2005/0034947 A1	2/2005	Nykoluk
10,143,282 B2	12/2018	Seiders et al.	2005/0045520 A1	3/2005	Johnson
D836,996 S	1/2019	Jacobsen	2005/0045521 A1	3/2005	Johnson et al.
D836,997 S	1/2019	Jacobsen	2005/0056669 A1*	3/2005	Lavelle A45F 4/12 224/153
D836,998 S	1/2019	Jacobsen	2005/0072181 A1	4/2005	Mogil et al.
D836,999 S	1/2019	Jacobsen	2005/0133399 A1*	6/2005	Fidrych A45F 3/04 206/545
D837,000 S	1/2019	Jacobsen	2005/0155891 A1	7/2005	Chen
D837,001 S	1/2019	Jacobsen	2005/0183446 A1	8/2005	Fuchs
D839,682 S	2/2019	Jacobsen	2005/0196510 A1	9/2005	Walters
D840,194 S	2/2019	Furieux et al.	2005/0205459 A1	9/2005	Mogil et al.
D840,689 S	2/2019	Seiders et al.	2005/0262871 A1	12/2005	Bailey-Weston
D840,761 S	2/2019	Seiders et al.	2005/0263528 A1	12/2005	Maldonado et al.
			2005/0279124 A1	12/2005	Maldonado
			2006/0007266 A1	1/2006	Silverbrook

(56)

References Cited

U.S. PATENT DOCUMENTS

2006/0010660 A1 1/2006 Stenhall
 2006/0021376 A1 2/2006 Scroggs
 2006/0102497 A1 5/2006 Wulf
 2006/0151533 A1 7/2006 Simunovic et al.
 2006/0201979 A1 9/2006 Achilles
 2006/0239593 A1 10/2006 Fidrych
 2006/0240159 A1 10/2006 Cash et al.
 2006/0248902 A1 11/2006 Hunnell
 2007/0012593 A1 1/2007 Kitchens et al.
 2007/0148305 A1 6/2007 Sherwood et al.
 2007/0148307 A1 6/2007 Sherwood et al.
 2007/0164063 A1 7/2007 Concepcion
 2007/0199966 A1 8/2007 Korchmar
 2007/0217187 A1 9/2007 Blakely et al.
 2007/0221693 A1 9/2007 Moore
 2007/0237432 A1* 10/2007 Mogil A45C 7/0077
 383/38
 2007/0261977 A1 11/2007 Sakai
 2007/0274613 A1 11/2007 Pruchnicki et al.
 2007/0290816 A1 12/2007 Bedard
 2008/0038424 A1 2/2008 Krusemann
 2008/0073364 A1 3/2008 Simmons
 2008/0105282 A1 5/2008 Fernholz et al.
 2008/0128421 A1 6/2008 Ulbrand et al.
 2008/0160149 A1 7/2008 Nasrallah et al.
 2008/0164265 A1 7/2008 Conforti
 2008/0178865 A1 7/2008 Retterer
 2008/0189918 A1 8/2008 Kusayama
 2008/0245096 A1 10/2008 Hanson et al.
 2008/0260303 A1 10/2008 De Lesseux et al.
 2008/0264925 A1 10/2008 Lockhart et al.
 2008/0305235 A1 12/2008 Gao et al.
 2009/0052809 A1 2/2009 Sampson
 2009/0080808 A1 3/2009 Hagen
 2009/0095757 A1 4/2009 Ramundi
 2009/0242619 A1 10/2009 Blomberg
 2009/0280229 A1 11/2009 Constantine et al.
 2009/0311378 A1 12/2009 Wilaschin et al.
 2009/0317514 A1 12/2009 Sizer
 2010/0047423 A1 2/2010 Kruesemann et al.
 2010/0059199 A1 3/2010 Court
 2010/0075006 A1 3/2010 Semenza
 2010/0108694 A1 5/2010 Sedlbauer et al.
 2010/0136203 A1 6/2010 Sakata et al.
 2010/0143567 A1 6/2010 Ye et al.
 2010/0224660 A1 9/2010 Gleason
 2010/0269311 A1 10/2010 Jacobsen
 2010/0284631 A1 11/2010 Lee
 2010/0284634 A1 11/2010 Hadley
 2011/0003975 A1 1/2011 Arase et al.
 2011/0005042 A1 1/2011 Thomas et al.
 2011/0005739 A1 1/2011 Finney et al.
 2011/0030415 A1 2/2011 Breyburg et al.
 2011/0097442 A1 4/2011 Harju et al.
 2011/0108562 A1 5/2011 Lyons
 2011/0155611 A1 6/2011 Armstrong
 2011/0167863 A1 7/2011 Herrbold
 2011/0182532 A1 7/2011 Baltus
 2011/0191933 A1 8/2011 Gregory et al.
 2011/0284601 A1 11/2011 Pullin
 2011/0311166 A1 12/2011 Pascua
 2012/0106130 A1 5/2012 Beaudette
 2012/0137637 A1 6/2012 Gillis
 2012/0180184 A1 7/2012 Crye
 2012/0181211 A1 7/2012 Charlebois
 2012/0187138 A1 7/2012 Vasquez et al.
 2012/0261445 A1 10/2012 Demskey
 2012/0294550 A1 11/2012 Hassman et al.
 2012/0311828 A1 12/2012 Nir
 2013/0014355 A1 1/2013 Lee
 2013/0043285 A1 2/2013 Cordray
 2013/0174600 A1 7/2013 Sarcinella
 2013/0200083 A1 8/2013 Cunningham
 2013/0216158 A1 8/2013 Meldeau et al.
 2013/0243354 A1 9/2013 Lytle

2013/0264350 A1 10/2013 Handlon et al.
 2013/0294712 A1 11/2013 Seuk
 2013/0341338 A1 12/2013 Mitchell et al.
 2014/0023295 A1 1/2014 Wagner
 2014/0034543 A1 2/2014 Grubstein
 2014/0138378 A1 5/2014 Lequeux
 2014/0151172 A1 6/2014 Diaz
 2014/0226920 A1 8/2014 Passavia
 2014/0248003 A1 9/2014 Mogil et al.
 2014/0254956 A1 9/2014 Buell, III
 2014/0270590 A1 9/2014 Ostroy
 2014/0304954 A1 10/2014 La Rocca et al.
 2014/0345314 A1 11/2014 Cox et al.
 2014/0359978 A1 12/2014 Wang
 2014/0366336 A1 12/2014 Chung
 2015/0008242 A1 1/2015 Kpabar, Jr.
 2015/0114024 A1 4/2015 Grepper
 2015/0136796 A1 5/2015 Muehlhauser
 2015/0143672 A1 5/2015 Konaka et al.
 2015/0164153 A1 6/2015 Tsai
 2015/0175338 A1 6/2015 Culp et al.
 2015/0225164 A1 8/2015 Seiders et al.
 2015/0296945 A1 10/2015 Douglas
 2015/0305402 A1 10/2015 Bourgoin
 2015/0335202 A1 11/2015 Wisner et al.
 2015/0353263 A1 12/2015 Seiders et al.
 2016/0058142 A1 3/2016 Buynar
 2016/0066817 A1 3/2016 Hannes
 2016/0095405 A1 4/2016 Wang
 2016/0100661 A1 4/2016 Redzisz et al.
 2016/0101924 A1 4/2016 Mitchell et al.
 2016/0107801 A1 4/2016 Armstrong
 2016/0107816 A1 4/2016 Larpenteur et al.
 2016/0198812 A1 7/2016 Tan
 2016/0198901 A1 7/2016 De Lesseux et al.
 2016/0221722 A1 8/2016 Burke et al.
 2016/0236849 A1 8/2016 Seiders et al.
 2016/0255943 A1 9/2016 Houston et al.
 2016/0257479 A1 9/2016 Seiders et al.
 2016/0338462 A1 11/2016 Hayashi
 2016/0338908 A1 11/2016 Rice et al.
 2016/0355319 A1 12/2016 Stephens
 2017/0036844 A1 2/2017 Seiders et al.
 2017/0066559 A1 3/2017 Kim et al.
 2017/0071304 A1 3/2017 Wang
 2017/0071305 A1 3/2017 Wang
 2017/0099920 A1 4/2017 Bailey
 2017/0119116 A1 5/2017 Bradley
 2017/0121059 A1 5/2017 Fads
 2017/0137205 A1 5/2017 Graf et al.
 2017/0208907 A1 7/2017 Chung
 2017/0210542 A1 7/2017 Seiders et al.
 2017/0225872 A1 8/2017 Collie
 2017/0265604 A1 9/2017 Martinson et al.
 2017/0280937 A1 10/2017 Mogil et al.
 2018/0016084 A1 1/2018 Xia et al.
 2018/0078008 A1 3/2018 Sturm
 2018/0098607 A1 4/2018 Seiders et al.
 2018/0162626 A1 6/2018 Munie et al.
 2018/0229911 A1 8/2018 Luo
 2018/0235324 A1 8/2018 Gordon
 2018/0242701 A1 8/2018 Seiders et al.
 2018/0263346 A1 9/2018 Stephens
 2018/0279733 A1 10/2018 Young et al.
 2018/0317620 A1 11/2018 Larson et al.
 2018/0360172 A1 12/2018 Chou
 2018/0370710 A1 12/2018 Luo
 2019/0037976 A1 2/2019 Cheng
 2019/0133281 A1 5/2019 Munie et al.
 2019/0142116 A1 5/2019 Cheng
 2019/0142117 A1 5/2019 Myerscough et al.
 2019/0170422 A1 6/2019 Dexter
 2020/0029658 A1 1/2020 Zhang
 2020/0037711 A1 2/2020 Kayahara et al.

FOREIGN PATENT DOCUMENTS

AU 201614230 S 8/2016
 BE 1015808 A6 9/2005

(56)

References Cited

FOREIGN PATENT DOCUMENTS			
CA	2243820	A1	1/2000
CA	89737	A	6/2000
CA	2300014	A1	8/2001
CA	2327764	A1	6/2002
CA	2433251	A1	12/2004
CA	2483802	A1	4/2006
CA	2498796	A1	9/2006
CA	2499291	A1	9/2006
CA	2503473	A1	10/2006
CA	2548064	A1	11/2007
CA	2549327	A1	11/2007
CA	2633223	A1	12/2009
CA	2782668	A1	12/2013
CA	163677	A	6/2016
CN	2125339	U	12/1992
CN	2188899	Y	2/1995
CN	201062136	Y	5/2008
CN	101500900	A	8/2009
CN	201948200	U	8/2011
CN	101500900	B	9/2011
CN	301956022		6/2012
CN	102717977	A	10/2012
CN	202619972	U	12/2012
CN	202959175	U	6/2013
CN	103385657	A	11/2013
CN	302623771		11/2013
CN	302623775		11/2013
CN	302746176		2/2014
CN	302769710		3/2014
CN	103763994	A	4/2014
CN	302956550		10/2014
CN	204120419	U	1/2015
CN	303100086		2/2015
CN	303342902		8/2015
CN	204763894	U	11/2015
CN	303459386		11/2015
CN	105520325	A	4/2016
CN	105819110	A	8/2016
CN	304259949		8/2017
CN	304373532		11/2017
CN	304906858		11/2018
CN	208259266	U	12/2018
DE	3539626	A1	5/1987
DE	20002689	U1	8/2000
DE	202011050174	U1	7/2011
DE	202013101115	U1	3/2013
EM	002182642-0001		2/2013
EM	002322552-0001		10/2013
EM	002745190-0001		9/2015
EM	004100048-0001		9/2017
EM	004100048-0002		9/2017
EM	300978269.0000		10/2018
EM	003328608-0009		2/2019
EP	0037545	A2	10/1981
EP	0082161	A2	6/1983
EP	85534	A1	8/1983
EP	0158634	A1	10/1985
EP	0174159	A2	3/1986
EP	0238932	A1	9/1987
FR	1269009	A	8/1961
FR	2440886	A1	6/1980
GB	191415563	A	6/1915
GB	1600133	A	10/1981
GB	2249717	A	5/1992
GB	2023549	A	9/1992
GB	2335972	A	10/1999
GB	3004135		9/2002
GB	3006367		10/2002
GB	6028395		2/2018
JP	11051532		2/1999
JP	3275477	B2	4/2002
JP	D1160335		12/2002
JP	2003026258	A	1/2003
JP	D1213384		8/2004
JP	D1242111		6/2005

JP	2010023926	A	2/2010
JP	D1445624		7/2012
JP	D1469606		5/2013
JP	D1531414		8/2015
JP	D1543325		8/2015
KR	20020027739	A	4/2002
KR	20040092730	A	11/2004
KR	101282512	B1	7/2013
KR	300778570.0000		1/2015
KR	300808669.0000		8/2015
KR	300835242.0000		1/2016
KR	300853718.0000		5/2016
KR	300968949.0000		8/2018
WO	9524146	A2	9/1995
WO	9812954	A1	4/1998
WO	02058500	A1	8/2002
WO	2006007266	A2	1/2006
WO	2006058538	A1	6/2006
WO	2007016092	A2	2/2007
WO	2010106296	A2	9/2010
WO	2010120199	A1	10/2010
WO	2012003543	A1	1/2012
WO	2014033450	A1	3/2014
WO	2014066026	A1	5/2014
WO	2016066817	A1	5/2016
WO	2017091761	A1	6/2017
WO	2017136754	A1	8/2017
WO	2017197230	A1	11/2017
WO	2018152402	A1	8/2018
WO	2018165426	A1	9/2018
WO	2019135922	A1	7/2019

OTHER PUBLICATIONS

United States District Court Western District of Texas, Austin Division, “Defendant Olympia Tools International, Inc. d/b/a Coho Outdoors’ Answer and Counterclaims to Plaintiff’s Original Complaint,” *Yeti Coolers, LLC v. Olympia Tools International, Inc. d/b/a Coho Outdoors*, Case 1:19-cv-00912, filed Dec. 18, 2019, 48 pages. Translation of FR 1269009A, Jackson, Jr., Jun. 26. 1961, p. 1, Fig. 2.

Mar. 20, 2020—(CN) Office Action—App. No. 201680076714.8.

Jul. 14, 2020—(CA) Office Action—App. No. 3024101.

First Look: Yeti Hopper Flip Soft Cooler Review | GearJunkie which was published on the website; <https://gearjunkie.com/review-yeti-hopper-flip-12-soft-cooler> on Jul. 12, 2016.

Yeti Flip Review—YouTube which was published on the website <https://www.youtube.com/watch?v=97Vdb3lazdw> on Sep. 8, 2016.

Jul. 2, 2020—(AU) First Office Action—App. No. 201712263.

Jul. 2, 2020—(AU) First Office Action—App. No. 201712262.

Jul. 2, 2020—(AU) First Office Action—App. No. 201712264.

Jul. 2, 2020—(AU) First Office Action—App. No. 201712265.

Jul. 31, 2020—(CN) Second Office Action (with English Translation)—App. No. 201780020473.X.

Aug. 17, 2020—(CN) Third Office Action (with English Translation)—App. No. 201680076714.8.

Oct. 19, 2020—(NZ) Patent Examination Report 1—App. No. 759046.

Stopper Dry Bag, <http://www.seatosummit.com/products/display/181>, published date unknown, but prior to the filing date of the present application, Sea to Summit, United States.

Icemule Classic Cooler—Large (20L), <http://www.icemulecooler.com/icemule-classic-cooler-large-20l/>, published date unknown, but prior to the filing date of the present application, Icemule, United States.

Devonbuy.com: Thule Gauntlet 13" MacBook Pro Attaché. Published on Jul. 28, 2014. Retrieved from the internet at <http://www.devonbuy.com/thule-gauntlet-13-macbook-pro-attache/>, Feb. 24, 2016. 9 pages.

United States District Court for the Western District of Texas, Austin Division, “Defendants’ Answer and Counterclaims to Yeti’s Complaint,” *Yeti Coolers, LLC, vs. RTIC Soft Sided Coolers, LLC, RTIC*

(56)

References Cited

OTHER PUBLICATIONS

Coolers, LLC, RTIC Web Services, LLC, and Corporate Support and Fulfillment, LLC, Case 1:16-cv-00909-RP, Document 11, Filed Aug. 18, 2016, 44 pages.

United States District Court Western District of Texas, Austin Division, “Complaint,” *Yeti Coolers, LLC*, v. *RTIC Soft Side Coolers, RTIC Coolers, LLC, RTIC Web Services, LLC, and Corporate Support and Fulfillment, LLC*, Case 1:16-cv-00909, Document 1, Filed Jul. 27, 2016, 66 pages.

United States District Court Western District of Texas, Austin Division, “Complaint for Damages and Injunctive Relief,” *Yeti Coolers, LLC* v. *Jennifer Leverage Bootz Evans d/b/a/ Bling and Burlap Buy In’s and Blanks*, Case 1:15-cv-00995, Document 1, Filed Nov. 2, 2015, 128 pages.

United States District Court Western District of Texas, Austin Division, “Order,” *Yeti Coolers, LLC* v. *Jennifer Leverage Bootz Evans d/b/a Bling and Burlap Buy In’s and Blanks*, Case 1:15-cv-00995-RP, Document 18, Filed Apr. 18, 2016, 1 page.

United States District Court Western District of Texas, Austin Division, “Defendant’s Reply in Support of Their Rule 12 (B)(6) Motion to Dismiss for Failure to State a Claim” *Yeti Coolers, LLC* v. *RTIC Soft Sided Coolers, LLC, RTIC Coolers, LLC, RTIC Web Services, LLC, and Corporate Support and Fulfillment, LLC*, Case 1:16-cv-00909-RP, Document 15, Filed Sep. 8, 2016, 13 pages.

United States District Court Western District of Texas, Austin Division, “Yeti’s Answer to RTIC’s Counterclaims,” *Yeti Coolers, LLC* v. *RTIC Soft Sided Coolers, LLC, RTIC Coolers, LLC, RTIC Web Services, LLC, and Corporate Support and Fulfillment, LLC*, Case 1:16-cv-00909-RP, Document 14, Filed Sep. 2, 2016, 16 pages.

United States District Court Western District of Texas, Austin Division, “Yeti’s Opposition to RTIC’s Motion to Dismiss,” *Yeti Coolers, LLC* v. *RTIC Soft Sided Coolers, LLC, RTIC Coolers, LLC, RTIC Web Services, LLC, and Corporate Support and Fulfillment, LLC*, Case 1:16-cv-00909-RP, Document 13, Filed Sep. 1, 2016, 17 pages.

United States District Court for the Western District of Texas, Austin Division, “Defendants’ Rule 12(B)(6) Motion to Dismiss for Failure to State a Claim,” *Yeti Coolers, LLC*, vs. *RTIC Soft Sided Coolers, LLC, RTIC Coolers, LLC, RTIC Web Services, LLC, and Corporate Support and Fulfillment, LLC*, Case 1:16-cv-00909-RP, Document 10, Filed Aug. 18, 2016, 12 pages.

United States District Court for the Western District of Texas, Austin Division, “Joint Rule 26(f) Report and Discovery Plan,” *Yeti Coolers, LLC*, vs. *RTIC Soft Sided Coolers, LLC, RTIC Coolers, LLC, RTIC Web Services, LLC, and Corporate Support and Fulfillment, LLC*, Case 1:16-cv-00909-RP, Document 19, Filed Oct. 11, 2016, 9 pages.

Petition for Inter Partes Review of U.S. Pat. No. 9,139,352, filed on Dec. 13, 2016, 1616 pages.

TheGadgeteer.com: Tom Bihn Camera I-O Bag Review. Published Jul. 9, 2012. Retrieved from the internet at <<http://the-gadgeteer.com/2012/07/09/tom-bihn-camera-i-o-bag-review/>>, Jan. 11, 2016, 7 pages.

YouTube.com: Patagonia Black Hole Duffel 60L. Published Aug. 26, 2013. Retrieved from the internet at <<https://www.youtube.com/watch?v=W-PWEmZmVv8>>, Dec. 19, 2016, 1 page.

Youtube, “Yeti Hopper Cooler At Icast 2014”, Uploaded by user “TackleDirect” on Jul. 17, 2014, Accessed Jan. 31, 2017. (<https://www.youtube.com/watch?v=A2rKRdyZcZ4>).

Ebags, Picnic Pack Picnic Pack Large Insulated Cooler Tote, First reviewed on Jul. 20, 2016. Accessed Feb. 7, 2017. (<http://www.ebags.com/product/picnic-pack/picnic-pack-large-insulated-cooler-tote/313704?productid=10428840>).

United States Patent and Trademark Office Before the Patent Trial and Appeal Board, Decisions Joint Motions to Terminate Inter Partes Review, Entered Mar. 22, 2017—(4 pgs).

Jan. 31, 2017—(WO) International Search Report and Written Opinion—App. PCT/US2016/060135.

Mar. 27, 2017—(WO) International Search Report and Written Opinion—App PCT/US2017/016552.

May 8, 2017—U.S. Non-Final Office Action—U.S. Appl. No. 15/154,626.

May 22, 2015—U.S. Non-Final Office Action—U.S. Appl. No. 14/479,607.

United States District Court Western District of Texas Austin Division, “Complaint,” *Yeti Coolers, LLC* v. *Glacier coolers, LLC, and Tecomate Holdings, LLC*, Case 1:17-cv-00586, Document 1, filed Jun. 15, 2017, 161 pages.

May 30, 2017—(WO) ISR—App. No. PCT/US17/32351.

May 30, 2017—(WO) Written Opinion—App. No. PCT/US17/32351.

Vimeo, “Cleaning Your Yeti Hopper” uploaded by user Yeti Coolers on Nov. 4, 2014, Accessed Sep. 27, 2017. (<https://vimeo.com/110890075>).

Sep. 13, 2017—U.S. Final Office Action—U.S. Appl. No. 15/137,838.

Nov. 24, 2017—U.S. Final Office Action—U.S. Appl. No. 15/154,626.

Good Housekeeping, “Lands’ End Zip Top Cooler Tote #433786”, Reviewed on Apr. 2014, Accessed Nov. 18, 2017. (<http://www.goodhousekeeping.com/travel-products/food-cooler-reviews/a33270/lands-end-zip-top-cooler-tote-4337861>).

Home Shopping Network, “Built New York Large Welded Cooler Bag”, Accessed Nov. 18, 2017. (<https://www.hsn.com/products/built-new-york-large-welded-cooler-bag/8561033>).

Feb. 9, 2018—U.S. Non-Final Office Action—U.S. Appl. No. 15/451,064.

May 24, 2018—U.S. Non-final Office Action—U.S. Appl. No. 15/790,926.

Aug. 29, 2018 (WO)—International Search Report and Written Opinion—App. No. PCT/US18/36608.

Mar. 21, 2019—(WO) International Search Report and Written Opinion—App. No. PCT/US2018/066040.

Feb. 4, 2019—(AU) Examination Report—App. No. 2017263566—MM.

Jul. 3, 2019—(CN) First Office Action—App. No. 201780042659.5—MM.

Jun. 5, 2019—(AU) Notice of Acceptance for Patent Application—App 2017263566.

Oct. 2, 2019—(CN) Examiner’s Report—App. No. 2017032351.

Jun. 3, 2019—(CN) First Office Action—App. No. 201680076714.8.

amazon.com, “E-Manis Insulated Lunch Bag Adult Lunch Box Collapsible Multi-Layers Thermal Insulated Oxford Lunch Tote Cooler Bag for Men, women (grey),” visited May 7, 2019 at <https://www.amazon.com/MANIS-Insulated-Portable-Cooler-School/dp/B07BMT6948/ref=sr_1_23?keywords=soft+sided+cooler+lunch+box&qid=1557170800&s=home-garden&sr=1-23>.

amazon.com, “Zuzuro Lunch Bag Insulated Cooler Lunch Box w/3 Compartment—Heavy-Duty Fabric, Strong SBS Zippers—Includes 3 Meal Prep Lunch box Containers + 2 Ice Packs. For Men Women Adults (Black),” visited May 7, 2019 at <https://www.amazon.com/Zuzuro-Lunch-Insulated-Cooler-Compartment/dp/B079DZ2L1F/ref=sr_1_14?keywords=lunch+box+lid+ice+pack&qid=1557245496&s=gateway&sr=8-14>.

amazon.com, “Srotek Lunch Bag Insulated Lunch Box Tote Bag Cooler Bag Water-resistant Cute Lunch Bag Wide-open Thermal Tote Kit for Women/Girls/Work/Picnic, Grey Flamingo,” visited May 7, 2019 at <https://www.amazon.com/dp/B07N57JSJS/ref=sspa_dk_detail_9?psc=1&pd_rd_i=B07N57JSJS>.

amazon.com, “Lifewit Insulated Casserole Dish Carrier Thermal Lasagna Luger for Potluck Parties/Picnic/Beach, Lunch Bag to Keep Food Hot/Cold, 16.3x12.6x4.7”, Grey,” visited May 7, 2019 at <https://www.amazon.com/dp/B07BFWJPV5/ref=sspa_dk_detail_6?psc=1&pd_rd_i=B07BFWJPV5&pd_rd_w=tr7Ke&pf_rd_p=46cdcfa7-b302-4268-b799-8f7d8cb5008b&pd_rd_wg=j3TO&pf_rd_r=W7MFCBJR9DR0HV3ALZZB&pd_rd_r=604844a0-70d3-11e9-ad99-d763d3fc76f8>.

amazon.com, “Arctic Zone 2008IL515642 Thermal Insulated Hot/Cold Food Carrier, Green,” visited May 7, 2019 at <https://www.amazon.com/dp/B077T7FZBX/ref=sspa_dk_detail_0?psc=1&pd_rd_i=B077T7FZBX>.

Dec. 13, 2019—(CN) First Office Action—App. No. 201780020473.

(56)

References Cited

OTHER PUBLICATIONS

Jan. 12, 2021—(CN) Fourth Office Action—App. No. 201680076714.8.

Feb. 3, 2021—(EP) Extended Search Report—App. No. 18813247.6.

United States District Court Southern District of Texas Houston Division, “Plaintiff Yeti’s Complaint for Patent Infringement”, *Yeti Coolers, LLC v. Igloo Products Corporation*, Case 4:21-cv-00505, filed Feb. 12, 2021, 98 pages.

Feb. 24, 2021—(WO) International Search Report & Written Opinion—PCT/US20/059783.

United States District Court Western District of Texas, Austin Division, “Complaint for Damages and Injunctive Relief for: (1)-(12) Patent Infringement in Violation of 35 U.S.C. § 271; and (13) Breach of Contract”, *Yeti Coolers, LLC v. RTIC Outdoors, LLC; and Corporate Support & Fulfillment, LLC*, Case 1:21-cv-00214, filed Mar. 5, 2021, 338 pages.

* cited by examiner

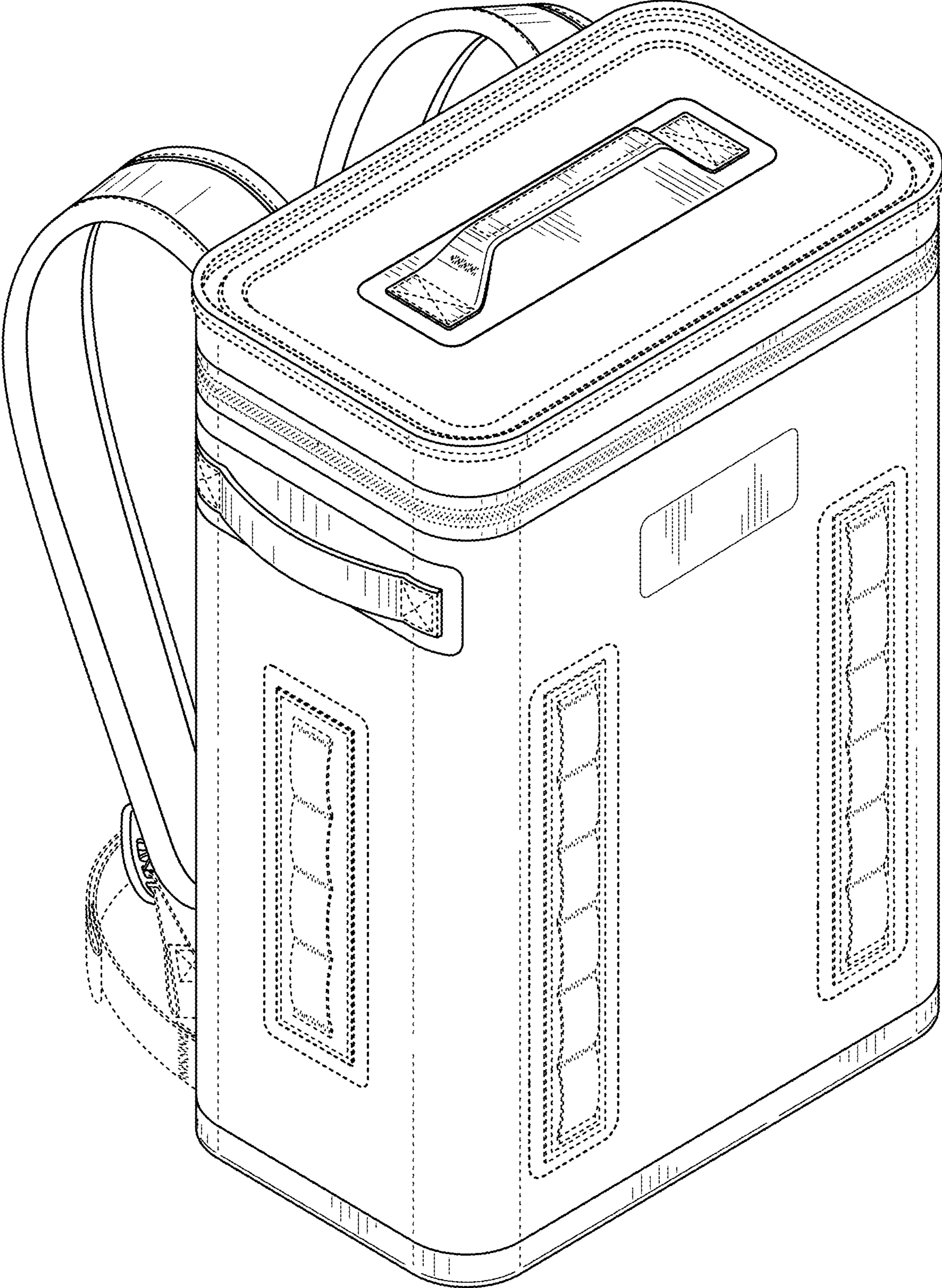


FIG . 1

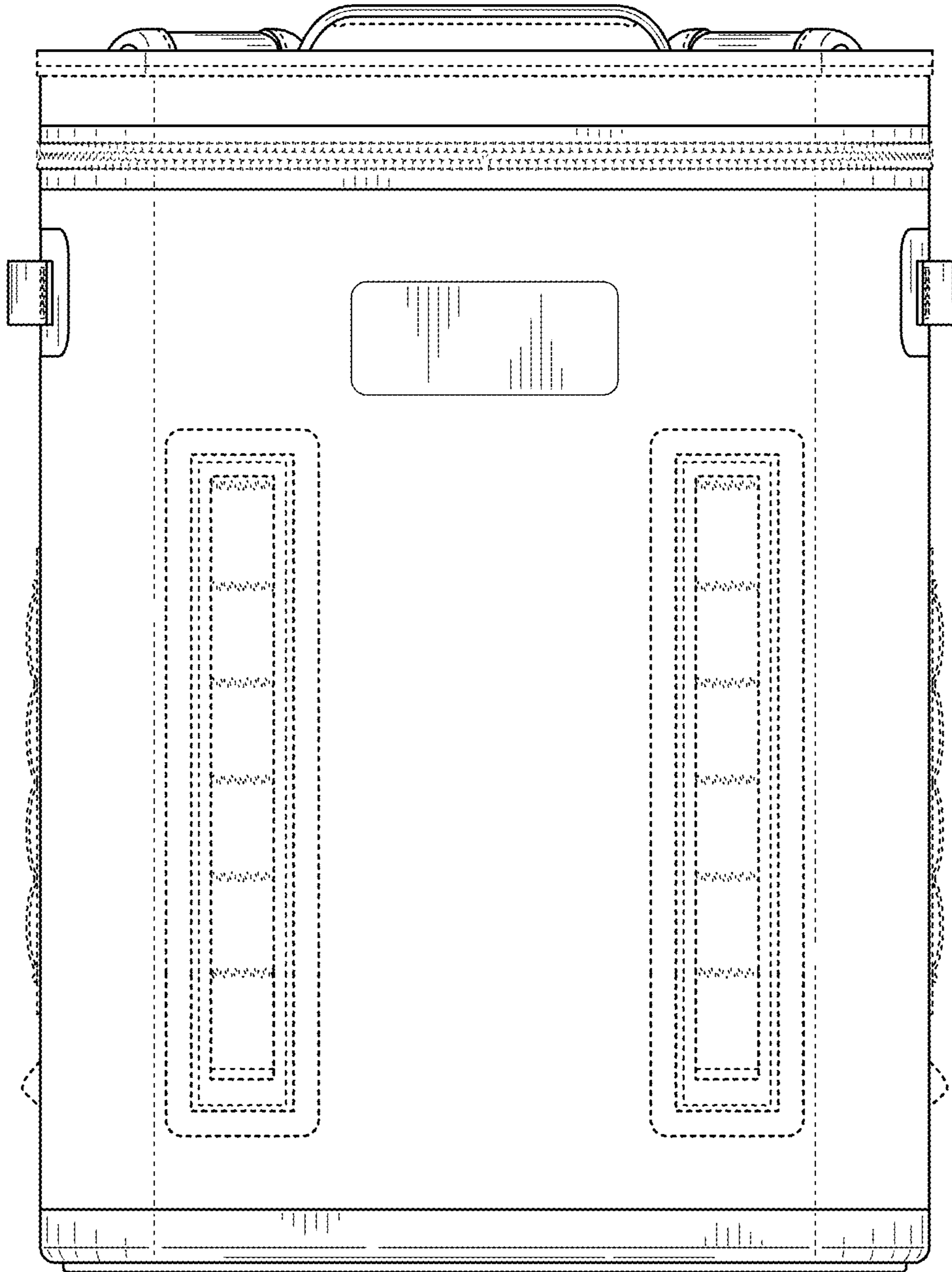


FIG . 2

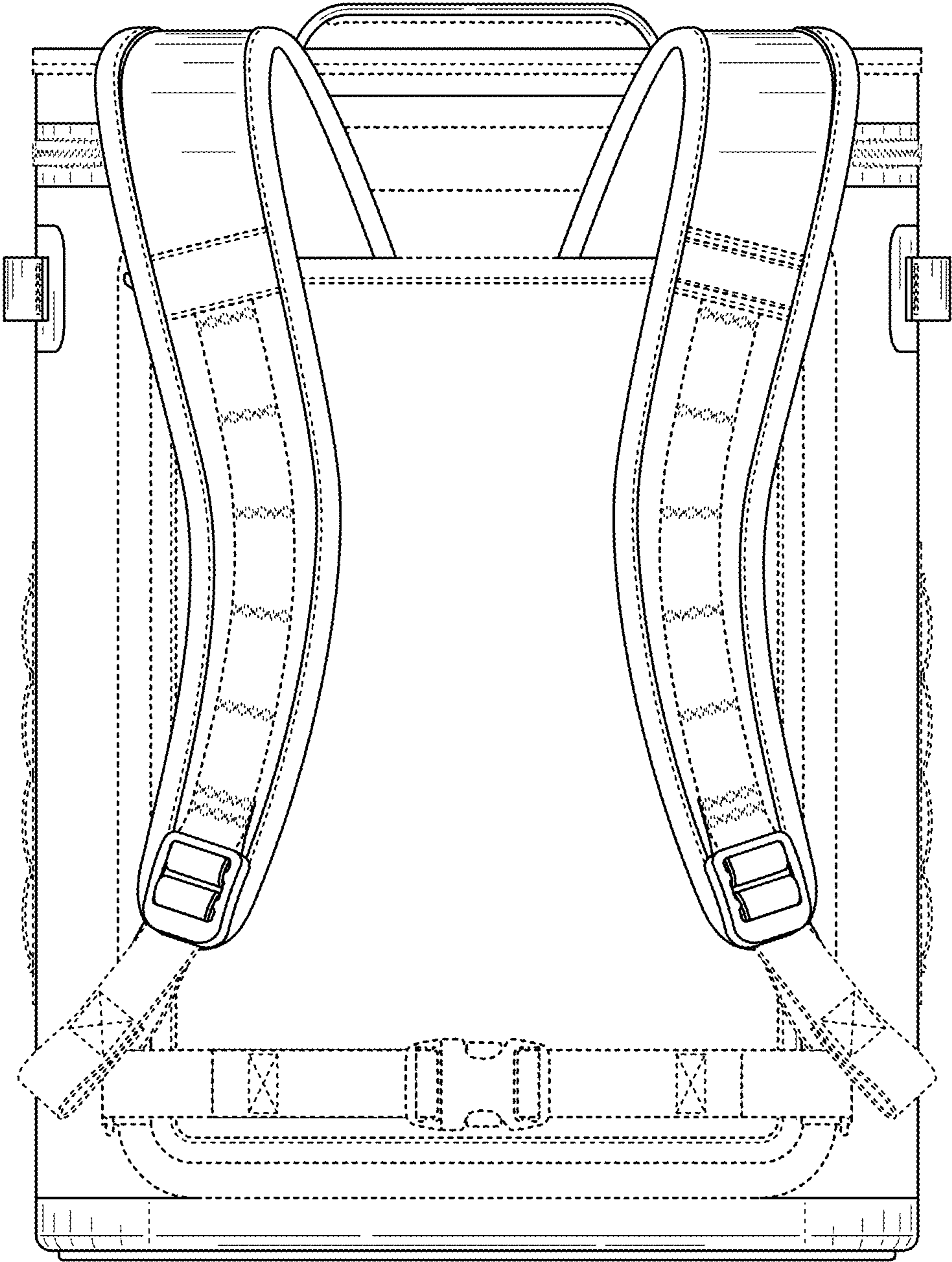


FIG . 3

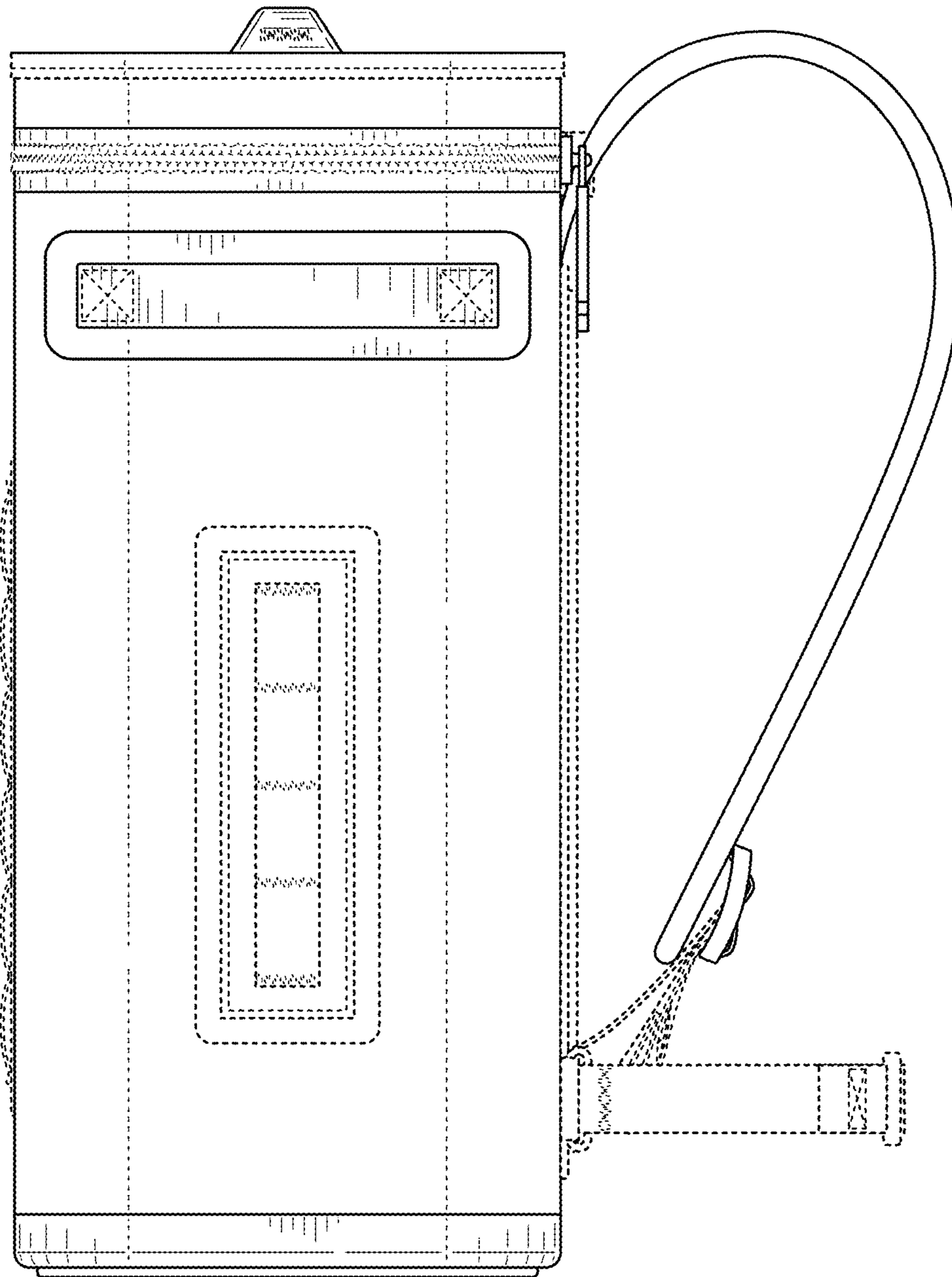


FIG . 4

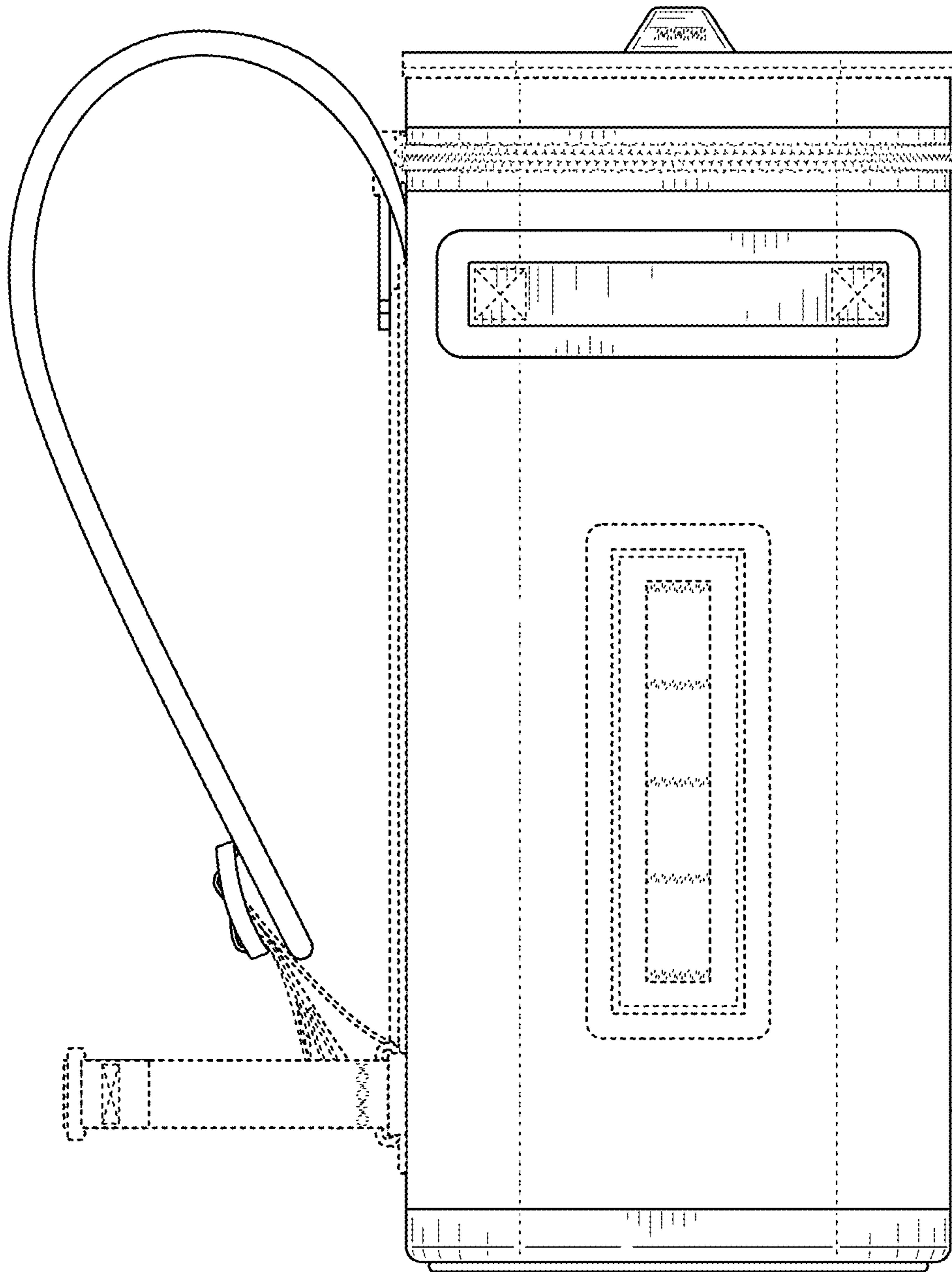


FIG . 5

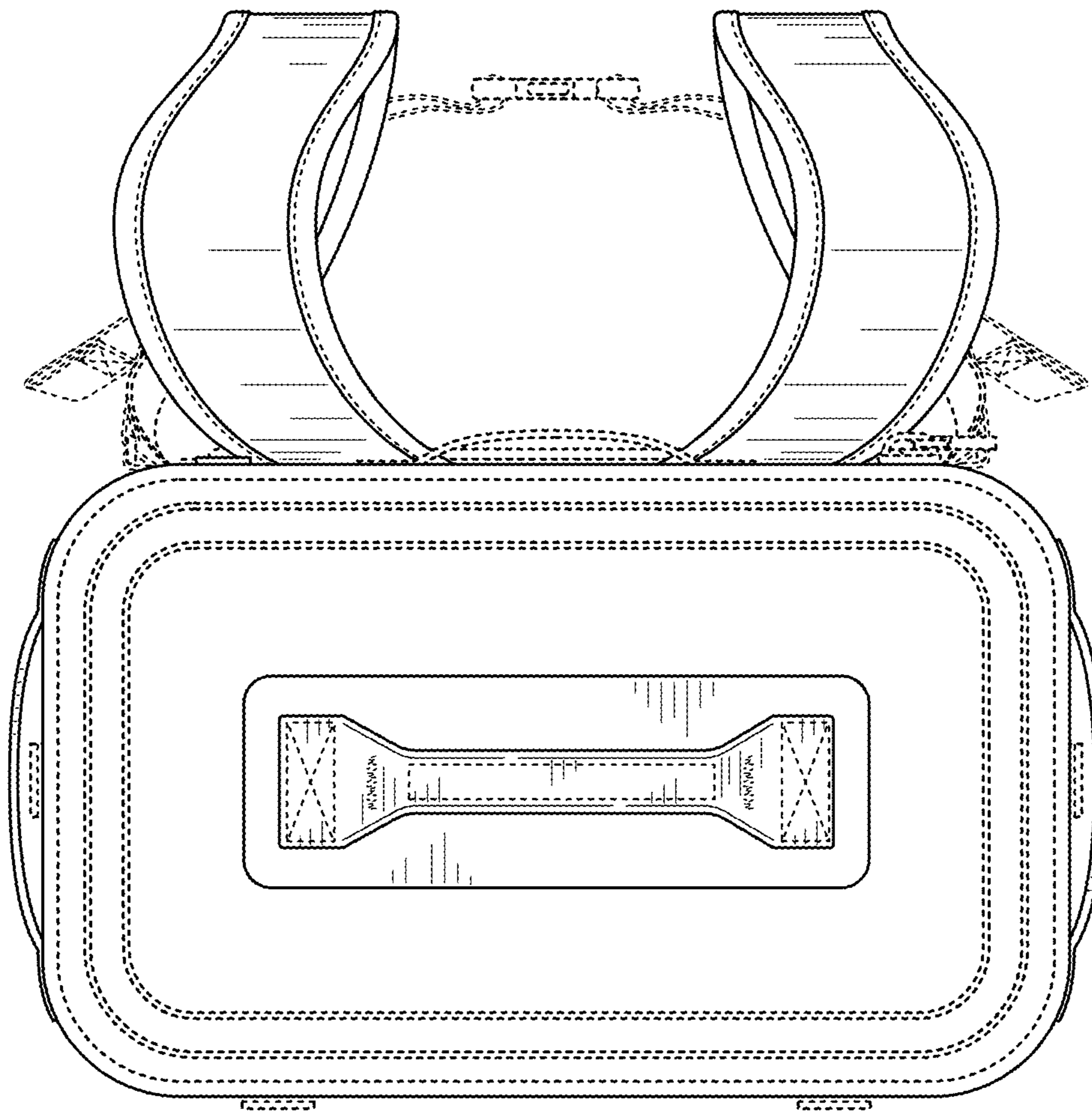


FIG . 6

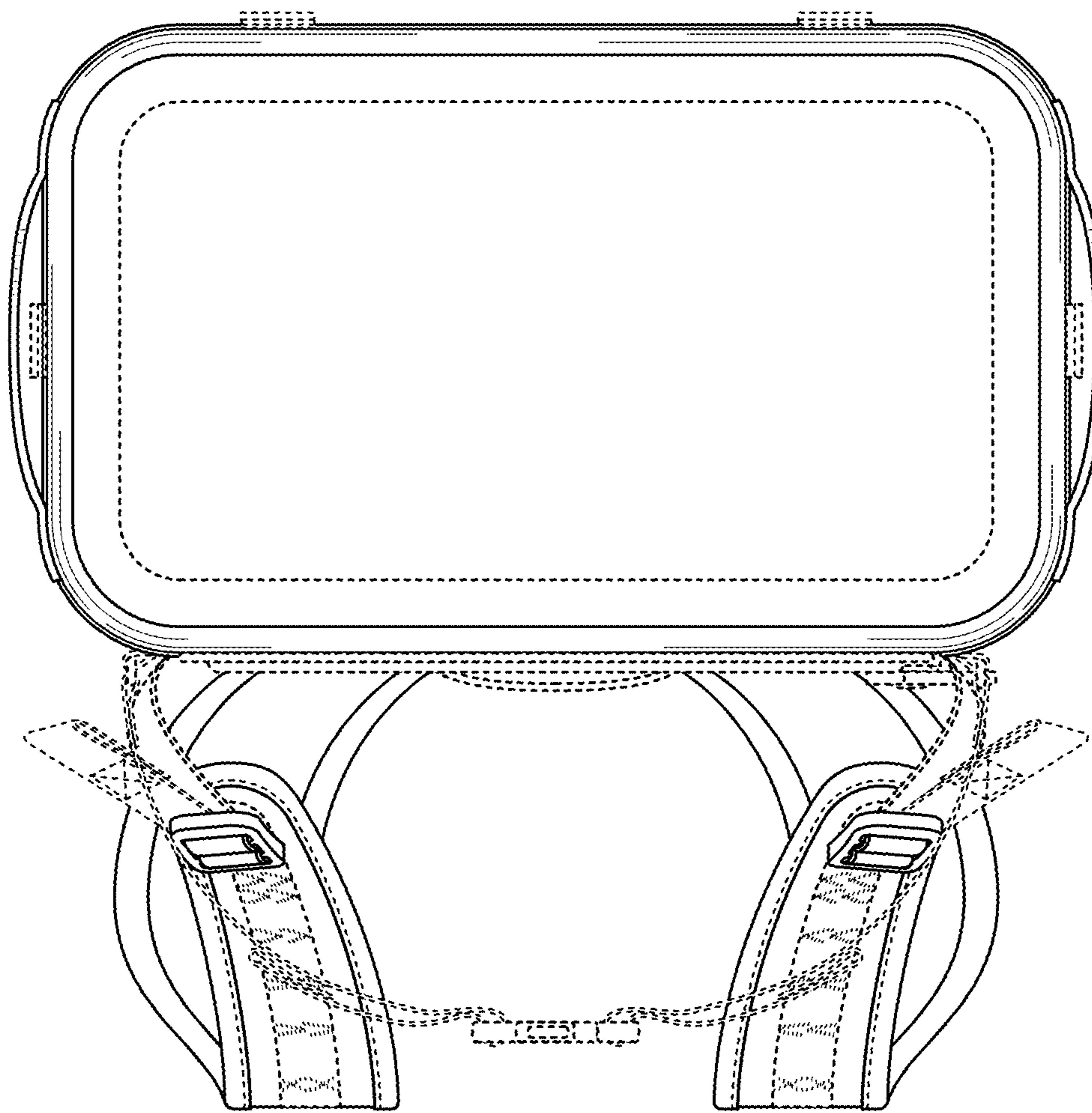


FIG . 7



FIG . 8