



US00D918664S

(12) **United States Design Patent** (10) **Patent No.:** **US D918,664 S**
Mayer (45) **Date of Patent:** **** May 11, 2021**

(54) **COMBINED ICE BUCKET TONG AND SCOOP HOLDER**

(71) Applicant: **Simone Mayer**, Miami, FL (US)

(72) Inventor: **Simone Mayer**, Miami, FL (US)

(**) Term: **15 Years**

(21) Appl. No.: **29/691,017**

(22) Filed: **May 13, 2019**

(51) **LOC (13) Cl.** **07-99**

(52) **U.S. Cl.**
USPC **D7/603**

(58) **Field of Classification Search**
USPC D7/603, 620, 387, 601; D8/349
CPC A47G 21/14; A47G 21/145; A47J 43/287
See application file for complete search history.

(56) **References Cited**

U.S. PATENT DOCUMENTS

- 1,483,833 A * 2/1924 Potter A47J 43/287
248/37.6
- 1,752,522 A * 4/1930 Eckelman A47G 21/145
248/37.6
- 2,919,086 A * 12/1959 McMahan A47G 21/145
248/37.6
- 5,078,280 A * 1/1992 Nordeen B25H 5/00
211/119.003

- 6,635,332 B1 * 10/2003 McArthur A47K 1/09
206/352
- D486,700 S * 2/2004 Wright D7/603
- 2015/0108286 A1 * 4/2015 Barnes A47J 43/287
248/37.6

* cited by examiner

Primary Examiner — Terry A Wallace

(74) *Attorney, Agent, or Firm* — Fross Zelnick Lehrman & Zissu, P.C.; Lawrence E. Apolzon, Esq.

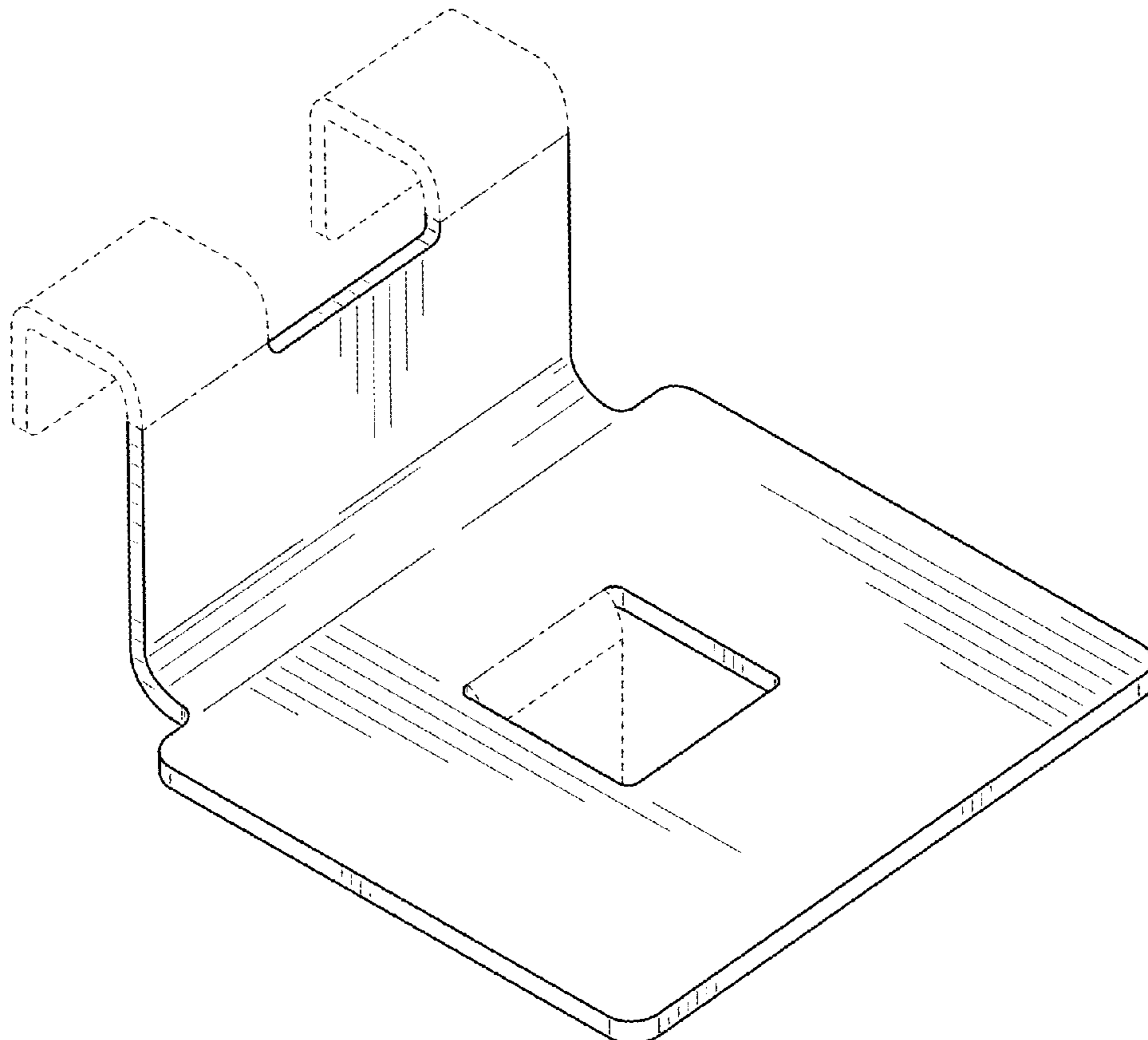
(57) **CLAIM**

The ornamental design for an combined ice bucket tong and scoop holder, as shown and described.

DESCRIPTION

FIG. 1 is a front perspective view of an combined ice bucket tong and scoop holder showing my new design;
 FIG. 2 is a front view thereof;
 FIG. 3 is a back view thereof;
 FIG. 4 is a right side view thereof;
 FIG. 5 is a left side view thereof;
 FIG. 6 is a top view thereof;
 FIG. 7 is a bottom view thereof; and,
 FIG. 8 is a front perspective view thereof shown in an environment of an ice bucket.
 The broken lines illustrate portions of the combined ice bucket tong and scoop holder and form no part of the claimed design.

1 Claim, 5 Drawing Sheets



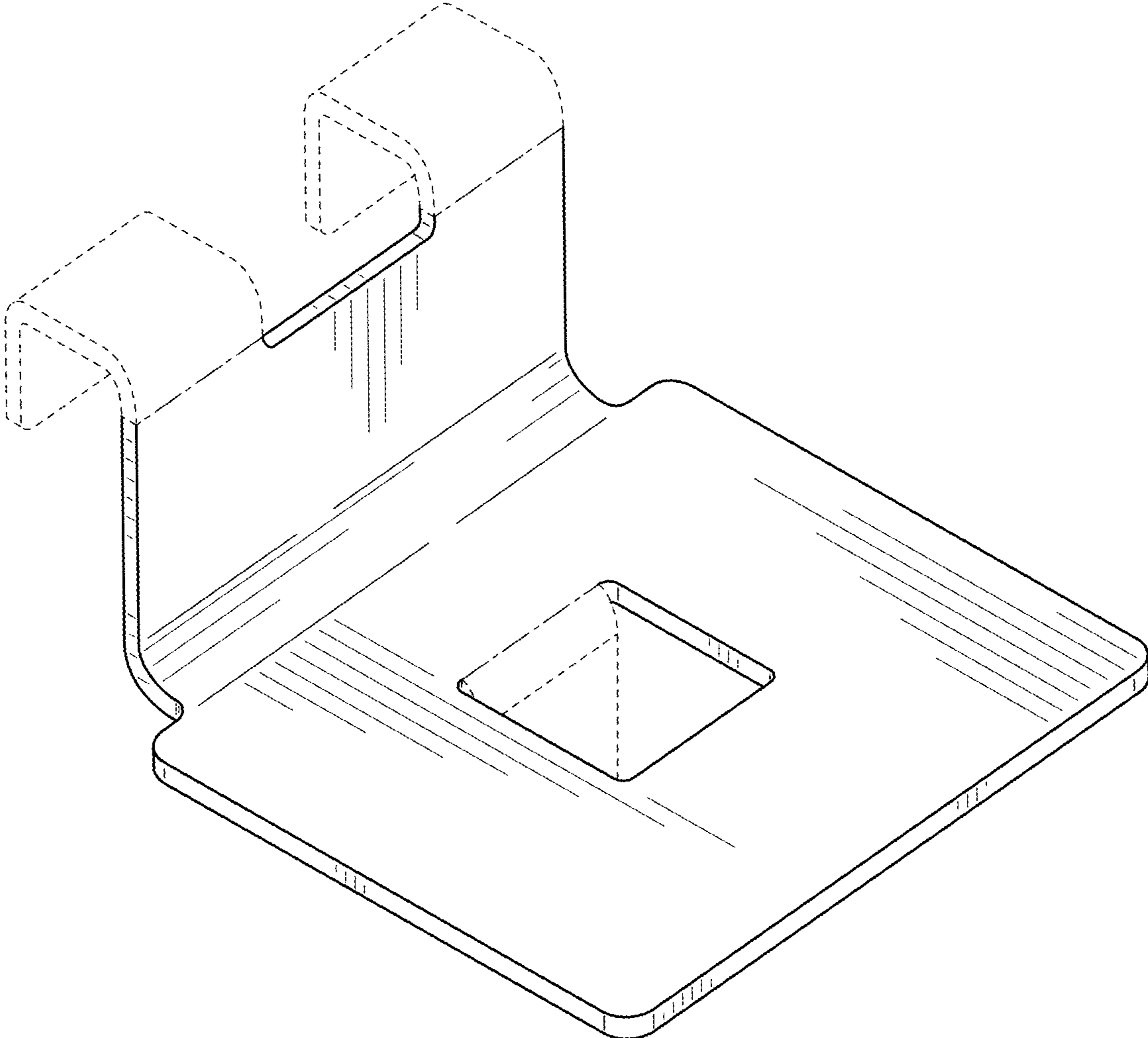


FIG. 1

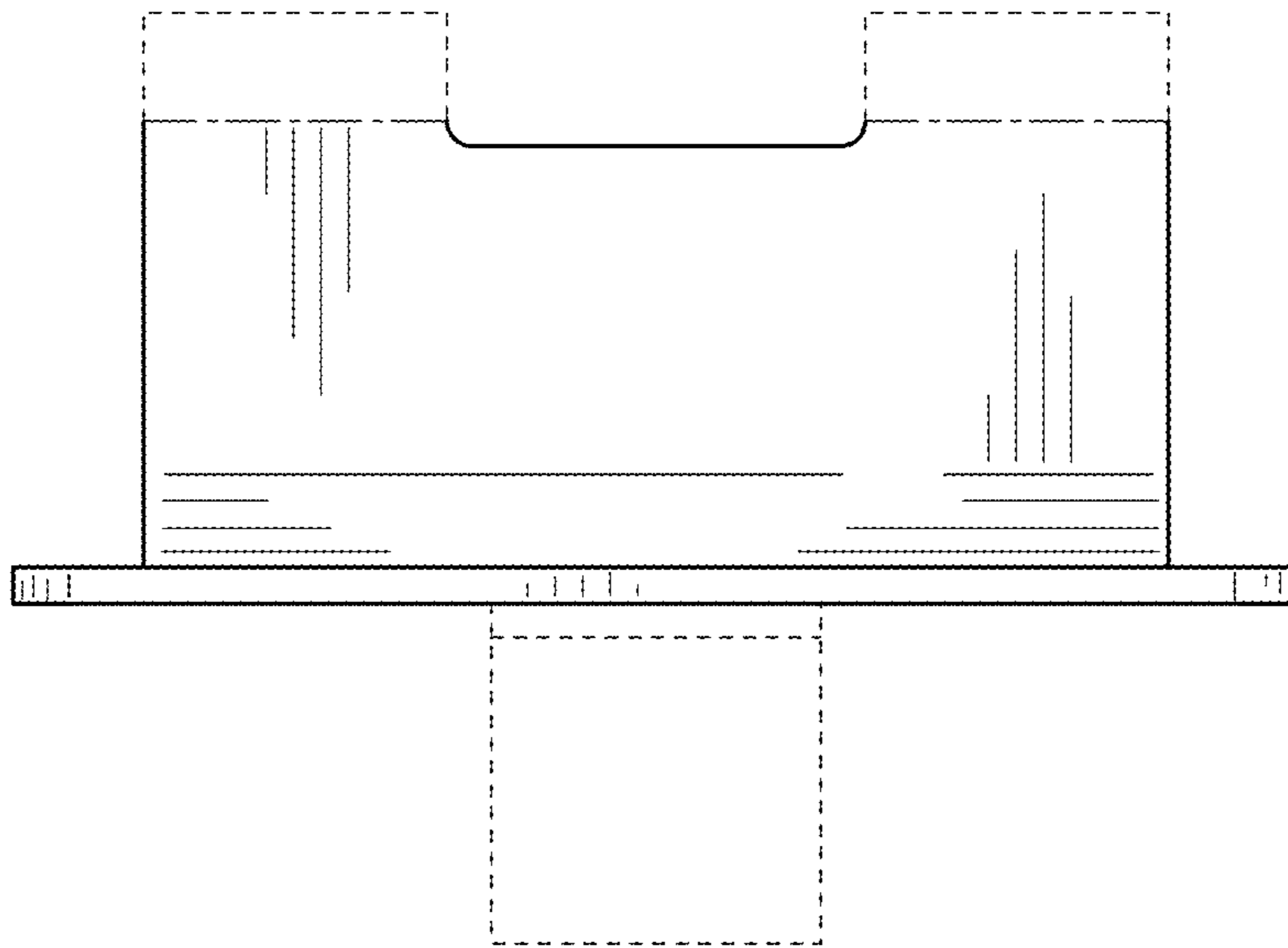


FIG. 2

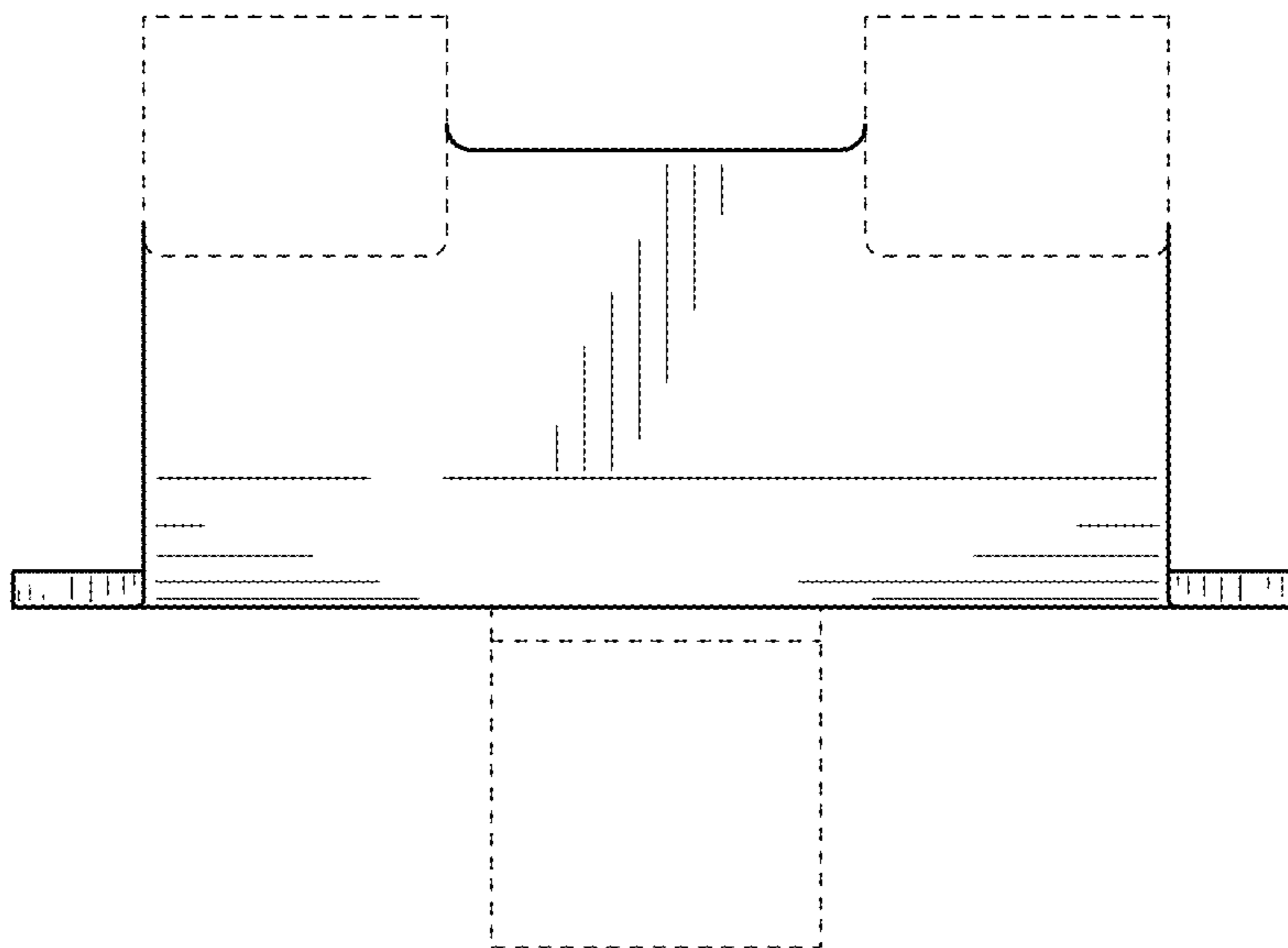


FIG. 3

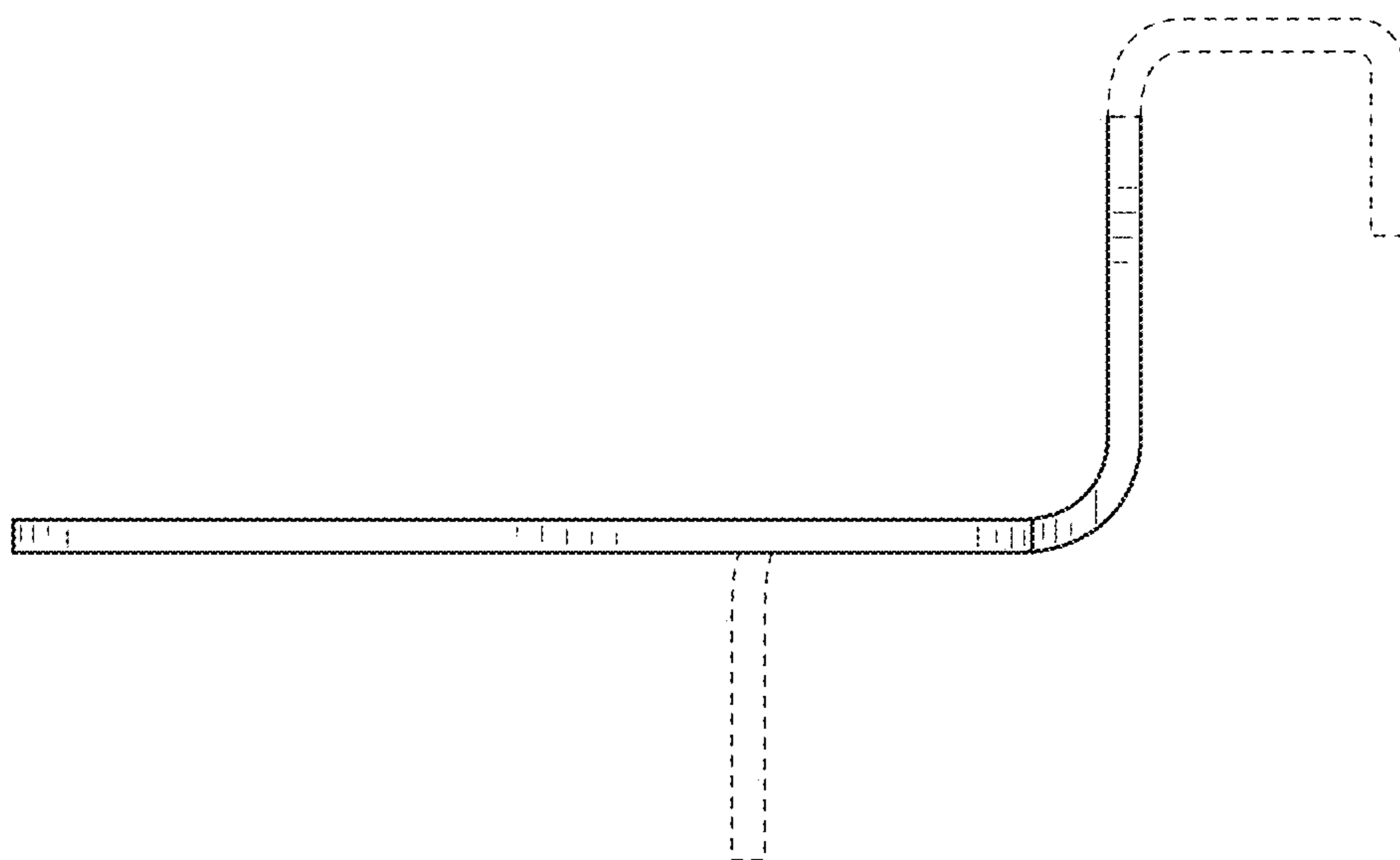


FIG. 4

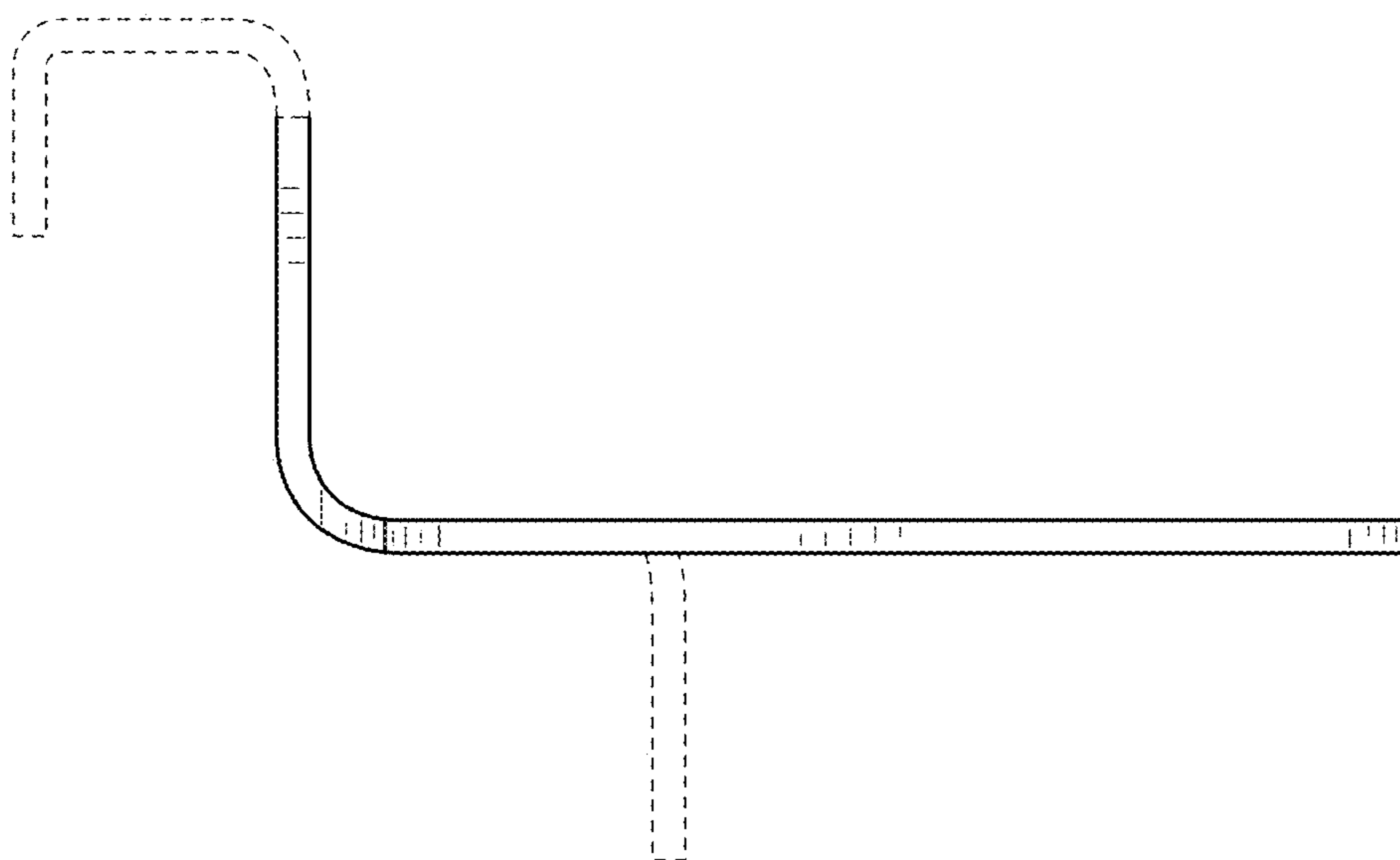


FIG. 5

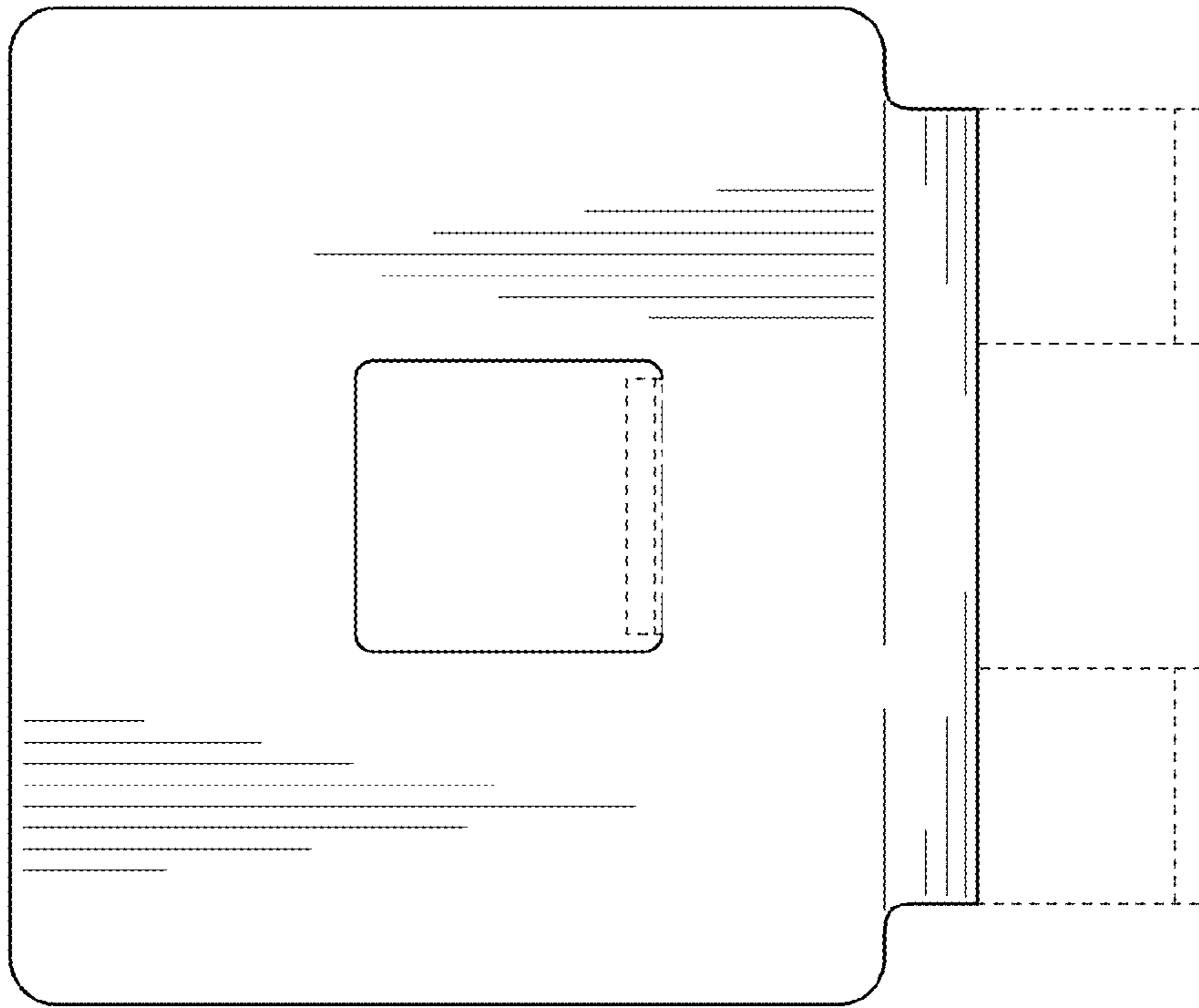
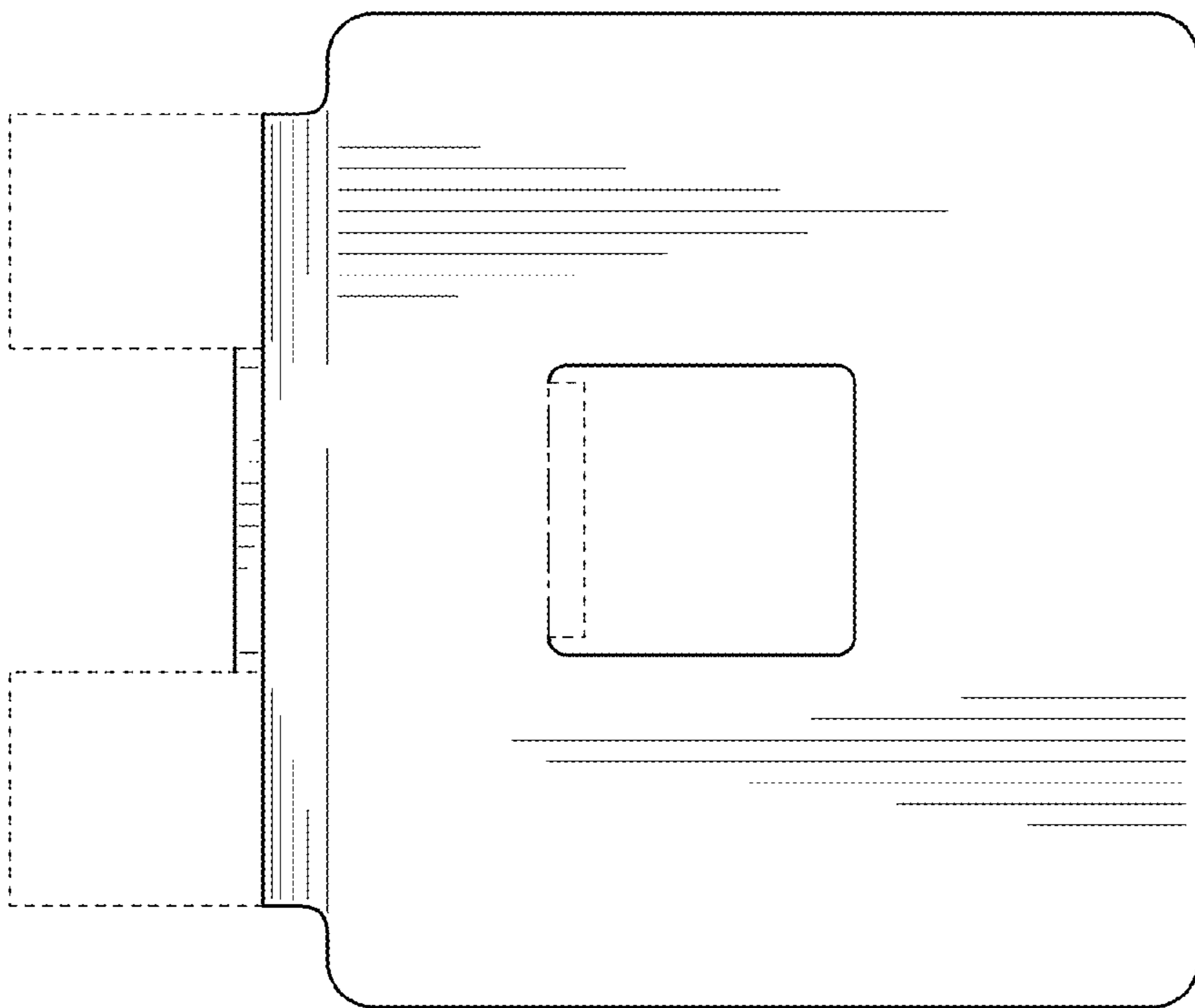


FIG. 6

FIG. 7

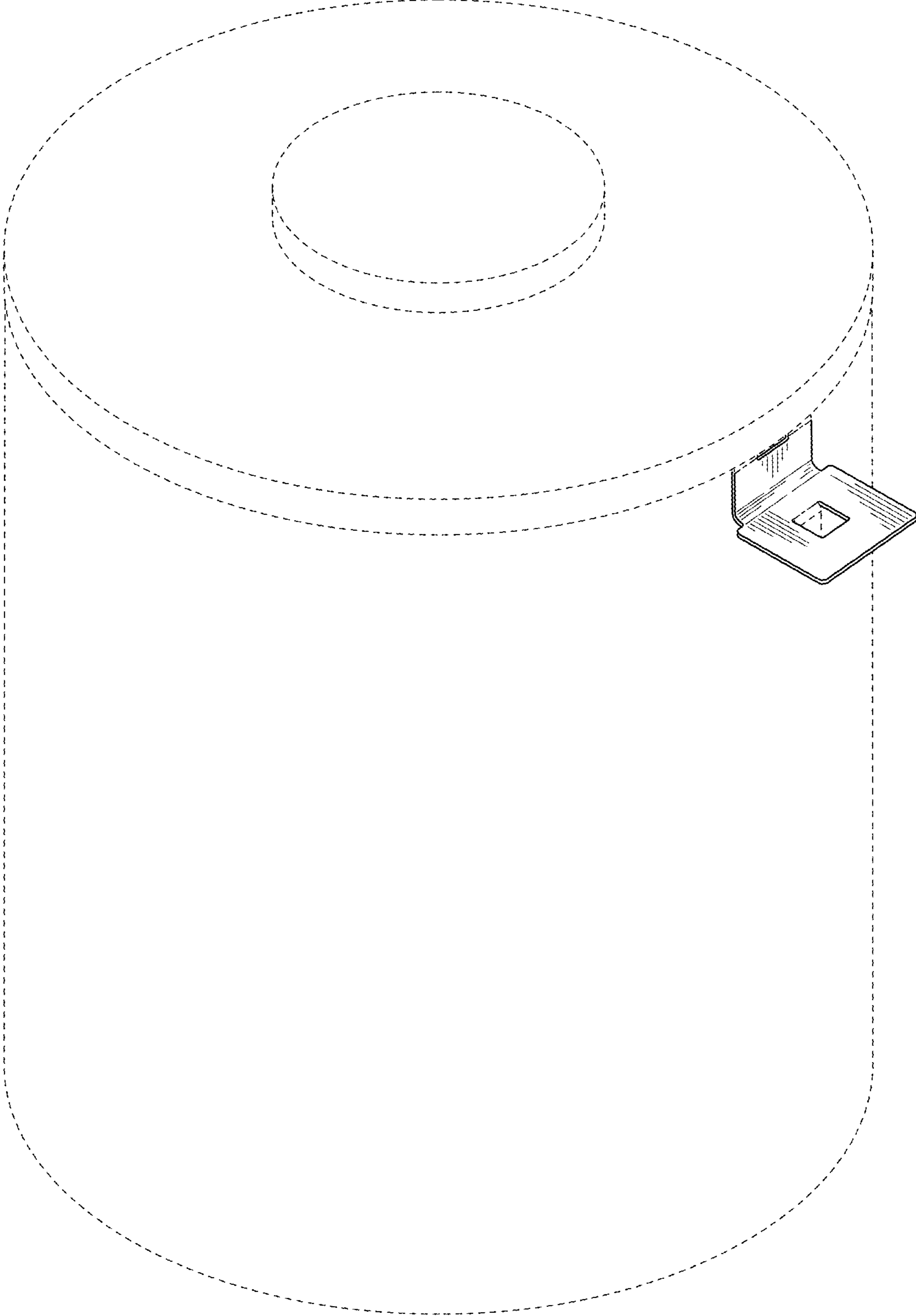


FIG. 8