



US00D918663S

(12) **United States Design Patent**
Hartley et al.

(10) **Patent No.:** **US D918,663 S**

(45) **Date of Patent:** **** May 11, 2021**

(54) **CONTAINER BASE**
(71) Applicant: **The Decor Corporation Pty. Ltd.,**
Dandenong South (AU)
(72) Inventors: **Toby Hartley,** Keysborough (AU);
George Kotsiopoulos, Keysborough
(AU); **Alexander Schoenmakers,**
Keysborough (AU); **Justin Armistead,**
Keysborough (AU)

D508,187 S * 8/2005 Dais D7/602
D584,569 S * 1/2009 Buchman D7/602
D584,925 S * 1/2009 Buchman D7/602
D660,653 S * 5/2012 Smyers D7/615
D672,617 S * 12/2012 Stamper D7/602
D673,010 S * 12/2012 Stamper D7/602
D697,798 S * 1/2014 Sorensen D9/429
D753,482 S * 4/2016 Serrano D9/428
D793,227 S * 8/2017 Maskell D9/429
D806,482 S * 1/2018 Pallotto D7/602
D807,168 S * 1/2018 Bouveret D9/425

(Continued)

(73) Assignee: **The Decor Corporation Pty. Ltd.,**
Dandenong South (AU)

Primary Examiner — Susan E Krakower

Assistant Examiner — Andrew Kerr

(**) Term: **15 Years**

(74) *Attorney, Agent, or Firm* — Stevens & Showalter
LLP

(21) Appl. No.: **29/700,062**

(57) **CLAIM**

(22) Filed: **Jul. 31, 2019**

The ornamental design for a container base, as shown and
described.

(30) **Foreign Application Priority Data**

Feb. 5, 2019 (AU) 201910578
Feb. 5, 2019 (AU) 201910580

DESCRIPTION

(51) **LOC (13) Cl.** **07-07**

(52) **U.S. Cl.**
USPC **D7/602; D7/396.6; D9/520; D9/571**

(58) **Field of Classification Search**
USPC D7/507, 509, 510, 511, 601, 602, 603,
D7/612, 630, 523, 619.1; D9/500, 503,
D9/504, 414, 424, 425, 430, 431, 516,
D9/559, 560, 575, 434, 435, 447, 520,
D9/571

FIG. 1 is a front perspective view of a first embodiment of
a container base, showing our new design;
FIG. 2 is a rear perspective view thereof from below;
FIG. 3 is a top plan view thereof;
FIG. 4 is a bottom plan view thereof;
FIG. 5 is a front elevation view thereof;
FIG. 6 is a rear elevation view thereof;
FIG. 7 is a left side elevation view thereof;
FIG. 8 is a right side elevation view thereof;
FIG. 9 is a front perspective view of a second embodiment
of a container base, showing our new design;
FIG. 10 is a rear perspective view thereof from below;
FIG. 11 is a top plan view thereof;
FIG. 12 is a bottom plan view thereof;
FIG. 13 is a front elevation view thereof;
FIG. 14 is a rear elevation view thereof;
FIG. 15 is a left side elevation view thereof; and,
FIG. 16 is a right side elevation view thereof.

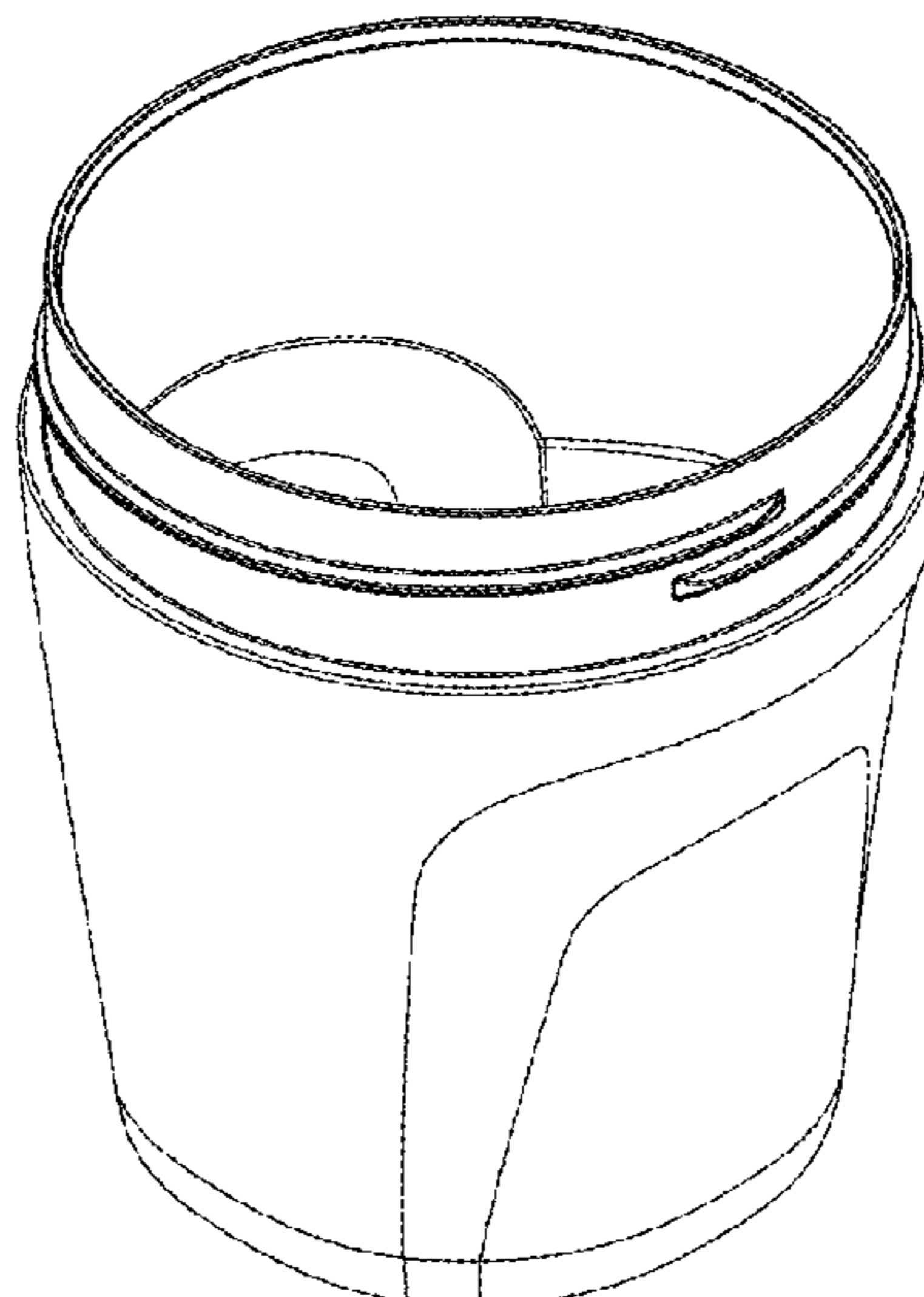
CPC A47G 19/22; A47G 19/2205; A47G 19/23;
B65D 1/00; B65D 1/26; B65D 43/16
See application file for complete search history.

(56) **References Cited**

U.S. PATENT DOCUMENTS

D282,897 S * 3/1986 Conti D22/126
D374,155 S * 10/1996 Feer D7/602
D507,937 S * 8/2005 Dais D7/602

1 Claim, 8 Drawing Sheets



(56)

References Cited

U.S. PATENT DOCUMENTS

D818,325 S *	5/2018	Ogilvie	D7/630
D859,978 S *	9/2019	Barrett	D9/428
D861,480 S *	10/2019	Barrett	D9/428
D861,481 S *	10/2019	Barrett	D9/428
2006/0051463 A1 *	3/2006	Lopez-Garcia	B65D 81/3216 426/120

* cited by examiner

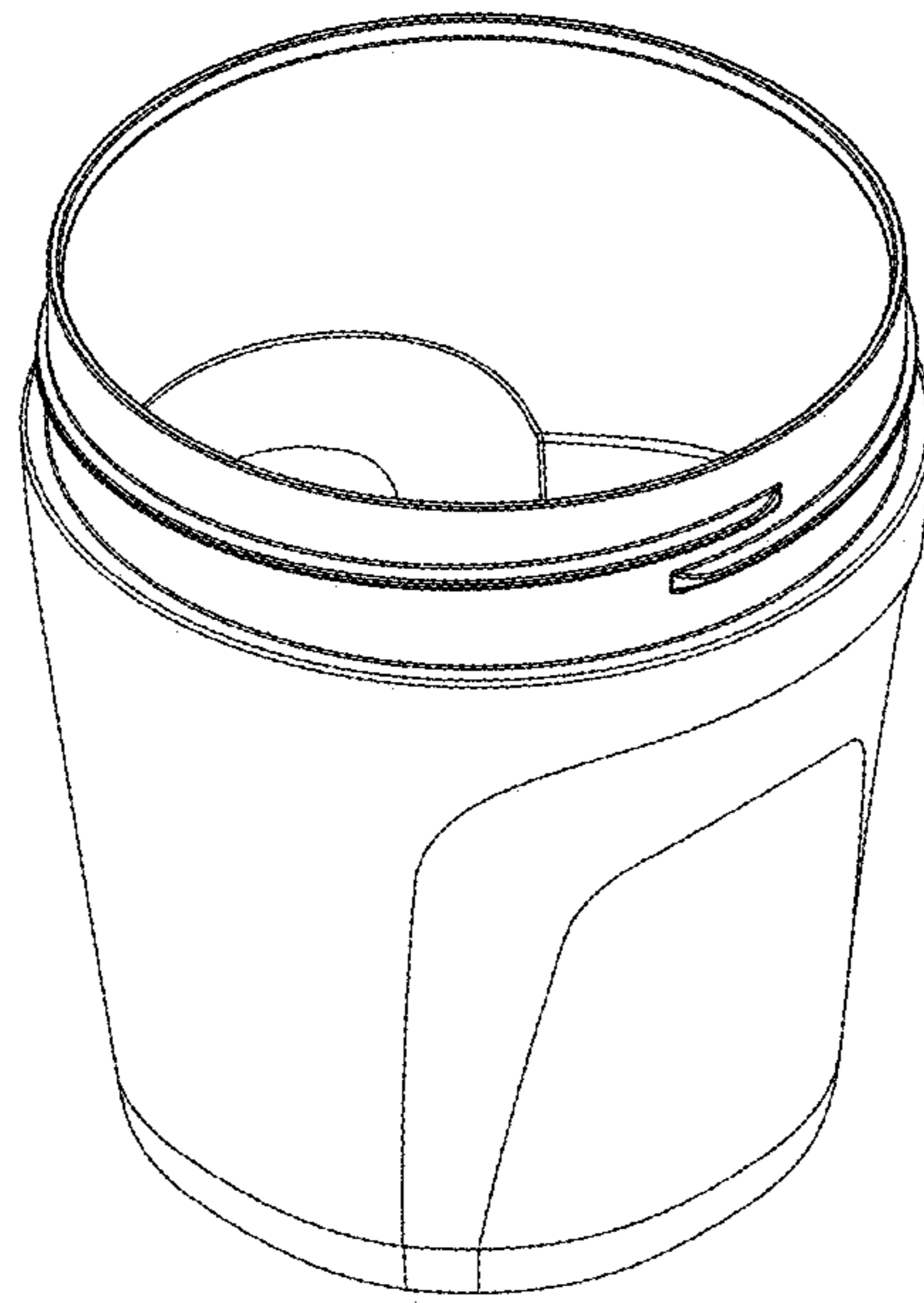


Figure 1

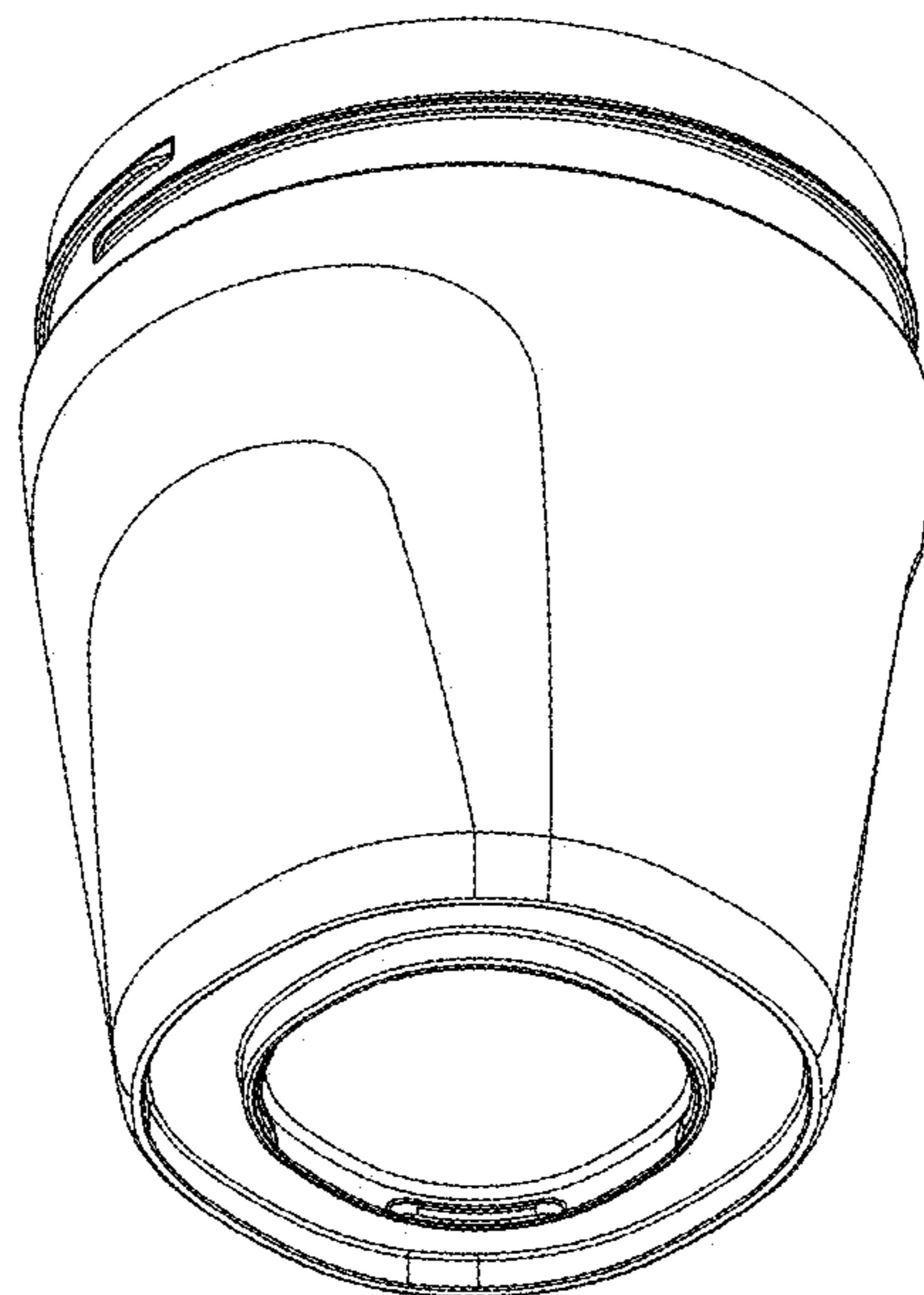


Figure 2

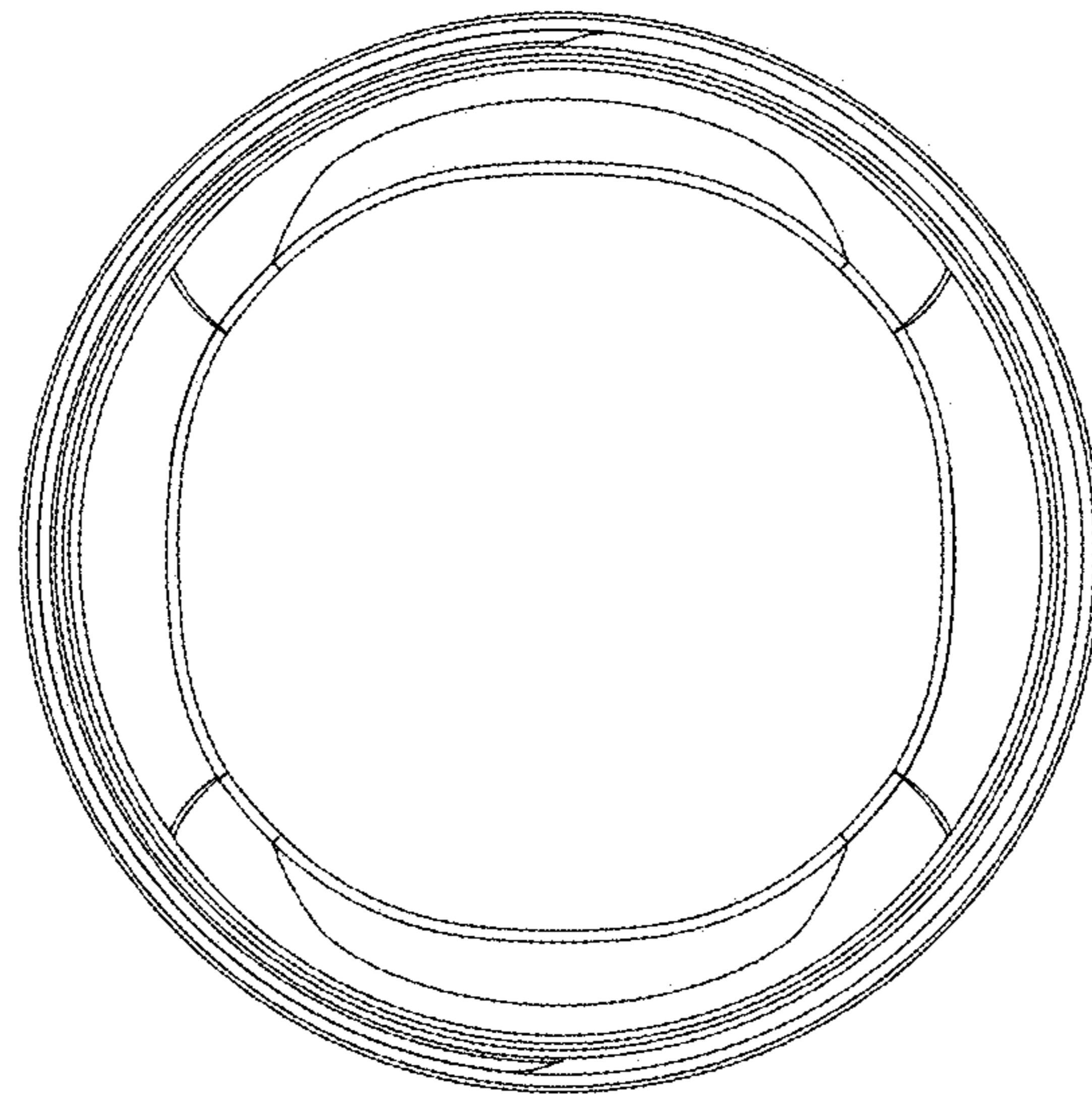


Figure 3

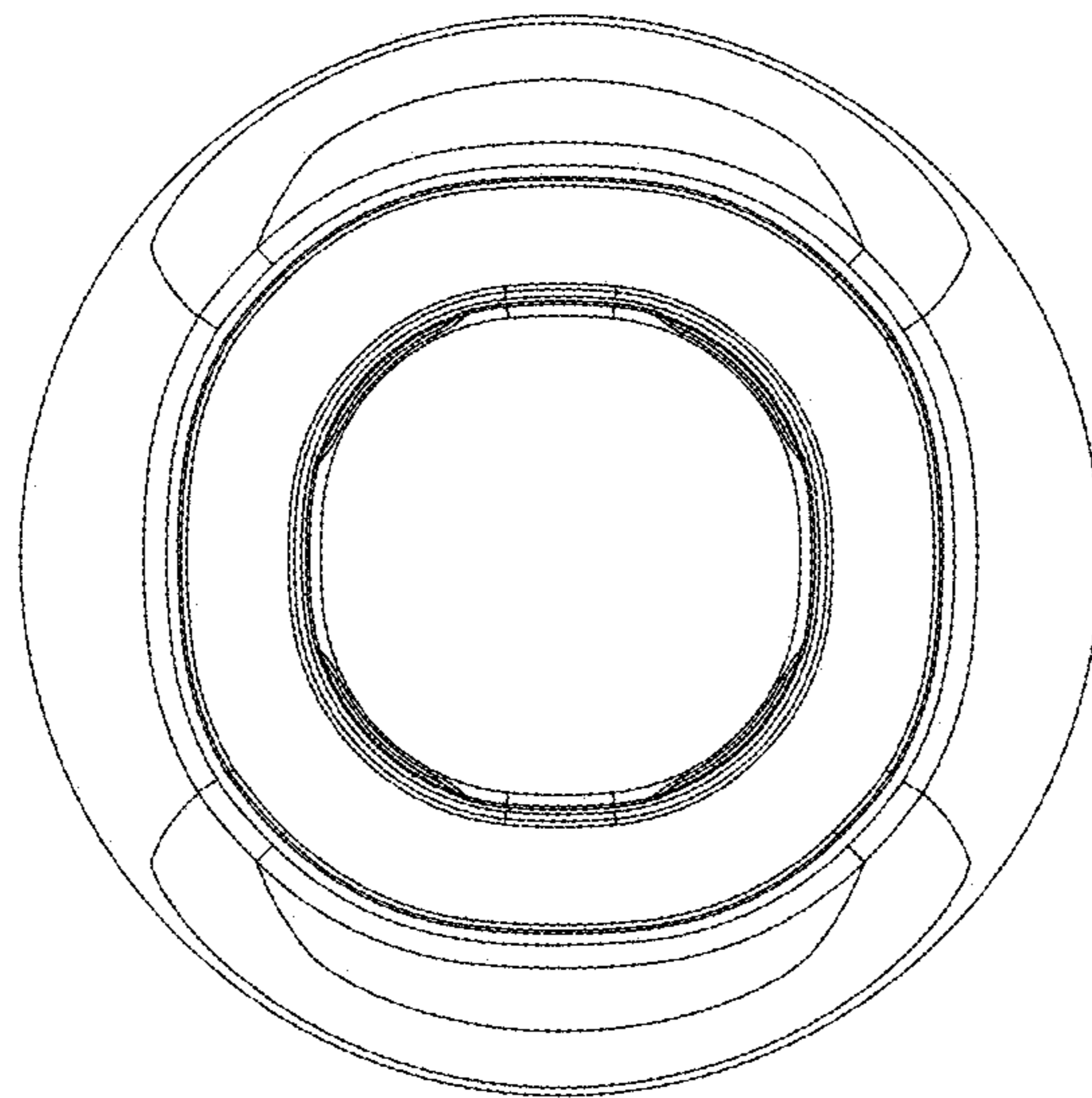


Figure 4

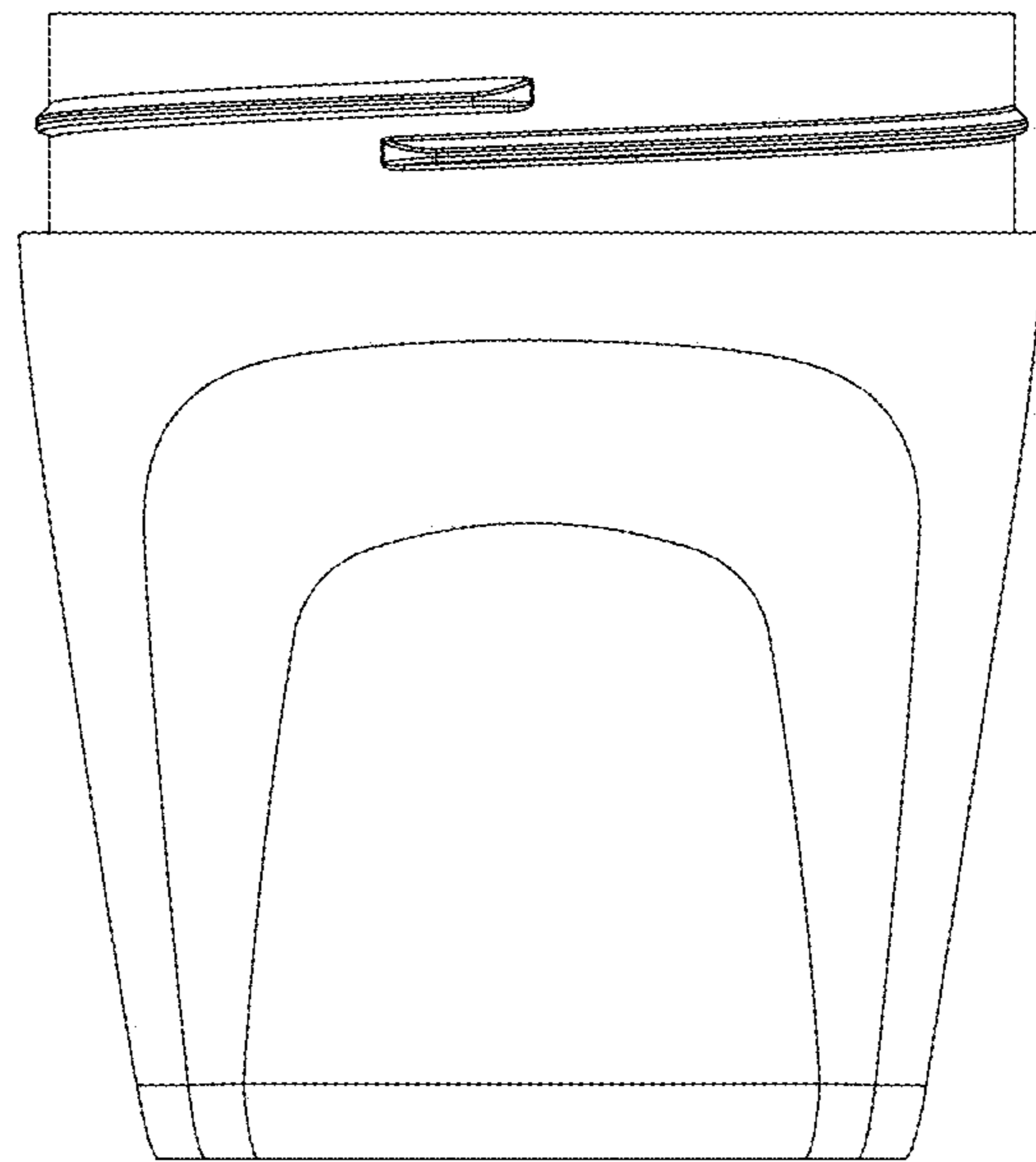


Figure 5

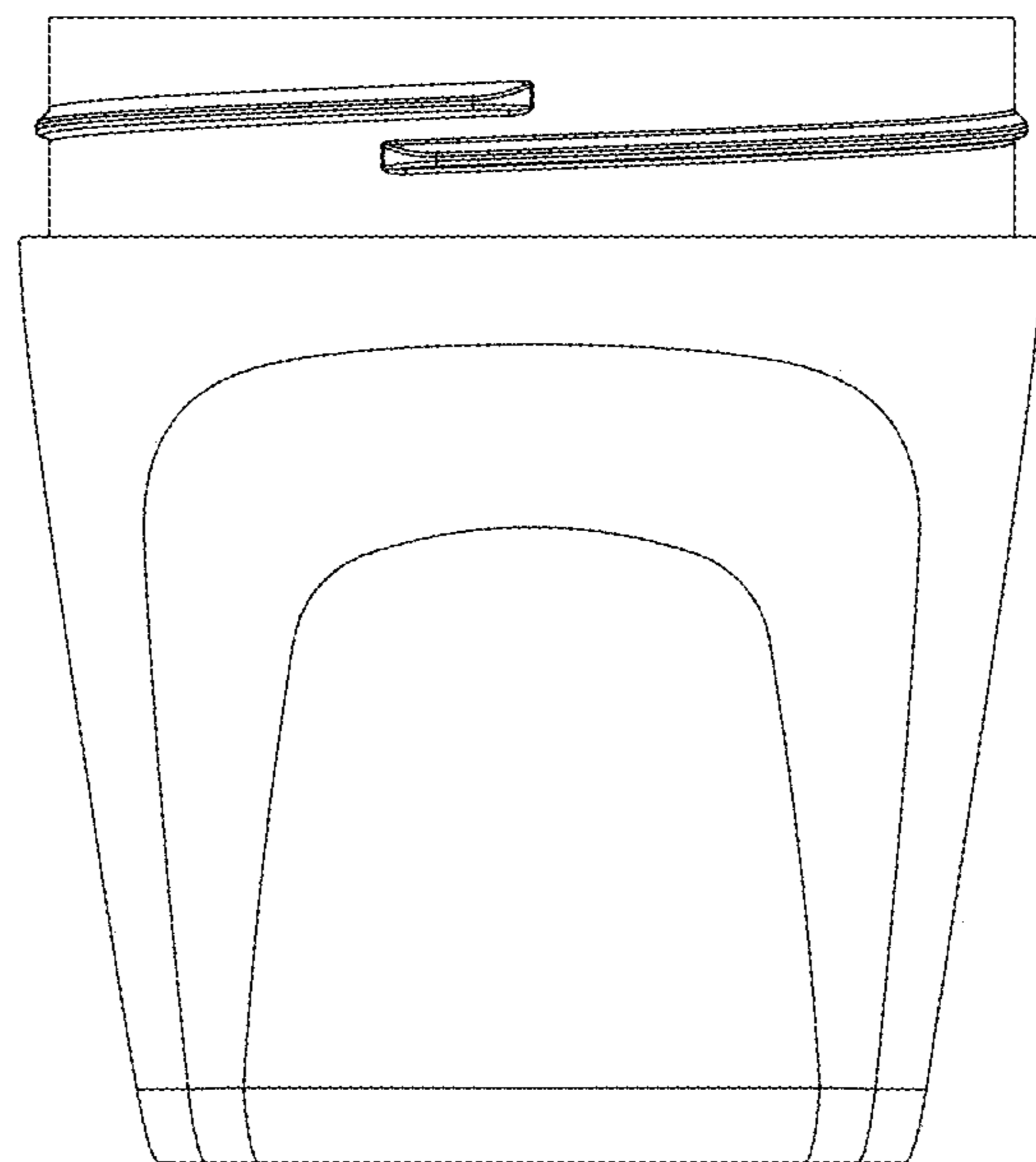


Figure 6

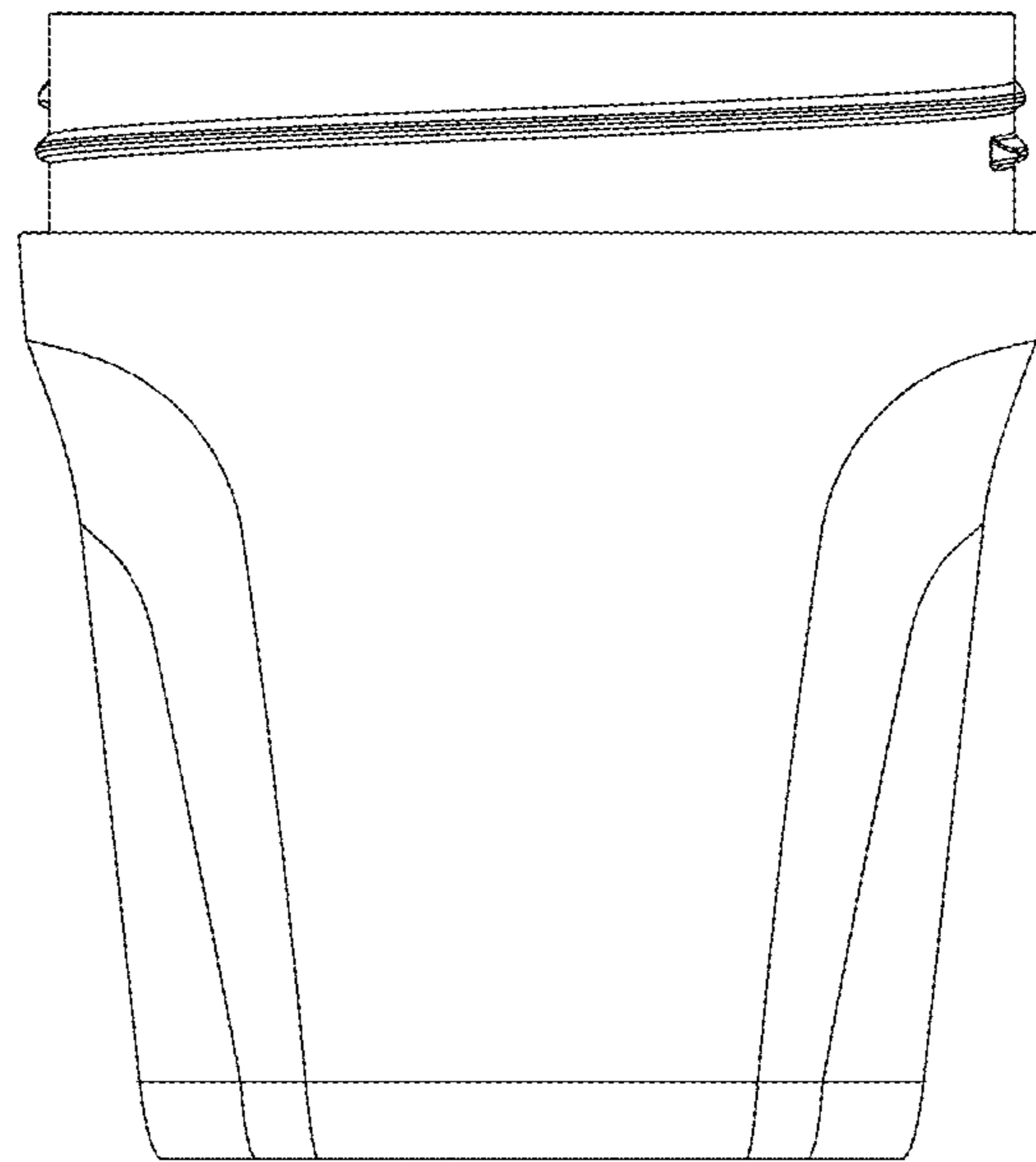


Figure 7

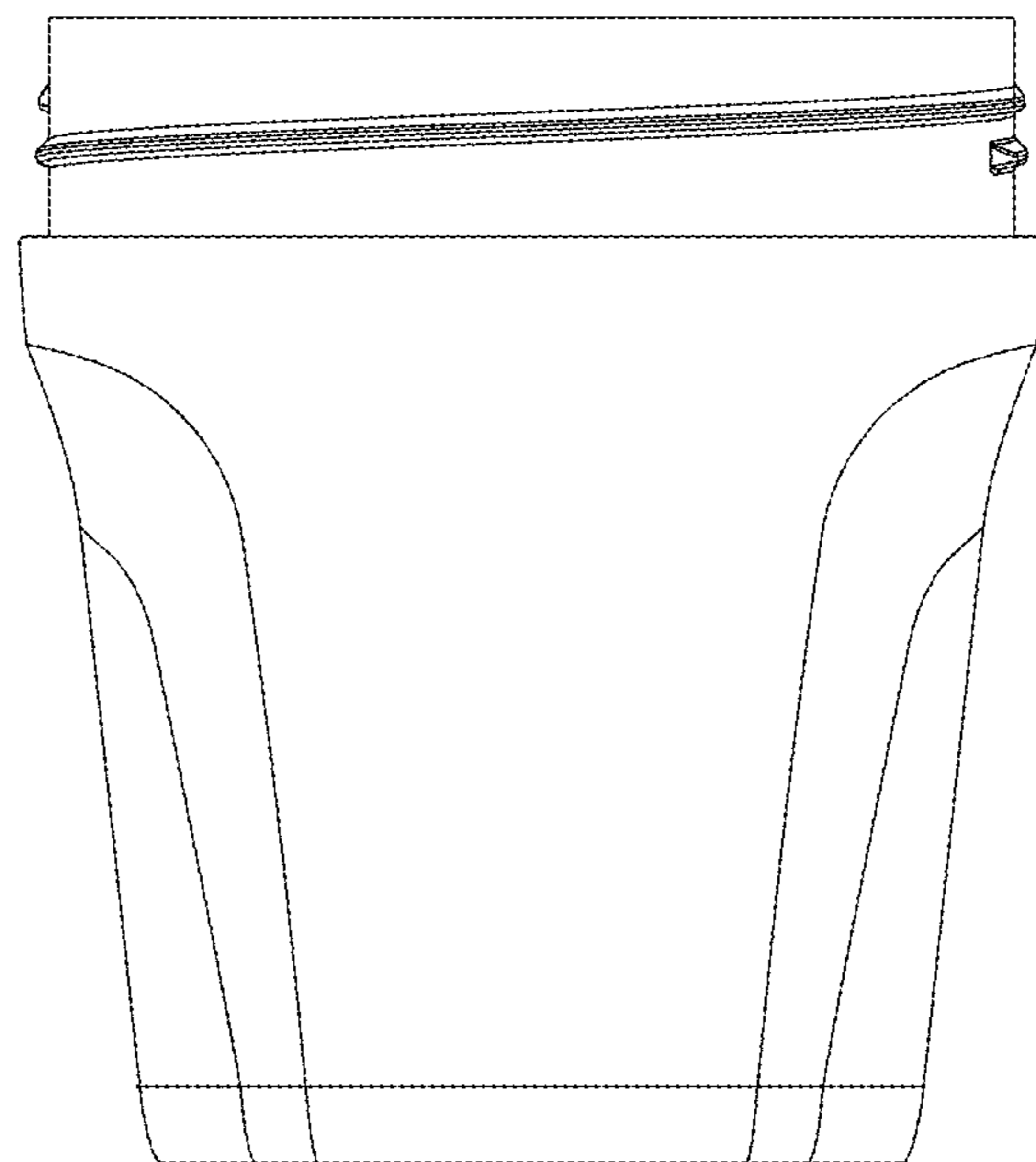


Figure 8

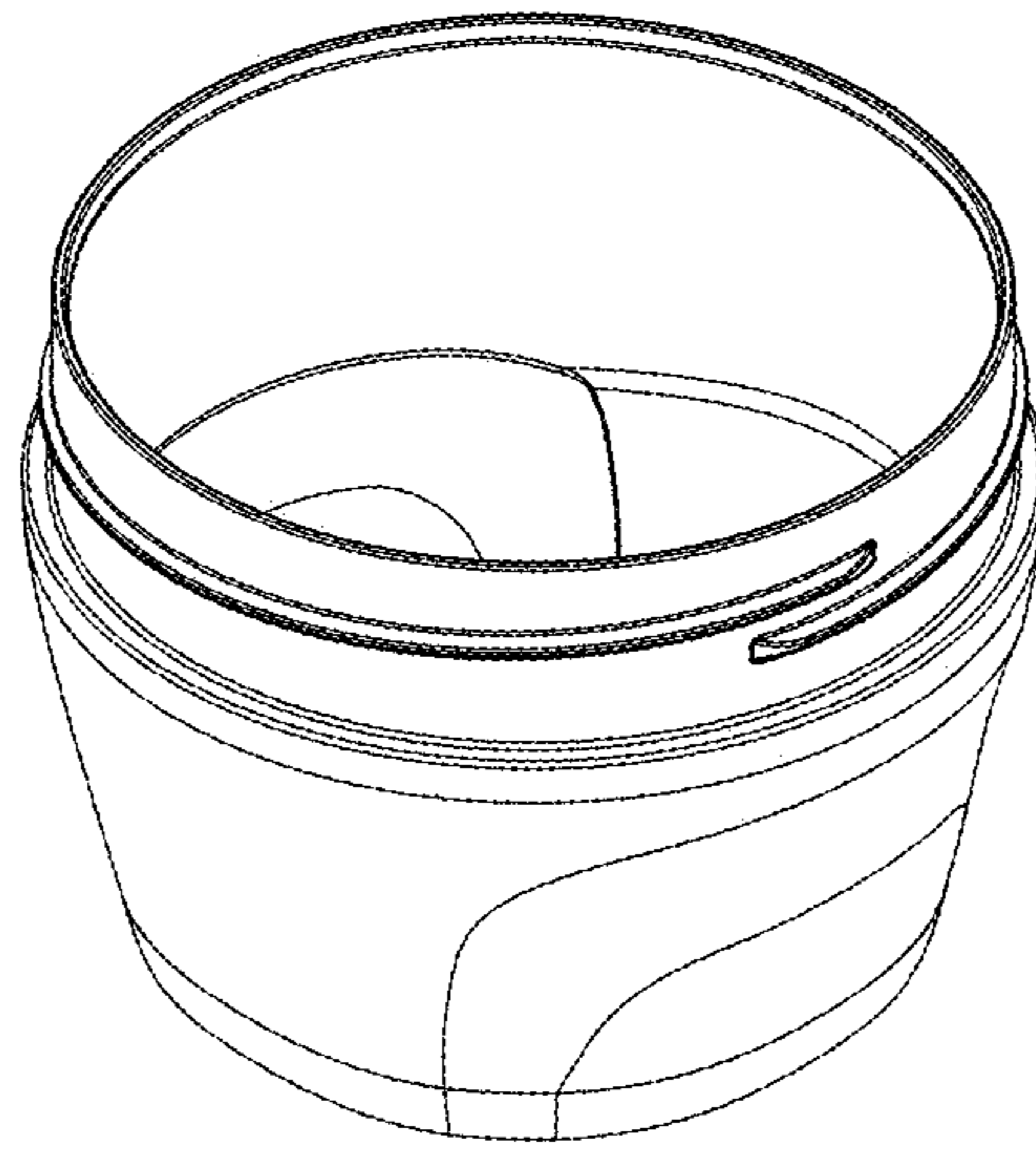


Figure 9

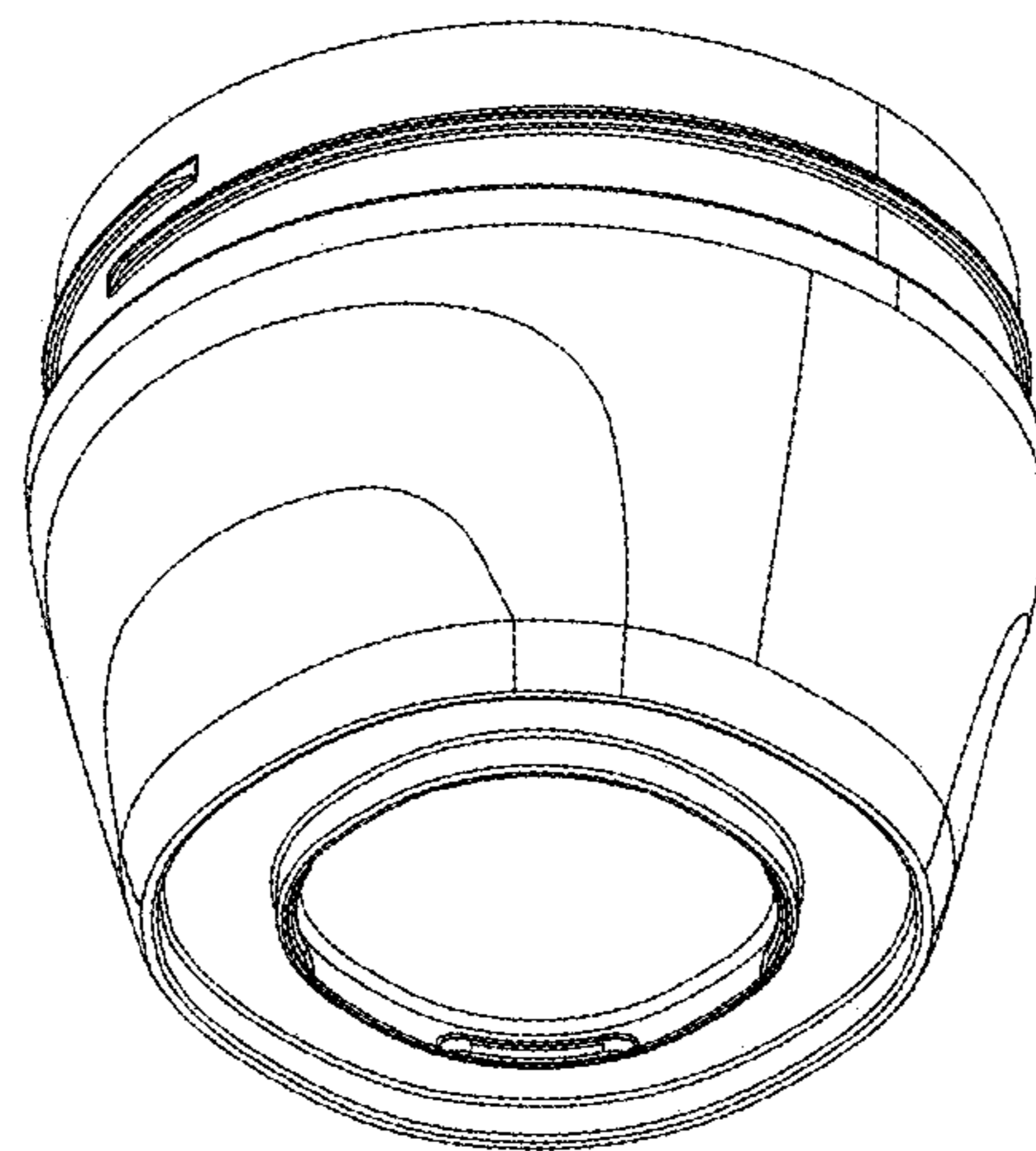


Figure 10

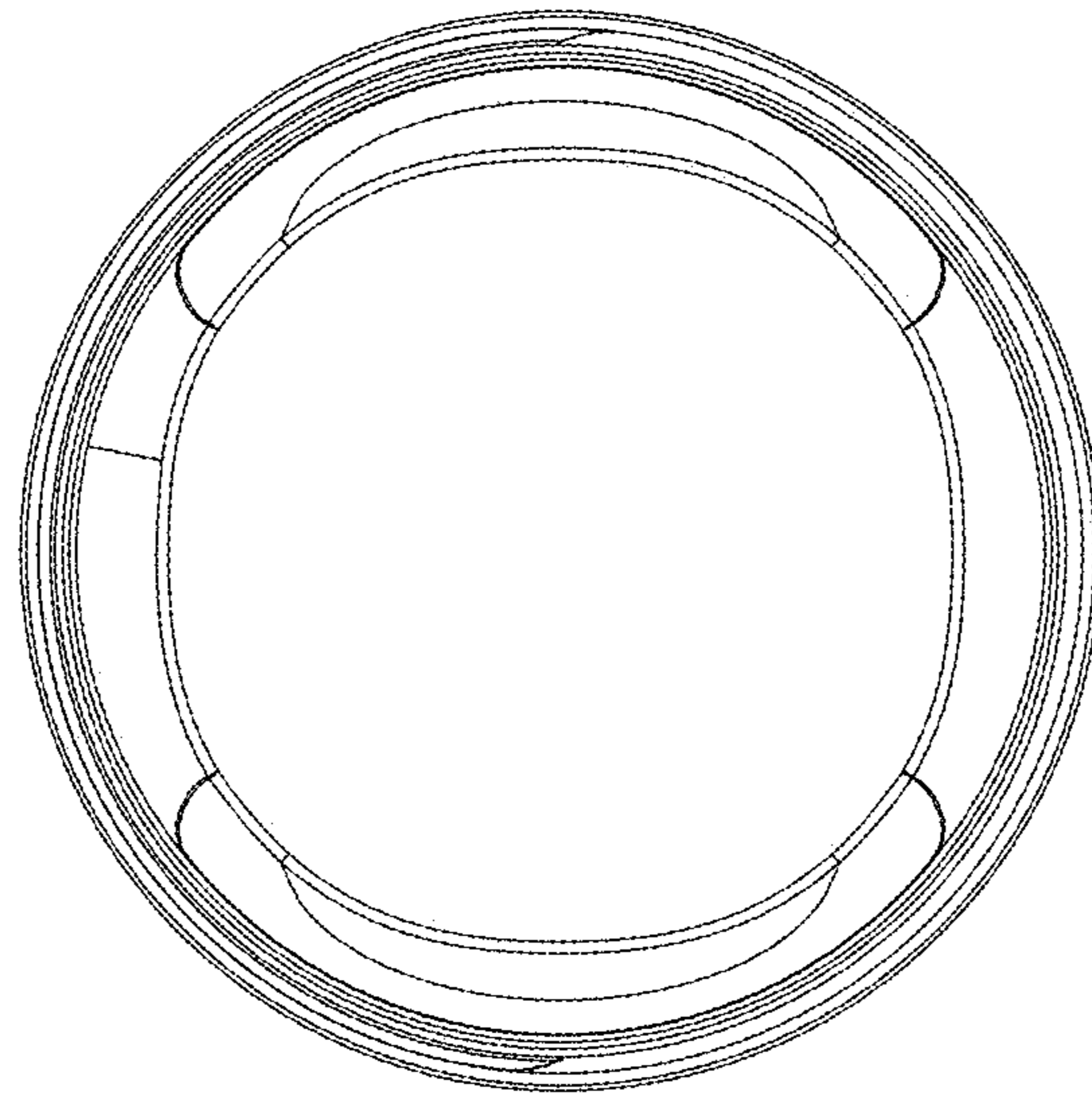


Figure 11

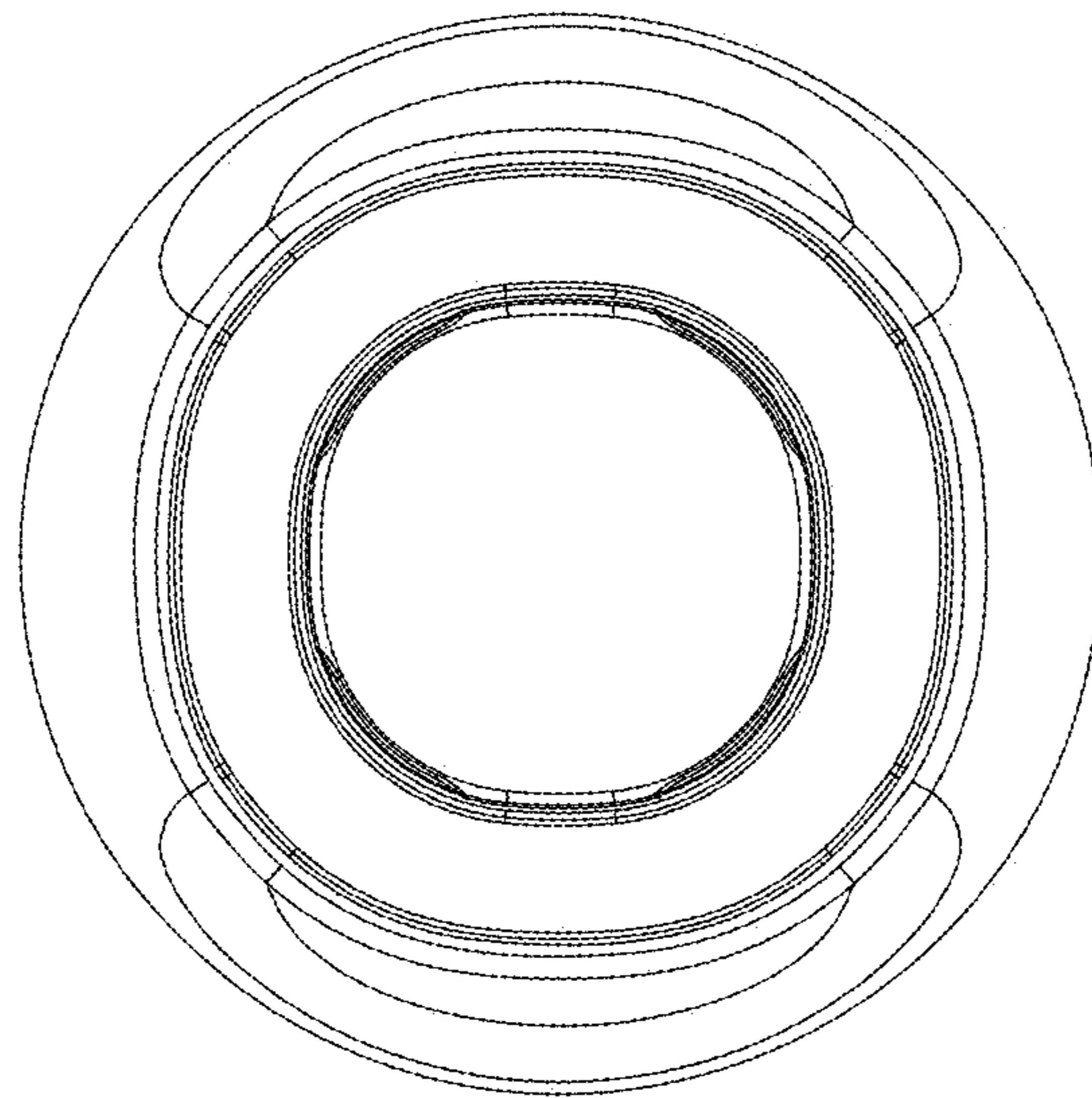


Figure 12

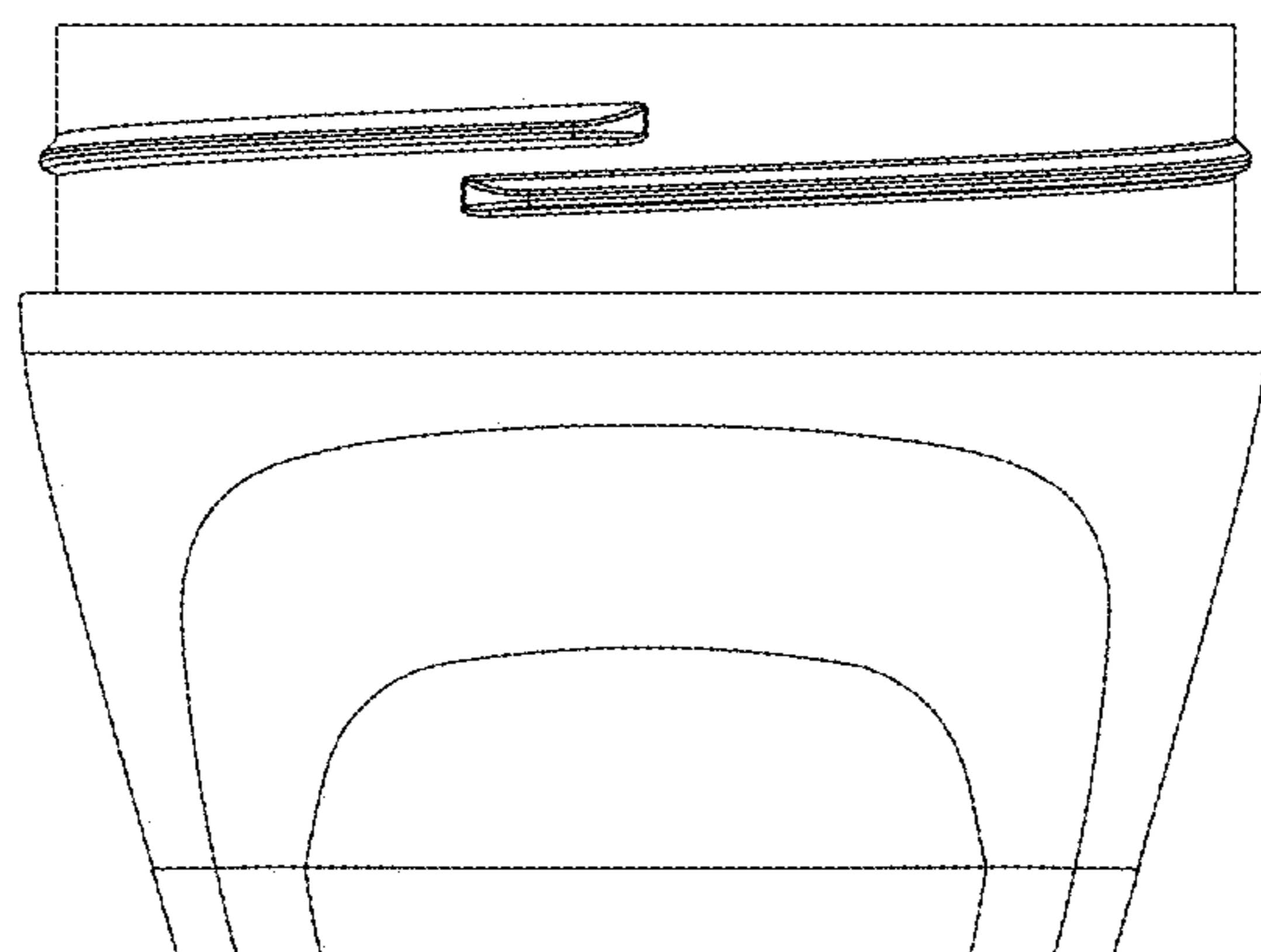


Figure 13

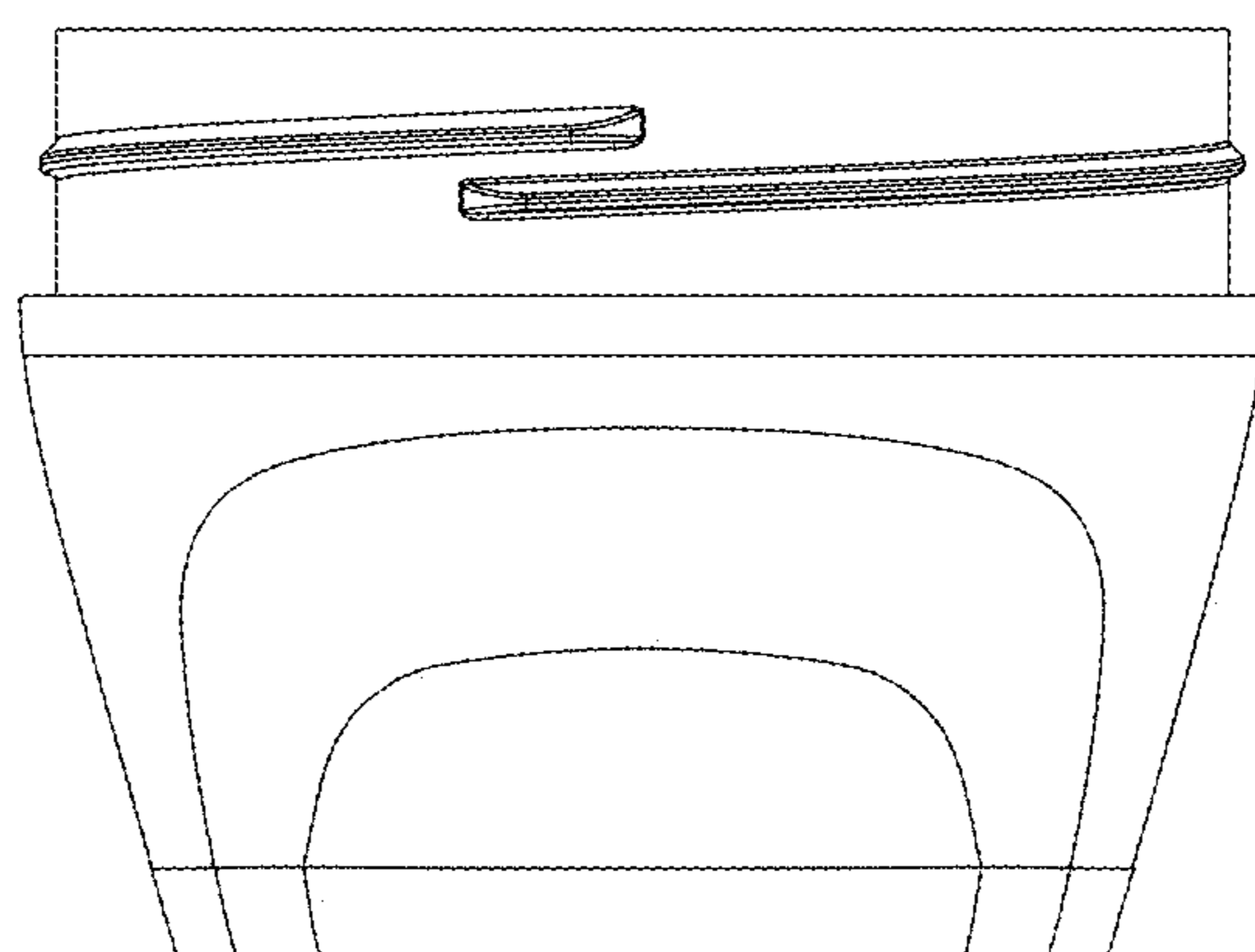


Figure 14

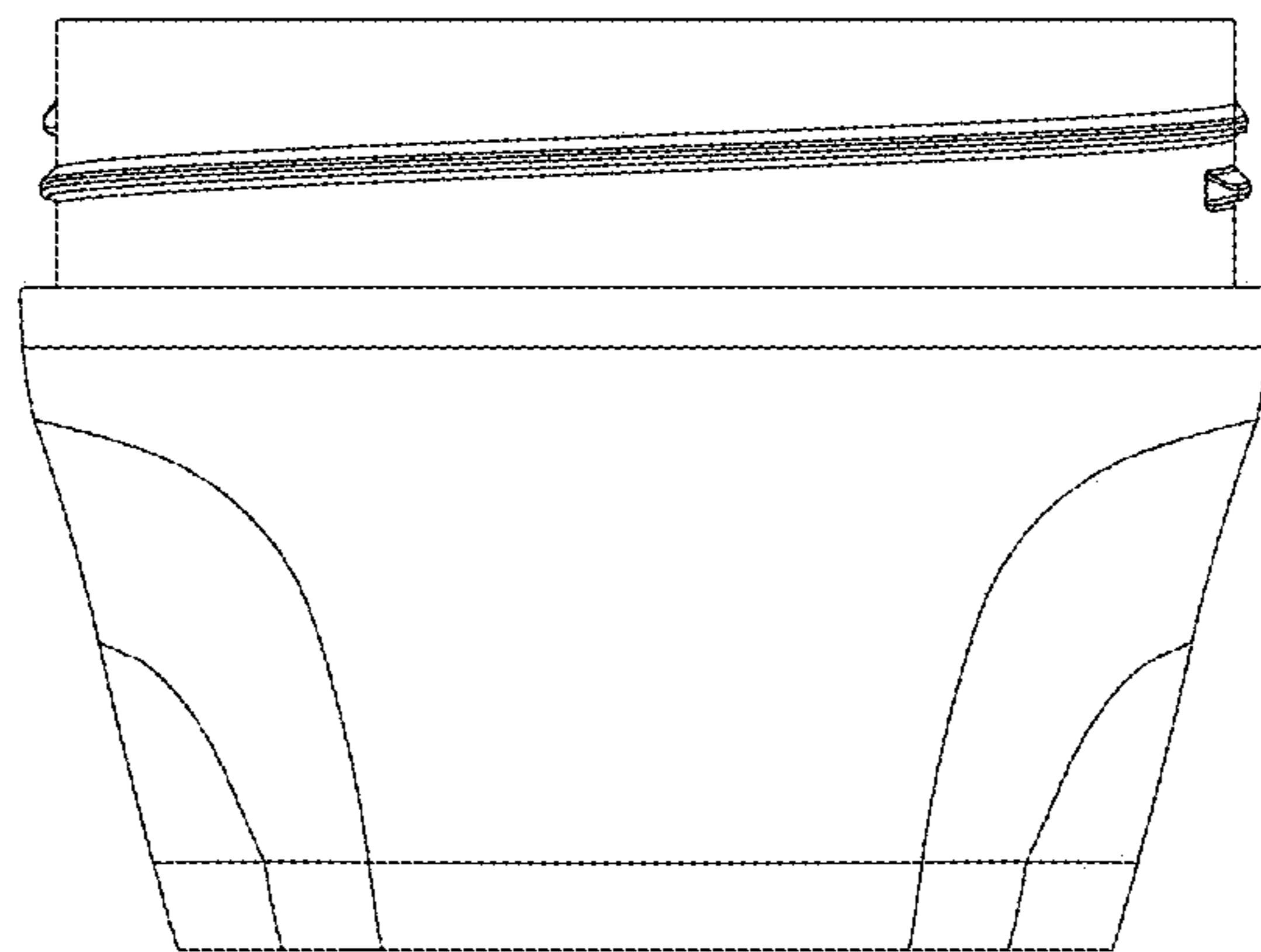


Figure 15

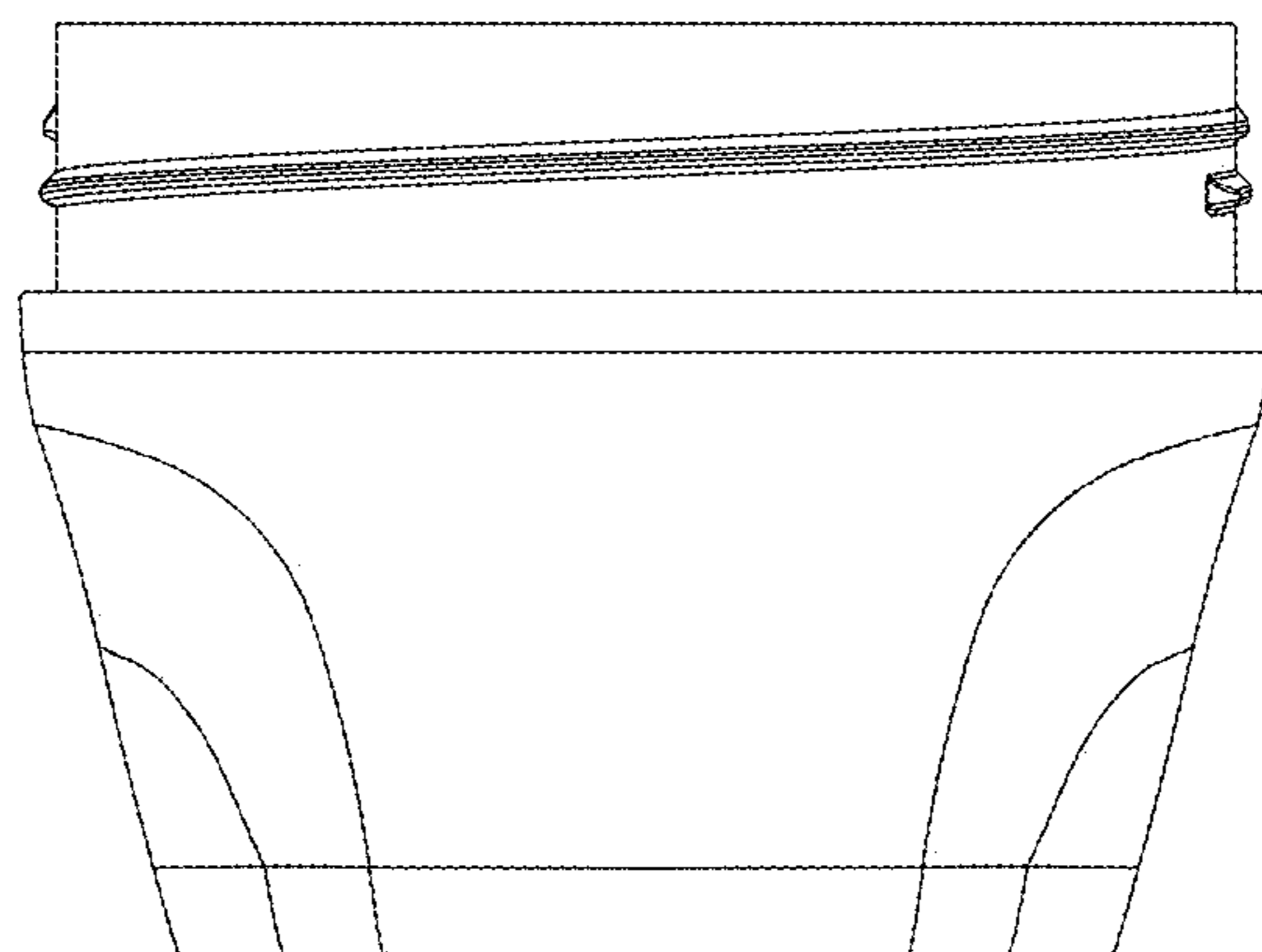


Figure 16