



US00D918662S

(12) **United States Design Patent** (10) **Patent No.:** **US D918,662 S**
Duffey et al. (45) **Date of Patent:** **** May 11, 2021**

(54) **CHILD FEEDING PLATE**
(71) Applicant: **Kizingo**
(72) Inventors: **Kiyah Jo Duffey**, Blacksburg, VA (US);
Timothy David Baird, Blacksburg, VA
(US); **Alex Barrette**, Richmond, VA
(US); **Daniel Martin**, Naugatuck, CT
(US)
(**) Term: **15 Years**
(21) Appl. No.: **29/686,921**
(22) Filed: **Apr. 9, 2019**
(51) **LOC (13) Cl.** **07-01**
(52) **U.S. Cl.**
USPC **D7/584**
(58) **Field of Classification Search**
USPC D7/500, 587, 565, 584; D30/130
CPC A47G 19/025; A47G 19/02
See application file for complete search history.

(56) **References Cited**

U.S. PATENT DOCUMENTS

1,272,996 A * 7/1918 Poschadel A47G 19/02
220/575
D52,278 S * 8/1918 Kraus D7/555
D89,791 S * 5/1933 Pittman D7/555
D168,283 S * 12/1952 Adams D7/555
D304,658 S * 11/1989 Mattei D7/505
D305,846 S * 2/1990 Griffith D7/505
D367,587 S * 3/1996 Perlmutter D7/553.3
D390,419 S * 2/1998 Perlmutter D7/549
D433,283 S * 11/2000 Thomas D7/546
D461,101 S * 8/2002 Garbo D7/545
D473,758 S * 4/2003 Wilson D7/587
D511,273 S * 11/2005 Hadelar D7/553.6
D527,951 S * 9/2006 Roth D7/540
D527,952 S * 9/2006 Roth D7/540
D527,954 S * 9/2006 Roth D7/557

D563,728 S * 3/2008 Welch, III D7/500
7,478,588 B2 * 1/2009 Miller A47J 37/01
99/426
7,637,388 B2 * 12/2009 Schantz A47G 19/02
220/574
D633,340 S * 3/2011 Roberts D7/549
D641,211 S * 7/2011 Olivari D7/587
D641,212 S * 7/2011 Olivari D7/587
D660,651 S * 5/2012 Peters D7/587
D745,326 S * 12/2015 Klar D7/555
D745,807 S * 12/2015 Harris D7/553.2
9,204,743 B2 * 12/2015 Sirota A47G 19/08
D787,889 S * 5/2017 Patel D7/553.2
D830,646 S * 10/2018 Kerr D30/129
D841,402 S * 2/2019 Price D7/584
D878,154 S * 3/2020 Kim D7/505
D891,005 S * 7/2020 Liu D30/129
D891,924 S * 8/2020 Mitchell D9/454
D913,752 S * 3/2021 Zalewski D7/587
2002/0112614 A1 * 8/2002 Zoss A21D 10/025
99/426
2006/0266748 A1 * 11/2006 Crawford A47G 19/065
220/23.8

(Continued)

Primary Examiner — Cynthia R Underwood
(74) *Attorney, Agent, or Firm* — Williams Intellectual
Property; Benjamin F. Williams

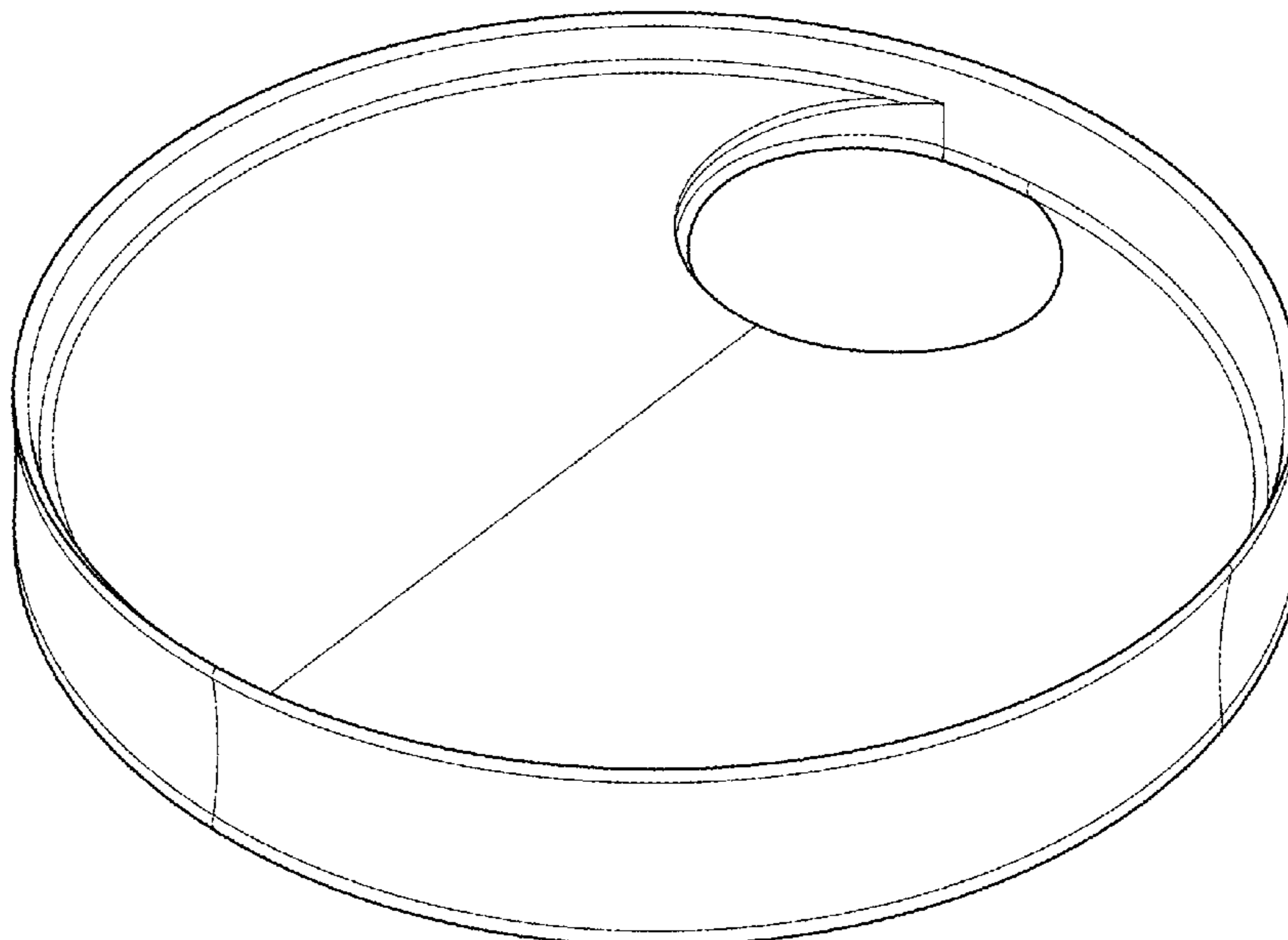
(57) **CLAIM**

The ornamental design for a child feeding plate, as shown
and described.

DESCRIPTION

FIG. 1 is an elevation view of the child feeding plate;
FIG. 2 is a front elevation view;
FIG. 3 is rear elevation view;
FIG. 4 is a left side elevation view;
FIG. 5 is a right side elevation view;
FIG. 6 is a top elevation view; and,
FIG. 7 is a bottom elevation view.

1 Claim, 5 Drawing Sheets



(56)

References Cited

U.S. PATENT DOCUMENTS

2016/0073805 A1* 3/2016 Laurain A47G 19/10
220/575
2016/0338517 A1* 11/2016 Snowden A47D 1/0085

* cited by examiner

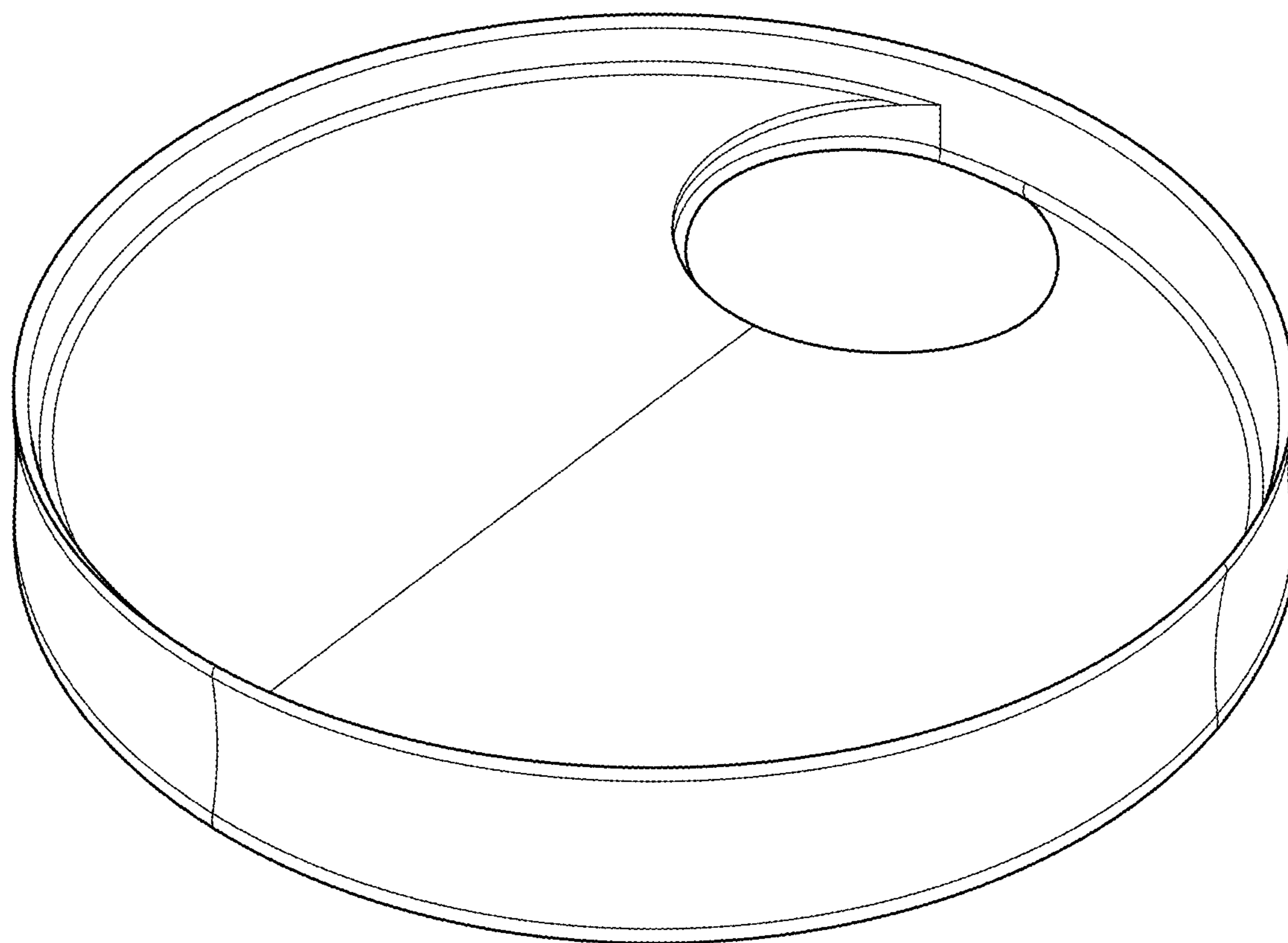


FIG. 1

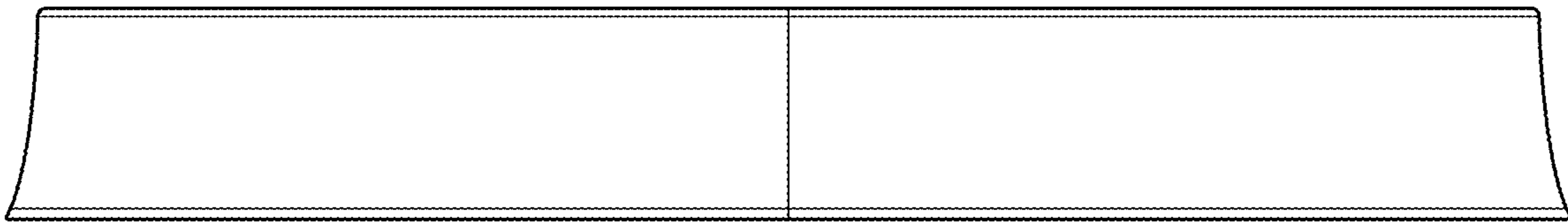


FIG. 2

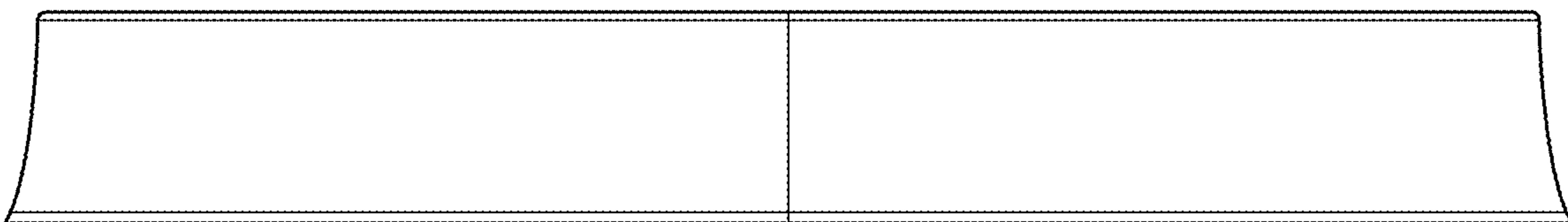


FIG. 3

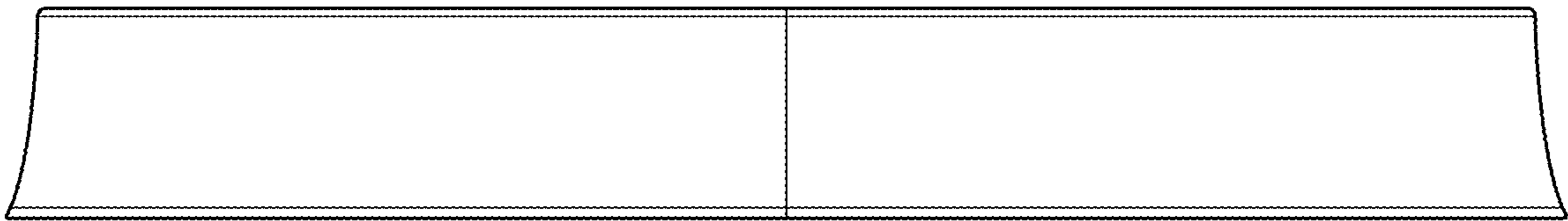


FIG. 4

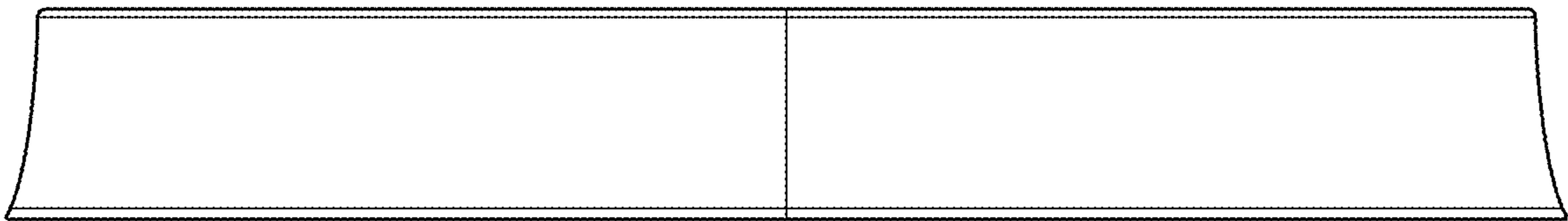


FIG. 5

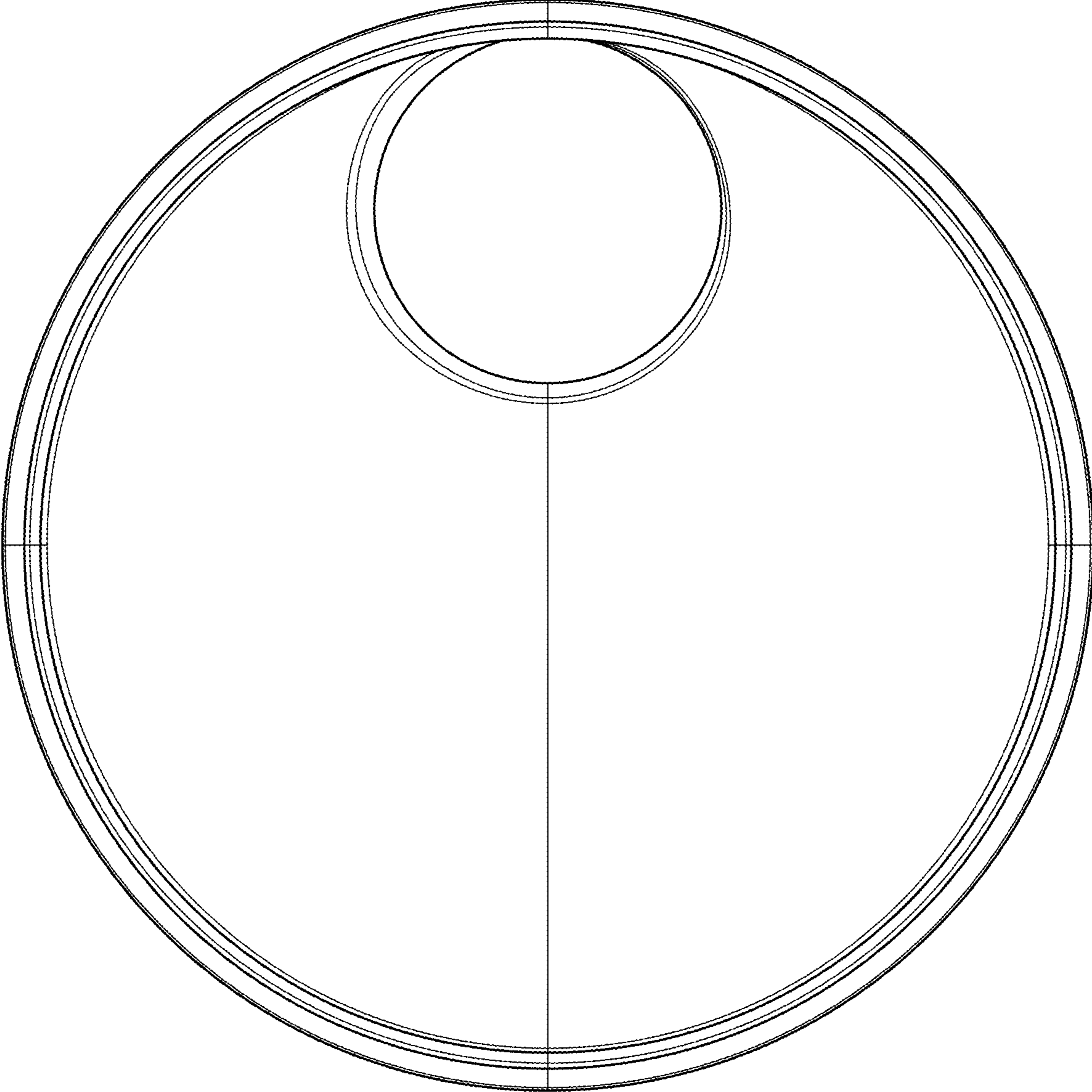


FIG. 6

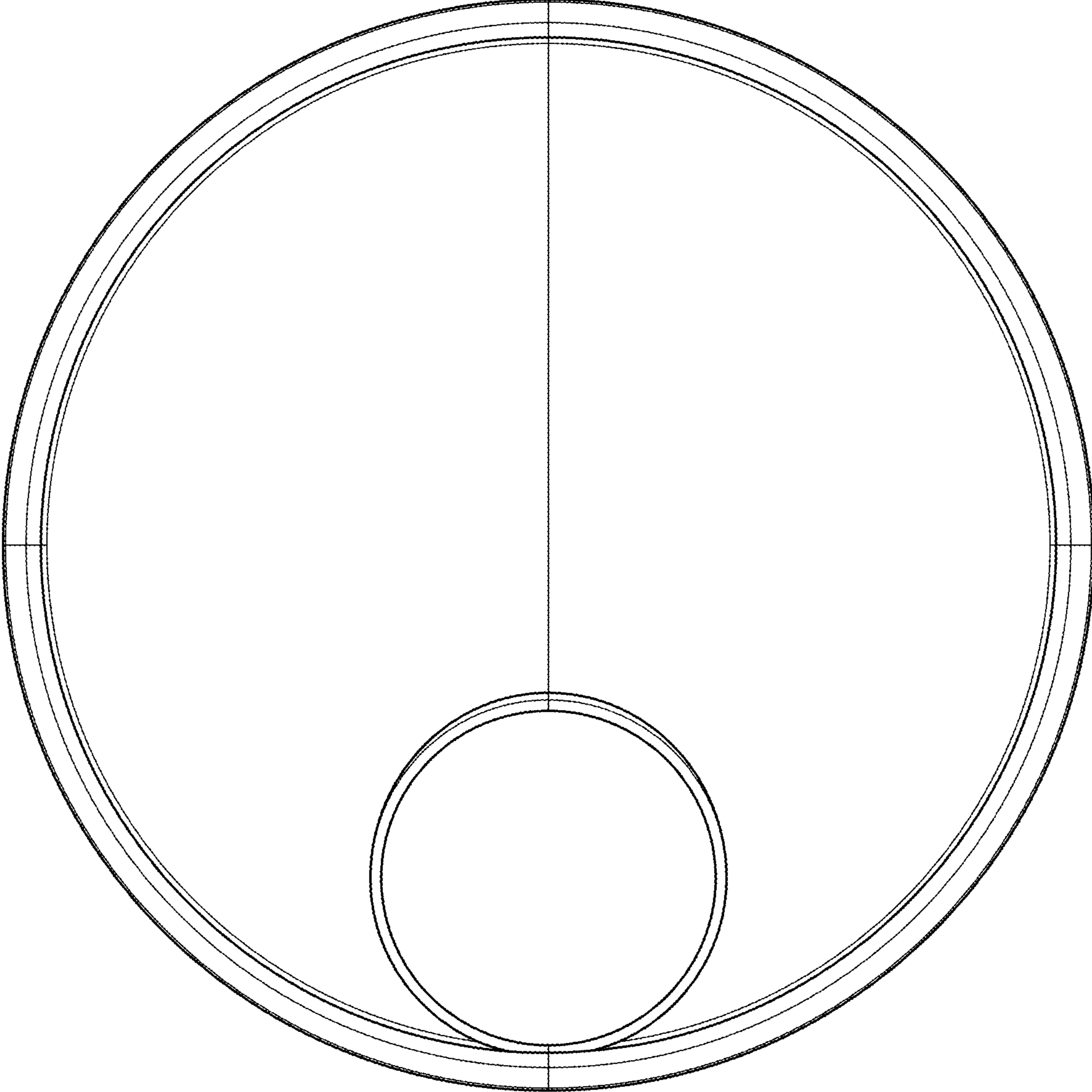


FIG. 7