



US00D918660S

(12) **United States Design Patent** (10) **Patent No.:** **US D918,660 S**  
**Cui** (45) **Date of Patent:** **\*\* May 11, 2021**

(54) **WATER BOTTLE**

(71) Applicant: **ShenZhen Yuan Feng Xing Ye Technology Co. LTD, Shenzhen (CN)**

(72) Inventor: **Delin Cui, Shenzhen (CN)**

(\*\*) Term: **15 Years**

(21) Appl. No.: **29/696,488**

(22) Filed: **Jun. 28, 2019**

(51) **LOC (13) Cl.** ..... **07-01**

(52) **U.S. Cl.**  
USPC ..... **D7/532; D7/512; D7/511**

(58) **Field of Classification Search**  
USPC ..... D7/507, 509, 510, 511, 523, 532, 533, D7/536, 608, 601, 602, 392.1, 396.2, 512, D7/708.1, 619.1, 622, 633; D9/503, 504; D24/197, 199; D3/202  
CPC ..... A47G 19/22; A47G 19/2288; A47G 19/2205; A47G 2019/2277; A45F 3/20; A47J 41/02

See application file for complete search history.

(56) **References Cited**

**U.S. PATENT DOCUMENTS**

D219,301 S *	11/1970	Kazaz	.....	D7/622
3,939,888 A *	2/1976	Scarnato	.....	B65D 1/0292
				220/666
D658,008 S *	4/2012	Wahl	.....	D7/510
D777,520 S *	1/2017	Singlaub	.....	D7/532
D801,111 S *	10/2017	Eyal	.....	D7/392.1
D806,477 S *	1/2018	Wray	.....	D7/511
D810,512 S *	2/2018	Wu	.....	D7/512
D817,085 S *	5/2018	Davis	.....	D7/392.1

D858,181 S *	9/2019	Lown	.....	D7/392.1
D860,729 S *	9/2019	Shen	.....	D7/512
D870,509 S *	12/2019	Bo	.....	D7/392.1
2012/0152885 A1 *	6/2012	Munoz	.....	B65D 1/0292
				215/382
2012/0227860 A1 *	9/2012	Jeremiah	.....	B65D 1/0292
				141/1
2013/0277364 A1 *	10/2013	Kusuma	.....	A45F 3/20
				220/8
2017/0008670 A1 *	1/2017	Wu	.....	A47G 19/2205

**OTHER PUBLICATIONS**

<https://www.orbit.com/?locale=en&ticket=f04ed089-49d3-47f2-93d4-93be79e849b9&embedded=false#DesignFullPage> (Year: 1999).\*

\* cited by examiner

*Primary Examiner* — Jae Liang  
(74) *Attorney, Agent, or Firm* — W&K IP

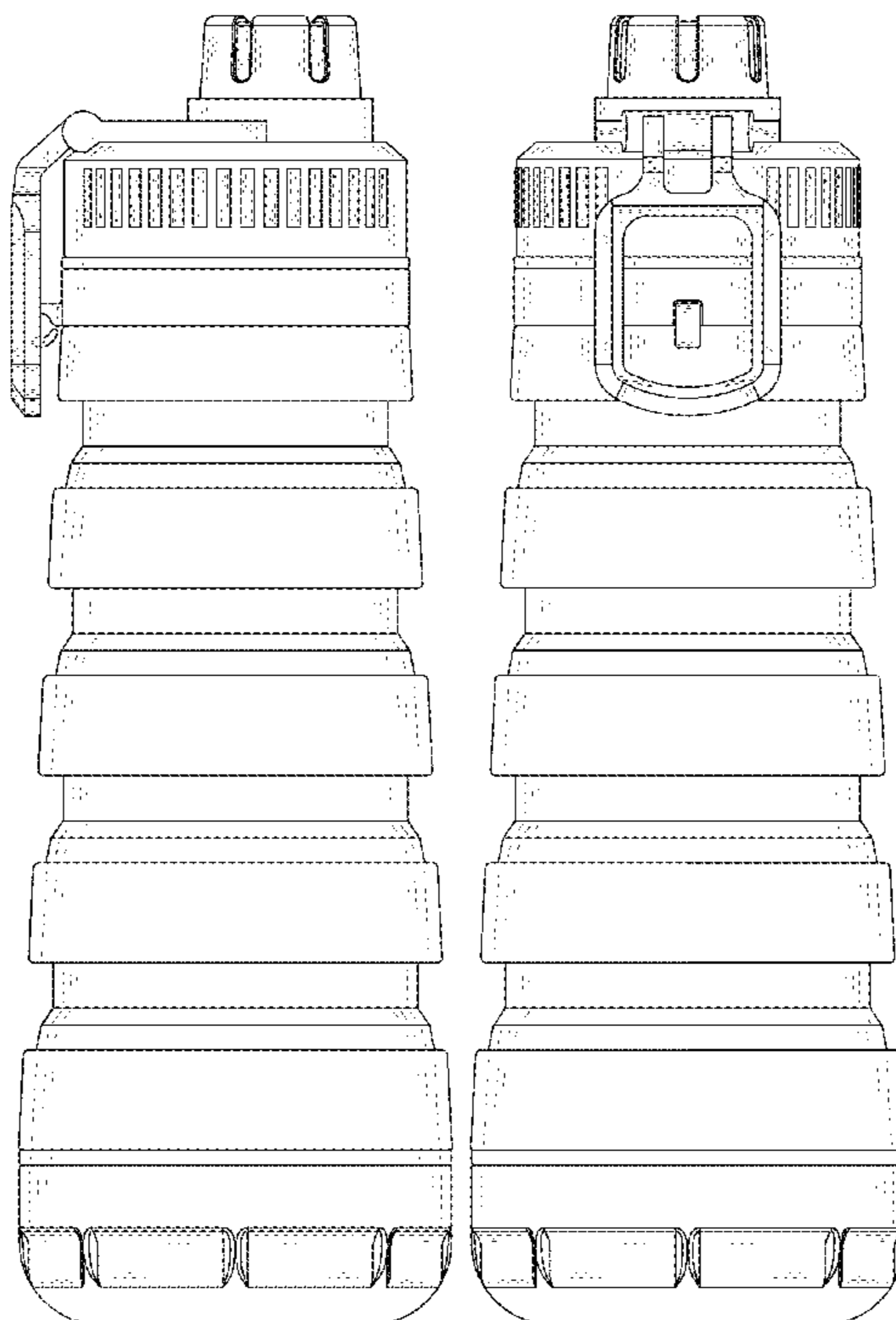
(57) **CLAIM**

The ornamental design for a water bottle, as shown and described.

**DESCRIPTION**

FIG. 1 is a perspective view of a water bottle; FIG. 2 is a front elevational view thereof; FIG. 3 is a rear elevational view thereof; FIG. 4 is a left elevational view thereof; FIG. 5 is a right elevational view thereof; FIG. 6 is a top plan view thereof; and, FIG. 7 is a bottom plan view thereof. The dashed or broken lines shown in the drawings depict portions of the water bottle in which the design is embodied that form no part of the claimed design.

**1 Claim, 7 Drawing Sheets**



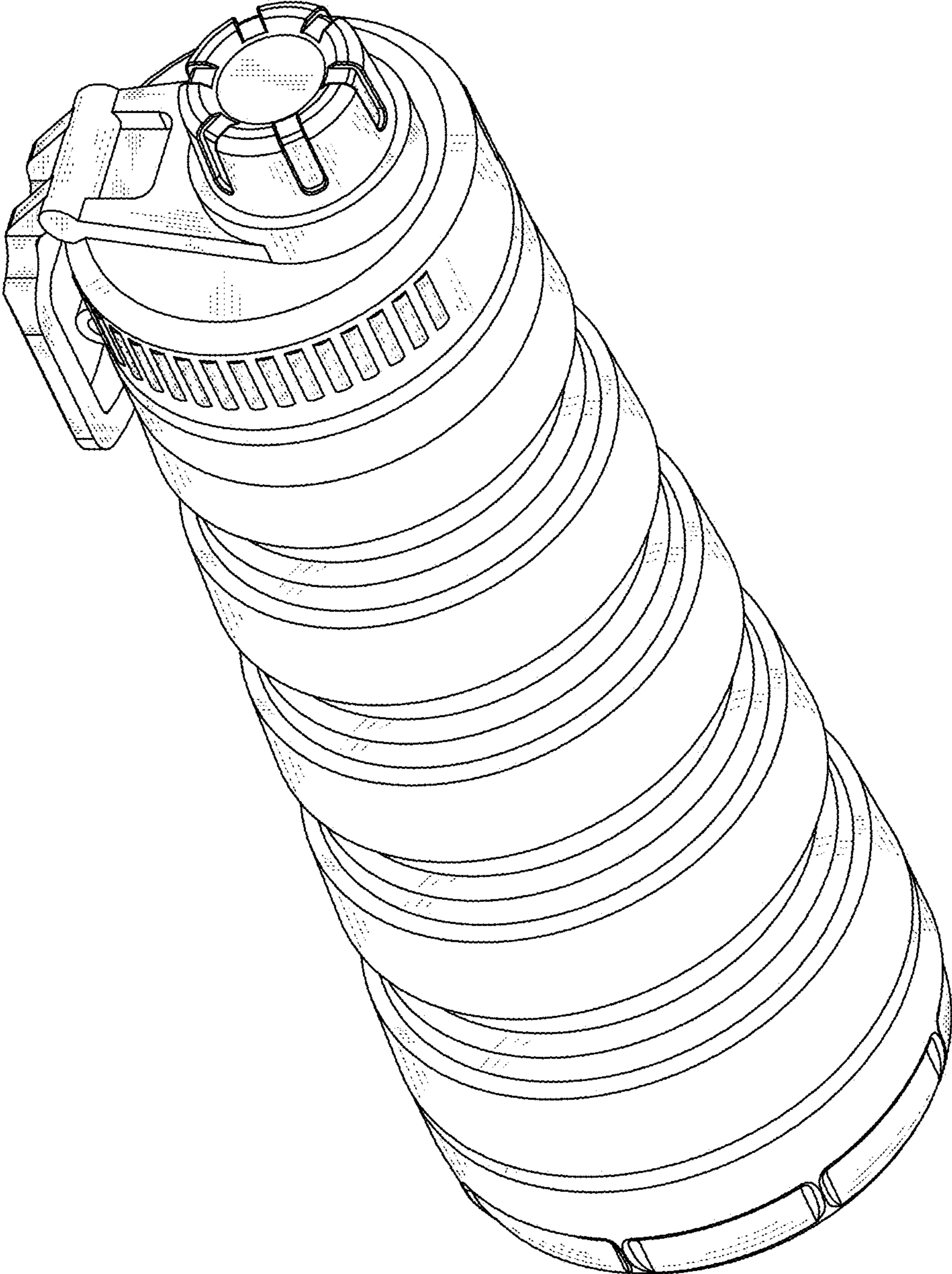


FIG.1

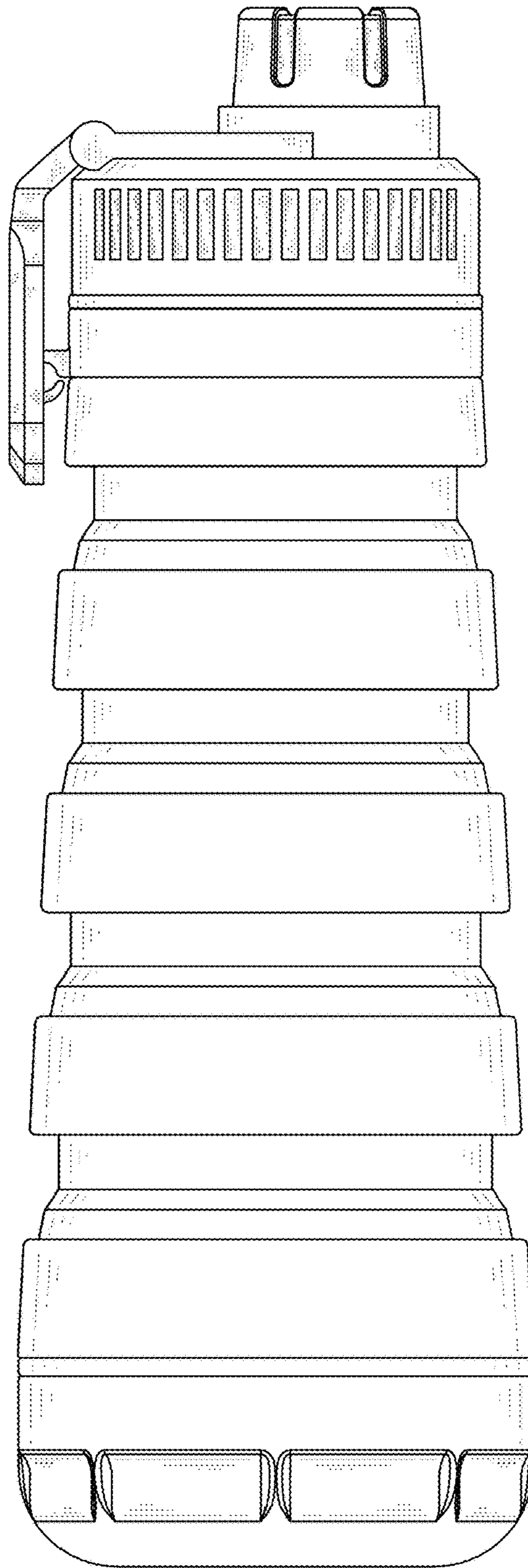


FIG.2

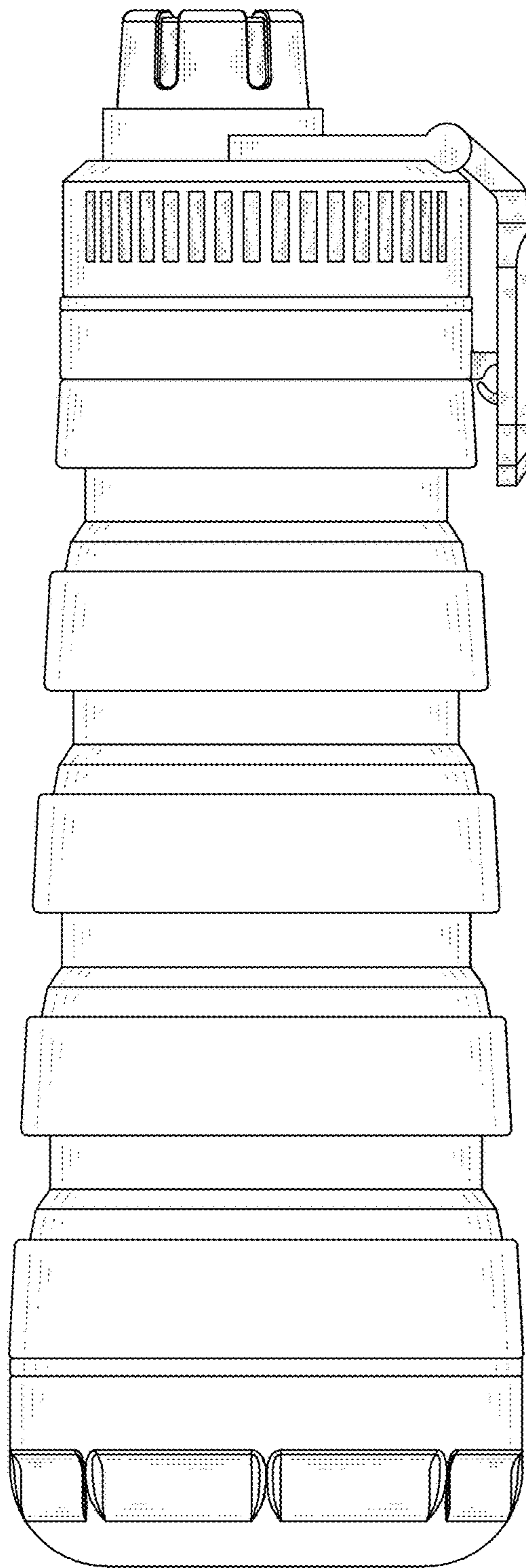


FIG.3

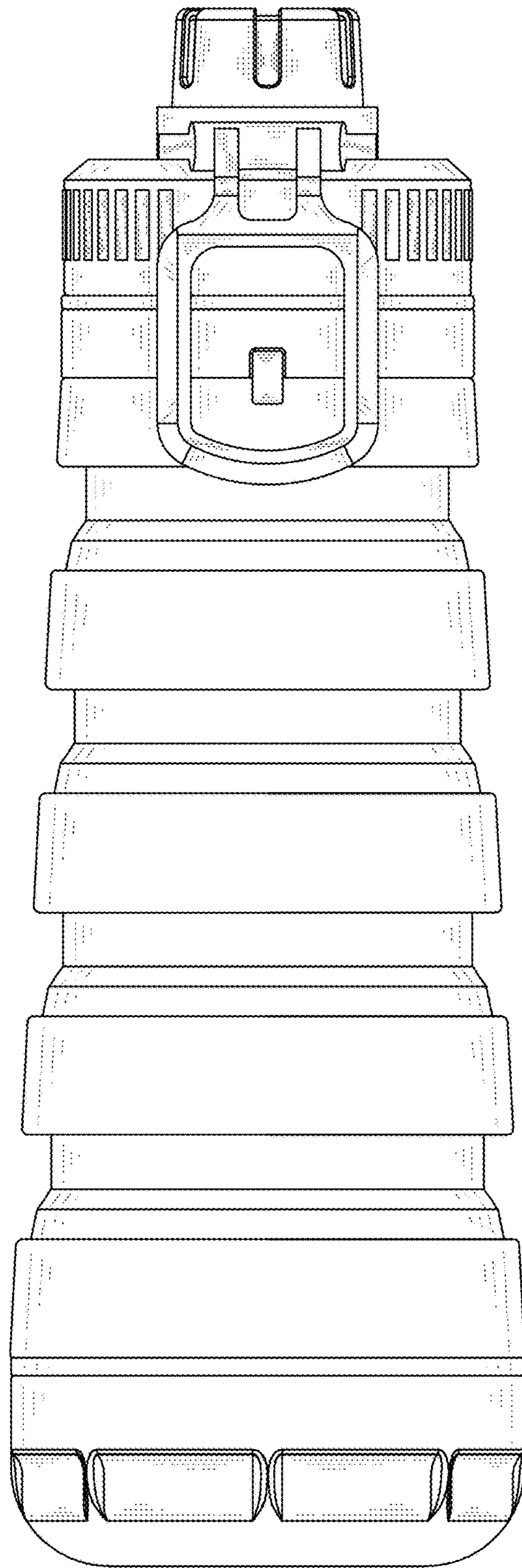


FIG.4

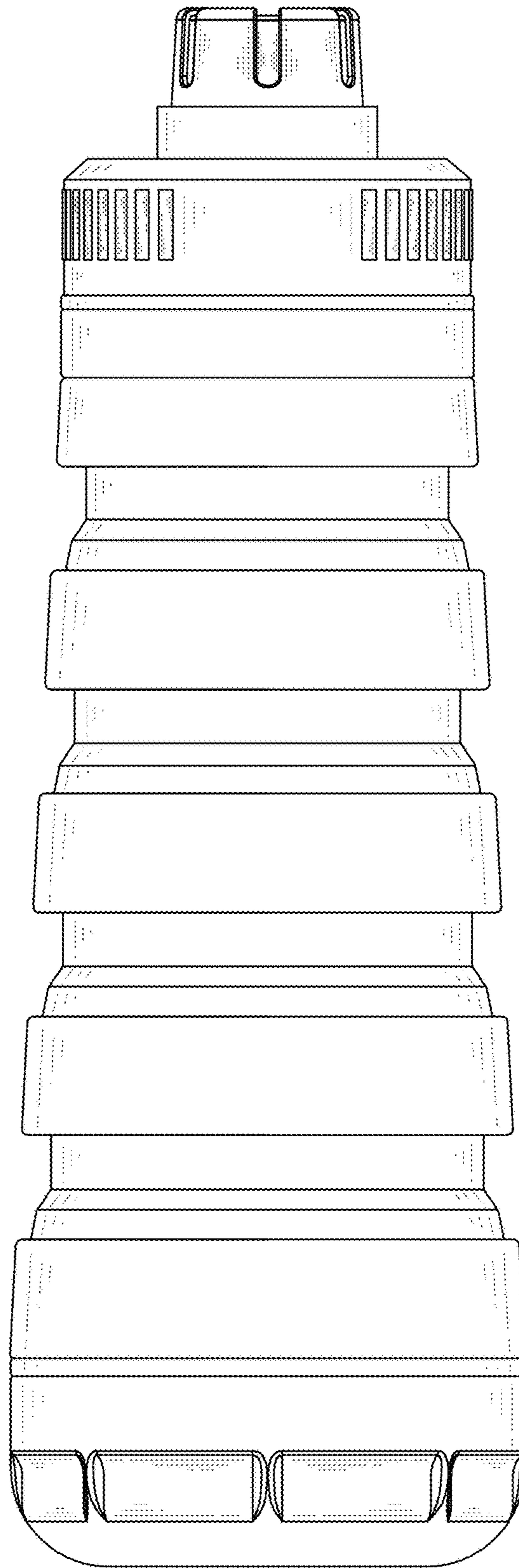


FIG.5

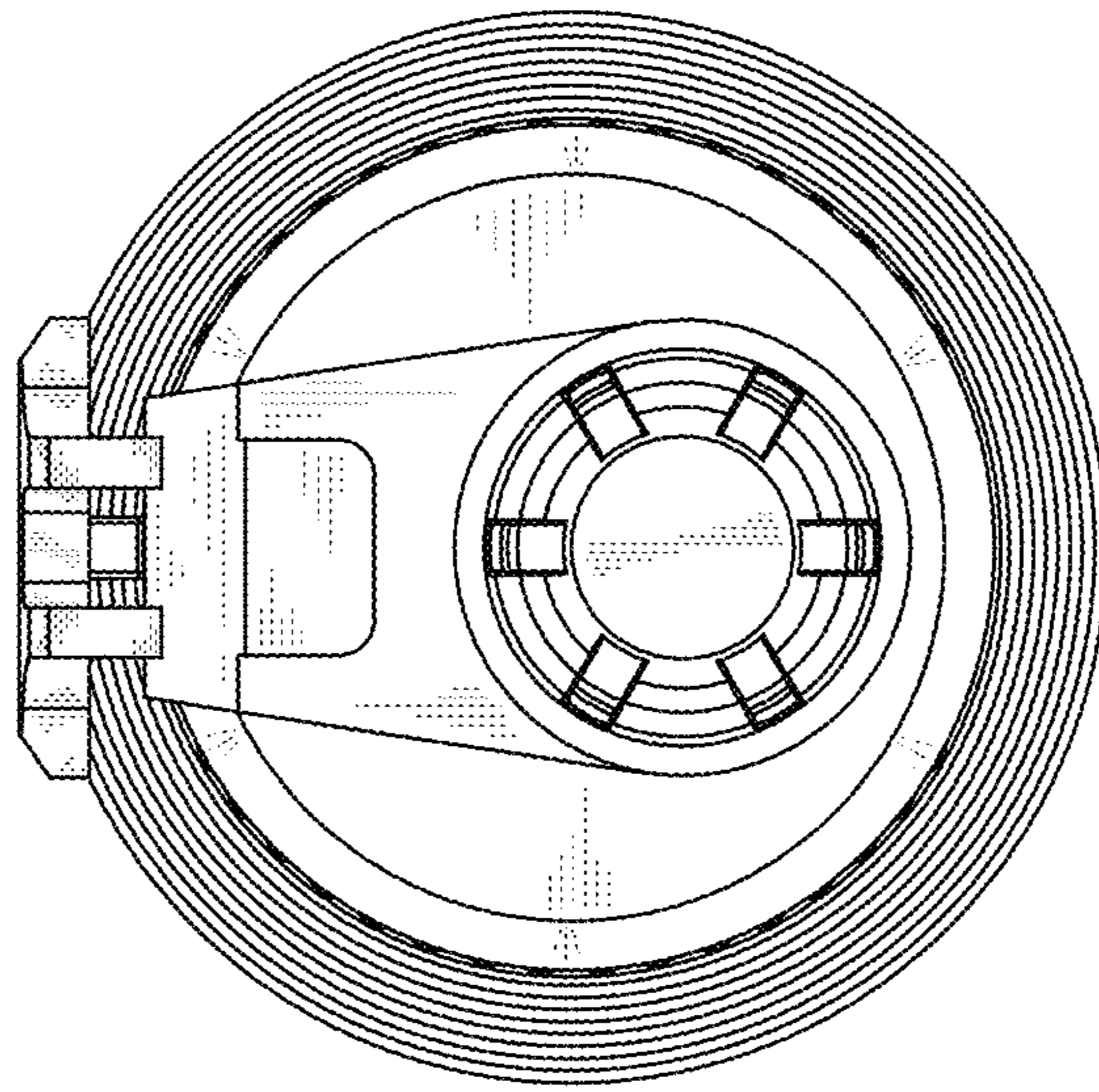


FIG.6

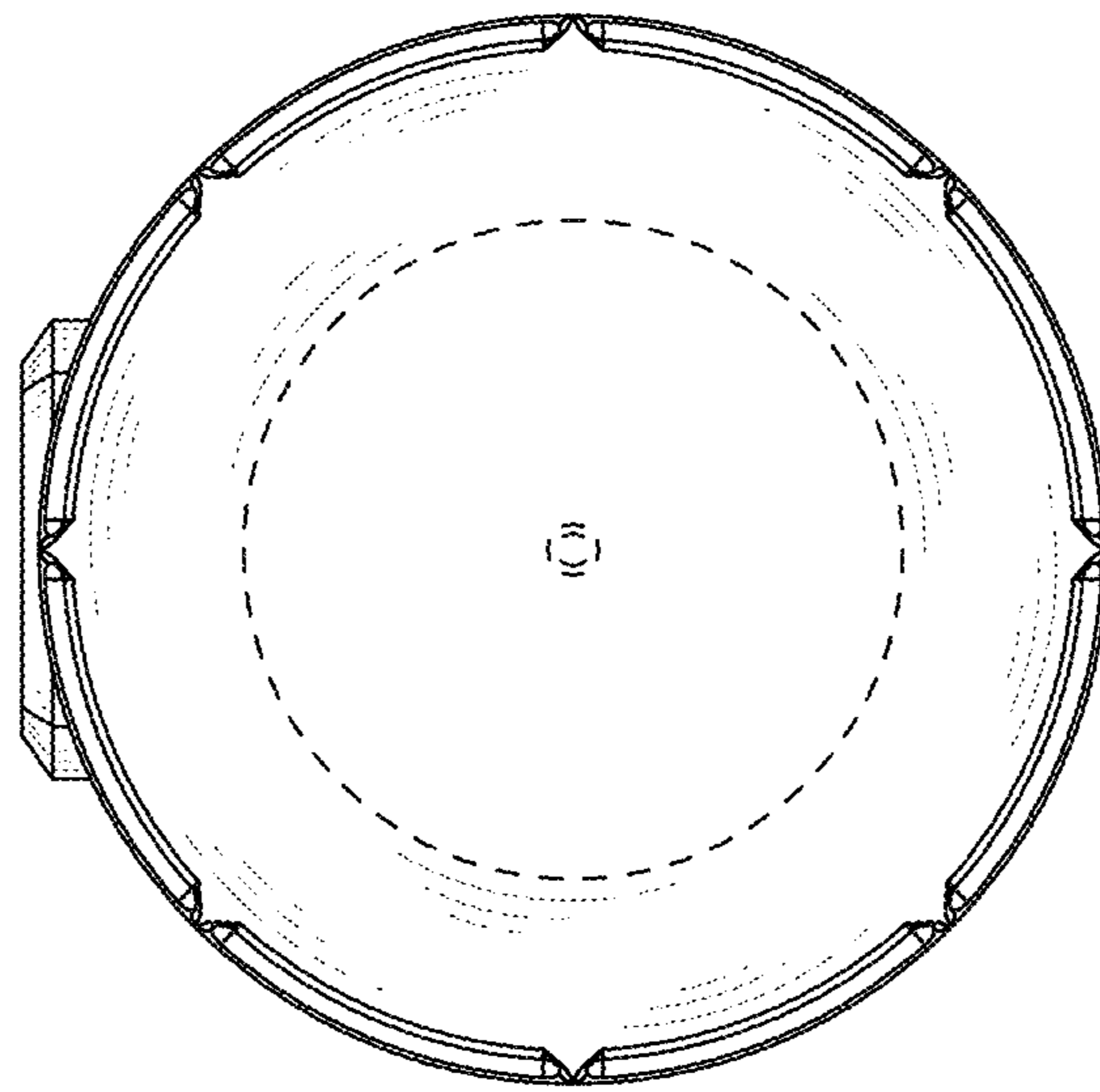


FIG.7