



US00D918658S

(12) **United States Design Patent**
Bullock et al.

(10) **Patent No.:** **US D918,658 S**

(45) **Date of Patent:** **** May 11, 2021**

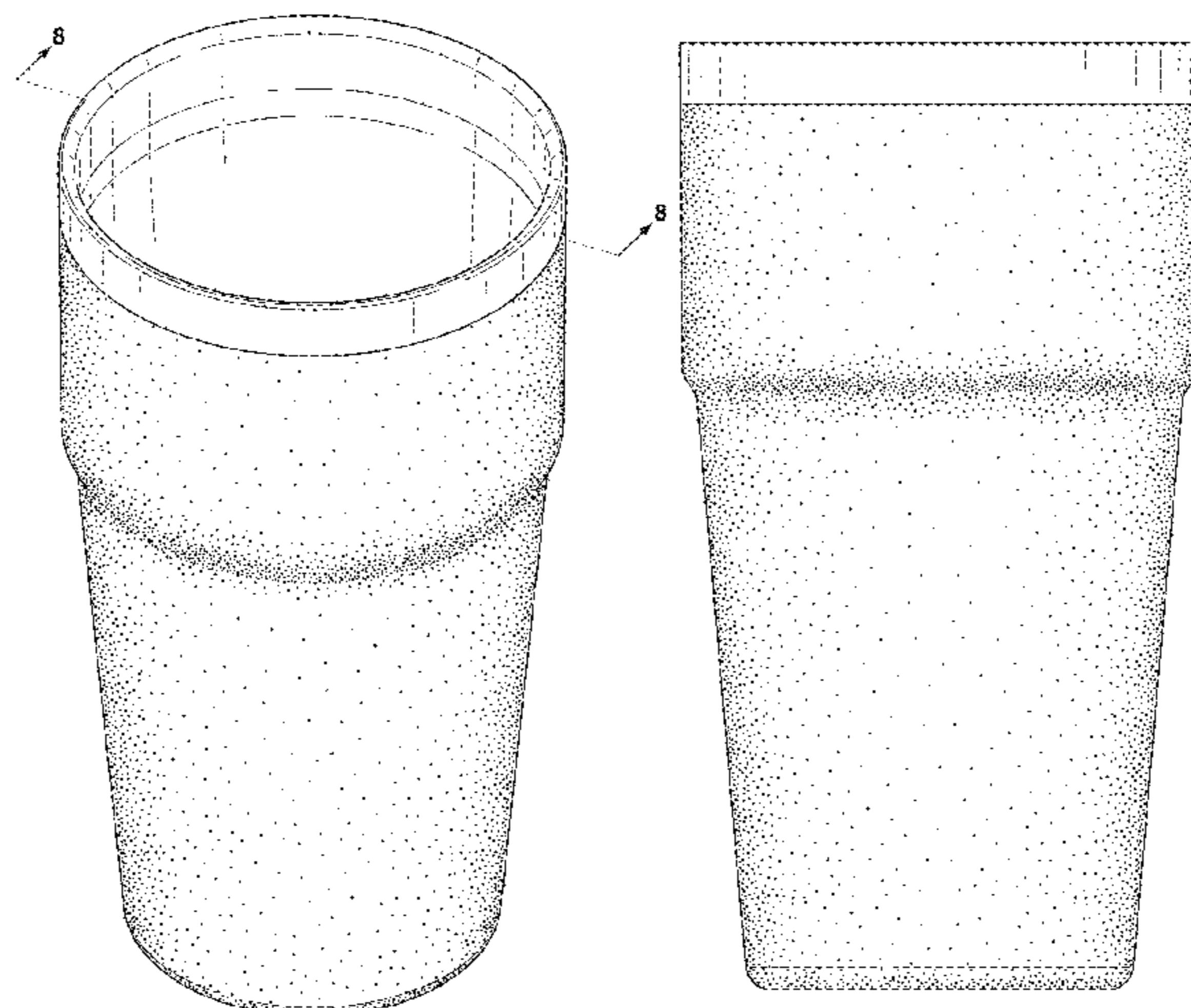
- (54) **TUMBLER**
- (71) Applicant: **YETI Coolers, LLC**, Austin, TX (US)
- (72) Inventors: **Dustin Bullock**, Austin, TX (US);
Colin Darling, Austin, TX (US); **Liza Morris**, Austin, TX (US); **Mark Carlson Rane**, Austin, TX (US)
- (73) Assignee: **YETI Coolers, LLC**, Austin, TX (US)
- (**) Term: **15 Years**
- (21) Appl. No.: **29/658,675**
- (22) Filed: **Aug. 1, 2018**
- (51) **LOC (13) Cl.** **07-01**
- (52) **U.S. Cl.**
USPC **D7/523**; D7/532
- (58) **Field of Classification Search**
USPC D7/507, 509, 510, 511, 529, 531, 532,
D7/523, 533, 534, 535, 536, 392.1, 296.1,
D7/396.2, 300.1, 608; D3/202; D9/500,
D9/531, 516, 517, 549
CPC A47G 19/22; A47G 19/2288; A47G
19/2205; A47J 41/0077; A47J 41/0088
See application file for complete search history.

D537,677 S	3/2007	Bresler	
D546,125 S *	7/2007	Bhavnani	D7/523
D555,430 S	11/2007	Tien	
D568,685 S *	5/2008	Bodum	D7/500
D631,699 S	2/2011	Moreau	
D658,922 S	5/2012	Fallon et al.	
8,714,348 B2	5/2014	Vargas	
D717,115 S	11/2014	Lane et al.	
D729,581 S	5/2015	Boroski	
D729,586 S	5/2015	Nemeth et al.	
D743,209 S	11/2015	Maas et al.	
D744,286 S	12/2015	Morris, II et al.	
D747,925 S	1/2016	Engler et al.	
D751,345 S	3/2016	Lane et al.	
9,321,555 B2	4/2016	Roodnat et al.	
D756,705 S	5/2016	Abrams et al.	
D757,496 S	5/2016	Julier et al.	
D757,497 S	5/2016	Bodum	
D763,043 S	8/2016	Stevens	
D769,069 S	10/2016	Sanbar	
D770,852 S	11/2016	Vu et al.	
D770,853 S	11/2016	Gschwandtl et al.	
D774,827 S *	12/2016	Miller	D7/523
D781,103 S	3/2017	Karussi	
D789,156 S	6/2017	Engler et al.	
D791,543 S	7/2017	Mulhauser et al.	
D793,809 S	8/2017	Bodum	
D795,643 S	8/2017	Barlow	
D796,905 S	9/2017	Kestenbaum	
D797,510 S	9/2017	Ke	
D798,112 S	9/2017	Godsey	
D799,268 S *	10/2017	Gschwandtl	D7/509
D802,998 S	11/2017	Oshipitan	
D808,218 S	1/2018	Seiders et al.	
D808,722 S	1/2018	Hill	
D810,511 S	2/2018	Harrington, III et al.	
D811,817 S	3/2018	Harrington, III et al.	
D813,606 S	3/2018	O'Nan et al.	
D814,240 S	4/2018	Kabalin	
9,975,674 B2	5/2018	Shapiro	
D819,406 S	6/2018	Rivera	
D821,151 S *	6/2018	Lapsker	D7/511
D827,378 S	9/2018	Mulhauser et al.	
D827,379 S	9/2018	Mulhauser et al.	
D828,724 S	9/2018	Wall	
D830,770 S	10/2018	Verhoeven	
D833,817 S *	11/2018	Sletten	D7/510
2013/0319894 A1 *	12/2013	Vargas	A47G 19/2227 206/459.5
2015/0122688 A1	5/2015	Dias et al.	
2017/0095120 A1	4/2017	Tolman et al.	

(56) **References Cited**

U.S. PATENT DOCUMENTS

604,514 A	5/1898	Belden	
D114,568 S *	5/1939	Viatour	D7/523
3,118,560 A	1/1964	Cornelius	
3,223,305 A	12/1965	Edwards	
3,648,888 A	3/1972	Cheladze	
4,111,303 A	9/1978	Compton	
4,420,081 A	12/1983	Dart	
D416,757 S	11/1999	Ginuntoli	
6,065,603 A	5/2000	Filice et al.	
D469,306 S	1/2003	Lipson	
D469,658 S *	2/2003	Norris	D7/510
D471,064 S	3/2003	Renz	
D483,995 S *	12/2003	Otake	D7/523
D484,361 S	12/2003	Jeung	
D490,272 S	5/2004	Rohe	



2017/0318992 A1 11/2017 Cohara
 2018/0228314 A1 8/2018 Putnam
 2018/0257818 A1 9/2018 Kuze

FOREIGN PATENT DOCUMENTS

CN	3658922	6/2007
CN	300794415	6/2008
CN	301165429	3/2010
CN	301990812	7/2012
CN	303140301	3/2015
CN	303223106	5/2015
CN	303223155	5/2015
CN	303223156	5/2015
CN	303229896	6/2015
CN	303229897	6/2015
CN	303229898	6/2015
CN	303237155	6/2015
CN	303304733	7/2015
CN	303365143	9/2015
CN	205274113 U	6/2016
CN	303697540	6/2016
CN	303801888	8/2016
CN	304729608	7/2018
CN	207956318 U	10/2018
CN	304924259	12/2018
CN	304955722	12/2018
CN	304966000	12/2018
EM	003007087-0004	5/2016
EM	003993526-0001	5/2017
EM	004089894-0024	7/2017
EM	004089894-0026	7/2017
JP	HJ19019156	5/2007
JP	HJ1901915600 S	5/2007
KR	30-0716702 S	1/2013
KR	30-0716702	11/2013
WO	13159139 A1	10/2013

OTHER PUBLICATIONS

<https://www.amazon.com/Simple-Modern-Slim-Cruiser-Tumbler/dp/B07D4B64KQ?th=1> (Year: 2018).
 Nov. 18, 2019 (JP) OA—App. No. 2019-002024.
 Nov. 9, 2020—(CA) Examination Report—App. No. 185906.
 Jun. 24, 2020 (JP) OA—App. No. 2019-002024.
http://www.amazon.com/Stainless-Steel-Tumbler-Insulated-Greens/dp/B01DONHIQ6?ref_=ast_sto_dp (Year: 2016).

* cited by examiner

Primary Examiner — Jae Liang
 (74) Attorney, Agent, or Firm — Banner & Witcoff, Ltd.

(57) CLAIM

The ornamental design for a tumbler, as shown and described.

DESCRIPTION

The file of this patent contains at least one drawing executed in color. Copies of this patent with color drawings will be provided by the Office upon request and payment.
 FIG. 1 is a top, front, right perspective view of a first embodiment of a tumbler showing our new design;
 FIG. 2 is a front view thereof;
 FIG. 3 is a right side view thereof;
 FIG. 4 is a rear view thereof;
 FIG. 5 is a left side view thereof;
 FIG. 6 is a top view thereof;
 FIG. 7 is a bottom view thereof;
 FIG. 8 is a cross section view showing a section taken along line 8-8 of FIG. 1;

FIG. 9 is a cross section view showing a section taken along line 9-9 of FIG. 6;
 FIG. 10 is a top, front, right perspective view of a second embodiment of a tumbler showing our new design;
 FIG. 11 is a front view thereof;
 FIG. 12 is a right side view thereof;
 FIG. 13 is a rear view thereof;
 FIG. 14 is a left side view thereof;
 FIG. 15 is a top view thereof;
 FIG. 16 is a bottom view thereof;
 FIG. 17 is a cross section view showing a section taken along line 17-17 of FIG. 10;
 FIG. 18 is a cross section view showing a section taken along line 18-18 of FIG. 15;
 FIG. 19 is a top, front, right perspective view of a third embodiment of a tumbler showing our new design;
 FIG. 20 is a front view thereof;
 FIG. 21 is a right side view thereof;
 FIG. 22 is a rear view thereof;
 FIG. 23 is a left side view thereof;
 FIG. 24 is a top view thereof;
 FIG. 25 is a bottom view thereof;
 FIG. 26 is a cross section view showing a section taken along line 26-26 of FIG. 19;
 FIG. 27 is a cross section view showing a section taken along line 27-27 of FIG. 24;
 FIG. 28 is a top, front, right perspective view of a fourth embodiment of a tumbler showing our new design;
 FIG. 29 is a front view thereof;
 FIG. 30 is a right side view thereof;
 FIG. 31 is a rear view thereof;
 FIG. 32 is a left side view thereof;
 FIG. 33 is a top view thereof;
 FIG. 34 is a bottom view thereof;
 FIG. 35 is a cross section view showing a section taken along line 35-35 of FIG. 28;
 FIG. 36 is a cross section view showing a section taken along line 36-36 of FIG. 33;
 FIG. 37 is a top, front, right perspective view of a fifth embodiment of a tumbler showing our new design;
 FIG. 38 is a front view thereof;
 FIG. 39 is a right side view thereof;
 FIG. 40 is a rear view thereof;
 FIG. 41 is a left side view thereof;
 FIG. 42 is a top view thereof;
 FIG. 43 is a bottom view thereof;
 FIG. 44 is a cross section view showing a section taken along line 44-44 of FIG. 37;
 FIG. 45 is a cross section view showing a section taken along line 45-45 of FIG. 42;
 FIG. 46 is a top, front, right perspective view of a sixth embodiment of a tumbler showing our new design;
 FIG. 47 is a front view thereof;
 FIG. 48 is a right side view thereof;
 FIG. 49 is a rear view thereof;
 FIG. 50 is a left side view thereof;
 FIG. 51 is a top view thereof;
 FIG. 52 is a bottom view thereof;
 FIG. 53 is a cross section view showing a section taken along line 53-53 of FIG. 46; and,
 FIG. 54 is a cross section view showing a section taken along line 54-54 of FIG. 51.
 The broken lines depicting the remainder of the tumbler show features that form no part of the claimed design. The contrast in shading shown in FIGS. 1-5 and 7-9 represents

a contrast in appearance only and does not represent any particular color, material, texture or finish. The broken lines depicting the remainder of the tumbler show features that form no part of the claimed design.

1 Claim, 48 Drawing Sheets
(40 of 48 Drawing Sheet(s) Filed in Color)

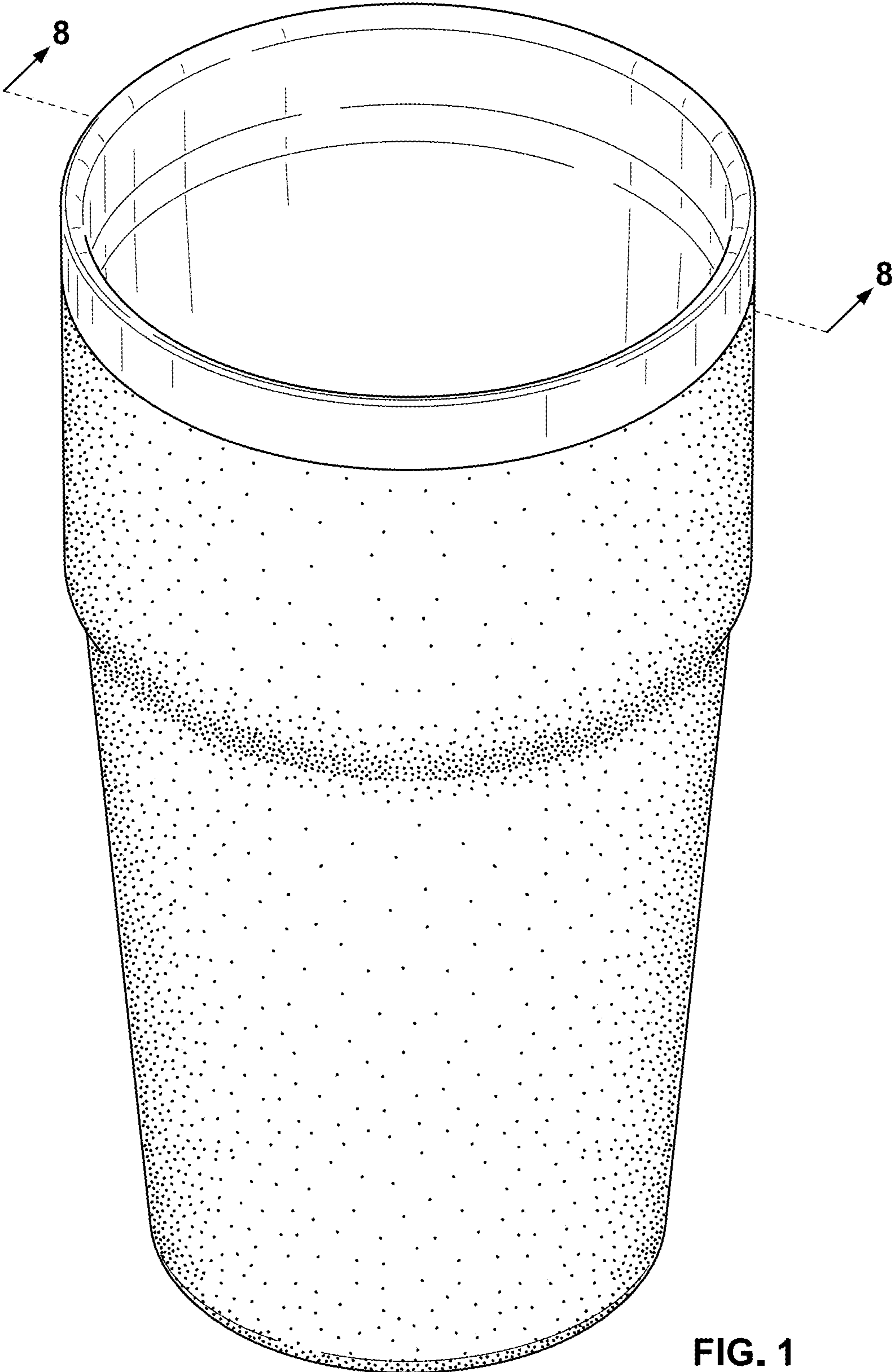


FIG. 1

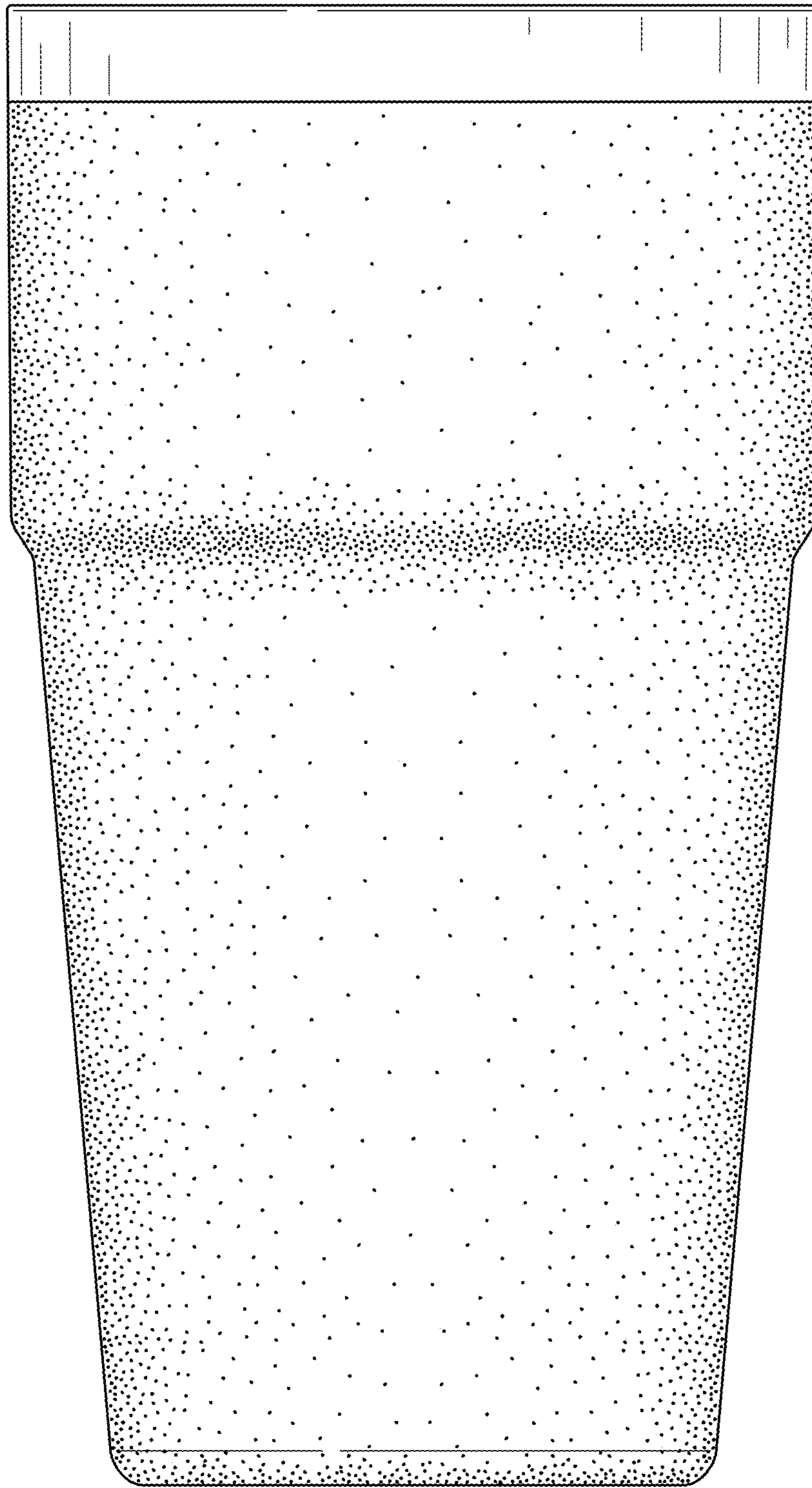


FIG. 2

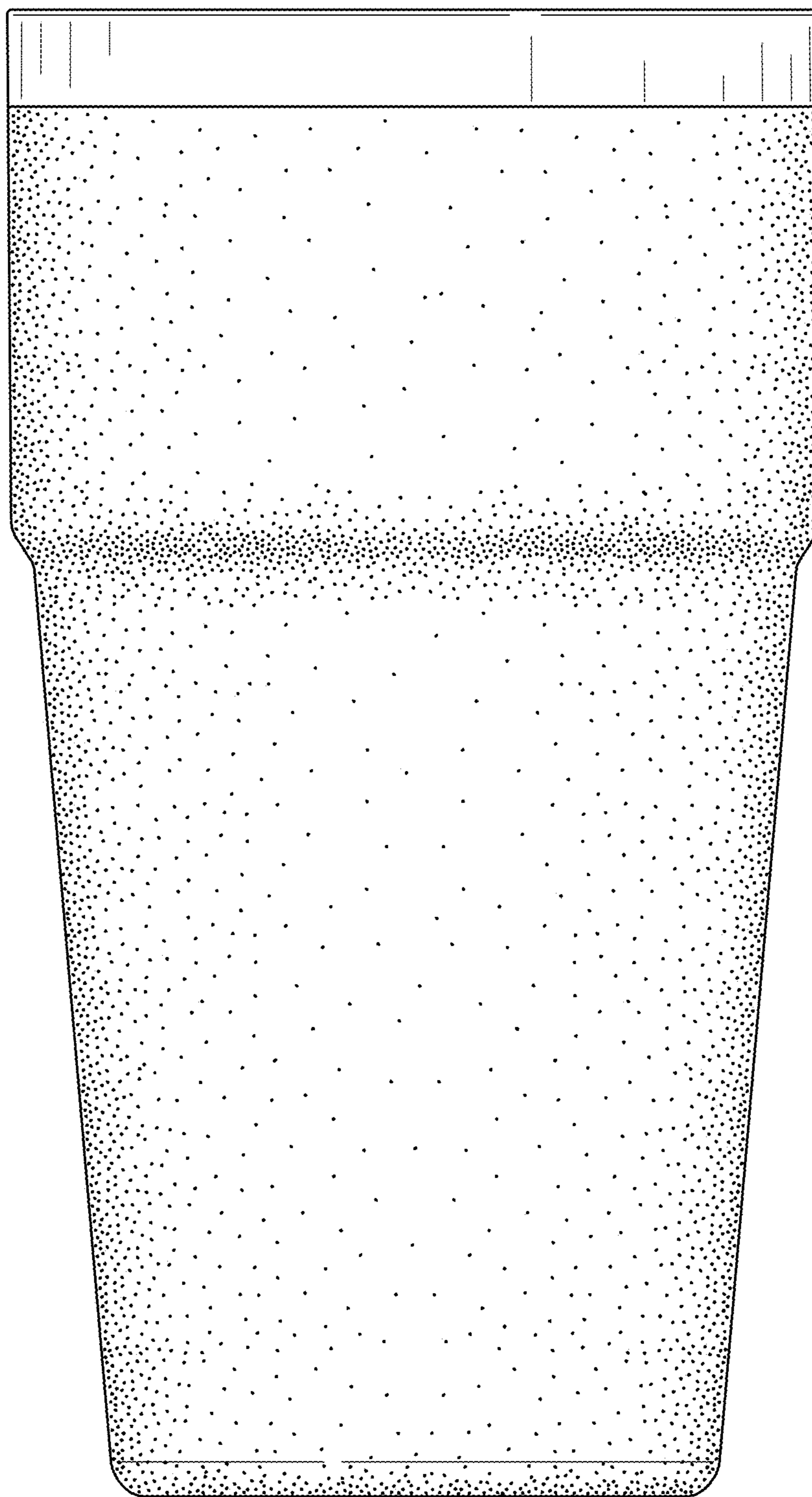


FIG. 3

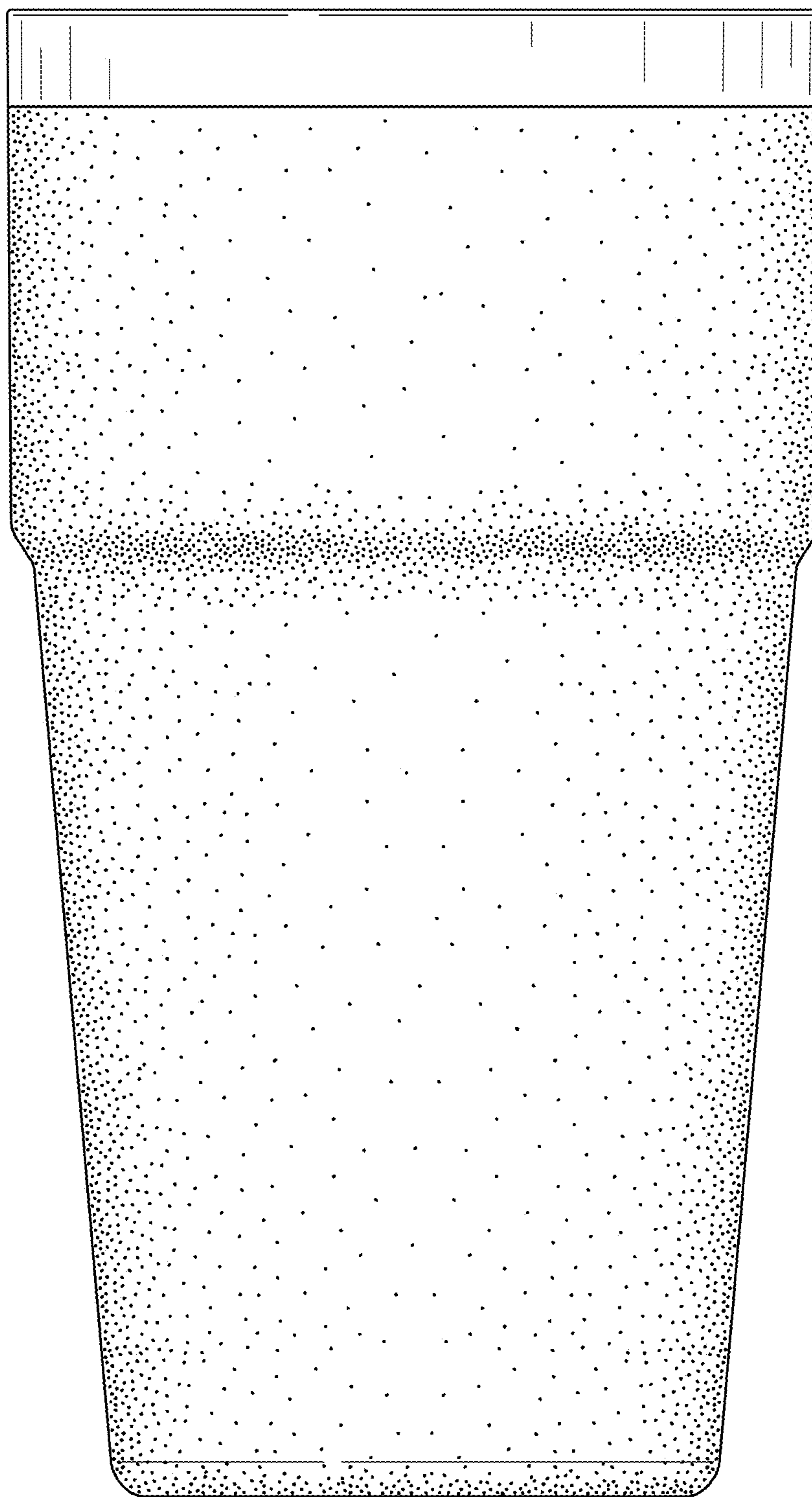


FIG. 4

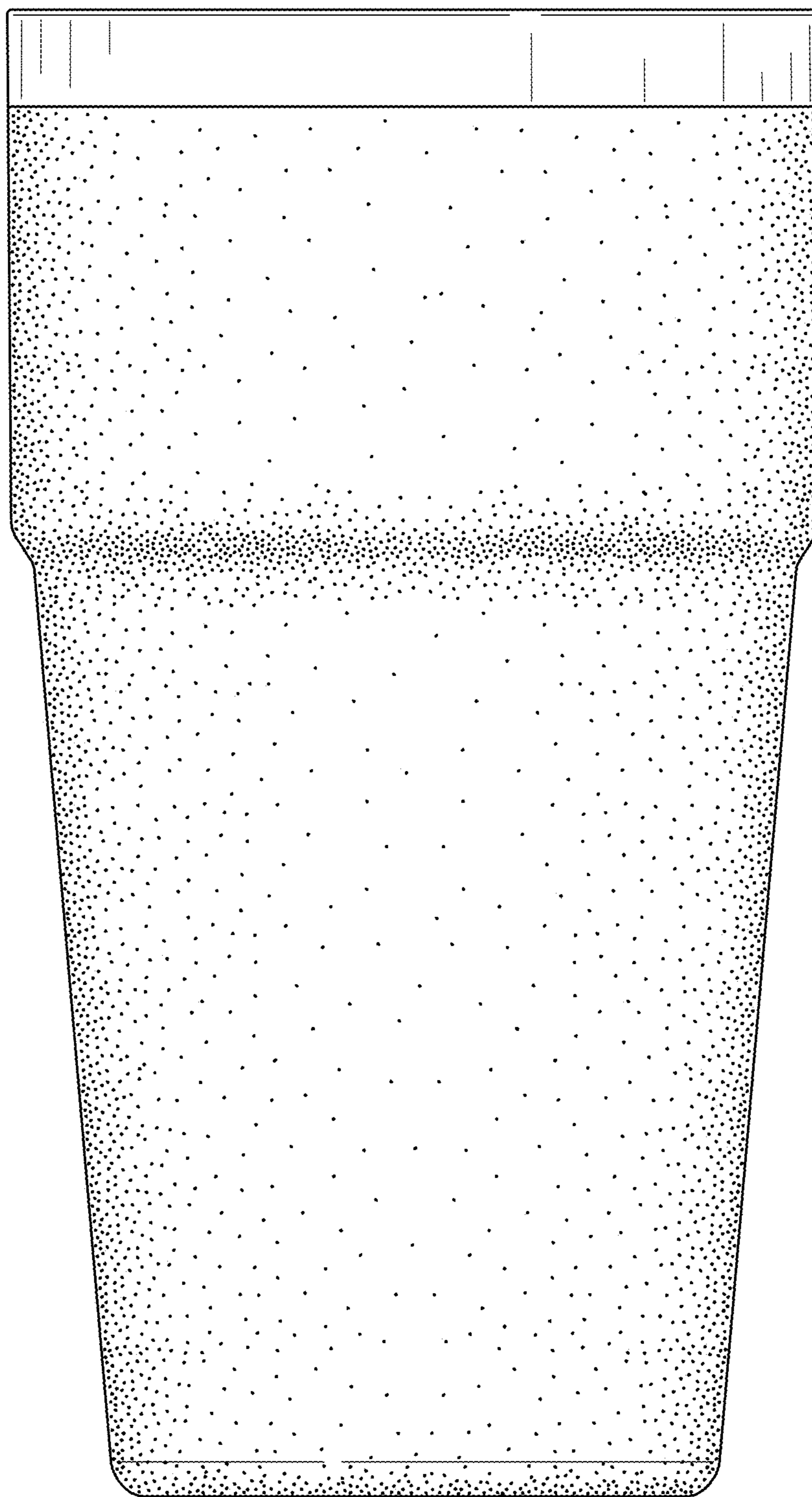


FIG. 5

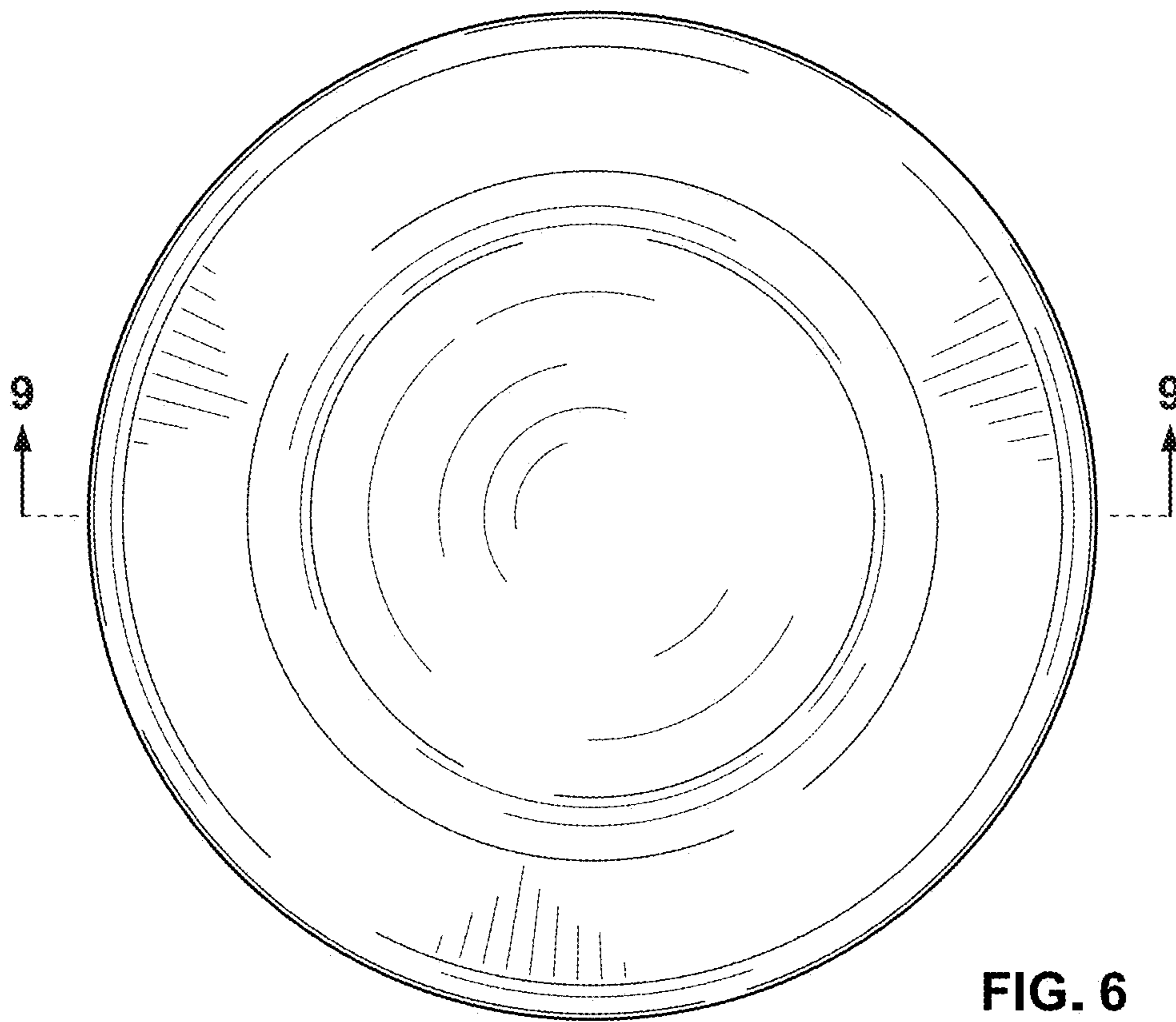


FIG. 6

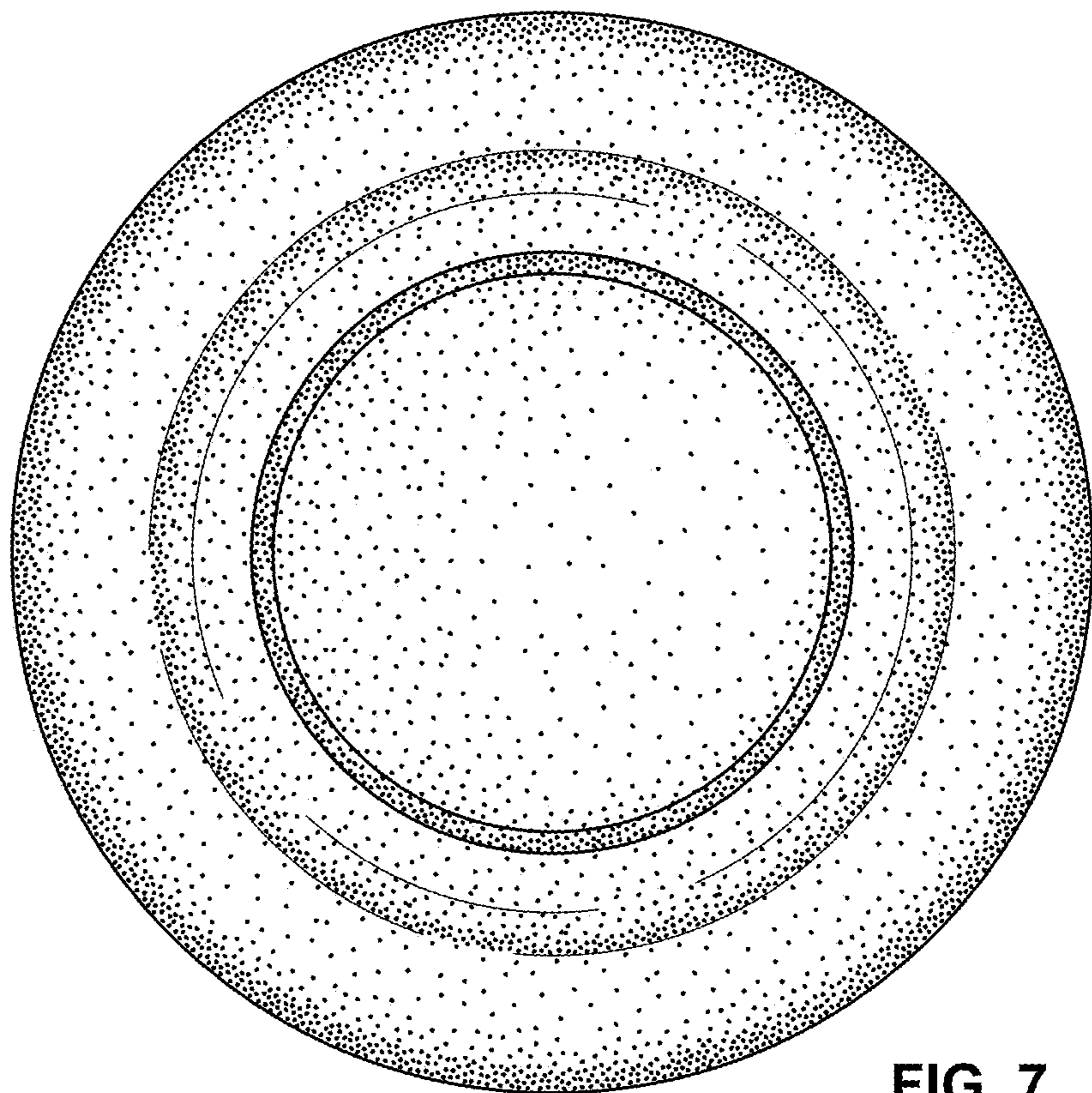


FIG. 7

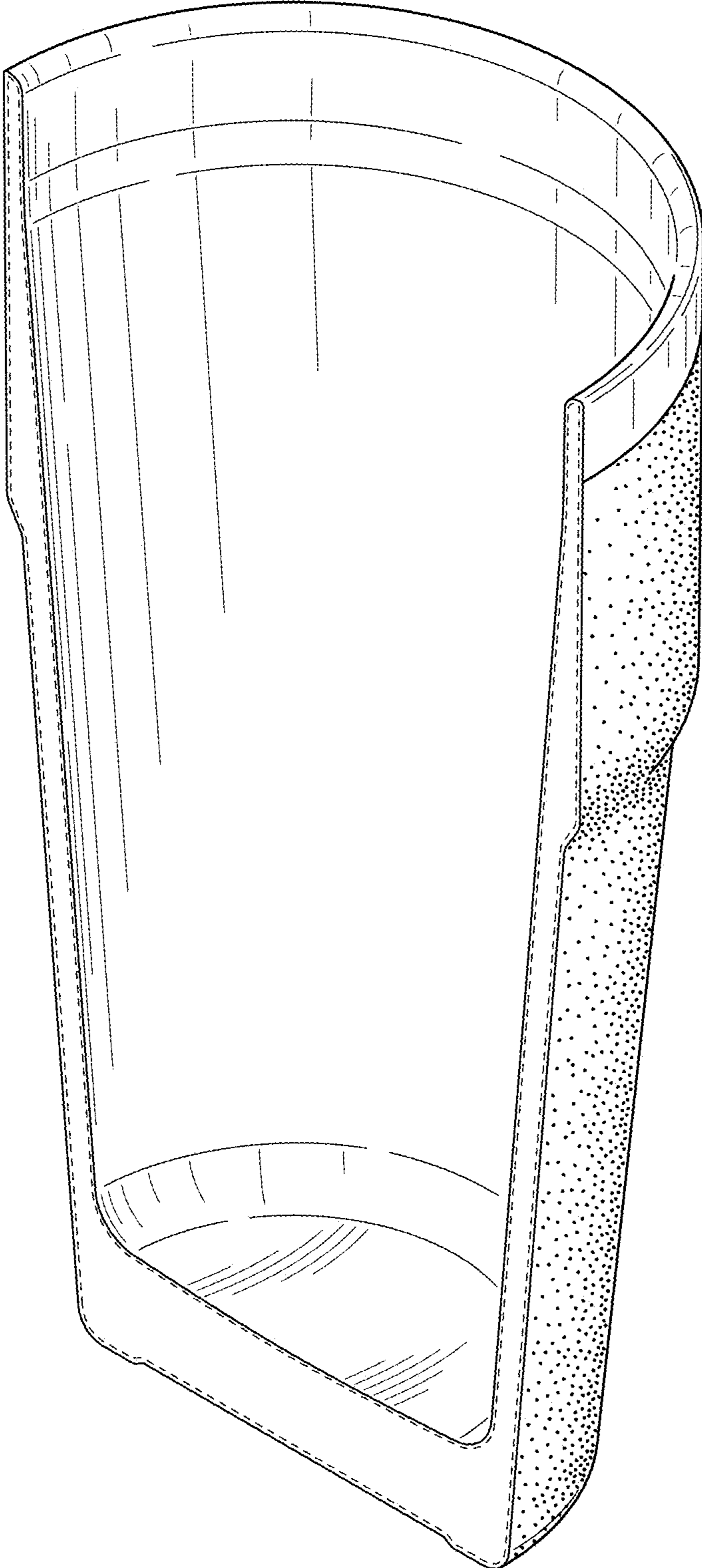


FIG. 8

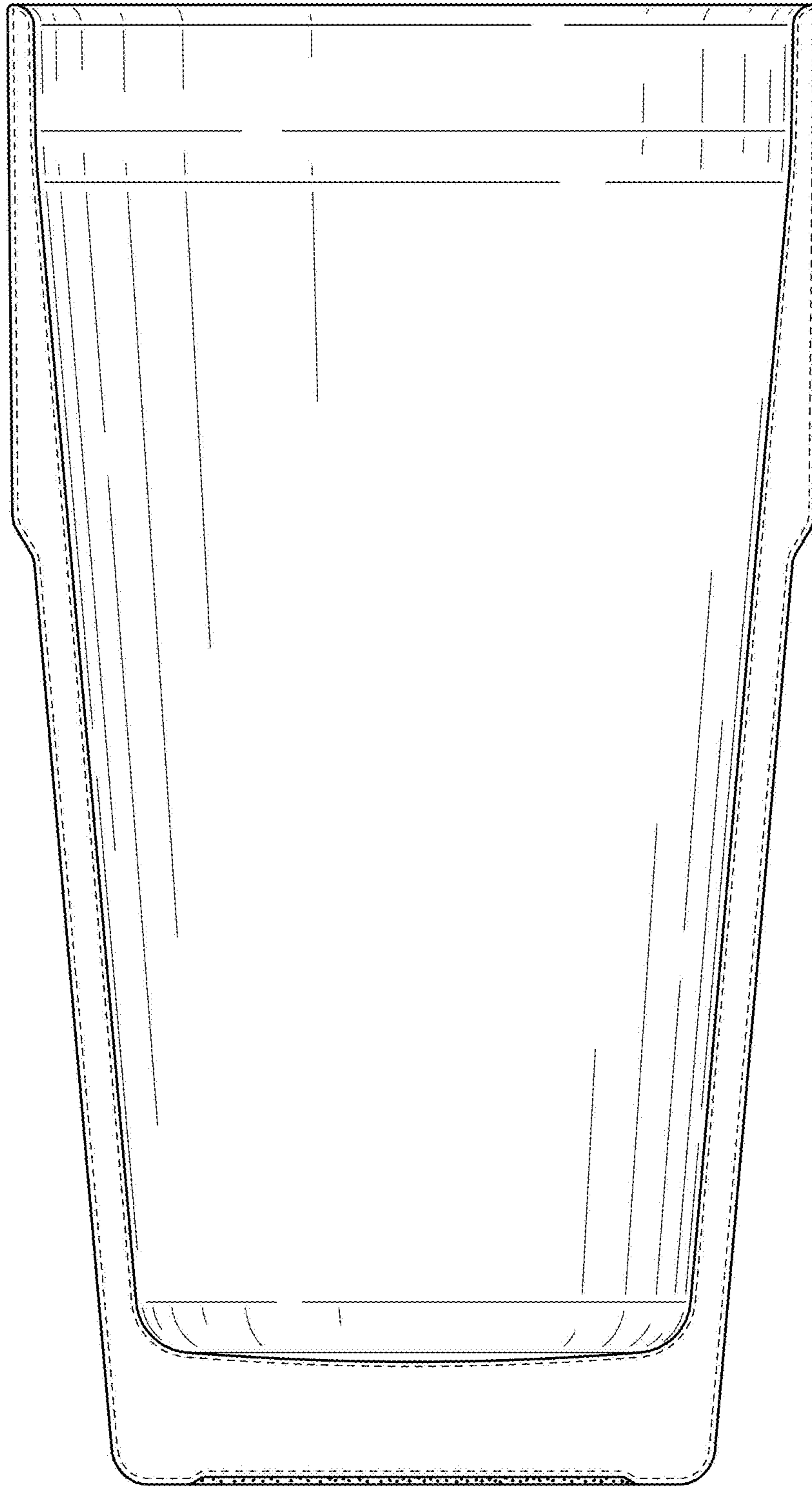


FIG. 9

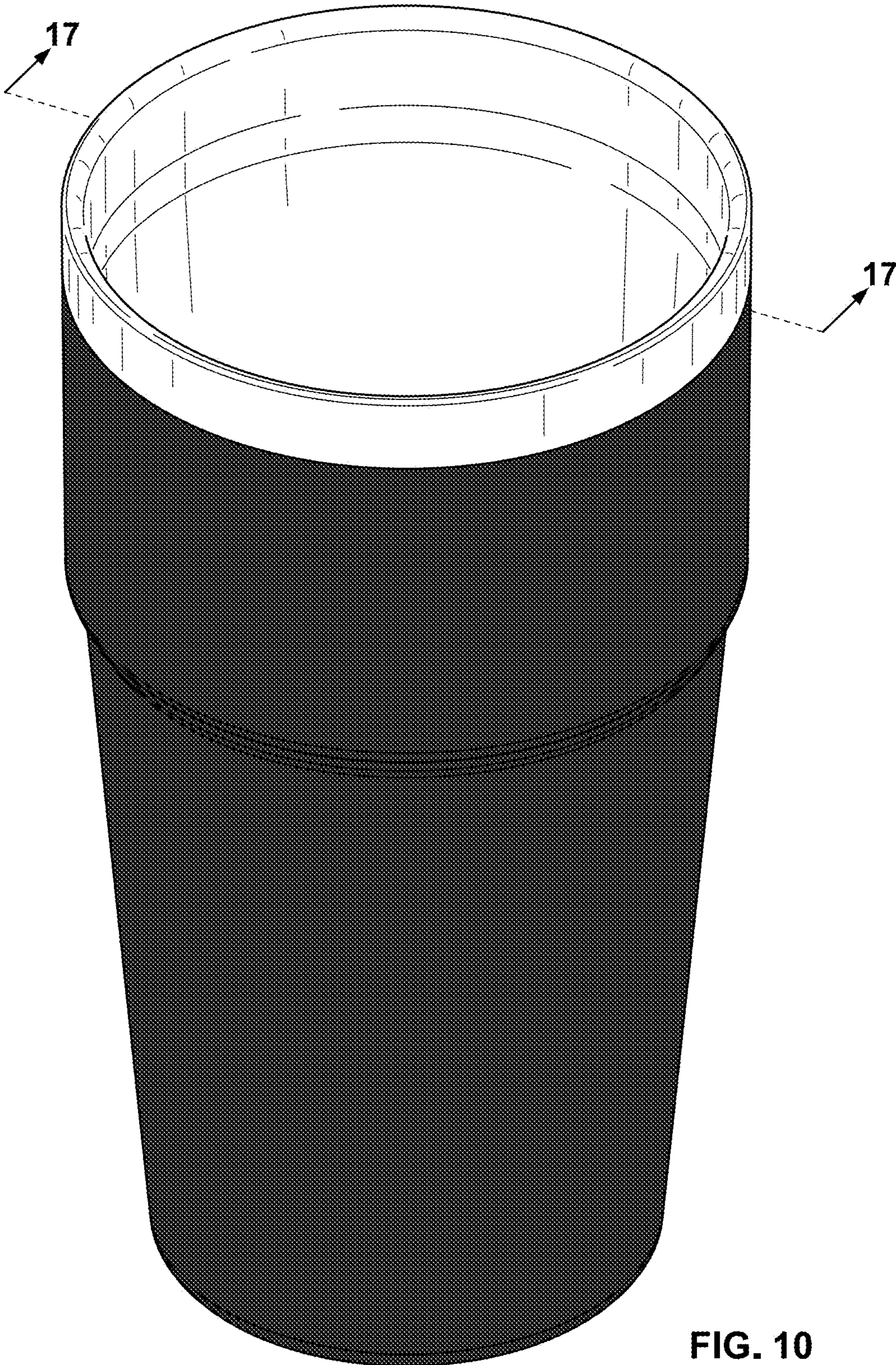


FIG. 10

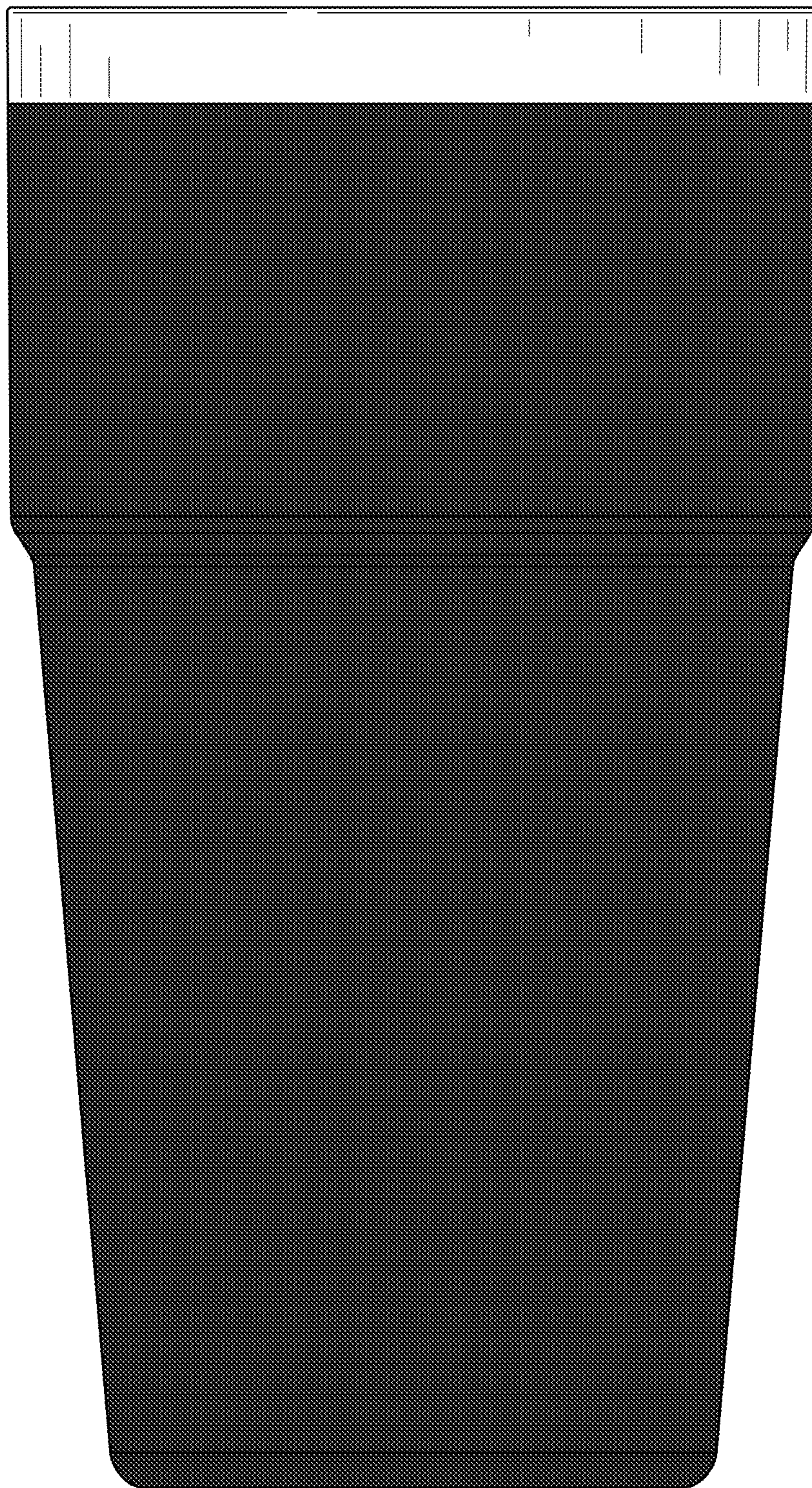


FIG. 11

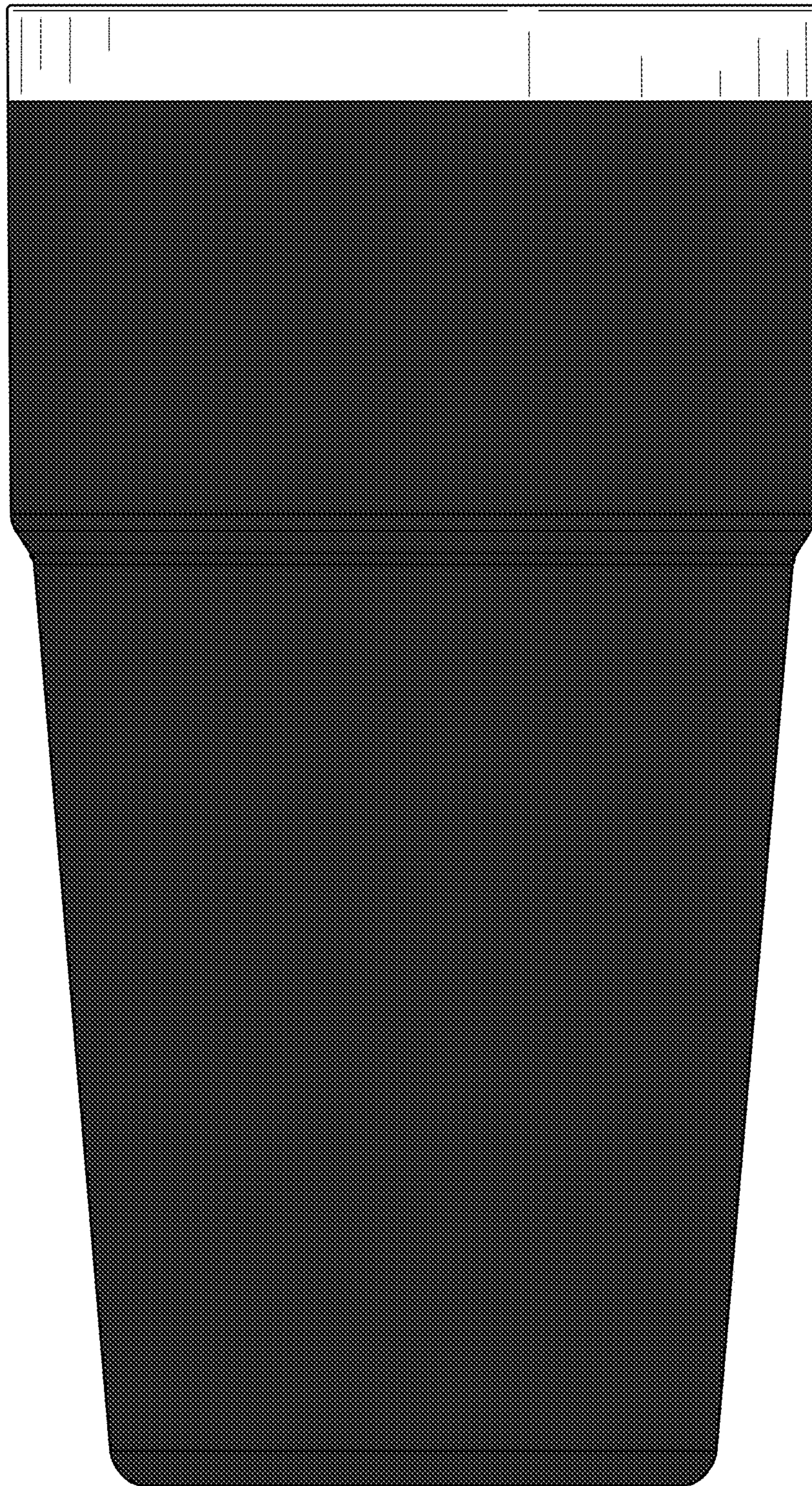


FIG. 12

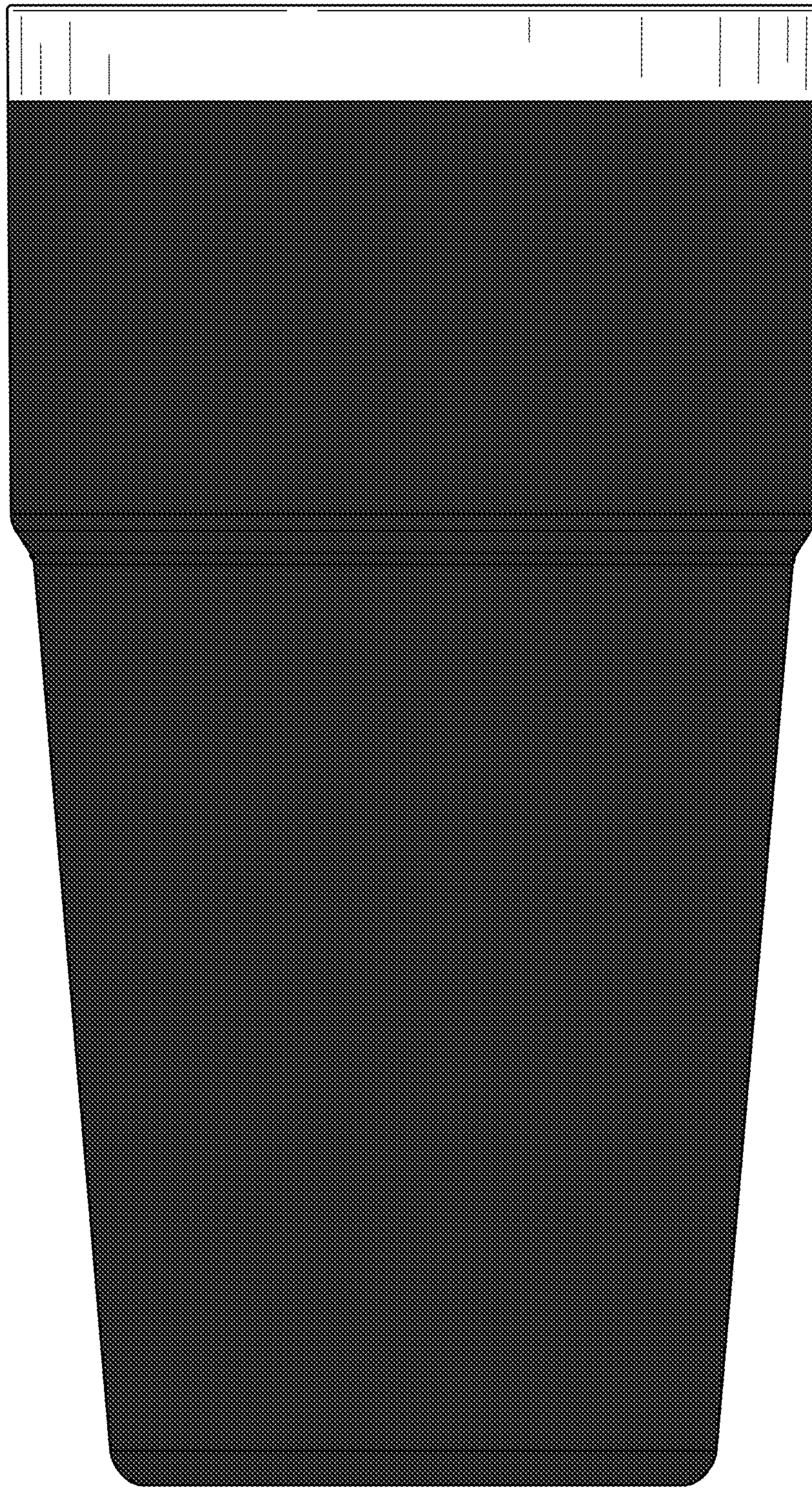


FIG. 13

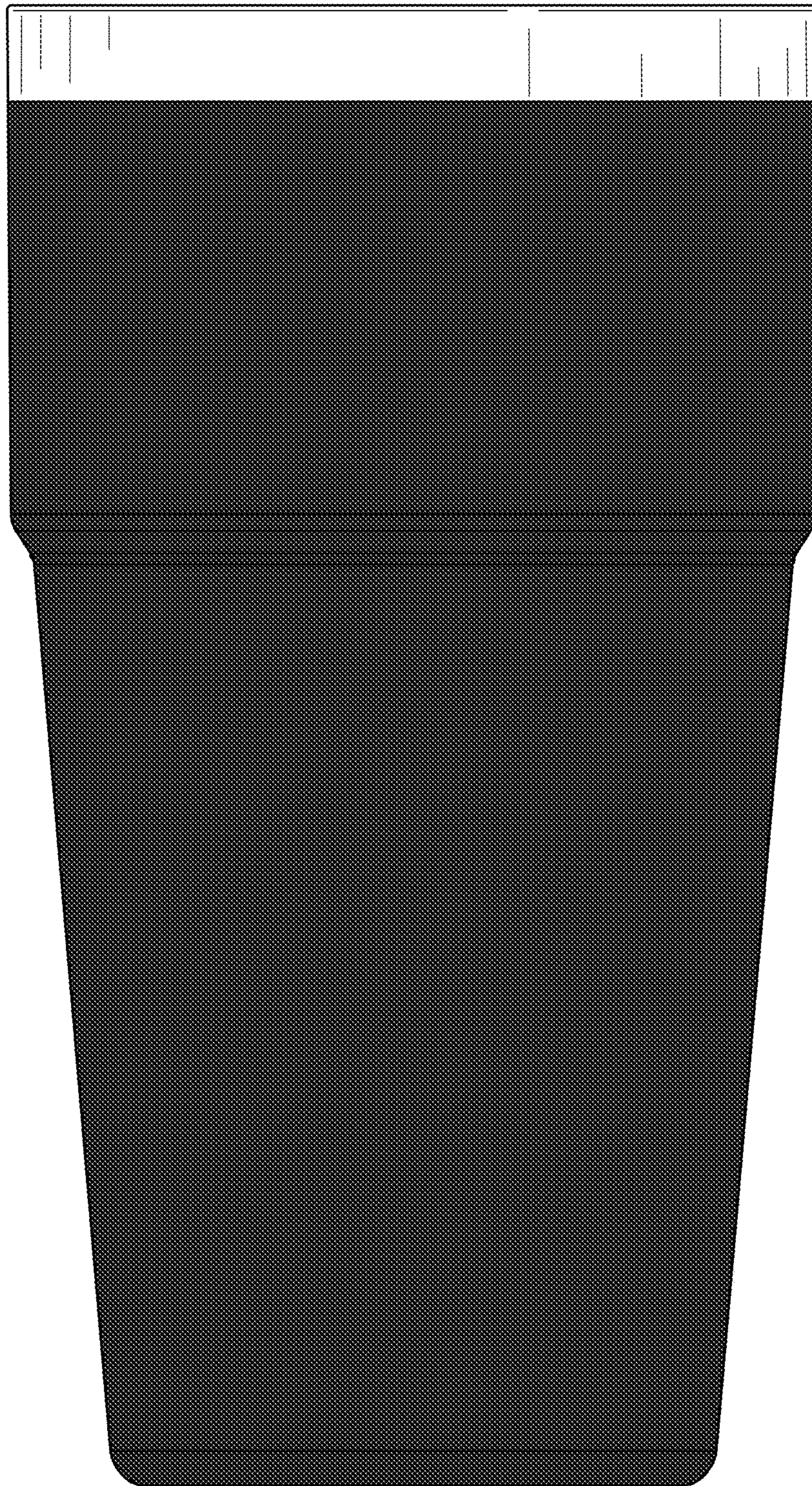


FIG. 14

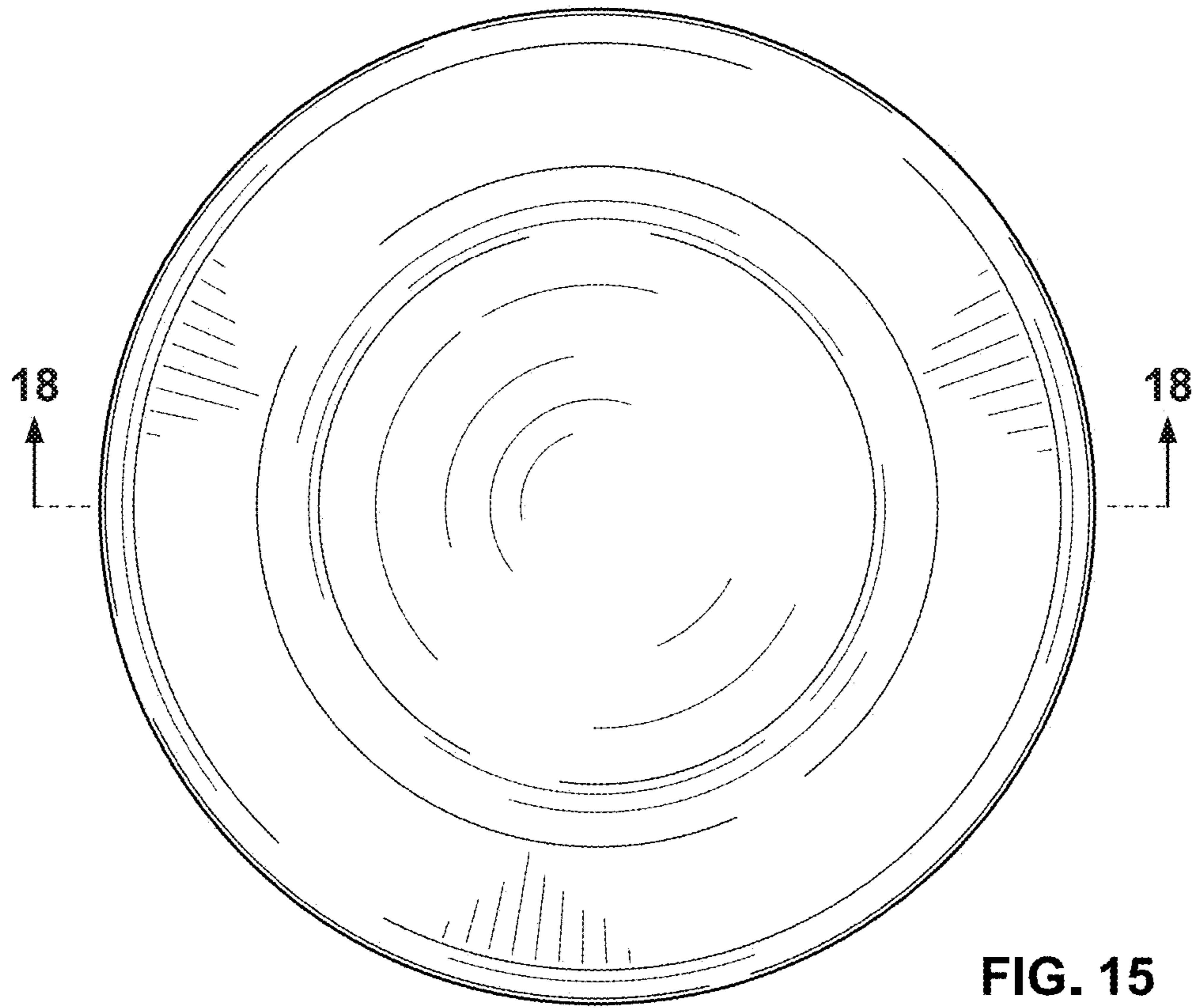


FIG. 15

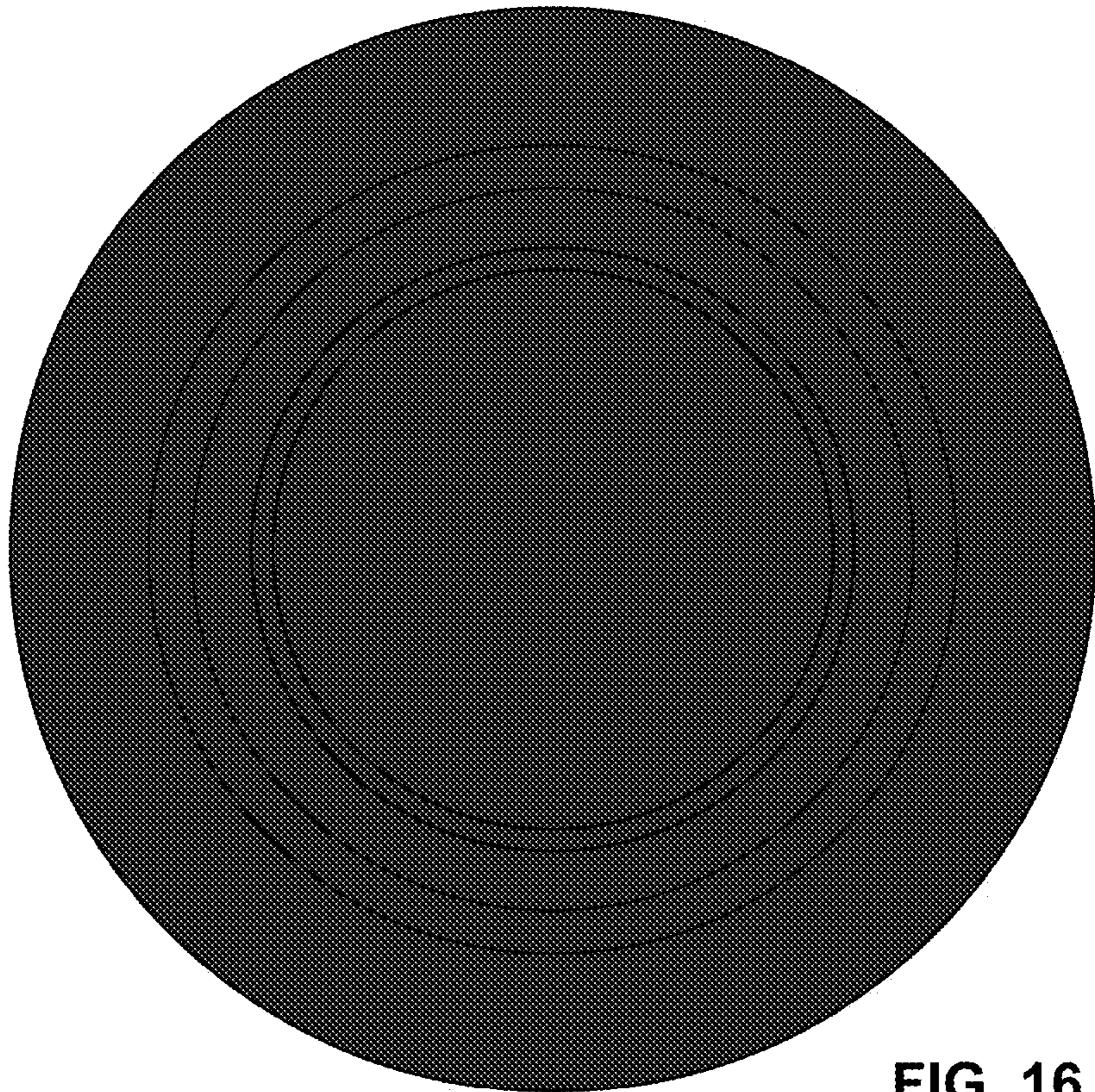


FIG. 16

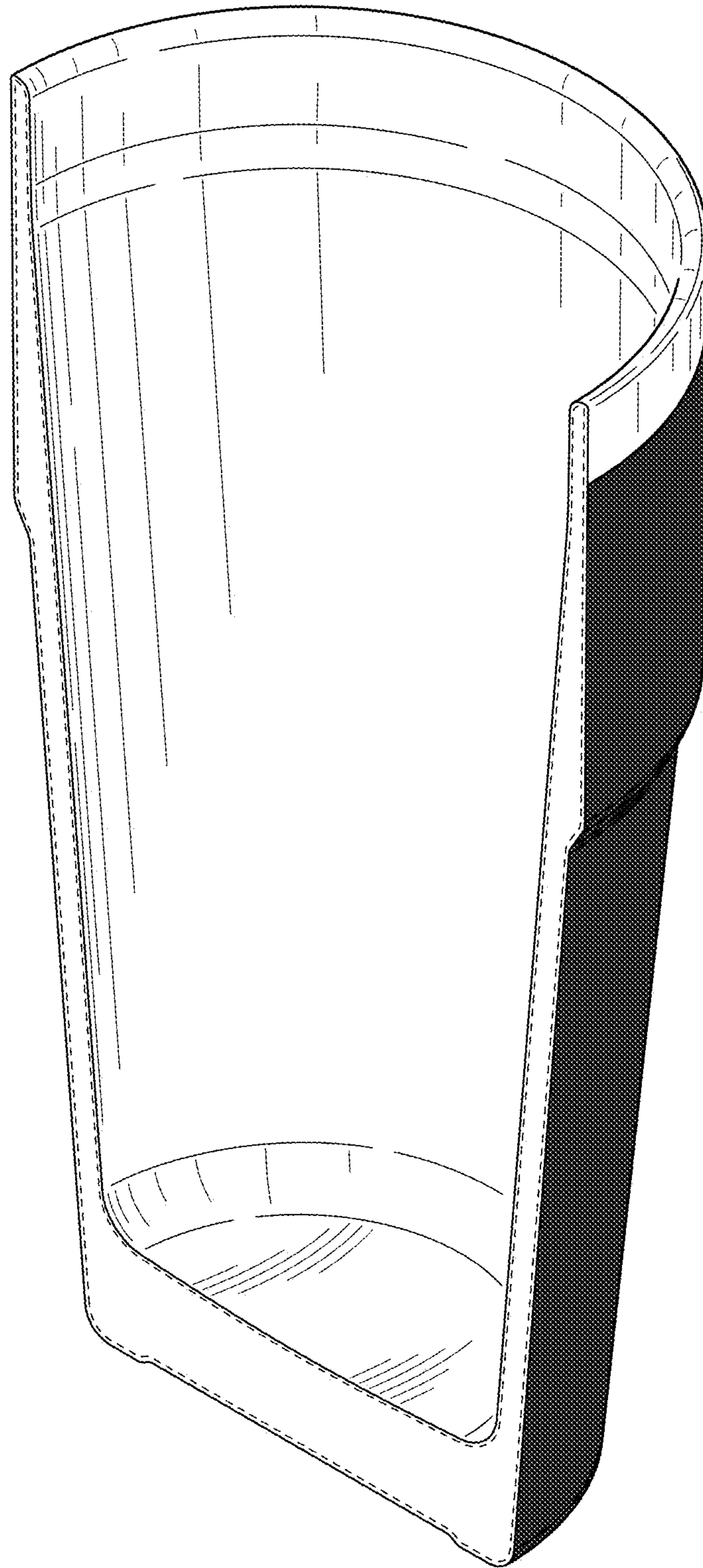


FIG. 17

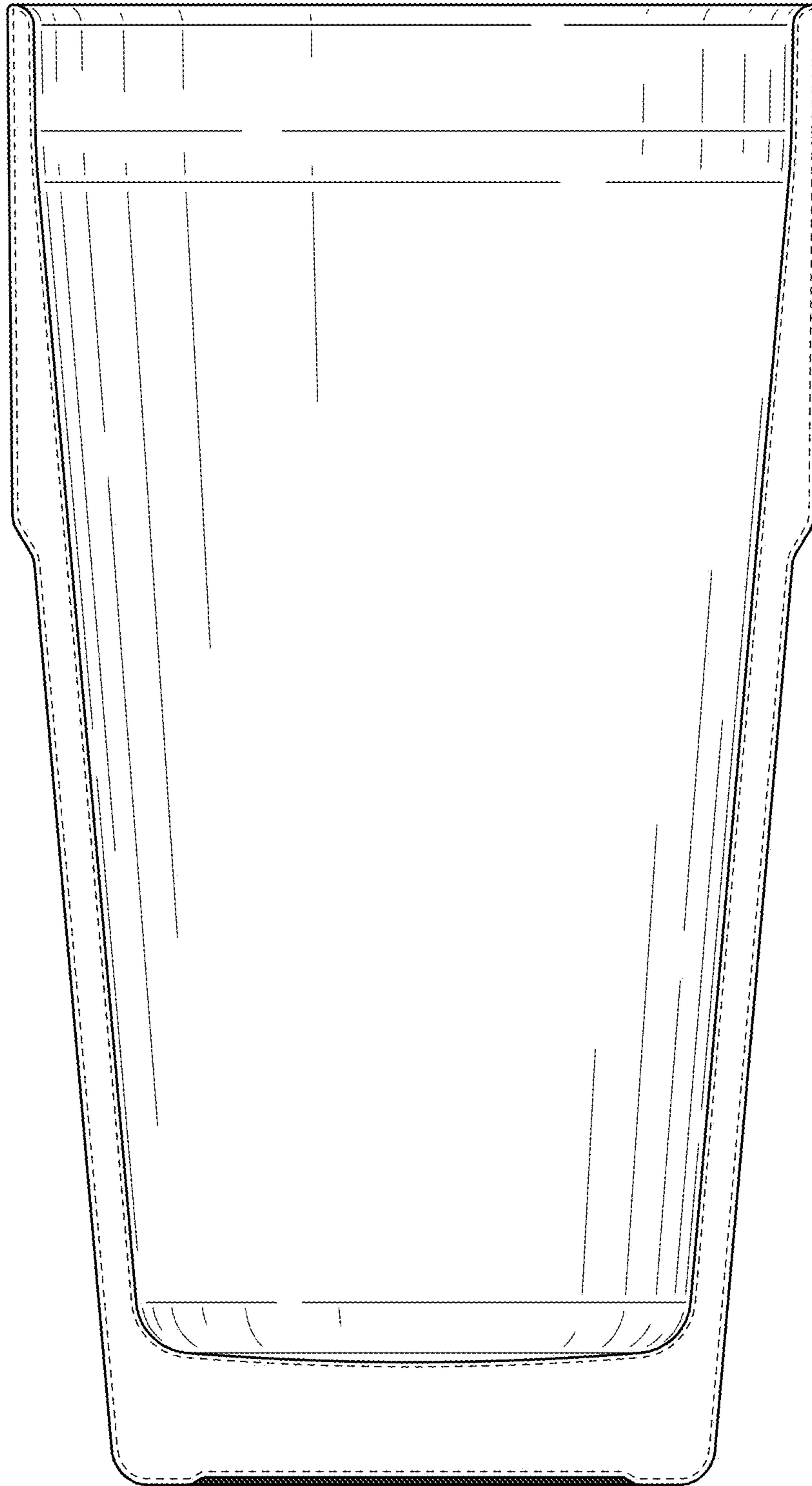


FIG. 18

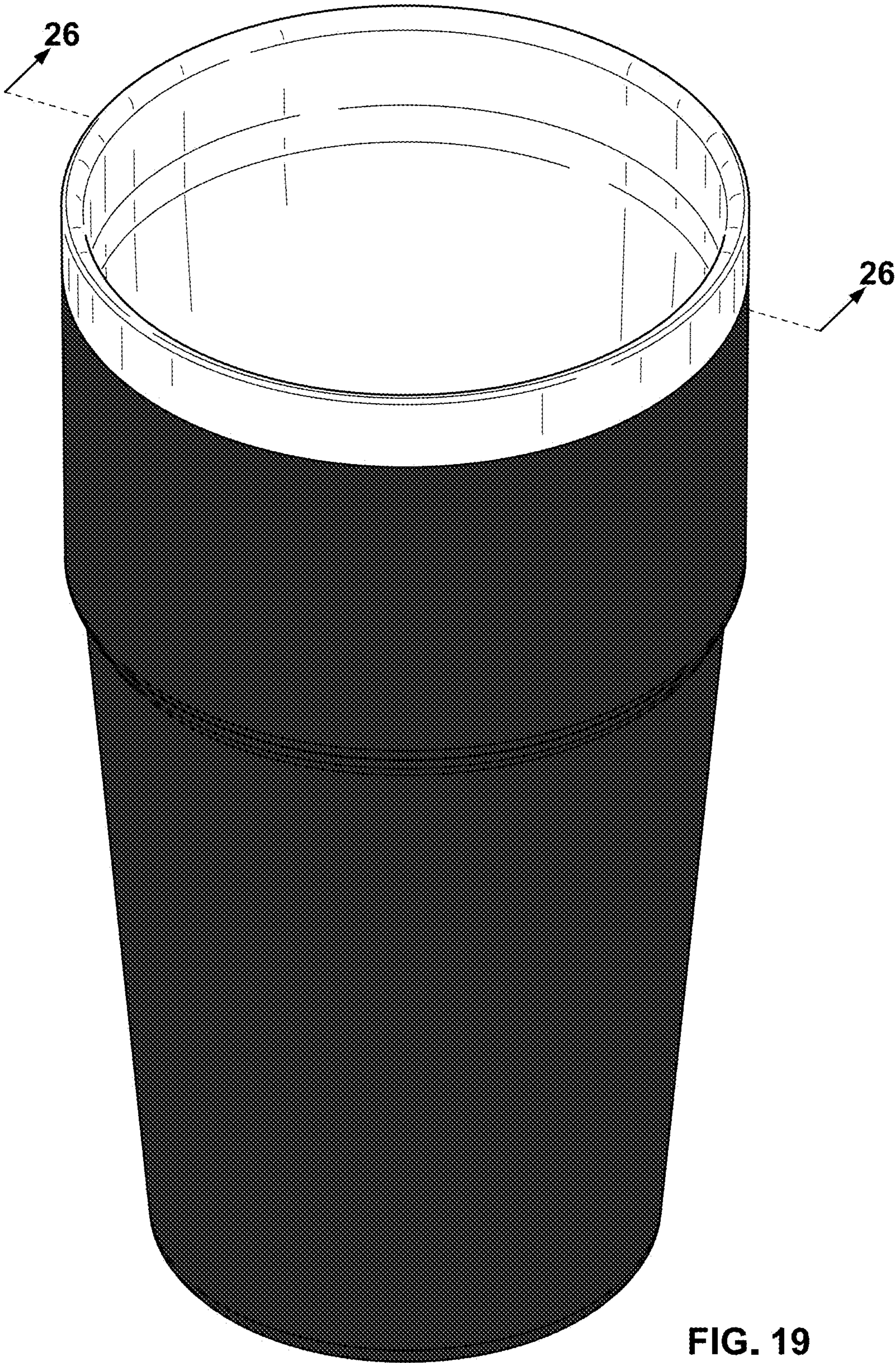


FIG. 19



FIG. 20



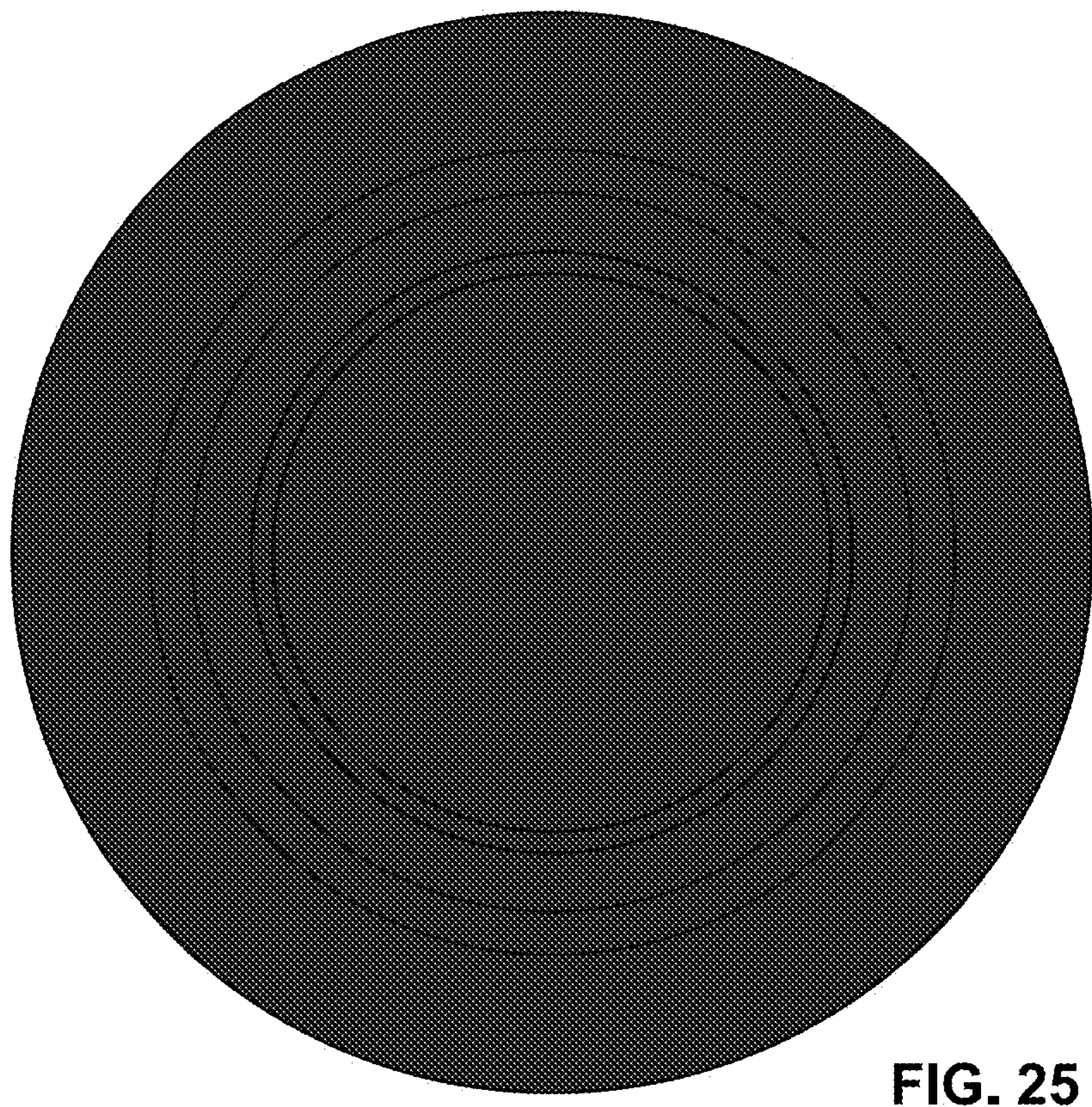
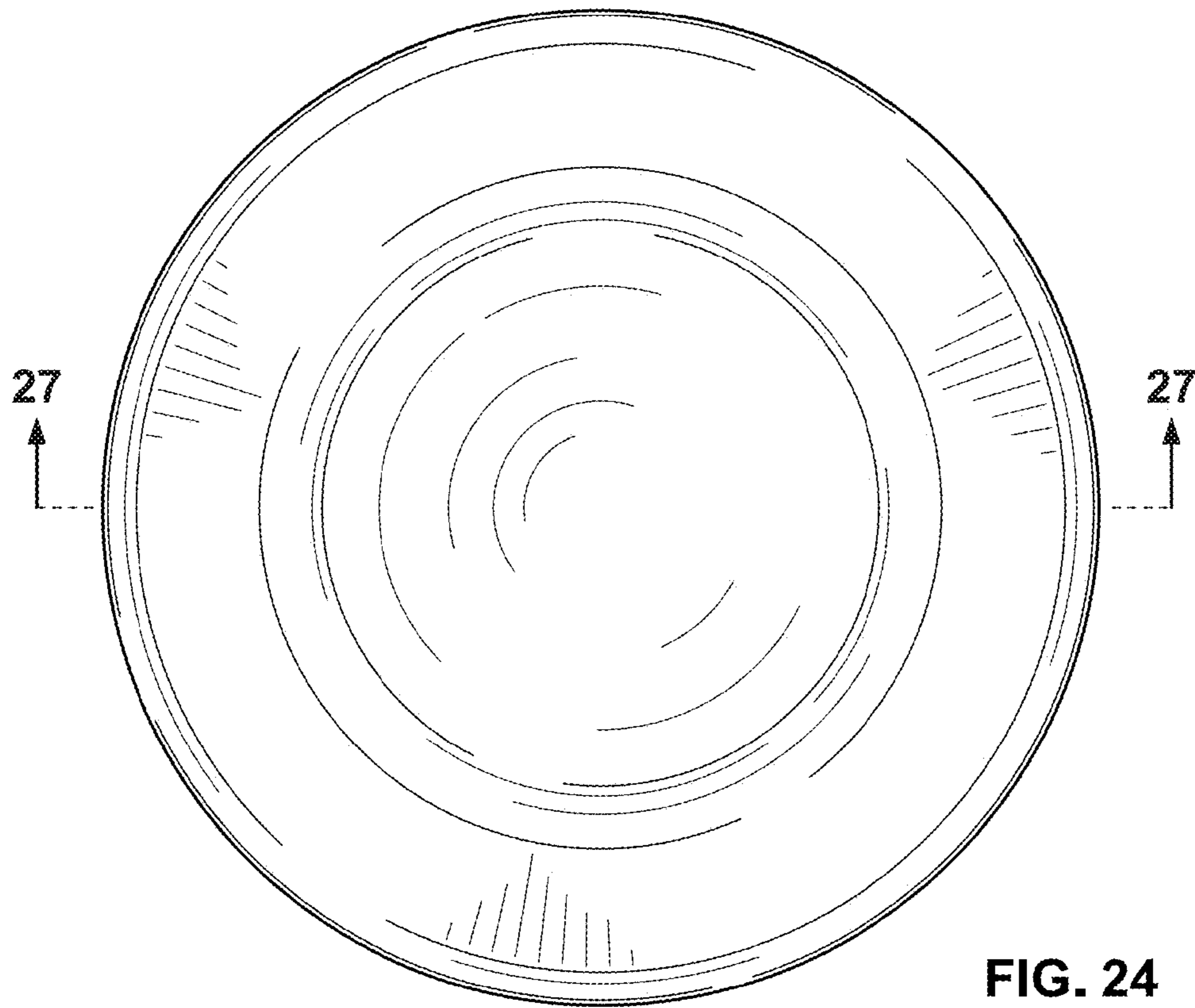
FIG. 21



FIG. 22



FIG. 23



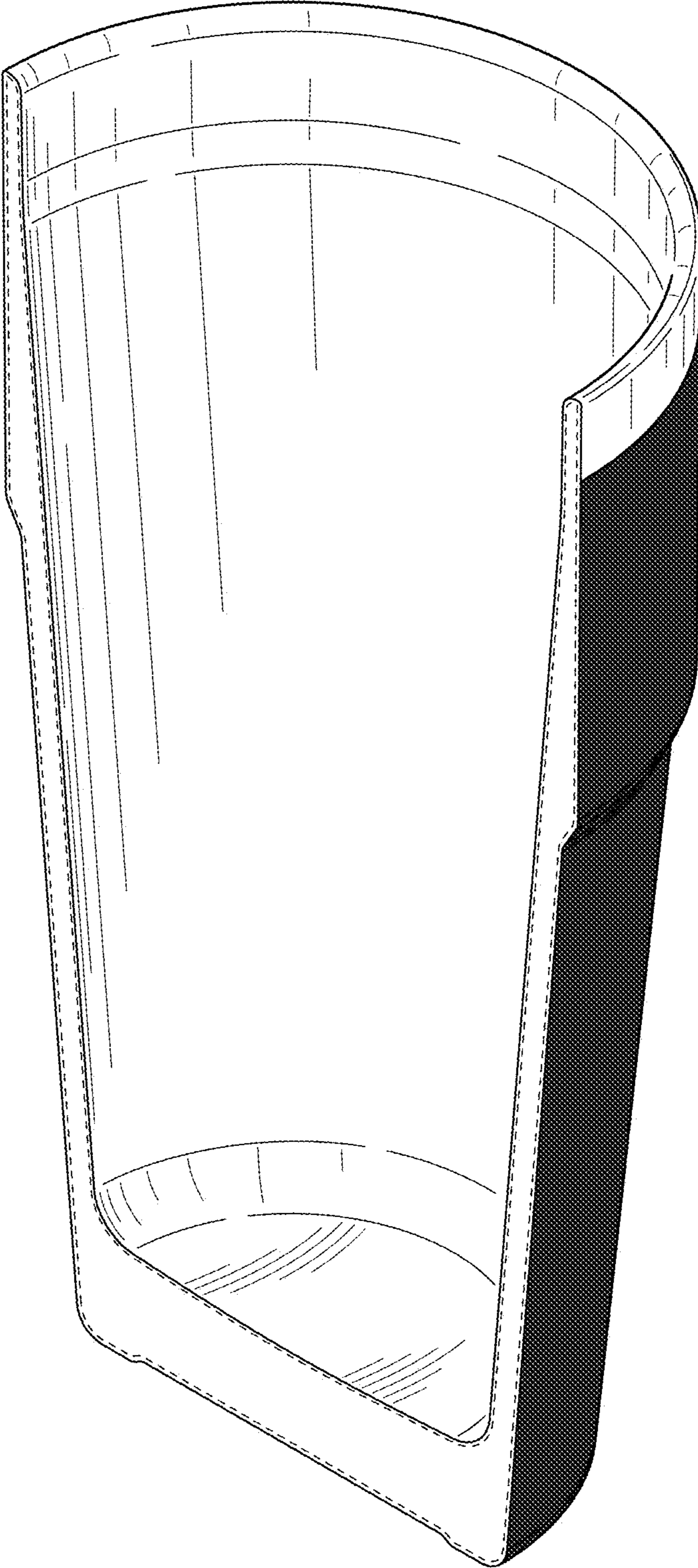


FIG. 26

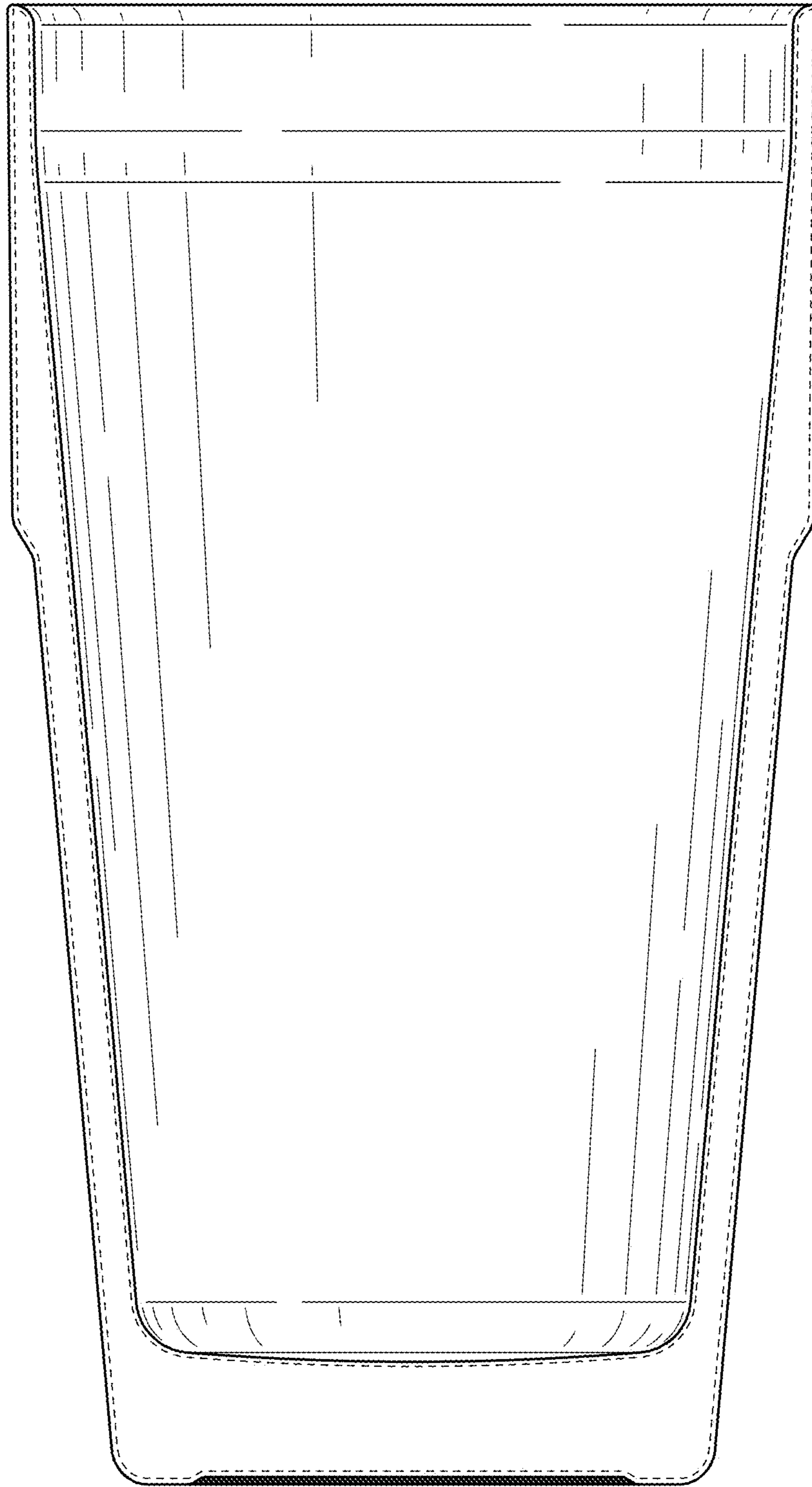


FIG. 27

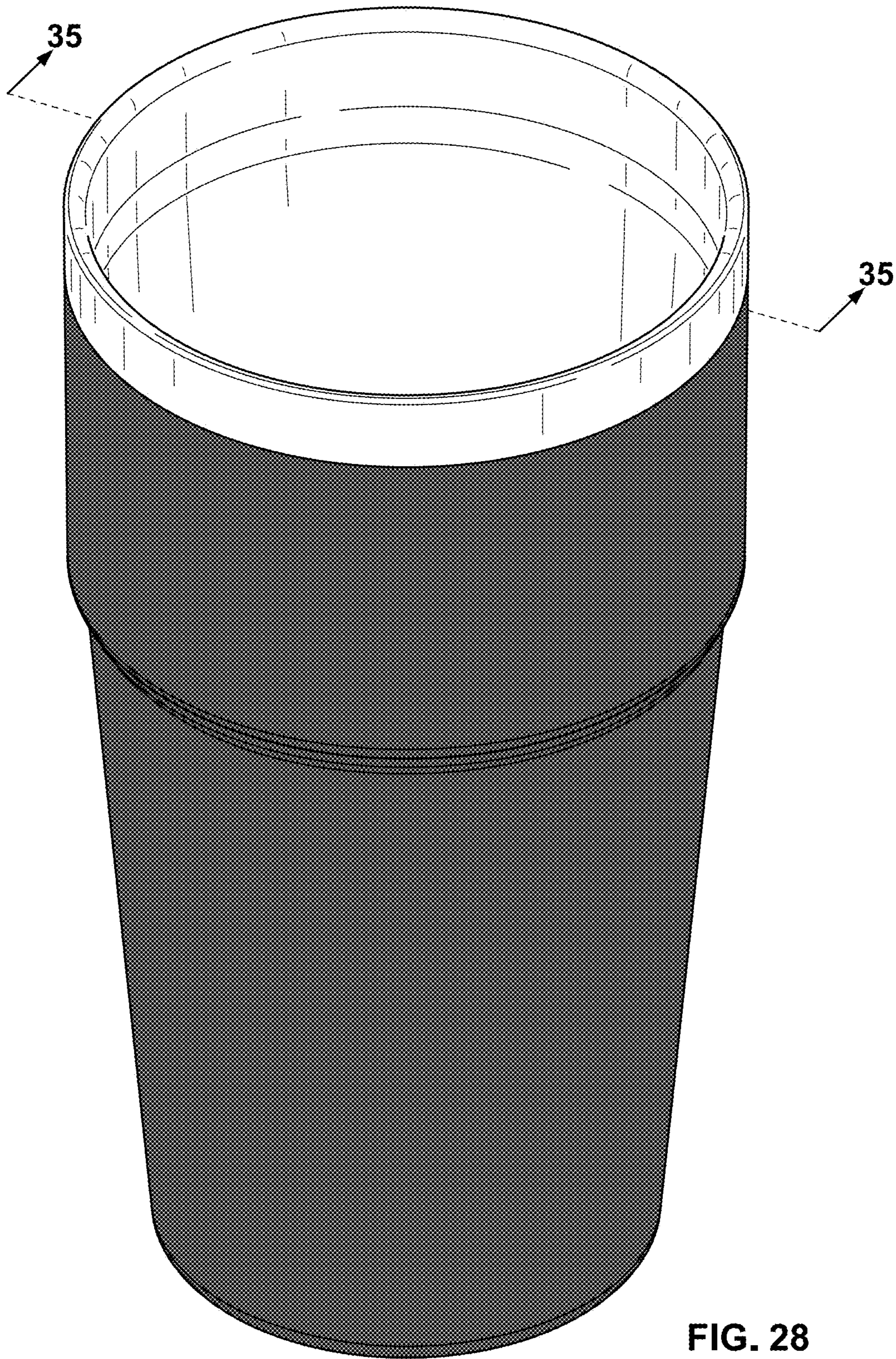


FIG. 28

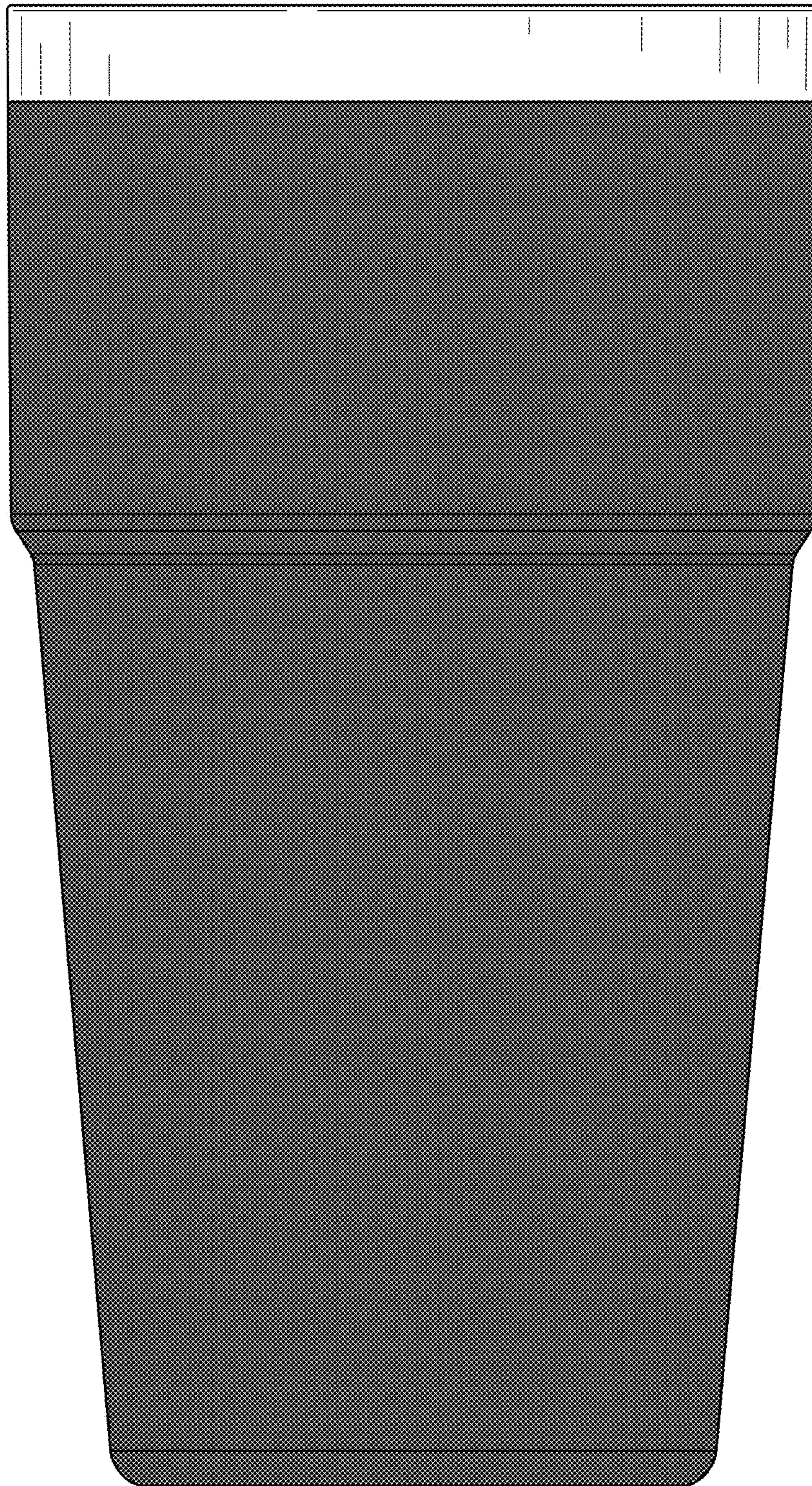


FIG. 29

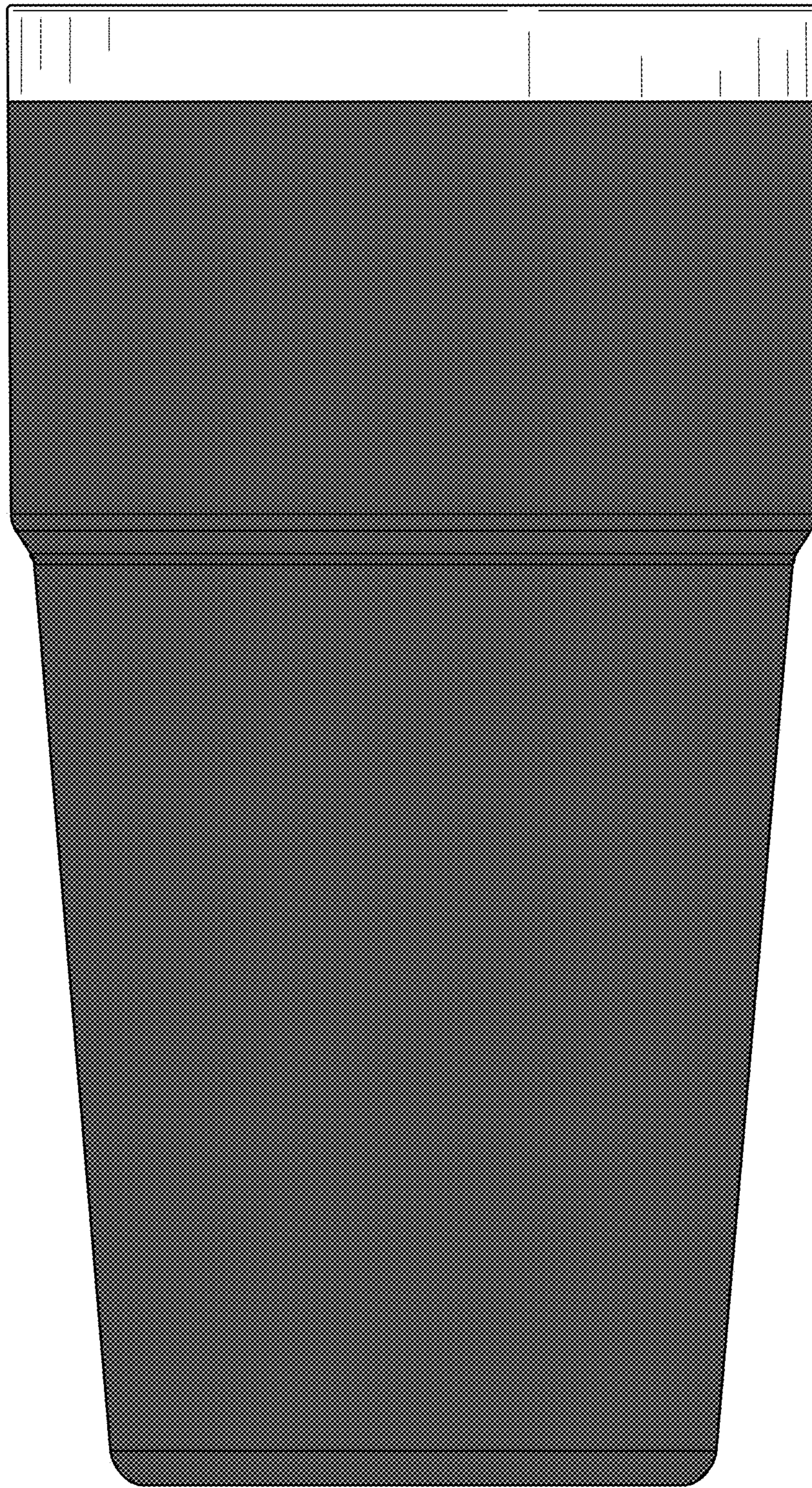


FIG. 30

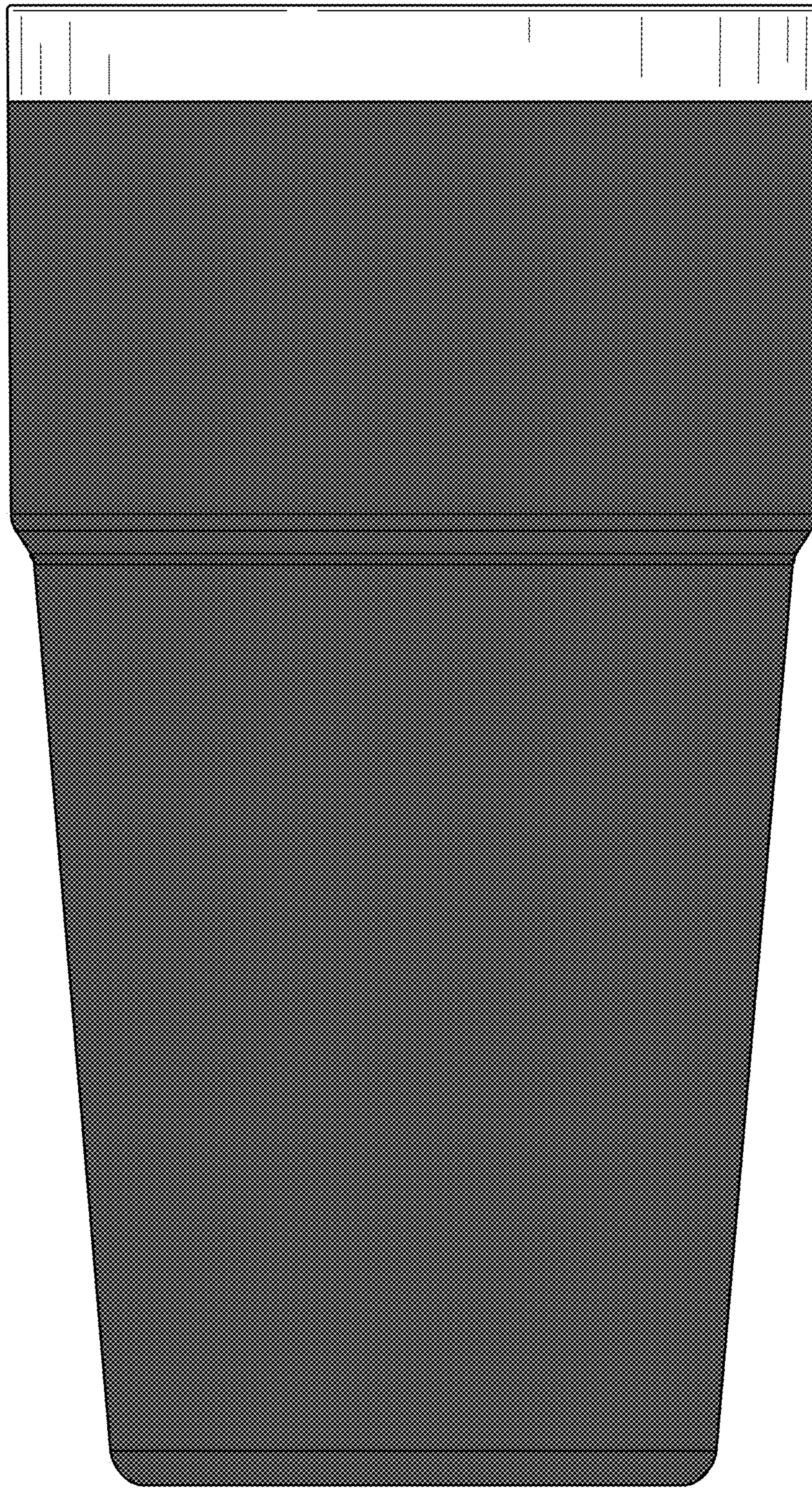


FIG. 31

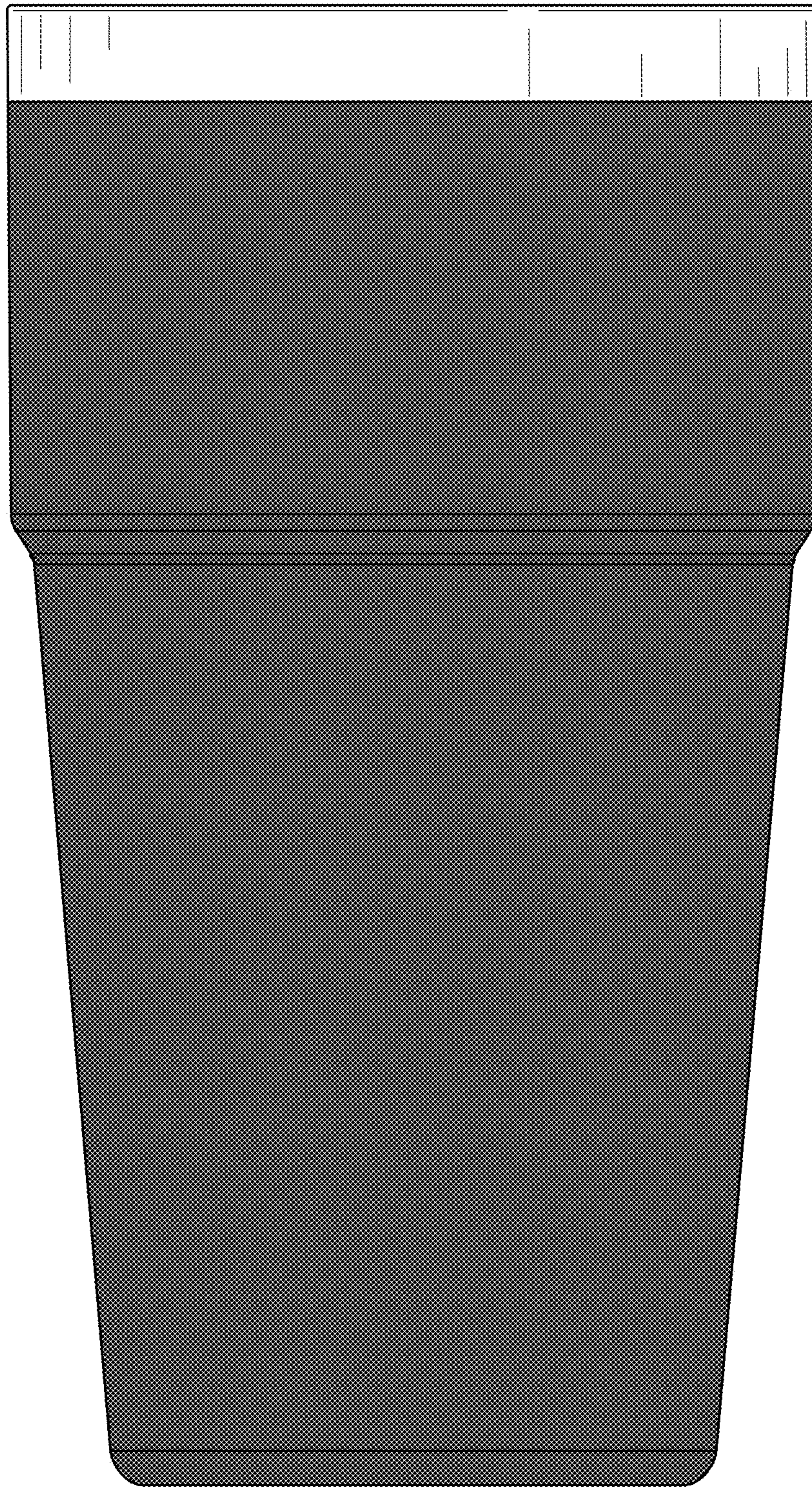


FIG. 32

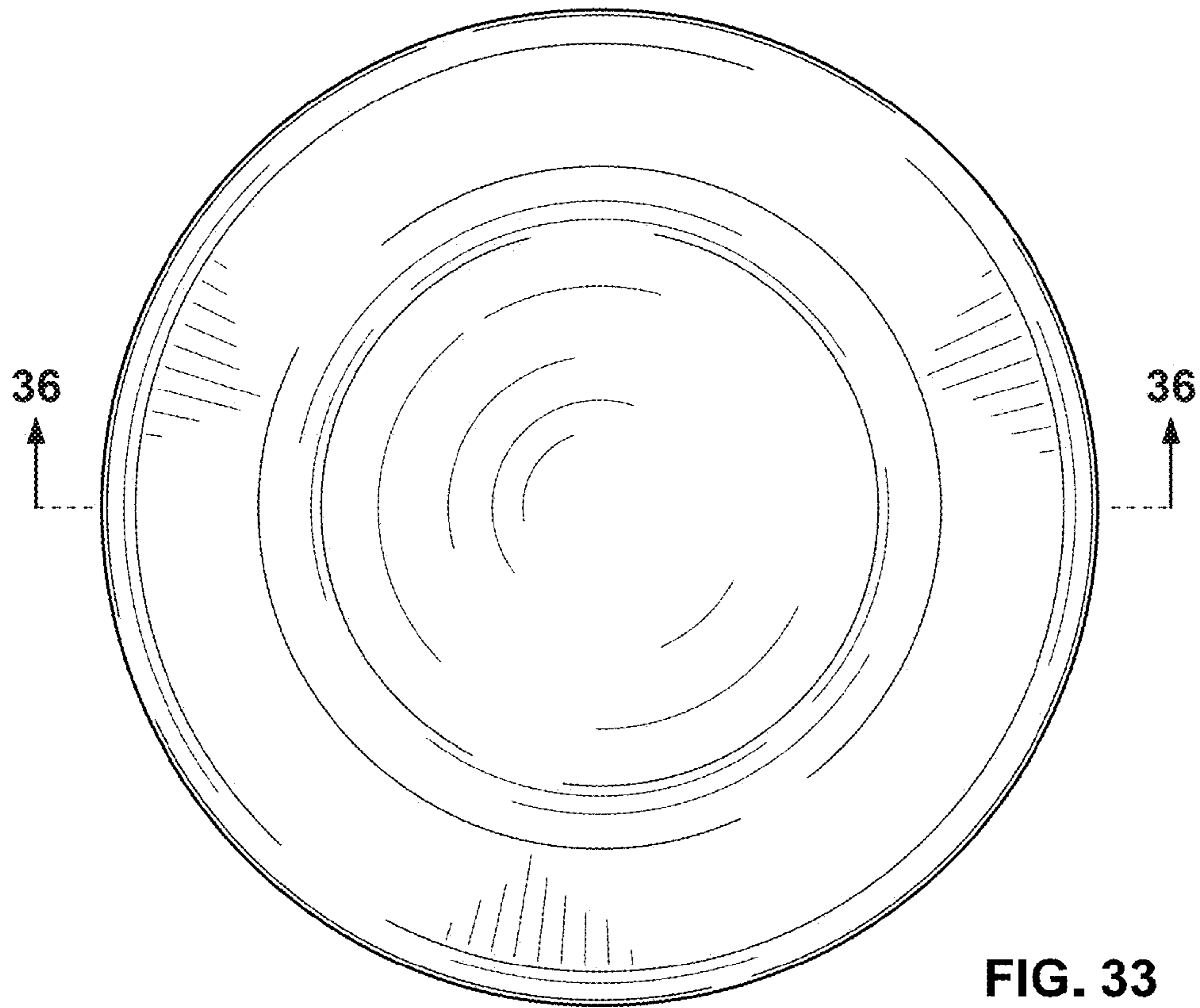


FIG. 33

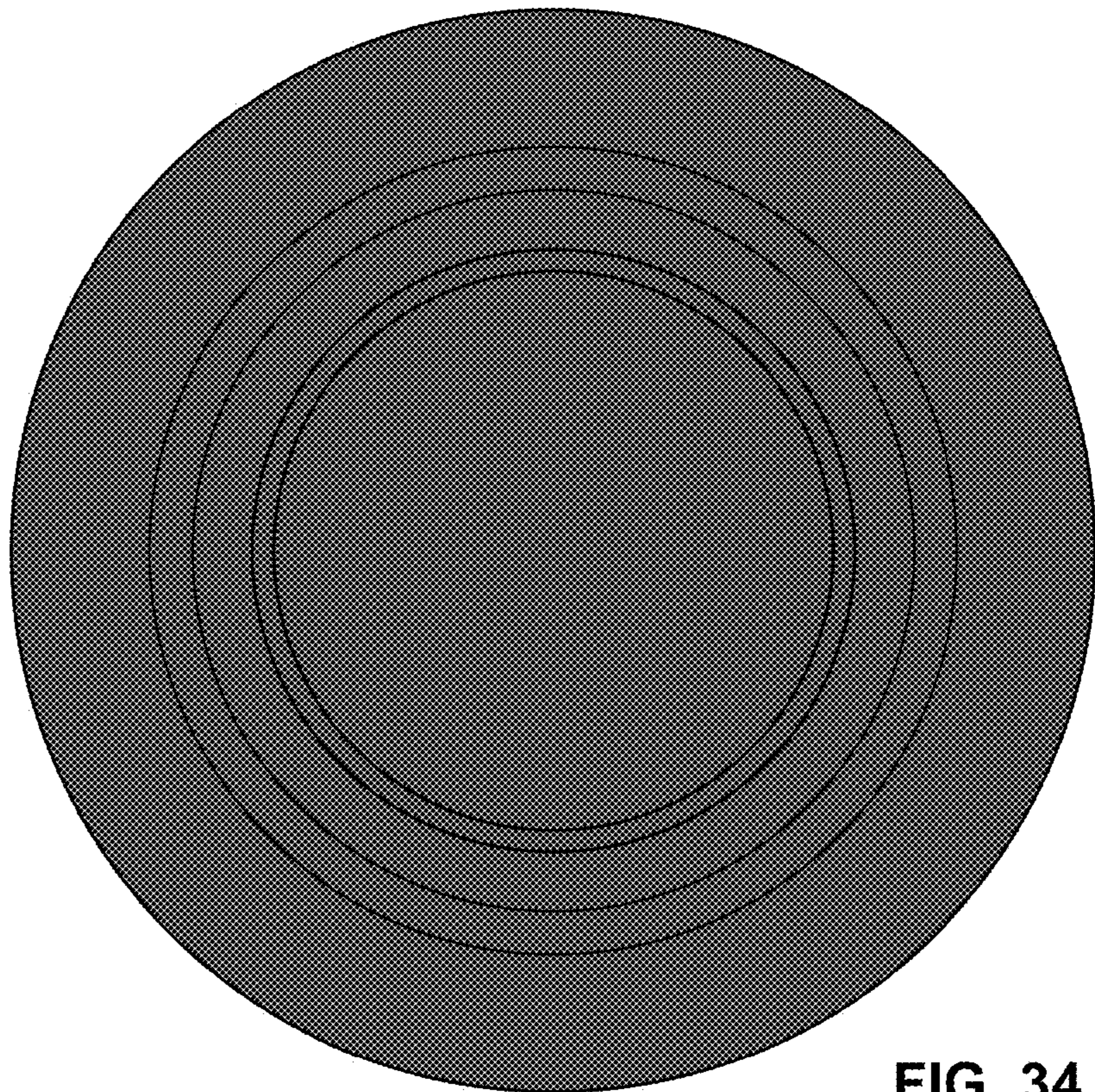


FIG. 34

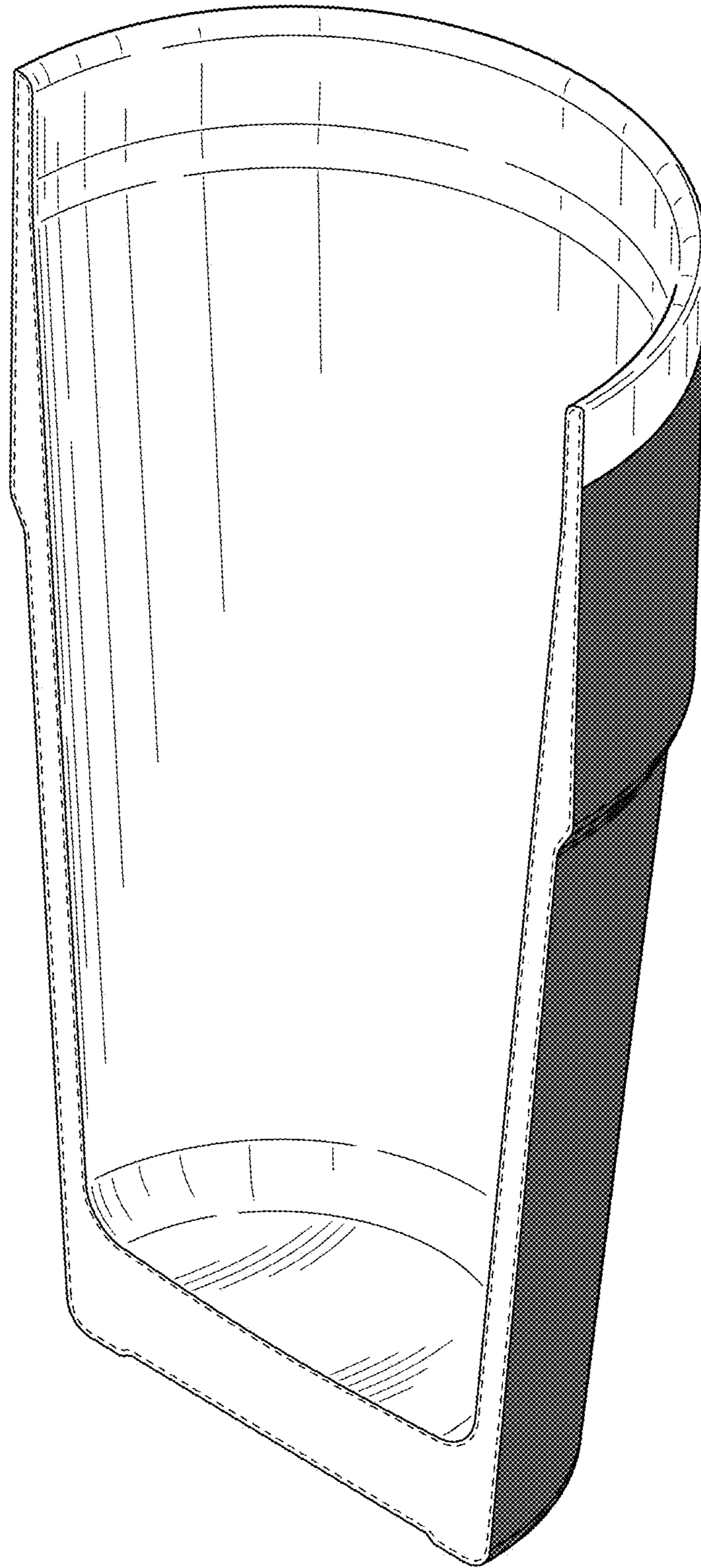


FIG. 35

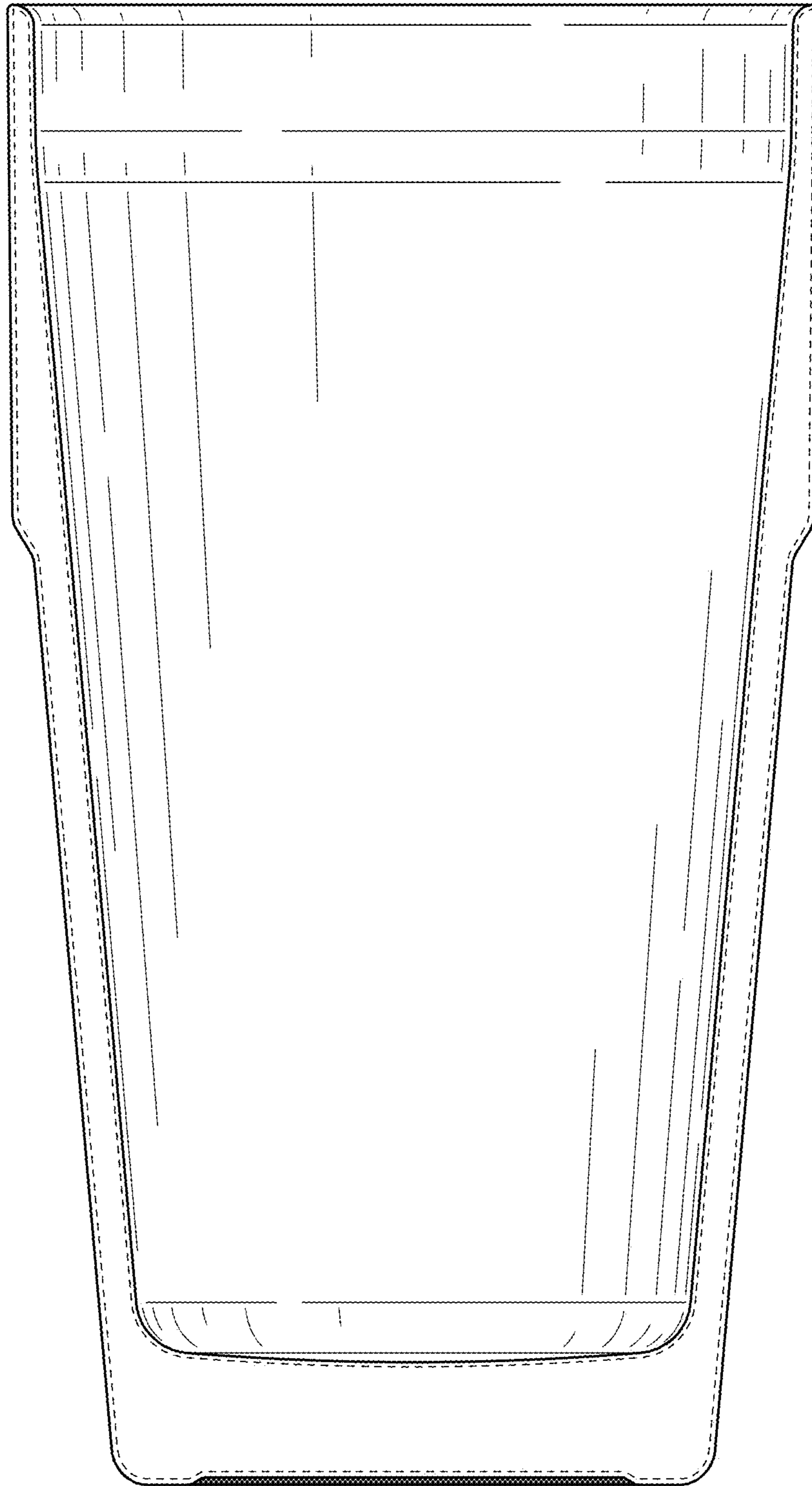


FIG. 36

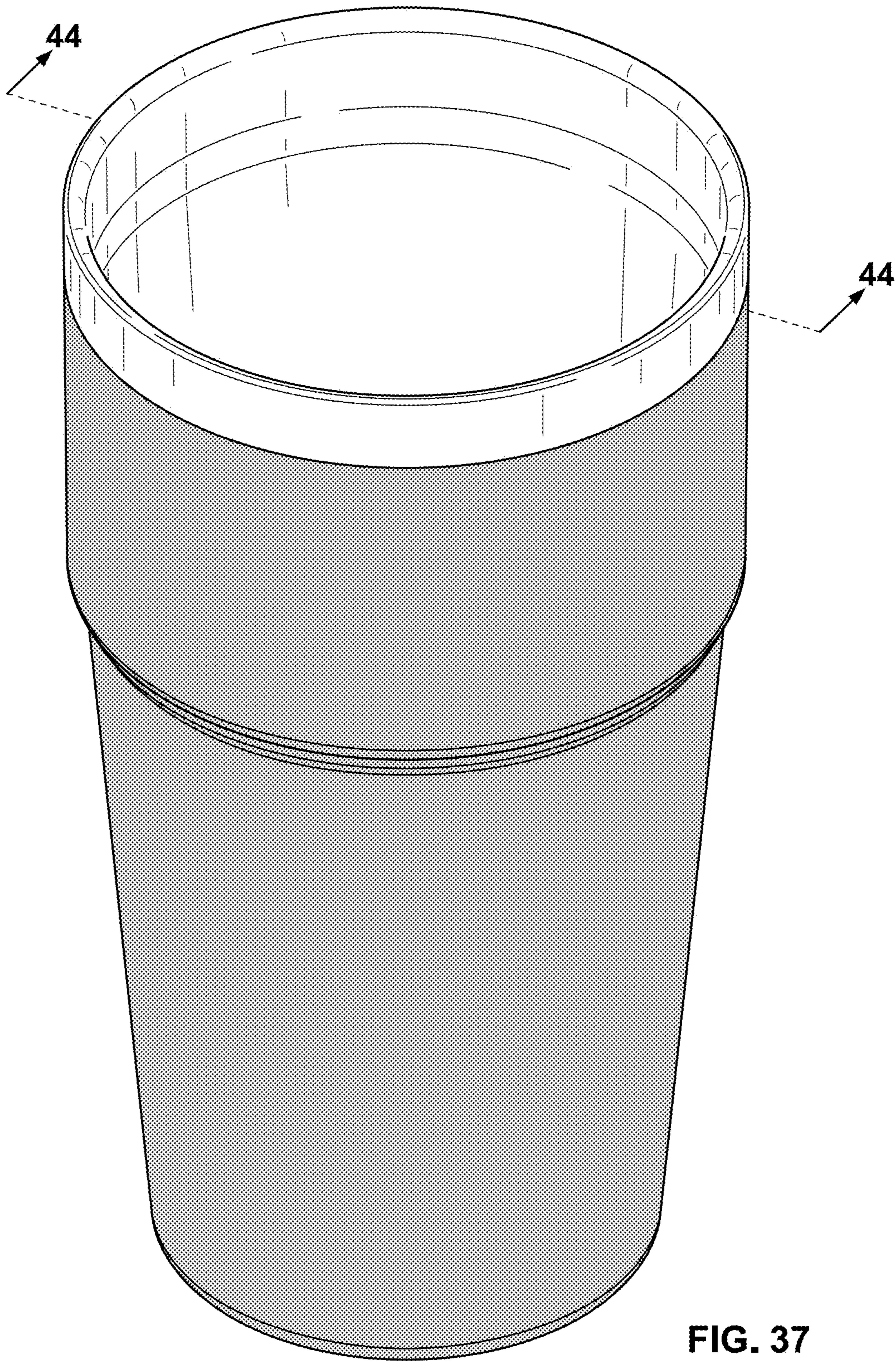


FIG. 37

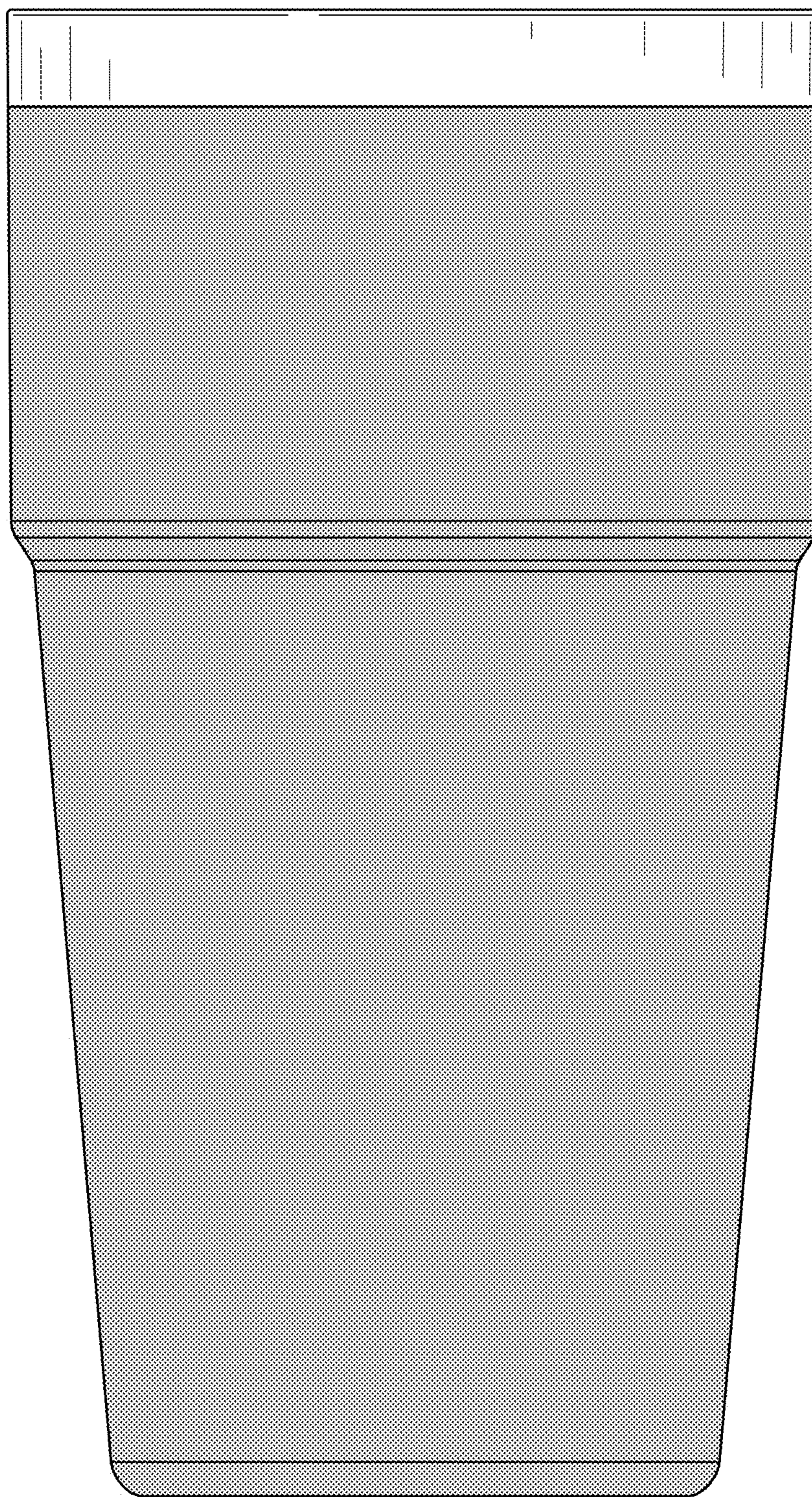


FIG. 38

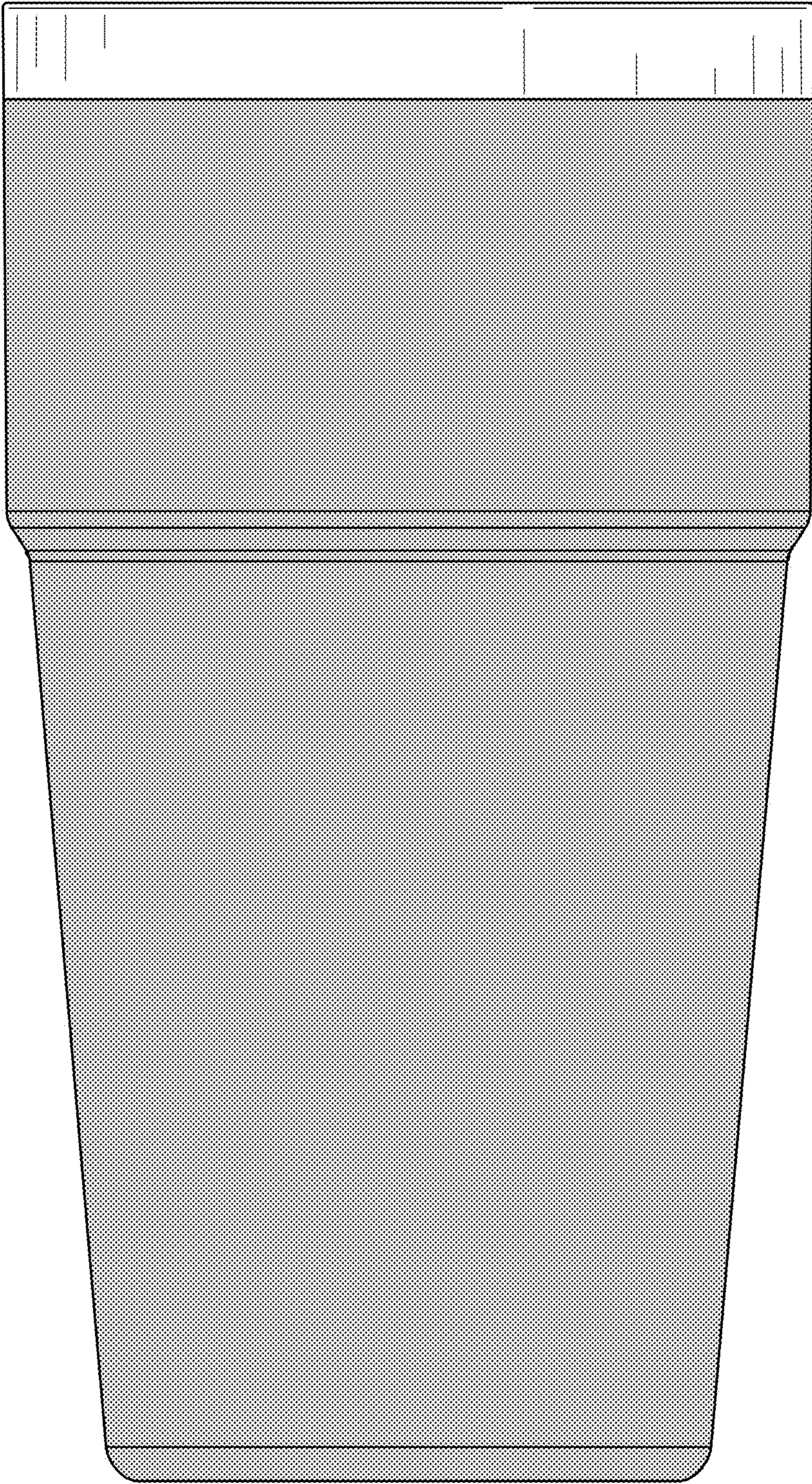


FIG. 39

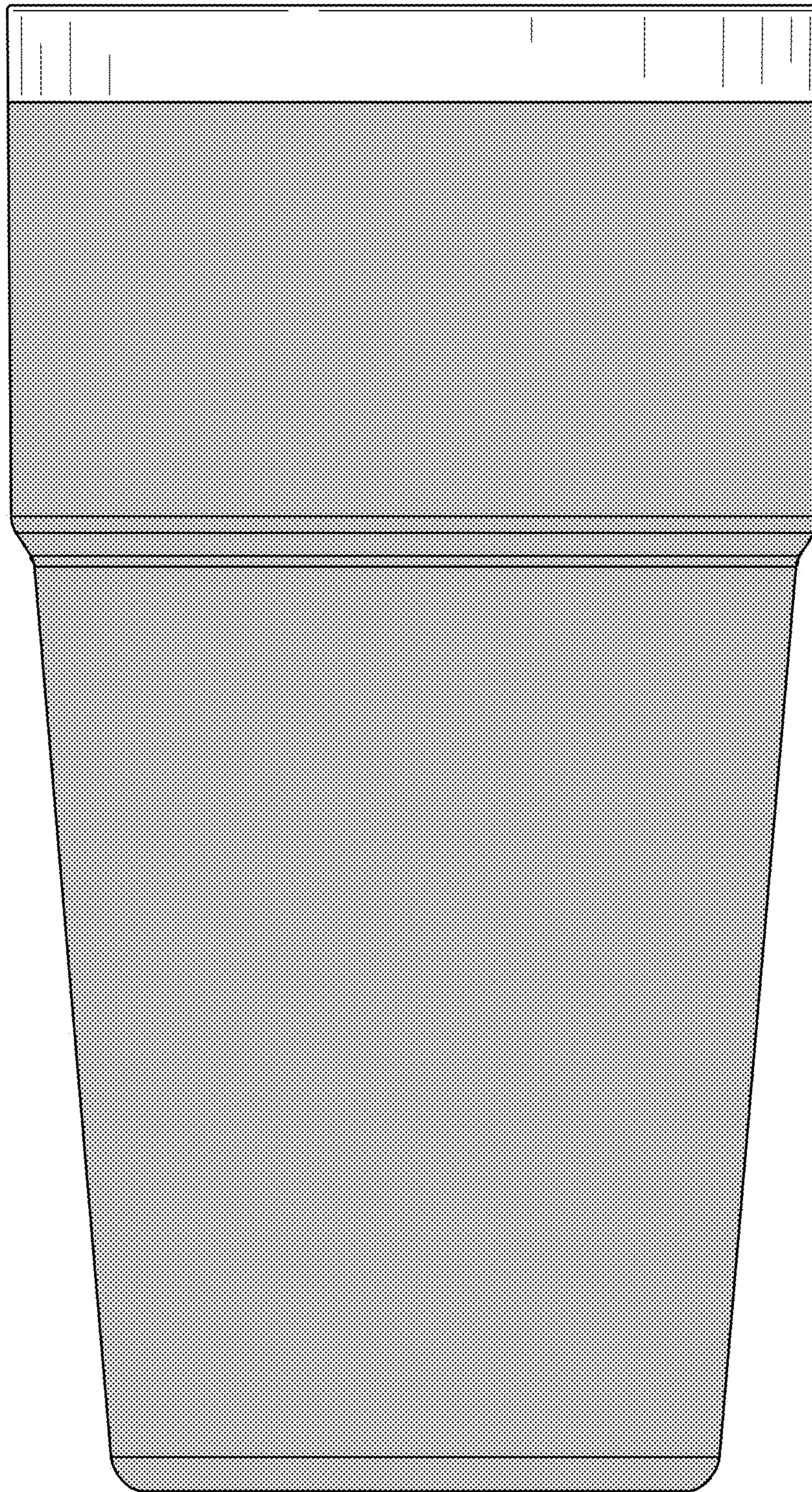


FIG. 40

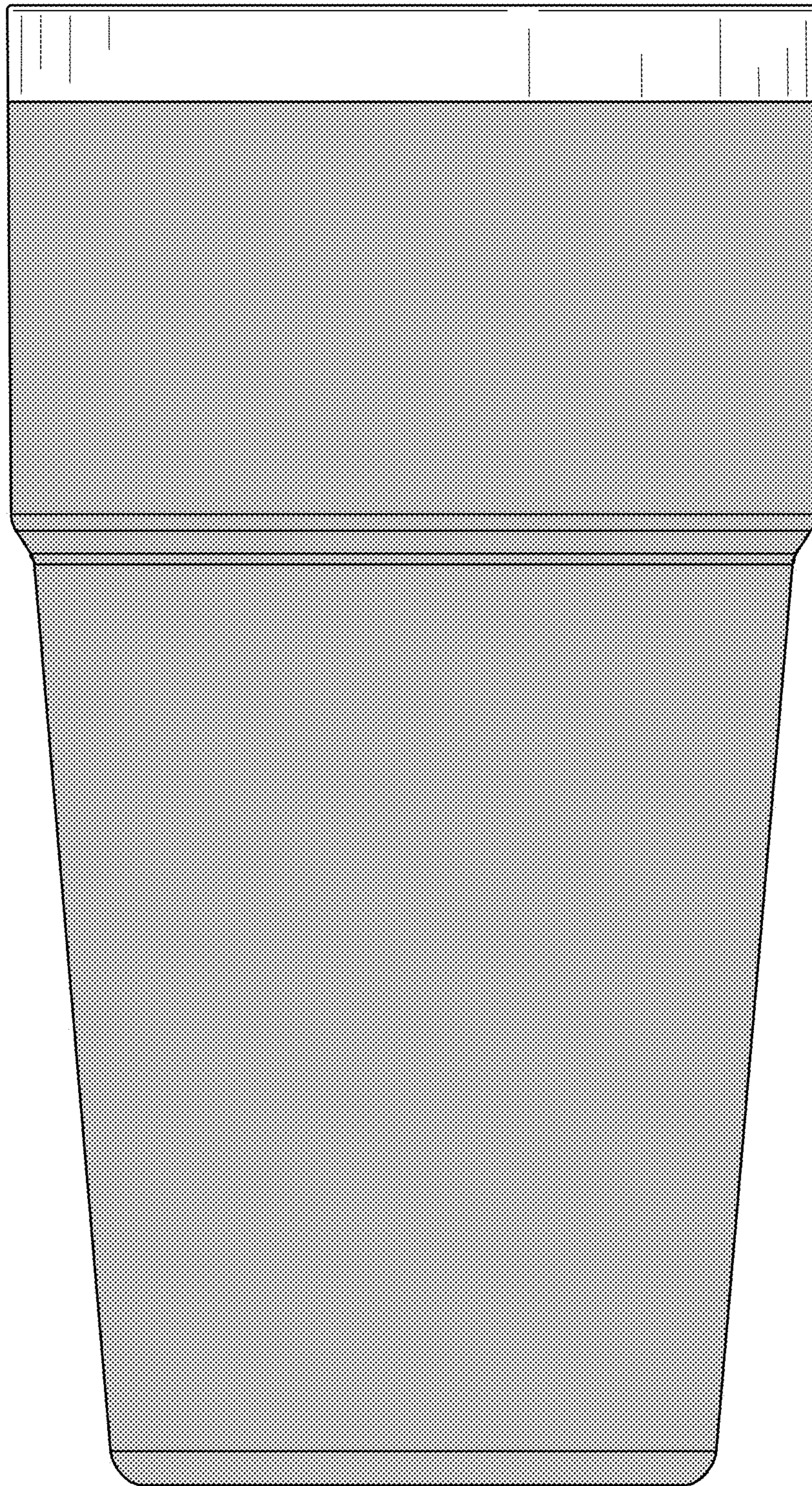


FIG. 41

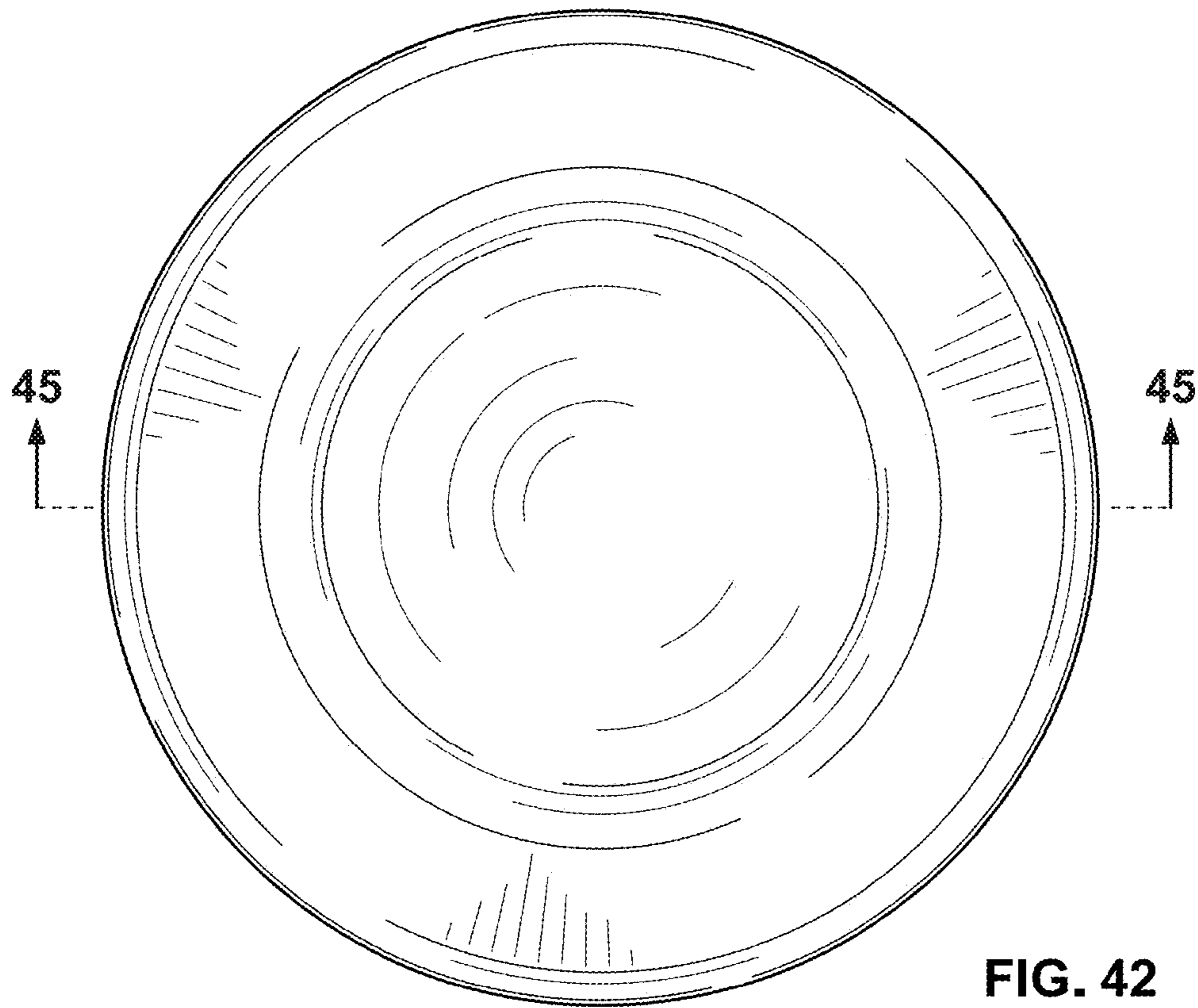


FIG. 42

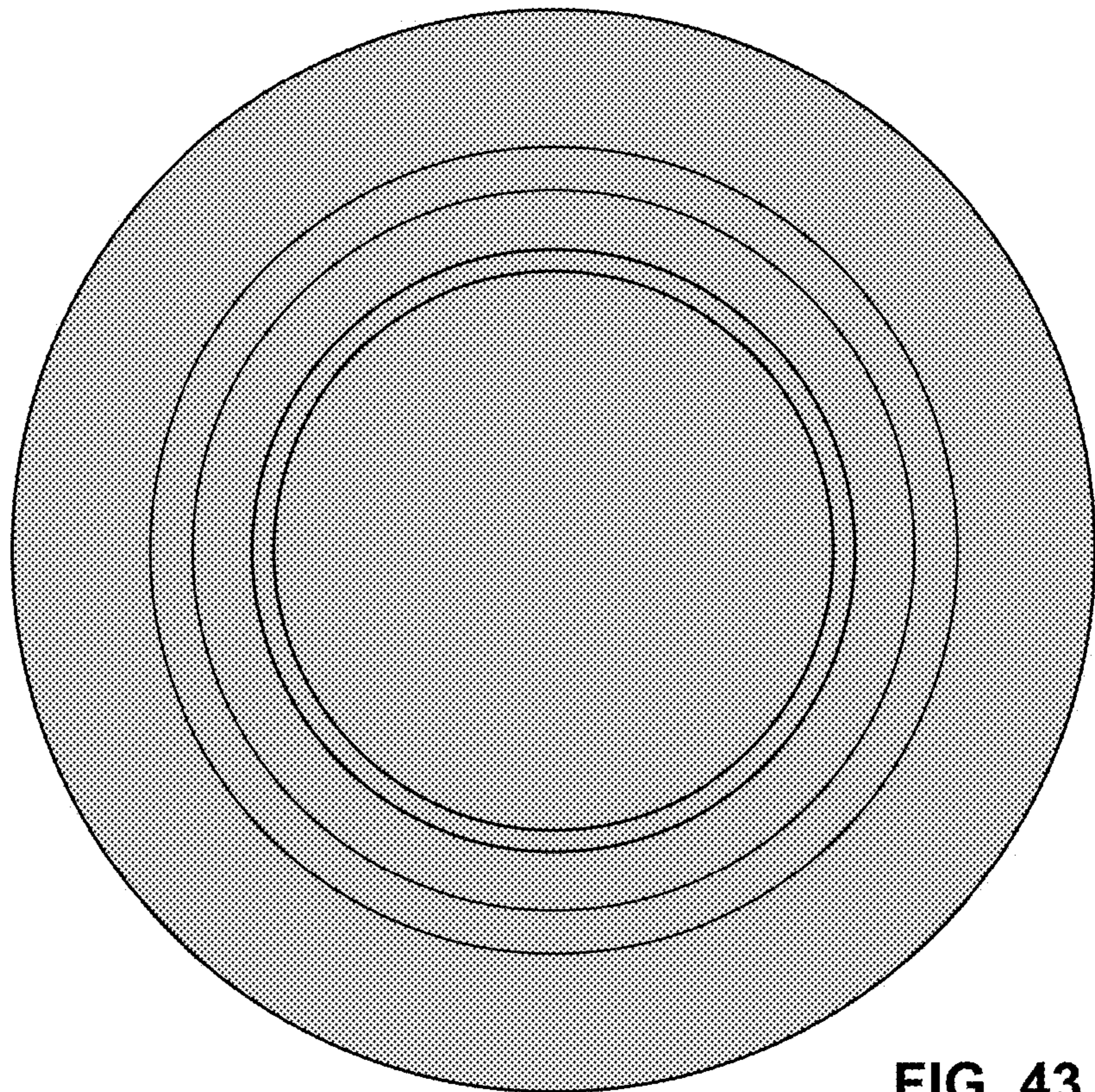


FIG. 43

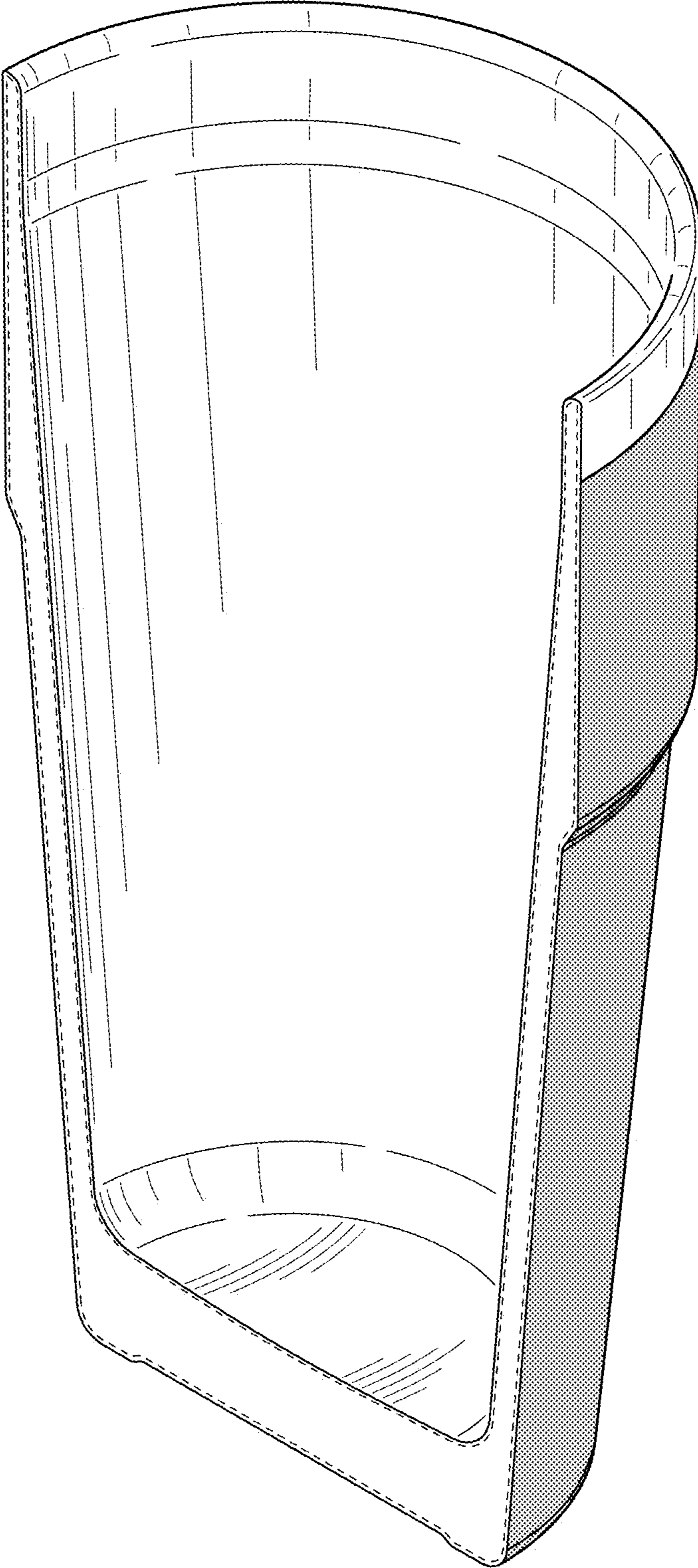


FIG. 44

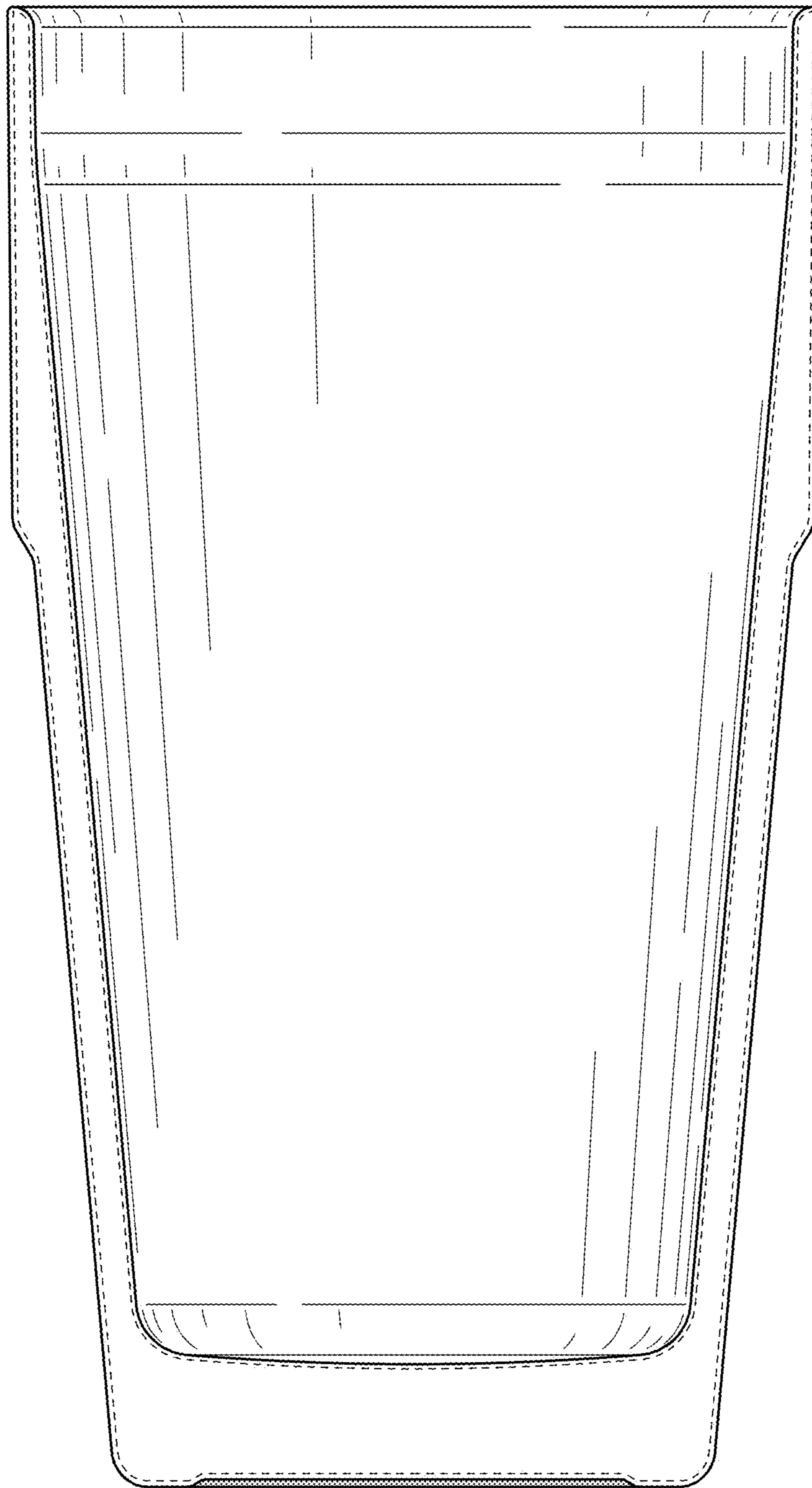


FIG. 45

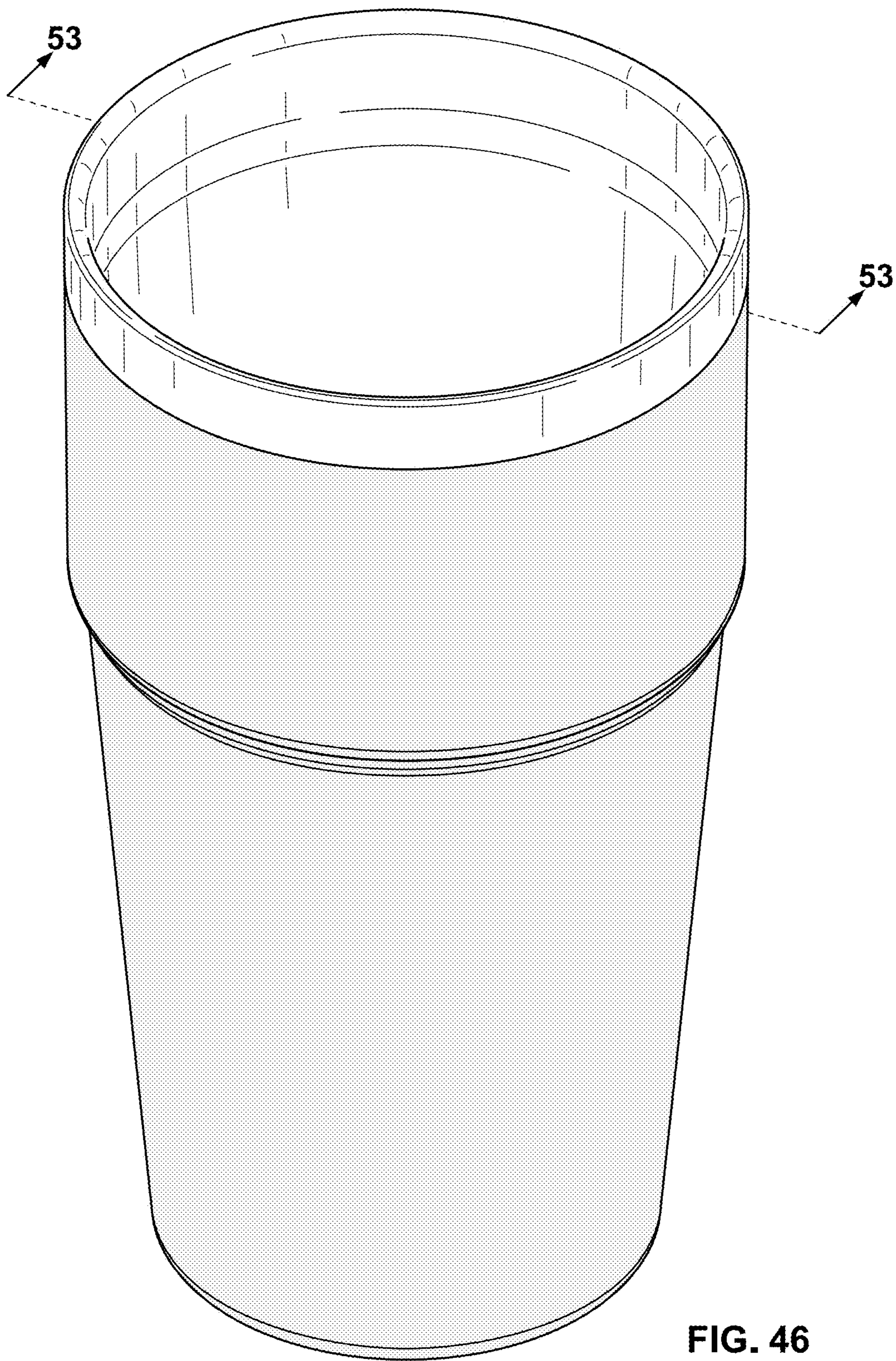


FIG. 46

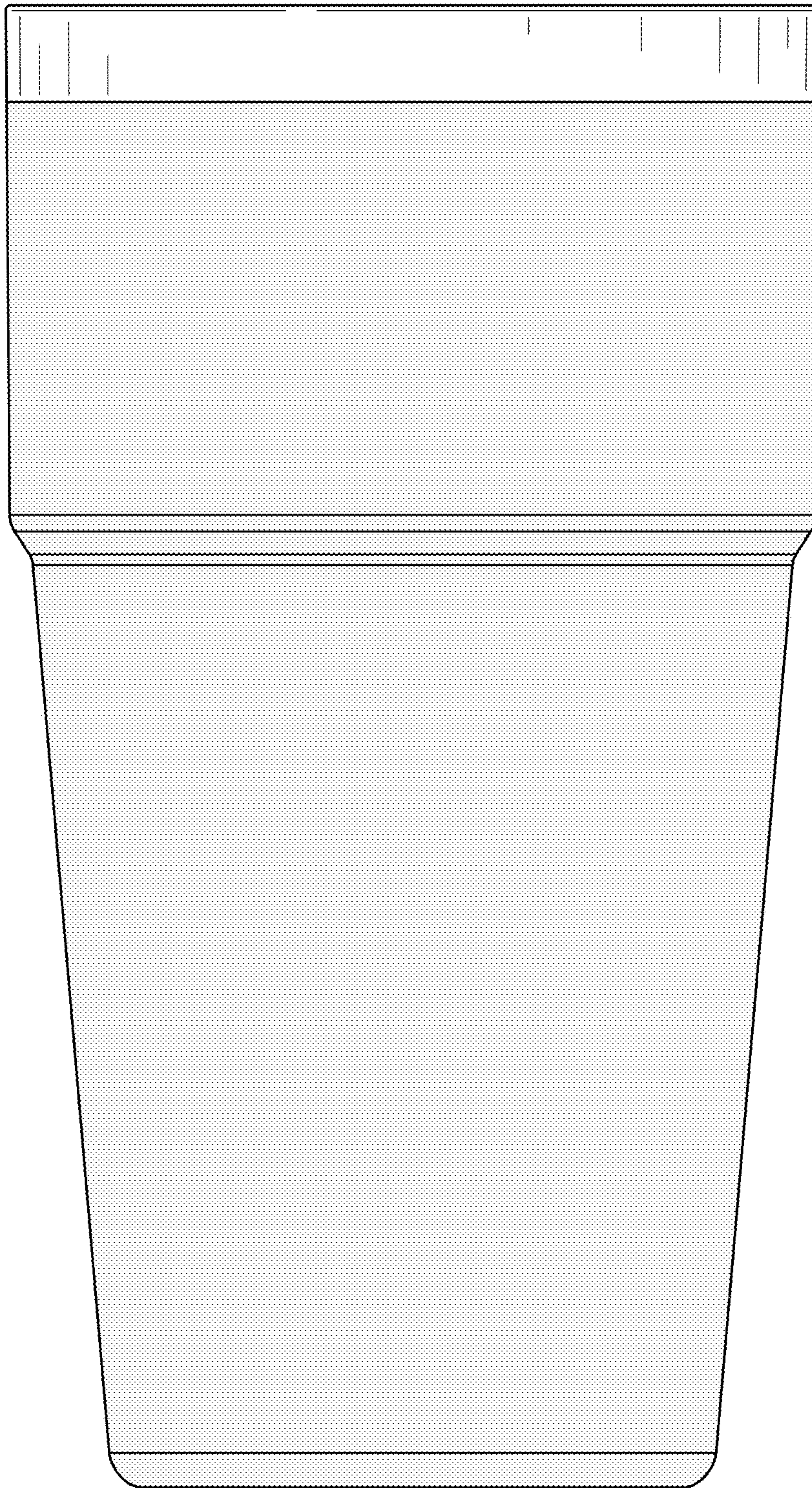


FIG. 47

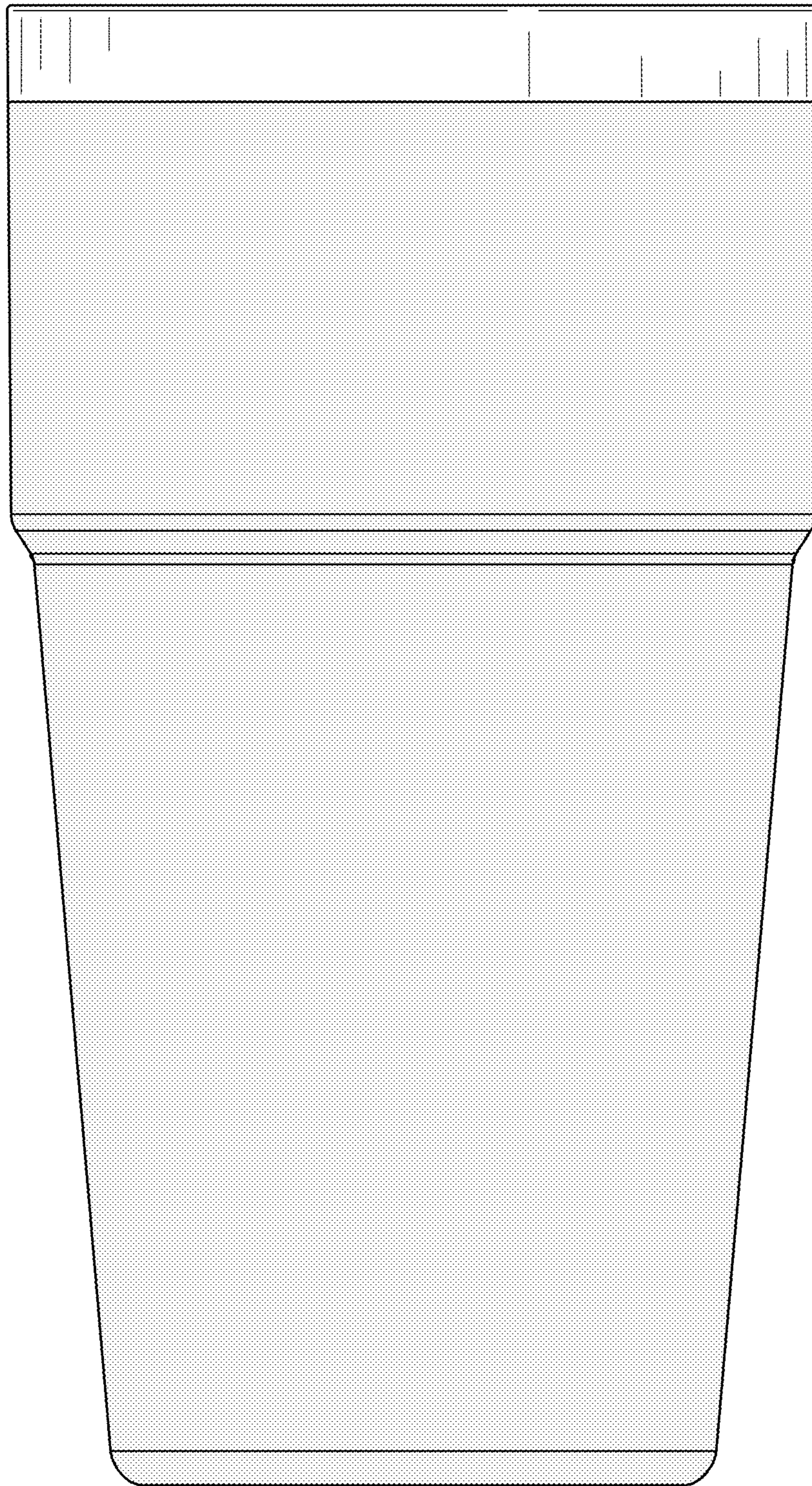


FIG. 48

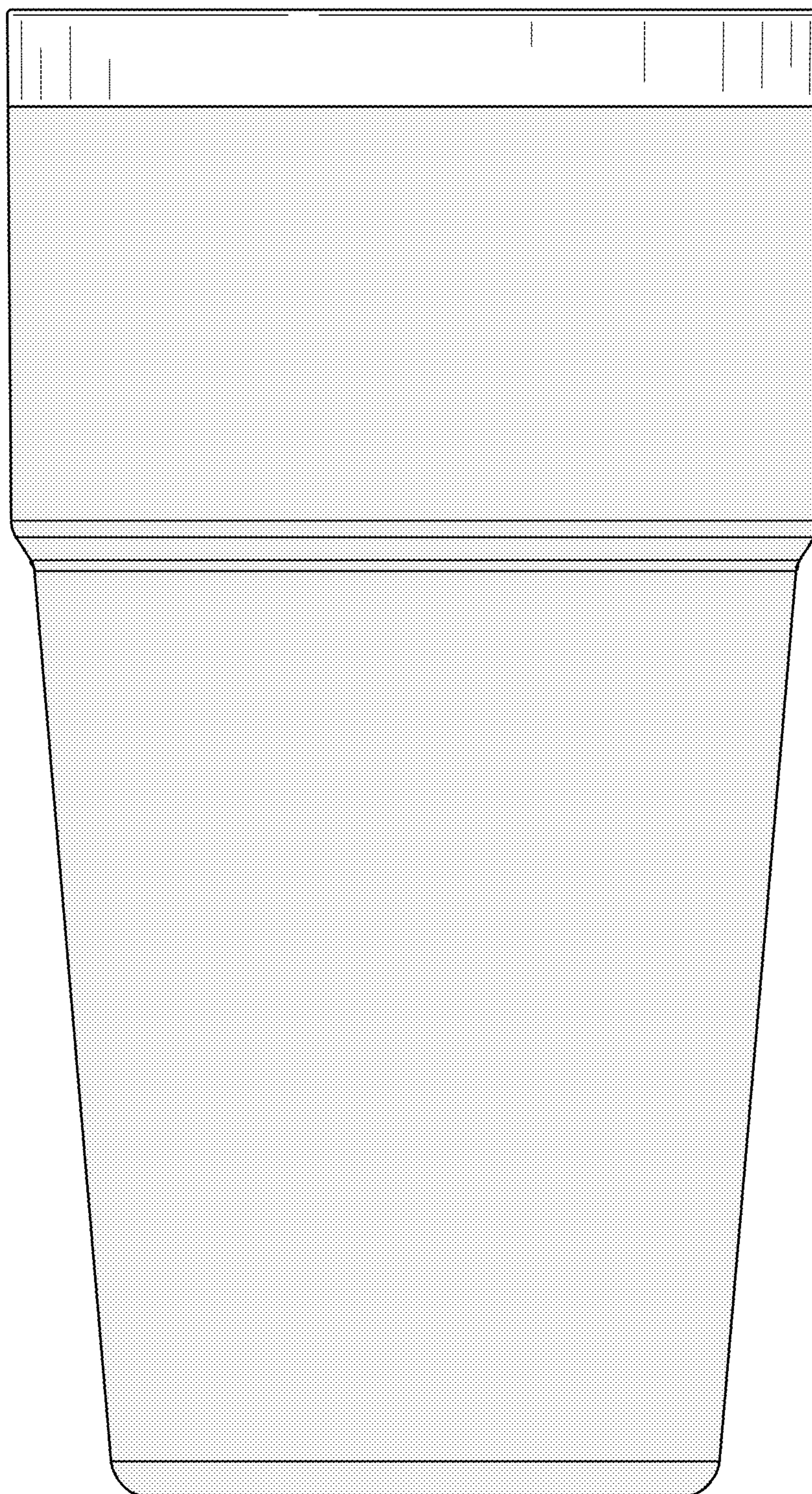


FIG. 49

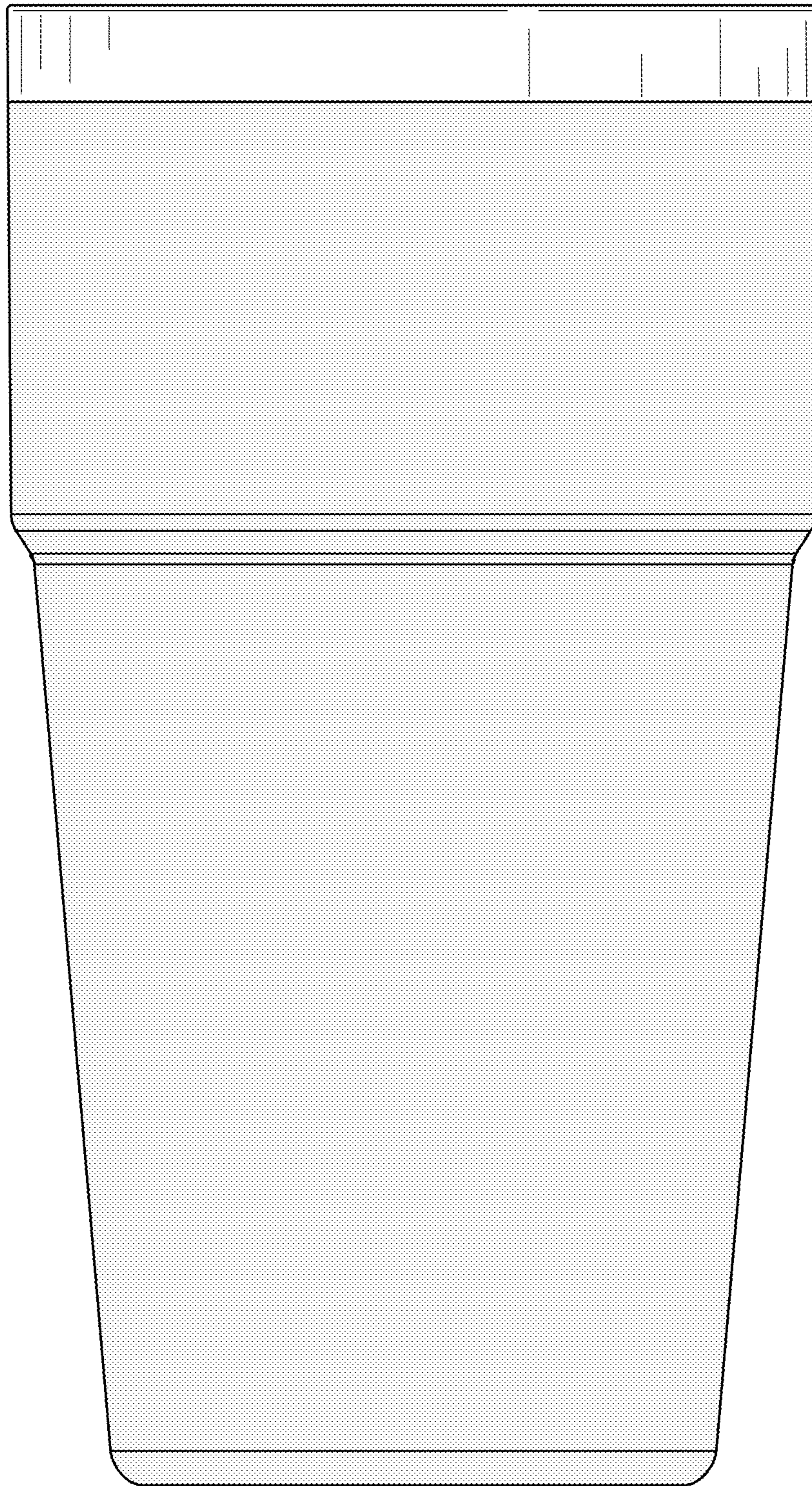


FIG. 50

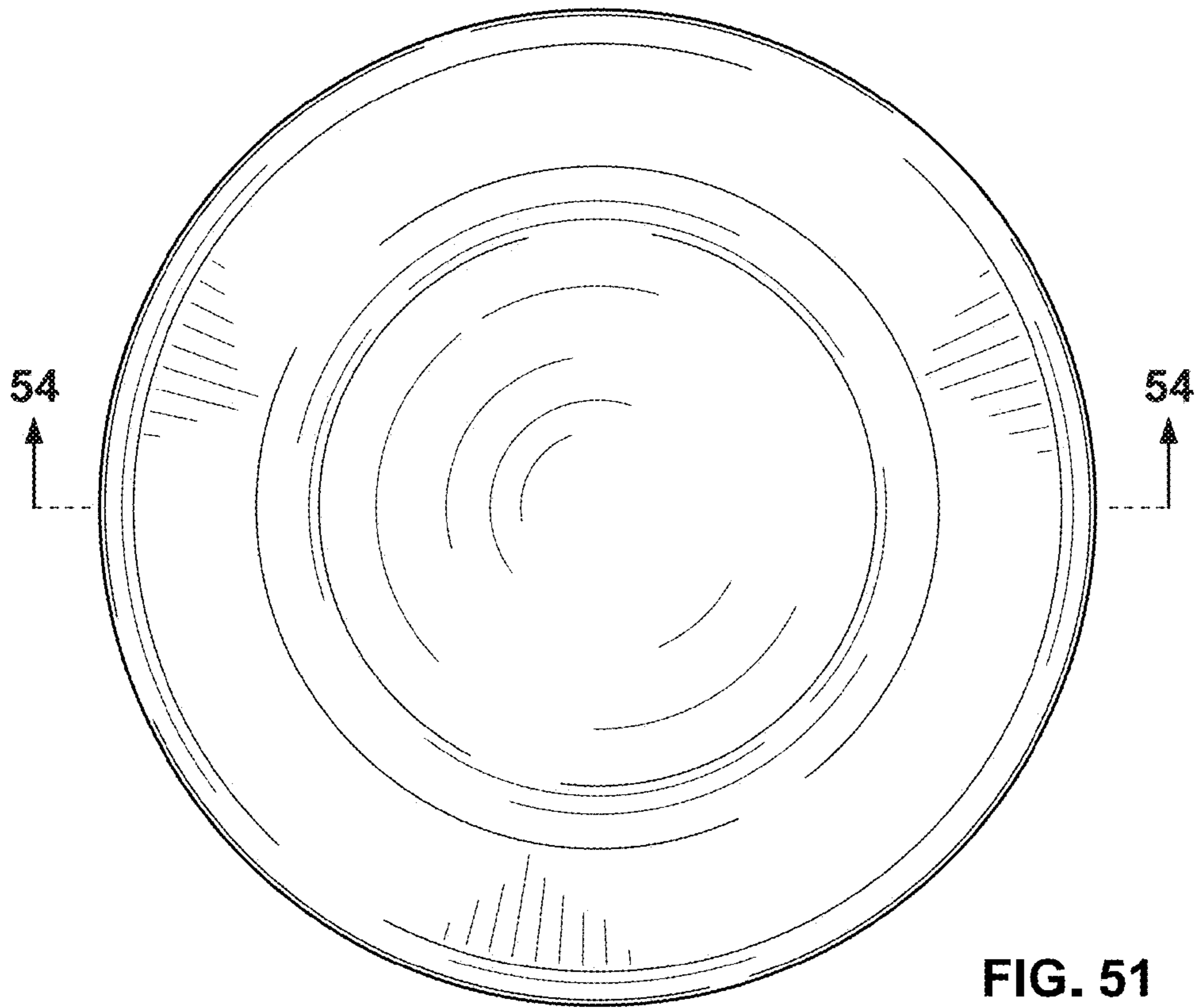


FIG. 51

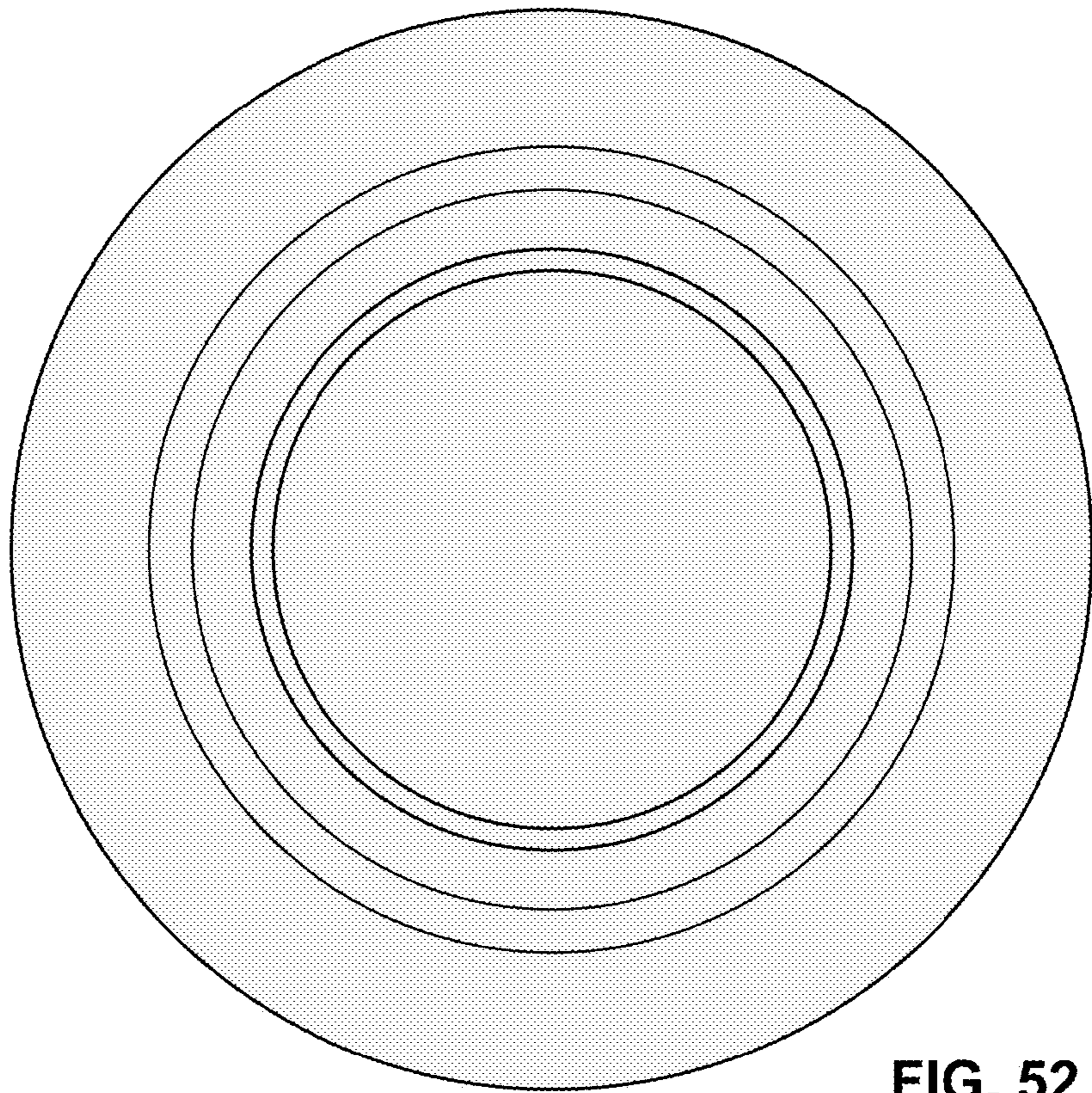


FIG. 52

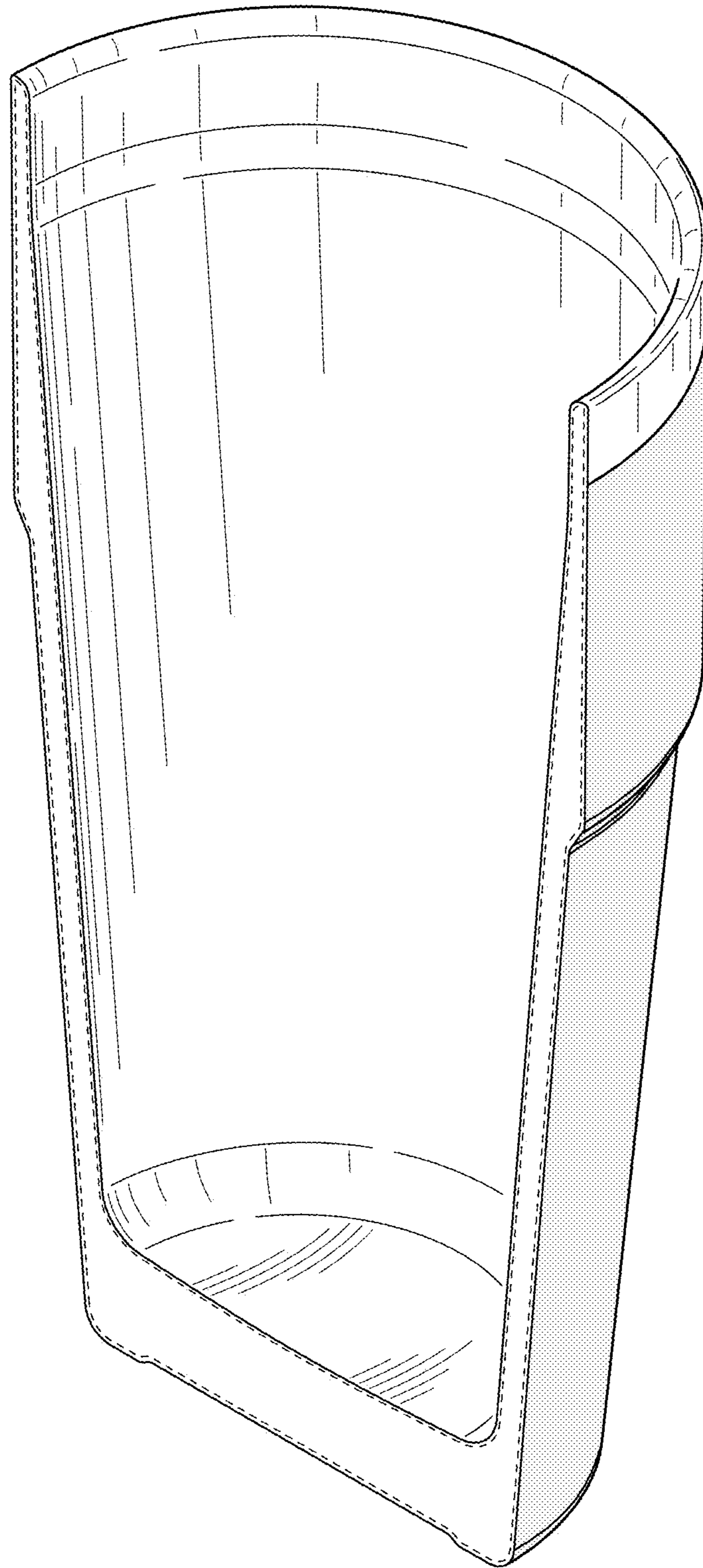


FIG. 53

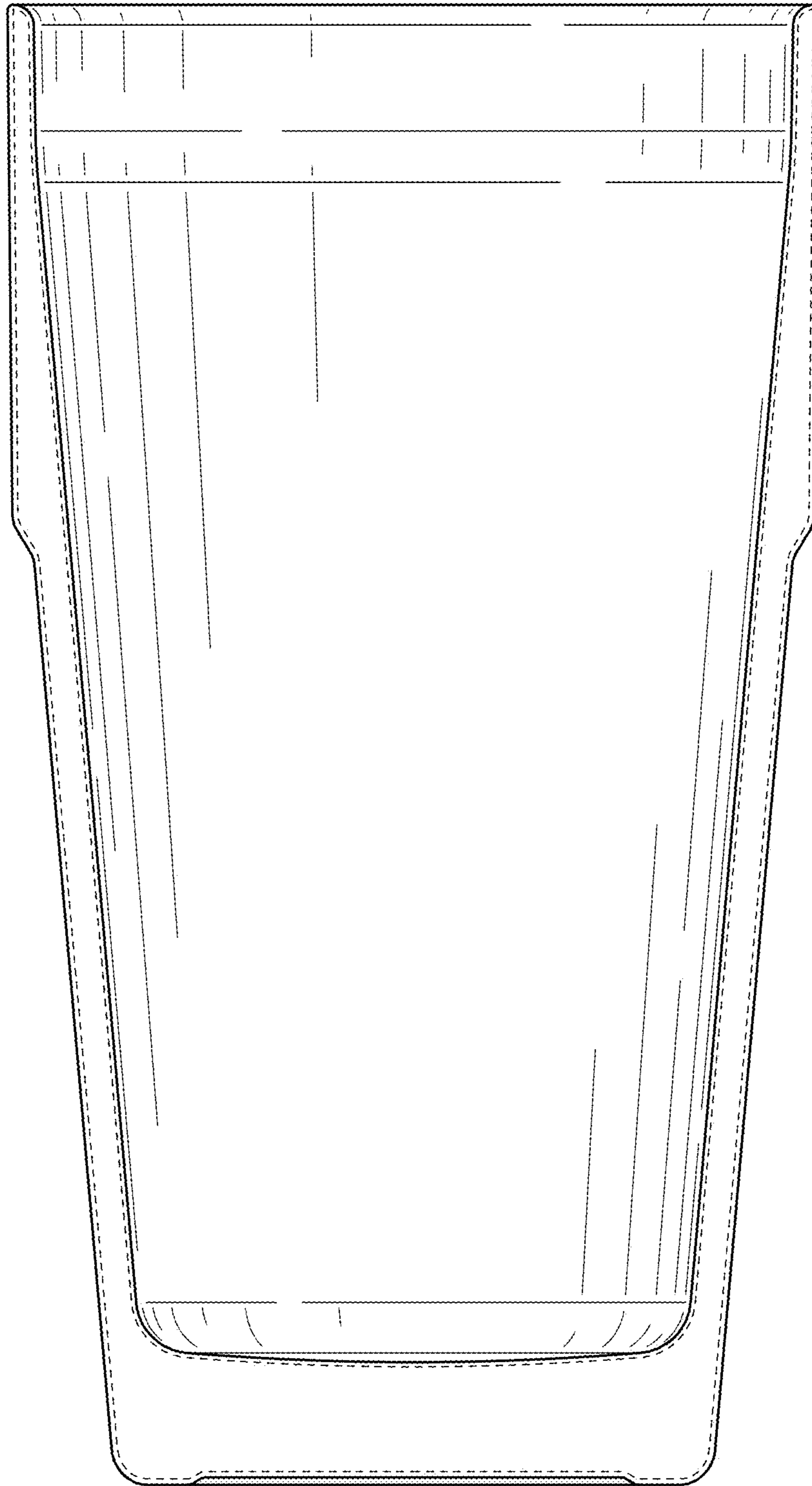


FIG. 54

UNITED STATES PATENT AND TRADEMARK OFFICE
CERTIFICATE OF CORRECTION

PATENT NO. : D918,658 S
APPLICATION NO. : 29/658675
DATED : May 11, 2021
INVENTOR(S) : Bullock et al.

Page 1 of 1

It is certified that error appears in the above-identified patent and that said Letters Patent is hereby corrected as shown below:

On the Title Page

Page 2, Column 1, Description, Lines 1-3:

Delete "The file of this patent contains at least one drawing executed in color. Copies of this patent with color drawings will be provided by the Office upon request and payment."

Page 3, Column 1, Description, Lines 2-4:

Delete "The broken lines depicting the remainder of the tumbler show features that form no part of the claimed design." and insert --The file of this patent contains at least one drawing executed in color. Copies of this patent with color drawings will be provided by the Office upon request and payment.--

Signed and Sealed this
Tenth Day of August, 2021



Drew Hirshfeld
*Performing the Functions and Duties of the
Under Secretary of Commerce for Intellectual Property and
Director of the United States Patent and Trademark Office*