



US00D918656S

(12) **United States Design Patent** (10) **Patent No.:** **US D918,656 S**
Wettlaufer et al. (45) **Date of Patent:** **** May 11, 2021**

- (54) **PUSHER**
- (71) Applicant: **Goodnature Products, Inc.**, Orchard Park, NY (US)
- (72) Inventors: **Eric Wettlaufer**, Buffalo, NY (US); **Thomas Heyden**, Glenwood, NY (US)
- (73) Assignee: **Goodnature Products, Inc.**, Orchard Park, NY (US)

982,516 A 1/1911 Marks
 1,130,701 A 3/1915 Berrigan
 1,131,032 A 3/1915 Berrigan
 (Continued)

FOREIGN PATENT DOCUMENTS

CH 359346 12/1961
 CN 201115592 9/2008
 (Continued)

OTHER PUBLICATIONS

3D Helical Ramp (R) for AutoCAD—AFV Software. Online, published date Mar. 25, 2014. Retrieved on Jan. 11, 2021 from URL: https://www.youtube.com/watch?v=l_uDyXcTsck (Year: 2014).*
 (Continued)

Primary Examiner — Janice Hallmark
Assistant Examiner — Omeed Agilee
 (74) *Attorney, Agent, or Firm* — Knobbe, Martens, Olson & Bear LLP

- (**) Term: **15 Years**
- (21) Appl. No.: **29/705,504**
- (22) Filed: **Sep. 12, 2019**
- (51) **LOC (13) Cl.** **07-99**
- (52) **U.S. Cl.**
 USPC **D7/412; D7/699**
- (58) **Field of Classification Search**
 USPC D7/317, 372, 376–386, 412–413, 523,
 D7/665–666, 669, 679, 693–694;
 D8/399; D12/159
 CPC A21C 1/02; A21C 1/04; A22C 7/00; A23N
 1/00; A23N 1/02; A47J 43/04; A47J
 43/25; A47J 43/27; A47J 43/288; A47J
 43/042; A47J 43/044
 See application file for complete search history.

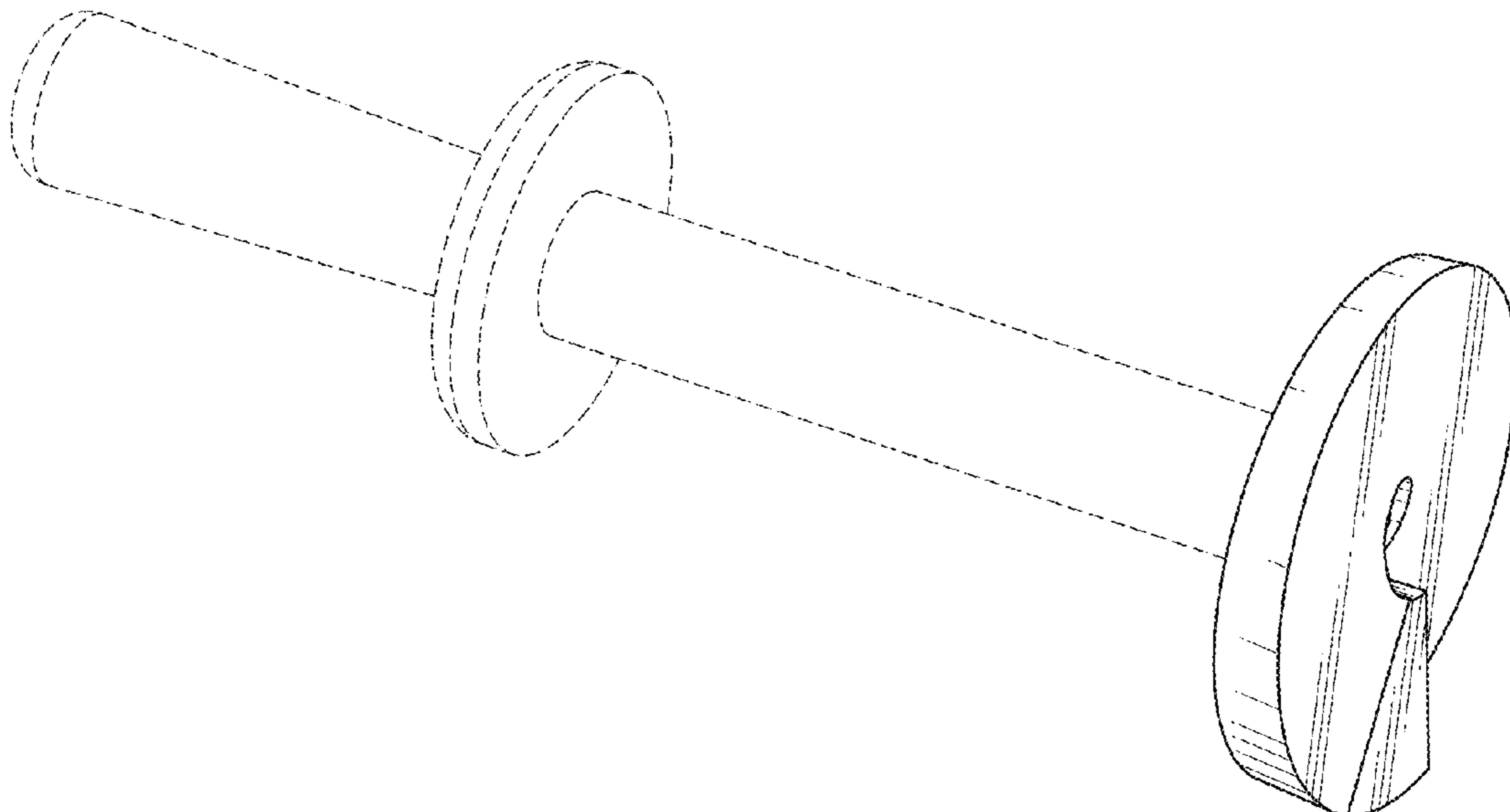
(57) **CLAIM**
 The ornamental design for a pusher, as shown and described.

DESCRIPTION

FIG. 1 is a top, front, left-side perspective view of a pusher embodying our design;
 FIG. 2 is a bottom, front, right-side perspective view thereof;
 FIG. 3 is a right-side view thereof;
 FIG. 4 is a left-side view thereof;
 FIG. 5 is a top view thereof;
 FIG. 6 is a bottom view thereof;
 FIG. 7 is a front view thereof; and,
 FIG. 8 is a rear view thereof.
 The broken lines in the drawings depict portions of the pusher that form no part of the claimed design.
 The pusher may be used in a food preparation device, such as a juicing device.

- (56) **References Cited**
 U.S. PATENT DOCUMENTS
 18,895 A 12/1857 Eiberweiser
 194,457 A 8/1877 Newsam
 241,348 A 5/1881 Gilbert
 250,979 A 12/1881 Russell
 260,542 A 7/1882 Dannecker
 630,669 A 8/1899 Green
 D31,714 S * 10/1899 Carroll D8/399
 729,807 A 6/1903 Stoveken et al.
 929,717 A 8/1909 Self

1 Claim, 4 Drawing Sheets



(56)

References Cited

U.S. PATENT DOCUMENTS

1,456,257 A 5/1923 Stevenson
 1,841,413 A 1/1932 Macchia
 2,022,679 A 12/1935 Leo
 2,068,013 A 1/1937 Fridlender et al.
 2,087,435 A 7/1937 Hubbert
 2,416,043 A 2/1947 Bucher-Guyer
 2,612,100 A 9/1952 Bates
 3,032,087 A 5/1962 Rodwick
 3,154,122 A 10/1964 Batchelor et al.
 3,162,384 A 12/1964 Wright
 3,334,790 A 8/1967 Eaton
 4,191,103 A 3/1980 Wettlaufer
 4,214,519 A 7/1980 Stollenwerk
 4,367,667 A 1/1983 Shibata
 4,393,737 A 7/1983 Shibata
 4,420,404 A 12/1983 Coate et al.
 4,456,185 A 6/1984 Ribassin et al.
 4,539,793 A 9/1985 Malek
 4,674,690 A 6/1987 Ponikwia et al.
 4,680,808 A 7/1987 Paleschuck
 4,730,555 A 3/1988 Blanchot
 4,778,117 A 10/1988 Karg
 4,892,665 A 1/1990 Wettlaufer
 4,986,912 A 1/1991 Fisch
 5,031,524 A 7/1991 Wettlaufer
 5,045,186 A 9/1991 Takashima
 5,146,848 A 9/1992 Dufour
 5,205,498 A 4/1993 Ostermeier et al.
 5,207,152 A 5/1993 Wettlaufer
 5,267,509 A 12/1993 Wettlaufer
 5,275,097 A 1/1994 Wettlaufer
 5,340,036 A 8/1994 Riley
 5,356,083 A 10/1994 Wettlaufer
 5,533,681 A 7/1996 Riley
 D373,705 S * 9/1996 Austin D7/401.2
 5,551,606 A 9/1996 Rai et al.
 5,613,434 A 3/1997 Hartmann
 6,123,018 A 9/2000 Wettlaufer et al.
 6,159,527 A 12/2000 Wettlaufer
 6,422,138 B1 7/2002 Ballard
 6,457,403 B1 10/2002 Wettlaufer et al.
 D482,938 S * 12/2003 Renault D7/683
 D554,441 S * 11/2007 Malcolm D7/653
 7,337,996 B2 3/2008 Hanson et al.
 7,448,317 B2 11/2008 Pinnow
 7,607,599 B2 10/2009 Jara-Almonte et al.
 7,753,297 B2 7/2010 Hanson et al.
 7,866,583 B2 1/2011 Jara-Almonte
 8,387,520 B2 3/2013 Backus
 8,578,846 B2 11/2013 Sherwood
 D725,439 S 3/2015 Kim
 9,027,472 B2 5/2015 Bertocchi
 D741,653 S * 10/2015 Zhang D7/412
 D743,204 S * 11/2015 Zhang D7/412
 D774,848 S 12/2016 Flotats Molinas et al.
 9,763,470 B2 9/2017 Feinberg et al.
 9,844,229 B2 12/2017 Wettlaufer et al.

9,888,802 B2 2/2018 Holzbauer et al.
 D812,426 S * 3/2018 Kociolek A23B 7/105
 D7/412
 D830,795 S * 10/2018 Phillips-Solomon D7/693
 10,130,118 B2 11/2018 Contell Albert et al.
 2001/0031302 A1 * 10/2001 Balkos A22C 7/0076
 426/513
 2008/0098908 A1 5/2008 Song
 2008/0116305 A1 5/2008 Hanson et al.
 2011/0185921 A1 8/2011 Lee
 2012/0037013 A1 2/2012 Bertocchi
 2012/0048127 A1 3/2012 Huang et al.
 2012/0090478 A1 4/2012 Lin
 2013/0074708 A1 3/2013 Asbury et al.
 2014/0224137 A1 8/2014 Wettlaufer et al.
 2014/0306042 A1 10/2014 Chesack et al.
 2014/0314918 A1 10/2014 Wettlaufer et al.
 2015/0257435 A1 9/2015 Feinberg et al.
 2015/0359256 A1 12/2015 Wettlaufer et al.
 2015/0374025 A1 12/2015 Evans et al.
 2016/0199760 A1 7/2016 Wettlaufer
 2017/0295982 A1 10/2017 Holzbauer et al.
 2018/0084818 A1 3/2018 Wettlaufer et al.
 2018/0103676 A1 4/2018 Wettlaufer et al.
 2018/0297310 A1 10/2018 Evans et al.
 2019/0159507 A1 5/2019 Wettlaufer et al.
 2019/0193359 A1 6/2019 Wettlaufer et al.
 2020/0367696 A1 11/2020 Wettlaufer et al.

FOREIGN PATENT DOCUMENTS

CN 201245539 Y 5/2009
 CN 201604303 10/2010
 CN 202515365 11/2012
 CN 205727969 11/2016
 EP 1364558 3/2005
 EP 1632338 3/2006
 FR 2806880 10/2001
 JP 2006-094902 4/2006
 JP 2015039493 3/2015
 KR 20030004642 1/2003
 WO WO 2020/242897 12/2020

OTHER PUBLICATIONS

Create curved ramp. Online, published date May 19, 2017. Retrieved on Jan. 11, 2021 from URL: <https://forums.autodesk.com/t5/fusion-360-design-validate/create-curved-ramp/td-p/7088070> (Year: 2017).
 Pusher. Online, published date unknown. Retrieved on Jan. 11, 2021 from URL: <https://www.goodnature.com/product/m1-pusher/> (Year: 2021).
 Norwalk. 2014. Model 280 Features. Retrieved on Oct. 9, 2015 from <http://www.norwalkjuicers.com/features/>.
 Norwalk. 2014. Model 280 Technical Specifications. Retrieved on Oct. 9, 2015 from <http://www.norwalkjuicers.com/technical-specs/>.

* cited by examiner

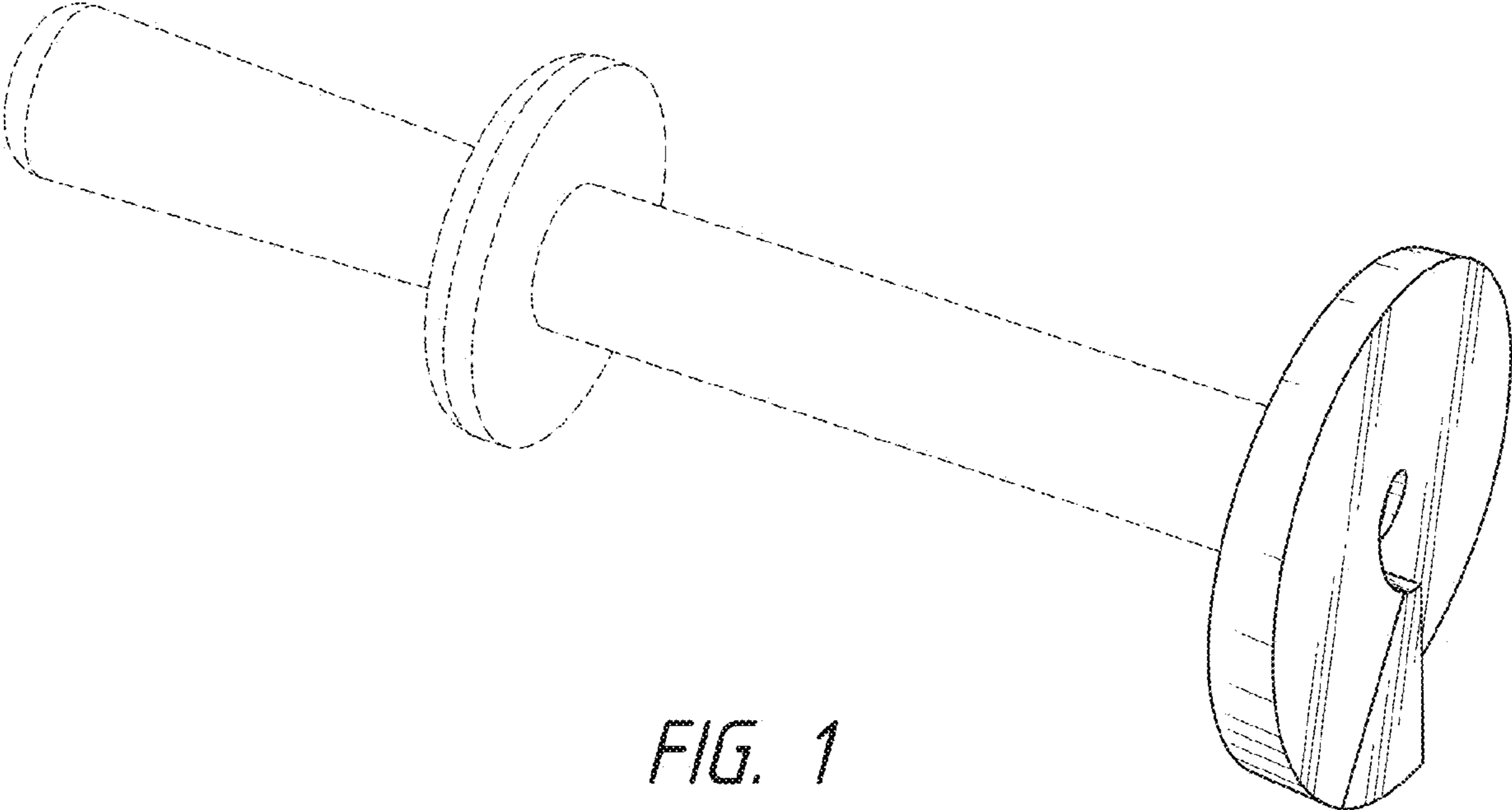


FIG. 1

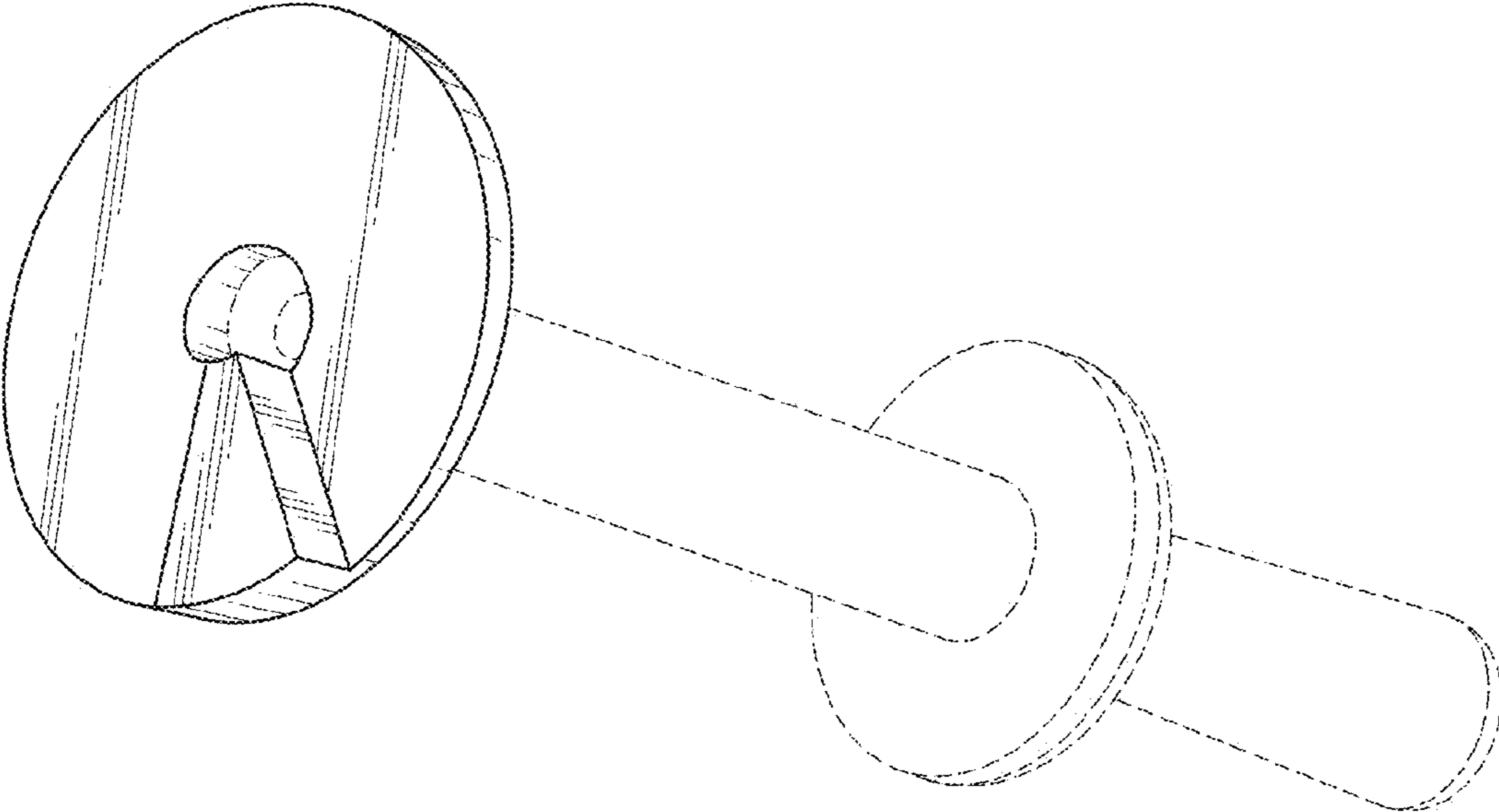


FIG. 2

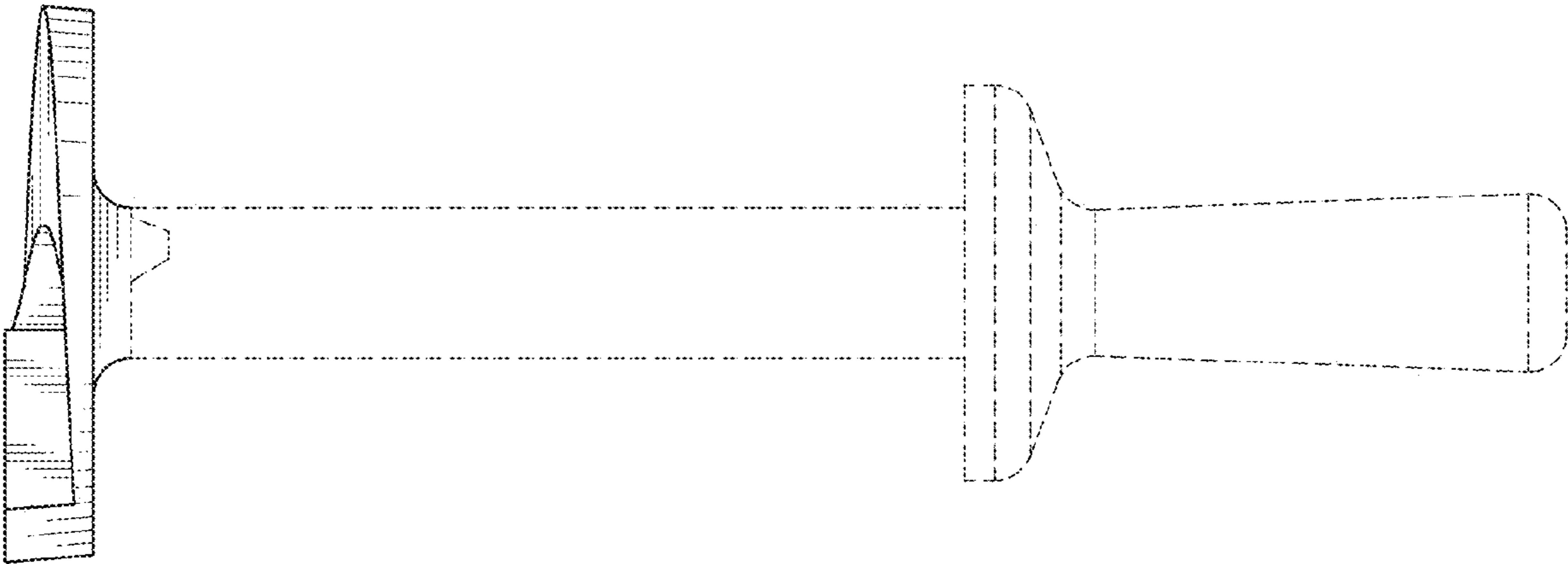


FIG. 3

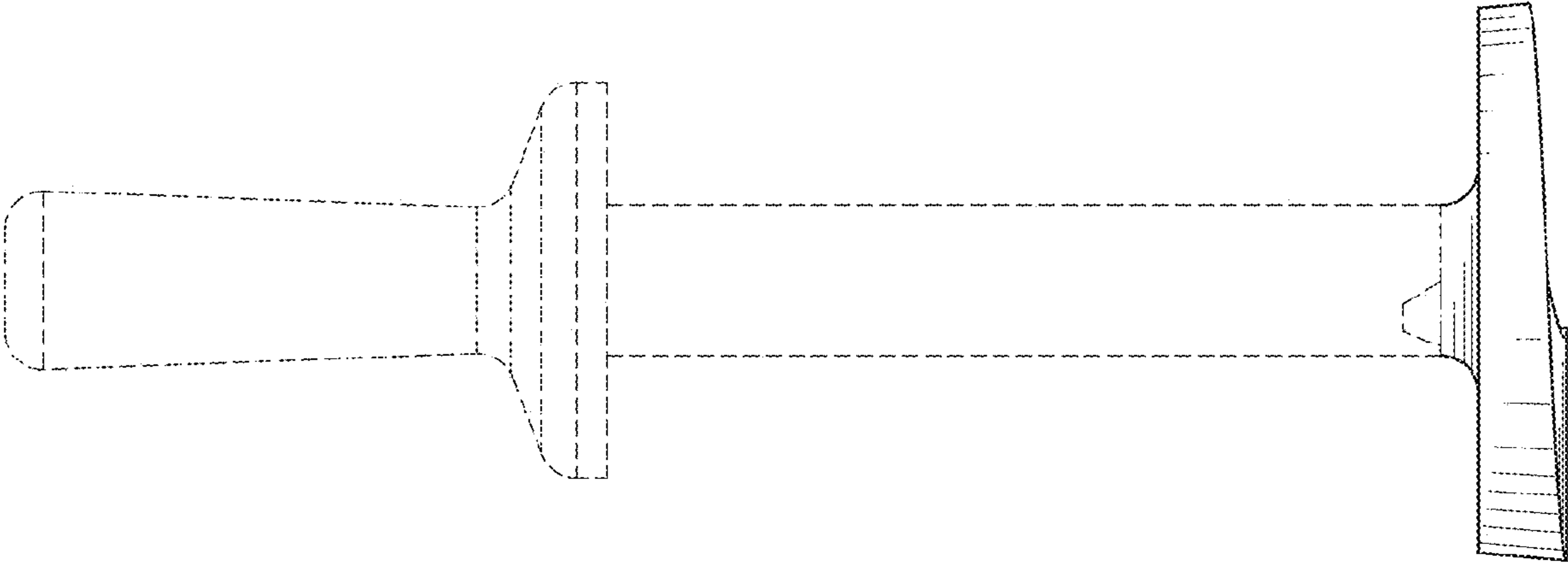


FIG. 4

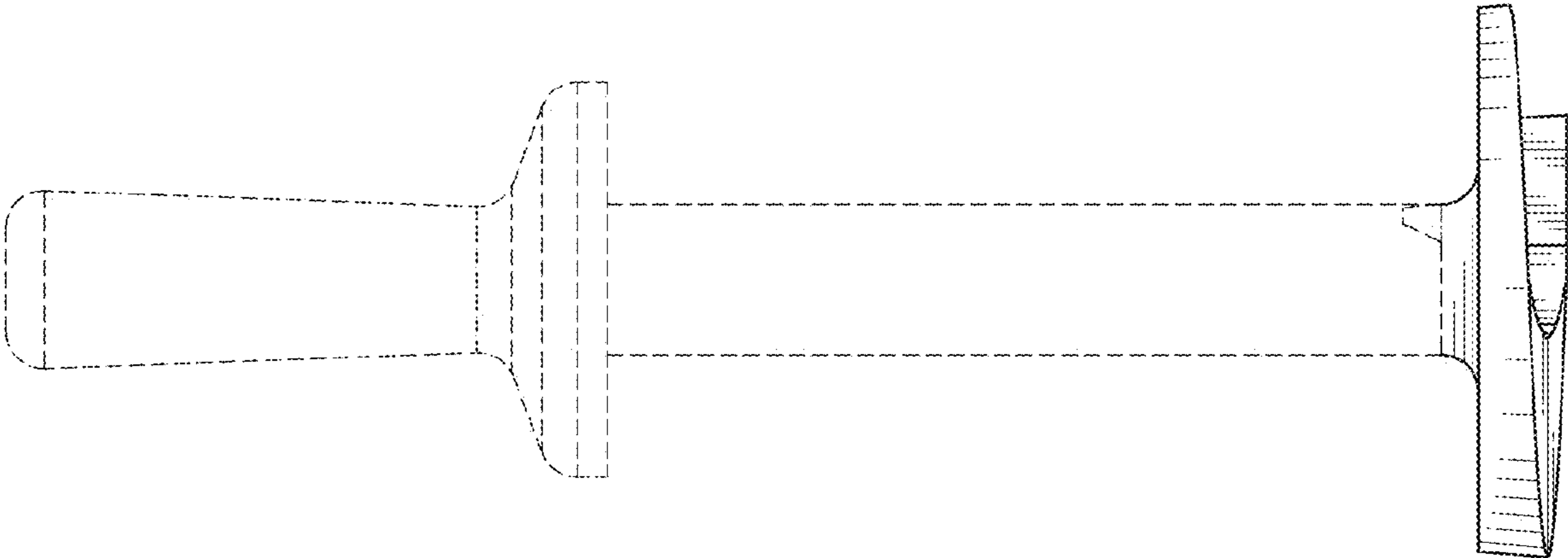


FIG. 5

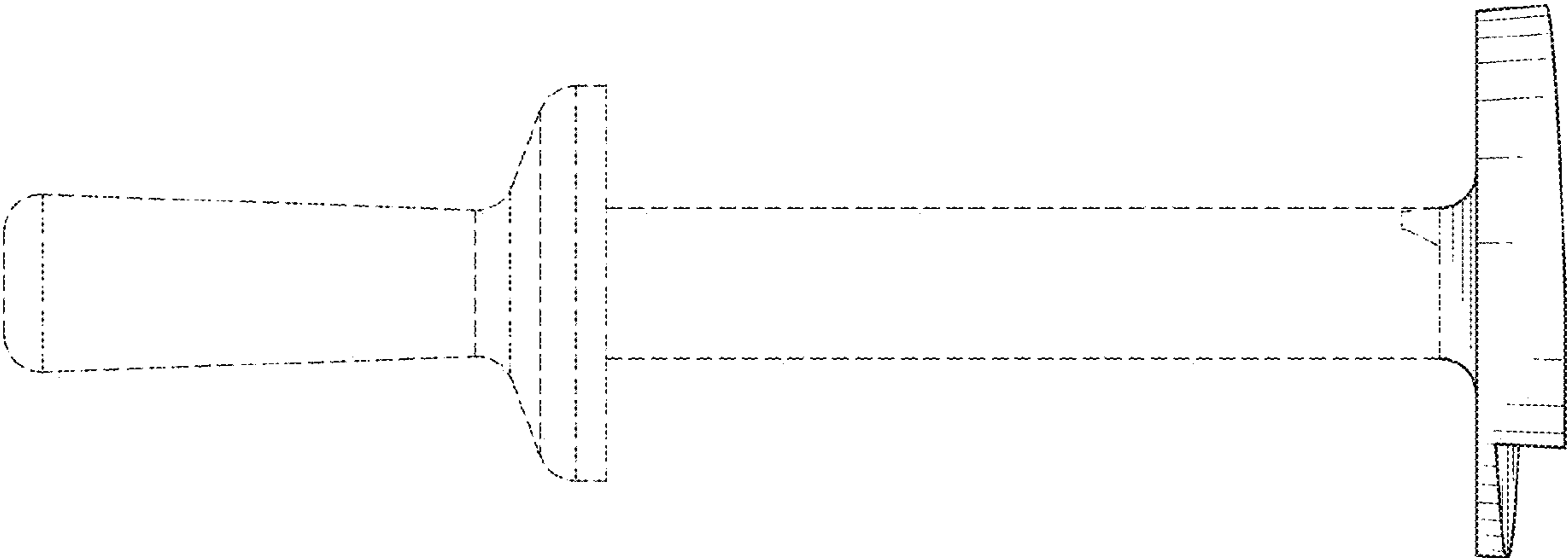


FIG. 6

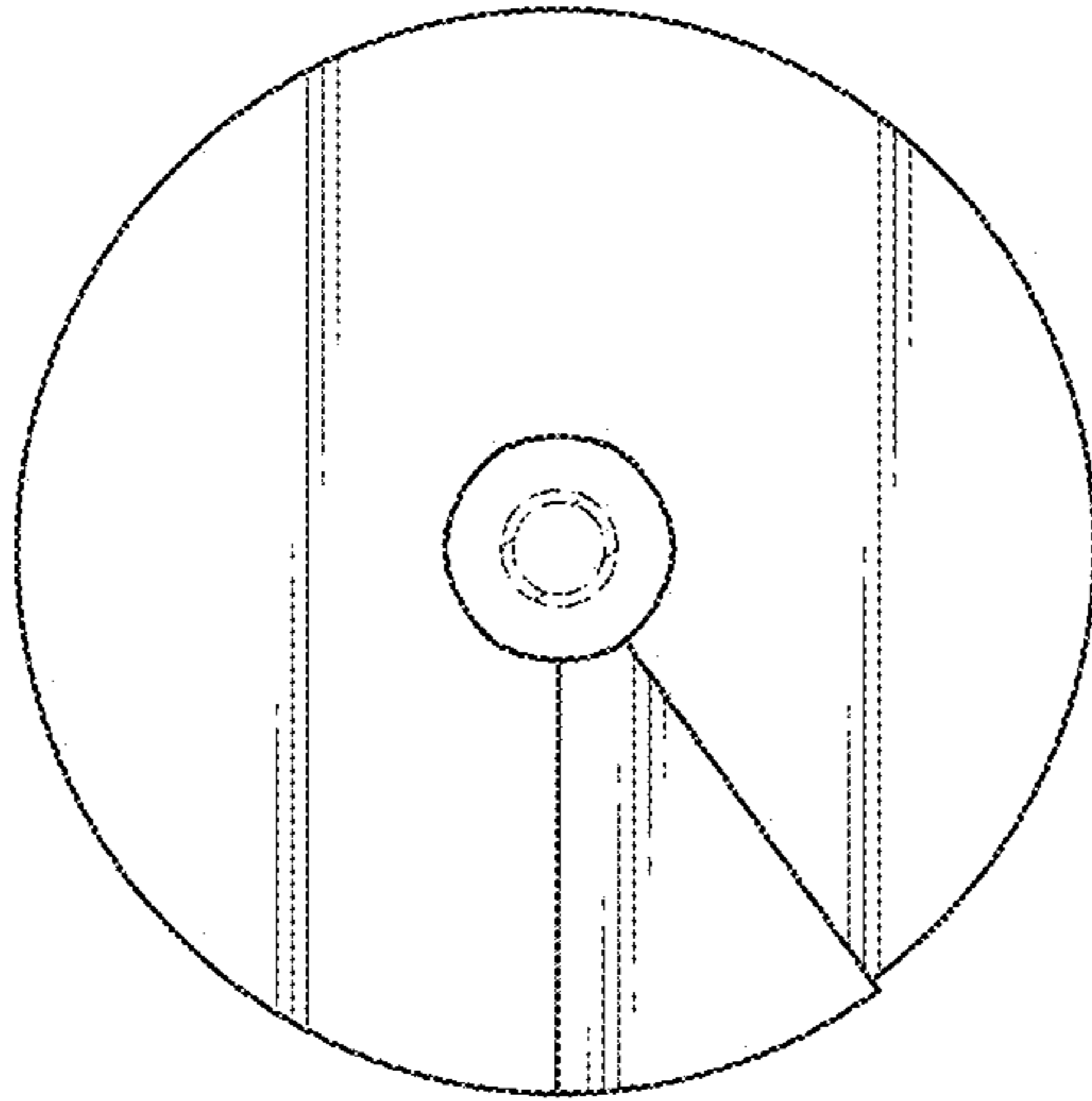


FIG. 7

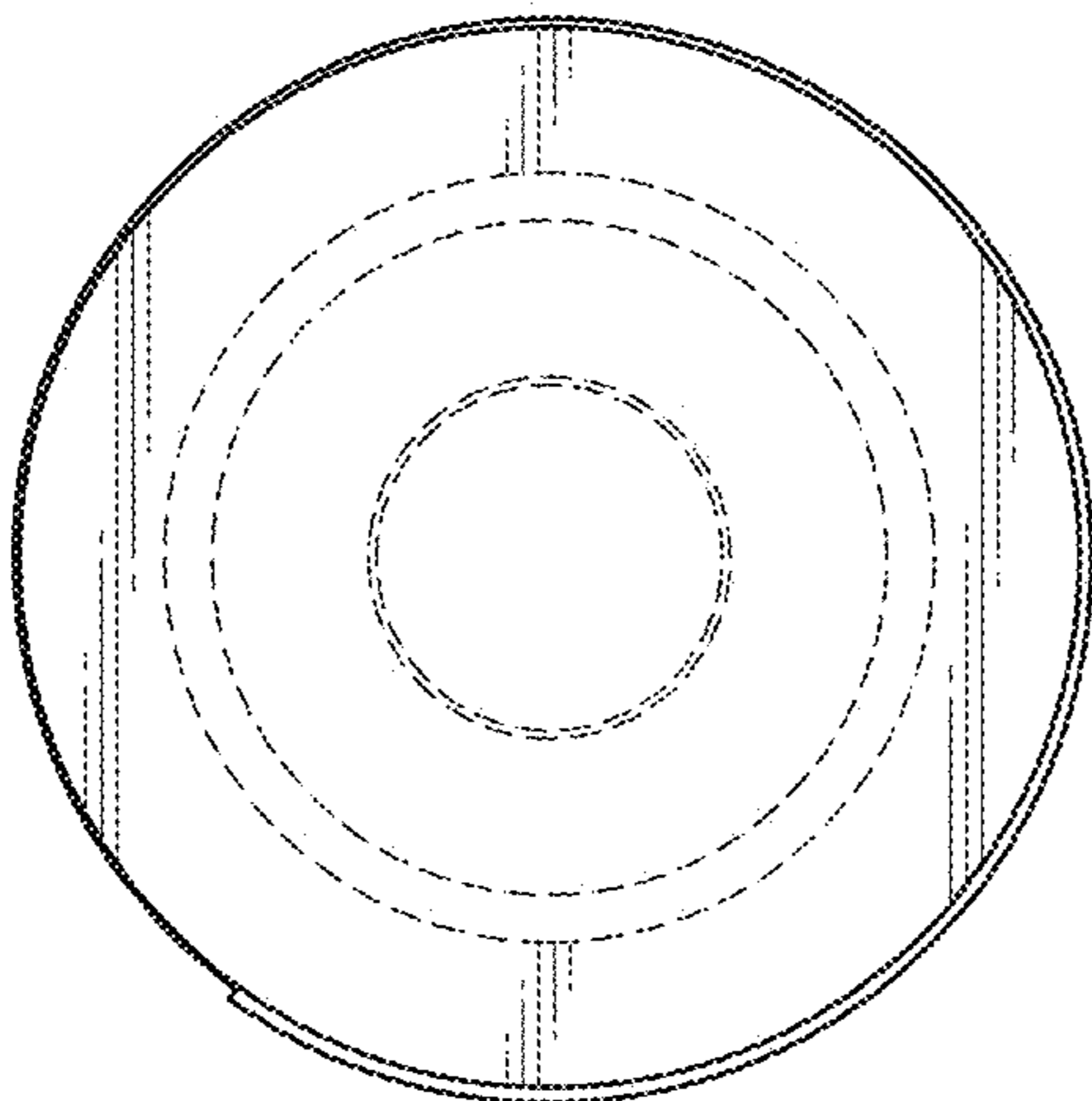


FIG. 8