



US00D918655S

(12) **United States Design Patent**
Lin et al.

(10) **Patent No.:** **US D918,655 S**
(45) **Date of Patent:** **** May 11, 2021**

- (54) **STEAMER**
- (71) Applicants: **Wenjie Lin**, Jieyang (CN); **Shujie He**, Jieyang (CN); **Linwei Chen**, Jieyang (CN)
- (72) Inventors: **Wenjie Lin**, Jieyang (CN); **Shujie He**, Jieyang (CN); **Linwei Chen**, Jieyang (CN)
- (**) Term: **15 Years**
- (21) Appl. No.: **29/758,722**
- (22) Filed: **Nov. 18, 2020**
- (51) **LOC (13) Cl.** **07-02**
- (52) **U.S. Cl.**
USPC **D7/409**; D7/354; D7/356
- (58) **Field of Classification Search**
USPC D7/323, 332, 335-337, 354-355, D7/359-364, 387-388, 402, 403, 407-409
CPC A21B 2/00; A21B 3/00; A21B 3/13; A21B 3/15; A21B 5/00; A21B 5/02; A23N 12/06; A23N 12/08; A23N 12/10; A47G 7/025; A47J 27/04; A47J 37/00; A47J 37/04; A47J 37/041; A47J 37/042; A47J 37/06; A47J 37/0688; A47J 37/0694; A47J 37/07; A47J 37/0704; A47J 37/10; A47J 37/1209; A47J 47/16; A47J 47/20; A47J 2037/00; A47J 2037/06; A47J 2037/0611; A47J 2037/07; A47J 2037/0786; A47J 2037/0795; F24C 15/10; F24C 15/12; F24C 15/14; F24C 15/16; F24C 15/18; F24C 15/164
See application file for complete search history.

- 6,103,291 A * 8/2000 Fernandez Tapia A47J 27/04 426/523
 - 6,711,992 B1 * 3/2004 McLemore A47J 27/04 99/339
 - 6,941,857 B2 * 9/2005 McLemore A47J 37/1209 99/403
 - D607,265 S 1/2010 Gaunaurd, III
 - 8,067,716 B1 * 11/2011 Lloyd A47J 37/1209 219/439
 - D693,169 S 11/2013 Myoung
 - D759,420 S 6/2016 Lee et al.
 - D850,200 S * 6/2019 Jiang D7/409
 - D865,445 S * 11/2019 Lin D7/409
 - D869,903 S * 12/2019 Zhong D7/409
- (Continued)

- (56) **References Cited**
U.S. PATENT DOCUMENTS
983,473 A * 2/1911 Barnes A47G 7/025 248/154
D296,287 S * 6/1988 Mueller D7/356

OTHER PUBLICATIONS

ULEE Silicone Egg Bites Molds Including Steamer Rack Trivet. Date First Available on Amazon.com Apr. 4, 2019 <https://www.amazon.com/dp/B07WJZWPK4/ref> (Year: 2019).*

(Continued)

Primary Examiner — Ricky Pham

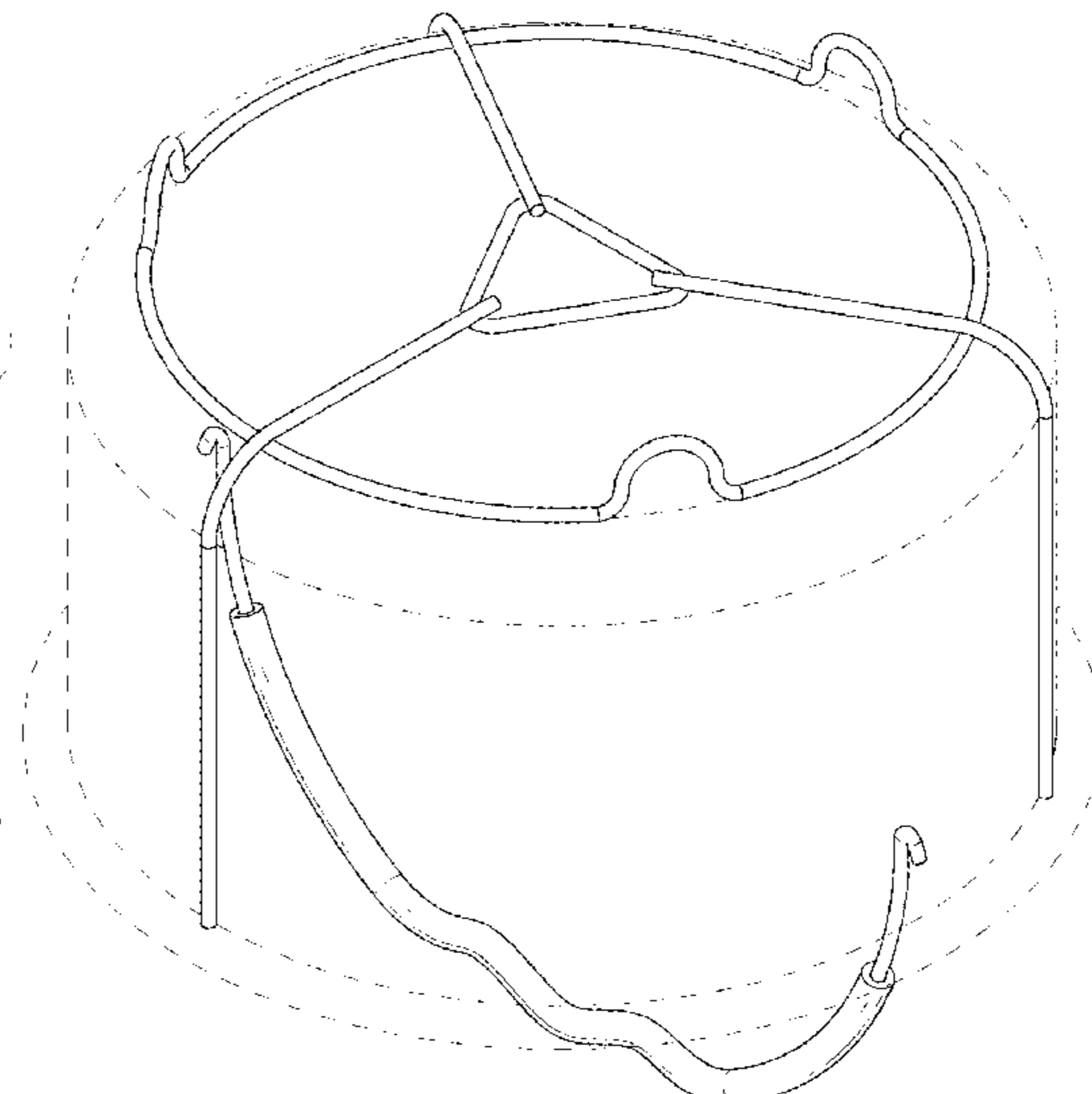
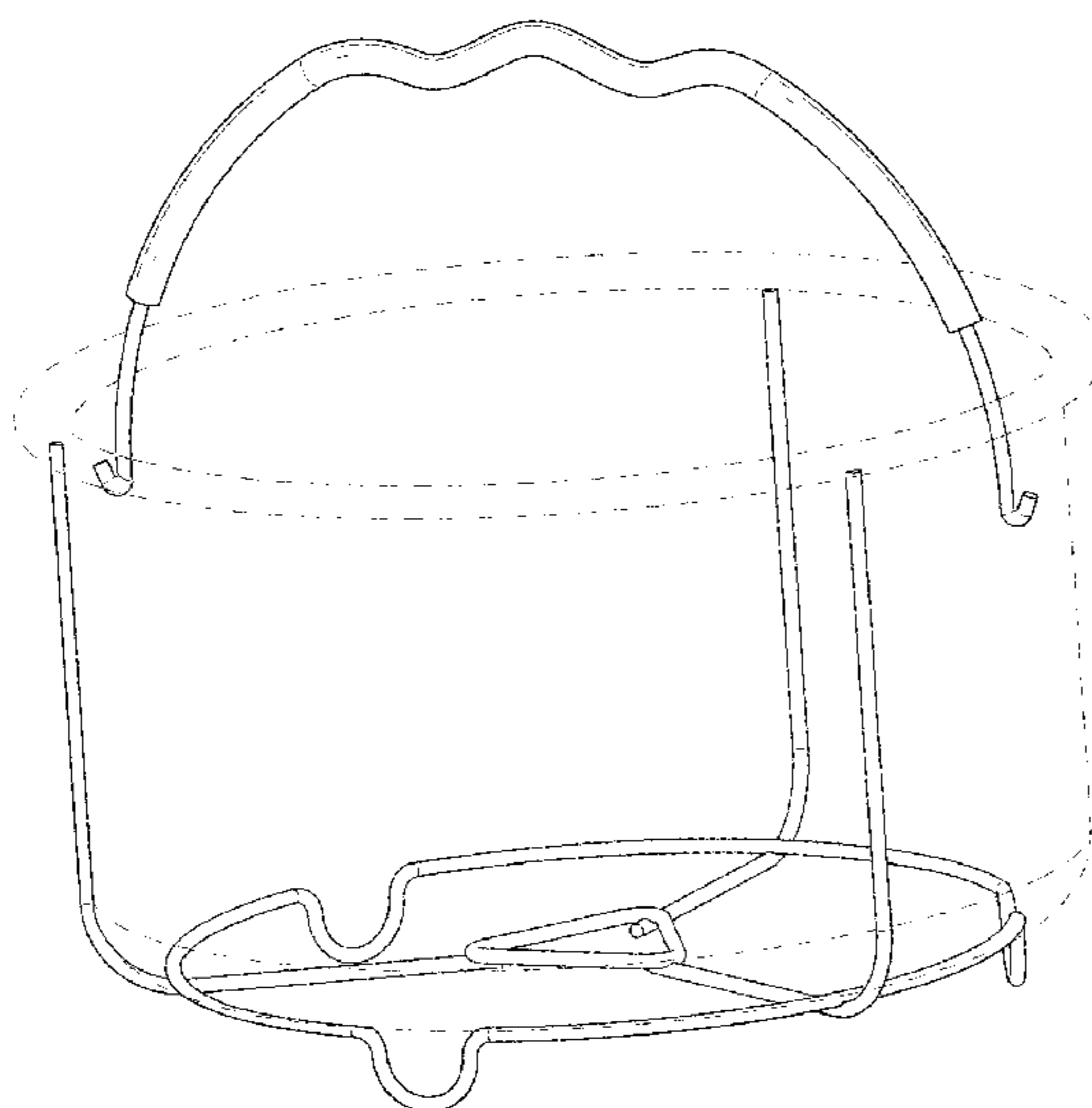
(57) **CLAIM**

The ornamental design for a steamer, as shown and described.

DESCRIPTION

FIG. 1 is a first perspective view of a steamer showing our new design;
FIG. 2 is a second perspective view thereof;
FIG. 3 is a front view thereof;
FIG. 4 is a back view thereof;
FIG. 5 is a left side view thereof;
FIG. 6 is a right side view thereof;
FIG. 7 is a top view thereof; and,
FIG. 8 is a bottom view thereof.
The broken lines shown in the drawings depict portions of the steamer in which the design is embodied that form no part of the claimed design.

1 Claim, 8 Drawing Sheets



(56)

References Cited

U.S. PATENT DOCUMENTS

D884,422 S * 5/2020 Zhong D7/409
D891,178 S * 7/2020 Lu D7/409
D894,677 S * 9/2020 Tran D7/403
2018/0279836 A1 * 10/2018 Prithviraj A47J 47/16

OTHER PUBLICATIONS

Hatrigo Steamer Basket for Pressure Cooker. Date First Available on Amazon.com Feb. 18, 2019 <https://www.amazon.com/Hatrigo-Pressure-Accessories-Compatible-Strainer/dp/B07S6HTZWN/ref> (Year: 2019).*

* cited by examiner

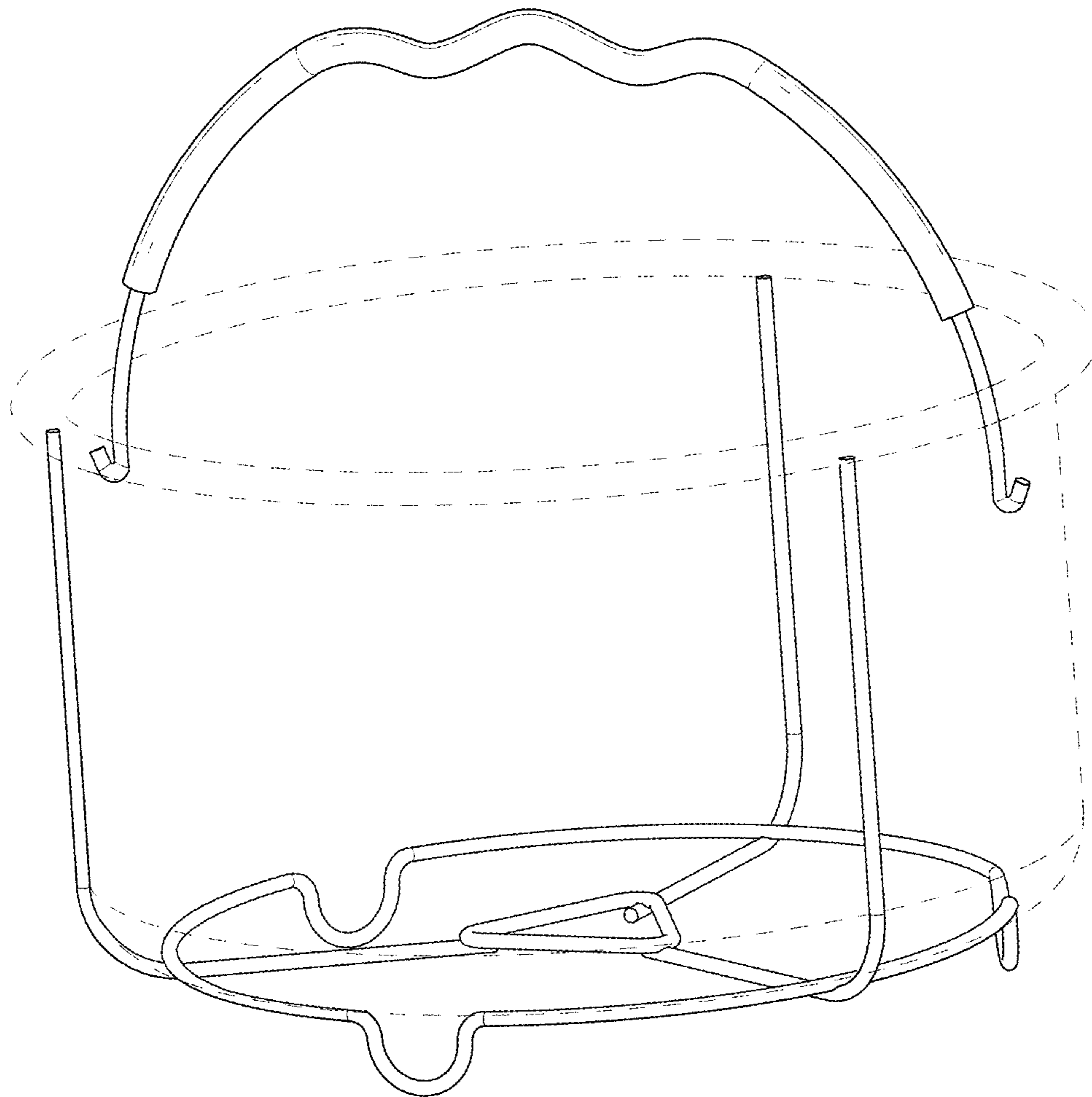


FIG. 1

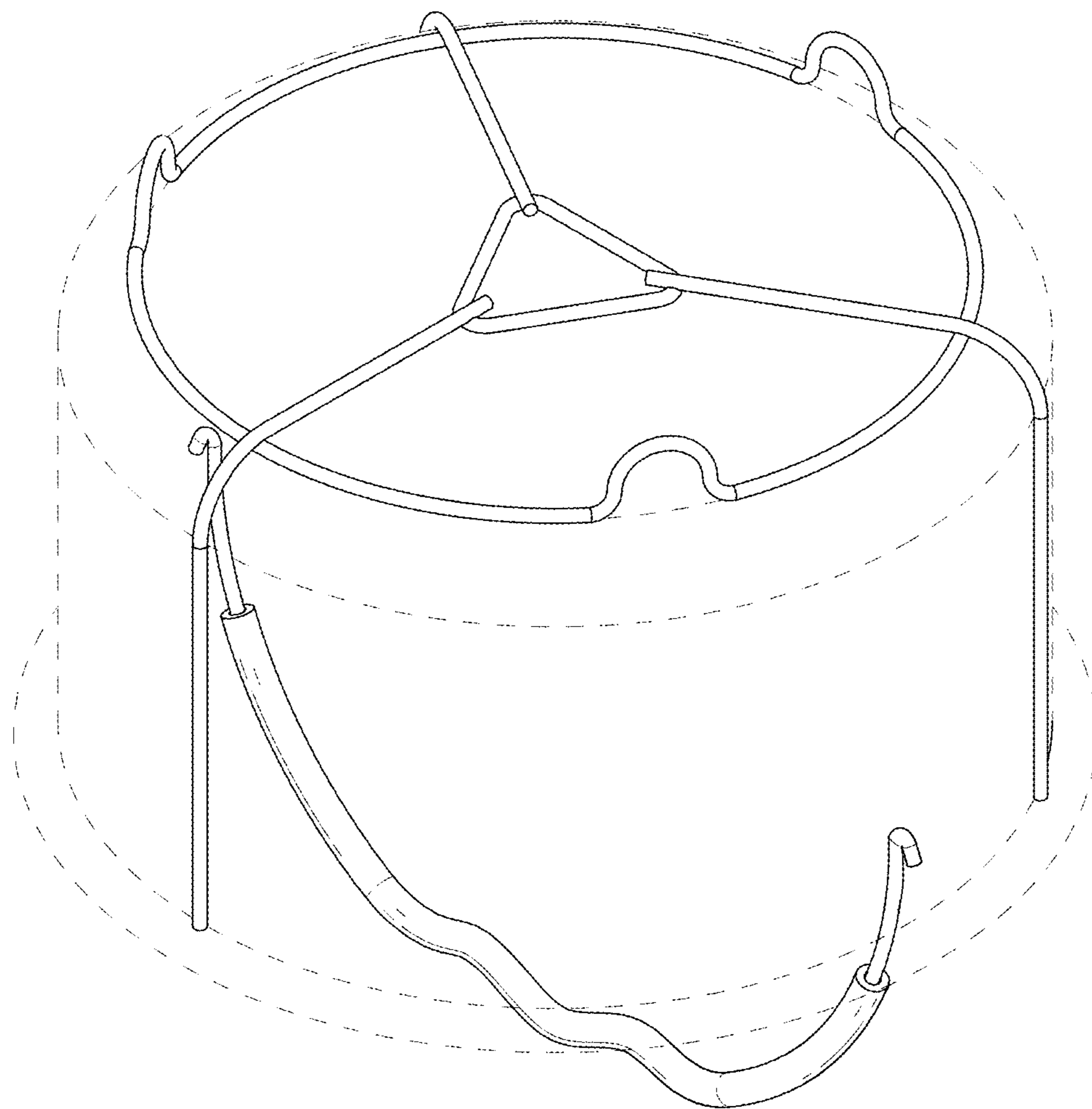


FIG. 2

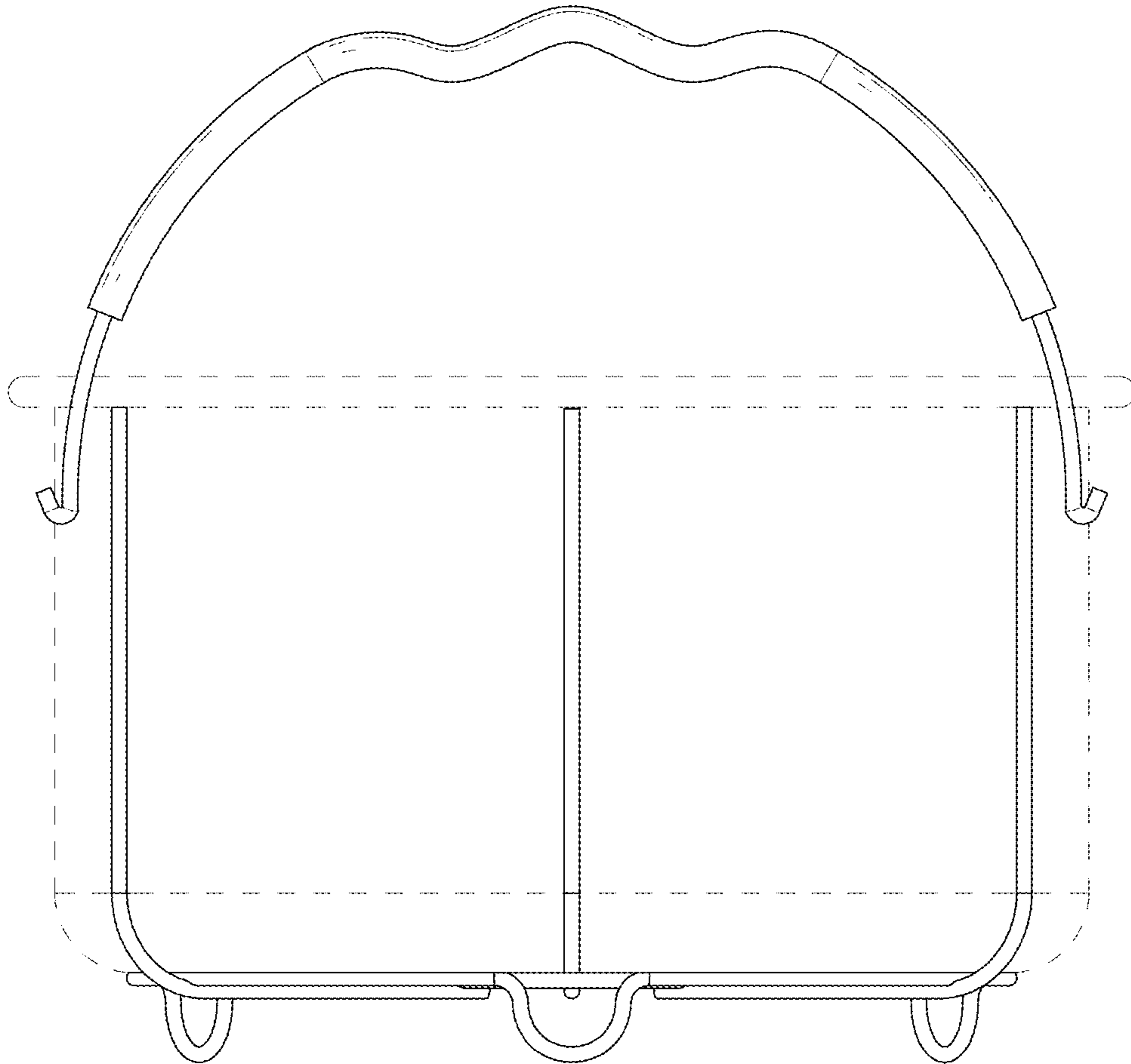


FIG. 3

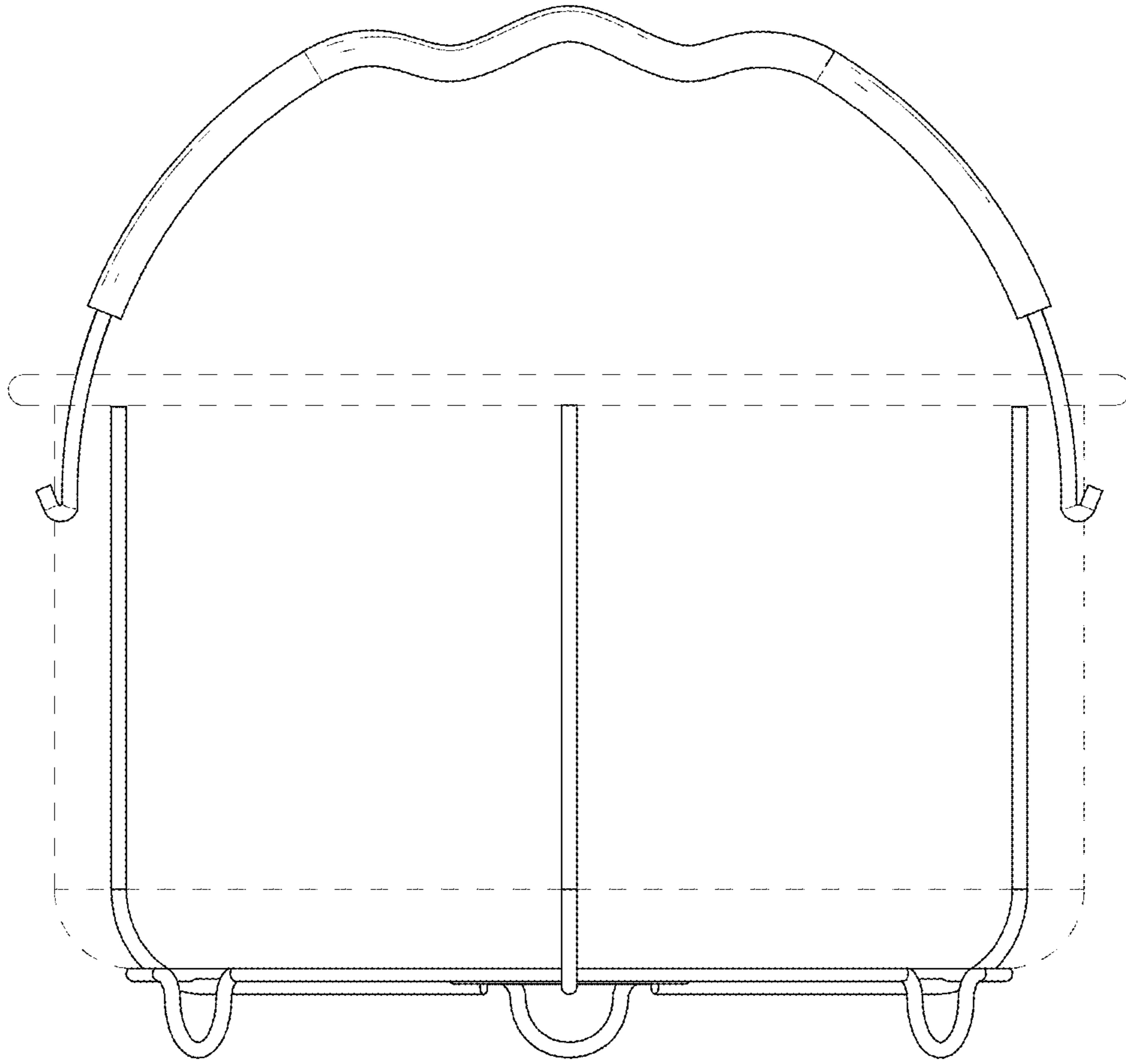


FIG. 4

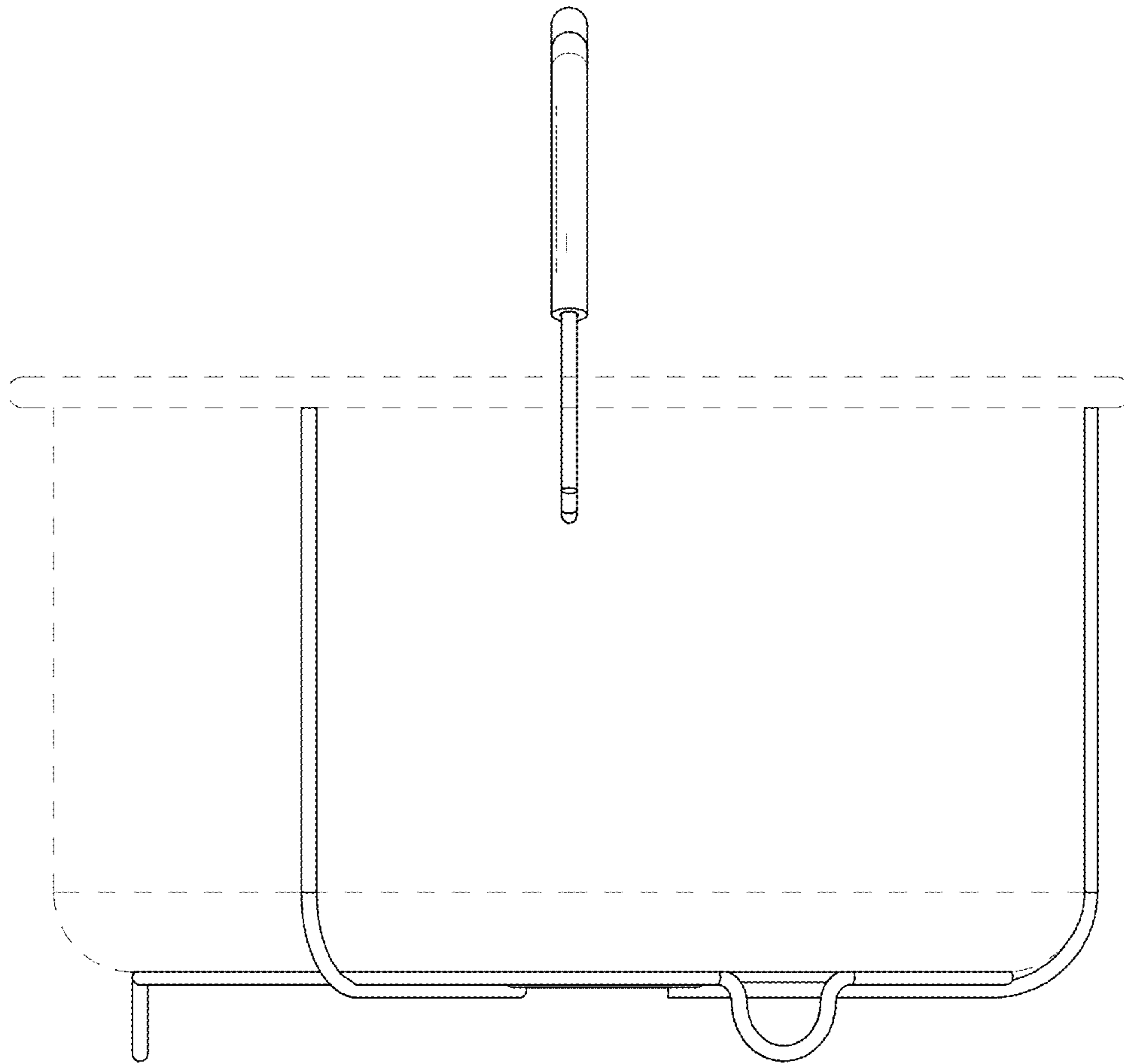


FIG. 5

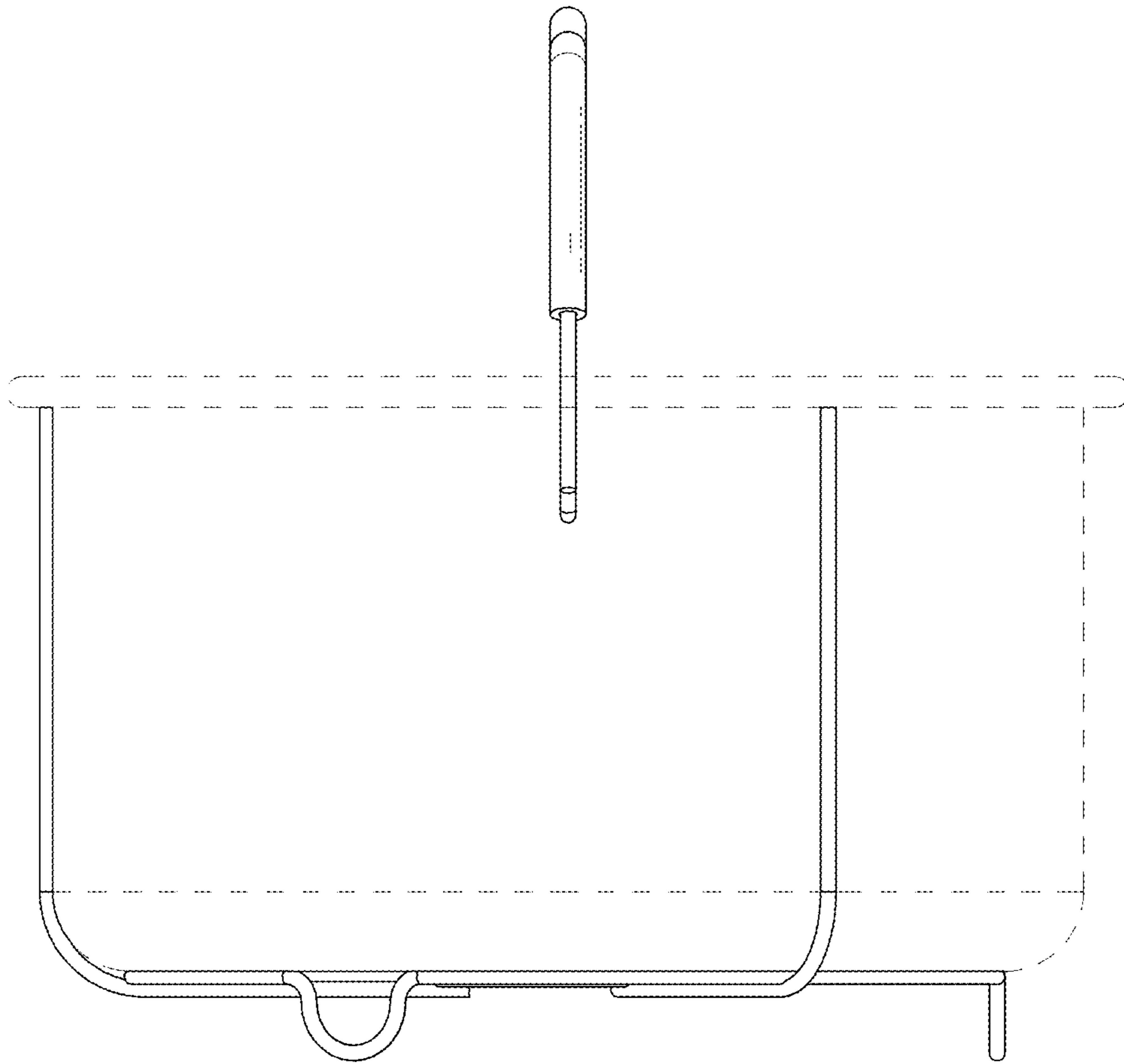


FIG. 6

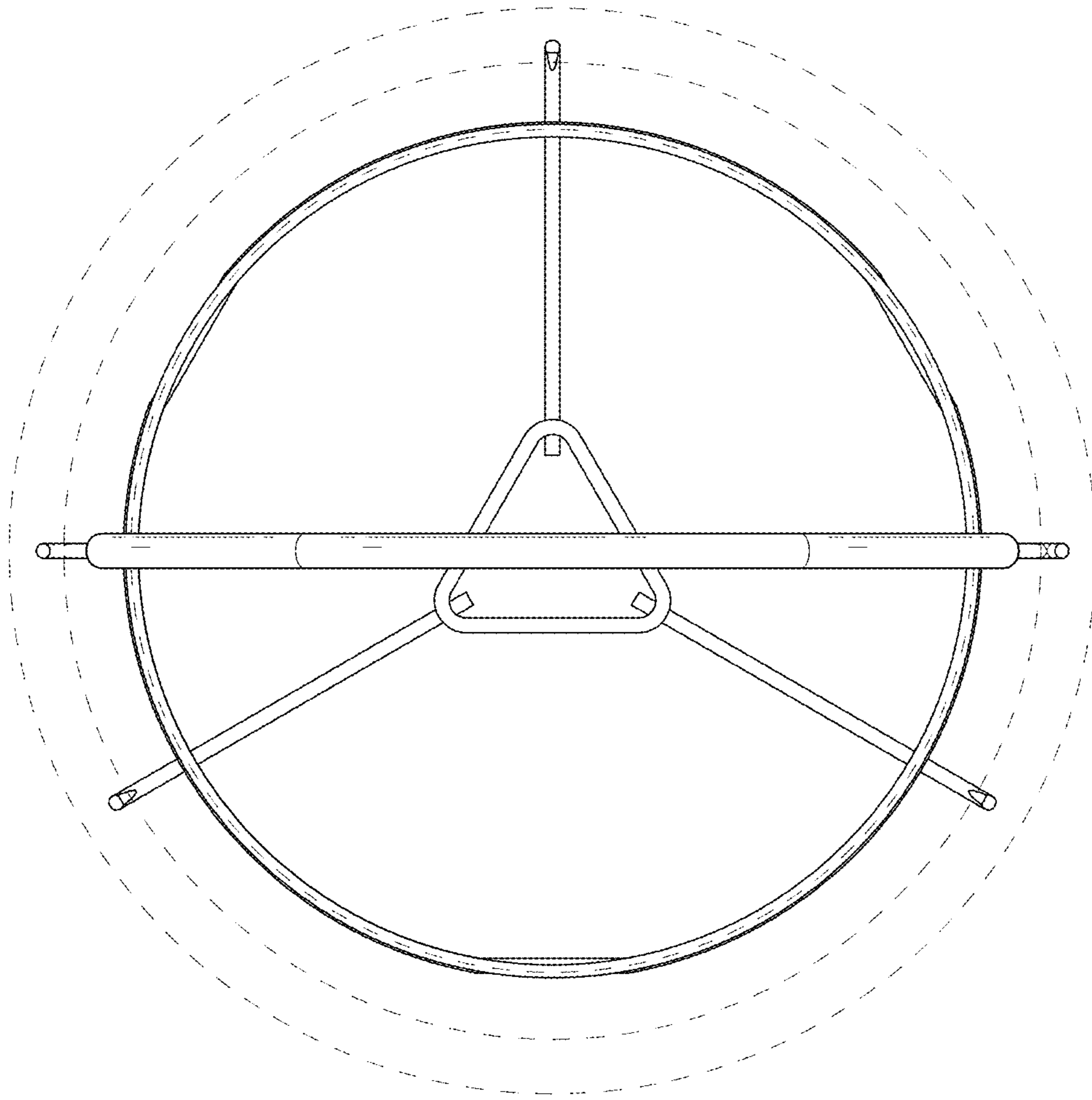


FIG. 7

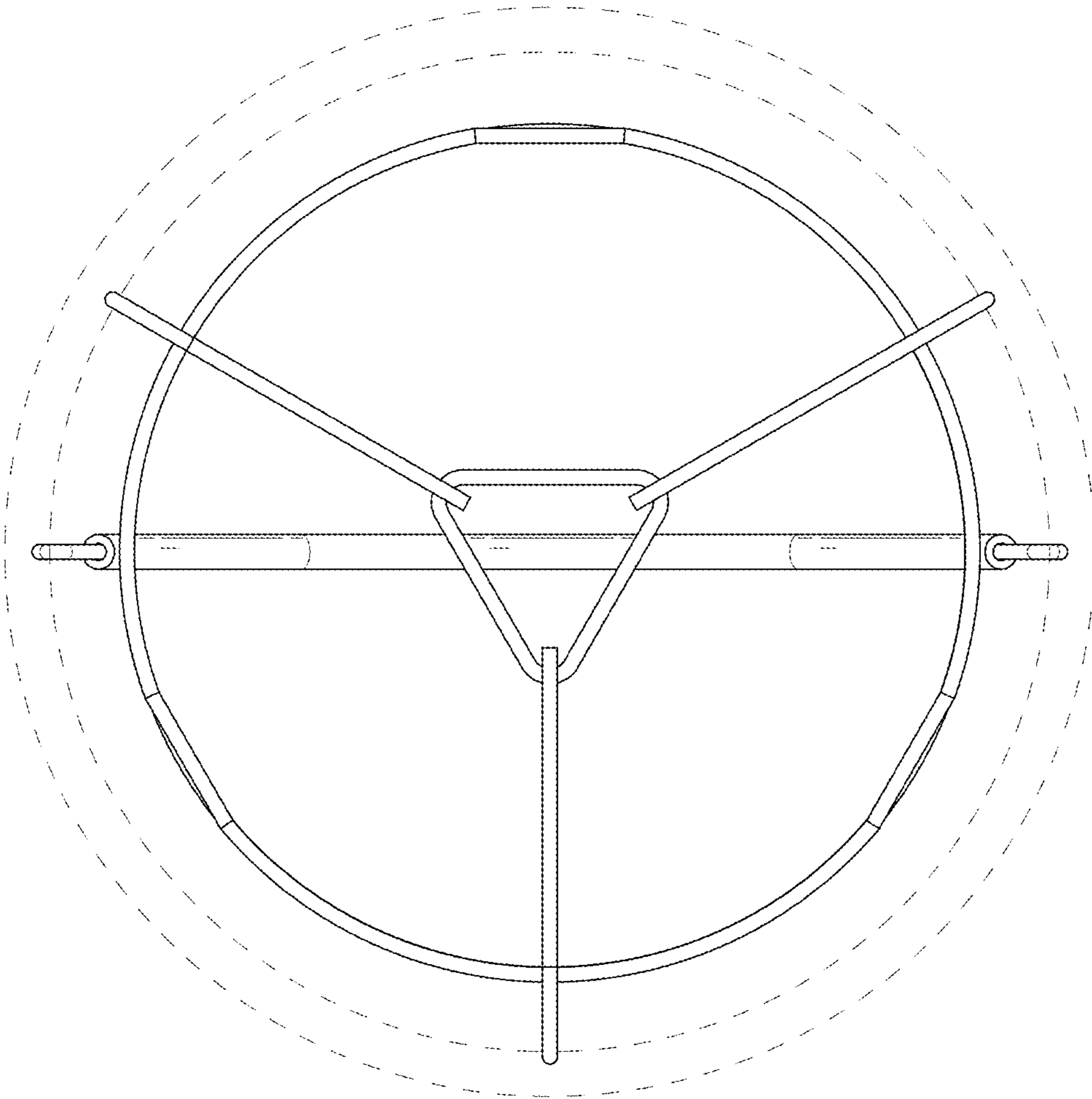


FIG. 8