



US00D918653S

(12) **United States Design Patent** (10) **Patent No.:** **US D918,653 S**
Rezachek et al. (45) **Date of Patent:** **** May 11, 2021**

- (54) **BREW BASKET**
- (71) Applicant: **Service Ideas, Inc.**, Woodbury, MN (US)
- (72) Inventors: **Ronald Rezachek**, Eagan, MN (US); **Michael J. Store**, Savage, MN (US)
- (73) Assignee: **Service Ideas, Inc.**, Woodbury, MN (US)
- (**) Term: **15 Years**
- (21) Appl. No.: **29/667,570**
- (22) Filed: **Oct. 23, 2018**
- (51) **LOC (13) Cl.** **07-99**
- (52) **U.S. Cl.**
USPC **D7/400**
- (58) **Field of Classification Search**
USPC D7/397-401, 311, 306, 309, 605, 392.1, D7/396.2, 316-319, 312, 313
CPC A47J 31/06; A47J 31/446; A47J 31/02; A47J 31/0605-0636; A47J 31/005; A47J 31/20
See application file for complete search history.

- D677,100 S * 3/2013 Amundson D7/301
D702,476 S * 4/2014 Minica B67D 1/0085
D7/306
D805,830 S * 12/2017 Friedman D7/306
D827,367 S * 9/2018 D'Amico D7/400
D845,052 S * 4/2019 Flaks D7/306

* cited by examiner

Primary Examiner — Brett Miller

(74) *Attorney, Agent, or Firm* — Skaar Ulbrich Macari, P.A.

(57) **CLAIM**

We claim the ornamental design for a brew basket, as shown and described.

DESCRIPTION

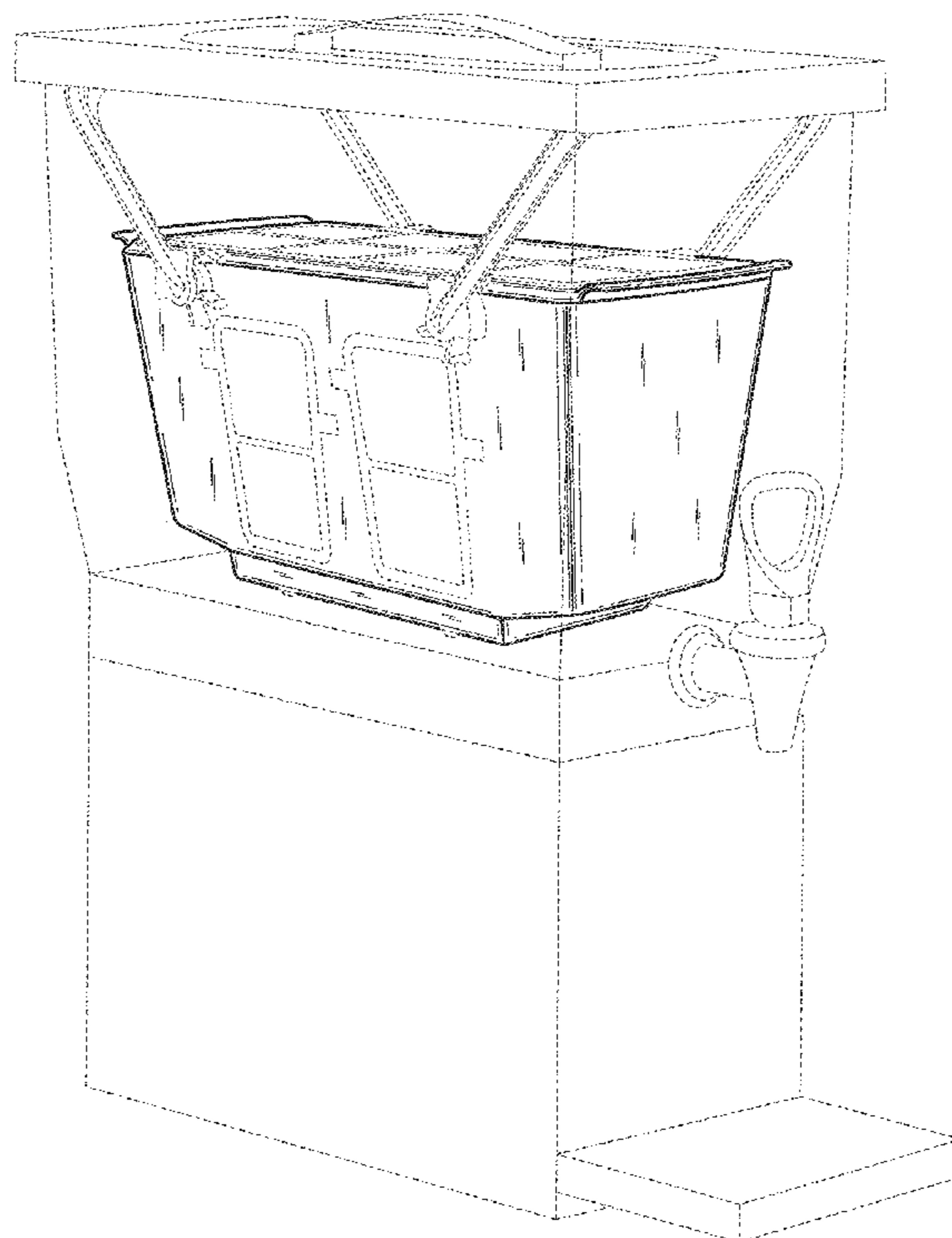
FIG. 1 is a perspective view of our brew basket according to an embodiment of the invention.
FIG. 2 is a first side view of a brew basket according to an embodiment of the invention.
FIG. 3 is a second side view of a brew basket according to an embodiment of the invention.
FIG. 4 is a top view of a brew basket according to an embodiment of the invention.
FIG. 5 is a bottom view of a brew basket according to an embodiment of the invention.
FIG. 6 is a first end view of a brew basket according to an embodiment of the invention; and,
FIG. 7 is a second end view of a brew basket according to an embodiment of the invention.
The broken lines in the drawings represent unclaimed subject matter and form no part of the claim.

1 Claim, 7 Drawing Sheets

(56) **References Cited**

U.S. PATENT DOCUMENTS

- D337,019 S * 7/1993 Newnan D7/308
D366,387 S * 1/1996 Malmberg D7/312
D389,697 S * 1/1998 Smit D7/400
D459,152 S * 6/2002 Fischer D7/400
D460,660 S * 7/2002 Fischer D7/400
D560,430 S * 1/2008 Albrecht D7/400



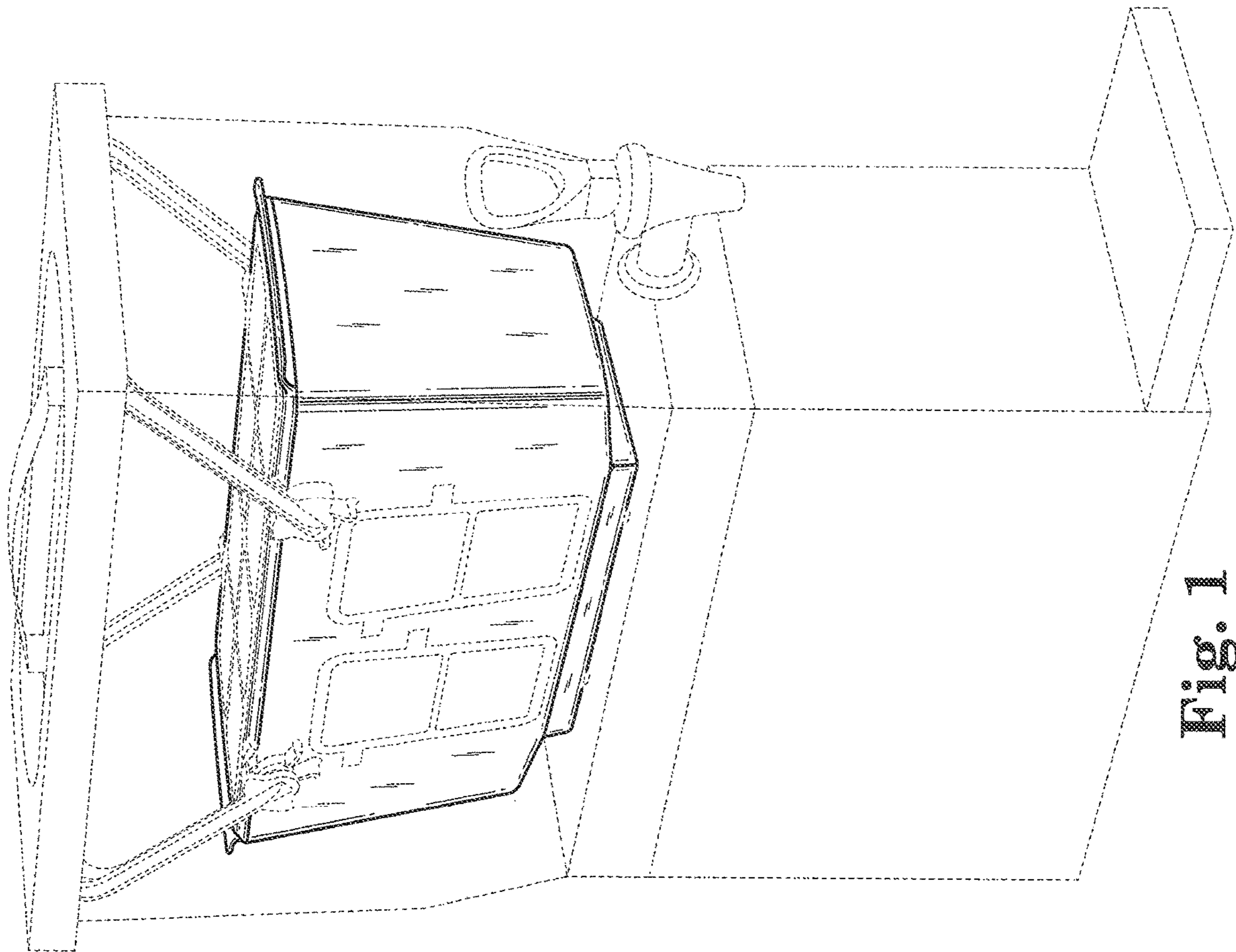


Fig. 1

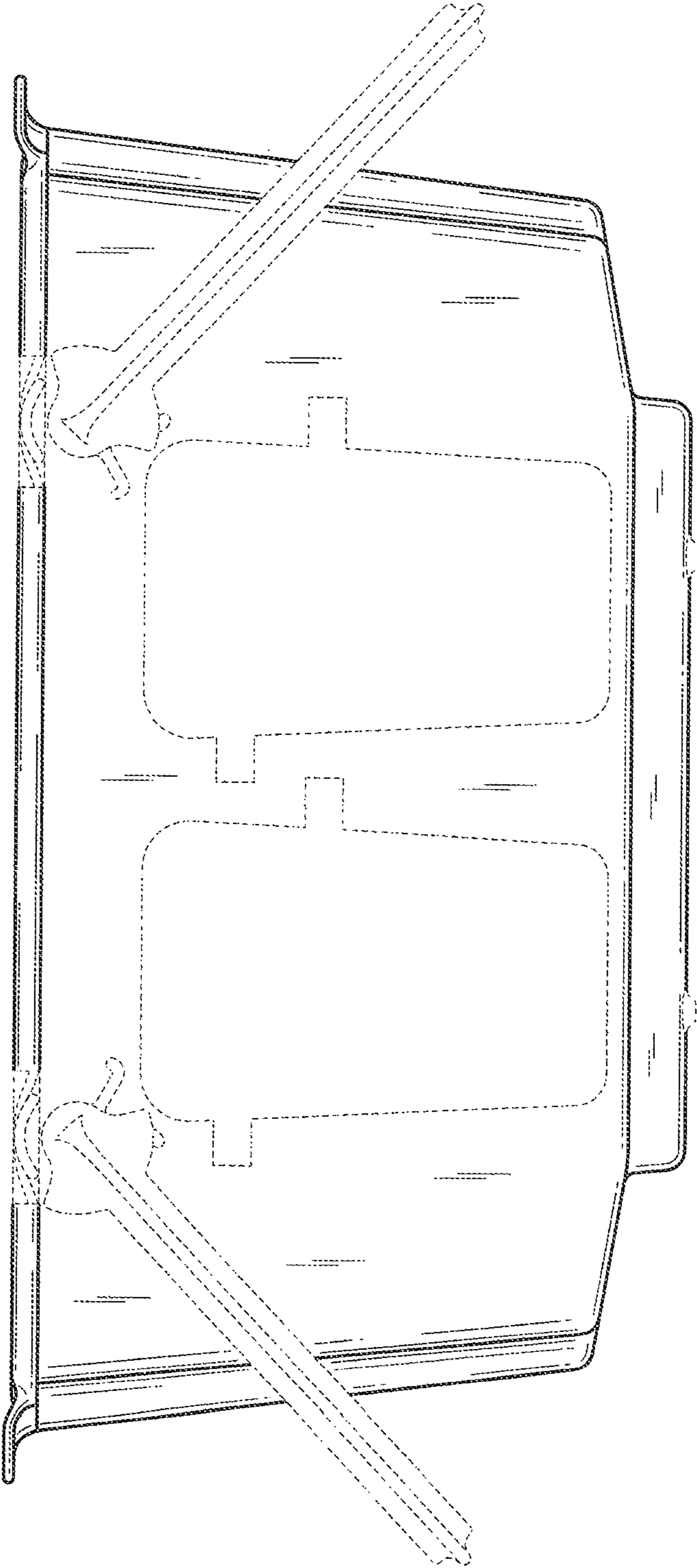


Fig. 2

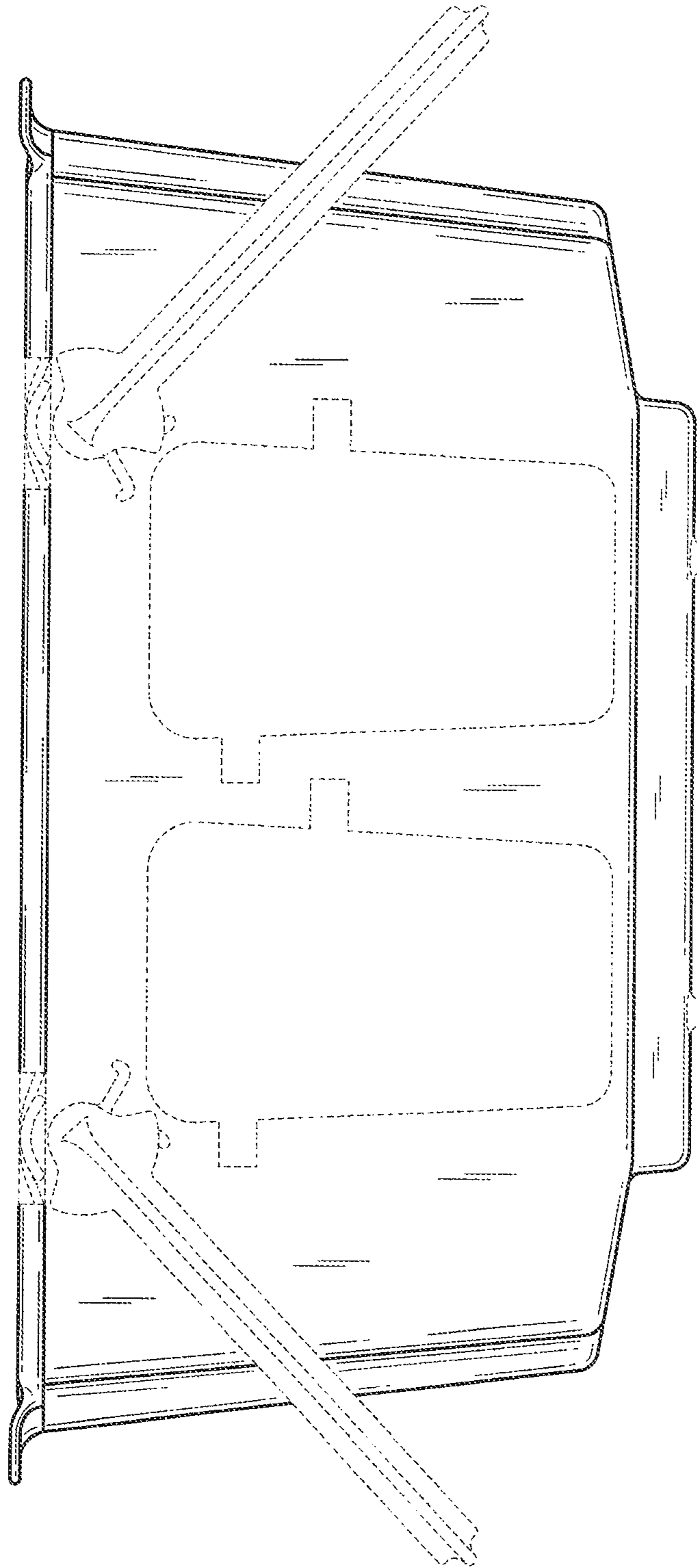


Fig. 3

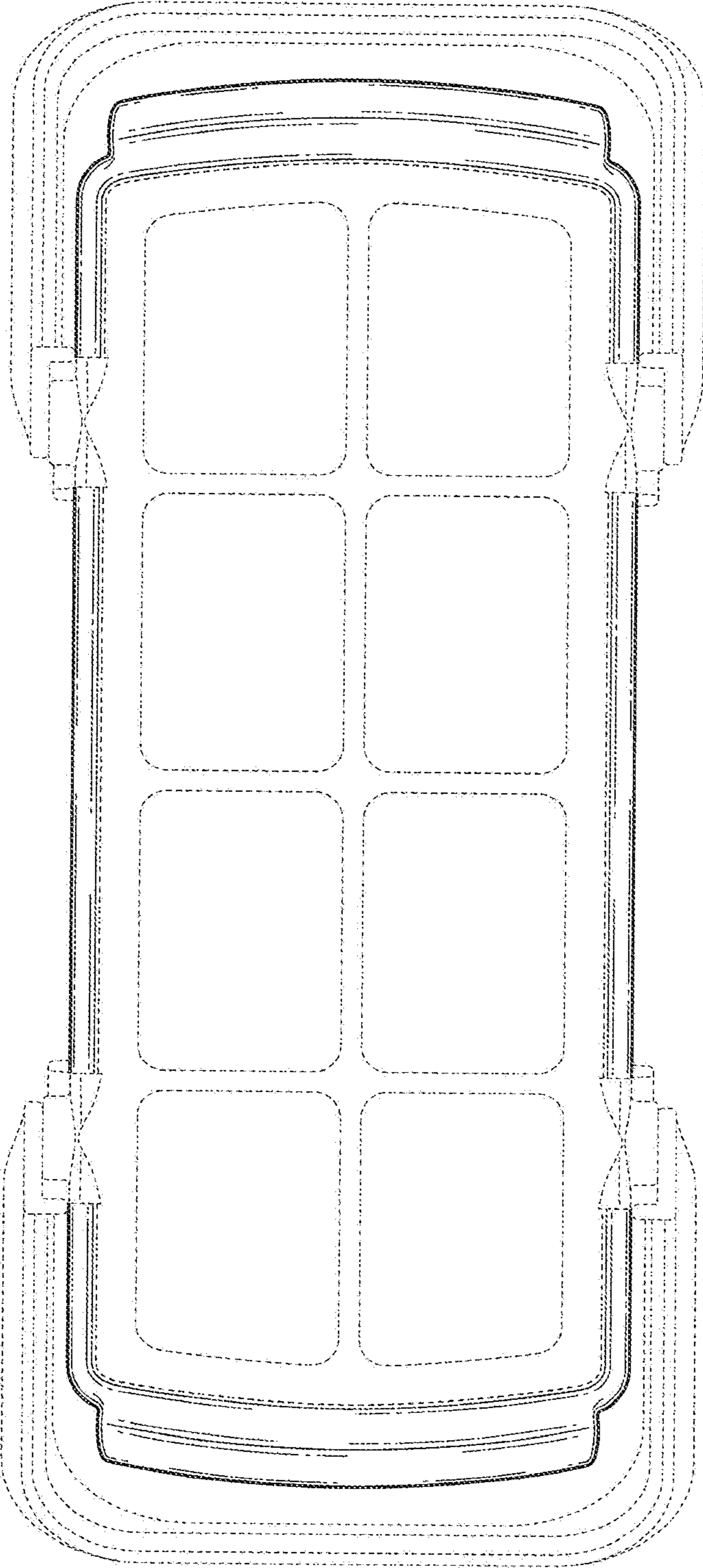


Fig. 4

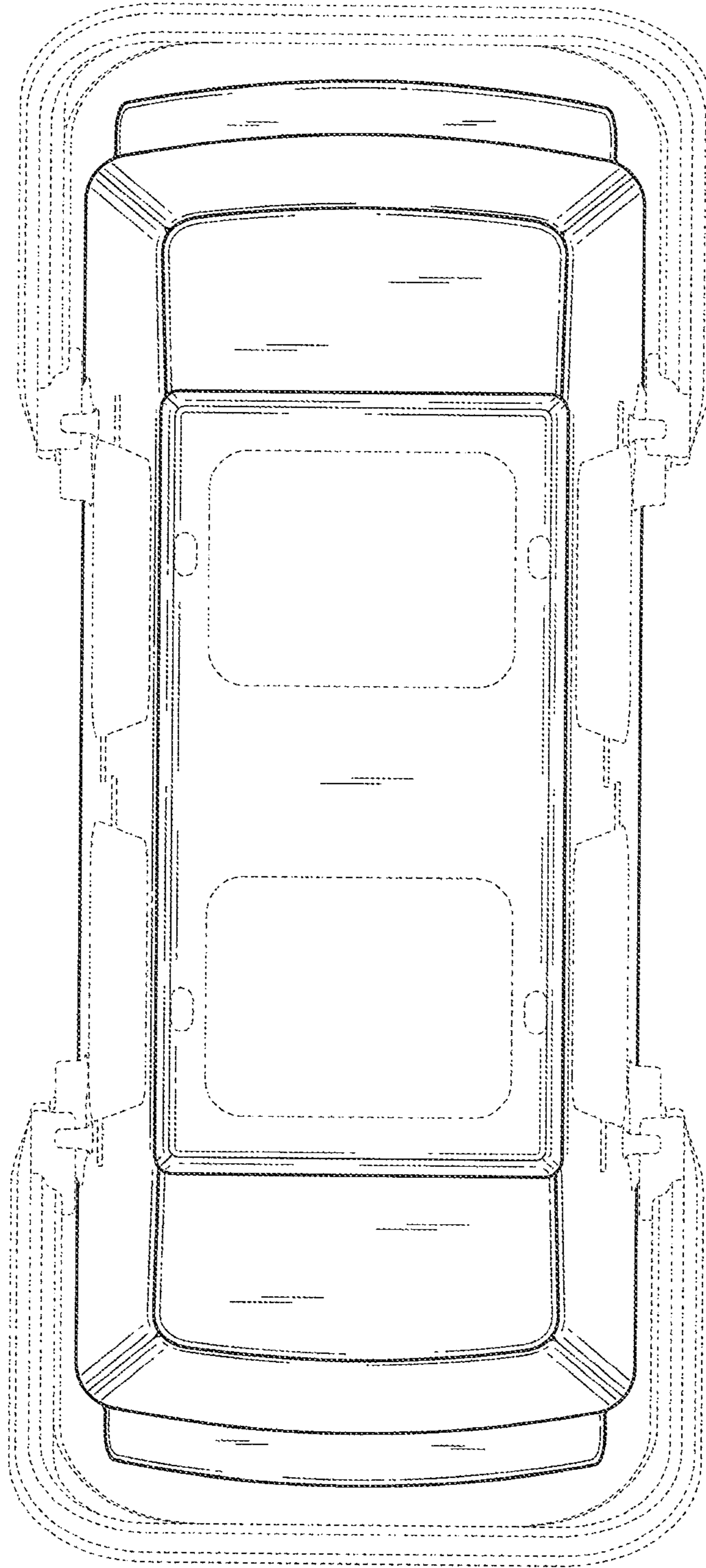


Fig. 5

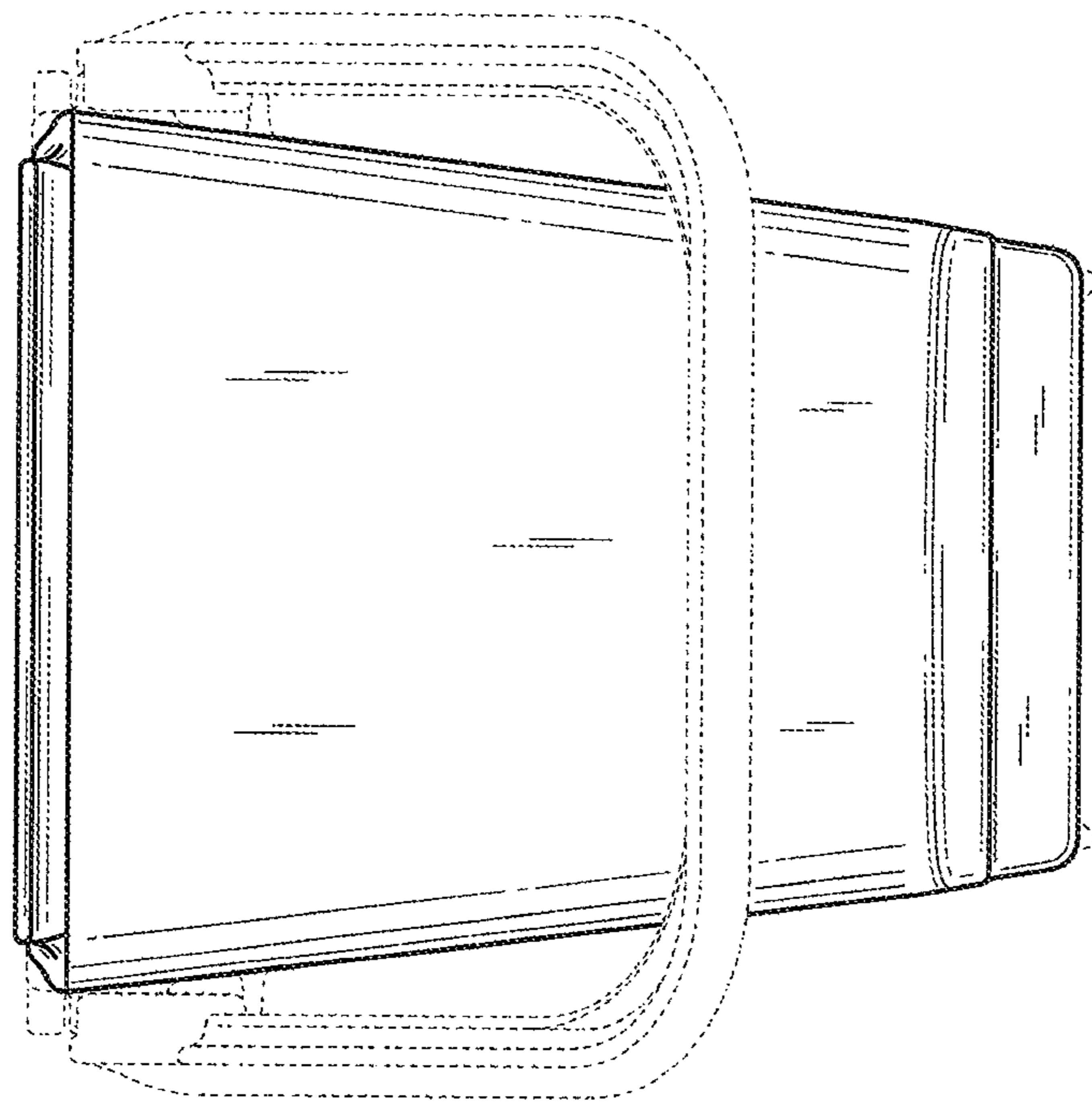


Fig. 6

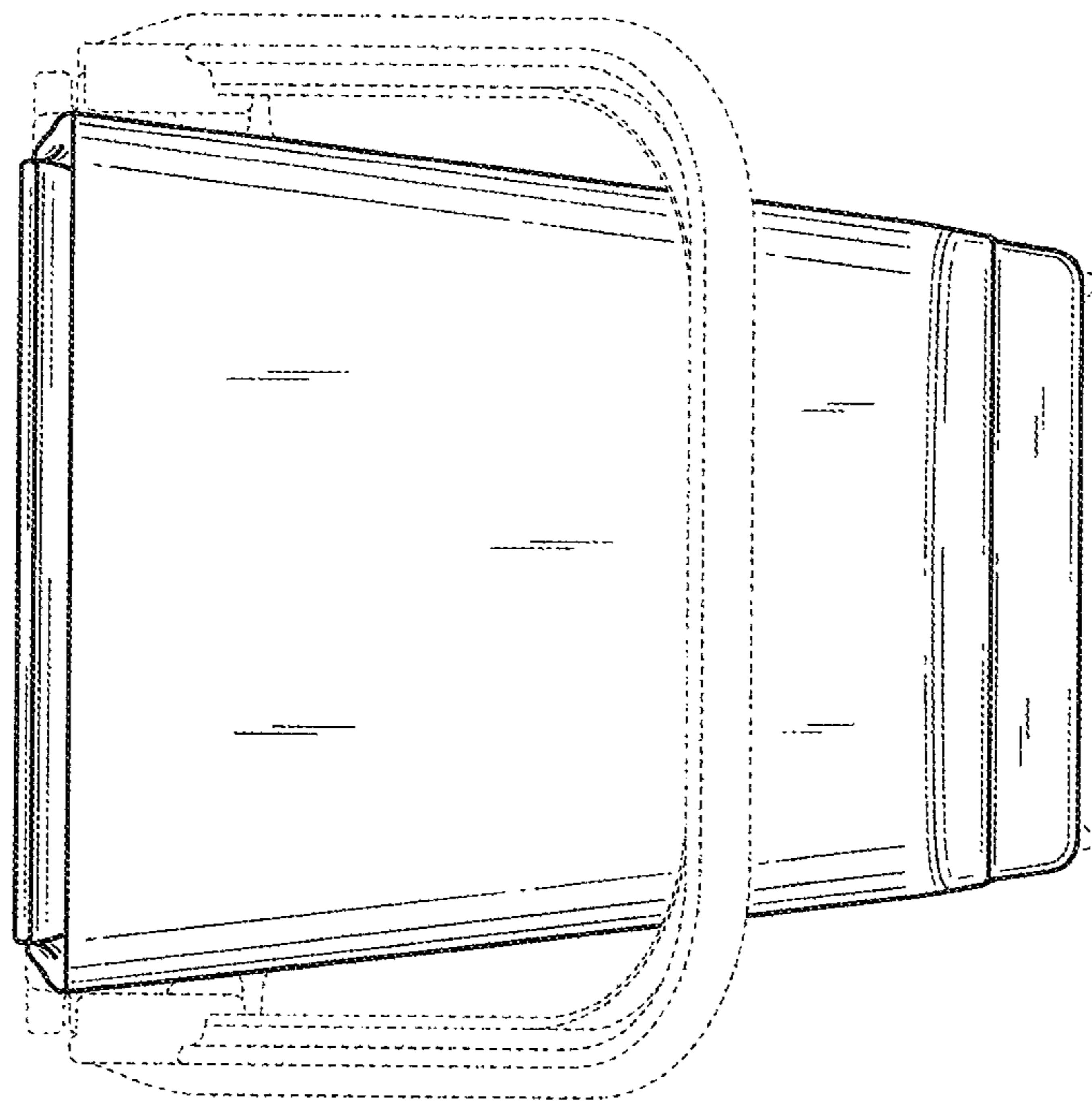


Fig. 7