



US00D918652S

(12) **United States Design Patent**
Pearce et al.

(10) **Patent No.:** **US D918,652 S**
(45) **Date of Patent:** **** May 11, 2021**

(54) **BOTTLE CLOSURE**

(71) Applicant: **Nalge Nunc International Corporation**, Rochester, NY (US)

(72) Inventors: **Emily Elizabeth Pearce**, Somerville, MA (US); **Amanda Holmes**, Cambridge, MA (US); **Tyler Scott Wilson**, San Diego, CA (US)

(73) Assignee: **Nalge Nunc International Corporation**, Rochester, NY (US)

(**) Term: **15 Years**

(21) Appl. No.: **29/716,640**

(22) Filed: **Dec. 11, 2019**

(51) **LOC (13) Cl.** **07-99**

(52) **U.S. Cl.**
USPC **D7/396.2**

(58) **Field of Classification Search**

USPC D7/509, 510, 511, 624.1, 387, 391, 392, D7/392.1, 393, 396.1, 396.2; D9/434, D9/435, 439, 445, 446, 447, 448, 449, D9/451, 454, 438, 440, 443, 452, 453, D9/686, 723, 724, 436; D23/259, 260, D23/261, 209, 210; D24/162, 127
CPC B65D 43/265; B65D 17/506; B65D 47/04; B65D 47/06; B65D 47/08; B65D 47/20; B65D 1/00; B65D 1/02; B65D 1/10; B65D 1/46; B65D 2585/56; B65D 2585/545; B65D 41/00; B65D 41/38; B65D 41/56; B65D 41/62; B65D 47/00; B65D 23/00; B65D 51/1694; B65D 43/0212; B65D 43/0208; B65D 2543/00046; B65D 2543/00092; B65D 1/24; B65D 25/04;

(Continued)

(56) **References Cited**

U.S. PATENT DOCUMENTS

D505,294 S * 5/2005 Gauss D7/392.1
D508,185 S * 8/2005 Gauss D7/392.1

(Continued)

FOREIGN PATENT DOCUMENTS

KP 3009639560001 7/2018

OTHER PUBLICATIONS

Nalgene Wide Mouth Lock Top: Announced Aug. 6, 2020 [online]. Site Visited [Dec. 28, 2020], Available from Internet URL: <https://nalgene.com/product/32oz-wide-mouth-lock-top/>.*

Primary Examiner — Catherine S Posthauer

(74) *Attorney, Agent, or Firm* — Wood Herron & Evans LLP

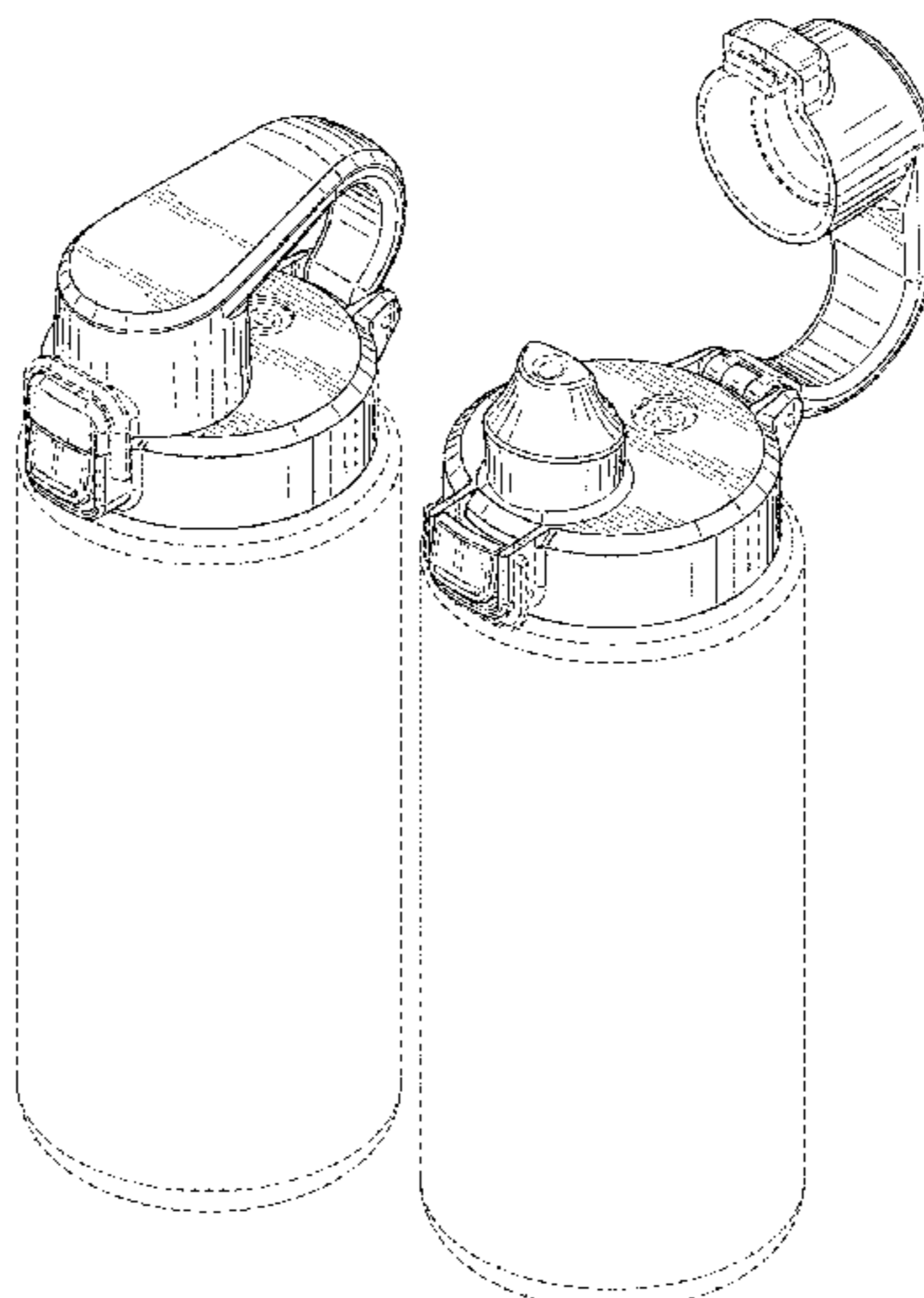
(57) **CLAIM**

The ornamental design for a bottle closure, as shown and described.

DESCRIPTION

FIG. 1 is a front right isometric view of a bottle closure, showing our new design, in a position of use with an exemplary bottle;
FIG. 2 is a rear left isometric view thereof;
FIG. 3 is a front elevation view thereof, showing the exemplary bottle removed to show aspects of the design not visible when combined;
FIG. 4 is a rear elevation view thereof;
FIG. 5 is a right-side elevation view thereof, the left side elevation view being a mirror image;
FIG. 6 is a cross-sectional view taken along line 6-6 of FIG. 3;
FIG. 7 is a top plan view thereof; and,
FIG. 8 is a front right isometric view, thereof, shown in a position of use with the exemplary bottle, and further showing the closure in an open position of use.
The consistently broken lines are shown for the purpose of illustrating both parts of the article as well as environmental subject matter of an exemplary bottle. None of the broken lines form part of the claimed design.

1 Claim, 6 Drawing Sheets



(58) **Field of Classification Search**
 CPC .. B65D 43/09; B65D 43/16; A61J 1/00; A61J
 1/1412; A61J 1/02
 See application file for complete search history.

(56) **References Cited**

U.S. PATENT DOCUMENTS

D543,454 S * 5/2007 Leoncavallo D9/449
 D589,743 S * 4/2009 Pearson D7/392
 D620,355 S * 7/2010 Nardini D9/443
 D634,972 S * 3/2011 Staton D7/392.1
 D638,658 S 5/2011 Staton
 D714,584 S 10/2014 Boroski
 D792,216 S 7/2017 Breit et al.
 D795,009 S * 8/2017 Alprin D7/392.1
 D801,111 S 10/2017 Eyal
 D808,213 S * 1/2018 Lown D7/396.2
 D817,085 S 5/2018 Davis
 D820,635 S * 6/2018 Hammer D7/392.1
 D824,721 S 8/2018 Hu
 D835,938 S * 12/2018 Zou D7/392.1
 D836,386 S 12/2018 Ayriss et al.
 D847,563 S 5/2019 Jacobsen
 D848,786 S 5/2019 Bujalska
 D848,787 S * 5/2019 Tatsukawa D7/392.1

D853,784 S * 7/2019 Wu D7/392.1
 D856,067 S 8/2019 Barber
 D858,181 S * 9/2019 Lown D7/392.1
 D858,182 S * 9/2019 Keung D7/392.1
 D862,977 S 10/2019 Bohman et al.
 D867,811 S 11/2019 Lane et al.
 D869,230 S * 12/2019 Hao D7/392.1
 D870,509 S * 12/2019 Bo D7/392.1
 10,512,347 B1 12/2019 Shepard et al.
 D874,214 S 2/2020 Breit et al.
 D879,550 S 3/2020 Lane et al.
 D881,640 S 4/2020 Nichols et al.
 D882,335 S 4/2020 Lane et al.
 D884,418 S 5/2020 Wang
 D886,518 S 6/2020 Li
 D890,564 S * 7/2020 Hao D7/392.1
 D894,669 S 9/2020 Lane et al.
 D894,670 S * 9/2020 Adams, Jr. D7/392.1
 D895,352 S 9/2020 Yao
 D896,572 S * 9/2020 Nichols D7/392.1
 D902,648 S * 11/2020 Wang D7/392.1
 D903,404 S * 12/2020 Bram D7/392.1
 D903,406 S * 12/2020 McCabe D7/392.1
 D903,407 S * 12/2020 McCabe D7/392.1
 2016/0150914 A1 6/2016 Waggoner et al.
 2019/0359394 A1 * 11/2019 Suzuki B65D 47/08

* cited by examiner

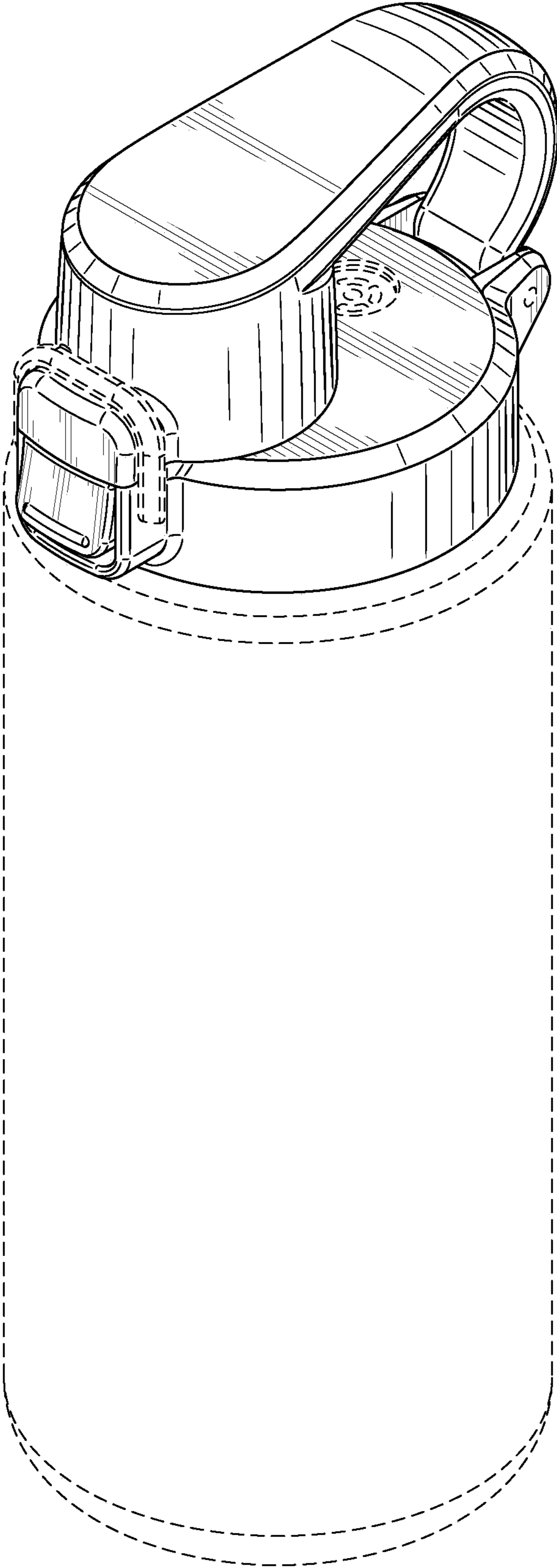


FIG. 1

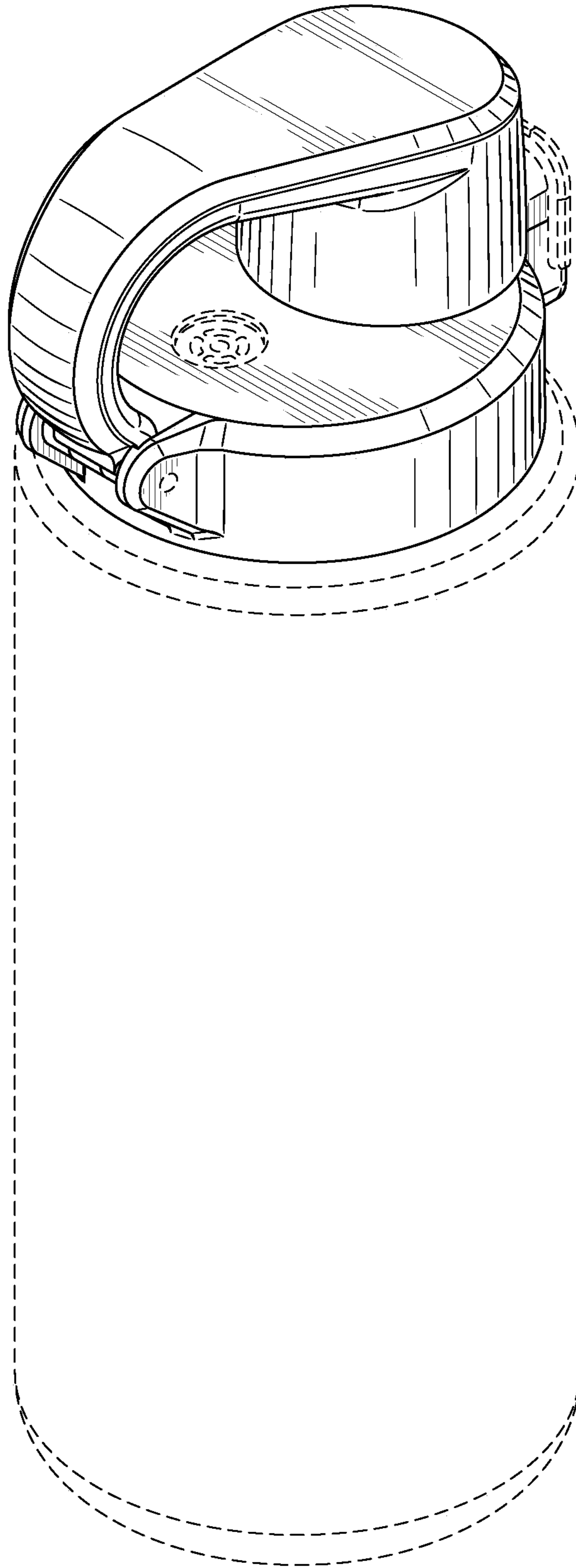


FIG. 2

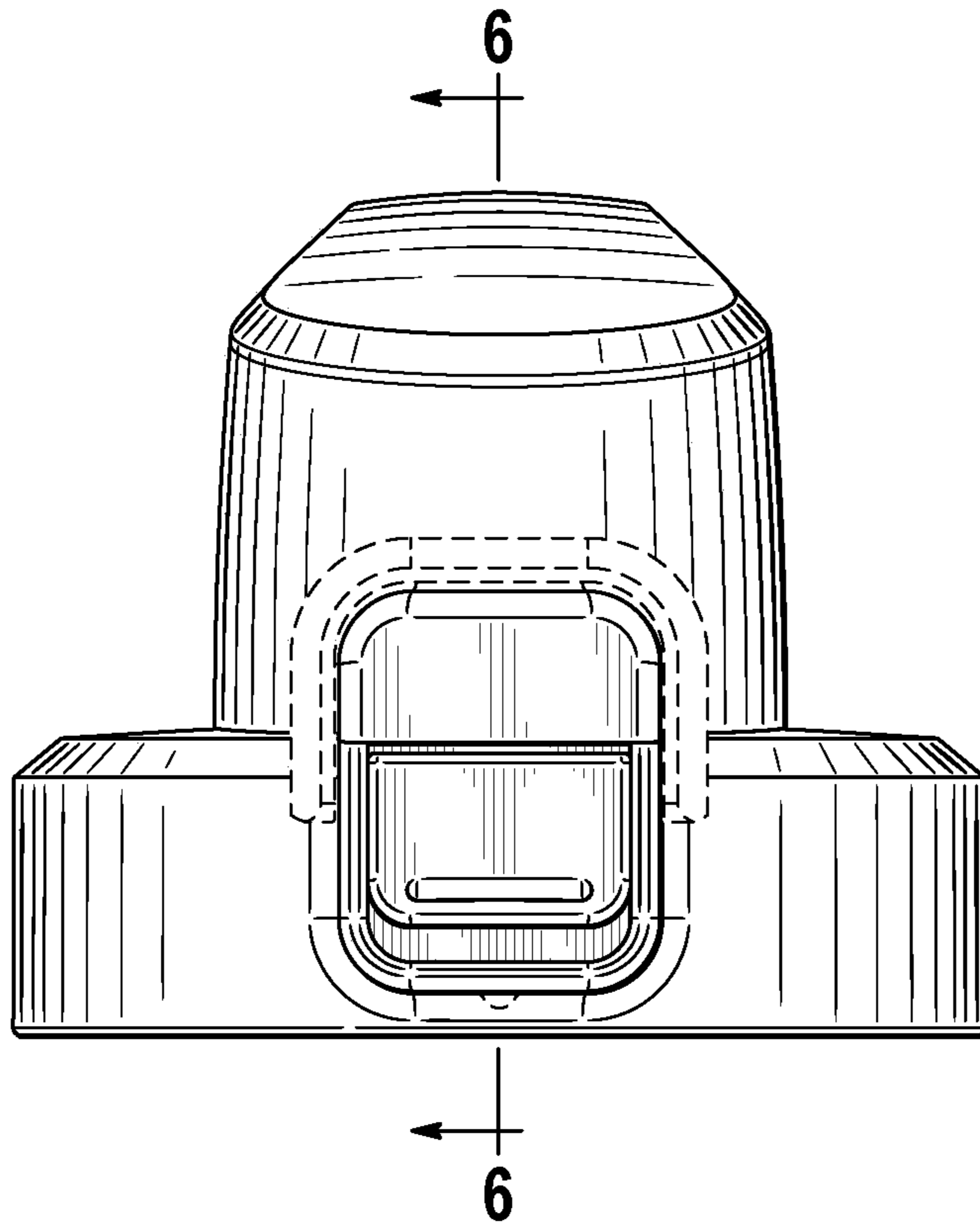


FIG. 3

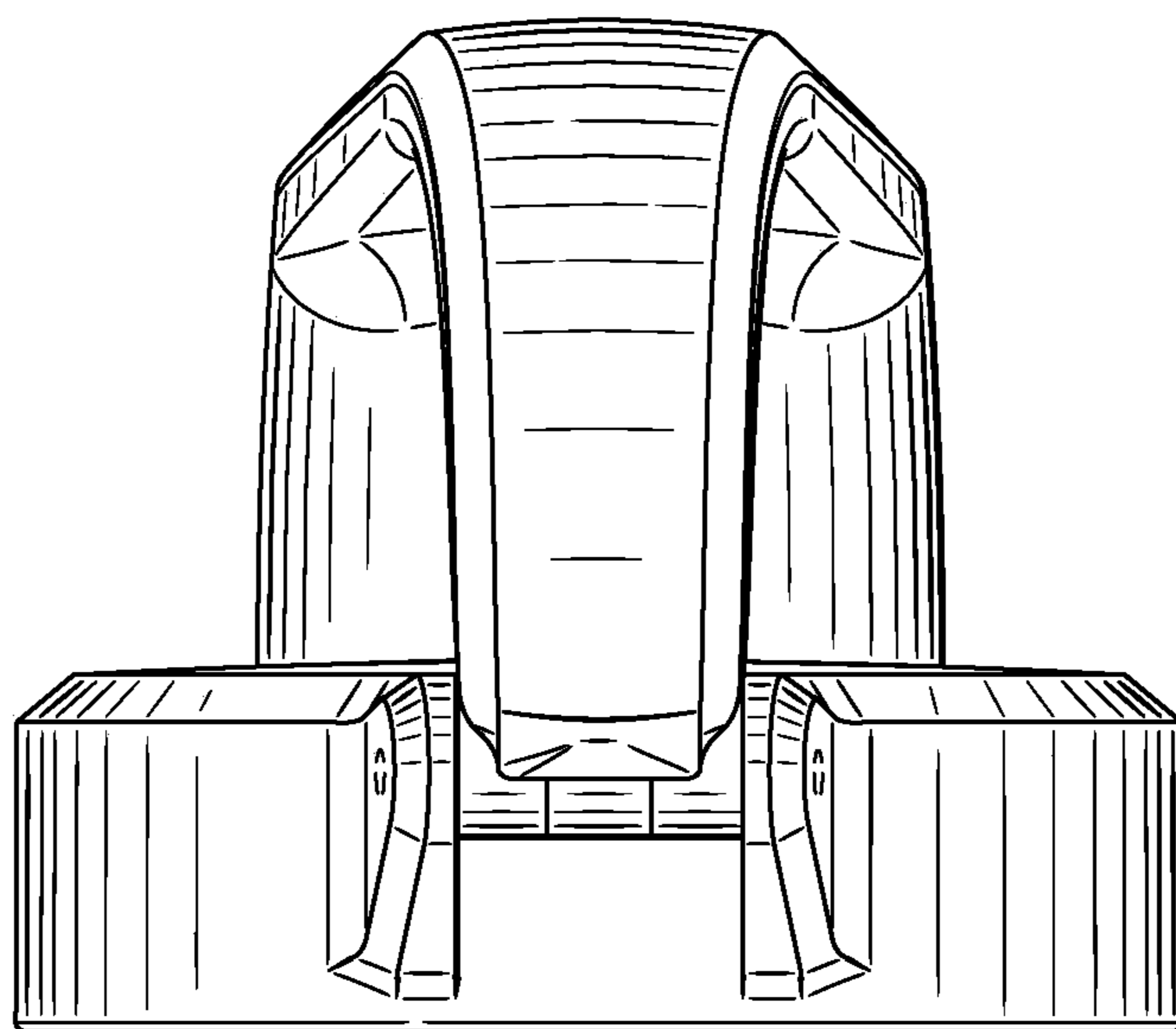


FIG. 4

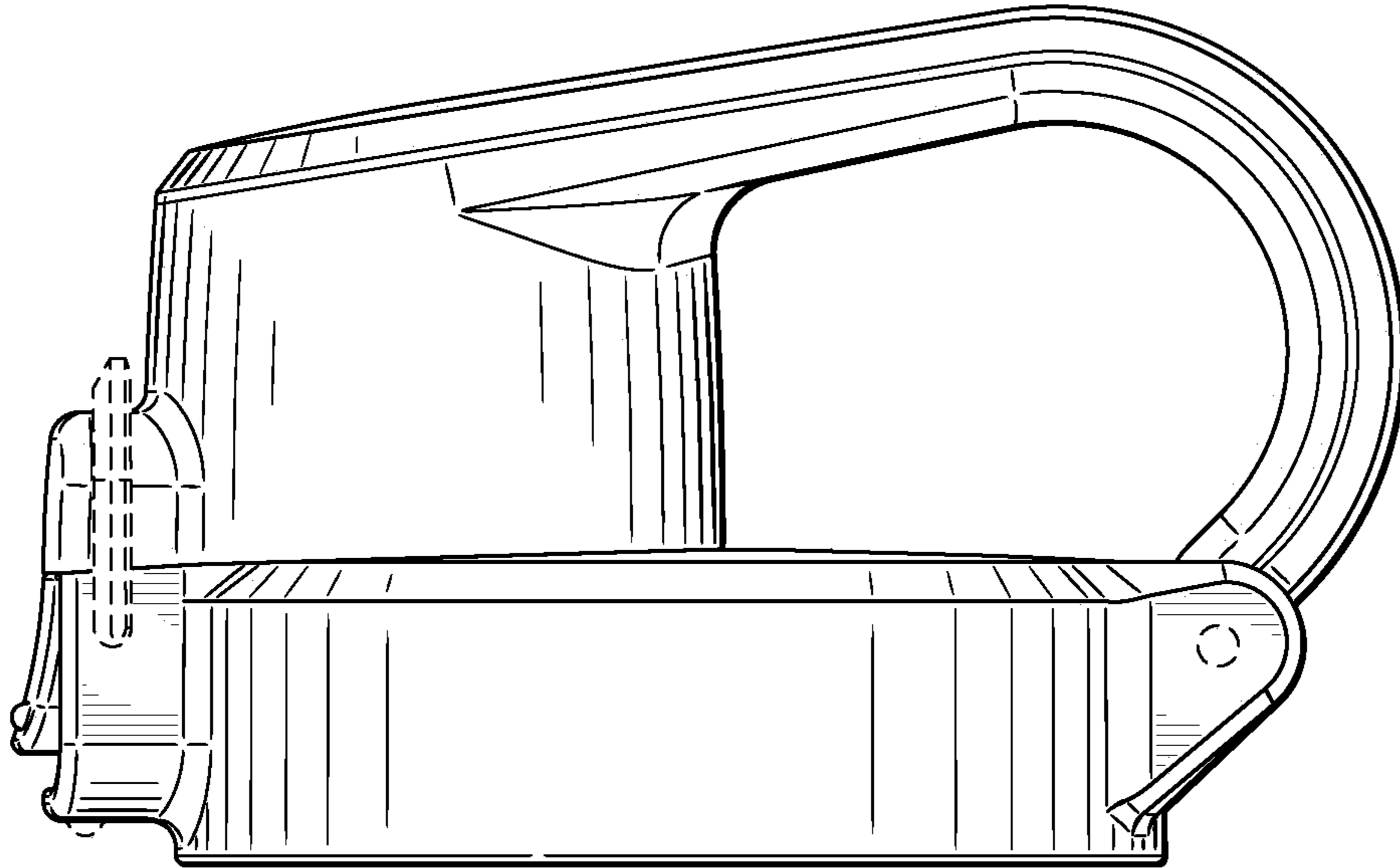


FIG. 5

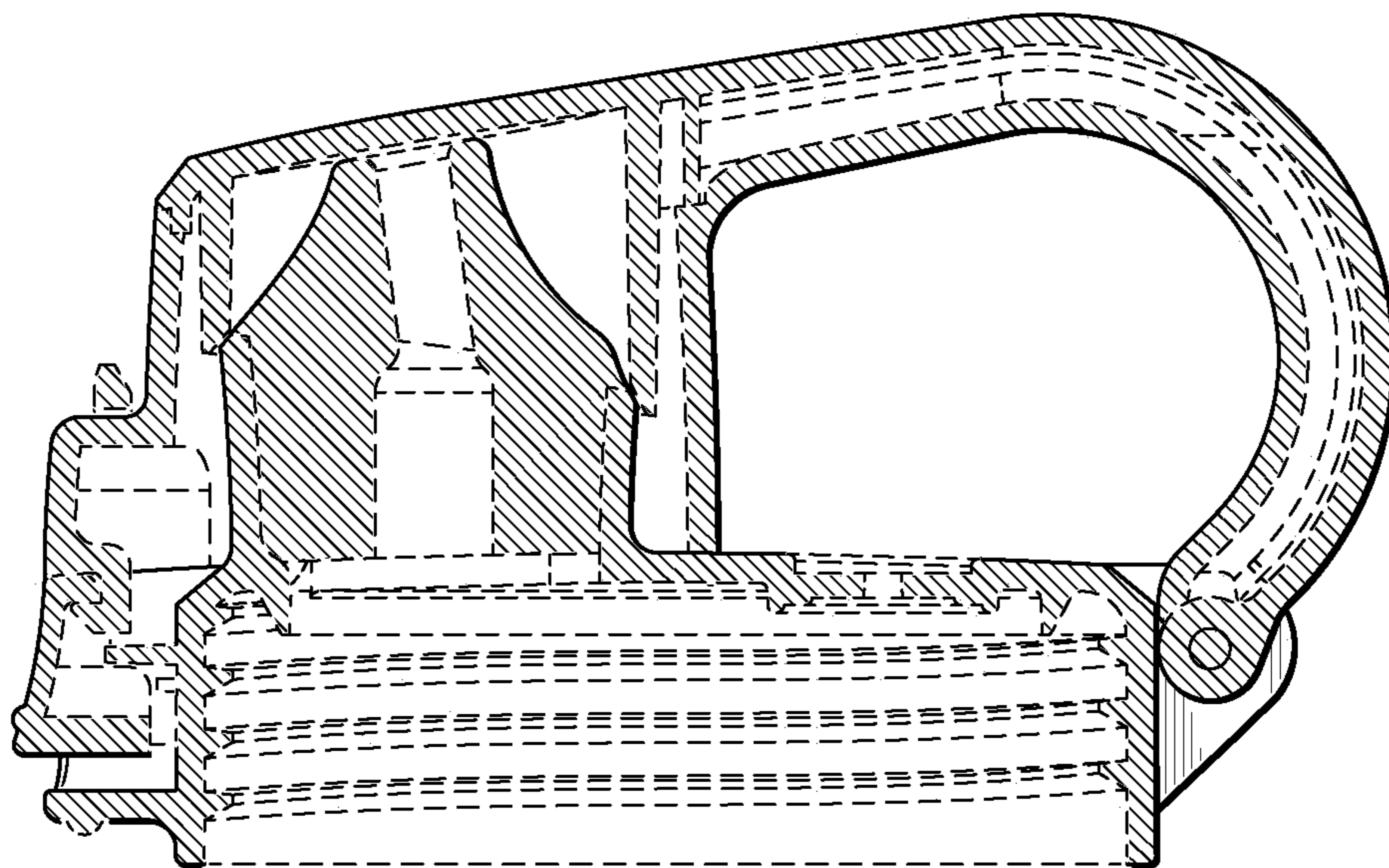


FIG. 6

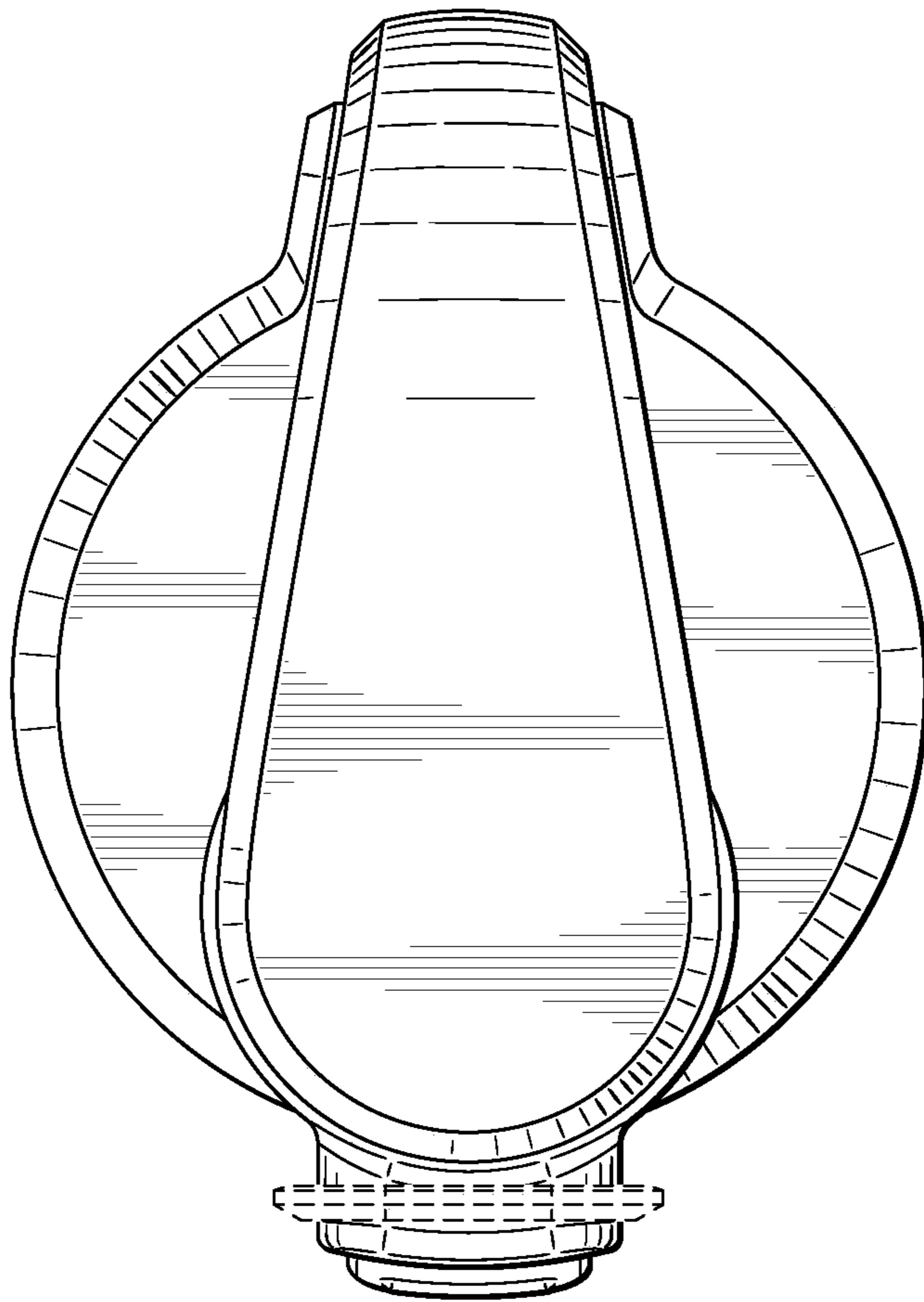


FIG. 7

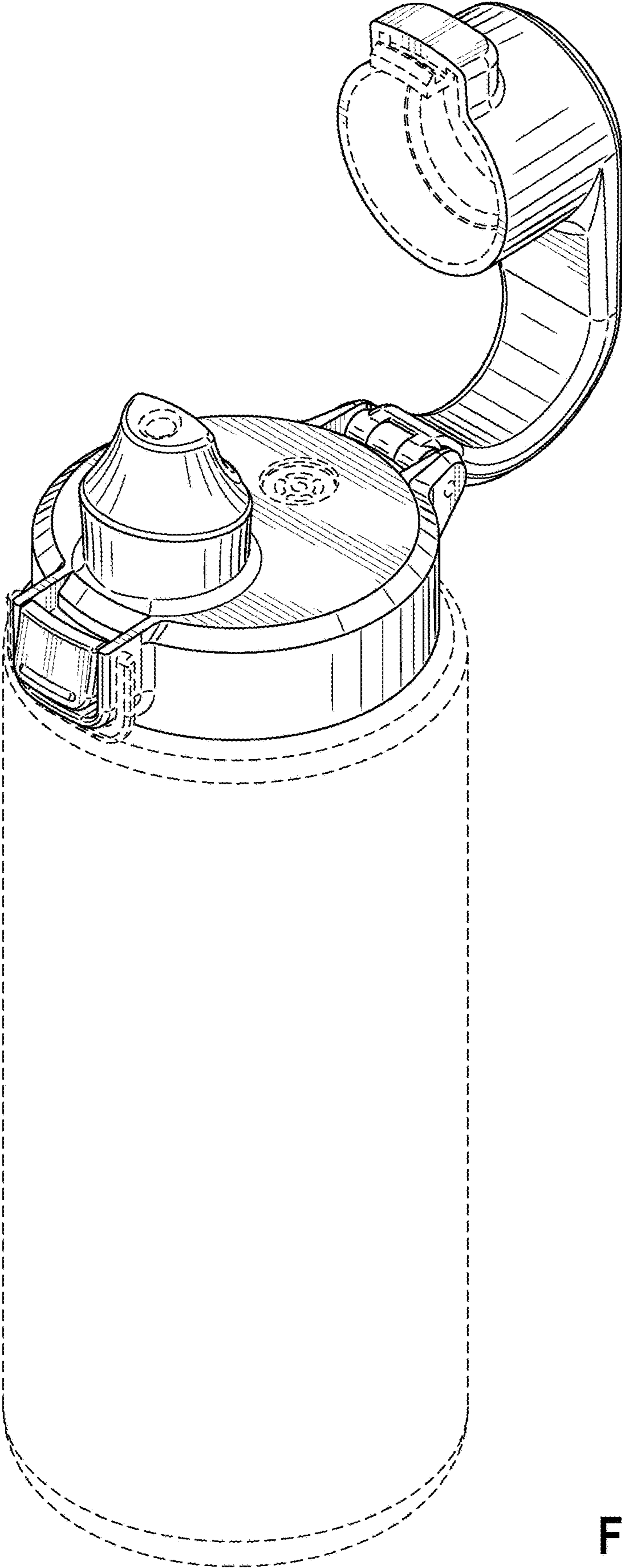


FIG. 8