



US00D918651S

(12) **United States Design Patent**
Strominger

(10) **Patent No.:** **US D918,651 S**

(45) **Date of Patent:** **** May 11, 2021**

(54) **SNACK CONTAINER LID FOR A DRINKING CUP**

17/00; B05B 15/002; A45D 34/00; A45D 34/042; A45D 2040/0006; A45D 2040/093

(71) Applicant: **Bonnie Sussman Strominger**, New York, NY (US)

See application file for complete search history.

(72) Inventor: **Bonnie Sussman Strominger**, New York, NY (US)

(56) **References Cited**

(73) Assignee: **CRAZY MINDS LLC**, New York, NY (US)

U.S. PATENT DOCUMENTS

(**) Term: **15 Years**

4,770,318 A	9/1988	Earl	
D309,105 S *	7/1990	Fisher	D9/425
4,955,503 A	9/1990	Propes	
D322,757 S *	12/1991	Payne	D9/425
5,137,210 A	8/1992	Hibbs	

(Continued)

(21) Appl. No.: **29/541,400**

(22) Filed: **Oct. 2, 2015**

OTHER PUBLICATIONS

(51) **LOC (13) Cl.** **07-01**

Spoontiques 2 in 1 combo snack drink cup: Site Visited [Jan. 17, 2020 [online]. Available from Internet URL: <https://funsationalfinds.com/products/spoontiques-m-m-2-in-1-combo-snack-drink-cup-16-oz.>*

(52) **U.S. Cl.**

USPC **D7/396.2**

(58) **Field of Classification Search**

USPC D3/202, 203.1, 203.2, 318, 273, 275, D3/294; D6/515, 516, 518, 522, 523, D6/535, 541, 542; D7/300, 300.1, 316, D7/317, 387, 391, 392.1, 393, 396.2, 509, D7/510, 511, 531, 538-542, 549, 601, D7/602, 612-615, 629, 703, 900; D9/428, 434, 435, 438, 439, 440, 443, D9/446, 447, 448, 449, 450, 452, 453, D9/454, 502, 503, 504, 529, 549, 559, D9/628, 728, 734; D19/70, 71, 93, 96, D19/115, 162, 163, 165, 192, 194; D26/36, 123, 124; D28/7, 76, 78, 82, 91; D23/260; 220/203.1, 574-575, 780-806; 222/321.1-321.9, 282, 251, 602

CPC A62C 31/02; B65D 1/02; B65D 1/0233; B65D 1/08; B65D 1/10; B65D 25/00; B65D 25/40; B65D 25/42; B65D 25/46; B65D 25/48; B65D 25/77; B65D 39/00; B65D 39/0047; B65D 41/00; B65D 43/00; B65D 43/02; B65D 51/02; B65D 51/04; B65D 1/04; B65D 81/3205; B65D 1/265; B65D 21/0209; B65D 21/0228; B65D 51/28; B65D 2231/022; B05B

Primary Examiner — Catherine S Posthauer

(74) *Attorney, Agent, or Firm* — BakerHostetler

(57) **CLAIM**

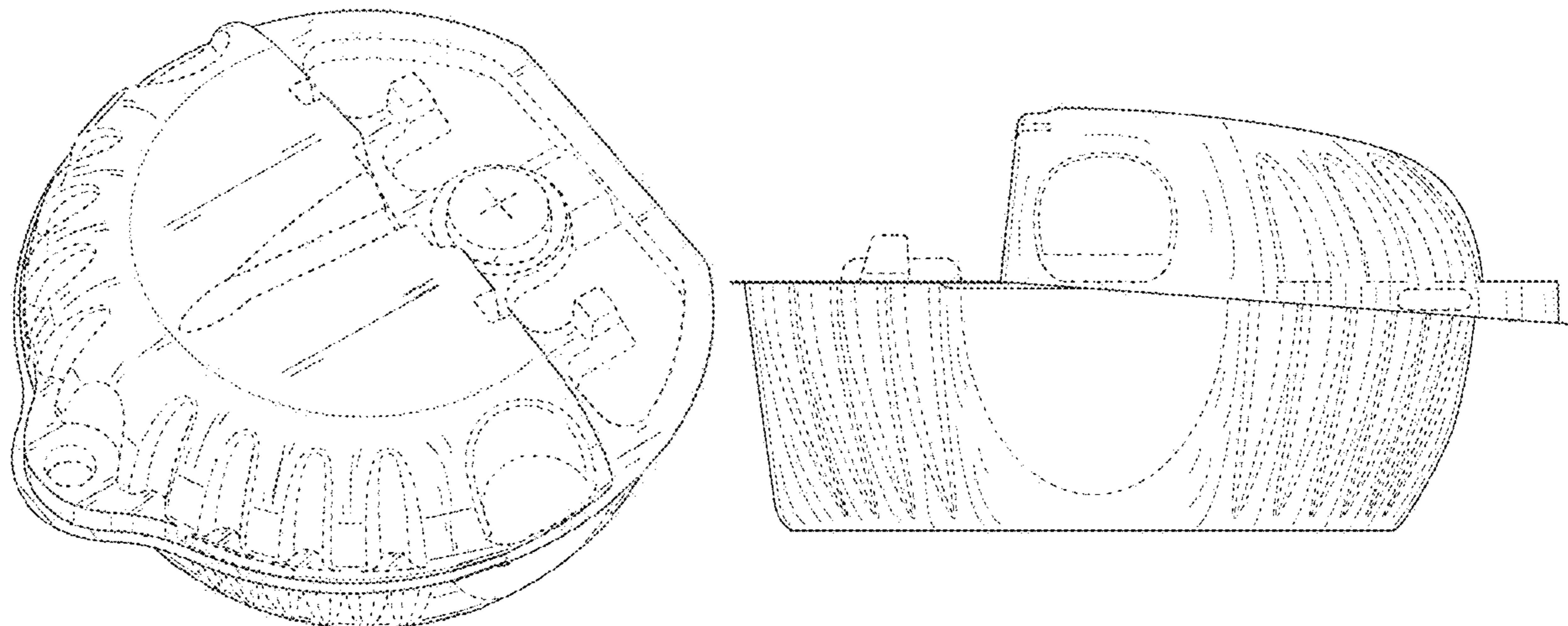
The ornamental design for a snack container lid for a drinking cup, as shown and described herein.

DESCRIPTION

FIG. 1 is a perspective view of a snack container lid for drinking for showing my new design;
 FIG. 2 is a front view thereof;
 FIG. 3 is a back view thereof;
 FIG. 4 is a first side view thereof;
 FIG. 5 is an opposite side view thereof;
 FIG. 6 is a top view thereof; and,
 FIG. 7 is a bottom view thereof.

The broken lines are shown for the purpose of illustrating both parts of the article as well as the boundaries of the claim. None of the broken lines form part of the claim.

1 Claim, 7 Drawing Sheets



(56)

References Cited

U.S. PATENT DOCUMENTS

5,180,079 A 1/1993 Jeng
 D351,706 S * 10/1994 Breen D34/11
 D395,754 S * 7/1998 Sautter D3/294
 D409,043 S * 5/1999 Lillelund D7/392
 D418,363 S * 1/2000 Barnes D7/392
 6,102,209 A * 8/2000 D'Andrea A45D 40/0068
 206/581
 D467,499 S 12/2002 Garza et al.
 D478,779 S * 8/2003 Stamper, III D7/510
 D480,968 S 10/2003 Atkins et al.
 D496,154 S * 9/2004 Herman D3/203.1
 D518,996 S * 4/2006 Schmidt D7/392
 D524,153 S * 7/2006 Reinhard D9/428
 7,111,748 B2 9/2006 Cha
 D530,911 S * 10/2006 Guitay D3/273
 D535,144 S * 1/2007 George D7/392.1
 D545,055 S * 6/2007 Lieberman D3/203.1
 D577,998 S * 10/2008 Decottignies D9/448
 D604,565 S * 11/2009 Roth D7/629
 D609,009 S * 2/2010 Schaal D3/294
 7,676,909 B2 3/2010 MacKenzie et al.
 D625,999 S * 10/2010 Arnell D9/449
 D628,021 S * 11/2010 Curtin D7/629
 D629,300 S * 12/2010 Arnell D9/449
 D630,905 S * 1/2011 Cornu D7/538
 7,882,991 B2 2/2011 Schechter
 D636,634 S * 4/2011 Kemper D7/396.1
 D653,906 S * 2/2012 Bull D7/391
 D664,035 S * 7/2012 Hu D9/435

D666,863 S * 9/2012 Fallon D7/300
 D683,580 S * 6/2013 Rosenfeld D7/392
 D688,093 S * 8/2013 Roth D7/392.1
 D691,414 S * 10/2013 Trombly D7/392.1
 D695,576 S * 12/2013 Roehrig D7/629
 8,631,957 B2 1/2014 Dart et al.
 D709,320 S * 7/2014 Jagger D7/392.1
 8,939,312 B1 * 1/2015 Buck A47G 19/065
 220/212
 8,973,776 B1 * 3/2015 Buck A47G 19/2272
 220/521
 D727,730 S * 4/2015 Buschmann D9/449
 D731,793 S * 6/2015 Houghton D3/294
 D795,058 S * 8/2017 Buck D9/428
 2008/0073415 A1 3/2008 Kuighadush
 2008/0099494 A1 5/2008 Boukais et al.
 2010/0015293 A1 * 1/2010 Shapiro B65D 1/34
 426/87
 2011/0210126 A1 9/2011 Vovan
 2011/0303678 A1 * 12/2011 Zomorodi B65D 81/3205
 220/574
 2012/0168329 A1 7/2012 Berggren
 2012/0168440 A1 7/2012 Nerswick et al.
 2012/0273500 A1 11/2012 Yao
 2013/0001233 A1 1/2013 Hylton
 2013/0056463 A1 3/2013 Buck
 2013/0228486 A1 9/2013 Buck
 2014/0216959 A1 * 8/2014 Raymus A47G 19/2272
 206/221
 2014/0346169 A1 * 11/2014 Strominger B65D 21/0209
 220/23.83

* cited by examiner

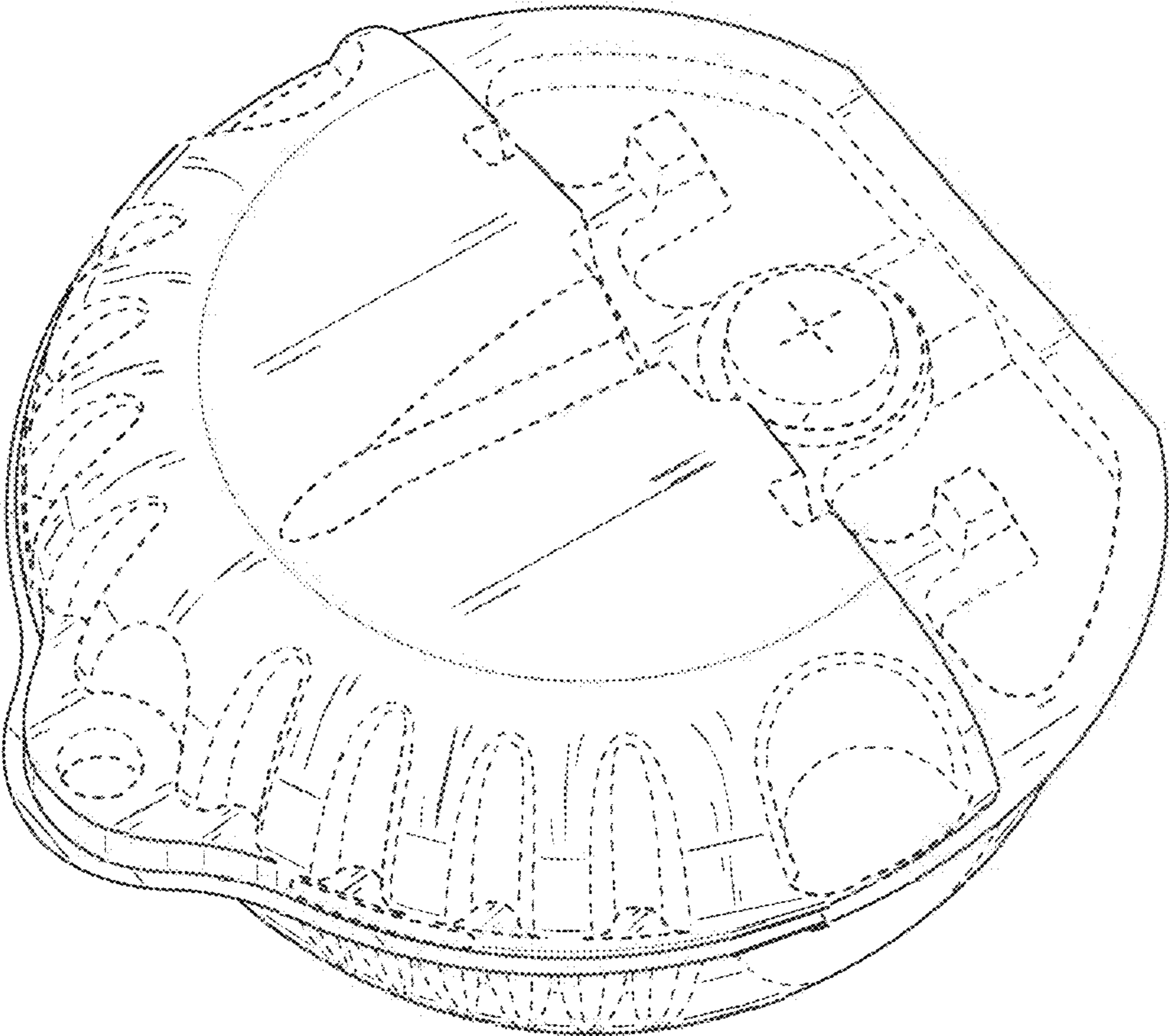


FIG. 1

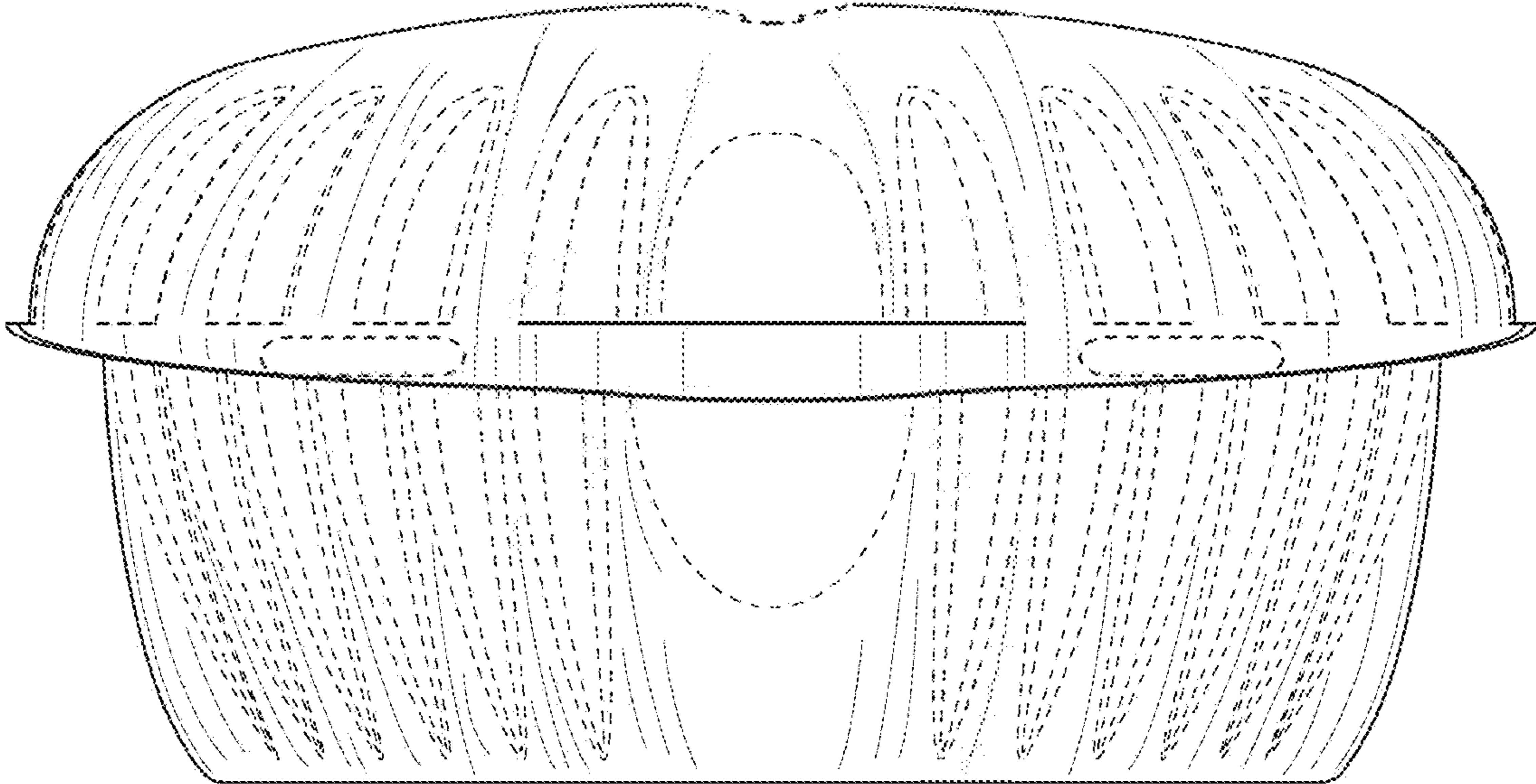


FIG. 2

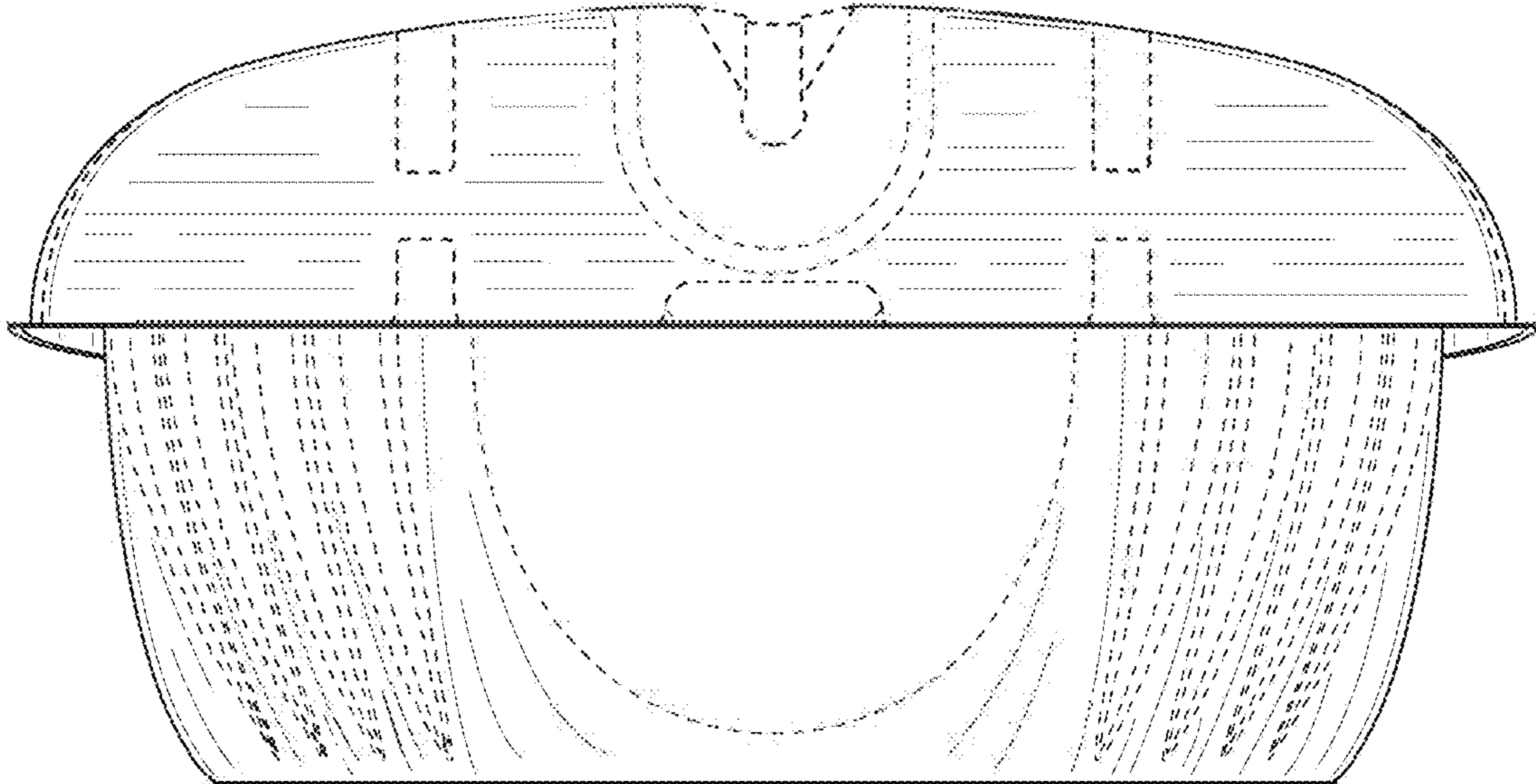


FIG. 3

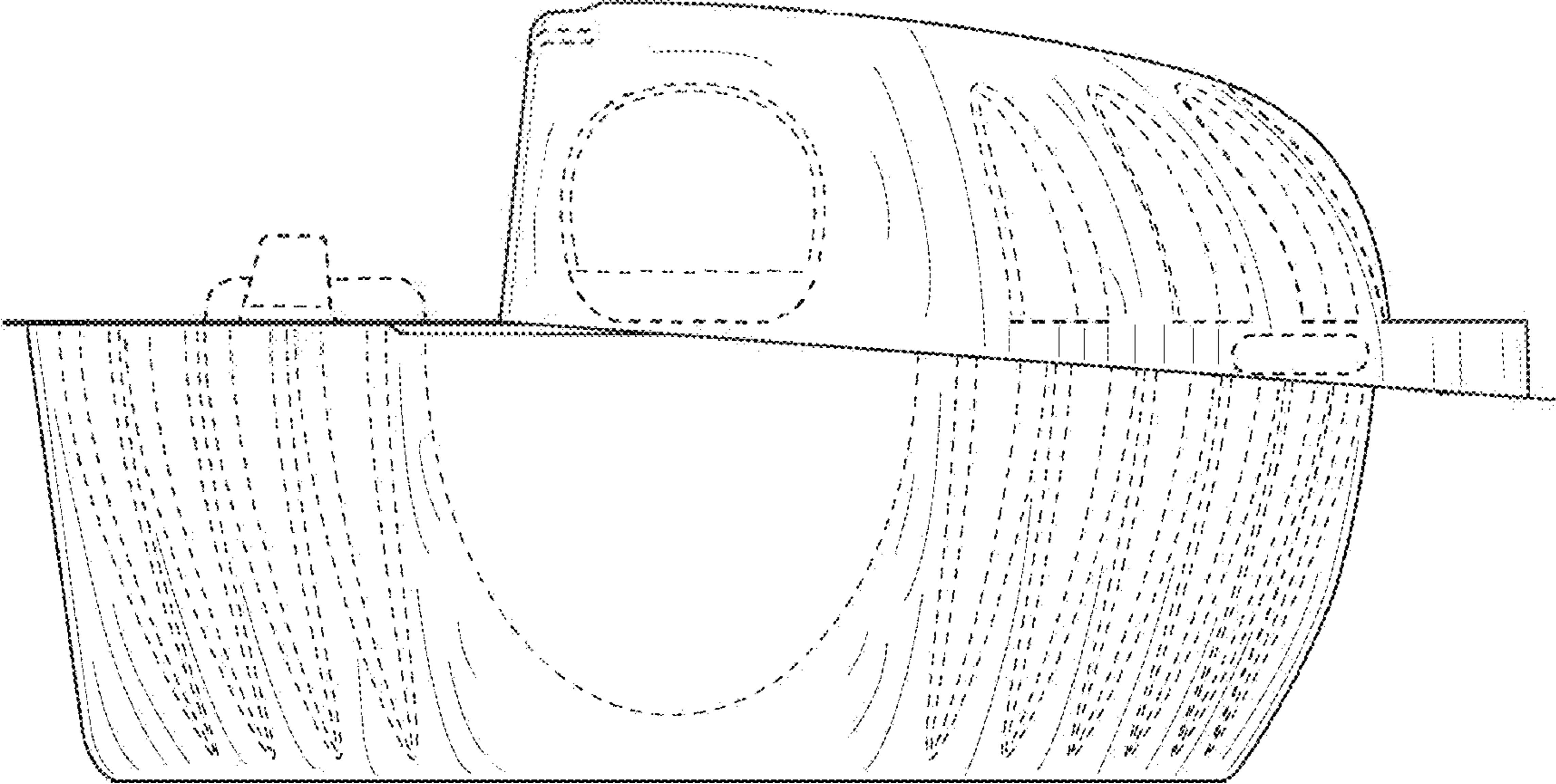


FIG. 4

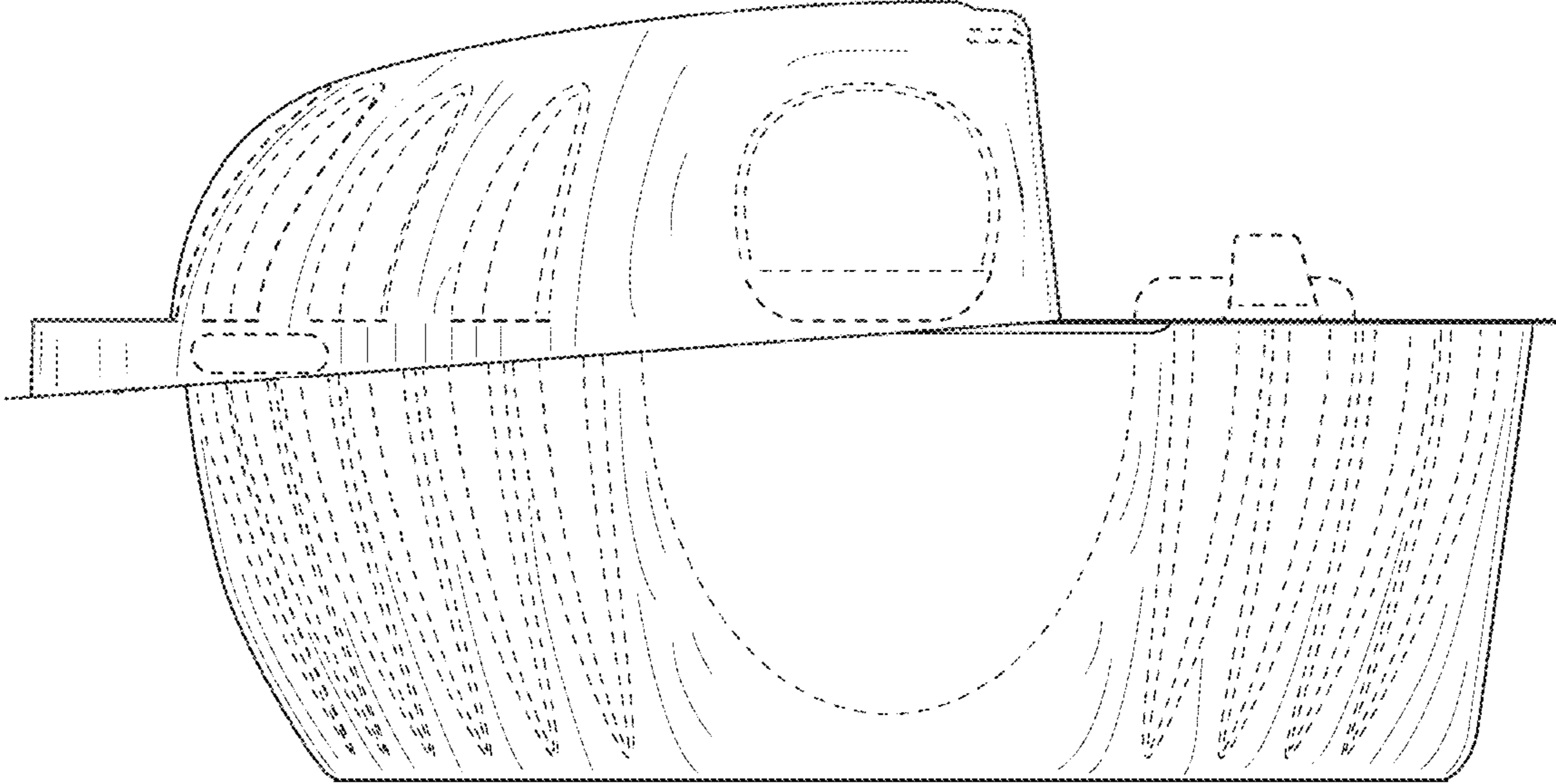


FIG. 5

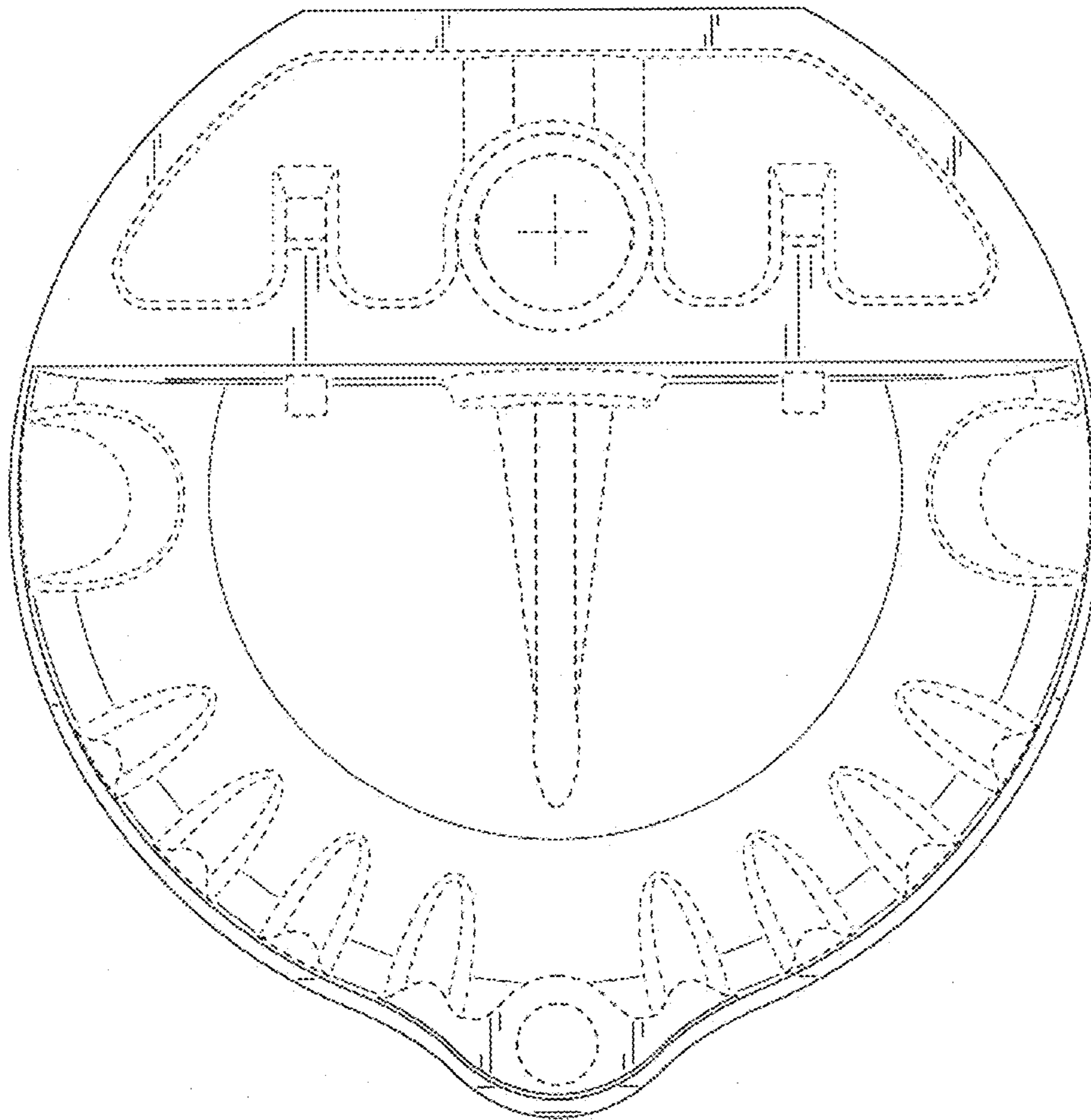


FIG. 6

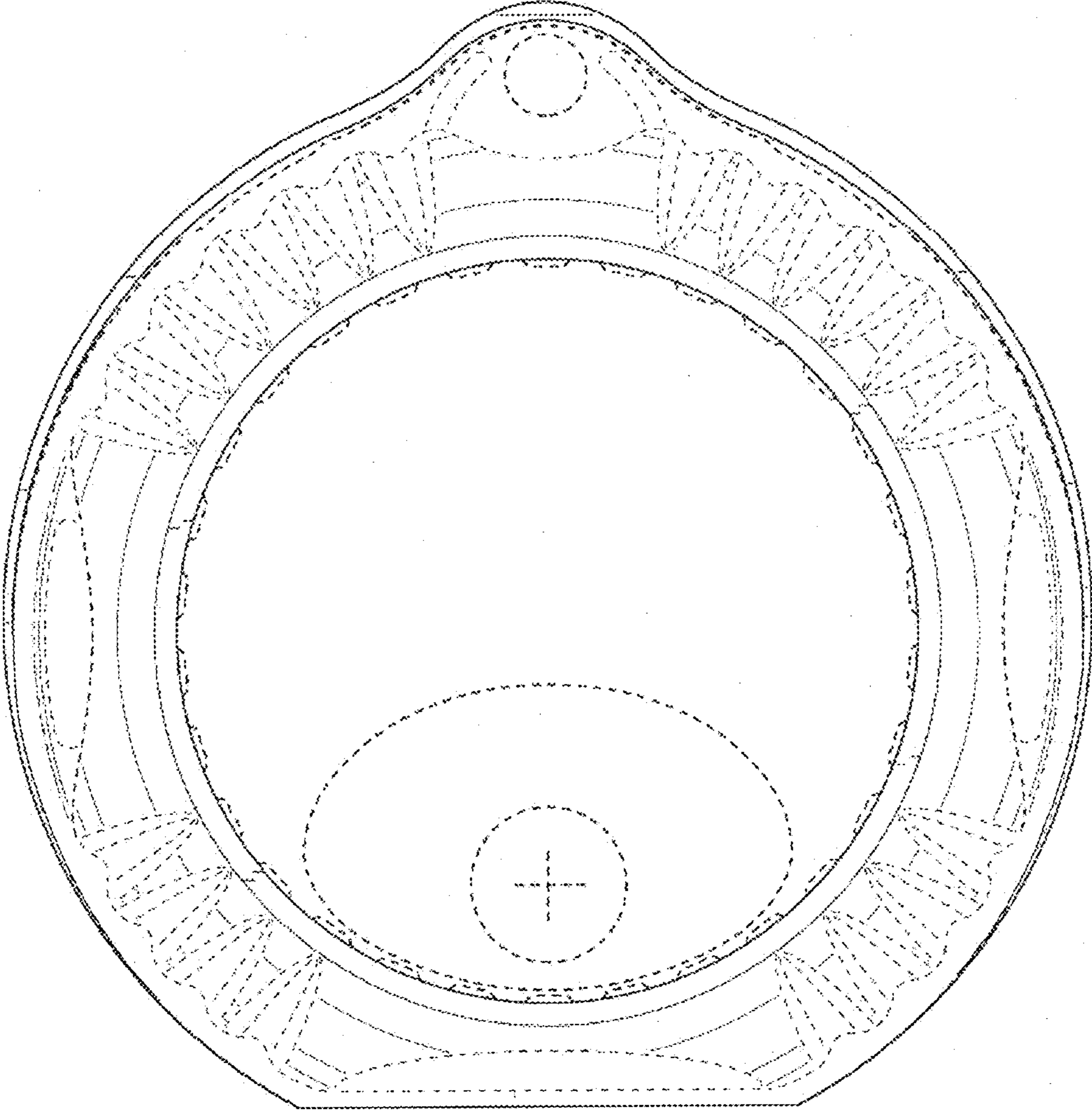


FIG. 7