



US00D918650S

(12) **United States Design Patent** (10) **Patent No.:** **US D918,650 S**  
**Nathan et al.** (45) **Date of Patent:** **\*\* \*May 11, 2021**

(54) **COOKWARE PAN HANDLE**

(56) **References Cited**

(71) Applicant: **Caraway Home, Inc.**, New York, NY (US)

U.S. PATENT DOCUMENTS

(72) Inventors: **Jordan Nathan**, New York, NY (US); **Benjamin Gross**, San Francisco, CA (US); **Kenneth Young**, San Francisco, CA (US); **Bret Recor**, San Francisco, CA (US)

D477,967 S *	8/2003	Burton .....	D7/395
D482,567 S *	11/2003	Demers .....	D7/395
D682,023 S *	5/2013	Rae .....	D7/395
D711,188 S *	8/2014	Shen .....	D7/395
D749,356 S *	2/2016	Steiner .....	D7/395
D779,873 S *	2/2017	Barberi .....	D7/395
D813,595 S *	3/2018	Narvaez Lopez .....	D7/395
D824,211 S *	7/2018	Kastner .....	D7/395
D849,470 S *	5/2019	Hollinger .....	D7/395
D852,576 S *	7/2019	Jamison .....	D7/395
D885,820 S *	6/2020	Girdaukas .....	D7/361
D907,434 S *	1/2021	Rajasekaran .....	D7/395

(73) Assignee: **Caraway Home, Inc.**, New York, NY (US)

\* cited by examiner

(\*) Notice: This patent is subject to a terminal disclaimer.

*Primary Examiner* — Cynthia M. Chin

(\*\*) Term: **15 Years**

(74) *Attorney, Agent, or Firm* — Bochner IP; Andrew D. Bochner

(21) Appl. No.: **29/762,642**

(57) **CLAIM**

(22) Filed: **Dec. 17, 2020**

The ornamental design for a cookware pan handle, as shown and described.

**DESCRIPTION**

**Related U.S. Application Data**

(63) Continuation of application No. 29/709,085, filed on Oct. 11, 2019, now Pat. No. Des. 908,424.

FIG. 1 is a top, front, right side perspective view of a cookware pan handle;

(51) **LOC (13) Cl.** ..... **07-02**

FIG. 2 is a front elevation view rear elevation thereof;

(52) **U.S. Cl.**  
USPC ..... **D7/395**

FIG. 3 is a rear elevation view thereof;

(58) **Field of Classification Search**  
USPC ..... D7/354-361, 393-395, 664, 401.2, 402  
CPC ..... A47J 45/06; A47J 45/061; A47J 45/062;  
A47J 45/071; A47J 45/072; A47J 45/08;  
A47J 45/085

FIG. 4 is a left side elevation view, thereof the right side elevation view being a mirror image;

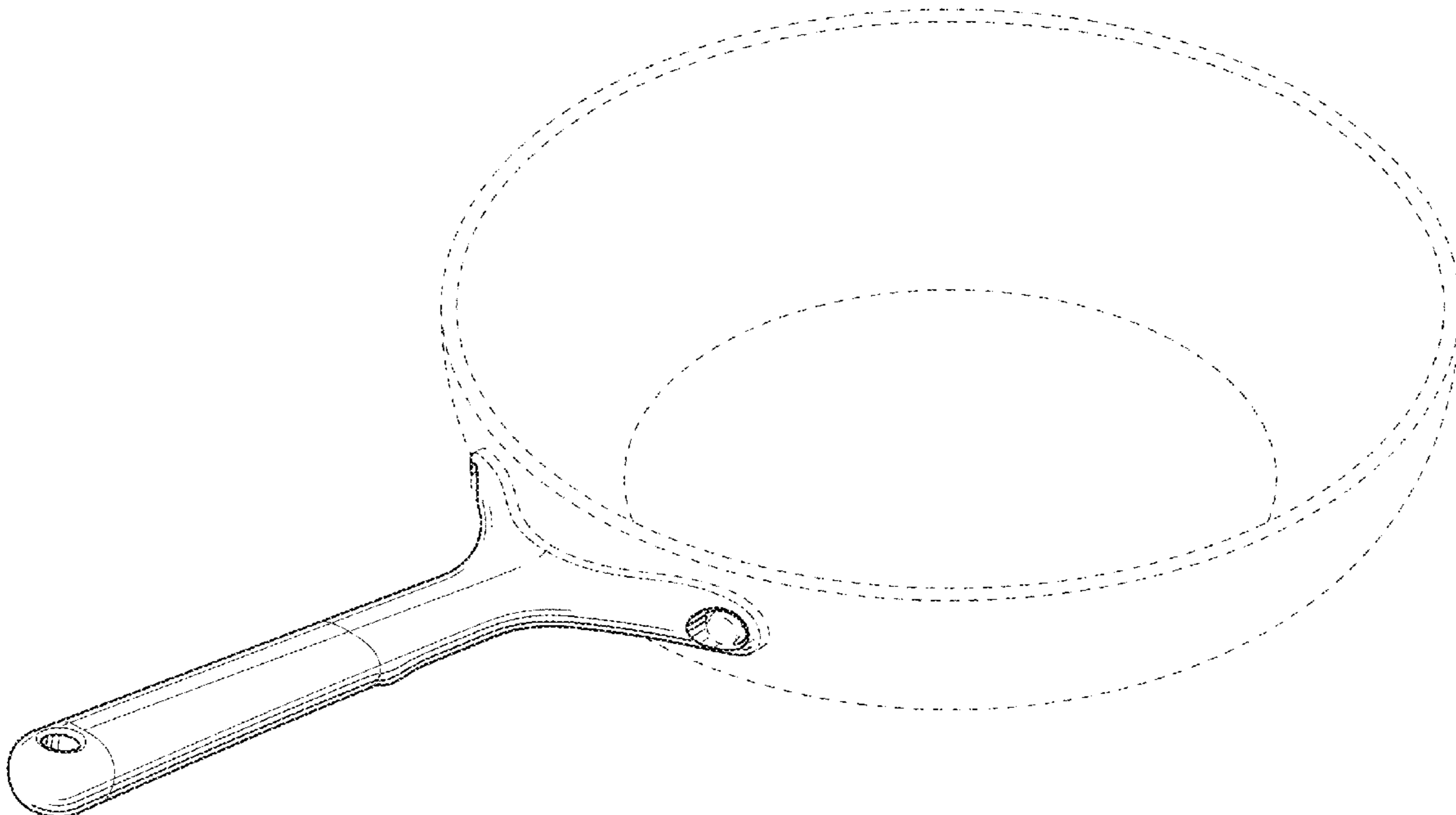
FIG. 5 is a top plan view thereof; and,

FIG. 6 is a bottom plan view thereof.

The dash-dot broken lines immediately adjacent the shaded areas represent the bounds of the claim and all other broken lines represent the environment in which the article resides. None of the broken lines form a part of the claim.

See application file for complete search history.

**1 Claim, 4 Drawing Sheets**



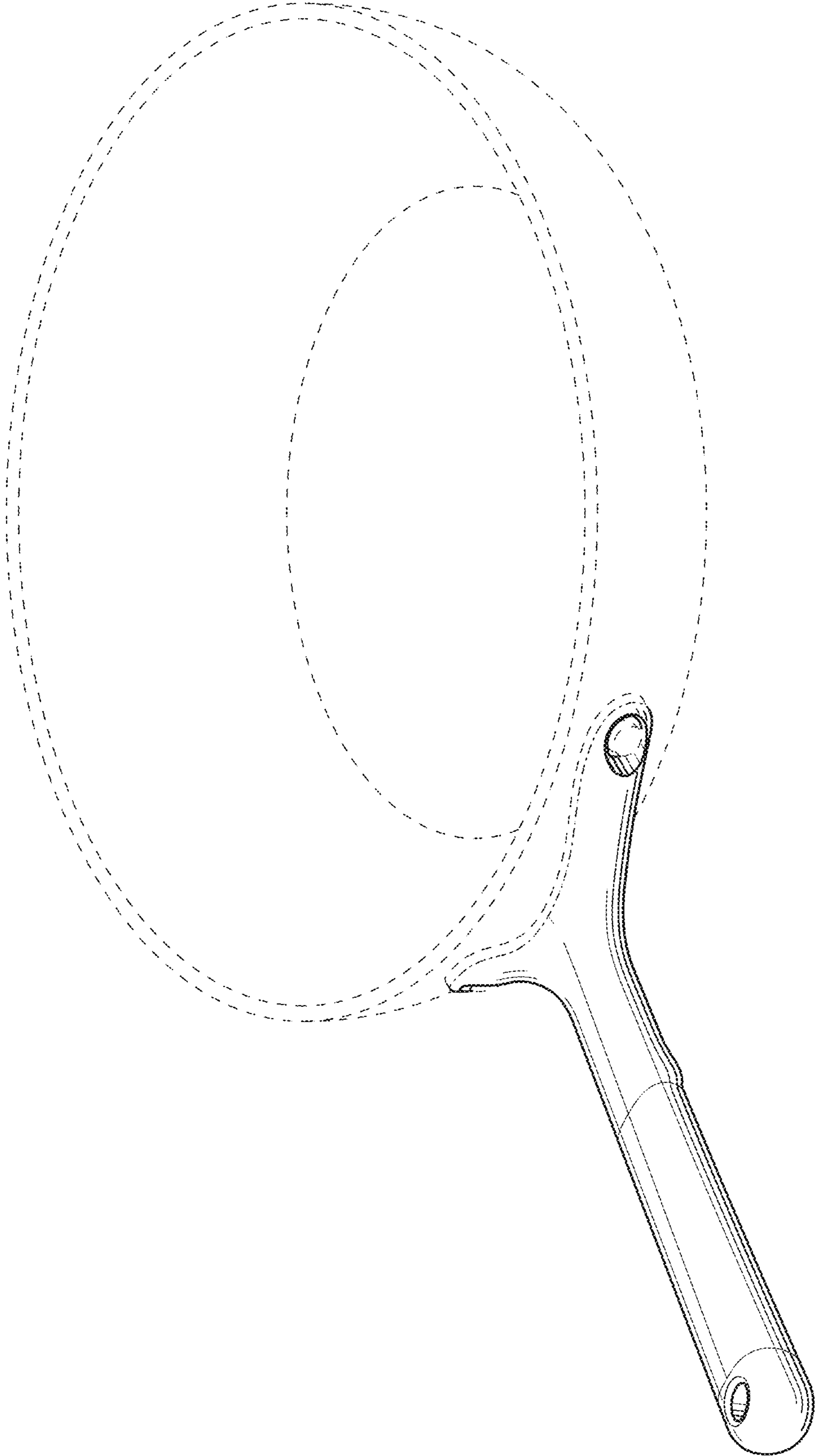


FIG. 1

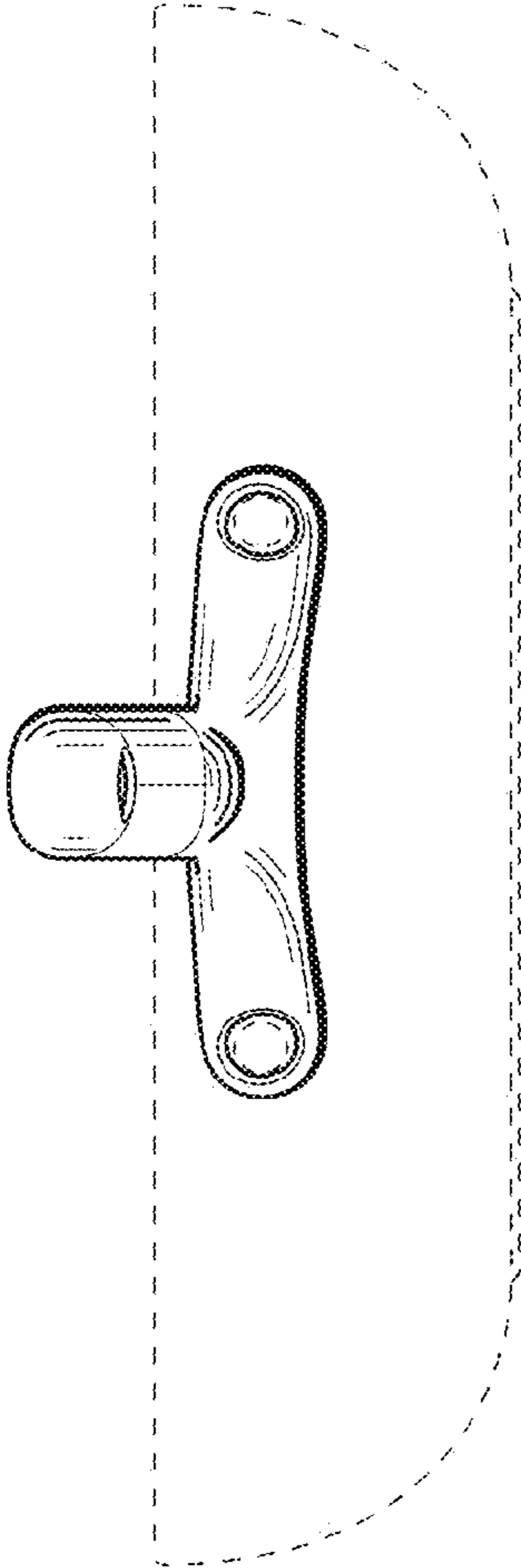


FIG. 2

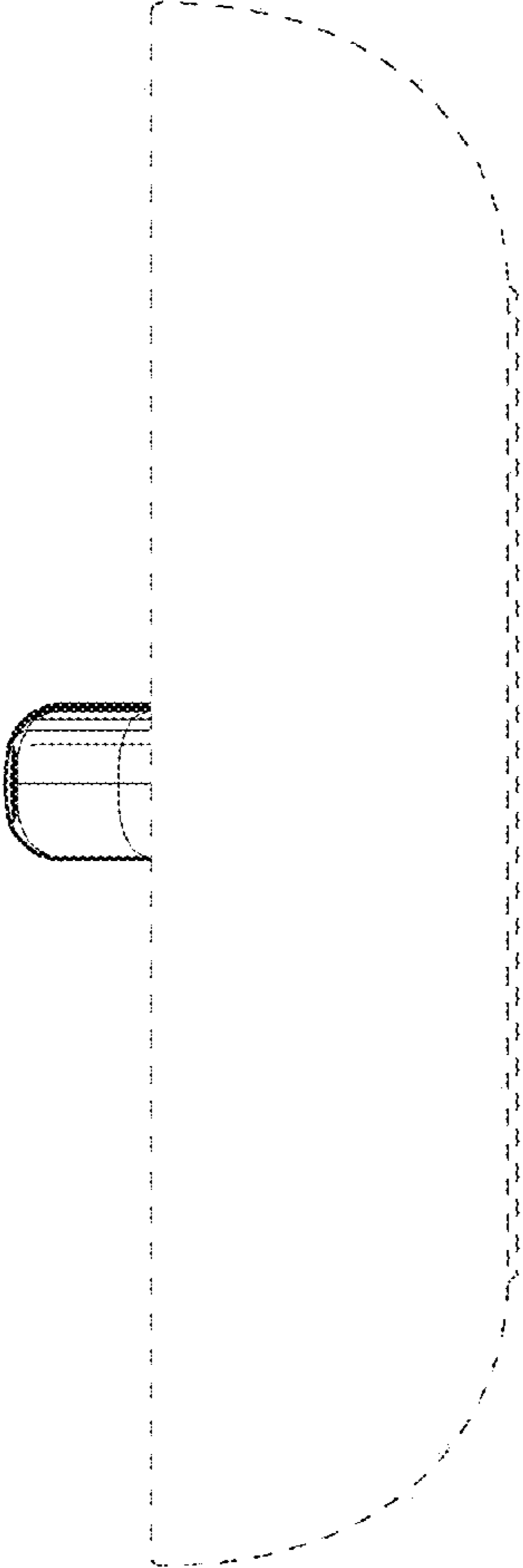


FIG. 3

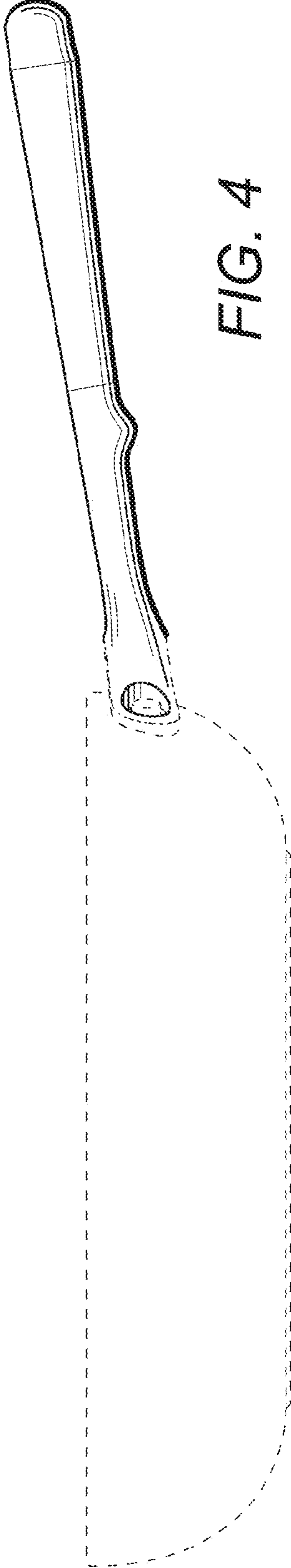


FIG. 4

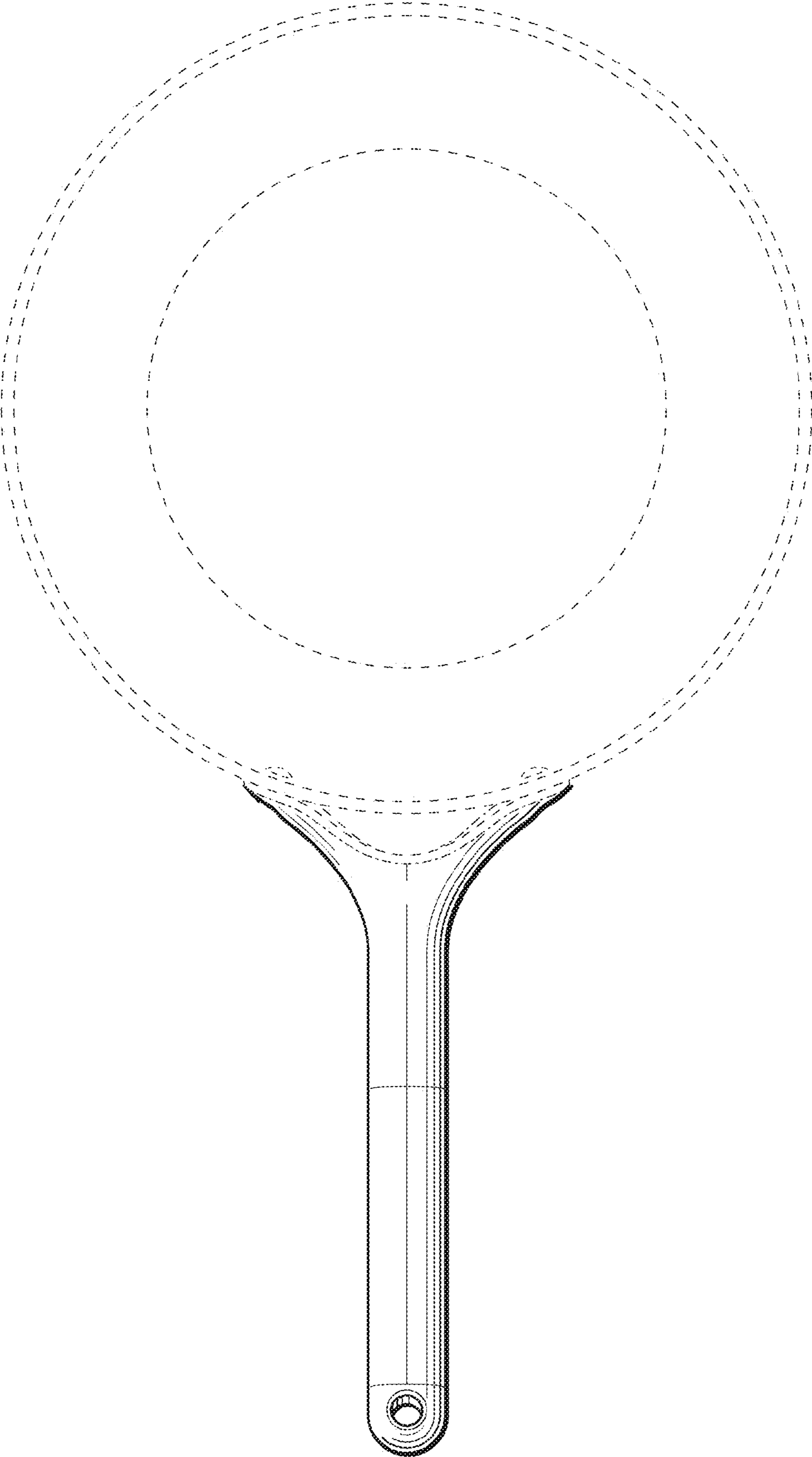


FIG. 5

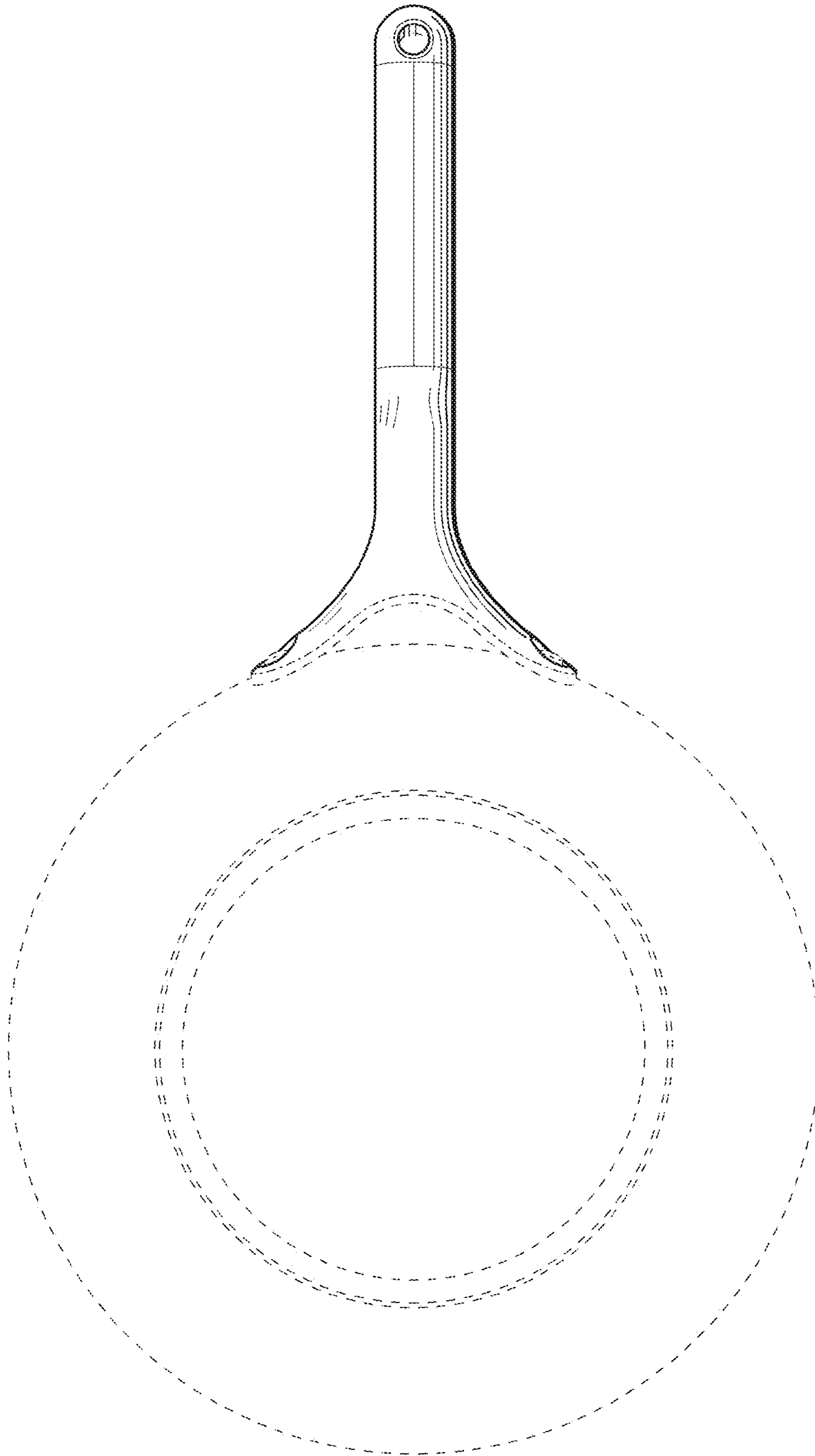


FIG. 6