



US00D918649S

(12) **United States Design Patent** (10) **Patent No.:** **US D918,649 S**
Mangiarotti et al. (45) **Date of Patent:** **** May 11, 2021**

(54) **LID HANDLE**

(71) Applicant: **SMEG S.p.A.**, Guastalla (IT)

(72) Inventors: **Raffaella Mangiarotti**, Milan (IT);
Leopoldo Bazzicalupo, Sale Marasino (IT)

(73) Assignee: **SMEG S.p.A.**

(**) Term: **15 Years**

(21) Appl. No.: **35/508,647**

(22) Filed: **Aug. 6, 2019**

(80) **Hague Agreement Data**

Int. Filing Date: **Aug. 6, 2019**

Int. Reg. No.: **DM/205940**

Int. Reg. Date: **Aug. 6, 2019**

Int. Reg. Pub. Date: **Feb. 14, 2020**

(30) **Foreign Application Priority Data**

Feb. 6, 2019 (WO) 006181509-0014

(51) **LOC (13) Cl.** **07-02**

(52) **U.S. Cl.**
USPC **D7/394**

(58) **Field of Classification Search**

USPC D7/354-361, 393-395, 401.2, 664, 107;
D8/300, 303, 307, 313, 321

CPC A47J 45/06; A47J 45/061; A47J 45/62;
A47J 45/08; A47J 45/085; A47J 45/071;
A47J 45/072; B65D 25/2802; B65D
25/2882; B65D 25/2885; B65D 25/2888;
B65D 25/2894; Y10S 220/912

See application file for complete search history.

(56) **References Cited**

U.S. PATENT DOCUMENTS

874,138	A *	12/1907	Trett	A47J 36/08 210/245
D571,145	S *	6/2008	Rae	D7/391
D694,089	S *	11/2013	Boland	D8/313
D746,596	S *	1/2016	Zemel	D4/129
D757,486	S *	5/2016	Steiner	D7/391
D854,394	S *	7/2019	Rademacher	D8/303
D867,060	S *	11/2019	Bottari	D7/396.2
D873,602	S *	1/2020	Varjabedian	D7/391
2011/0285158	A1 *	11/2011	Workman	A47F 13/08 294/178

* cited by examiner

Primary Examiner — Michael A. Pratt

(74) *Attorney, Agent, or Firm* — The Belles Group, P.C.

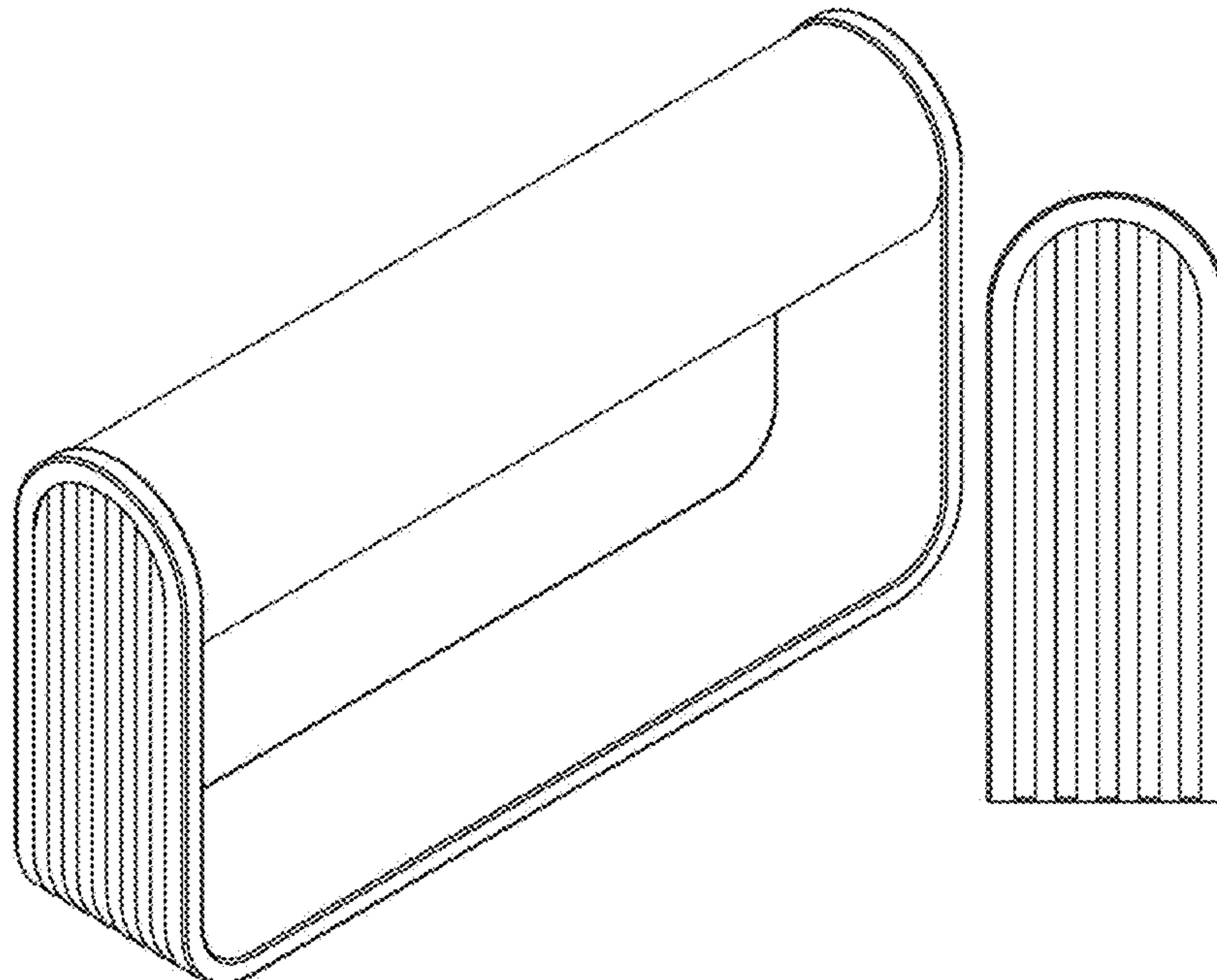
(57) **CLAIM**

The ornamental design for a lid handle, as shown and described.

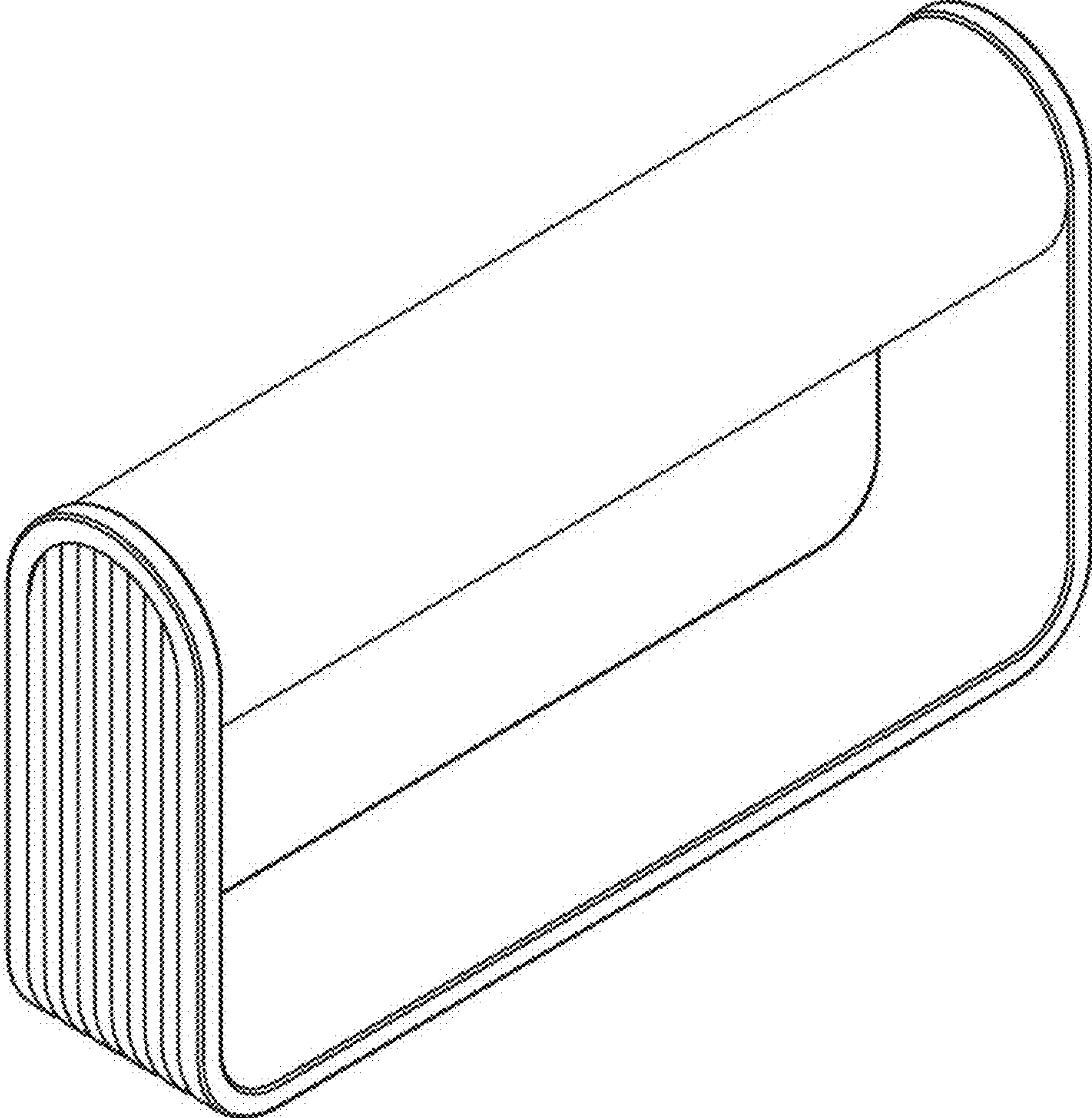
DESCRIPTION

- 1. Lid handle
- 1.1 : Front side perspective view
- 1.2 : Left side view
- 1.3 : Right side view
- 1.4 : Front
- 1.5 : Rear view
- 1.6 : Top plan view
- 1.7 : Bottom

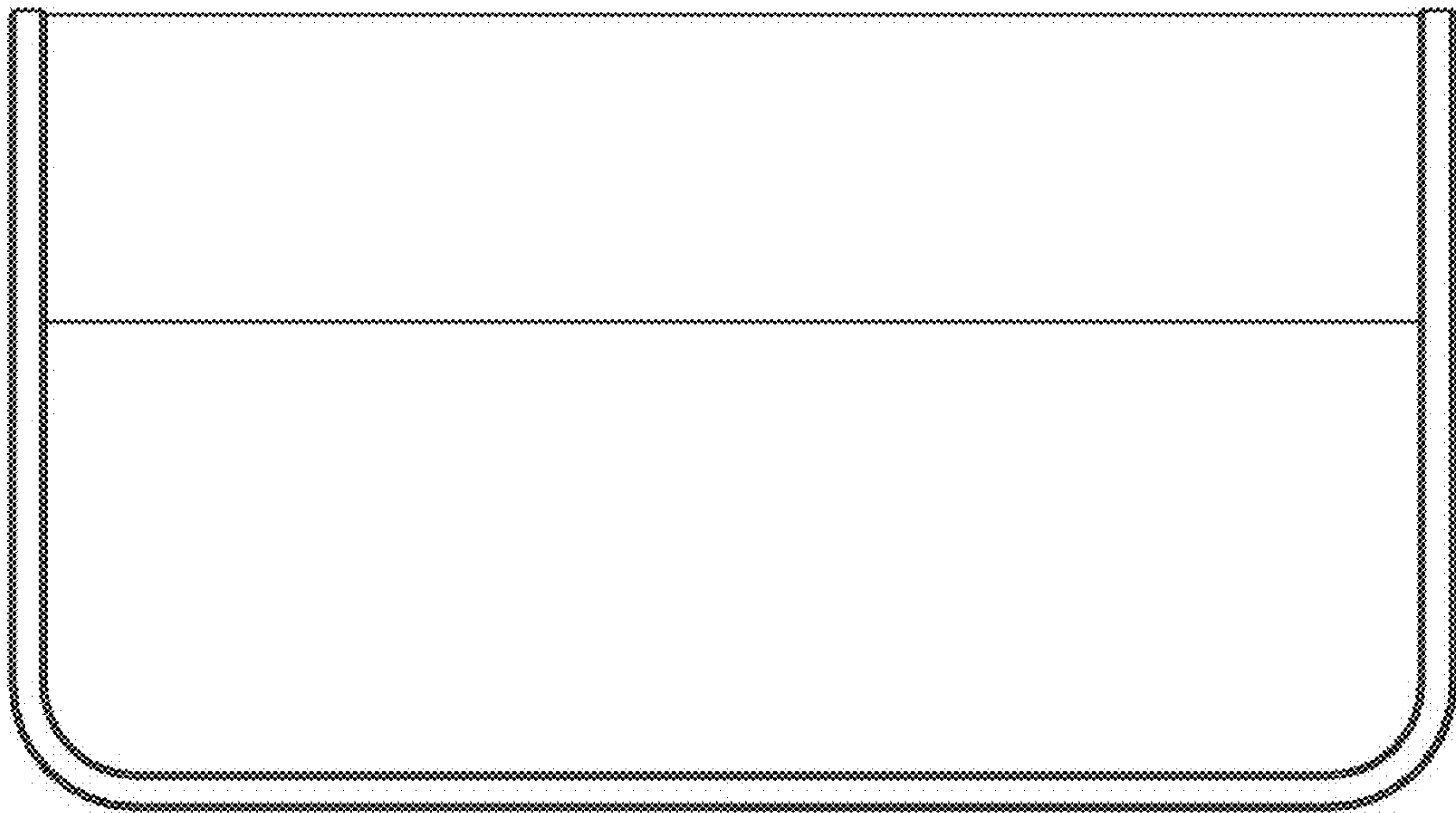
1 Claim, 7 Drawing Sheets



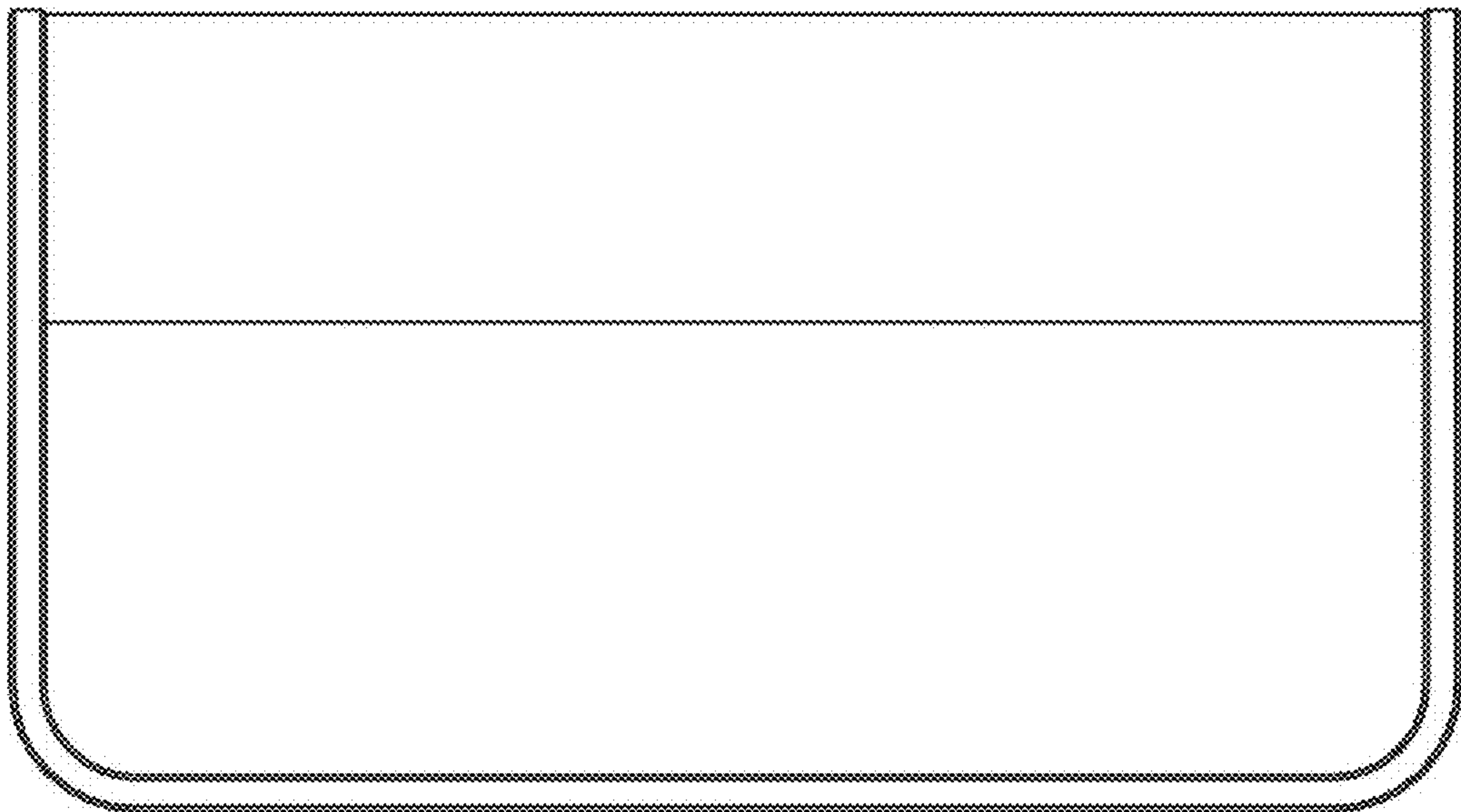
1.1



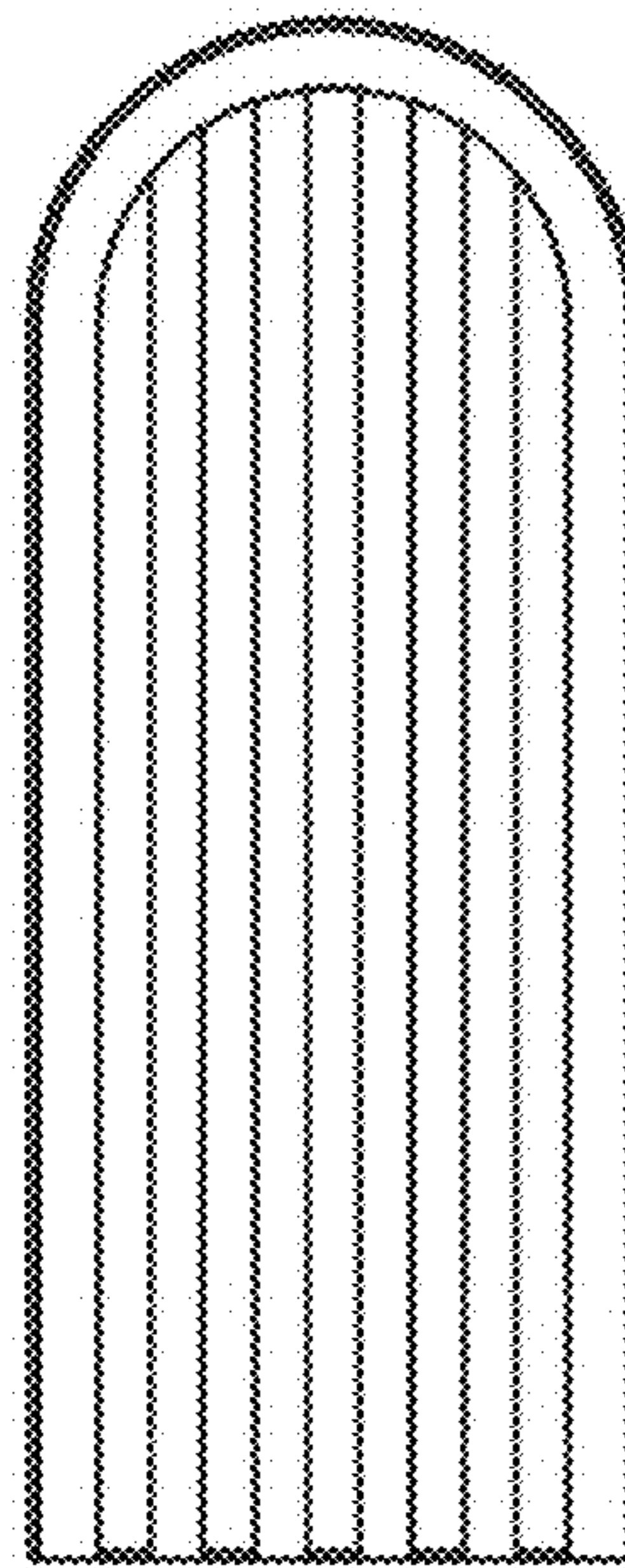
1.2



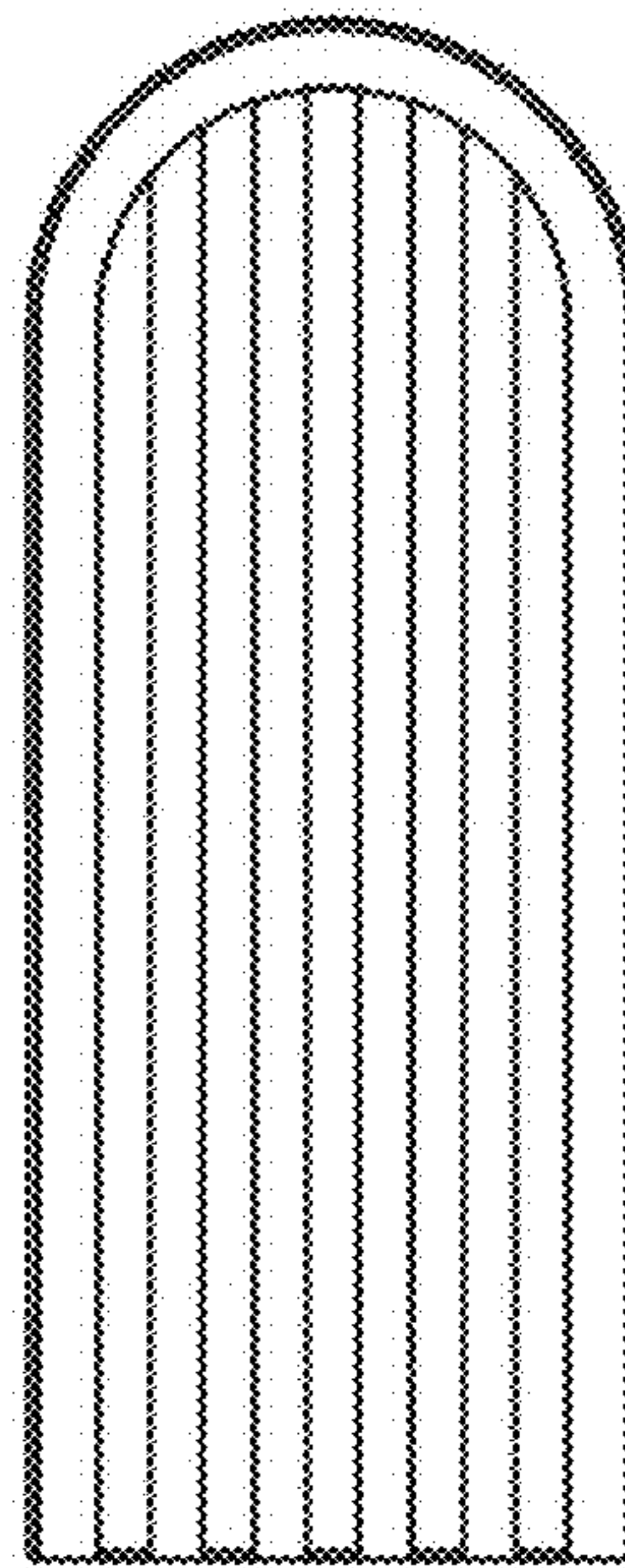
1.3



1.4



1.5



1.6



1.7

