



US00D918648S

(12) **United States Design Patent** (10) **Patent No.:** **US D918,648 S**  
**Bazzicalupo et al.** (45) **Date of Patent:** **\*\* May 11, 2021**

(54) SAUCEPAN HANDLE

(56) **References Cited**

(71) Applicant: **SMEG S.p.A.**, Guastalla (IT)

U.S. PATENT DOCUMENTS

(72) Inventors: **Leopoldo Bazzicalupo**, Sale Marasino (IT); **Raffaella Mangiarotti**, Milan (IT)

874,138	A	*	12/1907	Trett	.....	A47J 36/08
						210/245
D571,145	S	*	6/2008	Rae	.....	D7/391
D694,089	S	*	11/2013	Boland	.....	D8/313
D746,596	S	*	1/2016	Zemel	.....	D4/129
D757,486	S	*	5/2016	Steiner	.....	D7/391
D854,394	S	*	7/2019	Rademacher	.....	D8/303
D867,060	S	*	11/2019	Bottari	.....	D7/396.2
D873,602	S	*	1/2020	Varjabedian	.....	D7/391
2011/0285158	A1	*	11/2011	Workman	.....	A47F 13/08
						294/178

(73) Assignee: **SMEG S.p.A.**

(\*\*) Term: **15 Years**

(21) Appl. No.: **35/508,535**

(22) Filed: **Aug. 6, 2019**

\* cited by examiner

(80) **Hague Agreement Data**

Int. Filing Date: **Aug. 6, 2019**

Int. Reg. No.: **DM/204321**

Int. Reg. Date: **Aug. 6, 2019**

Int. Reg. Pub. Date: **Feb. 28, 2020**

*Primary Examiner* — Michael A. Pratt

(74) *Attorney, Agent, or Firm* — The Belles Group, P.C.

(30) **Foreign Application Priority Data**

Feb. 6, 2019 (EM) ..... 006181509-0013

(51) **LOC (13) Cl.** ..... **07-02**

(52) **U.S. Cl.**

USPC ..... **D7/394**

(58) **Field of Classification Search**

USPC ..... D7/354–361, 393–395, 401.2, 664, 107;  
D8/300, 303, 307, 313, 321; D4/138,  
D4/129

CPC ..... A47J 45/06; A47J 45/061; A47J 45/62;  
A47J 45/08; A47J 45/085; A47J 45/071;  
A47J 45/072; B65D 25/2802; B65D  
25/2882; B65D 25/2885; B65D 25/2888;  
B65D 25/2894; Y10S 220/912

See application file for complete search history.

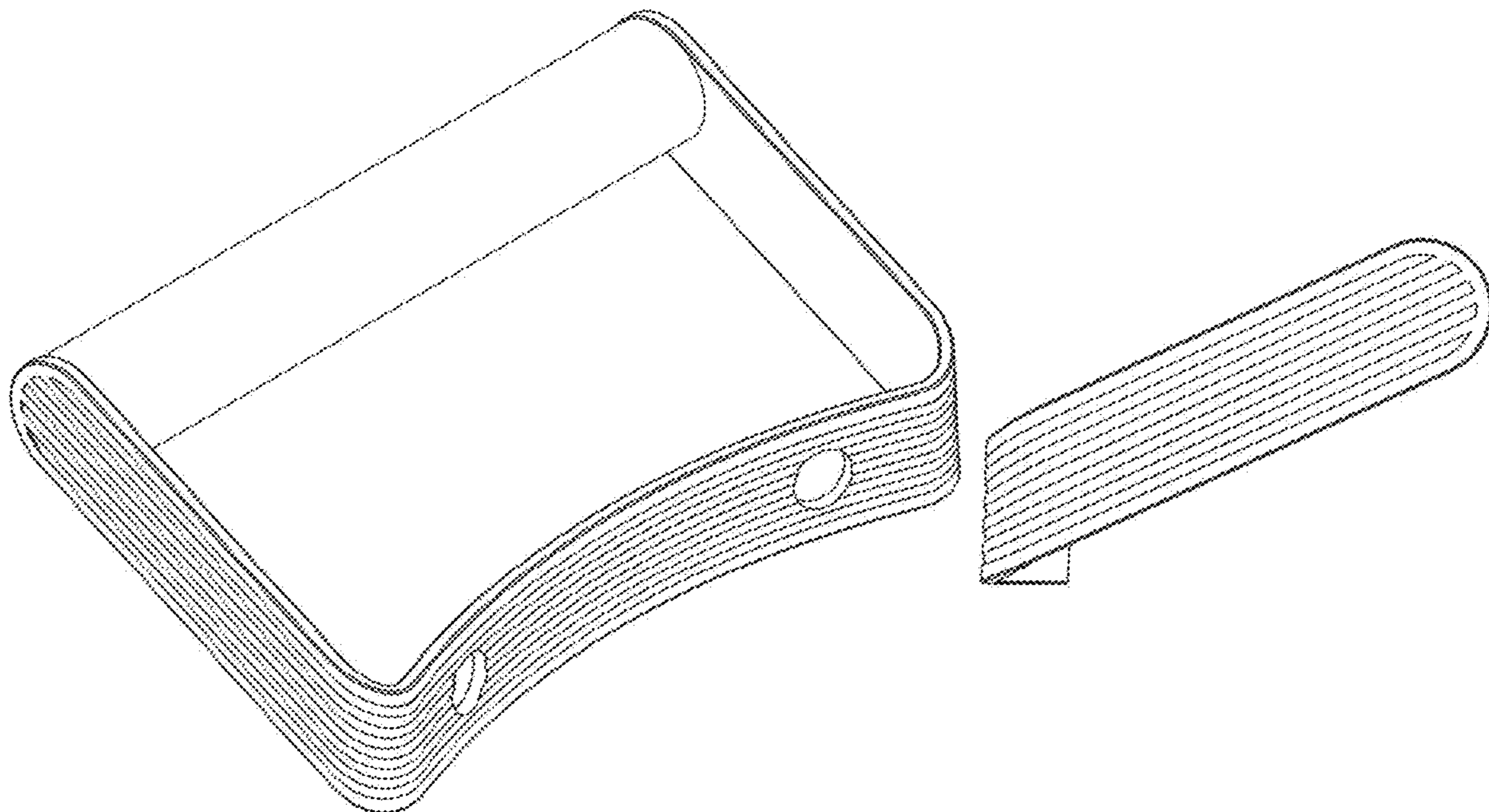
(57) **CLAIM**

The ornamental design for a saucepan handle, as shown and described.

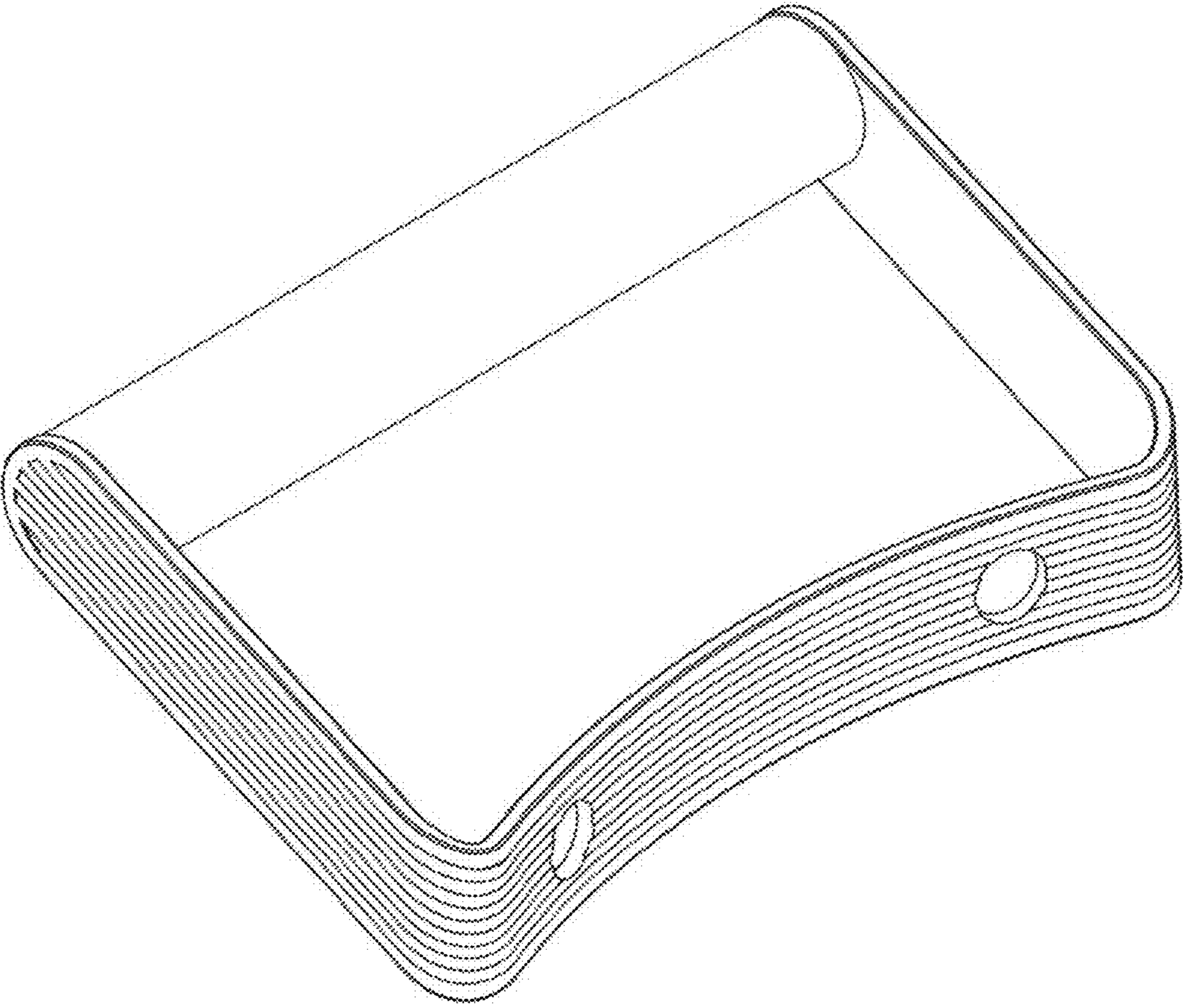
**DESCRIPTION**

- 1. Saucepan handle
- 1.1 : Front side perspective view
- 1.2 : Front side view
- 1.3 : Rear side view
- 1.4 : Left
- 1.5 : Right
- 1.6 : Front
- 1.7 : Rear view

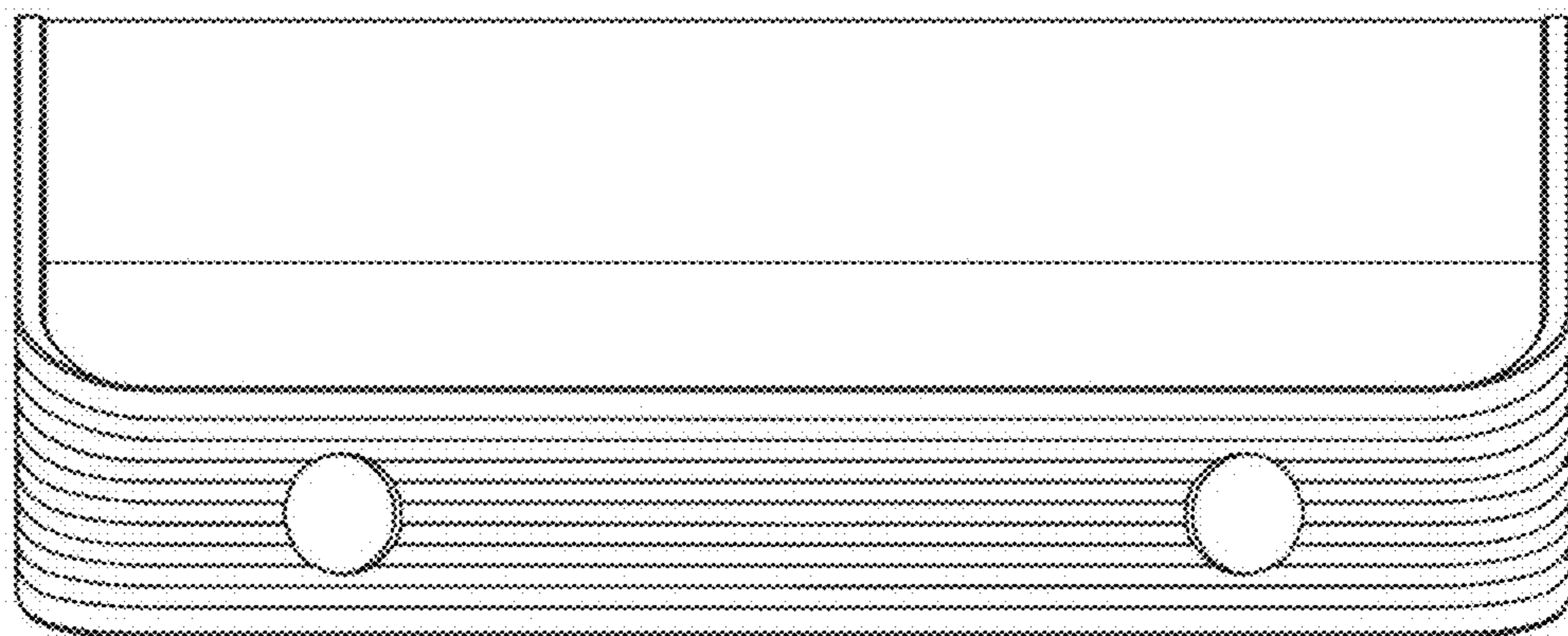
**1 Claim, 7 Drawing Sheets**



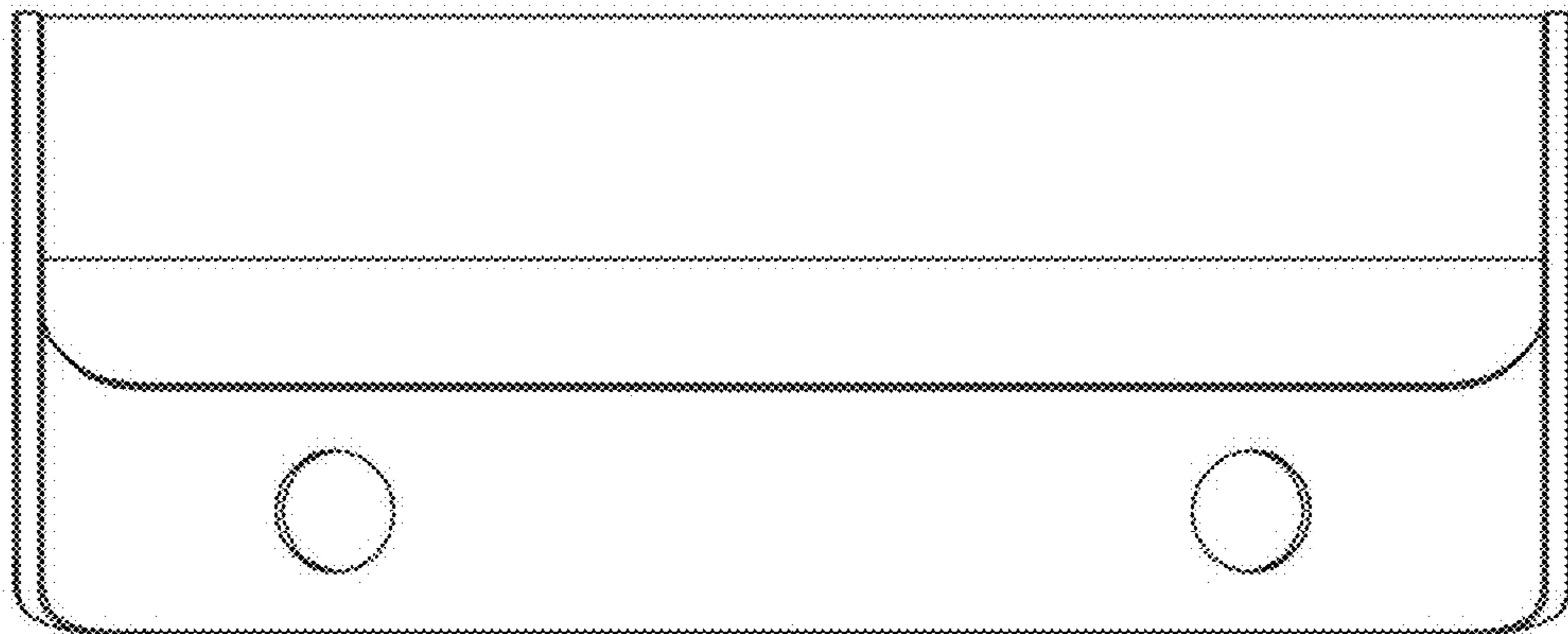
1.1



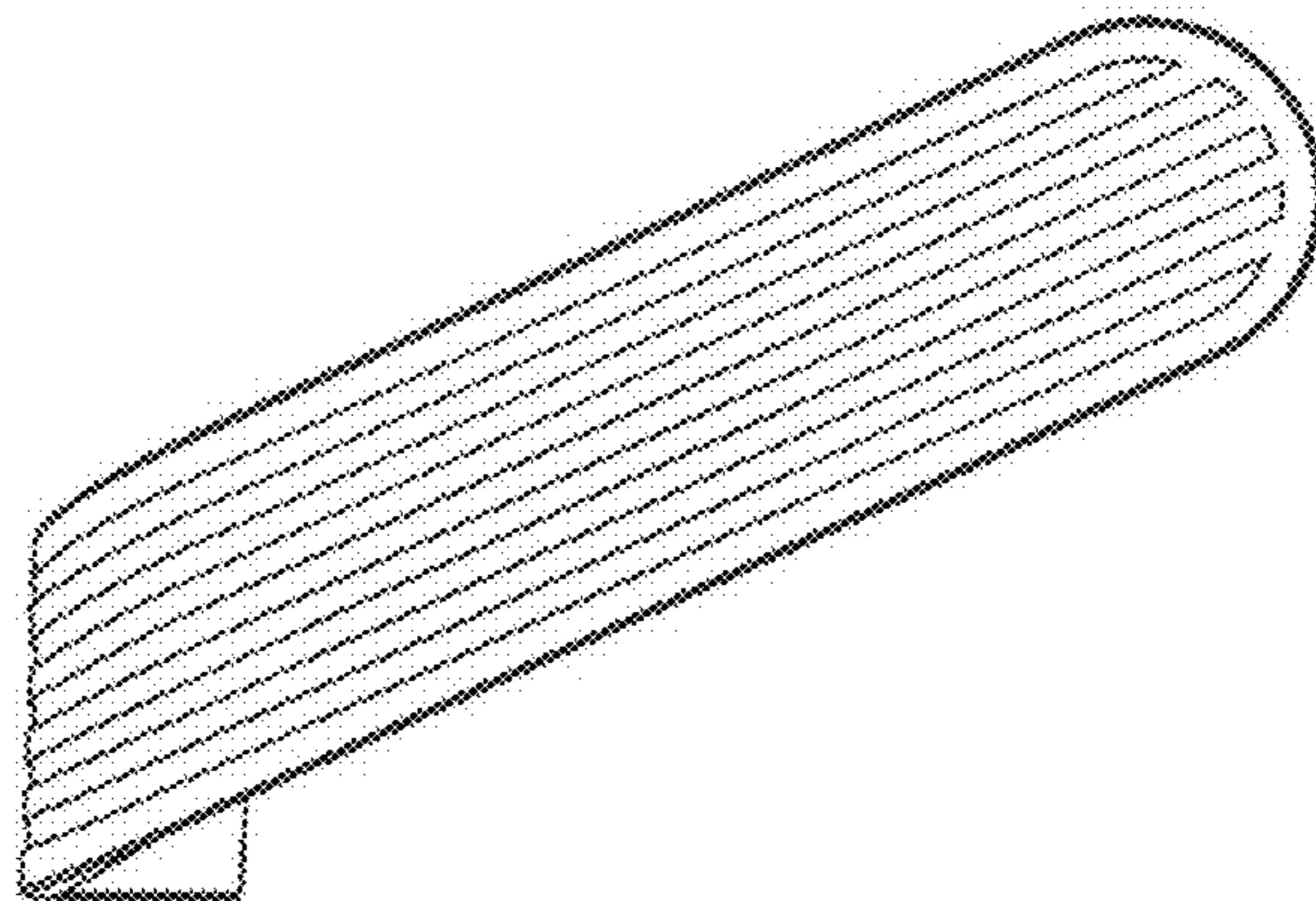
1.2



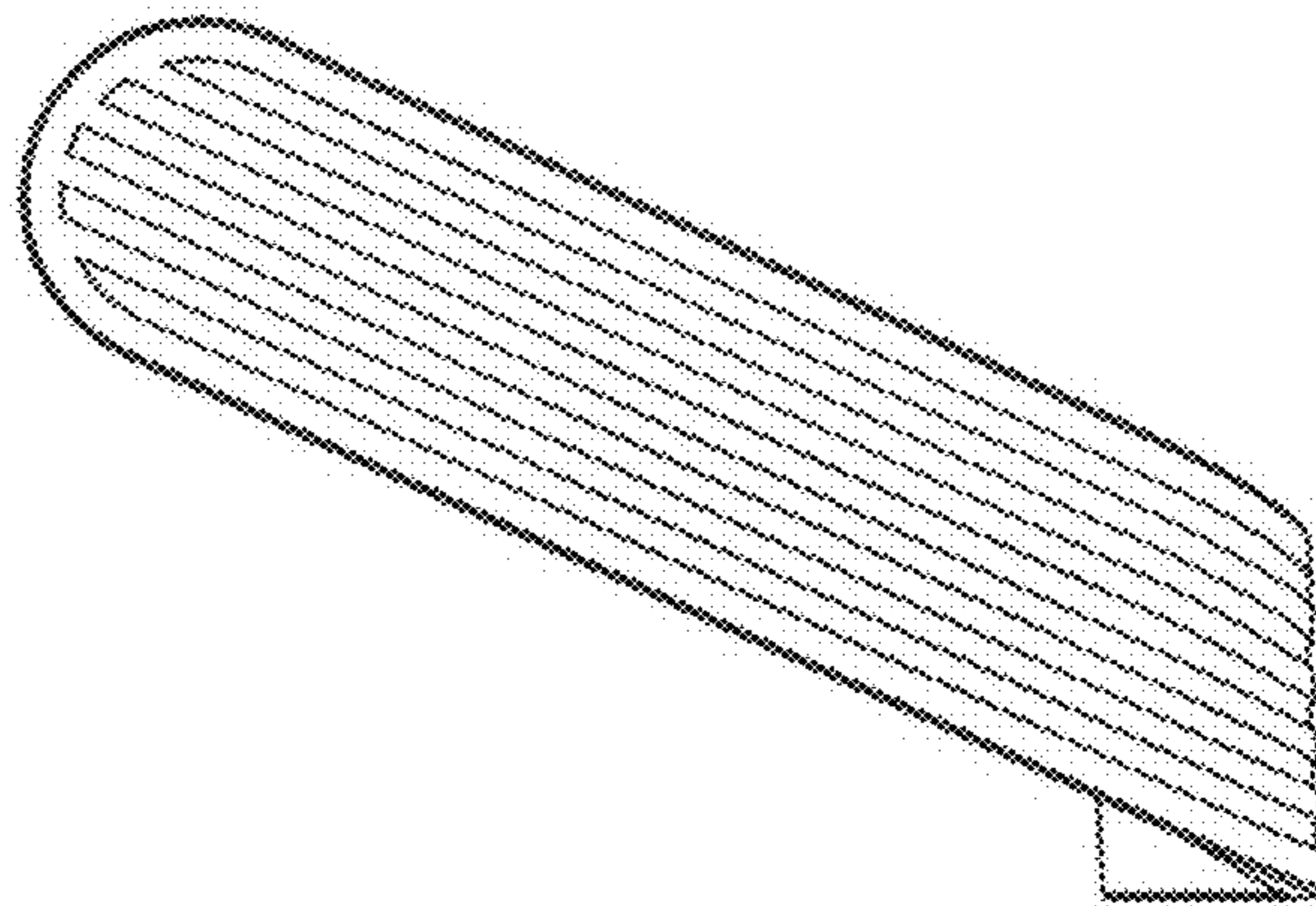
1.3



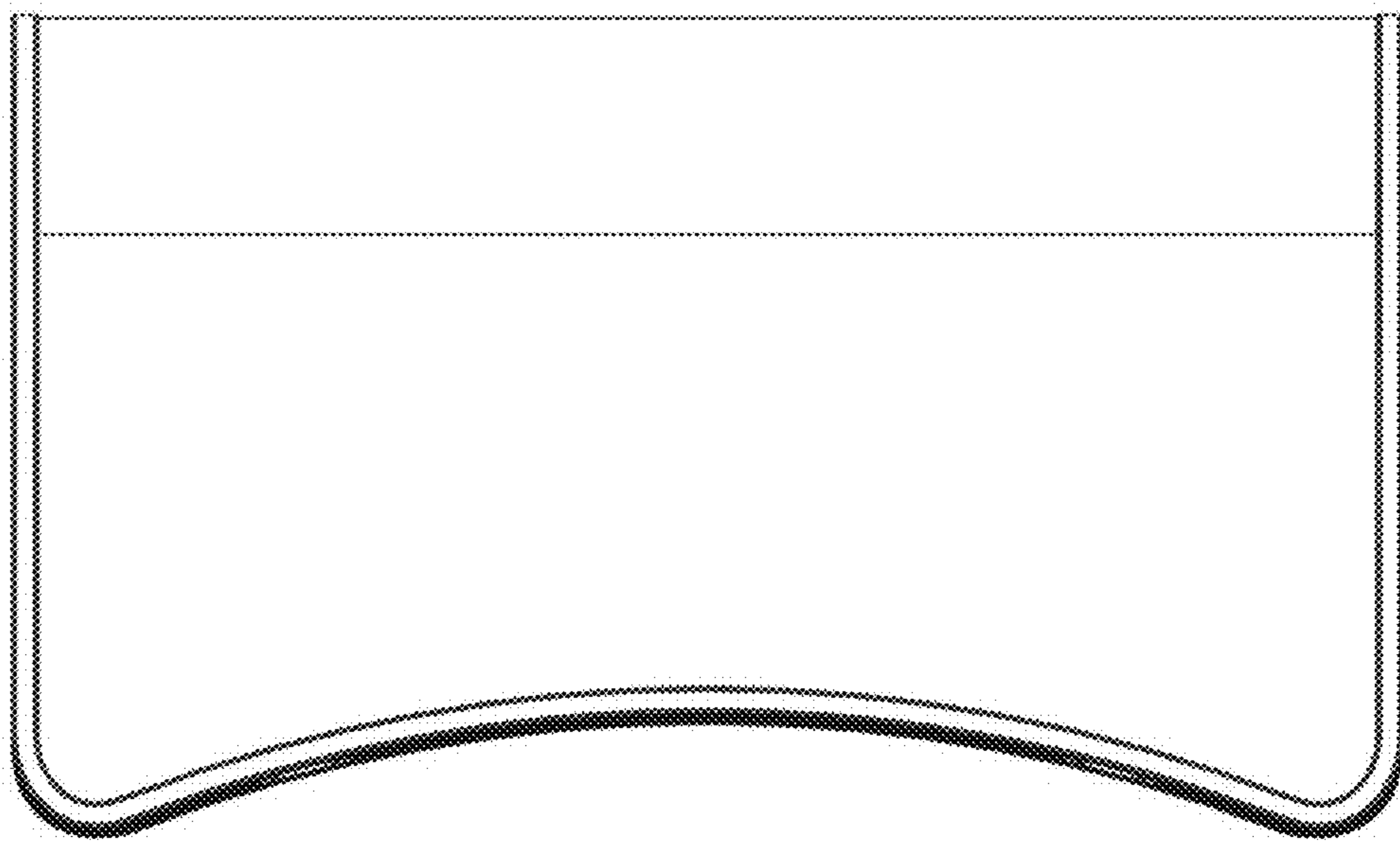
1.4



1.5



1.6



1.7

