



US00D918647S

(12) **United States Design Patent** (10) **Patent No.:** **US D918,647 S**
Nathan et al. (45) **Date of Patent:** **** May 11, 2021**

(54) **COOKWARE SIDE HANDLE**

(71) Applicant: **Caraway Home, Inc.**, New York, NY (US)

(72) Inventors: **Jordan Nathan**, New York, NY (US); **Benjamin Gross**, San Francisco, CA (US); **Kenneth Young**, San Francisco, CA (US); **Bret Recor**, San Francisco, CA (US)

(73) Assignee: **Caraway Home, Inc.**, New York, NY (US)

(**) Term: **15 Years**

(21) Appl. No.: **29/709,082**

(22) Filed: **Oct. 11, 2019**

(51) **LOC (13) Cl.** **07-02**

(52) **U.S. Cl.**
USPC **D7/394**

(58) **Field of Classification Search**
USPC D7/332-334, 337, 339-341, 346, 348, D7/349, 354, 360, 361, 391, 393-396, D7/402, 406; D8/300, 303, 310, 311, D8/315, 321; D15/89; D32/5, 6, 8, 25, D32/28
CPC .. A47J 27/00; A47J 36/00; A47J 36/06; A47J 37/0623; A47J 37/0647; A47J 37/07; A47J 37/0713; A47J 37/0727; A47J 37/074; A47J 37/0763; A47J 37/10; A47J 37/101; A47J 45/06; A47J 45/061; A47J 45/062; A47J 45/063; A47J 45/068; A47J 45/07; A47J 45/071; A47J 45/072; A47J 45/074; F24B 1/00; F24B 1/191; F24B 1/20; F24C 1/00; F24C 3/00; F24C 3/002; F24C 3/008; F24C 3/02; F24C 3/04; F24C 3/042; F24C 3/047; F24C 3/06; F24C 3/062; F24C 3/067; F24C 15/16; F24C 15/168; F24C 15/26

See application file for complete search history.

(56) **References Cited**

U.S. PATENT DOCUMENTS

D535,856 S *	1/2007	Kell	D7/360
D563,722 S *	3/2008	Thurlow	D7/394
D728,997 S *	5/2015	Barberi	D7/394
D758,128 S *	6/2016	McConnell	D7/394
D804,891 S *	12/2017	Mirchandani	D7/360

(Continued)

OTHER PUBLICATIONS

Design No. D204391-001, Nov. 15, 2019—Hague International Design (WO) Publication Date—Dec. 6, 2019 Owner—Studio Zetass Sas Di Marcello Ziliani & C., Designer—Marcello Ziliani WIPO, available at <https://www3.wipo.int/designdb/en/index.jsp> (Year: 2019).*

(Continued)

Primary Examiner — Mary Ann Calabrese
Assistant Examiner — Natalya M Rapundalo
(74) *Attorney, Agent, or Firm* — Bochner IP; Andrew D. Bochner

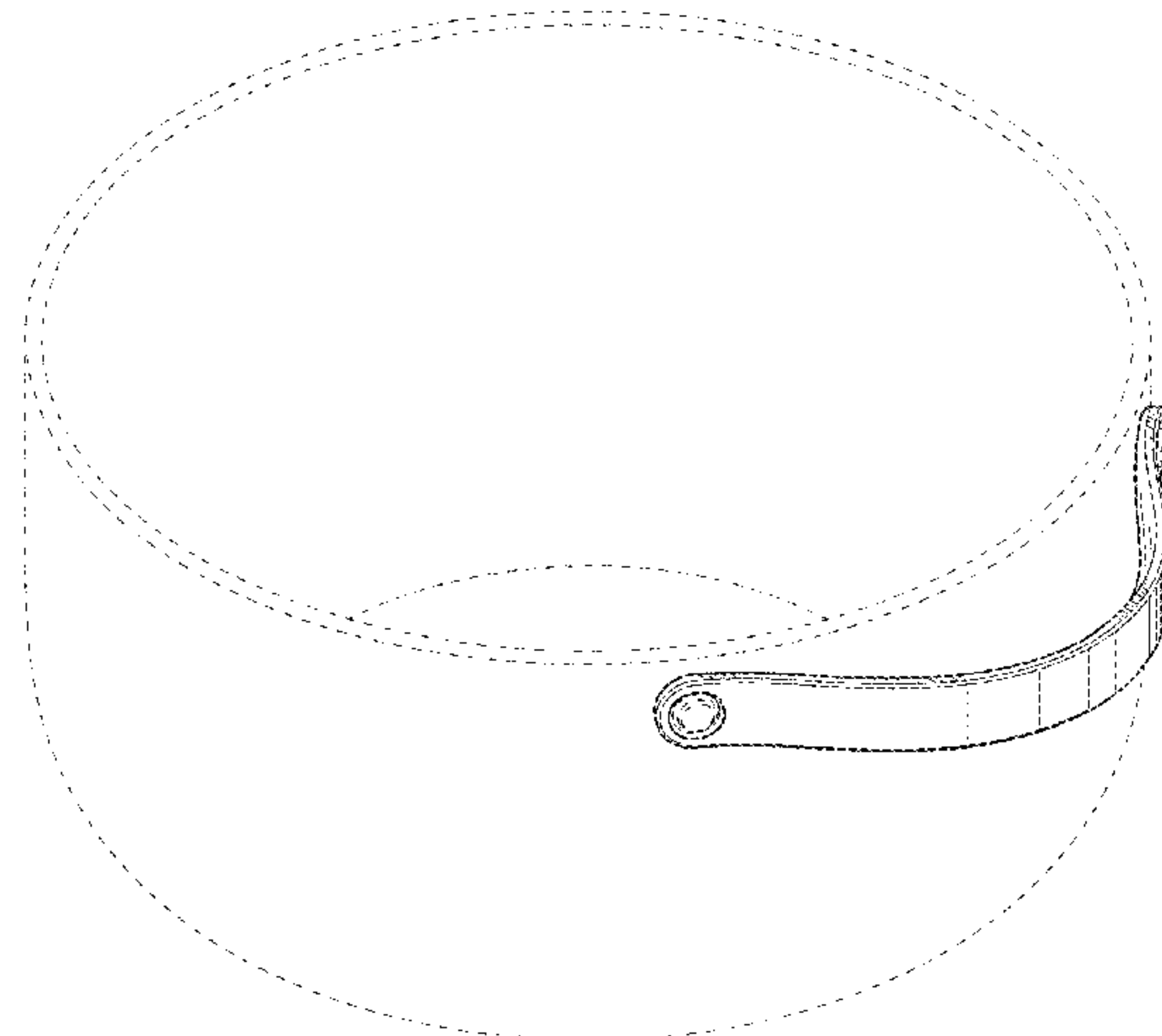
(57) **CLAIM**

The ornamental design for a cookware side handle, as shown and described.

DESCRIPTION

FIG. 1 is a top, front, right side perspective view of a cookware side handle;
FIG. 2 is a front elevation view thereof, the rear elevation view being a mirror image;
FIG. 3 is a left side elevation view thereof;
FIG. 4 is a right side elevation view thereof;
FIG. 5 is a top plan view thereof;
FIG. 6 is a bottom plan view thereof; and,
FIG. 7 is a vertical cross-section view thereof, taken along Line 7-7 of FIG. 4.

(Continued)



In the drawings, the broken lines are for the purpose of illustrating environment only, and form no part of the claimed design.

1 Claim, 5 Drawing Sheets

(56) **References Cited**

U.S. PATENT DOCUMENTS

D811,800 S	*	3/2018	Workman	D7/360
D846,940 S	*	4/2019	Gabbay	D7/394
D896,591 S	*	9/2020	Seiders	D7/607

OTHER PUBLICATIONS

We're Obsessed With This Chic Cookware Launch—& You Will Be Too, first available Nov. 5, 2019, Refinery29, [online], [site visited Mar. 3, 2021], Available from internet URL: <https://www.refinery29.com/en-us/2019/11/8699608/caraway-home-cookware-collection-2019> (Year: 2019).*

Caraway Cookware Set, Caraway Home, [online], [site visited Mar. 3, 2021], Available from internet URL: <https://www.carawayhome.com/products/cookware-sets> (Year: 2021).*

* cited by examiner

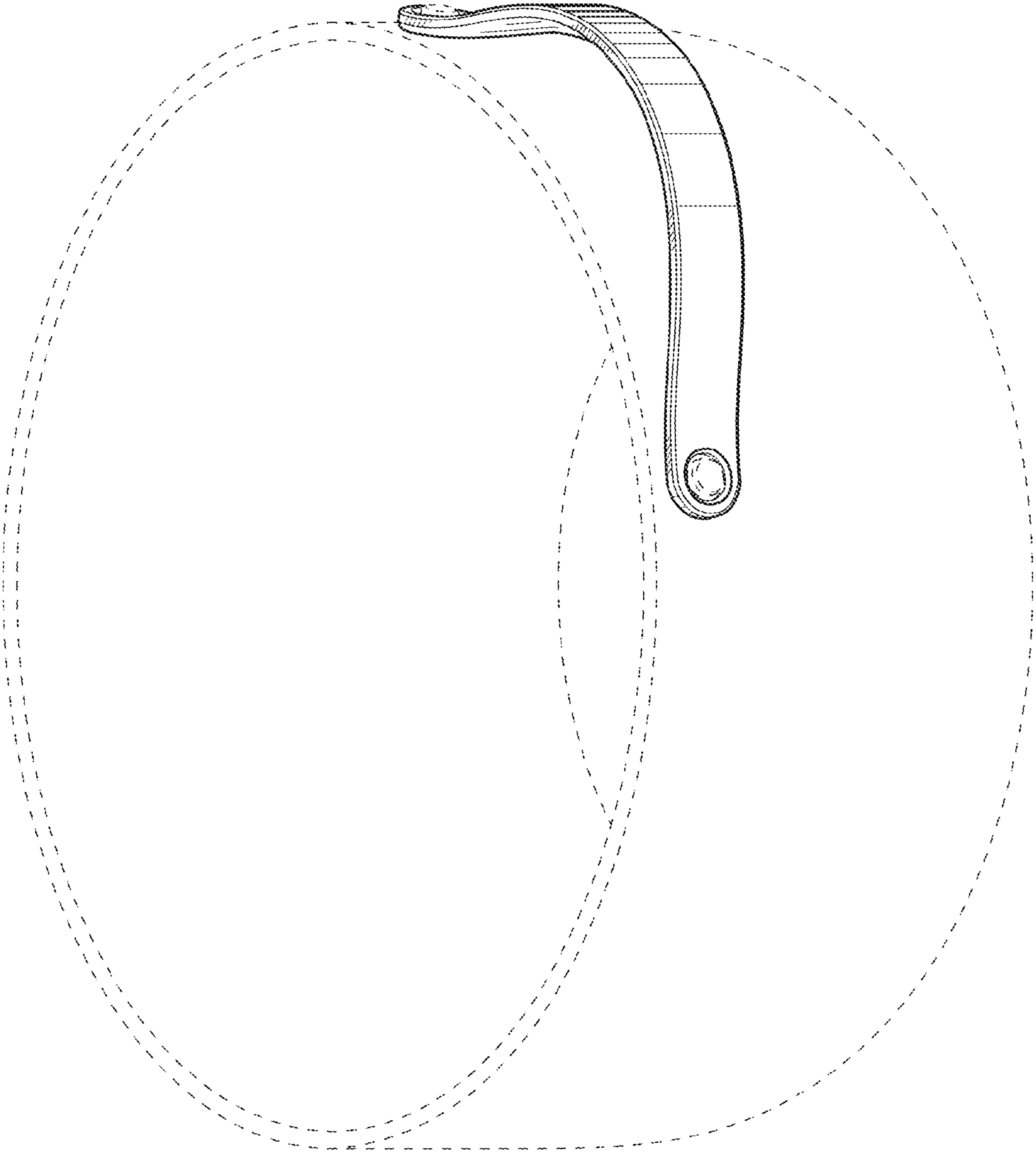


FIG. 1

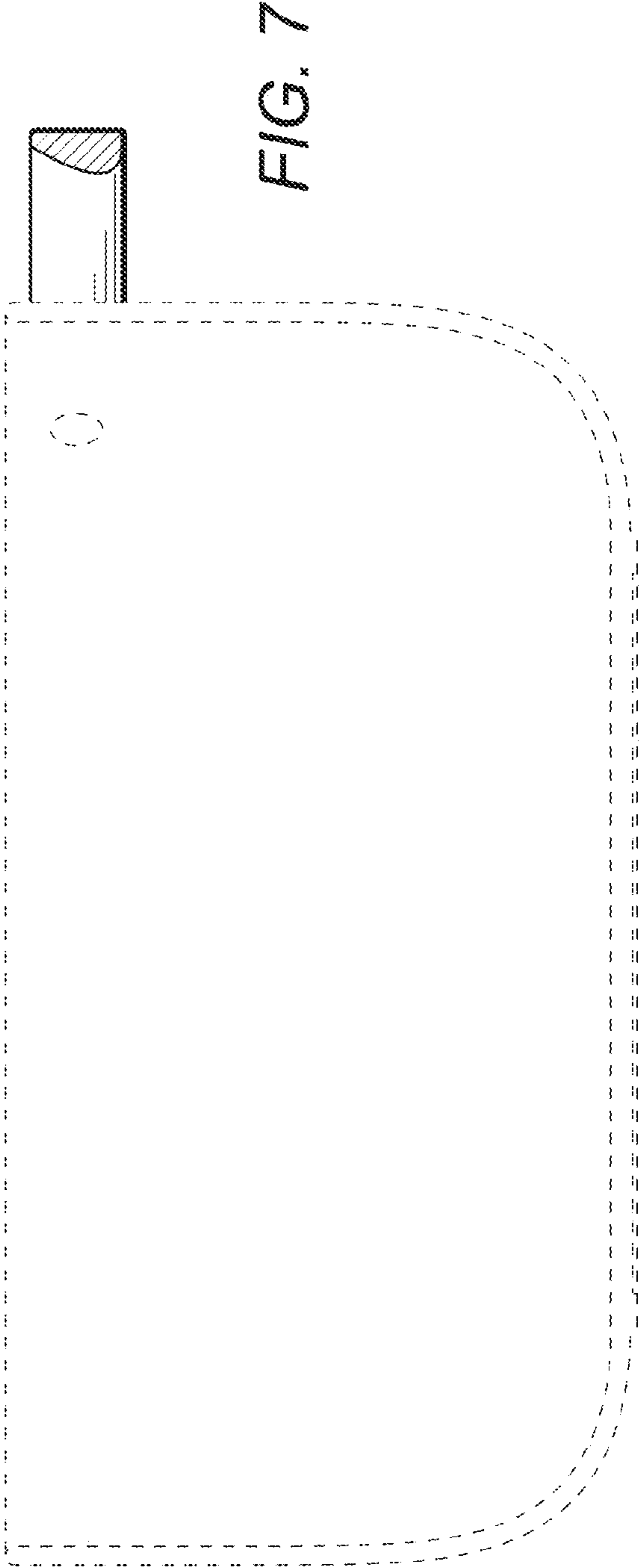
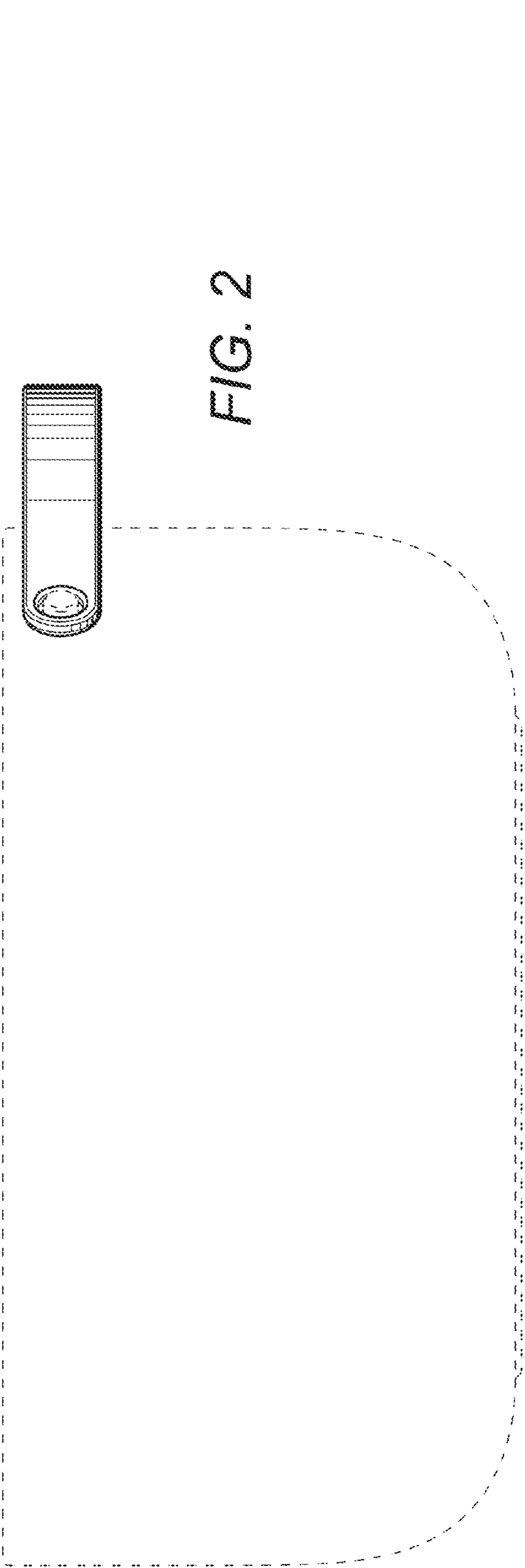




FIG. 3

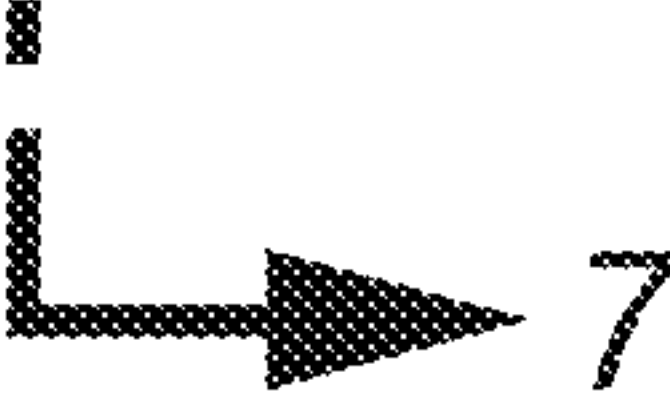
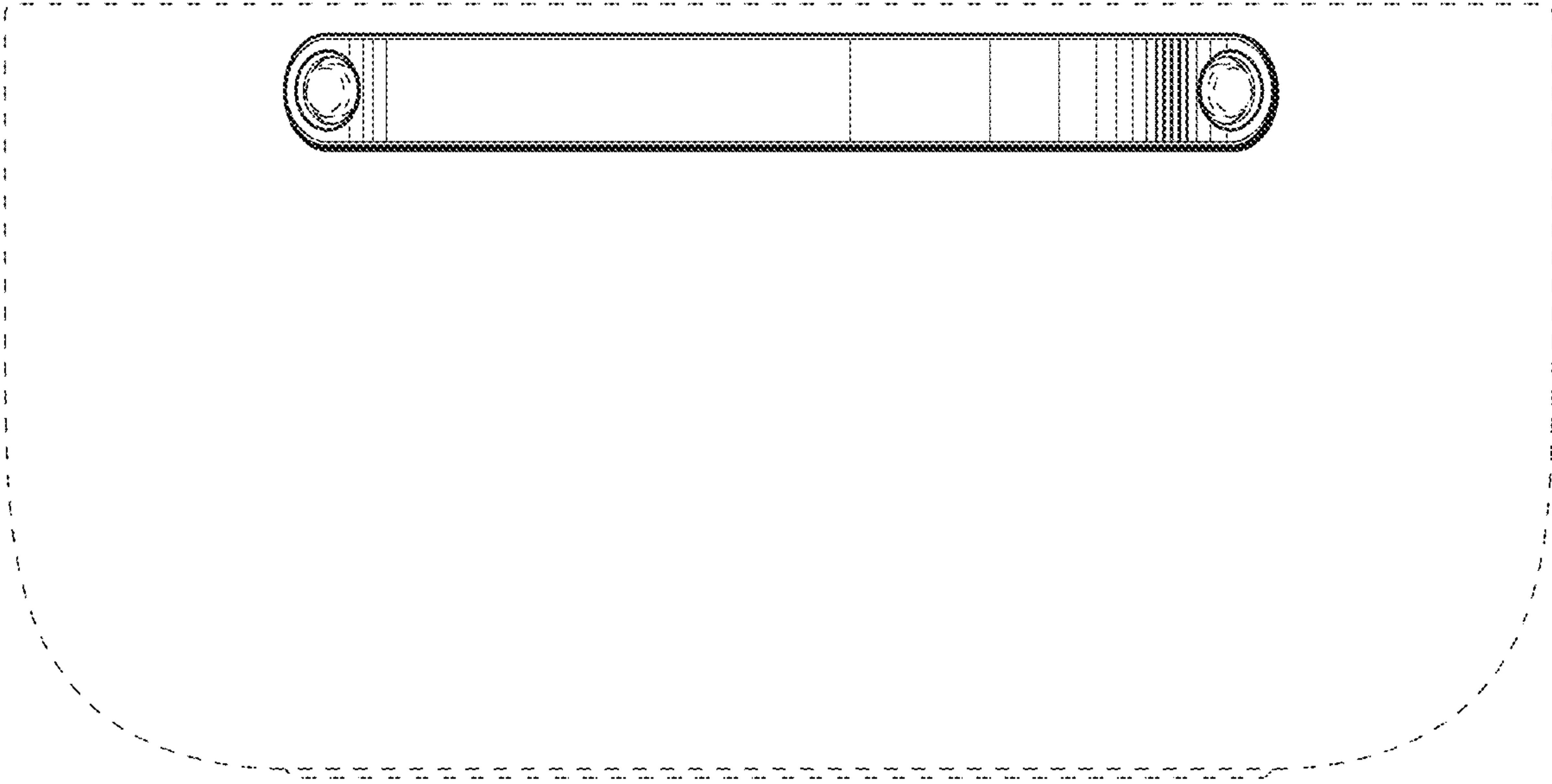
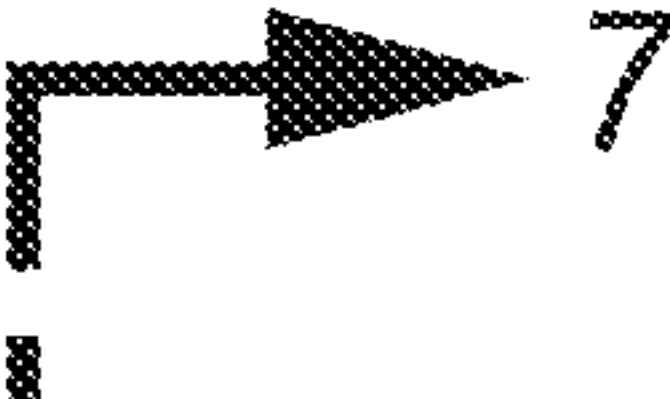


FIG. 4

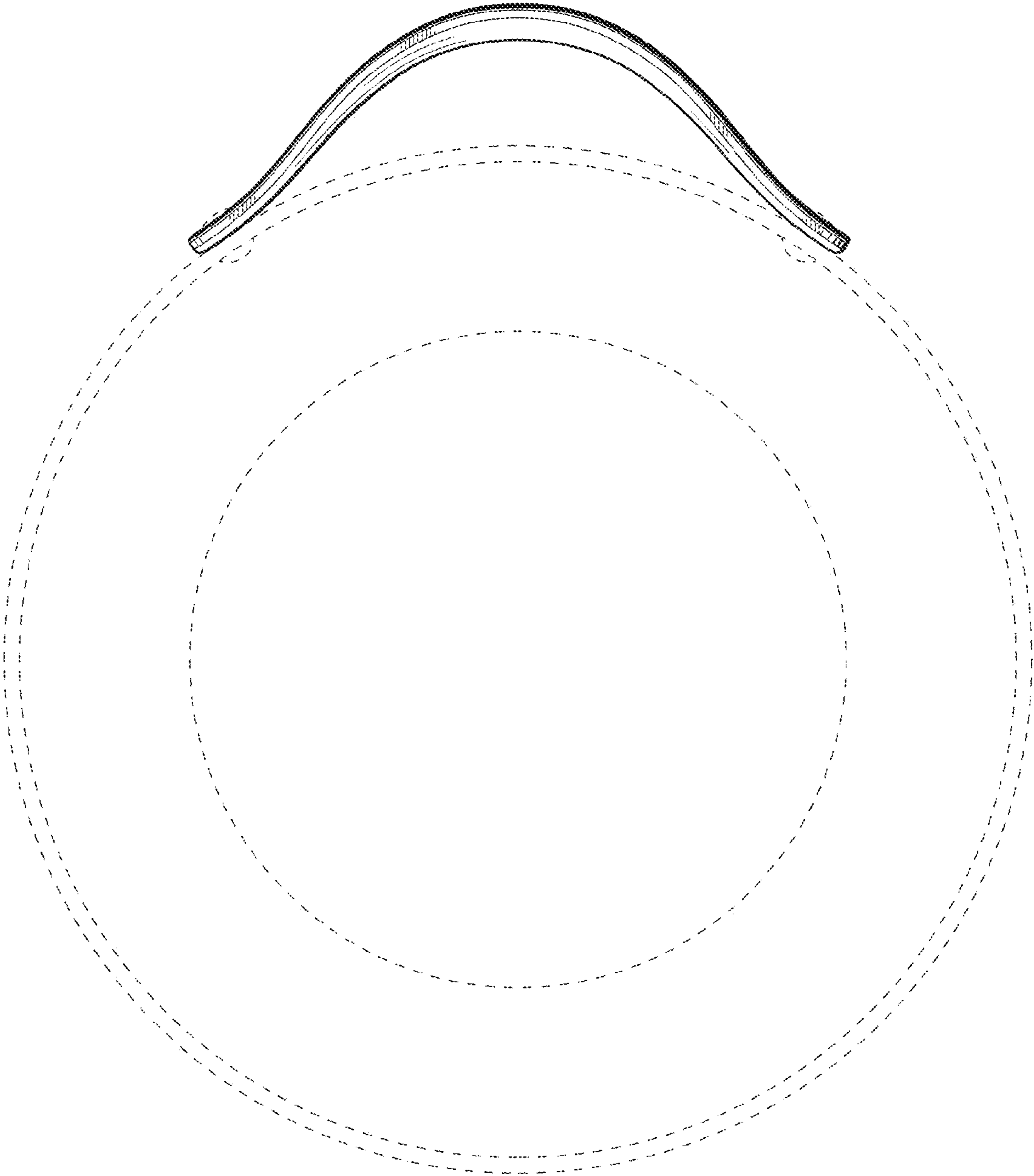


FIG. 5

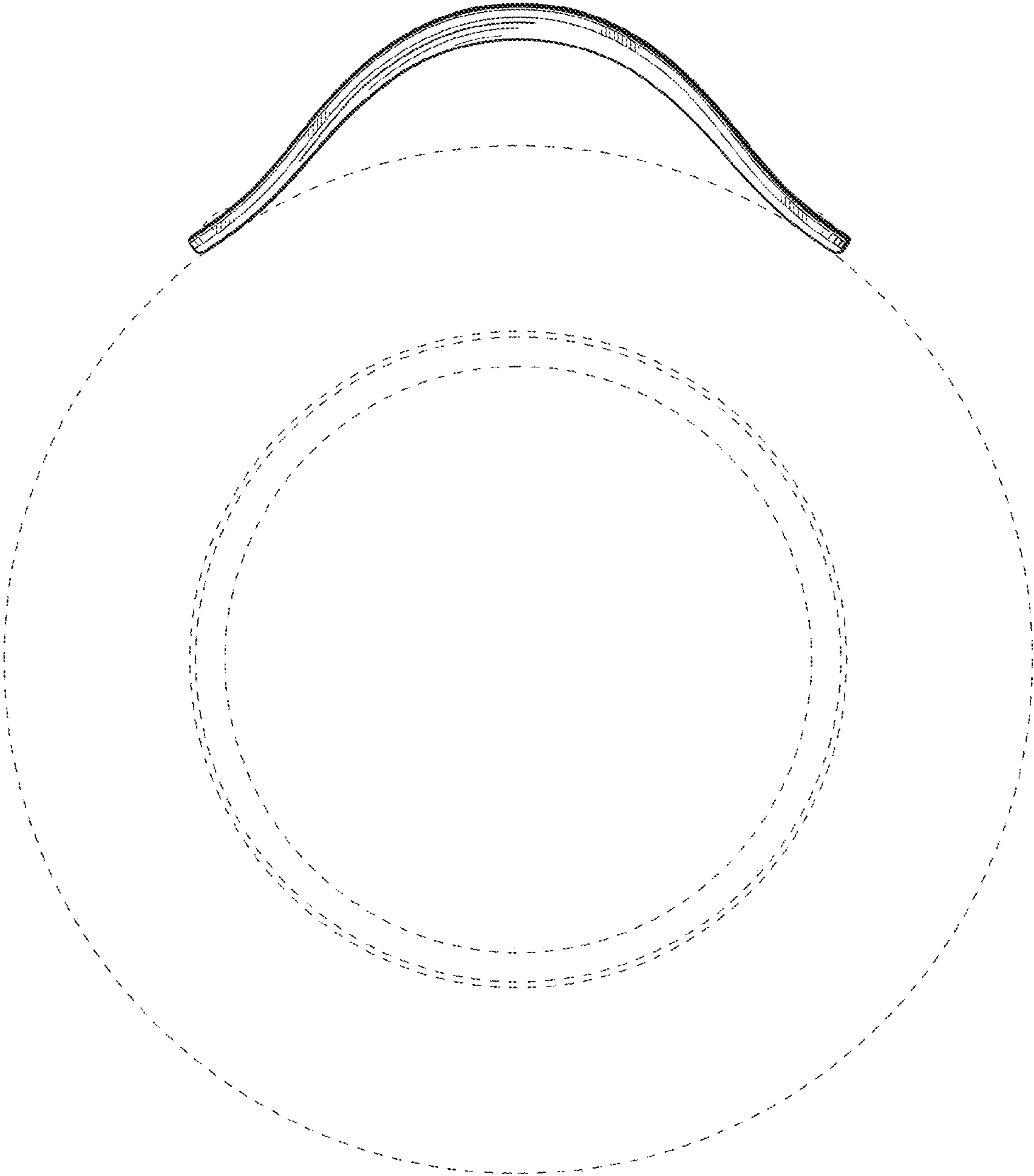


FIG. 6