



US00D918646S

(12) **United States Design Patent** (10) **Patent No.:** **US D918,646 S**  
**Ryu et al.** (45) **Date of Patent:** **\*\* May 11, 2021**

(54) **KNOB FOR OVEN RANGE**

(56) **References Cited**

(71) Applicant: **LG ELECTRONICS INC.**, Seoul (KR)

U.S. PATENT DOCUMENTS

(72) Inventors: **Inhwan Ryu**, Seoul (KR); **Hongsik Kwon**, Seoul (KR); **Suhyeon Son**, Seoul (KR)

D637,886 S *	5/2011	Bengtson .....	D8/311
D703,998 S *	5/2014	Funnell, II .....	D7/393
D722,815 S *	2/2015	Fuller .....	D7/393
D766,698 S *	9/2016	Vergin .....	D8/311
D791,567 S *	7/2017	Incukur .....	D8/311
D808,767 S *	1/2018	Kim .....	D8/311
D817,693 S *	5/2018	Kim .....	D7/346
D818,303 S *	5/2018	Kim .....	D7/340
D840,210 S *	2/2019	Kim .....	D8/311
D860,757 S *	9/2019	Kim .....	D8/311

(73) Assignee: **LG Electronics Inc.**, Seoul (KR)

(\*\*) Term: **15 Years**

(21) Appl. No.: **29/733,061**

OTHER PUBLICATIONS

(22) Filed: **Apr. 29, 2020**

Design No. 301055881.0000, Apr. 17, 2020—Korean Intellectual Property Office (KIPO) Publication Date—Apr. 24, 2020 Owner—LG Electronics Co Ltd, Designer—Ryu In-Hwan et. al. WIPO, available at <https://www3.wipo.int/designdb/en/index.jsp> (Year: 2020).\*

(30) **Foreign Application Priority Data**

Apr. 21, 2020 (KR) ..... 30-2020-0017658

(51) **LOC (13) Cl.** ..... **07-02**

\* cited by examiner

(52) **U.S. Cl.**  
USPC ..... **D7/393**

*Primary Examiner* — Mary Ann Calabrese

(58) **Field of Classification Search**  
USPC ..... D7/332–334, 337, 339–341, 346, 348, D7/349, 354, 360, 361, 391, 393–396, D7/402, 406; D8/300, 303, 310, 311, D8/315, 321; D15/89; D32/5, 6, 8, 25, D32/28

*Assistant Examiner* — Natalya M Rapundalo

CPC .. A47J 27/00; A47J 36/00; A47J 36/06; A47J 37/0623; A47J 37/0647; A47J 37/07; A47J 37/0713; A47J 37/0727; A47J 37/074; A47J 37/0763; A47J 37/10; A47J 37/101; A47J 45/06; A47J 45/061; A47J 45/062; A47J 45/063; A47J 45/068; A47J 45/07; A47J 45/071; A47J 45/072; A47J 45/074; F24B 1/00; F24B 1/191; F24B 1/20; F24C 1/00; F24C 3/00; F24C 3/002; F24C 3/008; F24C 3/02; F24C 3/04; F24C 3/042; F24C 3/047; F24C 3/06; F24C 3/062; F24C 3/067; F24C 15/16; F24C 15/168; F24C 15/26

(74) *Attorney, Agent, or Firm* — Birch, Stewart, Kolasch & Birch, LLP

See application file for complete search history.

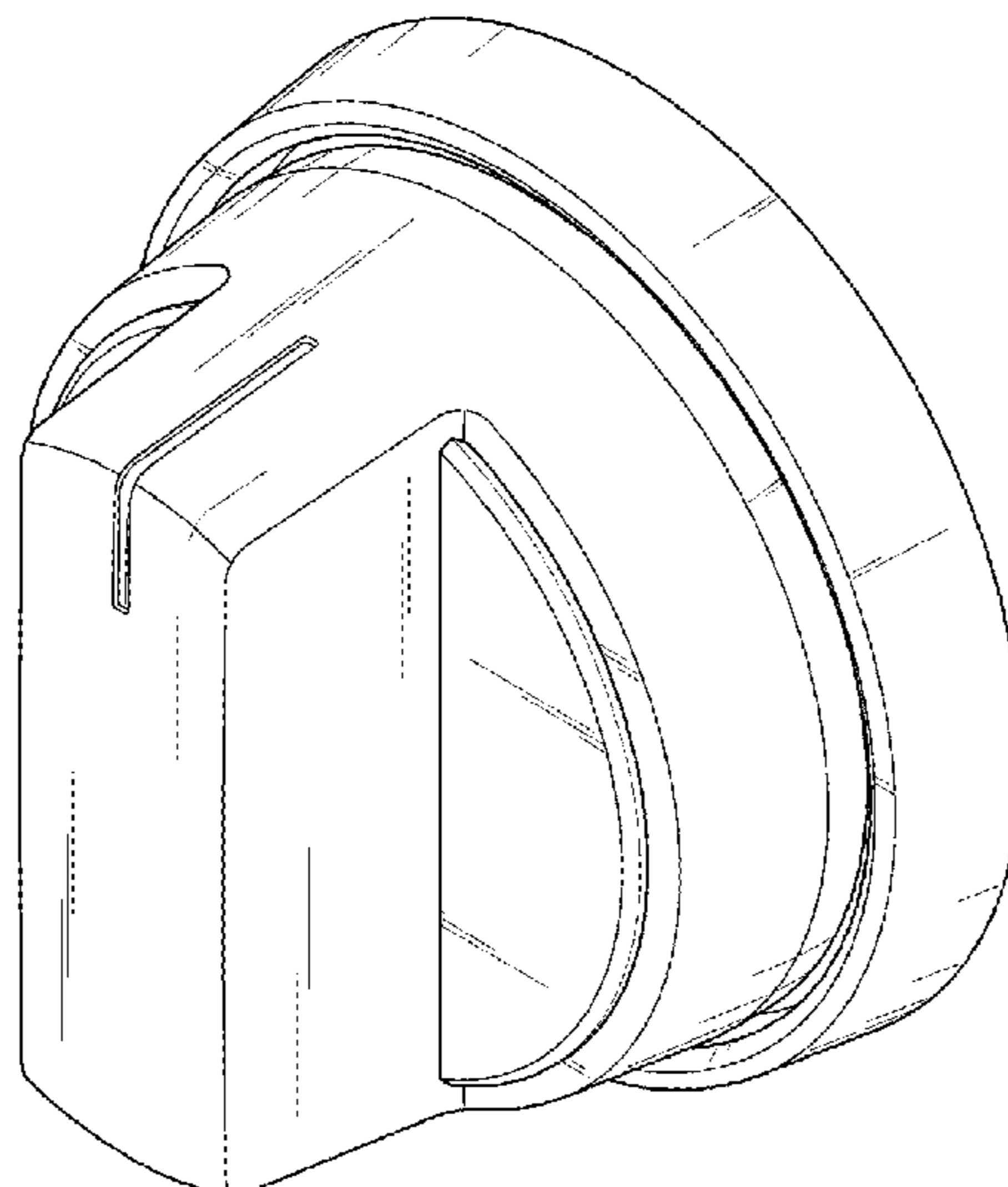
(57) **CLAIM**

We claim the ornamental design for a knob for oven range, as shown and described.

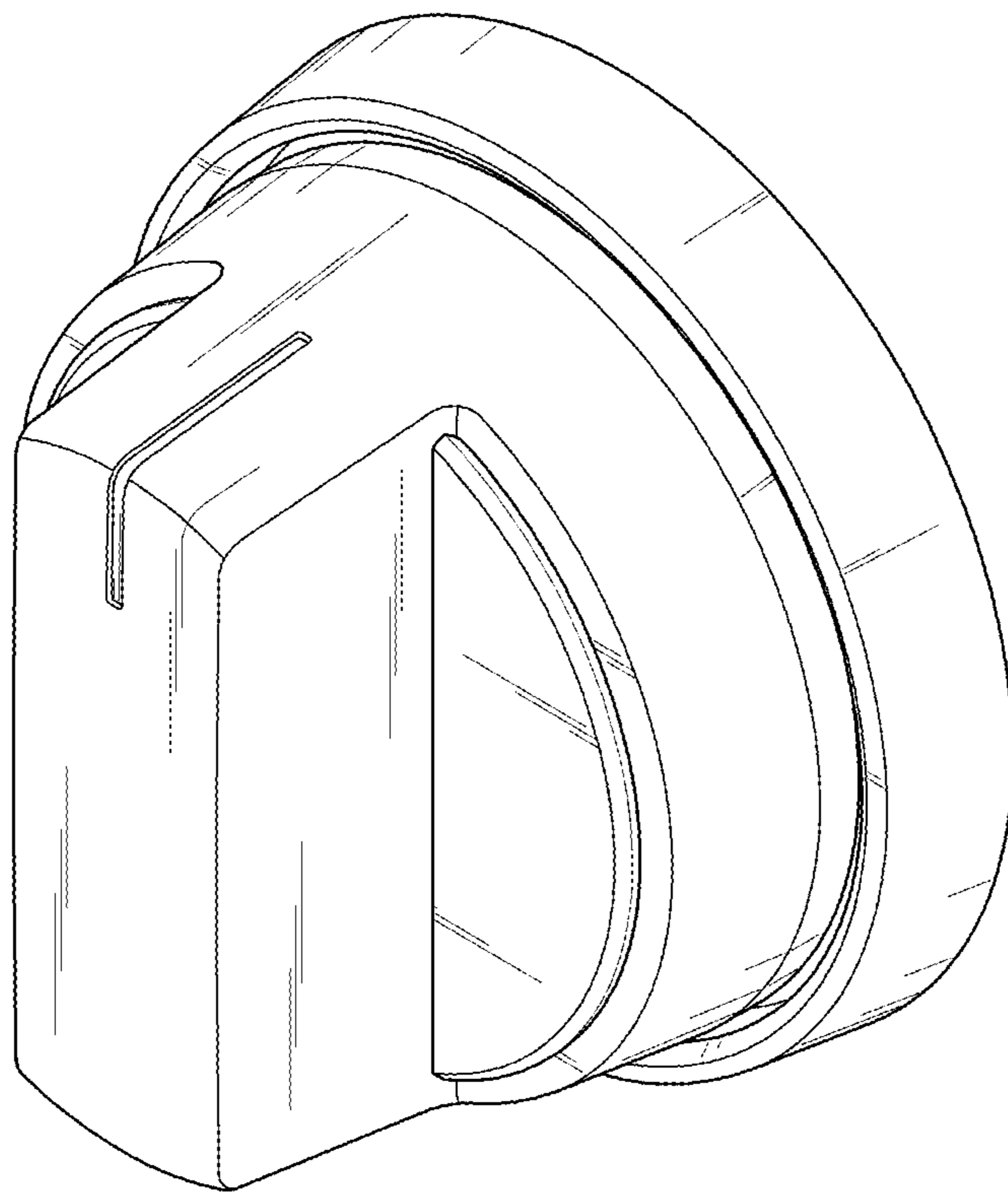
**DESCRIPTION**

FIG. 1 is a perspective view of a knob for oven range showing our new design;  
FIG. 2 is a front elevation view thereof;  
FIG. 3 is a rear elevation view thereof;  
FIG. 4 is a left-side elevation view thereof;  
FIG. 5 is a right-side elevation view thereof;  
FIG. 6 is a top plan view thereof; and,  
FIG. 7 is a bottom plan view thereof.

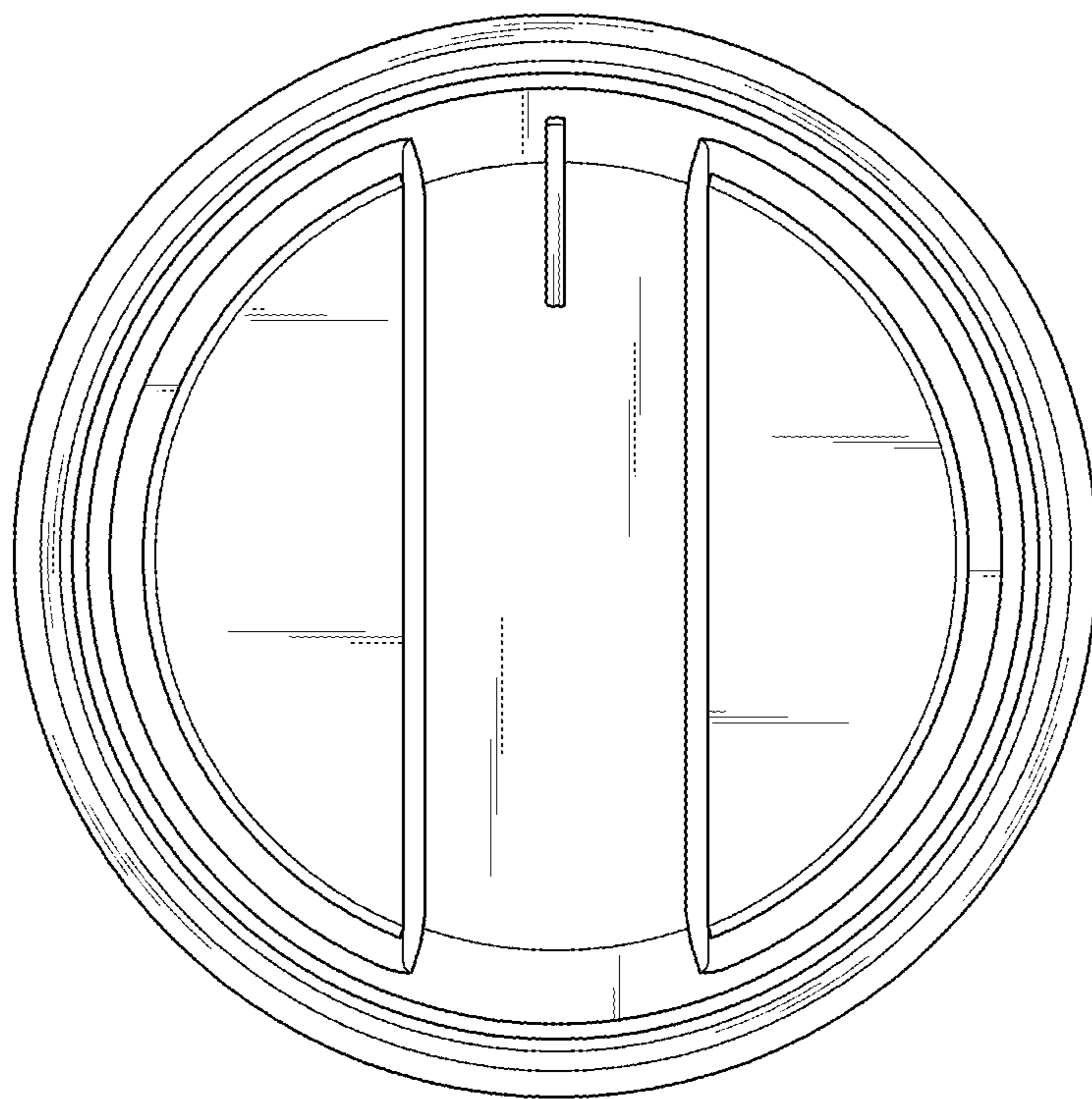
**1 Claim, 7 Drawing Sheets**



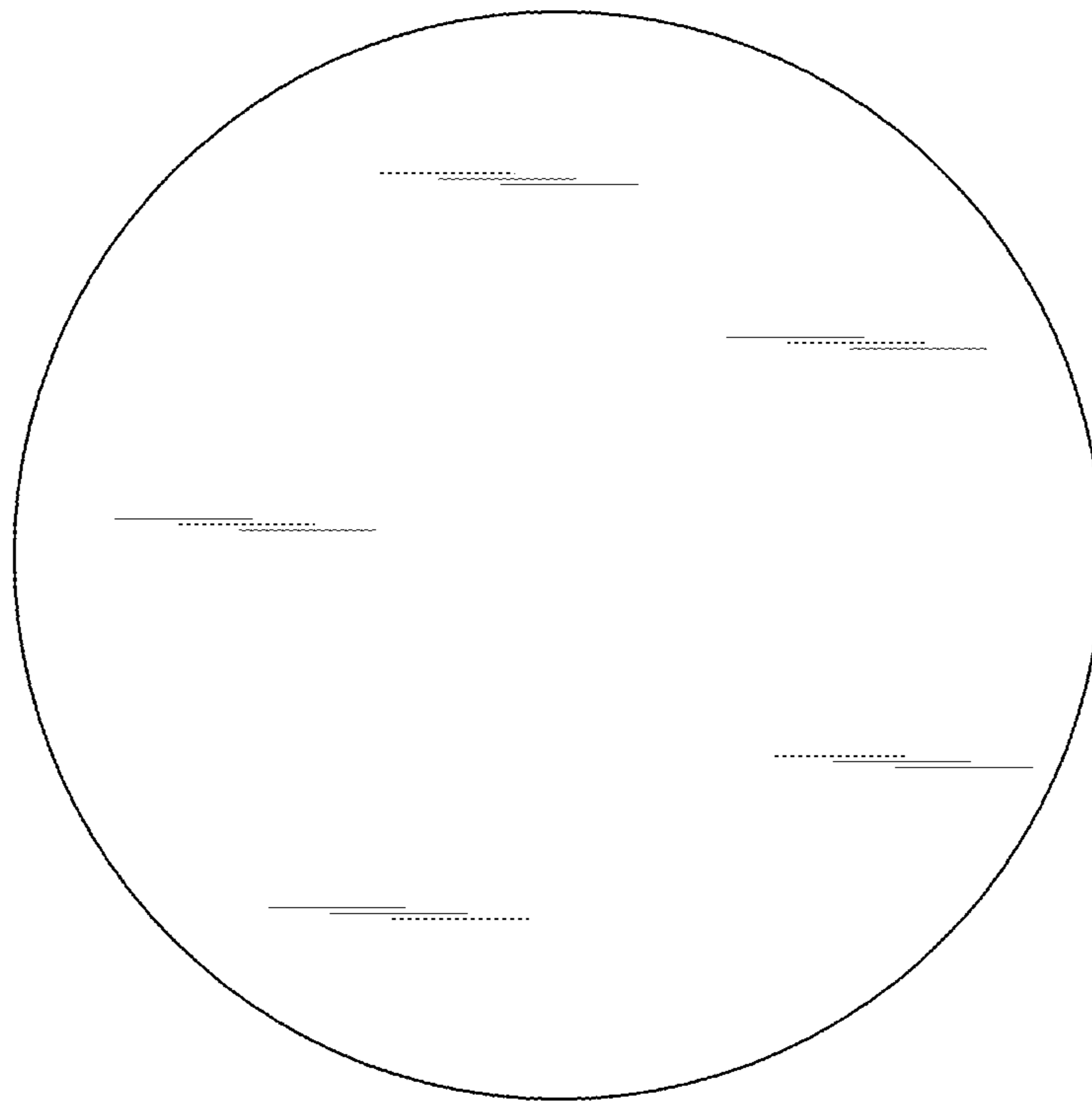
*FIG. 1*



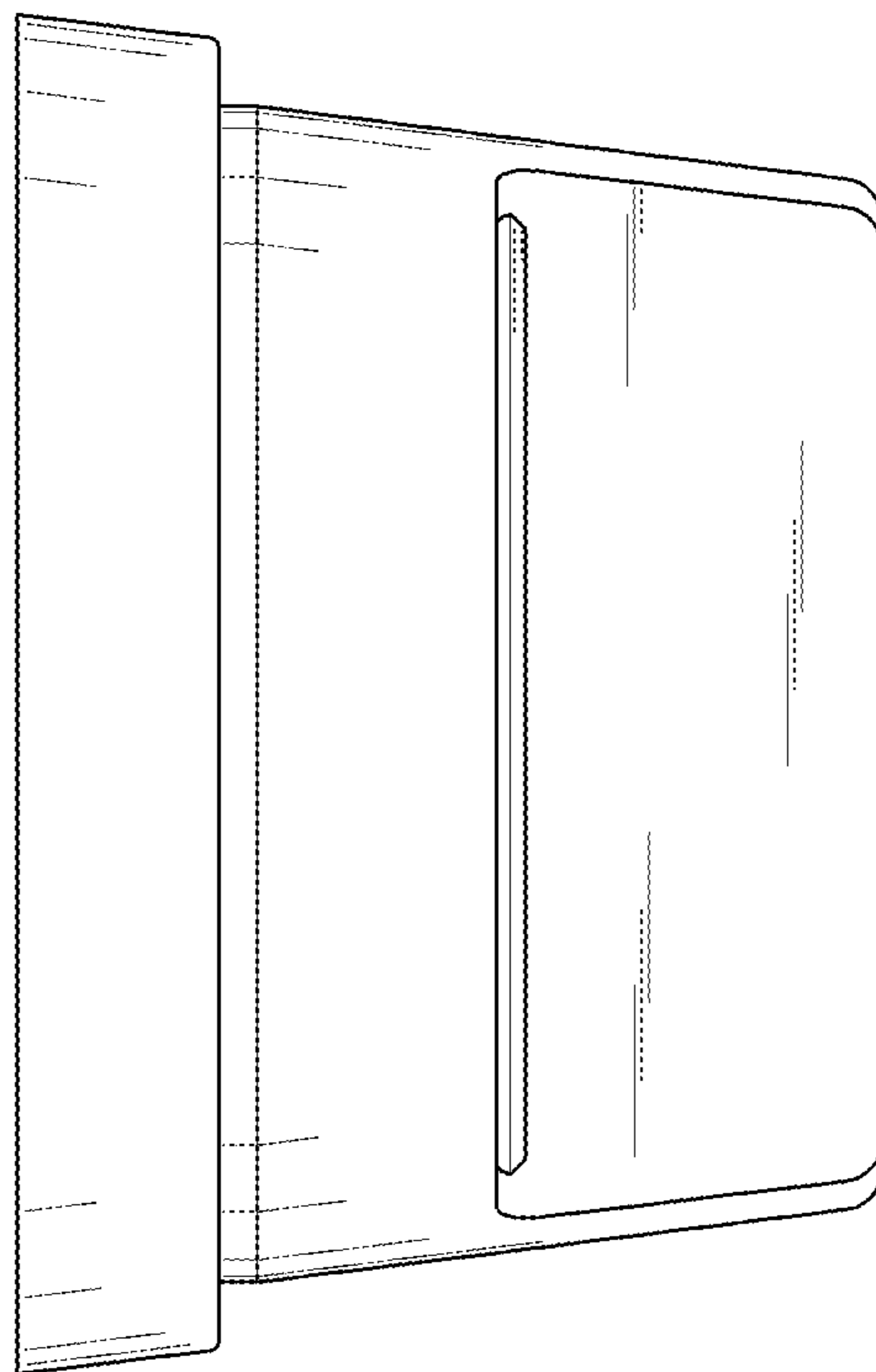
*FIG. 2*



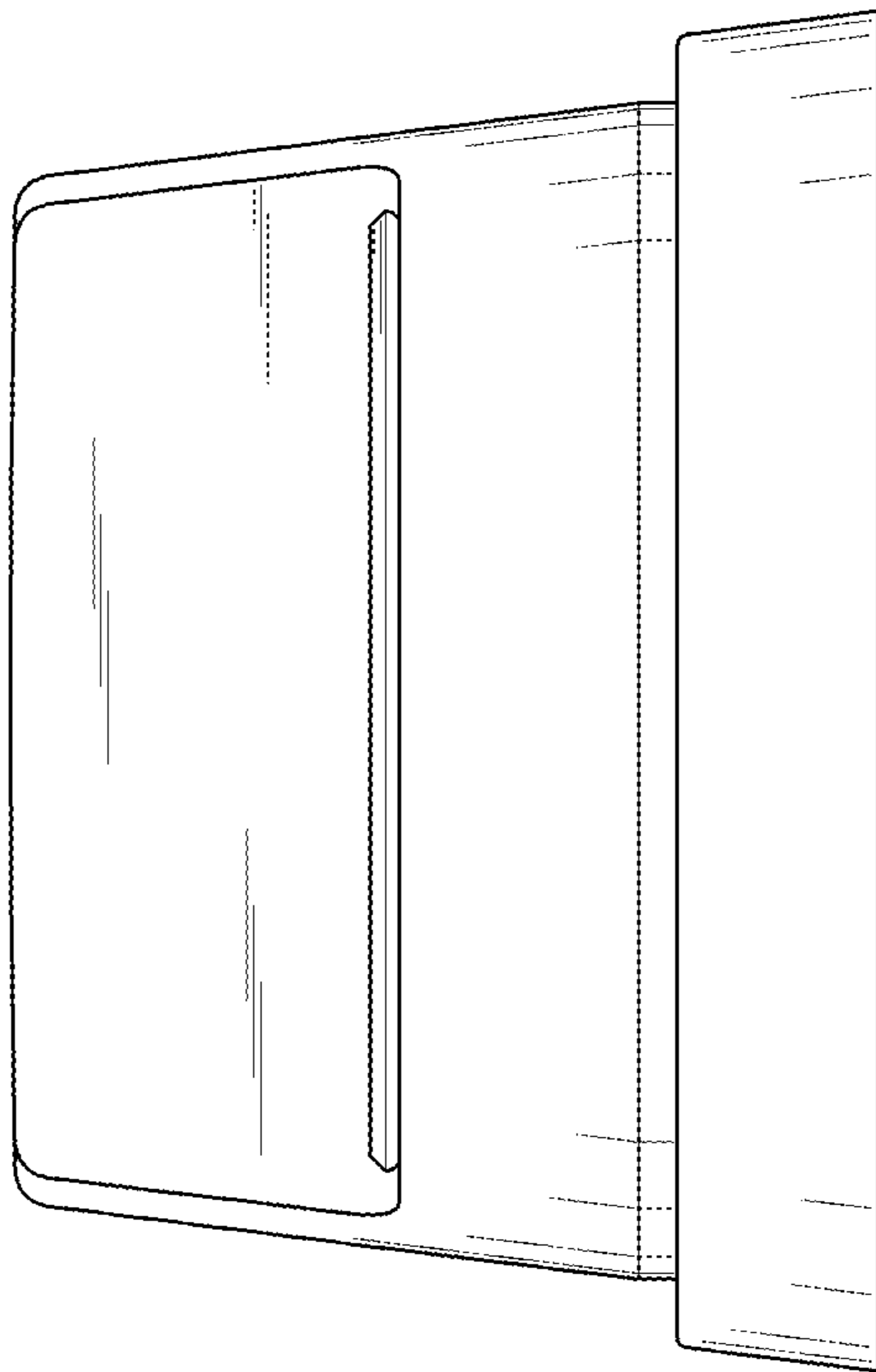
*FIG. 3*



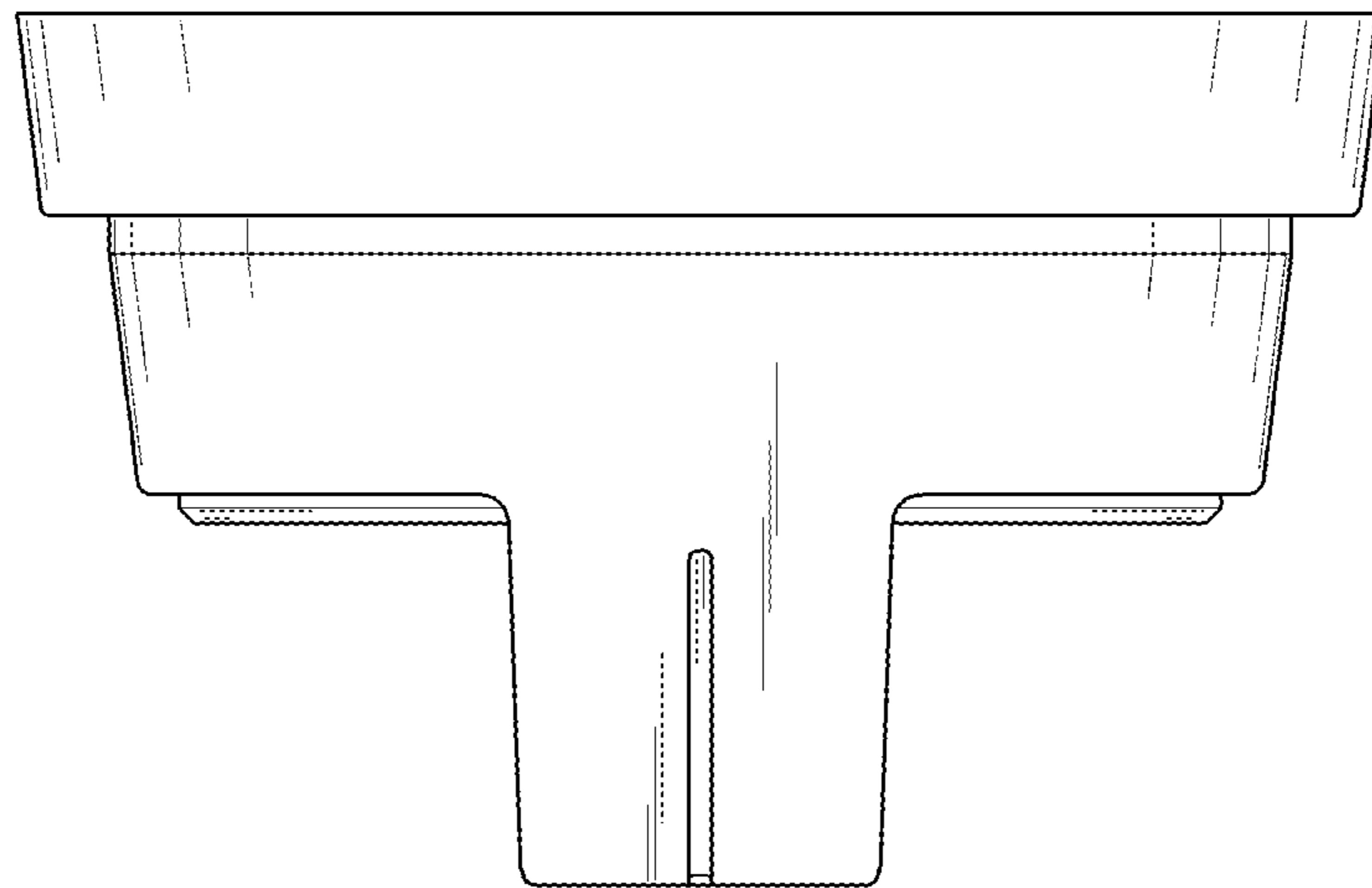
*FIG. 4*



*FIG. 5*



*FIG. 6*



*FIG. 7*

