



US00D918645S

(12) **United States Design Patent**
Swidler

(10) **Patent No.:** **US D918,645 S**

(45) **Date of Patent:** **** May 11, 2021**

(54) **ADAPTER BETWEEN A DISPOSABLE CUP AND A BLENDER**

(71) Applicant: **Brant Swidler**, New York, NY (US)

(72) Inventor: **Brant Swidler**, New York, NY (US)

(73) Assignee: **Brant Swidler**, New York, NY (US)

(**) Term: **15 Years**

(21) Appl. No.: **29/731,100**

(22) Filed: **Apr. 11, 2020**

(51) **LOC (13) Cl.** **31-00**

(52) **U.S. Cl.**
USPC **D7/378; D7/376; D7/386; D7/412;**
D7/413

(58) **Field of Classification Search**

USPC D7/372, 376-386, 412-413, 602, 629,
D7/665-666, 669, 679, 693-694
CPC A21C 1/02; A21C 1/04; A23N 1/00; A23N
1/02; A47J 43/04; A47J 43/25; A47J
43/27; A47J 43/042; A47J 43/044; A47J
43/046; A47J 43/075; A47J 43/0722;
A47J 43/0727; B01F 3/00; B01F 3/0807;
B01F 3/0853; B01F 13/0059; B01F
13/0064; B02C 1/08; B02C 2/04; B02C
4/42; B02C 4/142; B02C 4/143; B02C
4/423; B02C 13/1835; B28C 5/10; B28C
5/12; B28C 5/14; B28C 5/16

See application file for complete search history.

(56) **References Cited**

U.S. PATENT DOCUMENTS

D554,427 S	*	11/2007	Sands	D7/378
D712,196 S	*	9/2014	Ho	D7/378
D801,108 S	*	10/2017	Pan	D7/378
D832,641 S	*	11/2018	Sapire	D7/378
D833,209 S	*	11/2018	Duan	D7/378
D833,804 S	*	11/2018	Huang	D7/378
D889,191 S	*	7/2020	Finnance	D7/378
D909,134 S	*	2/2021	McConnell	D7/413

* cited by examiner

Primary Examiner — Ricky Pham

(57) **CLAIM**

The ornamental design for an adapter between a disposable cup and a blender, substantially as shown and described.

DESCRIPTION

FIG. 1 is a front perspective view of an adapter between a disposable cup and a blender showing my new design
FIG. 2 is a back-perspective view thereof,
FIG. 3 is a side view thereof, the opposite being a mirror image,
FIG. 4 is a back view thereof,
FIG. 5 is a front view thereof
FIG. 6 is a top view thereof
FIG. 7 is a bottom view thereof; and,
FIG. 8 is a side view of an adapter between a disposable cup and a blender inside of the common blender base.
The broken lines shown in the drawings are for illustrative purposes only and form no part of the claimed design.

1 Claim, 7 Drawing Sheets

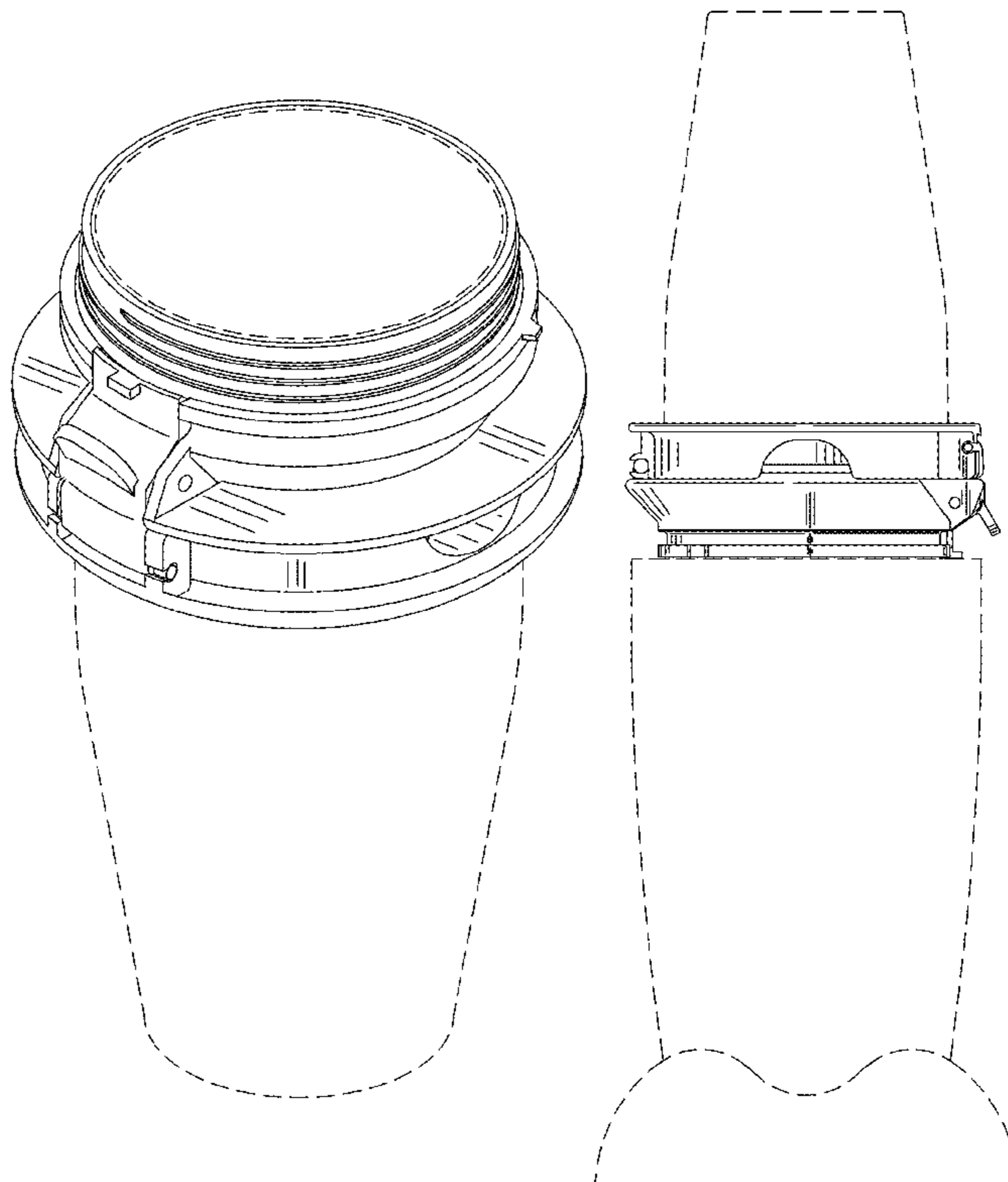


Fig. 1

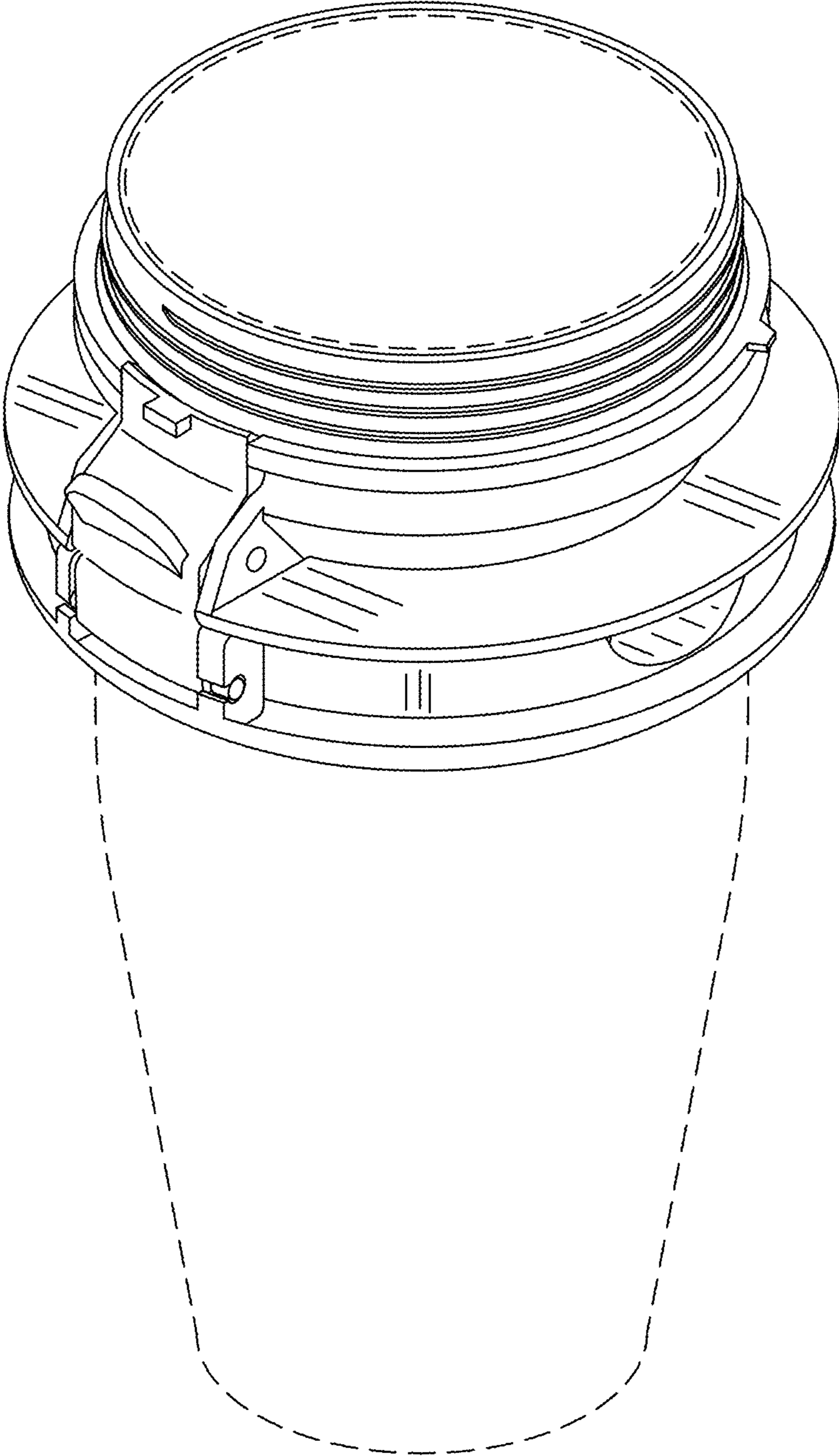


Fig. 2

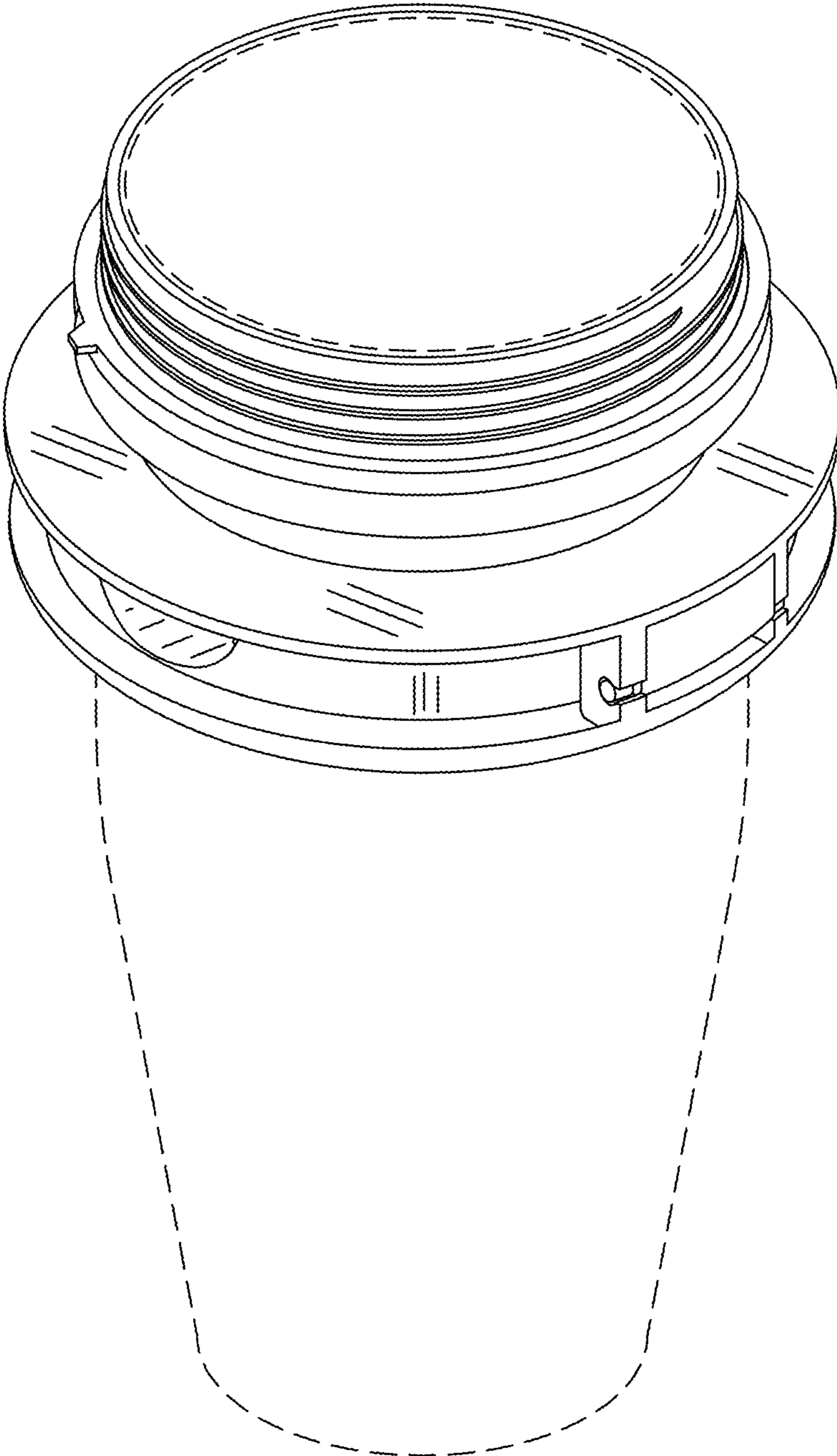


Fig. 3

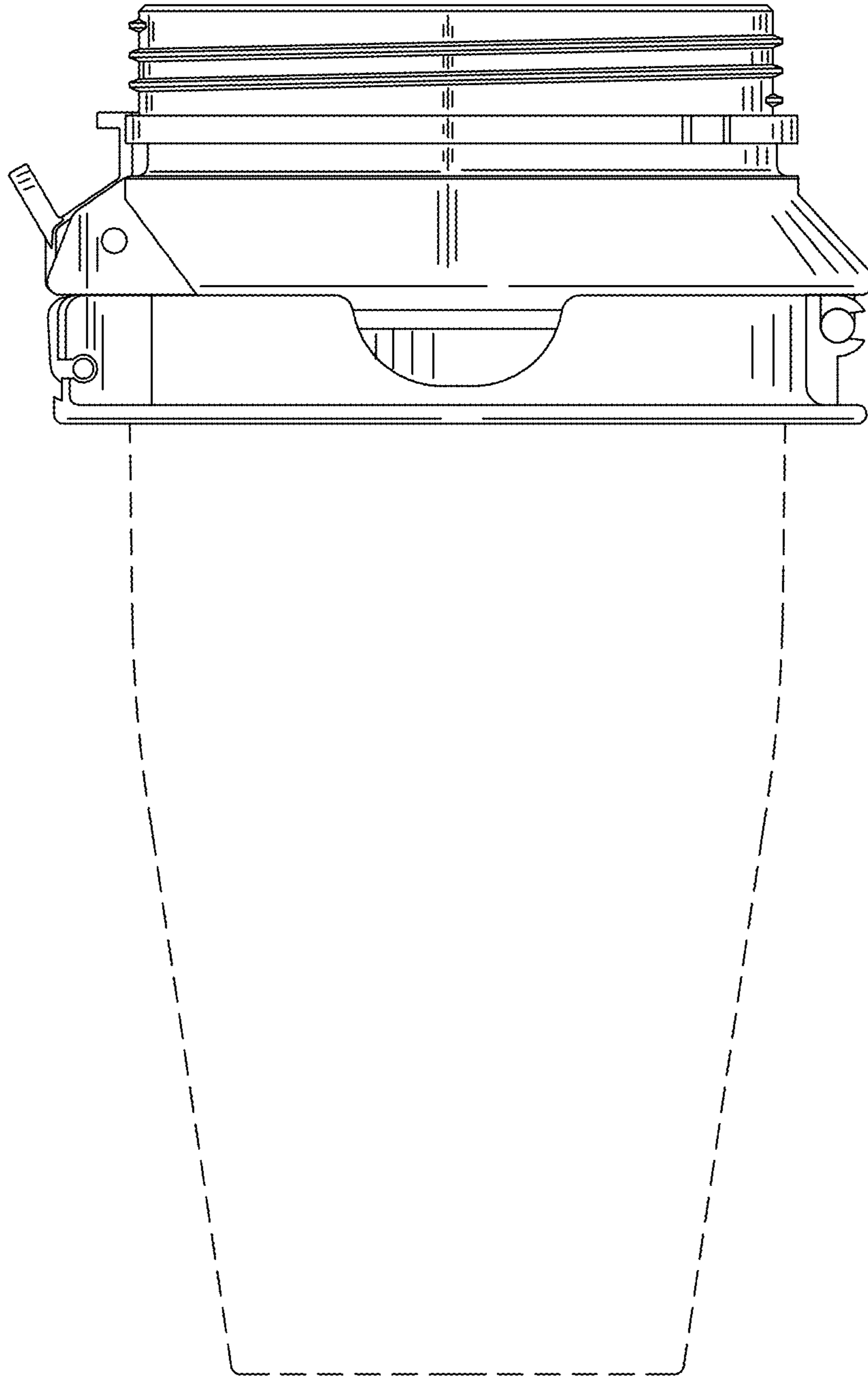


Fig. 4

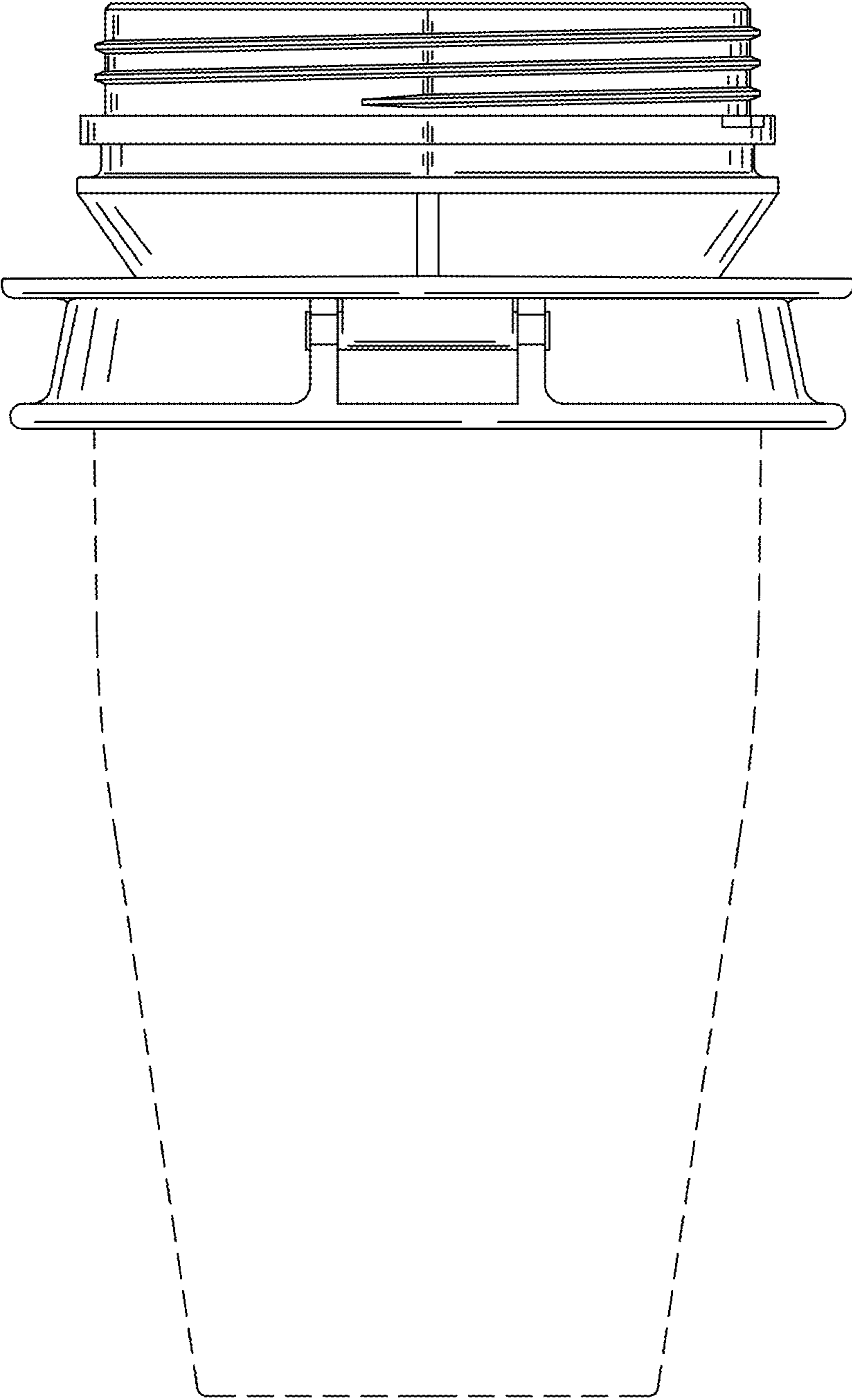


Fig. 5

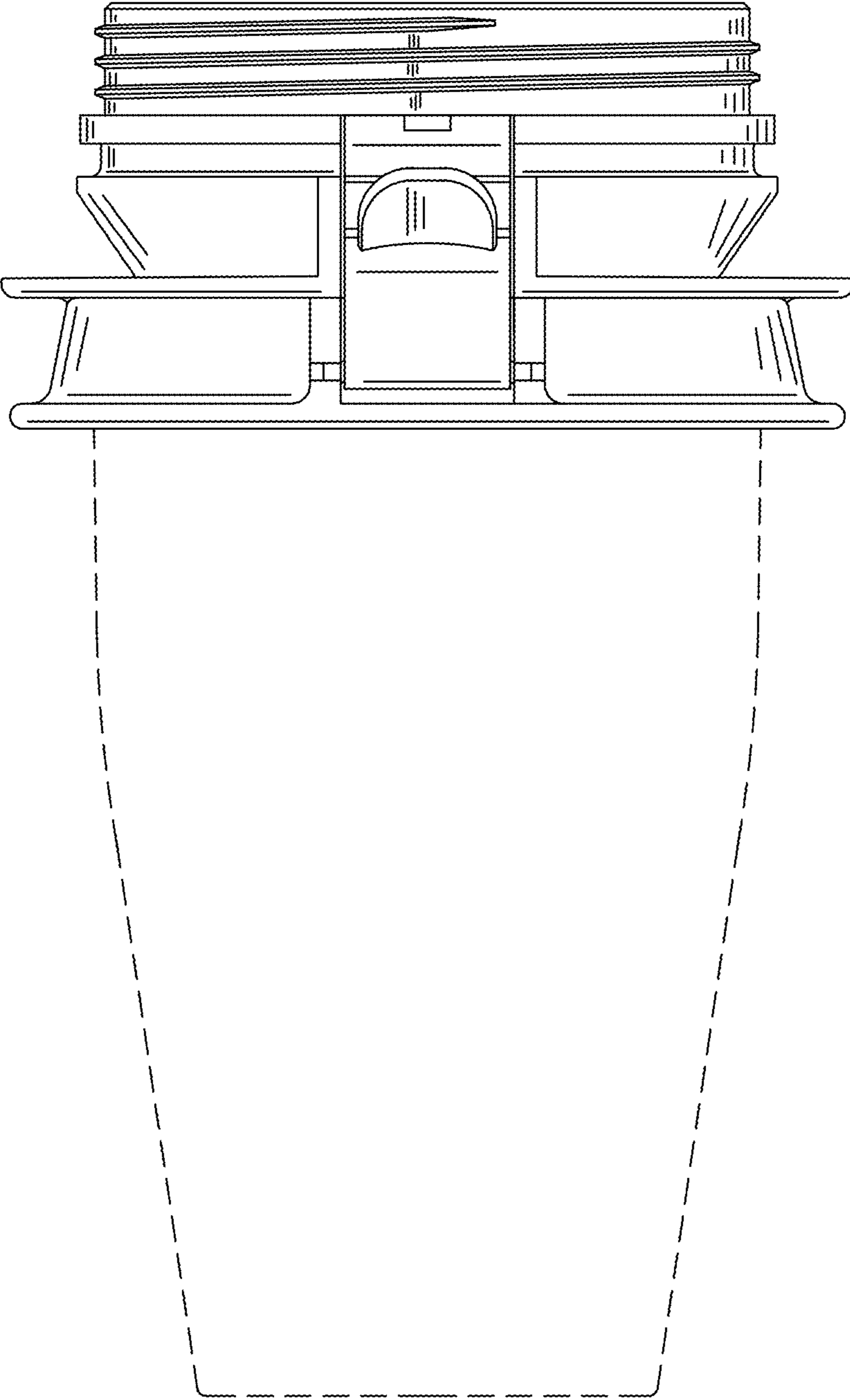


Fig. 6

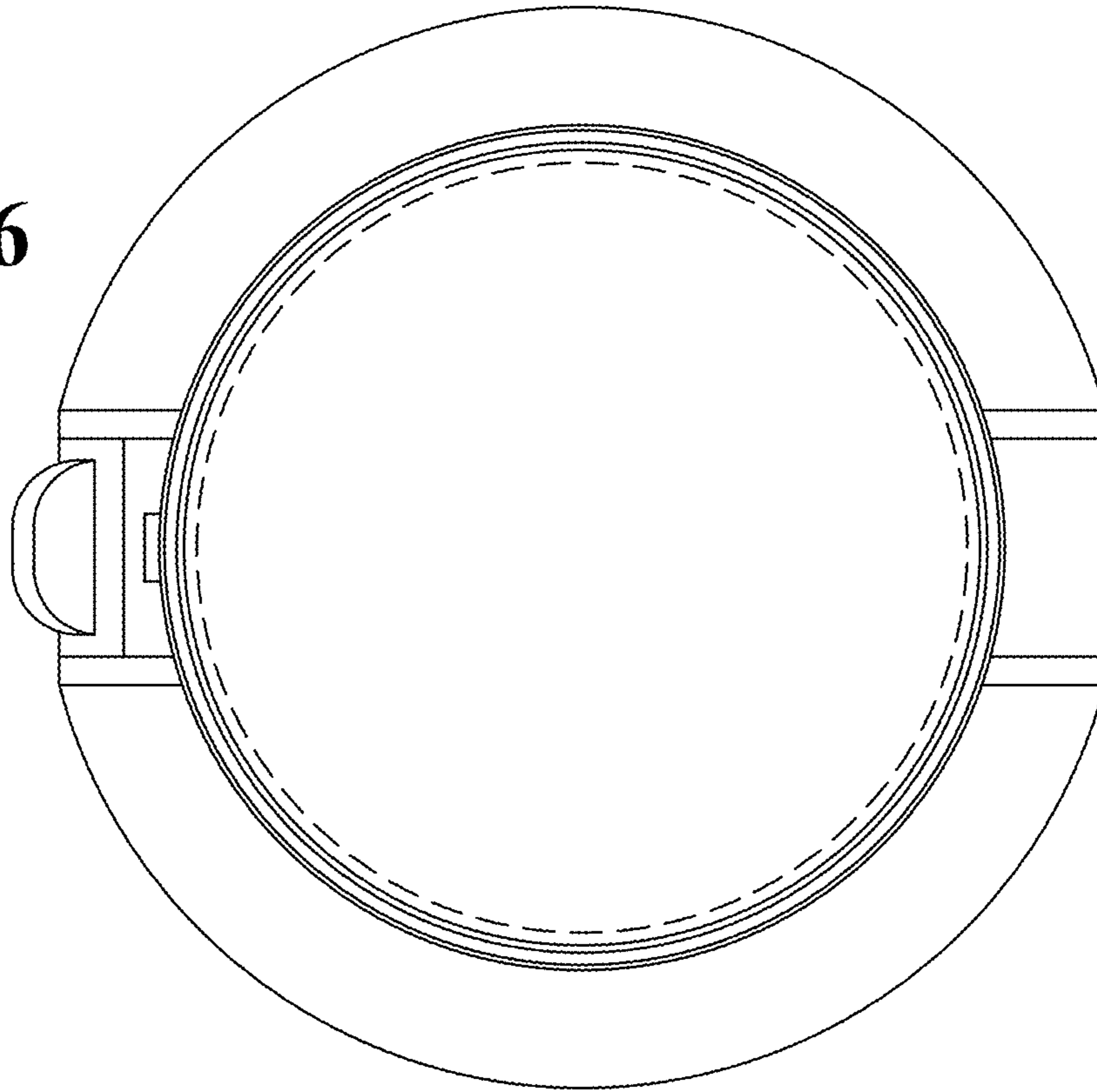


Fig. 7

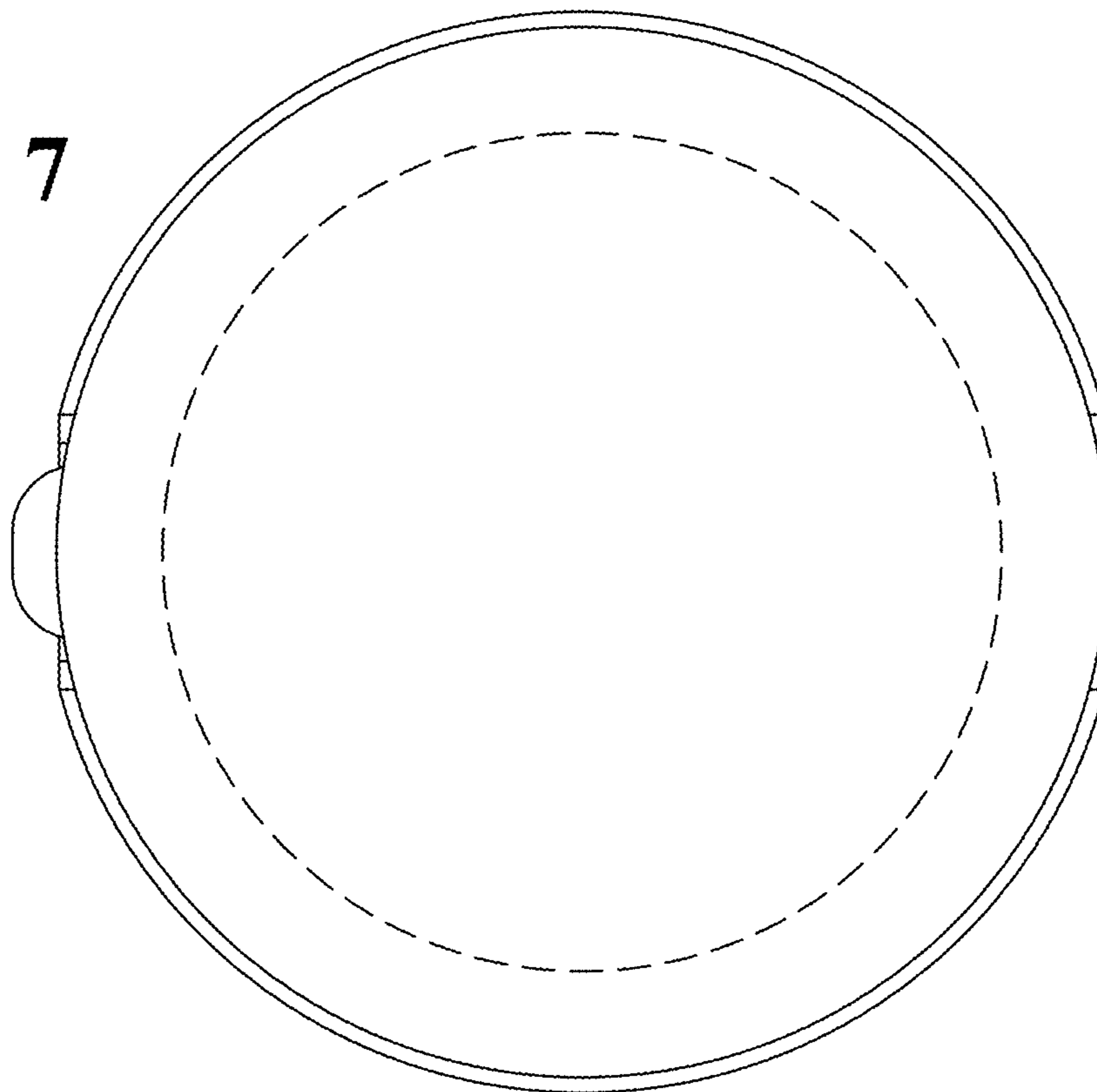


Fig. 8

